



7.3 cu. ft. Front Load Electric Dryer

MED6630H



Chrome Shadow
MED6630HC

Also available in:

White

MED6630HW

Capacity

Total 7.3 cu. ft.

General Features & Properties

Steam-Enhanced Dryer

Maytag® Commercial Technology

Sanitize Cycle

10-Year Limited Parts Warranty** on the Drive Motor and Drum

American Pride

7.3 cu. ft. Capacity

Reduce Static Option

Wrinkle Prevent Option with Steam

Wrinkle Control Cycle

Electrical Details

Hz 60

Amps 30

Volts 240

Certifications

ADA Compliant Yes

ENERGY STAR® Certified Yes

Technical Details

Drum Material Powder Coat

Fuel Type Electric

Door Style Side Swing

Reversible Door Yes

Number of Dryer Cycles 12

Selection of Drying Cycles
Bulky Items
Delicates
Heavy Duty
Normal
Quick Dry
Regular
Sanitize
Steam Refresh
Timed Dry
Towels
Whites
Wrinkle Control

Dryer Option Selections
Control Lock
Cycle Signal
Reduce Static
Steam
Wrinkle Prevent
Wrinkle Prevent w/Steam

Dimensions

Product Dimensions (H x W x D) 38-1/8" x 27" x 30-11/16"

Depth with Door Open 90° 50-11/16"

Maximum Vent Length 64'

Venting Direction Left, Right, Bottom, Rear

Ventless No

Reference Material

[Install Guide](#)

[Use & Care Guide](#)

[Warranty](#)

Key Features & Benefits

Extra Power Button

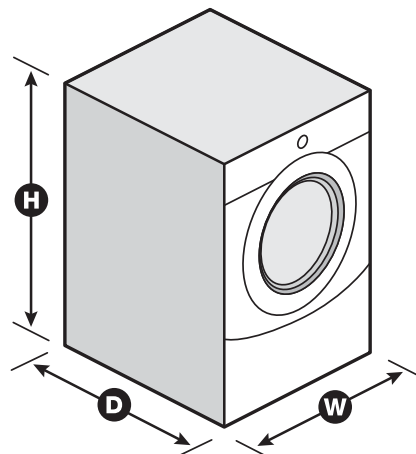
The Extra Power button boosts drying power on any cycle by extending time, heat and tumbling. One push helps prevent underdrying by getting thick fabrics, pockets and seams drier the first time.*

Advanced Moisture Sensing

Advanced Moisture Sensing monitors inside moisture and air temperatures to help evenly dry loads.

Quick Dry Cycle

Dry a small load fast with the Quick Dry cycle, which pairs nicely with the Quick Wash cycle on select Maytag® washers to get clothes ready in no time.



*Results may vary based on load size and type. **Visit maytag.com for warranty details. NOTE: Dimensions are for planning purposes only. For complete details, see Installation Instructions packed with product. Specifications subject to change without notice.