

WF45B6300AW | WF45B6300AC | WF45B6300AP

SAMSUNG

Samsung 4.5 cu. ft. Large Capacity Smart Front Load Washer with Super Speed Wash



Available Colors

-  **White**
WF45B6300AW
-  **Champagne**
WF45B6300AC
-  **Platinum**
WF45B6300AP

Features

- Super Speed Wash
- Wi-Fi Connectivity¹
- Steam
- ENERGY STAR[®] Most Efficient
- Large 4.5 cu. ft. Capacity
- Antimicrobial Technology
- Scratch-Resistant Tempered Glass Door
- Closet-Depth Fit²
- Vibration Reduction Technology+
- Swirl+ Drum Interior
- Self Clean+
- ADA Compliant³
- Accessibility (AUI, Braille)
- Stackable
- Internal Water Heater
- 1200 RPM Maximum Spin Speed
- Direct Drive Motor
- 23 Total Washing Cycles
- 9 Additional Washing Options

Specifications

23 Total Washing Cycles:

Normal, Heavy Duty, Bedding, Quick Wash, Delicates, Towels, Rinse + Spin, Self Clean+, Steam Sanitize, Steam Normal, Steam Whites, Downloads, Permanent Press, Activewear, Wool, Eco Cold, Colors, Outdoor, Denim, Steam Allergen, Power Steam, Steam Bulky, Power Rinse

9 Additional Washing Options:

Pre Soak, Steam, Delay End, Smart Control, Super Speed, Smart Care, Sound, Child Lock, Spin Only

5 Temperature Settings:

Hot, Warmer, Warm, Cool, Cold

5 Spin Settings:

High, Medium, Low, Extra Low, No Spin

5 Soil Settings:

Heavy, Heavy Medium, Normal, Medium Low, Light

Warranty

One (1) Year Parts and Labor
Three (3) Years Stainless Steel Drum (Part Only)
Ten (10) Years Direct Drive Motor (Part Only)

Product Dimensions & Weight (WxHxD)

Dimensions: 27" x 38³/₄" x 31³/₈"
Weight: 200.6 lbs

Shipping Dimensions & Weight (WxHxD)

Dimensions: 29³/₈" x 42³/₈" x 34¹/₈"
Weight: 205 lbs

Convenience

- Child Lock
- Dispenser Trays: Main Wash, Softener, Bleach

Ratings



CEE Tier 3
IMEF = 3.1
IWF = 2.9
92 kWh/yr

Electrical Requirements

120 V / 60 Hz
15 Amps

Washer	Model #	UPC Code
White	WF45B6300AW	887276627434
Champagne	WF45B6300AC	887276627403
Platinum	WF45B6300AP	887276627410

Matching Electric Dryer

White	DVE45B6300W	887276628035
Champagne	DVE45B6300C	887276628004
Platinum	DVE45B6300P	887276628011

Matching Gas Dryer

White	DVG45B6300W	887276628073
Champagne	DVG45B6300C	887276628042
Platinum	DVG45B6300P	887276628059

Optional Accessories	Model #	UPC Code
White Pedestal	WE402NW	887276310152
Champagne Pedestal	WE402NC	887276310121
Platinum Pedestal	WE402NP	887276310138
White Riser	WE272NW	887276197647
Champagne Riser	WE272NC	887276393940
Stacking Kit	SKK-8K	887276344034

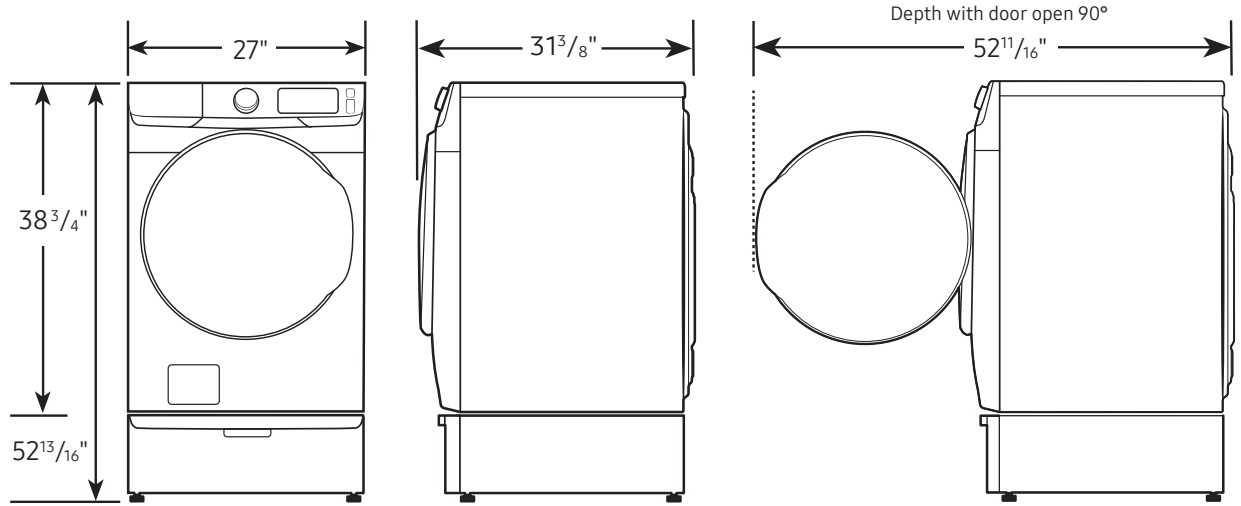
¹Requires wireless network, Samsung account and Samsung SmartThings App. The Samsung Smart Things App supports Android OS 4.0 (ICS) or later, which is optimized for Samsung smartphones (Galaxy S and Galaxy Note series). This app also supports iOS 7 or later for iPhone models. Samsung SmartThings App available in App Store and Play Store.

²Designed to fit a 39" installation depth.

³ADA Compliant when using 27" wide riser. (Riser model codes: WE272NW, WE272NC)

Samsung 4.5 cu. ft. Large Capacity Smart Front Load Washer with Super Speed Wash

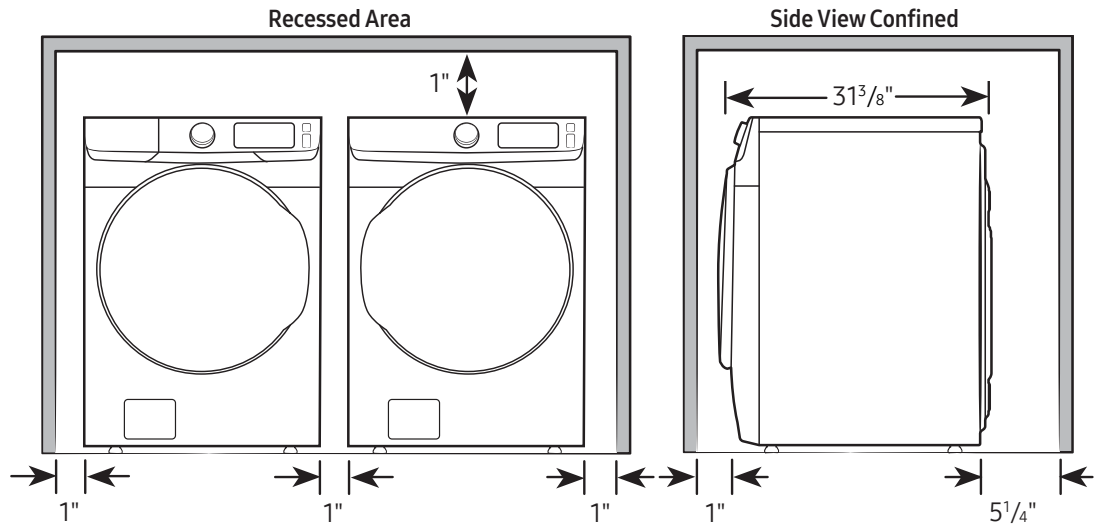
Required dimensions for installation with pedestal:



Installation Specifications – Side-by-Side

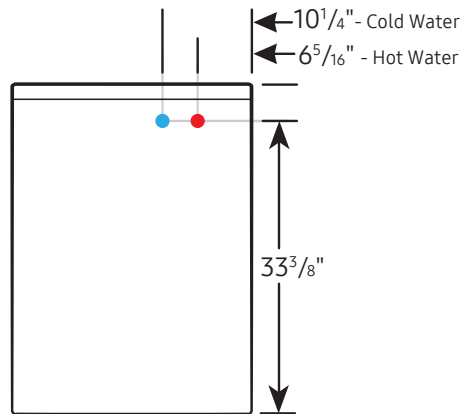
If the washer and dryer are installed together or the dryer alone, the closet front must have two unobstructed air openings for a combined minimum total area of 72-inch². Your washer alone does not require a specific air opening.

Alcove or closet installation
Minimum clearance for closet and alcove installations:



Connection Dimensions

Back view of washer



LEGEND:

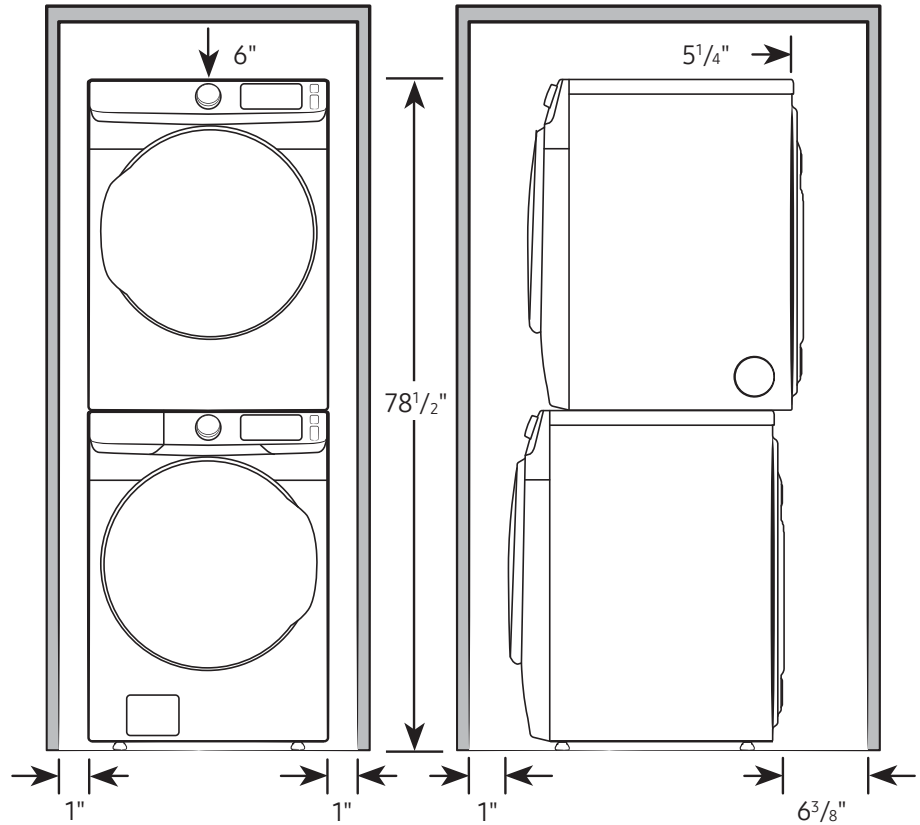
- Cold Water Connection
- Hot Water Connection

Actual color may vary. Design, specifications, and color availability are subject to change without notice. Non-metric weights and measurements are approximate.

Samsung 4.5 cu. ft. Large Capacity Smart Front Load Washer with Super Speed Wash

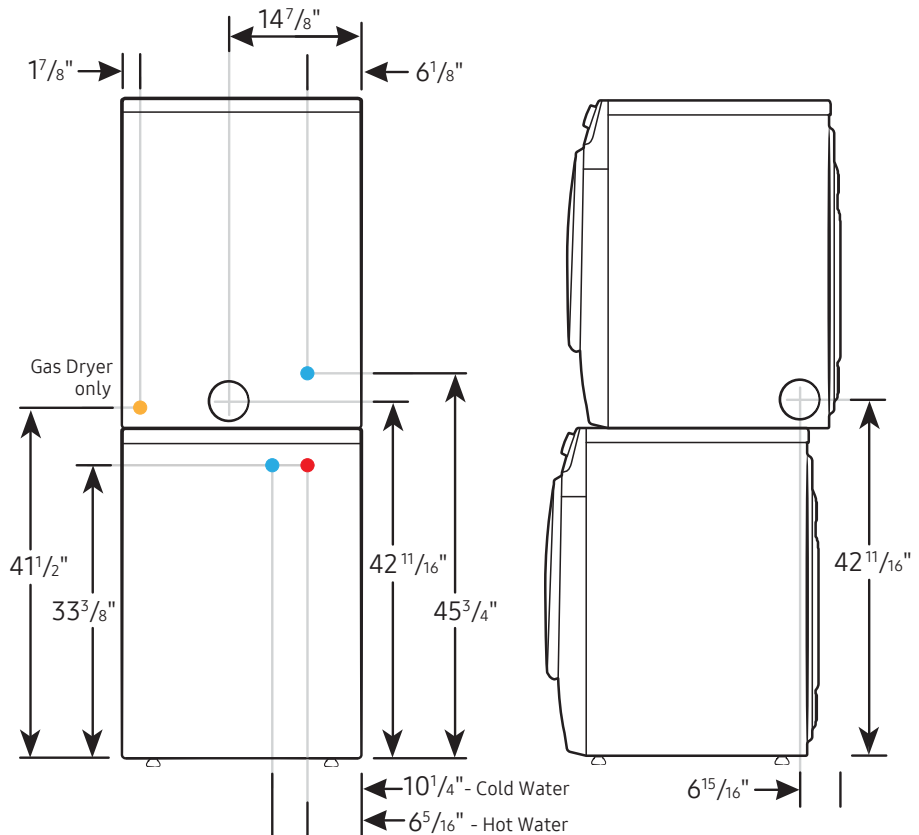
Installation Specifications – Stacked Pair

Clearances indicated are for stacked pairs. The closet front must have two unobstructed air openings for a combined minimum total area of 72-inch².



Connection Dimensions

Back and side views of stacked pair



- LEGEND:**
- Cold Water Connection
 - Hot Water Connection
 - Gas Connection

Actual color may vary. Design, specifications, and color availability are subject to change without notice. Non-metric weights and measurements are approximate.