

24" Compact Electric Air Vented Dryer

BDV7200X



KEY FEATURES

- 3.7 cu. ft. Dryer Capacity
- Child Lock
- Stack Kit Included
- Bidirectional Drum Action
- AntiCrease+ prevents wrinkles by tumbling clean clothes after cycle has finished

GENERAL

Capacity 3.7 cu. ft.	Stainless Steel
Dryer Load Capacity 15.4 lbs. (7 kg)	Push Button
Style	Front Loading
Control	Digital Display
Delay Time	Yes
Remaining Time Display	Yes
Drum Material	Galvanized Finish
Automatic Anticreasing	Yes
Child Lock	Yes
Filter Cleaning Indicator	Yes
End of Cycle Buzzer	Yes
Bidirectional Drum Action	Yes

PROGRAMS

Number of Programs	15
Cottons / Normal	Yes
Perm Press	Yes
Heavy Duty	Yes
Mixed Fabric	Yes
Sanitize	Yes
Timed Dry (High Temperature)	Yes
Timed Dry (Low Temperature)	Yes
Air Fluff	Yes
Wool	Yes
Towel	Yes
Wrinkle Free	Yes
Delicates	Yes
Sportswear	Yes
Bedding	Yes
Quick Dry	Yes

ACCESSORY

Stacking Kit	Included (2992100300)
--------------	-----------------------

FINISHES

Cabinet	White
Door Rim	Silver
Cycle Selector Knob	Black

TECHNICAL FEATURES

Voltage / Frequency	208-240 V / 60 Hz
Rated Current Amps	10 Amp
Plug	4-pin, 208-240 V
Pairs with	Beko Washer: BWM7200X

ENVIRONMENTAL STANDARDS

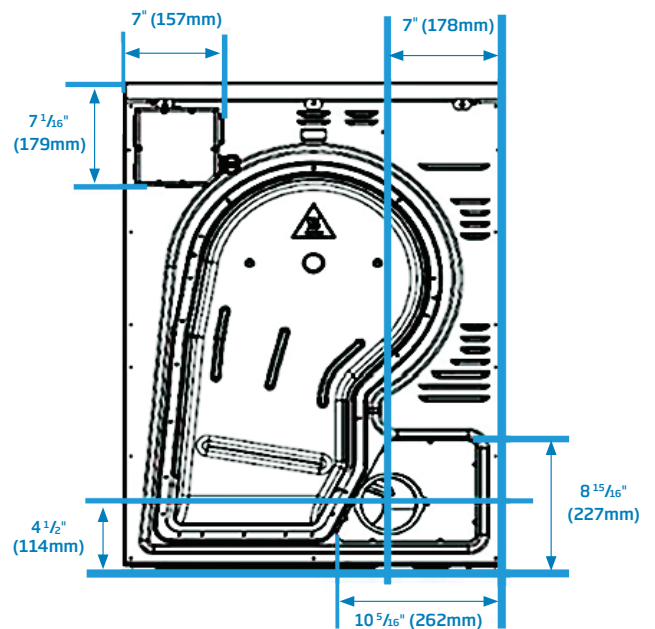
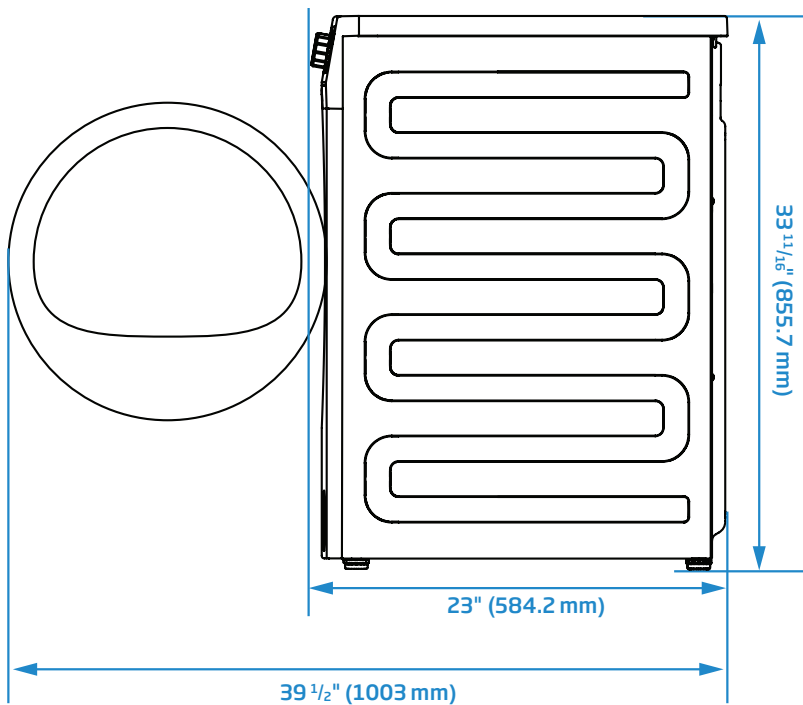
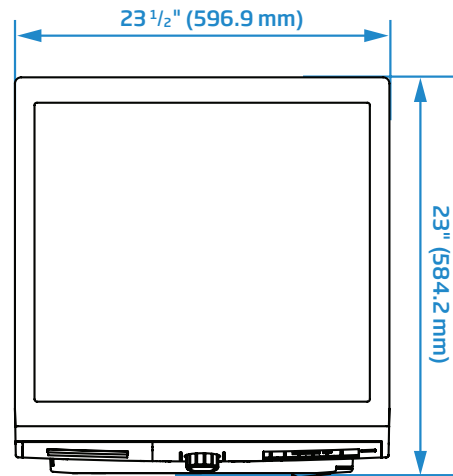
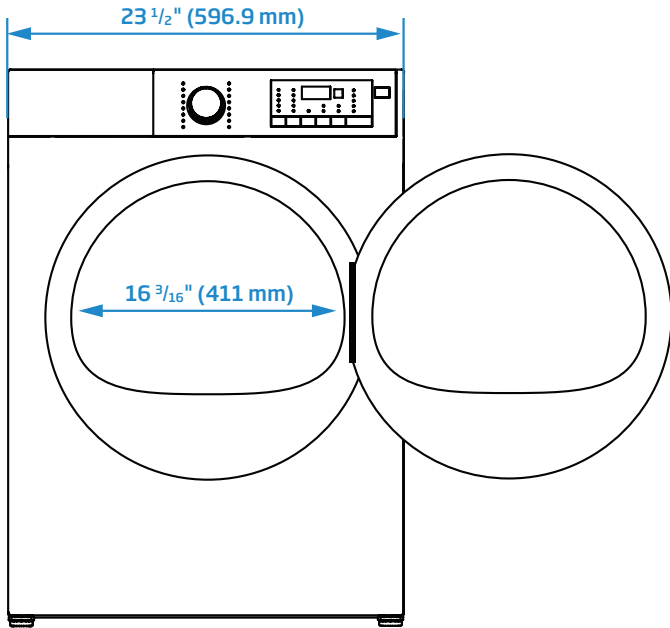
ENERGY STAR® Qualified	Yes
------------------------	-----

DIMENSIONS

Dimensions (H x W x D)	33 ¹¹ / ₁₆ " x 23 ¹ / ₂ " x 23" (85.6 x 59.7 x 58.4 cm)
Packed Dim. (H x W x D)	35 ¹ / ₄ " x 26 ³ / ₁₆ " x 24 ⁷ / ₁₆ " (89.5 x 66 x 62 cm)
Product Weight	73.85 lbs. (33.5 kg)
Packed Weight	81.6 lbs. (37 kg)

24" Compact Electric Air Vented Dryer

BDV7200X



Required Minimum Air Gap Clearance:

6 1/4" (159 mm) Top

1/2" (13 mm) Sides

4" (102 mm) Back



NOTE TO THE INSTALLER: All height, width, and depth dimensions are shown in inches (as well as metric). Beko U.S., Inc. reserves the absolute and unrestricted right to change product materials and specifications, at any time, without notice. Please visit our website, www.BekoAppliances.com, or call 888.352.2356 to verify the latest specifications with final dimensional data and other details prior to installation and making a cutout. Applicable product limited warranty information may be found in accompanying product materials, or you may contact your account manager for further details. Proper installation is the responsibility of the installer. Product failure due to improper installation is not covered under the Limited Warranty.

888.352.BEKO(2356) | BekoAppliances.com

©2020 Beko U.S., Inc. 03/24/20

beko