

HPIN48HS

48-INCH LOW PROFILE ISLAND HOOD

PROFESSIONAL SERIES



FEATURES & BENEFITS

- Three fan speeds
- Built-in 'Clean Filter' reminder light illuminates after 40 hours of operation
- Delayed shut-off tackles lingering odors for up to 10 minutes
- Dishwasher-safe frameless filters with stainless steel covers
- Filter systems are highly efficient at capturing grease

ACCESSORIES (OPTIONAL)

25 ft. Blower Connector Cable - EXTNCB25

For use with the following Inline and Remote Blowers:
VTR630P, VTR1030P, VTR1330P, VTI610P, VTI1010P

Roofplates

RFPLT600P - For use with 600 CFM Remote Blower VTR630P

RFPLT1000P - For use with 1000 CFM Remote Blower
VTR1030P and 1300 CFM Blower VTR1330P

GENERAL PROPERTIES

Operating Mode	Ducted
Maximum CFM	Blower Sold Separately
Number of Speed Settings	3-Stage
Motor Location	N/A
Number Of Lights	4
Bulb Type	20 W - G4 Base
Total Power Of The Lamps (W)	80 W
Damper Included	Yes
Grease Filter Material	Washable Stainless Steel
Grease Filter Type	Multilayer Cassette

TECHNICAL DETAILS

Watts (W)	80 W
Current (A)	10 A
Volts (V)	120 V
Frequency (Hz)	60 Hz
Plug Type	120V-3 Prong
Power Cord Length	51 2/16"

DIMENSIONS & WEIGHT

Overall Appliance Dimensions (Width Of Canopy Included) (HxWxD) (in)	30 3/8" - 41 3/8" / x 47 1/4" x 27 1/2"
Height Of The Chimney (in)	28 3/8" - 39 7/16"
Minimum Ceiling Height Required	97 3/16"
Required Distance Above Cooktop / Range Cooking Surface	30" / 30"
Diameter of Air Duct (in) Top	6"
Net Weight (lbs)	101 lbs

ACCESSORIES (REQUIRED)

Blower (Sold Separately)

BLOWER OPTIONS

Remote Blowers (Mounted to Roof or External Wall)	VTR630P - 600 CFM
	VTR1030P - 1000 CFM
	VTR1330P - 1300 CFM
Inline Blowers (Mounted Between Kitchen and External Wall)	VTI610P - 600 CFM
	VTI1010P - 1000 CFM

WARRANTY

Limited Warranty Parts And Labor	2 Year
----------------------------------	--------

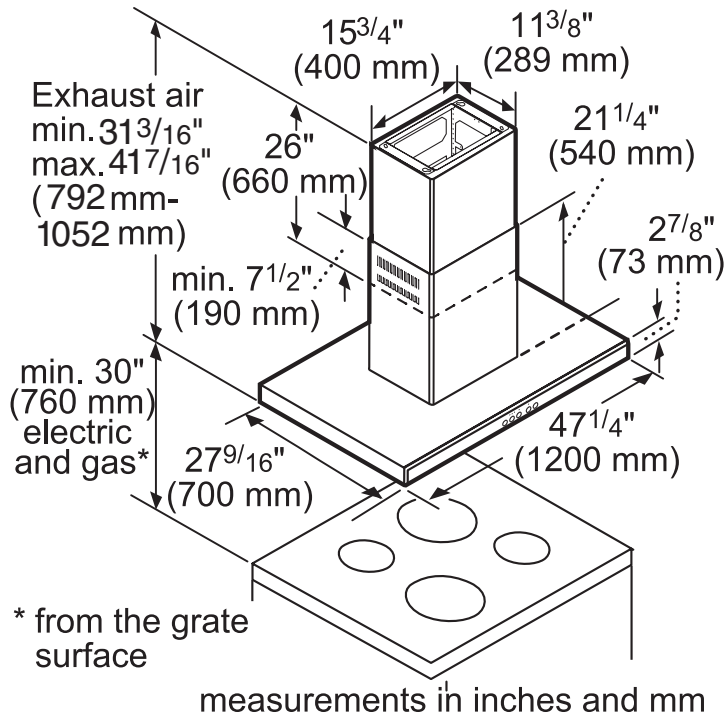
HPIN48HS

48-INCH LOW PROFILE ISLAND HOOD

PROFESSIONAL SERIES

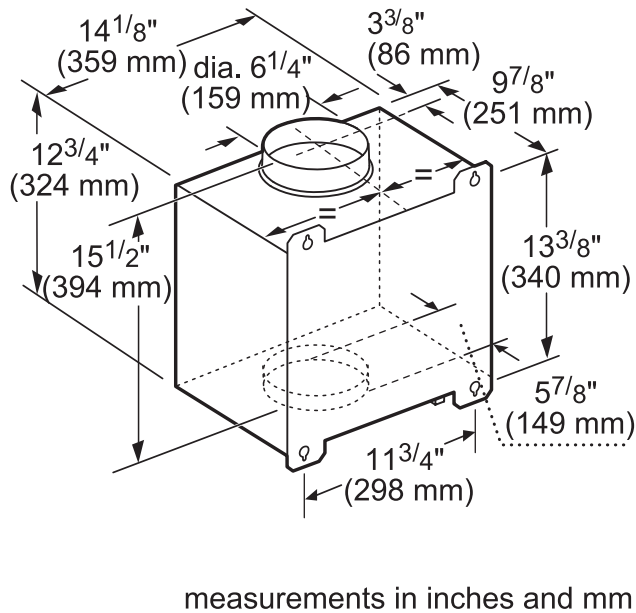


HOOD DIMENSIONS

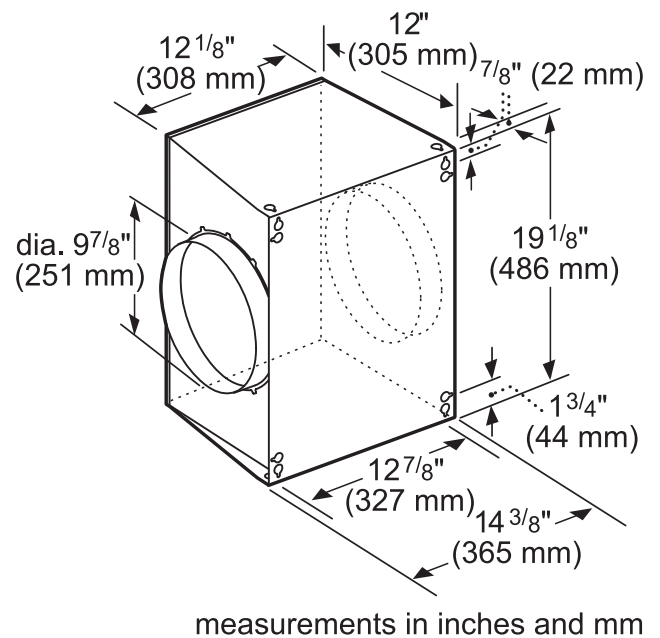


INLINE BLOWERS (MOUNTED BETWEEN KITCHEN AND EXTERNAL WALL)

VTI610P-600 CFM



VTI1010P-1000 CFM



HPIN48HS

48-INCH LOW PROFILE ISLAND HOOD

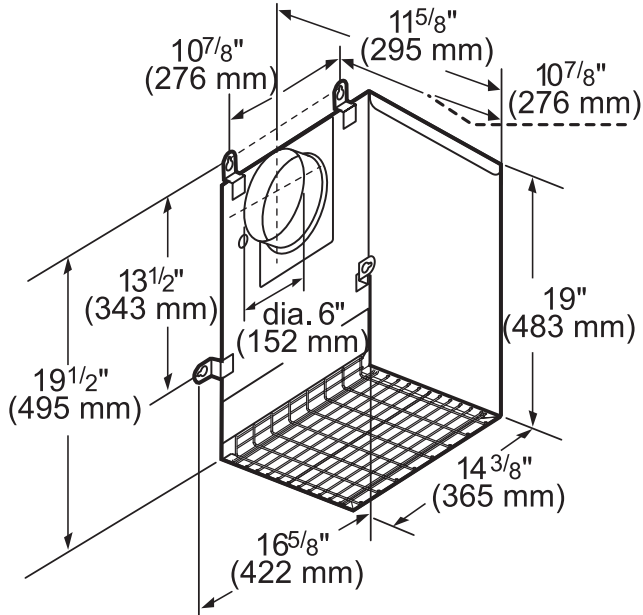
PROFESSIONAL SERIES



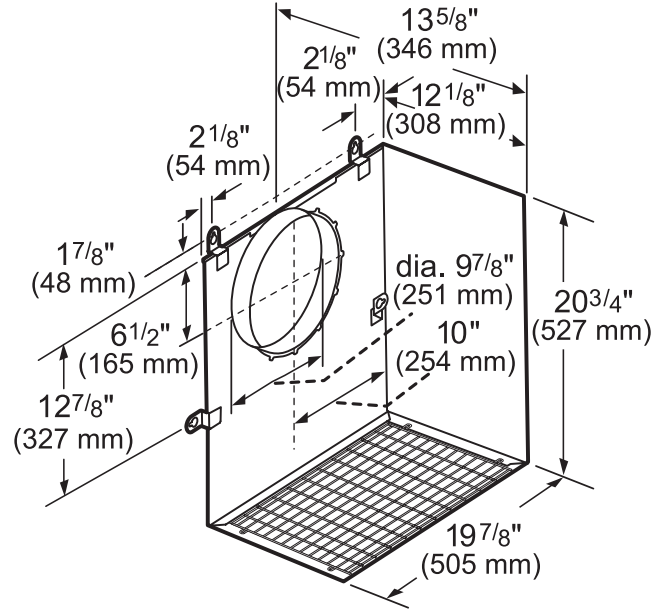
REMOTE BLOWERS (MOUNTED TO ROOF OR EXTERNAL WALL)

VTR630P-600 CFM

VTR1030P-1000 CFM

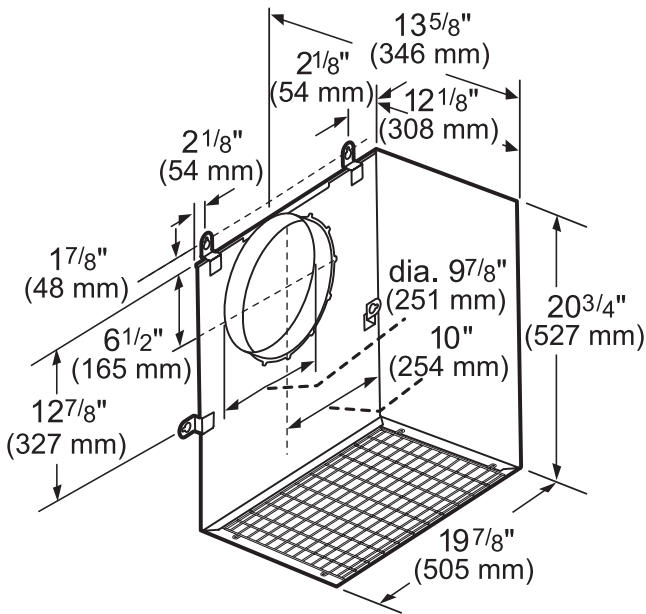


measurements in inches and mm



measurements in inches and mm

VTR1330P-1300 CFM



measurements in inches and mm

HPIN48HS

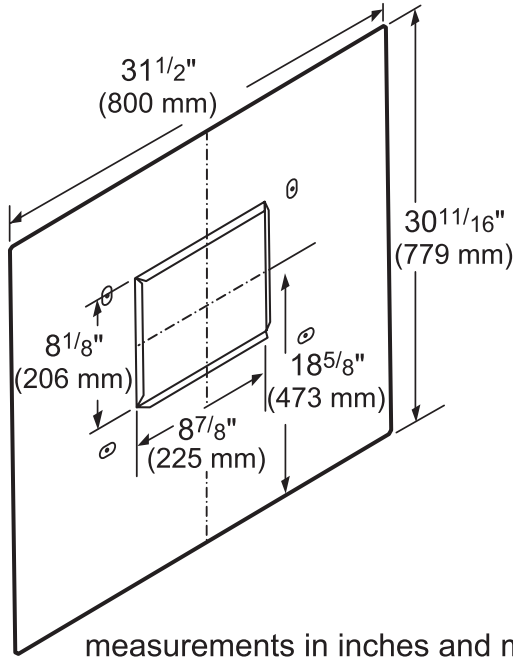
48-INCH LOW PROFILE ISLAND HOOD

PROFESSIONAL SERIES

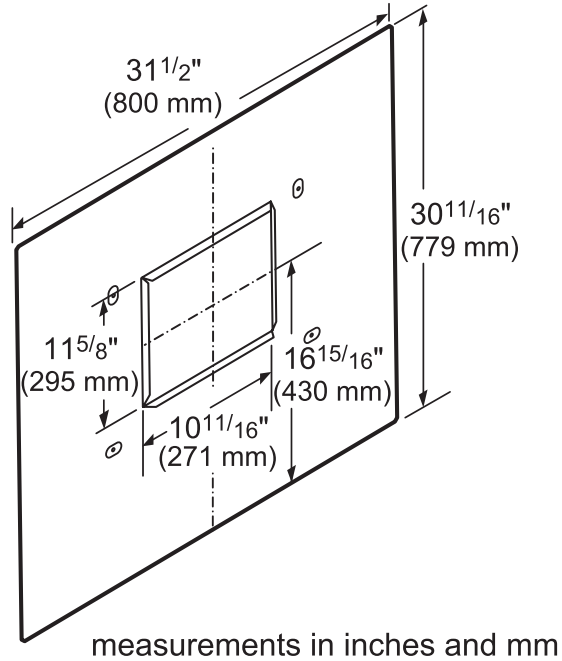


REMOTE BLOWER ACCESSORIES

ROOFPLATE RFPLT600P



ROOFPLATE RFPLT1000P



EXTNCB25

25 ft. Blower Connector Cable for use with the following Inline and Remote blowers: VTR630P, VTR1030P, VTR1330P, VTI610P, VTI1010P

These warranties give you specific legal rights and you may have other rights that vary from state to state. Full warranty and limited warranty from date of installation. For complete warranty details, refer to your Use & Care manual, or ask your dealer.

Specifications are for planning purposes only. Refer to installation instructions and consult your countertop supplier prior to making counter opening. Consult with a heating and ventilation engineer for your specific ventilation requirements. For the most detailed information, refer to installation instructions accompanying product or write to Thermador indicating the model number. Specifications are correct at time of printing. Thermador reserves the right to change product specifications or design without notice. Some models are certified for use in Canada. Thermador is not responsible for products that are transported from the U.S. for use in Canada.