
**BERTAZZONI
OWNER'S MANUAL**

**INDUCTION WORKTOP
ELECTRIC MANUAL CLEAN OVEN MODEL**



From the desk of the President

Dear new owner of a Bertazzoni,

I want to thank youDear new owner of a Bertazzoni appliance.

I want to thank you for choosing one of our beautiful products for your home.

My family started manufacturing kitchen appliances in Italy in 1882, building a reputation for quality of engineering and passion for good food.

Today, our products stand out because of their unique blend of authentic Italian design and superior appliance technology. It is our mission to make products that function perfectly and bring joy to their owners.

By making beautiful products we respond to our customers' flair for good design. By making them versatile and easy-to-use, cooking with Bertazzoni becomes a real pleasure.

This manual will help you learn to use and care for your Bertazzoni appliance in the safest and most effective way, so that it can give you the highest satisfaction for years to come.

Enjoy!

Paolo Bertazzoni
President

A handwritten signature in black ink that reads "Paolo Bertazzoni". The signature is written in a cursive, flowing style with a vertical line above the first letter 'P'.

TABLE OF CONTENTS

WARNINGS	4
WORKTOP AND KNOBS LAYOUT	8
INDUCTION COOKTOP	9
Cooking with induction	9
Turning on the induction element	9
Using special functions	9
Suitable induction pans	10
Induction dimension	11
Recommendations	11
ELECTRIC CONVECTION OVEN	12
Shelves positions	12
Cooling fan	12
Preheating the oven	12
Using the oven	12
Oven cooking modes	12
Special functions	13
Condensation	14
Getting the best results	14
Oven cooking recommendations	14
Broiling recommendations	15
Troubleshooting common problems with oven cooking	15
Oven temperature indicator	16
Telescopic glides	16
KEEPING YOUR BERTAZZONI CLEAN	17
SIMPLE MAINTENANCE	18
Replacing oven lights	18
Cleaning inside glass door	19
TROUBLESHOOTING	20
TWO YEAR LIMITED WARRANTY	21

WARNINGS

Warning and Important Safety Instructions appearing in this manual are not meant to cover all possible conditions and situations that may occur. Common sense, caution, and care must be exercised when installing, maintaining, or operating the appliance.

Read and follow all instructions before using this appliance to prevent the potential risk of fire, electric shock, personal injury or damage to the appliance as a result of improper usage of the appliance. Use appliance only for its intended purpose as described in this manual.

Save this Manual for local electrical inspector's use. Read and save these instructions for future reference. Observe all governing codes, ordinances and regulations.

Warning!

To avoid risk of property damage, personal injury or death; follow information in this manual exactly to prevent a fire or explosion. DO NOT store or use gasoline or other flammable vapors and liquids nearby this or any appliance.

What to do if you smell gas:

Do not light any appliance. Do not touch any electrical switch. Do not use any phone in your building. Immediately call your gas supplier from a neighbor's phone. Follow the gas supplier's instructions. If you cannot reach your gas supplier, call the fire department.

NOTE: Installation and service must be performed by a qualified installer, service agency or the gas supplier.

In Massachusetts:

All gas products must be installed by a "Massachusetts" licensed plumber or gasfitter. A "T" handle type manual gas valve must be installed in the gas line connected to this appliance.

To ensure proper and safe operation: Appliance must be properly installed and grounded by a qualified technician. DO NOT attempt to adjust, repair, service, or replace any part of your appliance unless it is specifically recommended in this manual. All other servicing should be referred to a qualified servicer. Have the installer show you the location of the gas shut-off valve and how to shut it off in an emergency.

A certified technician is required for any adjustments or conversions to Natural or LP gas.

To Prevent Fire or Smoke Damage

- Be sure all packing materials are removed from the appliance before operating it.
- Never let clothing, potholders, or other flammable materials come in contact with or too close to any element, top burner or burner grate until it has cooled.
- If appliance is installed near a window, proper precautions should be taken to prevent curtains from blowing over burners.
- Never leave any items on the cooktop. The hot air from the vent may ignite flammable items and may increase pressure in closed containers which may cause them to burst.
- Many aerosol-type spray cans are EXPLOSIVE when exposed to heat and may be highly flammable. Avoid their use or storage near an appliance.

In Case of Fire

Turn off appliance and ventilation hood to avoid spreading the flame. Extinguish flame then turn on hood to remove smoke and odor.

- Cooktop: Smother fire or flame in a pan with a lid or cookie sheet.
- NEVER pick up or move a flaming pan.
- Oven: Smother fire or flame by closing the oven door. DO NOT use water on grease fires. Use baking soda, a dry chemical or foamtype extinguisher to smother fire or flame, if available, a multipurpose dry chemical or foam type extinguisher.

Child Safety

- NEVER leave children alone or unsupervised near the appliance when it is in use or is still hot.
- NEVER allow children to sit or stand on any part of the appliance as they could be injured or burned.
- DO NOT store items of interest to children over the unit. Children climbing to reach those items could be seriously injured.

Cooking Safety

- Once the unit has been installed as outlined in the Installation Instructions, it is important that the fresh air supply is not obstructed. The use of a gas cooking appliance results in the production of heat and moisture in the room in which it is installed.
- Ensure that the kitchen is well-ventilated. Keep natural venting holes open or install a mechanical ventilation device. Prolonged or intensive use of the appliance may call for additional (such as opening a window) or more effective ventilation (such as increasing the level of a mechanical ventilation if present).
- NEVER use aluminum foil to cover oven racks or oven bottom. This could result in risk of electric shock, fire, or damage to the appliance. Use foil only as directed in this guide.
- To eliminate the hazard of reaching over hot surface burners, cabinet storage should not be provided directly above a unit. Temperatures may be unsafe for some items, such as volatile liquids, cleaners or aerosol sprays.
- ALWAYS place a pan on a surface burner before turning it on. Be sure you know which knob controls which surface burner. Make sure the correct burner is turned on and that the burner has ignited. When cooking is completed, turn burner off before removing pan to prevent exposure to burner flame.
- ALWAYS adjust surface burner flame so that it does not extend beyond the bottom edge of the pan. An excessive flame is hazardous, wastes energy and may damage the appliance, pan or cabinets above the appliance. This is based on safety considerations.
- NEVER leave a surface cooking operation unattended especially when using a high heat setting or when deep fat frying. Boilovers cause smoking and greasy spillovers may ignite. Clean up greasy spills as soon as possible. DO NOT use high heat for extended cooking operations.
- DO NOT heat unopened food containers, build up of pressure may cause the container to explode and result in injury.
- ALWAYS let quantities of hot fat used for deep fat frying cool before attempting to move or handle.
- NEVER wear garments made of flammable material or loose fitting or long-sleeved apparel while cooking. Clothing may ignite or catch utensil handles. DO NOT drape towels or materials on oven door handles. These items could ignite and cause burns.
- ALWAYS place oven racks in the desired posi-

tions while oven is cool. Slide oven rack out to add or remove food, using dry, sturdy potholders.

- ALWAYS avoid reaching into the oven to add or remove food. If a rack must be moved while hot, use a dry pot-holder.
- ALWAYS turn the oven off at the end of cooking.
- Use care when opening the oven door. Let hot air or steam escape before moving or replacing food.
- DO NOT cook directly on the oven bottom. This could result in damage to your appliance. Always use the oven racks when cooking in the oven.

Do not connect any appliances to the plugs above or near to the induction cooktop; connection cable insulation can melt if in contact with heat, and this may result in an injury and a property damage.

Recommended Utensils

- Use pans with flat bottoms and handles that are easily grasped and stay cool. Avoid using unstable, warped, easily tipped or loose-handled pans. Also avoid using pans, especially small pans, with heavy handles as they could be unstable and easily tip. Pans that are heavy to move when filled with food may also be hazardous.
- Be sure utensil is large enough to properly contain food and avoid boilovers. Pan size is particularly important in deep fat frying. Be sure pan will accommodate the volume of food that is to be added as well as the bubble action of fat.
- To minimize burns, ignition of flammable materials and spillage due to unintentional contact with the utensil, DO NOT extend handles over adjacent surface burners. ALWAYS turn pan handles toward the side or back of the appliance, not out into the room where they are easily hit or reached by small children.
- NEVER let a pan boil dry as this could damage the utensil and the appliance.
- Follow the manufacturer's directions when using oven cooking bags.
- Only certain types of glass, glass/ceramic, ceramic or glazed utensils are suitable for range-top surface or oven usage without breaking due to the sudden change in temperature. Follow manufacturer's instructions when using glass.

Induction Cooking Surfaces

- Surface areas on or adjacent to the unit may be hot enough to cause burns. Do not touch the cooking area as long as the light indicating residual heat on the glass-ceramic cooktop area, is “on”; this indicates that the temperature in the relative area is still high.
- **DO NOT COOK ON BROKEN COOKING SURFACE** – If cooking surface should break, cleaning solutions and spillovers may penetrate the broken cooking surface and create a risk of electric shock. Contact a qualified technician immediately.
- Keep a close eye on children because they are unlikely to see the residual heat warning lights. The cooking zones are still very hot for some time after use, even if they are switched off. Make sure that children never touch them.
- **NEVER** use aluminum foil to hold the food while cooking on a glass-ceramic cooktop area.
- Never place pan with bottoms which are not perfectly flat and smooth on the cooktop area.
- If you drop a heavy pot on your cooktop area it will not break. On the contrary, if a hard object, such as the salt shaker or the spice bottle strikes the edge or the corner of the cooktop area, the cooktop area may break.
- Never use the glass-ceramic cooktop area as support surface.
- Only use cleaning products made specifically for ceramic glass cooking surfaces.
- Metal items such as cutlery or lids must never be placed on the surface of the cooktop area since they may become hot.

Radio Interference - Induction Ranges

This unit generates, uses, and can radiate radio frequency energy and, if not installed and used in accordance with the instructions, may cause harmful interference to radio communications. However, there is no guarantee that interference will not occur in a particular installation. If this unit does cause harmful interference to radio or television reception, which can be determined by turning the unit off and on, the user is encouraged to try to correct the interference by one or more of the following measures:

- Reorient or relocate the receiving antenna
- Increase the distance between the unit and receiver
- Connect the unit into an outlet on a circuit different from that to which the receiver is connected.

Oven Heating Elements

- **NEVER** touch oven bake and broil burner areas or interior surfaces of oven.
- Bake and broil burners may be hot even though they are dark in color. Areas near burners and interior surfaces of an oven may become hot enough to cause burns.
- During and after use, **DO NOT** touch or let clothing or other flammable materials contact heating elements, areas near elements, or interior surfaces of oven until they have had sufficient time to cool. Other surfaces of the oven may become hot enough to cause burns, such as the oven vent opening, the surface near the vent opening, and the oven door window.

Cleaning Safety

- Turn off all controls and wait for appliance parts to cool before touching or cleaning them. **DO NOT** touch the burner grates or surrounding areas until they have had sufficient time to cool.
- Clean the range with caution. Avoid steam burns; **DO NOT** use a wet sponge or cloth to clean the range while it is hot. Some cleaners produce noxious fumes if applied to a hot surface. Follow directions provided by the cleaner manufacturer.
- **DO NOT** clean, rub, damage, move or remove the door gasket. It is essential for a good seal during baking. If the gasket becomes worn or excessively soiled with food particles, replace gasket to assure a tight seal.

Power failure warning

Due to safety considerations and the possibility of personal injury in attempting to light and extinguish the oven burners, the grill and the oven burner should not be used during a power failure. The oven control knob should always remain in the “OFF” position during a power failure.

NEVER use appliance as a space heater to heat or warm a room to prevent potential hazard to the user and damage to the appliance. Also, **DO NOT** use the rangetop or oven as a storage area for food or cooking utensils.

Electrical shock hazard

Make sure all controls are OFF and oven is COOL before cleaning. Failure to do so can result in burns or electrical shock.

DO NOT touch a hot oven light bulb with a damp cloth as the bulb could break. Should the bulb break, disconnect power to the appliance before removing bulb to avoid electrical shock.

NEVER cover any slots, holes or passages in the oven bottom or cover an entire rack with materials such as aluminum foil. Doing so blocks air flow through the oven and may cause carbon monoxide poisoning. Aluminum foil linings may also trap heat, causing a fire hazard.

Burn hazard

The oven door, especially the glass, can get hot. DO NOT touch the oven door glass!

Warning-tipping hazard

Children and adults can tip over the range if it has not been secured. This may lead to fatal injuries.



To reduce the risk of the appliance tipping, it must be secured and connected using the anti-tip device according to the installation instructions. Re-engage the anti-tip device if the range is moved.

Do not operate the range without the anti-tip device in place and engaged. Do not use the range if the anti-tip device has not been properly installed and engaged. See installation instructions for details.

Failure to observe the information contained in the installation instructions can lead to serious or fatal injuries for children and adults.



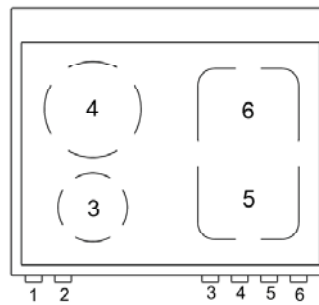
WARNING:

Cancer and Reproductiv Harm-
www.P65Warnings.ca.gov.

WORKTOP AND KNOBS LAYOUT

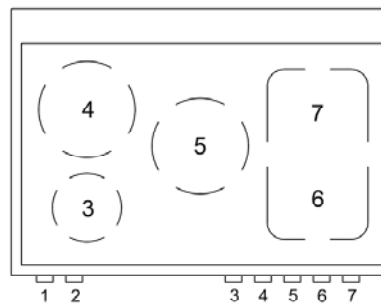
Heating element

- 1 Oven functions selector
- 2 Oven thermostat
- 3 Left front induction element
- 4 Left rear induction element
- 5 Right front induction element
- 6 Right rear induction element



Heating element

- 1 Oven functions selector
- 2 Oven thermostat
- 3 Left front induction element
- 4 Left rear induction element
- 5 Central induction element
- 6 Right front induction element
- 7 Right rear induction element



INDUCTION COOKTOP

COOKING WITH INDUCTION

Underneath each cooking zone there is a coil called an inductor. The inductor generates a variable magnetic field using electric power. When a pan is placed inside this magnetic field, the high-frequency current radiates directly on the bottom of the pan and produce the heat needed to cook.

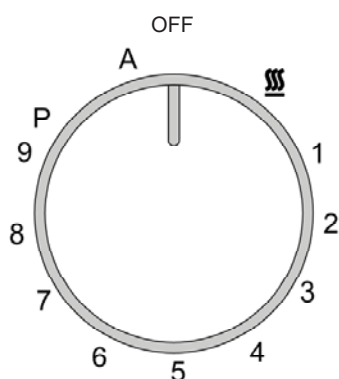
After use the display can show the symbol 'H' if there is residual heat. The symbol 'H' go out when the temperature drops to below about 140°F/60°C.

TURNING ON THE INDUCTION ELEMENT

The symbol above each knob indicates which element that knob controls.

The operation power is regulated through the knob and is shown by a display on the cooktop surface.

To turn on the heating zone, press in the control knob (Fig.14A-14B) and turn it clockwise. Settings range from a minimum of 1 to a maximum of 9.



USING SPECIAL FUNCTIONS

A - Heating Accelerator mode.

The Heating Accelerator mode allows each zone to be operated at peak power for a time proportional to the heating power selected.

- Turn the knob anti-clockwise, select setting "A" and then release. The letter "A" will appear on the display on the cooktop area
- After 3 seconds, you may select the heating setting of your choice. Once a setting between 1 and 9 has been selected, "A" and the chosen setting will flash in sequence on the display.

While the heating accelerator is in operation, the heating level can be increased at any time. The "full power" time will be modified accordingly. If the power is reduced by turning the knob anticlockwi-

se, option "A" is automatically deactivated.

P - Power Mode.

The power mode allows the user to operate each heating zone continuously at the maximum power for a time of no more than 10 minutes. This mode can be used to bring a large amount of water to the boil in a hurry, or to turn up the heat under meat.

- Turn the knob clockwise and set heating level to 9, then use the knob to set the "P" position and release it.
- The symbol "P" will appear on the corresponding zone display.
- After 10 minutes, the power will be reduced automatically to 9 and the "P" will disappear.

The power mode can be turned off at any time by reducing the heating level. If a pan is removed from the cooking zone while the power function is on, the function is switched off.



- Holding Mode.

The holding mode keeps the temperature of the bottoms of pans at about 160°F/70°C. This allows foods to be heated gently and kept hot with optimal energy consumption. Holding mode can be kept in operation for up to 2 hours.

The holding mode is  and is indicated by the relevant symbol on the cooking zones.

□ - Bridge Mode.

The bridge mode allows to use the 2 right-side cooking zones as a single cooking zone. Power Mode is not allowed when the zones are operated in Bridge mode.

- Rotate both knobs, rear right and front right, at the same time in the P position and keep the knobs in that position.
- The □ symbol will blink in the display, then return to the power level.
- To control the bridge power level, use the knob 4 (front right zone). If you turn knob 3 (rear right zone) the display shows a horizontal segment and the bridge function ends.

L - Child lock function.

When not in use, the cooktop area can be “locked out” to prevent children from accidentally switching it on.

With the cooking zones off, turn the knobs of zones 1 and 2 to the left simultaneously until “L” appear on the power display and then release the knobs.

To deactivate it, repeat the same procedure: the cooking zone displays will stop displaying the “L”, indicating that the cooking zone LOCK has been deactivated.

U - Pan detection.

Each cooking zone is equipped with a “pan detection” device, which ensures that cooking cannot start unless a suitable pan is present on the cooking zone and properly positioned.

If the user attempts to switch on the cooking zone with the pan not positioned properly or with a pan which is not of suitable material, the **U** symbol will appear a few seconds after the zone is switched on to warn the user that an error has been made.

H - Residual heat.

Each cooking zone is equipped with a device which warns of residual heat. After any cooking zone is switched off, a flashing ‘H’ may appear on the display, warning that the cooking zone is still very hot.

Cooking can be restarted while the ‘H’ is flashing.

SUITABLE INDUCTION COOKWARE

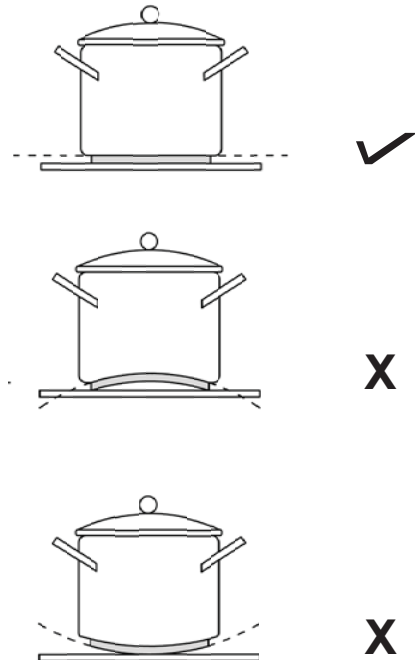
Induction technology requires iron or magnetic steel cookware in order to generate the magnetic field necessary for the heating process.

Cookware made of glass, porcelain, ceramic or aluminum will not work on an induction cooktop.

Pots made of glass, porcelain, ceramic are not suitable. Pots made with steel, aluminium or copper without magnetic bottom will also not work.

Most suitable pans are marked for use with induction. To check whether a pan is suitable, simply place a magnet close to its bottom: if the magnet sticks to the bottom of the pan, the pan is suitable for induction cooking. If you don't have a magnet handy, place a small amount of water in the pan, place the pan on any cooking zone and switch it on. If the symbol **U** appears on the display, the pan is not suitable.

Use only vessels specially designed for induction cooking, with thick, completely flat bottom. If these are not available, the pans used must not have a round (concave or convex) bottom.



Pans that are not completely flat and have a recessed bottom leave an air gap between pot and cooktop, which during operation can reach very high temperatures that can damage the glass top and the inductors below the glass.

The pans must have certain minimum diameter to ensure optimal operation. Pans larger than the cooking zones can also be used: make sure that the bottom of the pan does not touch other cooking zones and that it is always centered over the inductor.

NOISE DURING OPERATION

A pulsating humming or buzzing sound during operation is normal, and can vary in intensity with different types of cookware.

It is normal to hear a fan noise after switching the induction hob off.

INDUCTION DIMENSION

Burner	Diam. (mm)	Diam. of pan	Utilization
Auxiliary	Ø 50 mm		Use with smaller pans for boiling and simmering and the preparation of sauces.
Semi-rapid (and Griddle)	Ø 70mm		Use for normal frying and boiling in medium and small pans.
Rapid	Ø 95 mm		Use with large and medium pans of water for frying and rapid boiling.
Dual inner/outer	Ø 43/140 mm		Use with woks, griddle's and frying pans or for large pans and rapid boiling.

RECOMMENDATIONS

- Always place your pan in such a way that its center is aligned with the centre of the element.
- Pick-up your cookware when moving them around. Do not slide them and avoid excessive rubbing of the top, as this may leave scratches on the glass surface.
- Never leave an empty pot/pan on an induction heating element, even when the element is turned OFF.
- Only use maximum power for boiling and frying.
- Avoid preheating your non-stick pans (e.g. with teflon coating) at maximum heat.
- Avoid storing solid and heavy items in the cabinets above your cooktop. They may accidentally be dropped and damage the glass top.
- **Place extra care to avoid spilling sugar or sweet mixtures onto the cooktop area during cooking, and avoid materials or substances which might melt (plastic or aluminium foil) on it. If this should occur, turn the heating off immediately and clean with the scraper supplied while the cooking zone is still warm. If the ceramic cooktop area is not cleaned immediately, residue may form which may not be removed once the cooktop area has cooled.**

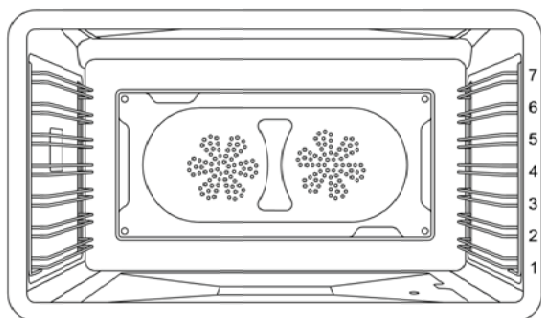
ELECTRIC CONVECTION OVEN

Attention!

When using the oven for the first time it should be operated for 15-30 minutes at a temperature of about 500°F/260°C without cooking anything inside in order to eliminate any moisture and odours from the internal insulation.

SHELVES POSITIONS

Shelves are mounted on the appropriate guides situated on the sides of the oven compartment. Insert the shelf between top and bottom guide in any of the 7 positions indicated.



COOLING FAN

The range is equipped with a cooling fan designed to prevent the control panel and knobs from overheating. The cooling fan will operate when the oven is on.

PREHEATING THE OVEN

Most cooking times in recipes are intended for a preheated oven and require that the oven already be at the set temperature before placing food in the oven. Preheating time depends on the temperature setting and the number of racks in the oven.

USING THE OVEN

1. Place rack in desired position and shut the door.
2. Select the oven function with the dedicated function knob. The light in the cavity will turn on.
3. Set the desired temperature with the dedicated selector knob.

This appliance is equipped with 1 indicator light on the front panel. Light on indicates that the oven heating element/s are activated.

OVEN COOKING MODES

The oven is equipped with 4 heating elements, used alone or in combination to create different cooking modes:

- Upper bake element
- Lower bake element
- Broil element
- Convection element

The temperature setting and cooking times can vary slightly from one oven to another. It is possible that recipes and cooking times need to be adjusted accordingly.

Pre-heat

Use this setting for fast pre-heating the oven. This function provides the most efficient and fastest way to preheat the cavity. Preheat function is unsuitable for use as a cooking function.

Bake

Heat from upper and lower element

Use this setting for baking, roasting, and casseroles on a single rack.

- Standard bake: level 3 or 4
- Taller items: level 3
- Pies: level 2 or 3 to ensure the bottom of the crust is done without over-browning the top.
- Large cuts of meat or poultry: level 2.

Bottom bake

Heat from lower element only

Use this setting at low temperatures for slow-cooking casseroles, custards or for warming plates. Use at high temperatures for cooking sweet and savoury pastry tarts.

Use the same rack position as BAKE mode.

Upper bake

Heat from upper element only

Use this setting for browning and reheating dishes such as lasagne, moussaka and cauliflower cheese.

The up Bake mode is best for baking on one rack

- Standard bake --> level 3 or 4
- tall items, level 3
- Pies level 4 or 5 to ensure the top of the crust is done without over-browning the bottom.

Broil

Heat from the broil element only

The BROIL setting creates intense heat from the top of the cavity. The broil mode is effective when food is placed on upper racks.

- Beef steaks, ground meat patties, and lamb chops 1 inch or less: level 6.
- Meat 1 inches or more thick, fish, poultry, pork chops, ham steaks 1 inch or more: level 5.
- Browning food: level 6 (no longer than 15mins)

Convection broil

Heat from broil element and air flow convection with fan.

Use this setting for browning and cooking evenly food on all sides, including bottom. Also recommended for food that is too delicate to turn over such as fish. The fan circulates hot air around the food helping to cook it all the way through. The degree of browning on each side might be different.

The conv broil mode must be used on one rack,

- sausages and chicken portions: level 5 or 6
- foods with high water content such as bacon and chops: level 5 or 6 (door closed 400°F)

Convection bake

Heat from upper and lower bake element and air flow convection with fan.

Use this setting to bake and roast different foods at the same time with no taste transfer. The fan circulates the hot air around the oven for uniform cooking of larger quantities of food. Use for roasting vegetables, meat and poultry, or baked fish. This function is the best one for cooking frozen products and breaded/battered chicken or fish. It may be used for cakes, cookies, biscuits and other foods on multiple racks.

Use the same rack position as BAKE. When using 2 racks, use level 3 and 5.

Convection

Heat from the convection element and airflow convection with fan.

Use this mode for most recipes being careful at calibrating the time –less time is usually required to reach the desired result when using convection. The temperature is kept uniform throughout the oven, which is particularly suitable for baking on several levels or for batch cooking.

- Single rack: use the same rack position as bake
- 2 racks: use level 3 and 5
- 3 racks : use level 2 ,4, 6

Pizza

Heat from lower bake element and circular element and airflow convection with fan.

Use for cooking pizza, pastry or flat breads to get a perfectly cooked base.

Use level 3 or level 2 to ensure the bottom of the crust is done.

SPECIAL FUNCTIONS

Light

Use this function to light the oven when the oven is off (for example to clean the oven). Turn the function knob to 'bake'. DO NOT turn on Oven Temperature Control Knob.

Proofing

The proof feature maintains the warm, needed for proofing yeast. It is best to start with a cool oven when using the proofing function. Turn the function knob to 'bake'. DO NOT turn on Oven Temperature Control Knob. Do not open the oven door unnecessarily.

Convection Defrost

Air is circulated by the airflow fans. The fan accelerates natural defrosting of food without heat. DO NOT leave defrosted food in the oven for more than two hours. Place the frozen food on a baking sheet. Turn the function knob to 'CONV'. DO NOT turn on Oven Temperature Control Knob.

CONDENSATION

It is normal for a certain amount of moisture to evaporate from the food during any cooking process. The amount depends on the moisture content of the food. The moisture will condense on any surface cooler than the inside of the oven, such as the control panel.

Using aluminum foil in the oven

Foil can be used to cover food in the oven but this should not come into close proximity with the oven elements. Foil should not be used to line the oven cavity or grill pan. This can cause overheating, buckling and cracking of the enamel surfaces.

GETTING THE BEST RESULTS

- Minimize opening and closing the oven door during operation.
- Use the rack position recommended by the recipe and fine-tune with personal experience.
- Use the bakeware recommended in the recipe.
- Store the broiler pan(s) outside the oven. An extra pan without food will impact browning and cooking.
- For tender, golden brown crusts, use light non-stick/anodized or shiny metal pans.
- For brown crisp crusts, use dark non-stick/anodized or dark, dull metal pans or glass bakeware. These may require lowering the bake temperature 25°F (14°C).
- Allow at least 1" (25.4 mm) of space between the pans and the oven walls so heat can circulate around each pan.
- To keep the oven as clean as possible, cook meat on a pan and not directly on the racks.
- Cooking will continue with residual heat. remove the dish from the oven immediately to avoid overcooking

OVEN COOKING RECOMMENDATIONS

Food	Pan size	Control temperature setting	Total suggested cooking time
Cookies	12"x15" Cookie Sheet	375°F	8 to 12 minutes
Layer Cakes	8"or 9" Round	350°F	25 to 35 minutes
Sheet Cakes	9"x13" Pan	350°F	30 to 40 minutes
Bunt Cakes	12 Cup	325°F	60 to 75 minutes
Brownies or Bar Cookies	9"x9" Pan	325°F	20 to 25 minutes
Biscuits	12"x15" Cookie Sheet	425°F or Package Directions	10 to 15 minutes
Quick Bread	8"x4" Loaf Pan	350°F	55 to 70 minutes
Muffins	12 cup Muffin Pan	425°F	14 to 19 minutes
Fruit Pies	9" Diameter	425°F	35 to 45 minutes
Fruit Cobblers	9"x9" Pan	400°F	25 to 30 minutes
Yeast Bread, Loaves	8"x4" Loaf Pan	375°F	25 to 30 minutes
Dinner Rolls	9"x13" Pan	400°F	12 to 18 minutes
Cinnamon Rolls	9"x13" Pan	375°F	25 to 30 minutes
Yeast Cotter and Cake	12"x15" Cookie Sheet	400°F	20 to 30 minutes

BROILING RECOMMENDATION

Food item	Control temperature setting selector	Approximate cooking time	Special instructions and tips
BEEF Ground Beef Patties, ½" thick	500°F fixed temperature setting	15 to 20 minutes	Broil until no pink in center
T-Bone Steak	500°F fixed temperature setting	12 to 20 minutes	Time depends on rareness of steak
Flank Steak	500°F fixed temperature setting	12 to 20 minutes	Rare to Medium Rare
Eye of Round Roast	325°F	20 to 25 min/lb	Small roasts take more minutes per pound; reduce time by using Convection Bake
PORK Loin Roast	325°F	20 to 25 min/lb	Cook until juices are clear
POULTRY Boneless Skinless Chicken Breasts	500°F fixed temperature setting	20 to 25 minutes	Cook until juices are clear
Chicken Thighs	500°F fixed temperature setting	25 to 30 minutes	Remove skin; Cook until juices are clear
Half Chickens	500°F fixed temperature setting	30 to 45 minutes	Turn with tongs; Cook until juices are clear
Roast Chicken	350°F	75 to 90 minutes	Do not stuff; reduce time by using Convection Bake
Turkey	325°F	20 to 25 min/lb	Do not stuff; reduce time by using Convection Bake

TROUBLESHOOTING COMMON PROBLEMS WITH OVEN COOKING

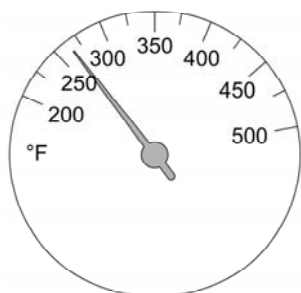
Problems	Cause	Remedy
Cakes burned on the sides or not done in center	Oven too hot Wrong pan size	Reduce temperature Use recommended pan size
Cakes crack on top	Batter too thick Oven too hot Wrong pan size	Follow recipe or add liquid Reduce temperature Use recommended pan size
Food too brown on bottom	Oven door opened too often Incorrect rack position Wrong bake setting	Use door window to check food Use recommended rack position Adjust to conventional or convection setting as needed
Food too brown on top	Incorrect rack position Oven not preheated	Use recommended rack position Allow oven to preheat
Cookies too flat	Hot cookie sheet	Allow sheet to cool between batches
Pies burned around edges	Oven too hot Oven not preheated	Reduce temperature Allow oven to preheat
Pies too light on top	Oven not hot enough Oven not preheated	Increase temperature Allow oven to preheat

OVEN TEMPERATURE INDICATOR

The range is equipped with a device to indicate the temperature in the middle of the oven. This let you check the temperature inside the oven and adjust food cooking temperatures more accurately.

When the oven is turned on, the burner will start working at maximum and the thermometer dial will start to move towards the set temperature. Heat is optimally distributed inside the oven when the thermometer dial has stopped. When the oven is turned off, the temperature on the thermometer will slowly drop until it reaches room temperature.

- *the gauge is for reference only.*

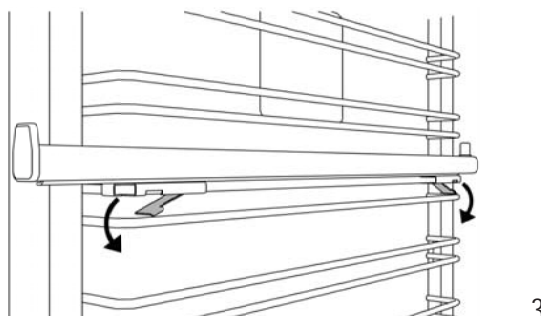
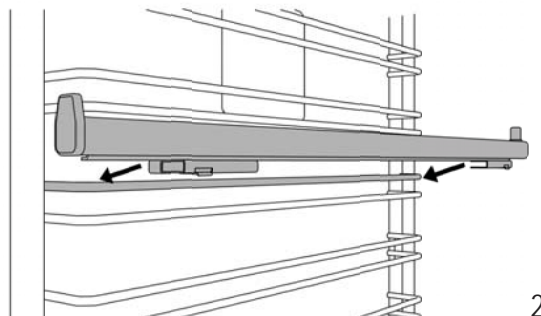
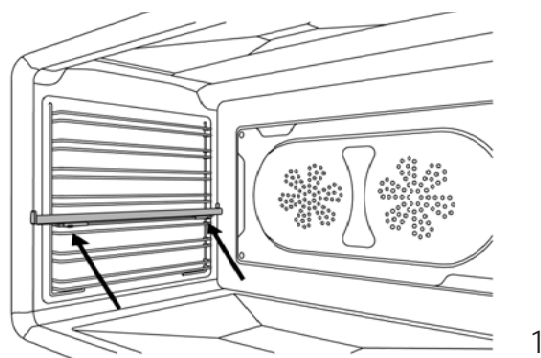


TELESCOPIC GLIDES

The telescopic glides fit any shelf level and work with the wire shelves provided as standard equipment.

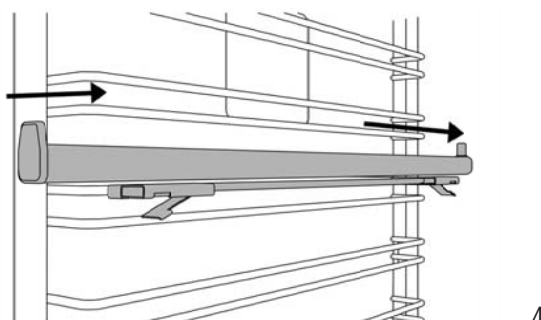
Fitting the glides

- Locate the two spring clips at the front and back of the glides.
- Locate the pin on the glide that indicates the back.
- Choose the right level and position the telescopic glide near the upper wire.
- Gently insert the front spring clip on the glide.
- Insert the rear spring clip on the glide.
- Pull and push each glide to ensure the correct installation and smooth operation.
- Extract both glides to the fully extended position and place the shelf over them, making sure it's accurately placed between the rear pin and the front pin.



Removing the glides

- 1 - Locate the two spring clips at the front and back of the glide.
- 2 - Gently pull down the front spring clip.
- 3 - Pull the glide away from the oven side - be careful not to strain the clip.
- 4 - Repeat steps 2 - 3 on rear spring clip to remove glide.



KEEPING YOUR BERTAZZONI CLEAN

Burn hazard

Make sure the heating elements are turned off and allowed to cool completely before any cleaning and/or maintenance operation.

Things to avoid:

- Do not use a steam cleaner to clean the range: the steam could reach electrical components and cause a short.
- Do not spray liquids such as cleaning agents into the openings on the bottom and top of the oven cavity.
- All surfaces can discolor or be damaged if unsuitable cleaning agents are used. The front of the oven, in particular, will be damaged by oven cleaners and descalers. All surfaces are susceptible to scratching. Scratches on glass surfaces may cause a breakage. Immediately remove any residues by using suitable cleaning products.
- The heating elements in the oven do not require cleaning. The elements burn off any residue when the oven is in use.

Cleaning stainless steel

All stainless steel parts should be wiped with hot water and soap solution at the end of each cycle. Wipe up spills and boilovers immediately. Use suitable, non-abrasive stainless cleaning products when water and soap solution will not do the job. *DO NOT use steel wool, abrasive cloths, cleaners, or powders.* If necessary, scrape stainless steel to remove encrusted materials, soak the area with hot towels to soften the residue, then use a wooden or nylon spatula or scraper. *DO NOT use a metal knife, spatula, or any other metal tool to scrape stainless steel.* DO NOT permit citrus or tomato juice to remain on stainless steel surface, as citric acid will permanently discolor stainless steel.

Cleaning painted surfaces

Clean with a soft cloth, warm water and non-abrasive dishwashing liquid. Whilst still damp, polish dry with a clean soft cloth.

Cleaning glass surfaces

Clean with cleaning detergent and warm water. Glass cleaner can be used to remove fingerprints. If using glass cleaner containing ammonia, make sure that it does not drip on exterior door surface.

Cleaning the broiler pan

Clean with detergent and hot water. For stubborn spots, use a soap-filled steel wool pad.

The porcelain enamel finish is acid resistant, but not acid proof. Acidic foods, such as citrus juices, tomatoes, rhubarb, vinegar, alcohol or milk, should be wiped up and not allowed to bake onto the porcelain during the next use.

Cleaning the induction cooktop

Allow the glass to cool down until the residual heat indicator is off before cleaning. Never use scouring powders or paste, metal scourers, oven cleaners or any abrasive cleaning products on the hotplate. Clean spillovers before using the cooktop again.

For light cleaning, wipe with a soft cloth, warm water and dishwashing liquid. For a streak free finish, polish dry with a microfibre cloth. For more stubborn marks and to condition the surface, use a good quality cooktop cleaner/conditioner, following the manufacturer's instructions. For spillages with high sugar content such as jam, or the accidental melting of plastic or alloy materials, turn off the heating zone and remove the spillage immediately.

Use caution because the heating area maybe very hot.

Cleaning the oven cavity

- Always allow the oven interior to cool before cleaning.
- Do not allow vinegar, wine, coffee, milk, salt water or fruit juices to remain in contact with enamelled surfaces for prolonged periods as they may stain or discolour the surface.
- Never use sharp utensils to remove stains as this could scratch the surface.
- Never use steam cleaners on the oven interiors as steam may damage electronic parts.
- For light cleaning, wipe with a soft cloth, using warm water and washing up liquid. For heavier residues, use a cream cleaner and a nylon scourer.
- Oven cleaning products can be used according to the manufacturer's directions but care should be taken that they do not come in contact with any stainless steel, chrome, painted or alloy parts of the range or the door seals and elements.

Cleaning oven racks and supports

Clean with detergent and hot water. Stubborn spots can be scoured with a soap-filled steel wool pad.

SIMPLE MAINTENANCE

These simple tasks can be performed by the owner. For any other maintenance task, we recommend employing a trained service technician. Please call our toll free line to identify service technicians in your area:

ENGLISH 866 905 0010

if located in the US, BC, B, Sk and MB

FRANCAIS 800 561 7265

if located in ON, QC, PE, NU, NS, NL, NB

REPLACING OVEN LIGHTS

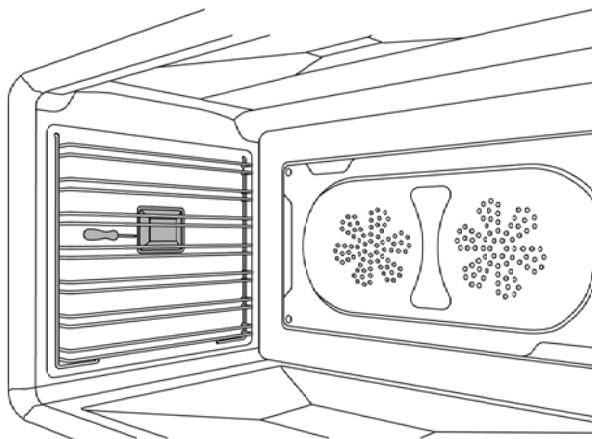
Warning! Electric shock hazard!

Disconnect the electric power at the main fuse or circuit breaker before replacing bulb. DO NOT touch bulb with bare hands. Clean off any signs of oil from the bulb and handle with a soft cloth.

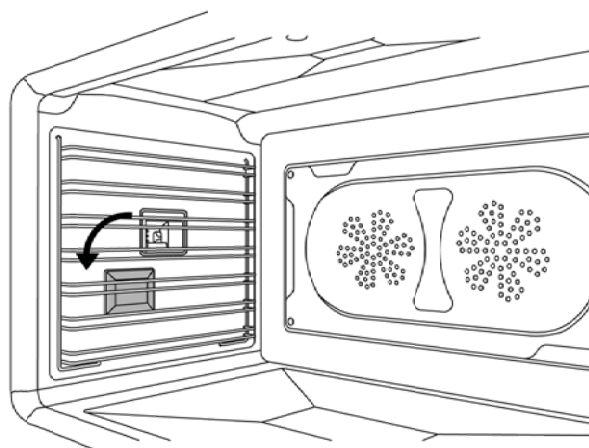
Side oven light

Bulb type: halogen G9 120 V, 40 W

- Make sure the heating elements are turned off and allowed to cool completely. Disconnect the appliance from the power supply. Remove the oven rack if it interferes with the light housing.
- Slide the tip of a flat screw driver between the glass cover and the lamp housing. Gently twist the screw driver tip to loosen the glass lens cover, holding it in place with your fingers to prevent it from falling and breaking.
- Remove the glass lens cover and then remove the halogen bulb.
- Place a new halogen bulb in its slot. DO NOT touch bulb with bare hands.
- Press the glass cover back into place and replace the oven rack.
- Reconnect the oven to the electrical supply.



1

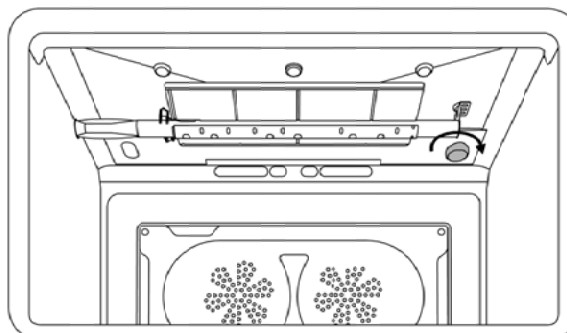


2

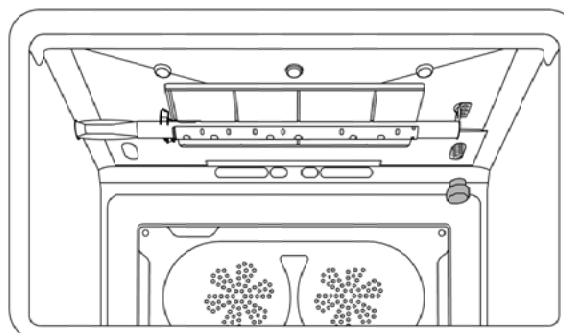
Top oven light

Bulb type: halogen G9 120 V, 40 W

- Make sure the heating elements are turned off and allowed to cool completely. Disconnect the appliance from the power supply.
- Unscrew the glass cover and remove the halogen bulb.
- Place a new halogen bulb in its slot. DO NOT touch bulb with bare hands
- Screw the glass cover back in place.
- Reconnect the oven to the electrical supply.



1



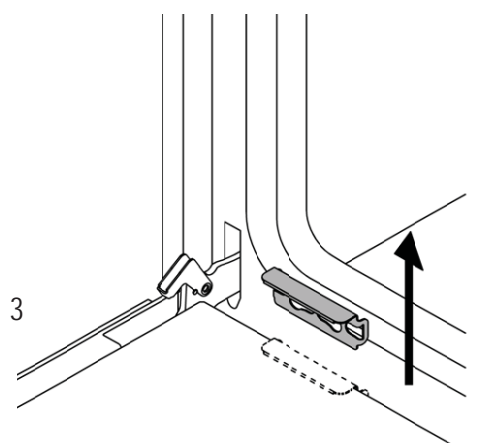
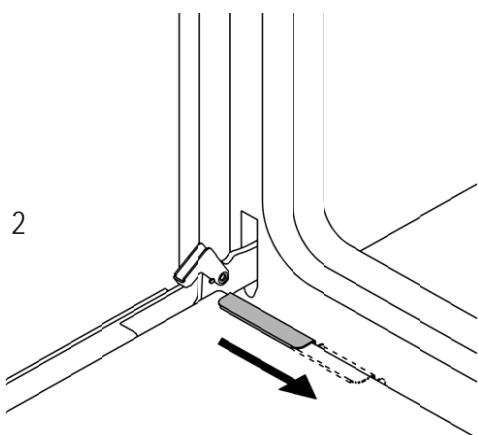
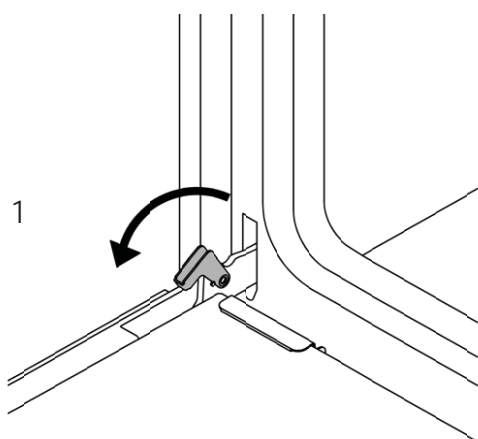
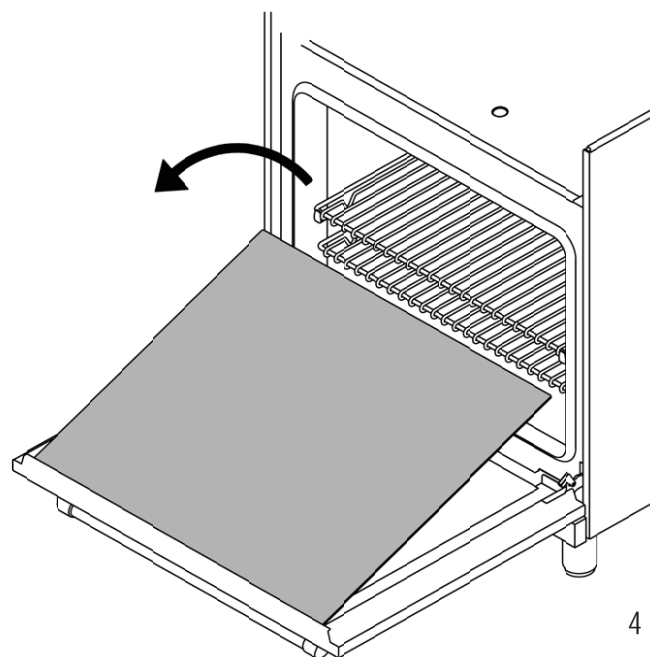
2

CLEANING INSIDE GLASS DOOR

The inner glass door panels can be easily removed for cleaning. It is not necessary to remove the door in order to clean the glass panes. The glass can be cleaned in situ or removed.

- Open the oven door to its fully extended position.
- Flip down hinge clip on each hinge to secure the door in an open position. A screwdriver may be necessary to carefully pry the clip back
- Slide the clips towards the centre of the door.
- Holding the glass pane, lift slightly and pull towards the oven to release the glass panel.

Note: when glass is being removed, which side faces into the oven. Incorrect replacement may cause the glass to shatter or be damaged.



Warning!

If the hinges are not locked properly and the inner glass is removed, the door can close by itself causing personal injuries.

TROUBLESHOOTING

Here are answer to common problems you may experience. You are also welcome to call our toll free Customer Service line to troubleshoot any issue with your Bertazzoni:

ENGLISH 866 905 0010

if located in the US, BC, B, Sk and MB

FRANCAIS 800 561 7265

if located in ON, QC, PE, NU, NS, NL, NB

The oven will not operate

Is there power to the range? Check the switch fuse or circuit breaker.

The control knob are getting too hot

Are you cooking with the oven door open? Keep the oven door shut when not in use or when grilling/broiling.

A control knob is loose on its shaft

The knob retaining spring clip may have been damaged. Call our service department for advice and a replacement if necessary.

Food is cooking too quickly

Are you using a convection mode? When using a fan-assisted oven cooking mode, it is recommended to reduce the cooking temperature by 70°F (20°C) compared to conventional cooking.

Food is not cooking evenly

Are you cooking large amount of food or are you using large bakeware? Air needs to circulate through the oven for even cooking. Remove the grill pan from the oven when not in use and always allow a gap on all four sides of dishes. You may need to turn your bakeware during the cooking cycle. Oversized baking sheets, roasting pans and cakeware will act as a baffle and prevent hot air from moving evenly around the cavity. Choose cooking equipment that allows a minimum of 1 inch (2,5 cm) space on all sides to allow the free movement of heat inside the cavity.

Grilling in the oven is slow

Have you selected the correct function?

Condensation forms in the oven

Have you pre-heated the oven? Condensation is less likely to form when the oven or grill is pre-heated before use.

Smoke is generated in the oven

Have you selected the right cooking temperature? Are you cooking food with high fat? Do you rarely use the grill? Have you cooked fat under the grill? Does the oven interior need to be cleaned? Remember to reduce the oven temperature by 70°F (20°C) if using a fan function with a recipe designed for conventional cooking. Use high-sided dishes to contain fats and splashes. Leave the grill on for a few minutes after grilling or roasting to burn off fat deposits from the oven roof. Oven surfaces should be cleaned regularly to prevent build-up of cooking residues.

Please kindly register on our web site www.bertazzoni.com to validate your new product warranty and help us to assist you better in case of any inconvenience.

TWO YEAR LIMITED WARRANTY

The warranties provided by Bertazzoni Spa in this statement apply exclusively to Bertazzoni appliances and accessories sold as new products to the original owner by a Bertazzoni authorized distributor, retailer, dealer or service center and installed in the United States and Canada. The warranties provided in this statement are not transferable and have validity from the date of installation.

Coverage information

Bertazzoni SpA will repair or replace any component part which fails or proves defective due to materials and/or workmanship within 2 years from the date of installation and under conditions of normal residential use. Repair or replacement will be free of charge, including labor at standard rates and shipping expenses. Repair service must be performed by a Bertazzoni Authorized Service Center during normal working hours.

Cosmetic warranty

Bertazzoni will cover parts showing cosmetic defects in material and workmanship for a period of thirty (30) days from date of installation of the unit. This coverage will include scratches, stains, surface imperfections on stainless steel, paint and porcelain, with the exclusion of slight differences in color due to materials and painting/enamelling technologies.

Exclusions are labor costs, B stock items, out-of-box appliances and display units.

How to obtain service

To obtain warranty service please contact Bertazzoni Customer Service at the numbers below and provide model number, serial number and date of purchase.

ENGLISH 866 905 0010

if located in the US, BC, B, Sk and MB

FRANCAIS 800 561 7265

if located in ON, QC, PE, NU, NS, NL, NB

Save proof of original purchase or of original installation to establish warranty period. Copy of the product serial tag is affixed to the back cover of the instruction manual.

What is not covered

The product used in any commercial application
Repair service provided by other than a Bertazzoni authorized service agency.
Damage or repair service to correct service pro-

vided by an unauthorized agency or the use of unauthorized parts.

Installation not in accordance with local electrical codes or plumbing codes.

Defects or damage due to improper storage of the product.

Defects or damage or missing parts on products sold out of the original factory packaging or from displays.

Service calls or repairs to correct the installation of the product and/or related accessories.

Service calls to connect, convert or otherwise repair the electrical wiring and/or gas line to properly use the product.

Service calls to provide instructions on the use of a Bertazzoni product.

Repair service due to product usage in manner other than what is normal and customary for home use.

Replacement of wear and tear parts

Replacement of glasses and light bulbs if they are claimed to have failed later than 30 days after installation and in no case later than 4 months after date of purchase

Defects and damages arising from accident, alteration, misuse, abuse, improper installation.

Defects and damages arising from transportation of the product to the home of the owner.

Defects and damage arising from external forces beyond the control of Bertazzoni SpA such as fire, flood, earthquakes and other acts of God.

In case the product will be installed in a remote area, where certified trained technicians are not reasonably available, the customer will be responsible for the transportation costs for the delivery of the product to the nearest authorized service center or for the displacement costs of a certified trained technician.

Bertazzoni does not assume any responsibility for incidental or consequential damages.

Some states do not allow the exclusion or limitation of incidental or consequential damages, so the above limitation or exclusion may not apply to you. This warranty gives you specific legal rights and you may also have other rights which may vary from state to state or province to province.

La garantie fournie par Bertazzoni Spa dans ce document s'applique exclusivement aux appareils et accessoires Bertazzoni vendus neufs au propriétaire d'origine par un distributeur, revendeur ou centre d'assistance autorisé par Bertazzoni, installé aux États-Unis ou au Canada. La garantie fournie dans ce document n'est pas cessible et entre en vigueur à la date d'installation.

Informations sur la garantie

Bertazzoni Spa réparera ou remplacera tout composant en panne ou défectueux du fait des matériaux et/ou de la fabrication pendant 2 ans à compter de la date d'installation et uniquement dans le cadre d'un usage domestique normal. Les réparations ou remplacements ne seront pas facturés et comprennent la main-d'œuvre au taux standard et les frais de transport. Les réparations doivent être réalisées par un centre de maintenance autorisé par Bertazzoni, aux heures de travail normales.

Garantie esthétique

La garantie offerte par Bertazzoni s'appliquera sur les composants présentant des défauts esthétiques liés aux matériaux et aux défauts de fabrication pendant trente (30) jours à compter de la date d'installation de l'appareil. Cette garantie inclut les rayures, taches, imperfections superficielles de l'acier inoxydable, des peintures et du revêtement émailé, à l'exception des légères différences de couleur dues aux matériaux et aux technologies de peinture/d'émailage.

Les frais liés à la main-d'œuvre, les articles d'occasion, les appareils déballés, les articles de démonstration sont exclus du champ d'application de la garantie.

Comment faire appliquer la garantie

Pour faire appliquer la garantie, veuillez contacter le Service clients de Bertazzoni aux numéros ci-dessous en indiquant le numéro de modèle, le numéro de série et la date d'achat.

ENGLISH 866 905 0010

est situé dans US, BC, B, SK et MB

FRANÇAIS 800 561 7265

est situé dans ON, QC, PE, NU, NS, NL, NB

Conserver les documents attestant l'achat original ou l'installation originale afin de déterminer la période de garantie. Le numéro de série du produit est reproduit au dos du manuel d'instructions.

Ce que la garantie ne couvre pas

Le produit utilisé dans un cadre commercial. Les réparations assurées par un opérateur autre qu'une agence spécialisée autorisée par Bertazzoni. Les dommages ou réparations effectués afin de

corriger une réparation réalisée par une société non autorisée ou l'utilisation de composants non autorisés. L'installation non conforme aux réglementations locales en matière d'électricité ou de plomberie.

Les défauts ou dommages dus à un entreposage inapproprié du produit. Les défauts ou dommages ou pièces manquantes concernant des produits vendus sans leur emballage d'origine ou des produits de démonstration.

Les interventions ou réparations visant à rectifier l'installation du produit et/ou de ses accessoires. Les interventions visant à raccorder, convertir ou réparer le câblage électrique et/ou la conduite d'alimentation en gaz afin d'utiliser correctement le produit. Les interventions visant à fournir des instructions sur l'utilisation d'un produit Bertazzoni.

Les réparations résultant d'une utilisation du produit autre qu'une utilisation normale et habituelle dans le cadre domestique. Le remplacement des pièces d'usure.

Le remplacement des vitres et des ampoules d'éclairage en cas de défaillance au-delà des 30 jours suivant l'installation et en aucun cas au-delà de 4 mois après la date d'achat. Les défauts et dommages résultant d'un accident, d'une altération, d'une mauvaise utilisation, d'un abus, d'une installation inappropriée. Les défauts et dommages résultant de facteurs externes échappant au contrôle de Bertazzoni SPA, comme les incendies, les inondations, les tremblements de terre et autres cas de force majeure.

Au cas où le produit serait installé dans une zone éloignée, où des techniciens formés ne pourraient raisonnablement se rendre, le client prendra à sa charge les frais d'expédition du produit jusqu'au centre de maintenance autorisé le plus proche ou les frais de déplacement d'un technicien formé et certifié.

Bertazzoni décline toute responsabilité en cas de dommages indirects ou consécutifs à l'utilisation du produit.

Certains états n'autorisent pas l'exclusion ou la limitation de responsabilité en cas de dommages indirects ou consécutifs ; par conséquent, la limitation ou l'exclusion susmentionnée pourrait ne pas s'appliquer à votre cas. La présente garantie vous confère des droits juridiques spécifiques. Vous pourriez également bénéficier d'autres droits, susceptibles de varier d'un état ou d'une province à l'autre.

RÉSOLUTION DES PROBLÈMES

Vous trouverez ci-après des solutions aux problèmes les plus fréquents. Vous pouvez aussi appeler le numéro vert de notre Service clients pour résoudre tout problème lié à votre cuisinière Bertazzoni :

ENGLISH 866 905 0010

est situé dans US, BC, B, SK et MB

FRANÇAIS 800 561 7265

est situé dans ON, QC, PE, NU, NS, NL, NB

Le four ne démarre pas

La cuisinière est-elle sous tension ? Vérifier l'interrupteur à fusibles ou le disjoncteur.

Le bouton de réglage est trop chaud

La porte du four reste-t-elle ouverte pendant la cuisson ?

La porte du four doit rester fermée en cas d'utilisation du four ou d'utilisation du grill.

Un bouton de réglage s'est dévissé de son axe

Le clip à ressort de blocage est peut-être endommagé. Appeler notre Service d'entretien pour des conseils et, le cas échéant, un remplacement.

Les aliments cuisent trop vite

Le mode de cuisson par convection est-il utilisé ? Lors de l'utilisation d'un mode de cuisson au four par convection, il est recommandé de réduire la température de 70°F (20°C) par rapport à la température habituelle.

La cuisson n'est pas uniforme

De grandes quantités de nourriture sont-elles cuisinées, ou un plat à four de grande taille est-il utilisé ?

Pour une cuisson uniforme, l'air doit pouvoir circuler dans le four. Enlever le grill du four lorsqu'il n'est pas utilisé et toujours laisser un peu d'espace autour des plats. Il pourrait s'avérer nécessaire de tourner le plat pendant la cuisson. Les plaques de cuisson, plats à gratin et moules à gâteaux de taille excessive empêchent la bonne circulation de l'air chaud dans le four. Choisir des équipements de cuisson laissant un espace minimum d'1 pouce (2,5 cm) de chaque côté, pour permettre à la chaleur de circuler librement dans le four.

Le grill du four est lent

La bonne fonction a-t-elle été choisie ?

De la condensation se forme dans le four

Le four a-t-il été préchauffé ?

Il y aura moins de condensation si le four ou le grill est préchauffé avant l'utilisation.

Le four génère de la fumée

La bonne température de cuisson a-t-elle été choisie ?

Une grande quantité de matières grasses est-elle utilisée ? Le grill est-il rarement utilisé ? Des aliments gras ont-ils été cuits sous le grill ?

L'intérieur du four a-t-il besoin d'être nettoyé ? Se rappeler de réduire la température du four de 70°F (20°C) en cas d'utilisation d'un mode de cuisson par convection pour une recette créée pour un mode de cuisson traditionnel. Utiliser des plats à bord haut pour contenir les graisses et éviter les éclaboussures. Laisser le grill allumé pendant quelques minutes après l'utilisation du grill ou de la rotissoire afin de brûler les dépôts de graisse présents sur la partie supérieure du four.

Nettoyer régulièrement les surfaces du four pour éviter les dépôts de nourriture.

Veuillez vous inscrire sur notre site Internet

www.bertazzoni.com pour valider la garantie de votre nouveau produit et nous permettre de vous aider en cas de besoin.

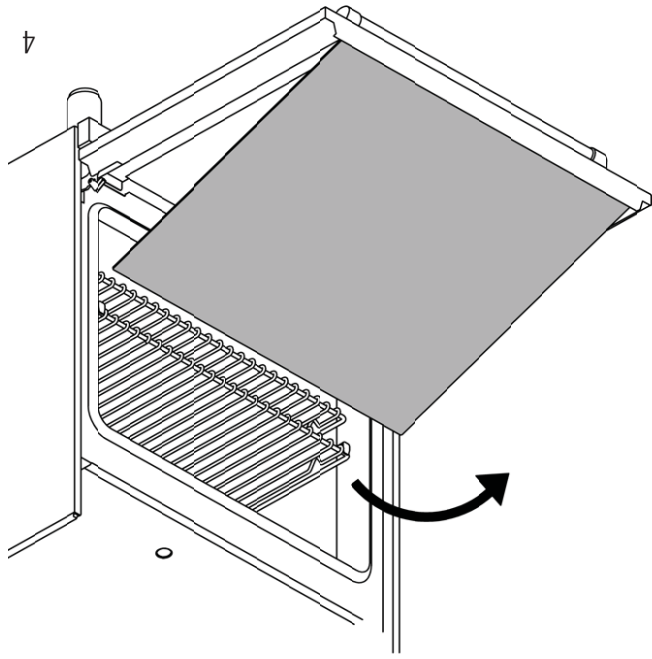
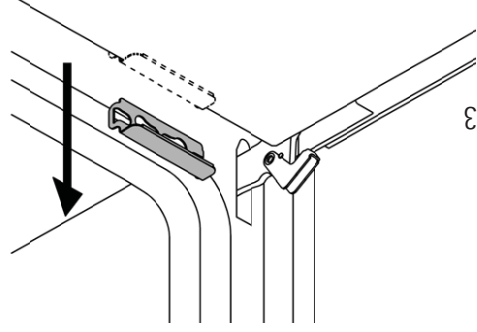
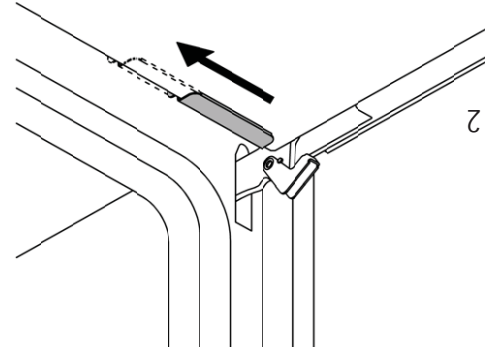
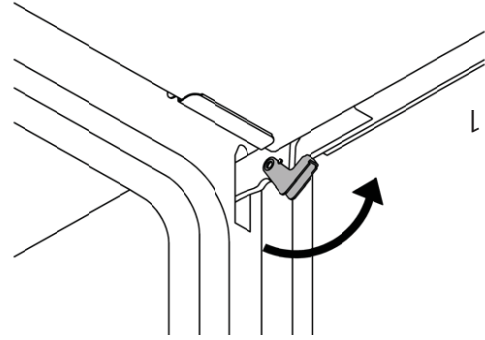
NETTOYAGE DE L'INTÉRIEUR DE LA PORTE VITRÉE

Les panneaux intérieurs de la porte vitrée peuvent être aisément retirés pour être nettoyés. Il n'est pas nécessaire de démonter la porte pour nettoyer la vitre en verre. La vitre peut être nettoyée directement ou retirée.

- Ouvrir complètement la porte du four.
- Rabattre le clip de chaque charnière pour bloquer la porte en position ouverte. Un tournevis peut être nécessaire pour faire lever sur le clip.
- Faire glisser les clips vers le centre de la porte.
- En tenant la vitre en verre, la soulever délicatement et la tirer vers le four pour défaire le panneau en verre.

Remarque: lors du retrait de la vitre, il faut bien noter quelle face donne sur l'intérieur du four. Une mauvaise

réinstallation peut briser ou endommager la vitre.



Avertissement !
Si les charnières ne sont pas correctement bloquées, et que la vitre intérieure est démontée, la porte peut se refermer toute seule et causer des blessures.

Ces opérations simples peuvent être réalisées par l'utilisateur de la cuisinière. Pour toute opération plus complexe, nous recommandons l'intervention d'un technicien de maintenance formé. Veuillez appeler notre Service d'assistance pour trouver les techniciens de maintenance proches de chez vous :

ENGLISH 866 905 0010

est situé dans US, BC, B, SK et MB

FRANÇAIS 800 561 7265

est situé dans ON, QC, PE, NU, NS, NL, NB

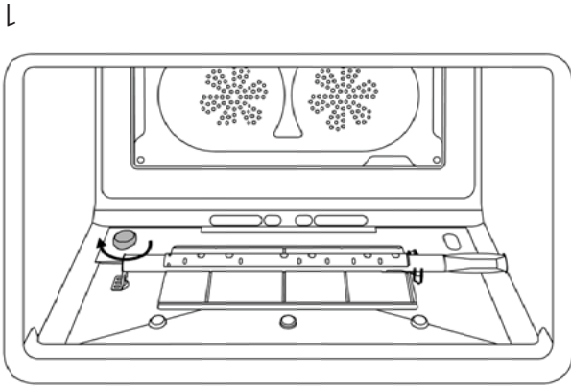
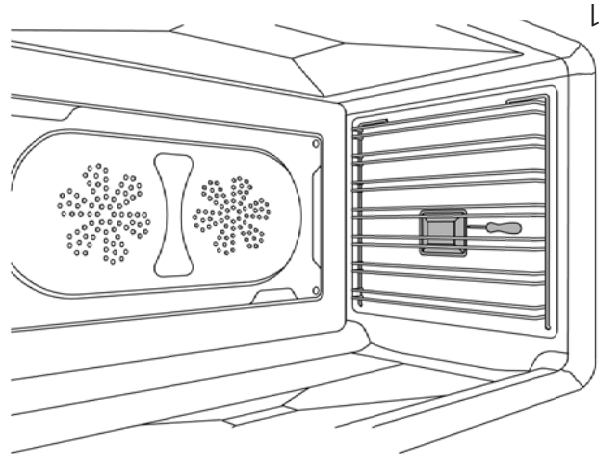
REMPLACEMENT DES AMPOULES DU FOUR

Avertissement ! Risque de décharge électrique ! Débrancher l'alimentation électrique au niveau du fusible principal ou du disjoncteur avant de remplacer l'ampoule. NE PAS toucher l'ampoule à mains nues. Nettoyer toute trace d'huile sur l'ampoule et la manipuler avec un linge fin.

Lampe latérale du four

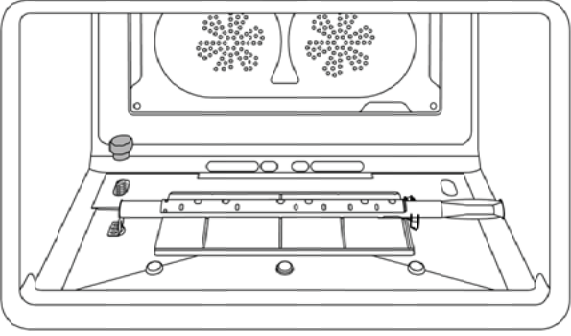
Type d'ampoule : halogène G9 120 V, 40 W

- S'assurer que les éléments chauffants sont éteints et entièrement refroidis. Débrancher la cuisinière de sa source d'alimentation électrique. Retirer la grille du four si celle-ci interfère avec le logement de l'ampoule.
- Glisser l'extrémité d'un tournevis plat entre la vitre de protection et le logement de l'ampoule. Faire délicatement levier avec l'extrémité du tournevis pour défaire la vitre de protection, en la maintenant en place avec les doigts pour éviter qu'elle ne tombe et ne se casse.
- Retirer la vitre de protection puis l'ampoule halogène. Insérer une nouvelle ampoule halogène dans le logement. NE PAS toucher l'ampoule à mains nues.
- Repositionner la vitre de protection en l'encastrant puis remettre en place la grille du four.
- Rebrancher le four à l'alimentation électrique.



1

2

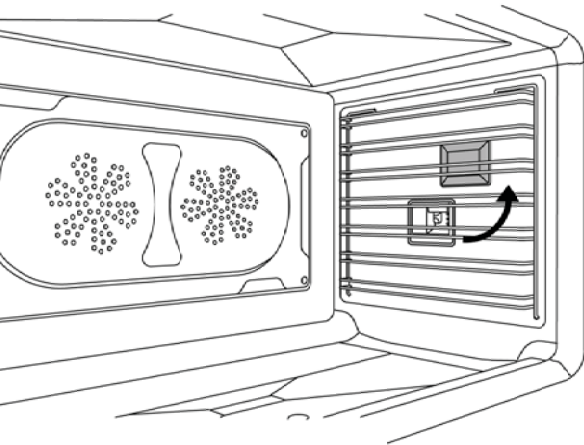


Lampe supérieure du four

Type d'ampoule : halogène G9 120 V, 40 W

- S'assurer que les éléments chauffants sont éteints et entièrement refroidis. Débrancher la cuisinière de sa source d'alimentation électrique.
- Dévisser la vitre de protection puis retirer l'ampoule halogène.
- Insérer une nouvelle ampoule halogène dans le logement. NE PAS toucher l'ampoule à mains nues.
- Remettre en place la vitre de protection en la revissant.
- Rebrancher le four à l'alimentation électrique.

2



NETTOYAGE DE VOTRE CUISINIÈRE BERTAZZONI

Risque de brûlure

S'assurer que les éléments chauffants sont éteints et ont complètement refroidi avant d'effectuer toute opération de nettoyage et/ou d'entretien.

Actions à ne pas faire :

- N'utilisez pas de nettoyeur vapeur pour nettoyer la cuisinière : la vapeur pourrait entrer en contact avec des composants électriques et entraîner un court-circuit.

- Ne vaporisez pas de liquides tels que des produits nettoyeurs dans les ouvertures situées au bas et sur le dessus de la cavité du four.

- Les surfaces peuvent se décolorer ou être endommagées suite à l'utilisation de produits nettoyeurs inappropriés. L'avant du four, en particulier, peut être endommagé par les produits nettoyeurs pour four et les produits désincrustants. Toutes les surfaces sont sensibles aux rayures. Des rayures sur une surface vitrée peuvent entraîner une rupture. Éliminer immédiatement tout résidu à l'aide de produits nettoyeurs adaptés. Les éléments chauffants dans le four ne nécessitent pas de nettoyage. Ces éléments brûlent tous les résidus quand le four est utilisé.

Nettoyage de l'acier inoxydable

Toutes les parties en acier inoxydable doivent être nettoyées avec une solution d'eau chaude savonneuse après chaque cycle de travail. Les projections et déversements doivent être nettoyés immédiatement. Utiliser des produits nettoyeurs non abrasifs adaptés à l'acier inoxydable si de l'eau savonneuse ne suffit pas. *NE PAS utiliser de laine d'acier, de linges abrasifs, de produits ou de poudres nettoyeurs.* Si nécessaire, gratter l'acier inoxydable pour en retirer les incrustations ; pour cela, mouiller avec un chiffon humide et chaud pour ramollir le dépôt, puis utiliser une spatule en bois ou en nylon ou une raclette. *NE PAS utiliser de couteau, de spatule ou tout autre ustensile en métal pour gratter l'acier inoxydable !* NE PAS laisser de jus de citron ou de tomate sur la surface en acier inoxydable, l'acide citrique pouvant décolorer de façon indélébile l'acier inoxydable.

Nettoyage des surfaces peintes

Nettoyer avec un linge doux, de l'eau chaude et du liquide vaisselle non abrasif. Tandis que la surface est encore humide, frotter avec un linge doux et propre.

Nettoyage des surfaces en verre

Nettoyer avec un produit nettoyant et de l'eau chaude. Les nettoyeurs pour vitre peuvent être utilisés pour éliminer les empreintes de doigts. En cas d'utilisation d'un nettoyeur pour vitre avec ammoniac, s'assurer qu'il ne dégraisse pas sur la surface extérieure de la porte.

Nettoyage de la lèchêrite

Nettoyer avec un produit nettoyant et de l'eau chaude. Pour les résidus incrustés, utiliser de la laine d'acier et du savon. Le revêtement émaillé est résistant aux acides, mais ceux-ci doivent être retirés dès que possible pour ne pas altérer la surface. Les aliments acides tels que les jus de citron, de tomate et de rhubarbe, le vinaigre, l'alcool ou le lait doivent être nettoyés et ne doivent pas rester sur la plaque de cuisson lors de l'utilisation suivante du four.

Nettoyage de la surface de cuisson à induction

Avant le nettoyage, laisser refroidir la surface jusqu'à ce que l'indicateur de chaleur résiduelle s'éteigne. Ne jamais utiliser de poudres ou de pâtes à recurer, de tampons à recurer métalliques, de produits nettoyeurs pour four ou tout produit de nettoyage abrasif sur la surface chaude. Nettoyer toute projection avant de réutiliser la surface de cuisson.

Pour un nettoyage léger, utiliser un linge doux imbibé d'eau chaude et de liquide nettoyeur. Pour une finition sans traces, frotter avec un linge sec en microfibre. En cas de traces incrustées et pour un nettoyage optimal de la surface de cuisson, utiliser une crème ou un produit nettoyant de qualité destinés aux surfaces de cuisson, en suivant les instructions du fabricant. En cas de projection d'aliment présentant une teneur en sucre élevée, par exemple de la confiture, ou de fusion accidentelle de plastique ou d'alliages, éteindre la zone de cuisson et retirer immédiatement la projection.

Nettoyage de la cavité du four

Procéder avec la plus grande prudence car la zone de cuisson peut être brûlante.

- Toujours laisser l'intérieur du four refroidir avant le nettoyage.
- Ne pas laisser le vinaigre, le vin, le café, le lait, l'eau salée ou les jus de fruits rester longtemps en contact avec des surfaces émaillées, car ils pourraient tacher ou décolorer la surface.
- Ne jamais utiliser d'ustensiles pointus pour éliminer des saletés, cela pourrait rayer la surface.
- Ne jamais utiliser de nettoyeur vapeur à l'intérieur du four, la vapeur pourrait endommager les composants électroniques.
- Pour nettoyer la lampe du four, l'essuyer avec un linge doux imbibé d'eau chaude et de liquide nettoyeur. En cas de résidus incrustés, utiliser une crème nettoyante et un tampon à recurer en nylon.
- Les produits nettoyeurs pour four doivent être utilisés conformément aux consignes du fabricant, mais il convient de veiller à ce qu'ils n'entrent pas en contact avec toute partie de la cuisinière en acier inoxydable, chromée, peinte ou en alliage, ou avec les éléments et les joints de la porte.

Nettoyage des plaques et des supports du four

Nettoyer avec un produit nettoyant et de l'eau chaude. Pour les résidus incrustés, utiliser de la laine d'acier et du savon.

INDICATEUR DE TEMPÉRATURE DU FOUR

La cuisinière est équipée d'un dispositif indiquant la température au centre du four. Celui-ci permet de vérifier la température dans le four et d'ajuster précisément les températures de cuisson.

Lorsque le four est allumé, le brûleur commence par fonctionner au maximum et l'indicateur de température se déplace vers la température définie. La chaleur est répartie de manière optimale dans le four lorsque l'indicateur de température ne bouge plus. Lorsque le four est éteint, la température qu'indique le thermomètre commencera à diminuer jusqu'à atteindre la température ambiante.

- la jauge est uniquement donnée à titre de référence.



GUIDES TÉLESCOPIQUES

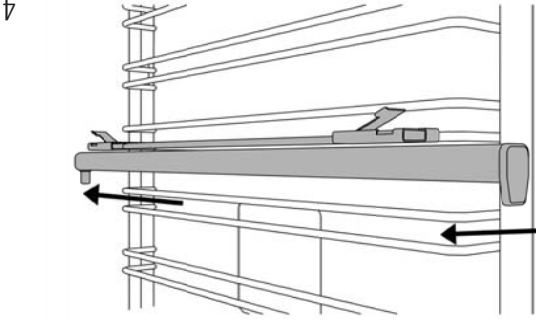
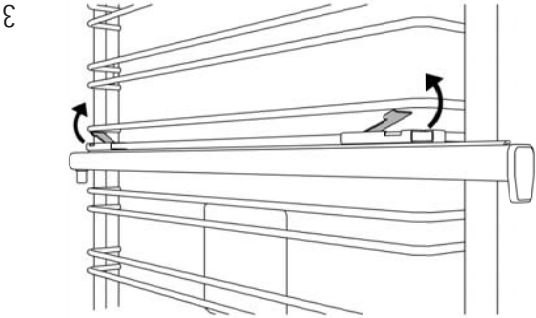
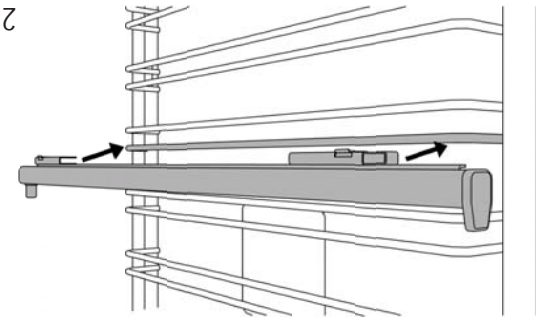
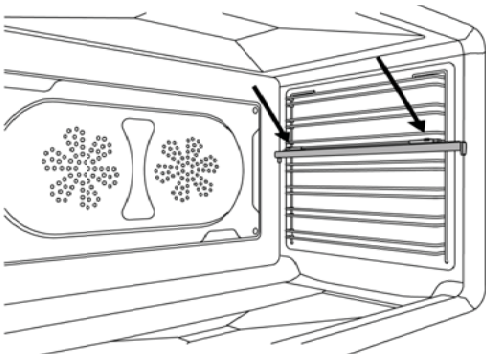
Les guides télescopiques s'adaptent à chaque niveau et aux grilles faisant partie des équipements standards.

Montage des guides

- Localiser les deux clips à ressort à l'avant et à l'arrière des guides.
- Localiser la tige sur le guide ; elle indique l'arrière.
- Choisir le niveau adapté et positionner le guide télescopique à proximité de la grille supérieure.
- Insérer doucement le clip à ressort antérieur sur le guide.
- Insérer le clip à ressort postérieur sur le guide.
- Faire coulisser d'avant en arrière chaque guide pour s'assurer de son installation correcte et de son bon fonctionnement.
- Faire ressortir complètement les deux guides et poser la plaque du four sur ceux-ci, en s'assurant qu'elle est correctement positionnée entre les supports avant et arrière.

Démontage des guides

- 1 - Localiser les deux clips à ressort à l'avant et à l'arrière des guides.
- 2 - Abaisser délicatement le clip à ressort antérieur.
- 3 - Eloigner le guide du côté du four ; veiller à ne pas forcer sur le clip.
- 4 - Répéter les étapes 2 et 3 sur le clip à ressort postérieur pour retirer le guide.



RECOMMANDATIONS POUR LA CUISSON AU GRILL

/ Four électrique à convection

Aliment	Sélecteur de réglage de la température	Temps de cuisson approximatif	Instructions spéciales et astuces
BGEUF	Température fixe 500°F	15 à 20 minutes	Passer au grill jusqu'à ce que le centre ne soit plus rose
Steaks hachés de bœuf, épaisseur 1/2"			
T-Bone	Température fixe 500°F	12 à 20 minutes	La durée dépend de la cuisson du steak
Bavette	Température fixe 500°F	12 à 20 minutes	Saignant ou à point
Rôti de rouelle	325°F	20 à 25 min/livre	Les petits rôtis demandent plus de temps par livre ; réduire la durée si la cuisson par convection est utilisée
Rôti de longe de PORC	325°F	20 à 25 min/livre	Poursuivre la cuisson jusqu'à ce que les jus soient clairs
VOLAILLE			
Déossée et sans peau	Température fixe 500°F	20 à 25 minutes	Poursuivre la cuisson jusqu'à ce que les jus soient clairs
Blancs de poulet			
Pilons de poulet	Température fixe 500°F	25 à 30 minutes	Enlever la peau ; poursuivre la cuisson jusqu'à ce que les jus soient clairs
Demi poulet	Température fixe 500°F	30 à 45 minutes	Tourner à l'aide de pinces ; poursuivre la cuisson jusqu'à ce que les jus soient clairs
Poulet rôti	350°F	75 à 90 minutes	Ne pas farcir ; réduire la durée si la cuisson par convection est utilisée
Dinde	325°F	20 à 25 min/livre	Ne pas farcir ; réduire la durée si la cuisson par convection est utilisée

RÉSOLUTION DES PROBLÈMES LES PLUS FRÉQUENTS EN CAS DE CUISSON AU FOUR

Problème	Cause	Remède
----------	-------	--------

Gâteaux brûlés sur les côtés et pas assez cuits au centre	Four trop chaud	Réduire la température
Gâteaux craquelés sur le dessus	Pâte trop épaisse	Suivre la recette ou ajouter du liquide
	Four trop chaud	Réduire la température
	Récipient de mauvaise taille	Utiliser un récipient de la taille recommandée
Le dessous des aliments a noirci	Porte du four ouverte trop fréquemment	Contrôler les aliments à travers la vitre de la porte du four
	Position de la grille incorrecte	Utiliser la position de grille recommandée
	Mauvais réglage du four	Choisir la cuisson conventionnelle ou par convection, selon les besoins
Le dessus des aliments a noirci	Position de la grille incorrecte	Utiliser la position de grille recommandée
	Four non préchauffé	Laisser le four préchauffer
Le dessous des aliments a noirci	Position de la grille incorrecte	Utiliser la position de grille recommandée
Cookies trop aplatis	Plaque à pâtisserie chaude	Laisser la plaque refroidir entre deux cuissons
Tartes brûlées sur les bords	Four trop chaud	Réduire la température
	Four non préchauffé	Laisser le four préchauffer
Tartes trop claires sur le dessus	Four pas assez chaud	Augmenter la température
	Four non préchauffé	Laisser le four préchauffer

Aliments	Taille du récipient de cuisson	Réglage de la température	Temps de cuisson total conseillé
Cookies	Plaque à pâtisserie 12" x 15"	375°F	8 à 12 minutes
Gâteaux à étages	Moule à manqué 8" ou 9"	350°F	25 à 35 minutes
Gâteaux bas	Récipient de cuisson 9" x 13"	350°F	30 à 40 minutes
Gâteaux bundt	Plaque à 12 savarins	325°F	60 à 75 minutes
Brownies ou barres chocolatées	Récipient de cuisson 9" x 9"	325°F	20 à 25 minutes
Biscuits	Plaque à pâtisserie 12" x 15" ou instructions sur l'emballage	425°F	10 à 15 minutes
Pains éclair	Moule 8" x 4"	350°F	55 à 70 minutes
Muffins	Plaque à 12 muffins	425°F	14 à 19 minutes
Tartes aux fruits	Diamètre 9"	425°F	35 à 45 minutes
Clafoutis	Récipient de cuisson 9" x 9"	400°F	25 à 30 minutes
Pains à la levure ou miches	Moule 8" x 4"	375°F	25 à 30 minutes
Pains moelleux	Récipient de cuisson 9" x 13"	400°F	12 à 18 minutes
Roués à la cannelle	Récipient de cuisson 9" x 13"	375°F	25 à 30 minutes
Gâteaux levés	Plaque à pâtisserie 12" x 15"	400°F	20 à 30 minutes

RECOMMANDATIONS POUR LA CUISSON AU FOUR

- affiner le positionnement selon vos expériences passées.
- Utiliser le plat à four recommandé pour la recette. Entrepoiler le ou les lèche-frites hors du four. Un élément vide présent dans le four aura un impact sur la coloration et la cuisson des aliments.
- Pour obtenir des croûtes tendres et dorées, utiliser des récipients métalliques anti-adhérents/anodisés ou polis.
- Pour des croûtes foncées et croustillantes, utiliser des récipients foncés et croustillants, utiliser en métal de couleur sombre ou un plat à four en verre. Ceux-ci peuvent nécessiter une température de cuisson plus faible de 25°F (14°C).
- Laisser un espace d'au moins 1" (25,4 mm) entre les récipients et les parois du four, de sorte que la chaleur puisse circuler entre chaque récipient.
- Pour garder le four aussi propre que possible, cuire la viande dans un plat à four plutôt que directement sur les plaques de cuisson.
- La cuisson continuera avec la chaleur résiduelle : retirer immédiatement le plat du four pour éviter qu'il ne soit trop cuit.

- Réduire autant que possible le nombre d'ouvertures et de fermetures de la porte du four pendant son utilisation.
- Utiliser le niveau recommandé pour la recette et

OBTENIR LES MEILLEURS RÉSULTATS

Une feuille peut être utilisée pour couvrir les aliments dans le four, mais celle-ci ne doit pas se situer à proximité immédiate des éléments du four. Ne pas utiliser de feuilles d'aluminium pour recouvrir la cavité du four ou un récipient placé sur le grill. Les surfaces émaillées pourraient surchauffer, se déformer et se craqueler.

four

Utilisation de feuilles d'aluminium dans le

exemple le panneau de commande. surfaces plus froides que l'intérieur du four, par des aliments. L'humidité se condensera sur les cuisson. Sa quantité dépend de la teneur en eau s'évapore des aliments lors de tout processus de Il est normal qu'une certaine quantité d'humidité

CONDENSATION

Grill

Chaleur produite uniquement par le grill

La fonction « BROIL » (grill) génère une chaleur intense depuis le haut de la cavité. Le mode de cuisson au grill est efficace avec les aliments placés sur les niveaux supérieurs.

- Biftecks, steaks de viande hachée, côtelettes d'agneau d'1 pouce (3 cm) ou moins : niveau 6.
- Viandes épaisses d'1 pouce (3 cm) ou plus, poisson, volaille, côtelettes de porc, steaks de jambon d'1 pouce (3 cm) ou plus : niveau 5.
- Brunir des aliments : niveau 6 (pas plus de 15 minutes)

Grill à convection

Chaleur produite par le grill avec convection par ventilateur

Utiliser ce mode de cuisson pour brunir et cuire uniformément des aliments de tous les côtés, dessous compris. Il est également recommandé pour des aliments délicats et difficilement retournables, comme le poisson. Le ventilateur permet la circulation de l'air autour des aliments et une cuisson uniforme. Il est possible que le degré de cuisson de chaque côté soit différent.

Le mode de cuisson avec le grill à convection doit être utilisé sur un seul niveau :

- Saucisses et morceaux de poulet : niveau 5 ou 6.
- Aliments à teneur élevée en eau, comme le bacon et les côtelettes : niveau 5 ou 6 (porte fermée 400°F)

Cuisson par convection

Chaleur produite par les éléments supérieur et inférieur du four avec convection par ventilateur

Utiliser ce mode de cuisson pour faire cuire et rôtir différents aliments en même temps, sans transmission de goût. Le ventilateur fait circuler l'air chaud dans le four et assure la cuisson uniforme de grandes quantités de nourriture. Utiliser pour faire rôtir des légumes, de la viande, de la volaille ou du poisson. Ce mode de cuisson est idéal pour cuire des produits congelés et du poisson ou du poulet pané. Il peut être utilisé pour cuire des gâteaux, des cookies, des biscuits et d'autres aliments sur plusieurs niveaux.

Utiliser le même niveau que celui du mode « BAKE » (cuisson au four standard). En cas d'utilisation de 2 niveaux, utiliser les niveaux 3 et 5.

Convection

Chaleur produite par l'élément de convection et circulation de l'air par ventilateur

Ce mode de cuisson peut être utilisé pour un grand nombre de recettes, en veillant à ajuster la durée de cuisson. En utilisant la convection, une

durée inférieure est généralement nécessaire pour atteindre les résultats escomptés. La température est uniforme dans tout le four, ce qui est particulièrement adapté pour une cuisson sur plusieurs niveaux ou pour cuire une grande quantité d'un même produit.

- Une seule grille : utiliser le même niveau que celui du mode de cuisson traditionnel.
- 2 plaques : utiliser les niveaux 3 et 5.
- 3 plaques : utiliser les niveaux 2, 4 et 6.

Pizzas

Chaleur produite par l'élément inférieur du four et l'élément circulaire, et convection par ventilateur

À utiliser pour la cuisson de pizzas, pâtisseries ou pains plats afin que le dessous soit parfaitement cuit. Utiliser le niveau 3 ou 2 pour que le dessous d'une pâte soit bien cuit.

Lumière

Utiliser cette fonction pour éclairer le four lorsque celui-ci est éteint (par exemple pour le nettoyer). Mettre le sélecteur de fonctions sur « BAKE » (cuisson au four). NE PAS tourner le bouton de réglage de la température du four.

Levage

La fonction « levage » maintient la chaleur nécessaire pour faire lever une préparation. Il est préférable de commencer avec le four froid en cas d'utilisation de cette fonction. Mettre le sélecteur de fonctions sur « BAKE » (cuisson au four). NE PAS tourner le bouton de réglage de la température du four. Ne pas ouvrir intempestivement la porte du four.

Décongélation par convection

L'air est mis en mouvement par les ventilateurs. Les ventilateurs accélèrent la décongélation naturelle des aliments sans les chauffer. NE PAS laisser les aliments à décongeler dans le four pendant plus de deux heures. Placer les aliments congelés sur une plaque de cuisson. Mettre le sélecteur des fonctions sur « CONV. ». NE PAS tourner le bouton de réglage de la température du four.

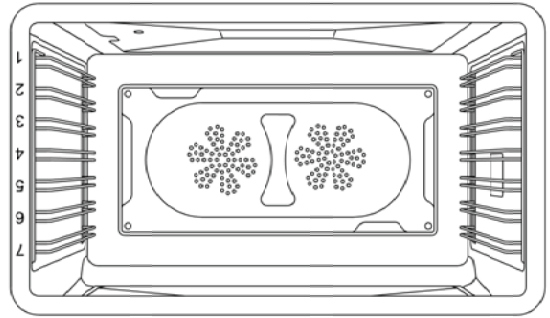
FOUR ÉLECTRIQUE À CONVECTION

/ Four électrique à convection

Attention !
Lors de la première utilisation du four, celui-ci doit être mis en marche pendant 15-30 minutes à une température d'environ 500°F/260 °C sans rien cuire à l'intérieur, afin d'éliminer les éventuelles moisissures et odeurs d'isolation interne.

POSITION DES PLAQUES

Les plaques sont montées sur les guides correspondants situés sur les côtés du compartiment du four. Insérer la plaque entre le guide supérieur et inférieur, dans l'une des 7 positions indiquées.



VENTILATEUR DE REFROIDISSEMENT

La cuisinière est équipée d'un ventilateur de refroidissement contrôlé par thermostat pour éviter que le panneau de commande et les boutons ne surchauffent. Le ventilateur de refroidissement se met en marche lorsque le four est allumé.

PRÉCHAUFFAGE DU FOUR

Le plus souvent, les temps de cuisson indiqués dans les recettes sont donnés pour un four préchauffé et nécessitent que le four soit déjà à la température requise avant d'y introduire les aliments. Le temps de préchauffage dépend du réglage de la température et du nombre de grilles présentes dans le four.

UTILISATION DU FOUR

1. Positionner la grille à la hauteur souhaitée et fermer la porte.
2. Choisir la fonction correspondante au four à l'aide du bouton dédié. La lumière dans la cavité du four s'allumera.
3. Régler la température à l'aide du bouton correspondant.

1 témoin lumineux se trouve sur le devant de la cuisinière. Le voyant allumé indique qu'un ou plusieurs éléments de chauffe sont actifs.

MODES DE CUISSON AU FOUR

Le four est équipé de 4 éléments de chauffe, à utiliser seuls ou en combinaison pour créer différents modes de cuisson :

- Élément de cuisson supérieur
- Élément de cuisson inférieur
- Élément de cuisson au grill
- Élément de cuisson par convection

Le réglage de la température et les temps de cuisson peuvent varier légèrement d'un four à un autre. Il est possible que les recettes et les temps de cuisson doivent être ajustés en conséquence.

Préchauffage

Cette fonction doit être utilisée pour un préchauffage rapide du four. C'est le moyen le plus rapide et efficace pour préchauffer la cavité du four. La fonction de préchauffage n'est pas adaptée à la cuisson.

Cuisson au four

Chaleur produite par l'élément supérieur et l'élément inférieur

Utiliser cette fonction pour les cuissons au four, les rôtis et les ragouts sur un seul niveau.

- Cuisson au four standard : niveau 3 ou 4
- Cuisson d'aliments hauts : niveau 3
- Tartes : niveau 2 ou 3 pour une bonne cuisson du fond de tarte sans que le dessus ne brunisse trop.
- Grosses pièces de viande ou volaille : niveau 2.

Cuisson par le bas

Chaleur produite uniquement par l'élément inférieur

Utiliser cette fonction à basse température pour faire mijoter des ragouts, cuire des filets ou réchauffer des plats. Utiliser à haute température pour cuisiner de savoureux gâteaux.

Utiliser le même niveau que celui du mode « BAKE » (cuisson au four standard).

Cuisson par le haut

Chaleur produite uniquement par l'élément supérieur

Utiliser cette fonction pour brunir des aliments et réchauffer des plats comme des lasagnes, une moussaka ou un gratin de chou-fleur.

Le mode de cuisson par le haut est optimal sur un niveau :

- Cuisson standard --> niveau 3 ou 4
- Cuisson d'aliments hauts : niveau 3
- Tartes : niveau 4 ou 5 pour une bonne cuisson de la pâte sans que le fond ne brunisse trop.

DIMENSIONS DE LA ZONE D'INDUCTION

Brûleur	Diam. (mm)	Diam. récipient de cuisson	Utilisation
Auxiliaire	Ø 50 mm		A utiliser avec des récipients de cuisson plus petits pour faire cuire à l'eau ou mijoter et pour la préparation de sauces.
Semi-rapide (et grill)	Ø 70 mm		A utiliser avec des récipients de cuisson de moyenne et petite taille pour des fritures normales ou des cuissons à l'eau.
Rapide	Ø 95 mm		A utiliser avec des récipients de moyenne et grande taille pour frire ou obtenir une ébullition rapide.
Double interne/externe	Ø 43/140 mm		A utiliser avec des woks, des grills et des poêles à frire, ou avec des récipients de cuisson de grande taille pour obtenir une ébullition rapide.

RECOMMANDATIONS

- Toujours positionner le récipient de cuisson de sorte qu'il soit centré sur l'élément chauffant.
- Soulever le récipient de cuisson pour le déplacer. Ne pas le faire glisser et éviter tout frottement excessif sur la surface en verre car cela pourrait la rayer.
- Ne jamais laisser de récipient de cuisson vide sur un élément chauffant, même si celui-ci est éteint.
- La puissance maximale ne doit être utilisée que pour frire ou porter un liquide à ébullition.
- Éviter de chauffer les récipients de cuisson antiadhésifs (par ex. composés d'un revêtement en téflon) au maximum.
- Éviter de ranger des objets solides et lourds dans un placard situé au-dessus de la surface de cuisson. Ils pourraient tomber accidentellement et endommager la surface en verre.
- Faire très attention à éviter les déversements de sucre ou de mélanges sucrés sur la surface de cuisson pendant son utilisation, et éviter d'utiliser des matériaux ou substances susceptibles de fondre (plastique ou feuille d'aluminium). Si cela venait à arriver, éteindre immédiatement la surface de cuisson et la nettoyer avec la raclette fournie tant que la zone de cuisson est chaude. Si la surface n'est pas nettoyée immédiatement, des résidus impossibles à éliminer une fois la zone de cuisson refroidie sont susceptibles de se former.

L - Fonction « Child lock » (sécurité enfants)

En cas d'utilisation, la surface de cuisson peut être « verrouillée » pour éviter que des enfants ne l'allument accidentellement.

Avec les zones de cuisson éteintes, tourner simultanément les boutons des zones 1 et 2 sur la gauche, jusqu'à ce que la lettre « L » apparaisse sur l'affichage, puis relâcher les boutons.
Pour la désactiver, répéter la même procédure : le « L » disparaîtra de l'affichage de la zone de cuisson, indiquant que la fonction « LOCK » (verrouillage) de la zone de cuisson a été désactivée.

U - Détection récipient de cuisson

Chaque zone de cuisson est équipée d'un dispositif de « détection de récipient », qui empêche l'allumage de la zone de cuisson tant qu'un récipient de cuisson adapté n'a pas été correctement positionné sur celle-ci.

Si l'utilisateur tente d'allumer la zone de cuisson avec un récipient de cuisson mal positionné ou constitué d'un matériau inadapté, le symbole **U** apparaîtra quelques secondes après l'allumage de la zone afin de signaler la présence d'une anomalie.

H - Chaleur résiduelle.

Chaque zone de cuisson est équipée d'un dispositif signalant la chaleur résiduelle. Après l'extinction d'une zone de cuisson, un « H » clignotant peut s'afficher, signalant que la zone de cuisson est toujours très chaude.

La cuisson peut être relancée même lorsque la lettre « H » clignote.

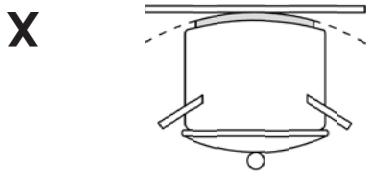
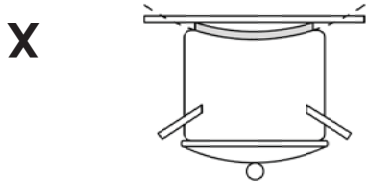
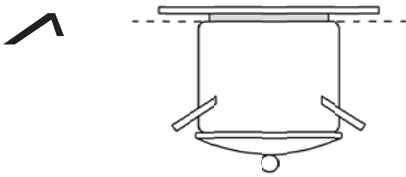
RÉCIPENTS DE CUISSON ADAPTÉS À L'INDUCTION

La technologie à induction nécessite des batteries de cuisine en fer ou en acier magnétique afin de générer le champ magnétique nécessaire au processus de chauffage.
Les batteries de cuisine en verre, en porcelaine, en céramique ou en aluminium ne fonctionneront pas sur une table de cuisson à induction.
Les récipients en verre, porcelaine, céramique ne sont pas adaptés. Les récipients en acier, aluminium ou cuivre sans fond magnétique ne conviennent pas non plus.

Le plus souvent, la compatibilité avec l'induction est indiquée sur le récipient de cuisson. Pour vérifier qu'un récipient est adapté, approcher

simplement un aimant de son fond : si l'aimant se colle au fond du récipient, il est adapté à la cuisson à induction. En l'absence d'aimant, verser une petite quantité d'eau dans le récipient de cuisson, le placer sur une zone de cuisson et l'allumer. Si le symbole **U** s'affiche, le récipient de cuisson n'est pas adapté.

Utiliser uniquement des récipients spécialement conçus pour l'induction, dotés d'un fond épais complètement plat. Si aucun récipient de ce type n'est disponible, les récipients ne doivent pas présenter de fond arrondi (concave ou convexe).



Les casseroles qui ne sont pas complètement plates et dont le fond est en retrait laissent un intervalle d'air entre la casserole et la table de cuisson, ce qui pendant le fonctionnement peut atteindre des températures très élevées pouvant endommager le dessus et les inducteurs situés sous le verre.

Pour un fonctionnement optimal, un diamètre minimum est indispensable. Des récipients de cuisson plus larges que la zone de cuisson peuvent être utilisés. S'assurer dans ce cas que le fond ne touche pas d'autres zones de cuisson et qu'il est toujours centré sur l'inducteur.

BRUIT EN FONCTIONNEMENT

Un bourdonnement ou un bourdonnement pendant le fonctionnement est normal et son intensité peut varier selon les types de batterie de cuisine. Il est normal d'entendre un bruit de ventilateur après avoir éteint la table de cuisson à induction.

LA CUISSON À INDUCTION

Sous chaque zone de cuisson se trouve une bobine, appelée inducteur. L'inducteur génère un champ magnétique variable qui utilise de l'électricité. Lorsqu'un récipient de cuisson est placé à l'intérieur de ce champ magnétique, le courant à haute fréquence rayonne directement sur le fond du récipient et génère la chaleur nécessaire à la cuisson.

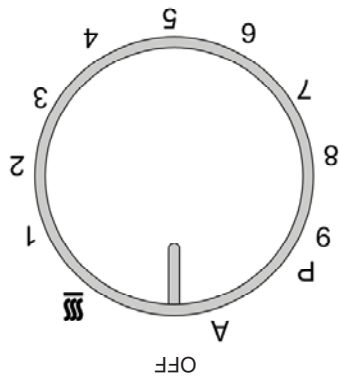
Après l'utilisation, l'affichage peut indiquer la lettre « H » en présence de chaleur résiduelle. La lettre « H » disparaît lorsque la température descend en dessous de 140°F/60°C.

ALLUMAGE DES ÉLÉMENTS À INDUCTION

Le symbole au-dessus de chaque bouton indique l'élément qu'il contrôle.

La puissance est réglée à l'aide du bouton et indiquée sur l'affichage de la surface de cuisson.

Pour allumer une zone de cuisson, appuyer sur le bouton de réglage (fig. 14A-14B) correspondant et le tourner dans le sens horaire. La puissance va d'une valeur minimum de 1 à une valeur maximum de 9.

UTILISATION DES FONCTIONS SPÉCIALES
A - Mode « Heating Accelerator »

(accélérateur de chauffe)

L'accélérateur de chauffe permet à chaque zone d'être chauffée à une puissance maximale pendant une durée proportionnelle à la valeur de chauffe choisie.

- Tourner le bouton dans le sens anti-horaire, le mettre sur « A » puis le relâcher. La lettre « A » apparaît sur l'affichage de la surface de cuisson. Après 3 secondes, il est possible de choisir la valeur de puissance souhaitée. Une fois sélectionnée une valeur comprise entre 1 et 9, la lettre « A » et le réglage souhaité clignoteront alternativement sur l'affichage.


Pendant le fonctionnement de l'accélérateur de chauffe, il est possible d'augmenter à tout moment le niveau de chauffe. La durée de chauffe à pleine puissance sera modifiée en conséquence. Si la puissance est réduite en tournant le bouton dans le sens anti-horaire, l'option « A » est

- Mode « Holding » (Maintien de la température)

Le mode « Holding » permet de maintenir la température du fond d'un récipient de cuisson à environ 160°F/70°C. Les aliments peuvent ainsi être réchauffés lentement et rester chauds, avec une consommation d'énergie optimale. Le mode « Holding » peut rester en fonction pendant 2 heures maximum.

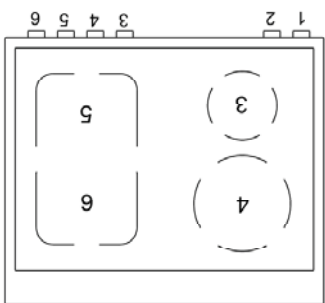
Le mode « Holding » est indiqué par le symbole correspondant au niveau des zones de cuisson.

- Mode « Bridge » (pont)

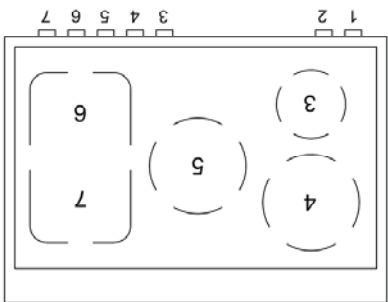
- Le mode « Bridge » permet d'utiliser les 2 zones de cuisson du côté droit comme une seule et peut être activé lorsque ces zones sont utilisées en mode « Bridge ».
- Tourner simultanément les deux boutons arrière droit et avant droit en position « P » et les maintenir dans cette position.
- Le symbole  clignotera sur l'affichage, puis retournera au niveau de puissance défini.
- Pour contrôler le niveau de puissance du pont, utiliser le bouton 4 (zone avant droite). En tournant le bouton 3 (zone arrière droite), l'affichage indique un segment horizontal et le mode « Bridge » est désactivé.


SURFACE DE CUISSON ET BOUTONS

1	Élément chauffant
2	Thermostat four
3	Élément à induction avant gauche
4	Élément à induction arrière gauche
5	Élément à induction avant droit
6	Élément à induction arrière droit



1	Élément chauffant
2	Élément à induction avant gauche
3	Élément à induction arrière gauche
4	Thermostat four
5	Élément à induction central
6	Élément à induction avant droit
7	Élément à induction arrière droit



AVERTISSEMENT:  Cancer et Troubles de l'appareil repro-ducteur
www.P65Warnings.ca.gov

Risque de décharge électrique !

S'assurer que tous les boutons de réglage sont sur « OFF » et que le four est FROID avant le nettoyage. Le non-respect de cette consigne peut entraîner des brûlures ou une décharge électrique.

NE PAS toucher l'ampoule électrique du four chaud avec un linge humide, cela pourrait la faire éclater. Si l'ampoule venait à se casser, débrancher l'alimentation électrique de la cuisinière avant de retirer l'ampoule afin d'éviter toute décharge électrique.

Ne JAMAIS couvrir les orifices, fentes ou passages du fond de four, ni une grille entière avec des matériaux tels que des feuilles d'aluminium. Cela bloque la circulation de l'air dans le four et peut entraîner un empoisonnement au monoxyde de carbone. Les revêtements en feuille d'aluminium peuvent aussi emprisonner la chaleur et entraîner un risque d'incendie.

Risque de brûlure

La porte du four, en particulier la vitre, peut devenir très chaude. NE PAS toucher la vitre de la porte du four !

Avvertissement – risque de basculement

Les enfants et les adultes peuvent faire basculer la cuisinière si celle-ci n'a pas été fixée au mur, ce qui pourrait entraîner des blessures mortelles.



Pour réduire le risque de basculement de l'appareil, celui-ci doit être fixé au moyen de dispositifs anti-basculement, conformément aux instructions d'installation. Remettre en place les dispositifs anti-basculement après tout déplacement de la cuisinière. Ne pas utiliser la cuisinière si les dispositifs anti-basculement ne sont pas en place et enclenchés. Ne pas utiliser la cuisinière si les dispositifs anti-basculement n'ont pas été correctement installés et enclenchés. Pour plus d'informations, consulter les instructions d'installation.

Le non-respect des instructions d'installation peut occasionner des blessures graves, voire mortelles, aux enfants et aux adultes.

- Les surfaces supérieures ou adjacentes à la cuisinière pourraient être suffisamment chaudes et causer des brûlures. Ne pas toucher la surface de cuisson tant que le voyant indiquant une chaleur résiduelle sur la surface vitrocéramique est allumé. Cela indique que la température dans la zone correspondante est encore élevée.
 - NE PAS CUISINER SUR UNE SURFACE DE CUISSON CASSÉE – En cas de rupture de la surface de cuisson, des solutions nettoyantes et des projections peuvent pénétrer dans la zone abîmée et générer un risque de décharge électrique. Contacter sans attendre un technicien qualifié.
 - Surveiller attentivement les enfants, qui pourraient ne pas voir les voyants indiquant une chaleur résiduelle. Même éteintes, les surfaces de cuisson restent chaudes pendant quelques temps après l'utilisation. S'assurer que les enfants ne puissent pas les toucher.
 - Ne JAMAIS utiliser de feuilles d'aluminium pour contenir la nourriture cuisinée sur une surface de cuisson vitrocéramique.
 - Ne jamais poser de récipients de cuisson aux fonds irréguliers ou abîmés sur la surface de cuisson. En cas de chute d'un récipient lourd sur la surface de cuisson, celle-ci ne se cassera pas. En revanche, si un objet dur tel que la saïère ou un bocal à épices percute le bord ou l'angle de la surface de cuisson, la surface de cuisson pourrait se casser.
 - Ne jamais utiliser la surface de cuisson vitrocéramique comme support.
 - Utiliser uniquement des produits de nettoyage fabriqués spécialement pour des surfaces de cuisson vitrocéramiques.
 - Les objets métalliques, tels que des couverts ou des couvercles, ne doivent jamais être posés sur la surface de cuisson car ils pourraient devenir brûlants.
- Interférences radio – Cuisinières à induction**
- Cette cuisinière génère, utilise et peut émettre de l'énergie radioélectrique ; si elle n'est pas installée et utilisée conformément aux instructions, elle peut entraîner des interférences avec les communications radio. Aucune garantie ne peut cependant être donnée quant à l'absence d'interférences pour une installation donnée. Si la cuisinière génère effectivement des interférences dommageables à la bonne réception de la radio ou de la télévision, ce qui peut être vérifié en allumant et en éteignant la cuisinière, l'utilisateur est invité à tenter de remédier aux interférences en adoptant une ou plusieurs de ces mesures :
- Réorienter ou repositionner l'antenne de réception.
 - Augmenter la distance entre la cuisinière et l'appareil récepteur.
 - Brancher la cuisinière à une prise appartenant

- Ne JAMAIS toucher les zones proches des brûlures du four et du grill ou les surfaces intérieures du four. Les brûlures du four et du grill peuvent être chauds même s'ils sont noirs. Les zones à proximité des brûlures et les surfaces intérieures du four peuvent devenir très chaudes et causer des brûlures.
 - Pendant et après l'utilisation, NE PAS toucher ou laisser de vêtements ou tout autre matériau inflammable entrer en contact avec des éléments chauffants, avec les zones près de ces éléments ou avec des surfaces intérieures du four tant qu'ils n'ont pas suffisamment refroidi. D'autres surfaces du four peuvent devenir très chaudes et causer des brûlures, comme les orifices de ventilation du four, la surface près de ces orifices et la fenêtre de la porte du four.
- Éléments chauffants du four**
- Ne JAMAIS toucher les zones proches des brûlures du four et du grill ou les surfaces intérieures du four. Les brûlures du four et du grill peuvent être chauds même s'ils sont noirs. Les zones à proximité des brûlures et les surfaces intérieures du four peuvent devenir très chaudes et causer des brûlures.
 - Pendant et après l'utilisation, NE PAS toucher ou laisser de vêtements ou tout autre matériau inflammable entrer en contact avec des éléments chauffants, avec les zones près de ces éléments ou avec des surfaces intérieures du four tant qu'ils n'ont pas suffisamment refroidi.
 - Eteindre l'appareil et attendre que toutes ses parties aient refroidi avant de les toucher ou de les nettoyer. NE PAS toucher les grilles des brûlures ou les zones adjacentes avant qu'elles n'aient suffisamment refroidi.
 - La cuisinière doit être nettoyée avec précaution. Pour éviter les brûlures dues à la vapeur, NE PAS utiliser d'éponge ou de linges humides pour nettoyer la cuisinière tant qu'elle est chaude. Certains produits nettoyants génèrent des fumées nocives en cas de contact avec une surface chaude. Suivre les consignes données par le fabricant du produit nettoyant.
 - NE PAS nettoyer, frotter, abîmer, déplacer ou retirer le joint de la porte. Il est essentiel afin de garantir une fermeture hermétique lors de l'utilisation du four. Si le joint est usé ou excessivement sali par des particules alimentaires, il doit être remplacé afin de garantir une bonne étanchéité.
- Précautions à prendre en cas de coupure d'électricité**
- Pour des raisons de sécurité liées au risque de blessure en cas de tentative d'allumage et d'extinction des brûlures du four, le grill et le brûleur du four ne doivent pas être utilisés en cas de coupure d'électricité. Le bouton de réglage du four doit toujours rester sur « OFF » pendant une coupure d'électricité. Ne JAMAIS utiliser la cuisinière comme appareil de chauffage ou pour chauffer une pièce, afin d'éviter tout danger potentiel pour l'utilisateur et tout dommage à la cuisinière. De même, NE PAS utiliser le dessus de la cuisinière ou le four comme espace de stockage pour de la nourriture ou des ustensiles de cuisine.

de la porte du four. Ceux-ci pourraient s'enflammer et entraîner des brûlures.

- TOUJOURS mettre en place les grilles du four aux niveaux souhaités pendant que le four est froid. Utiliser des maniques sèches et résistantes pour manipuler les grilles du four ou pour introduire ou retirer les aliments à cuire.
- TOUJOURS éviter d'introduire les mains dans le four pour ajouter ou retirer des aliments. Si une grille doit être manipulée alors qu'elle est chaude, utiliser une manique sèche.
- TOUJOURS éteindre le four une fois la cuisson terminée.
- Manipuler la porte du four avec précaution. Laisser l'air chaud ou la vapeur sortir avant d'introduire ou de retirer des aliments.
- NE PAS cuire directement sur le fond de four. Cela pourrait endommager la cuisinière. Toujours utiliser les grilles en cas de cuisson au four.

Ne pas brancher d'appareils aux prises situées au-dessus ou à proximité de la surface de cuisson à induction. L'isolation du cordon d'alimentation pourrait fondre en cas de contact avec la chaleur et entraîner des blessures et des dommages matériels.

Ustensiles recommandés

- Utiliser des récipients de cuisson à fond plat, dotés de poignées faciles à manipuler et non conductrices de chaleur. Éviter d'utiliser des récipients de cuisson instables, gauchis, avec des poignées desserrées ou se renversant facilement. Éviter également d'utiliser des récipients de cuisson, notamment de petite taille, avec des poignées lourdes, car ils pourraient être instables et se renverser facilement. Les récipients de cuisson sont très lourds une fois remplis et peuvent être dangereux.
- S'assurer que l'ustensile utilisé est assez grand pour contenir toute la nourriture sans déborder. La taille du récipient de cuisson est fondamentalement en cas de friture. S'assurer que le récipient de cuisson sera adapté au volume de nourriture prévu ainsi qu'au bouillonnement produit par la matière grasse.
- Pour réduire le risque de brûlures, d'inflammation de matériaux inflammables et de déversement lié à un contact involontaire avec l'ustensile, NE PAS placer les poignées au-dessus des brûleurs adjacents. TOUJOURS tourner les poignées du récipient de cuisson vers le côté ou l'arrière de la cuisinière et non pas vers la pièce, où elles pourraient être facilement touchées ou saisies par de jeunes enfants.
- Ne JAMAIS laisser un récipient de cuisson chauffer à sec ; cela pourrait abîmer l'ustensile et la cuisinière.
- Suivre les consignes du fabricant en cas d'utilisation de sacs de cuisson.
- Seuls certains types d'ustensiles en verre, vitrocéramique, céramique ou matériau émaillé sont adaptés à une utilisation sur les brûleurs de surface ou dans le four, sans risque de rupture due à un choc thermique. Suivre les instructions du fabricant en cas d'utilisation de verre.

- Une fois la cuisinière installée conformément aux instructions d'installation, il est important de veiller à ce que l'arrivée d'air ne soit pas obstruée. L'utilisation d'un appareil de cuisson à gaz génère de la chaleur et de l'humidité dans la pièce où il est installé.
- S'assurer que la cuisine est correctement ventilée. Veiller à ce que les orifices de ventilation naturels restent ouverts ou installer une ventilation mécanique. L'utilisation prolongée ou intensive de la cuisinière peut nécessiter une ventilation supplémentaire (par ex. l'ouverture d'une fenêtre) ou plus efficace (par ex. une ventilation mécanique de capacité supérieure).
- Ne JAMAIS utiliser de feuilles d'aluminium pour couvrir les grilles ou le fond de four. Cela pourrait entraîner un risque de décharge électrique, d'incendie ou de dommage à la cuisinière. Les feuilles d'aluminium doivent être utilisées conformément aux consignes données dans ce manuel.
- Pour éliminer tout risque lié aux brûleurs de surface chauds, ne pas positionner de placards directement au-dessus de la cuisinière. La température pourrait se révéler dangereuse pour certains éléments, par exemple des liquides volatils, des produits nettoyants ou des bombes aérosols.
- TOUJOURS placer un récipient de cuisson sur un brûleur de surface avant de l'allumer. S'assurer de savoir à quel bouton correspond chaque brûleur de surface. S'assurer que le brûleur correct est allumé. Une fois la cuisson terminée, éteindre le brûleur avant de retirer le récipient de cuisson pour éviter de s'exposer à une flamme.
- Veiller à TOUJOURS régler la flamme du brûleur de sorte qu'elle ne dépasse pas du fond du récipient de cuisson. Une flamme excessive est dangereuse, gaspille de l'énergie et peut endommager la cuisinière, le récipient de cuisson ou les placards situés au-dessus de la cuisinière. Ces consignes sont données à des fins de sécurité.
- Ne JAMAIS laisser une opération de cuisson en surface sans surveillance, notamment en cas de cuisson à haute température ou de friture. Les températures excessives génèrent des fumées et des projections grasses peuvent s'enflammer. Nettoyer les projections de grasse dès que possible. NE PAS cuire à haute température pendant de longs moments.
- NE PAS faire chauffer de contenueurs alimentaires fermés. L'accumulation de pression peut faire exploser le conteneur et engendrer des blessures. TOUJOURS laisser refroidir les substances grasses utilisées pour la friture avant de les déplacer ou de les manipuler.
- Ne JAMAIS porter de vêtements réalisés dans des matières inflammables, non attachés ou à manches longues pendant une cuisson. Les vêtements peuvent s'enflammer ou s'accrocher aux poignées d'un ustensile. NE PAS positionner de serviettes ou autres éléments sur les poignées

Sécurité en cuisine

Un technicien certifié devra intervenir pour tout réglage ou conversion aux gaz naturel ou LPG.

Pour prévenir les incendies ou les dommages liés à la fumée :

- S'assurer que tous les matériaux d'emballage ont été retirés de la cuisinière avant son utilisation.
- Ne jamais laisser de vêtements, de maniques ou d'autres matériaux inflammables entrer en contact avec un élément, brûleur de surface ou grille de brûleur, tant qu'il n'a pas refroidi, ou à proximité immédiate de ce type d'élément.
- Si la cuisinière est installée près d'une fenêtre, prendre les précautions adaptées pour empêcher les rideaux de passer au-dessus des brûleurs.
- Ne jamais laisser d'objets sur la surface de cuisson. L'air chaud sortant de l'orifice de ventilation peut enflammer des objets inflammables ou augmenter la pression dans des contenants fermés et les faire exploser.
- Un grand nombre de bombes aérosol sont hautement inflammables et peuvent EXPLOSER en cas d'exposition à la chaleur. Éviter de les entreposer ou de les utiliser près de la cuisinière.

En cas d'incendie

- Éteindre la cuisinière et la hotte d'extraction pour empêcher la diffusion des flammes. Éteindre les flammes puis rallumer la hotte pour éliminer la fumée et les odeurs.
- Surface de cuisson : Pour étouffer un feu ou des flammes dans une casserole, utiliser un couvercle ou une plaque à pâtisserie.
- Ne JAMAIS se saisir ou déplacer une casserole enflammée.
- Four : Pour étouffer un feu ou des flammes, fermer la porte du four. NE PAS utiliser d'eau sur des graisses enflammées. Utiliser du bicarbonate de soude, un extincteur à poudre chimique ou à mousse pour éteindre un feu ou des flammes ou, le cas échéant, un extincteur à poudre chimique ou à mousse multi-usage.

Sécurité des enfants

- Ne JAMAIS laisser d'enfants seuls ou sans surveillance près de la cuisinière lorsque celle-ci est en fonctionnement ou encore chaude.
- Ne JAMAIS laisser d'enfants s'asseoir ou marcher sur des éléments de la cuisinière, car ils pourraient être blessés ou brûlés.
- NE PAS placer d'objets susceptibles d'intéresser les enfants sur la cuisinière. Ils pourraient être gravement blessés en tentant de grimper pour atteindre ces objets.

Les avertissements et les consignes de sécurité contenus dans ce manuel ne couvrent pas toutes les situations et conditions susceptibles de survenir. Procéder avec bon sens et attention et avec le plus grand soin lors de l'installation, de l'entretien ou de l'utilisation de l'appareil.

Les instructions doivent avoir été lues et comprises avant toute utilisation de l'appareil, afin d'éviter les risques potentiels d'incendie, de décharge électrique, de blessures ou de dommages à l'appareil résultant d'une utilisation inappropriée. L'appareil doit uniquement être utilisé aux fins prévues et décrites dans ce manuel.

Ranger soigneusement ce manuel pour toute consultation future par l'inspecteur électrique local. Après avoir lu ces instructions, les ranger soigneusement en vue d'une future consultation. Respecter les réglementations, normes et lois en vigueur.

Avertissement !

Pour éviter les risques de lésion, de blessure mortelle ou de dommages aux biens, suivre scrupuleusement les informations contenues dans ce manuel visant à prévenir les incendies ou les explosions. NE PAS entreposer ou utiliser de l'essence ou d'autres liquides et vapeurs inflammables à proximité de l'appareil.

Que faire en cas d'odeur de gaz :

N'allumer aucun appareil. Ne toucher aucun interrupteur électrique. N'utiliser aucun téléphone dans l'habitation. Appeler immédiatement le fournisseur de gaz depuis le téléphone d'un voisin. Suivre les instructions du fournisseur de gaz. S'il n'est pas possible de joindre le fournisseur de gaz, appeler le service des pompiers.

REMARQUE : L'installation et l'entretien doivent être réalisés par un installateur qualifié, une agence spécialisée ou un fournisseur de gaz.

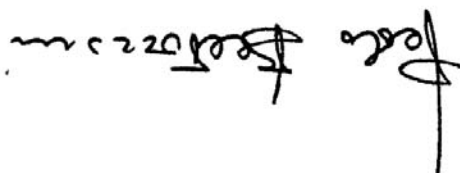
Massachusetts :

Tout appareil au gaz doit être installé par un plombier ou un installateur de gaz agréé par l'état. Une vanne manuelle de gaz à poignée de type « T » doit être installée sur la conduite d'alimentation en gaz de l'appareil.

Pour un fonctionnement correct et en toute sécurité : l'appareil doit être correctement installé et mis à la terre par un technicien qualifié. NE PAS tenter de régler, réparer, réviser ou remplacer un composant de l'appareil à moins que le présent manuel ne le recommande spécifiquement. Toute autre intervention doit être réalisée par un opérateur qualifié. L'installateur montrera l'emplacement de la vanne de fermeture du gaz et les modalités d'arrêt en cas d'urgence.

TABLE DES MATIÈRES

4	AVERTISSEMENTS
8	SURFACE DE CUISSON ET BOUTONS
9	SURFACE DE CUISSON À INDUCTION
9	La cuisson à induction
9	Allumage des éléments à induction
9	Utilisation des fonctions spéciales
10	Récipients de cuisson adaptés à l'induction
11	Dimensions de la zone d'induction
11	Recommandations
12	FOUR ÉLECTRIQUE À CONVECTION
12	Position des plaques
12	Ventilateur de refroidissement
12	Préchauffage du four
12	Utilisation du four
12	Modes de cuisson au four
13	Fonctions spéciales
14	Condensation
14	Obtenir les meilleurs résultats
14	Recommandations pour la cuisson au four
15	Recommandations pour la cuisson au grill
15	Résolution des problèmes les plus fréquents en cas de cuisson au four
16	Indicateur de température du four
16	Guides télescopiques
17	NETTOYAGE DE VOTRE CUISINIÈRE BERTAZZONI
18	ENTRETIEN COURANT
18	Remplacement des ampoules du four
19	Nettoyage de l'intérieur de la porte vitrée
20	RÉSOLUTION DES PROBLÈMES
21	GARANTIE LIMITÉE DE DEUX ANS



Paolo Bertazoni
Président

Nous vous souhaitons de profiter pleinement de toutes ses possibilités !

Le présent manuel vous aidera à utiliser et à entretenir de la manière la plus sûre et efficace le produit Bertazoni dont vous avez fait l'achat, de sorte qu'il puisse vous apporter la plus grande satisfaction lors des années à venir.

En réalisant des produits à l'esthétique sans pareille, nous répondons aux attentes de nos clients en matière de design irréprochable. En réalisant des produits polyvalents et simples à utiliser, cuisiner avec Bertazoni devient un vrai plaisir.

Aujourd'hui, nos produits se distinguent de leurs concurrents puisqu'ils représentent l'incroyable union d'un design purement italien et d'une technologie d'avant-garde. Notre mission est de réaliser des produits qui fonctionnent parfaitement et procurent du plaisir à leurs utilisateurs.

Ma famille s'est lancée dans la fabrication d'équipements de cuisine en Italie en 1882, se bâtissant ainsi une solide réputation en termes de qualité de conception ainsi qu'une véritable passion pour la gastronomie.

Je tiens à vous remercier d'avoir choisi l'un de nos magnifiques produits pour votre habitation.

Cher nouveau propriétaire d'un produit Bertazoni,

Le mot du Président



**SURFACE DE CUISSON À INDUCTION
MODELE AVEC FOUR ELECTRIQUE À NETTOYAGE MANUEL**

**BERTAZZONI
MANUEL D'UTILISATION**