

CHIMNEY HOOD

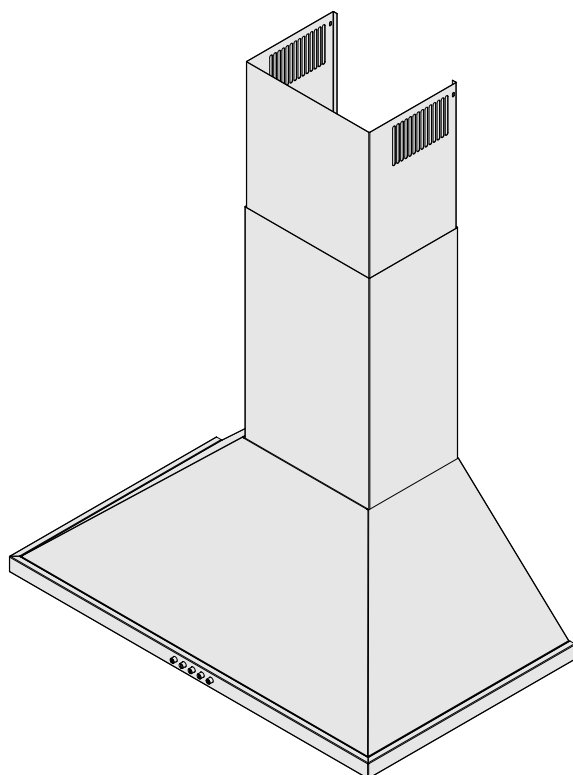
• Installations instructions

EN

HOTTE DE CUISINE

• Instructions pour le montage

FR



Please kindly register on our web site www.bertazzoni.com to validate your new product warranty and help us to assist you better in case of any inconvenience.

TWO YEAR LIMITED WARRANTY

The warranties provided by Bertazzoni Spa in this statement apply exclusively to Bertazzoni appliances and accessories sold as new products to the original owner by a Bertazzoni authorized distributor, retailer, dealer or service center and installed in the United States and Canada. The warranties provided in this statement are not transferable and have validity from the date of installation.

COVERAGE INFORMATION

Bertazzoni Spa will repair or replace any component part which fails or proves defective due to materials and/or workmanship within 2 years from the date of installation and under conditions of normal residential use. Repair or replacement will be free of charge, including labor at standard rates and shipping expenses. Repair service must be performed by a Bertazzoni Authorized Service Center during normal working hours.

COSMETIC WARRANTY

Bertazzoni will cover parts showing cosmetic defects in material and workmanship for a period of thirty (30) days from date of installation of the unit. This coverage will include scratches, stains, surface imperfections on stainless steel, paint and porcelain, with the exclusion of slight differences in color due to materials and painting/enamelling technologies.

Exclusions are labor costs, B stock items, out-of-box appliances and display units.

HOW TO OBTAIN SERVICE

To obtain warranty service please contact Bertazzoni Customer Service at the numbers below and provide model number, serial number and date of purchase.

ENGLISH 866 905 0010 - FRANCAIS 800 561 7265

Save proof of original purchase or of original installation to establish warranty period. Copy of the product serial tag is affixed to the back cover of the instruction manual.

WHAT IS NOT COVERED

1. The product used in any commercial/business application.
2. Repair service provided by other than a Bertazzoni authorized service agent.
3. Damage or repair service to correct service provided by an unauthorized agency or the use of unauthorized parts.
4. Installation not in accordance with local electrical codes or plumbing codes.
5. Defects or damage due to improper storage of the product.
6. Defects or damage or missing parts on products sold out of the original factory packaging or from displays.
7. Service calls or repairs to correct the installation of the product and/or related accessories.
8. Service calls to connect, convert or otherwise repair the electrical wiring / gas line / water line to properly use the product.
9. Service calls to provide instructions on the use of a Bertazzoni product.

10. Repair service due to product usage in manner other than what is normal and customary for home use.

11. Replacement of wear and tear parts.

12. Replacement of glasses and lightbulbs if they are claimed to have failed later than 30 days after installation and in no case later than 4 months after date of purchase.

13. Defects and damages arising from accident, alteration, misuse, abuse, improper installation.

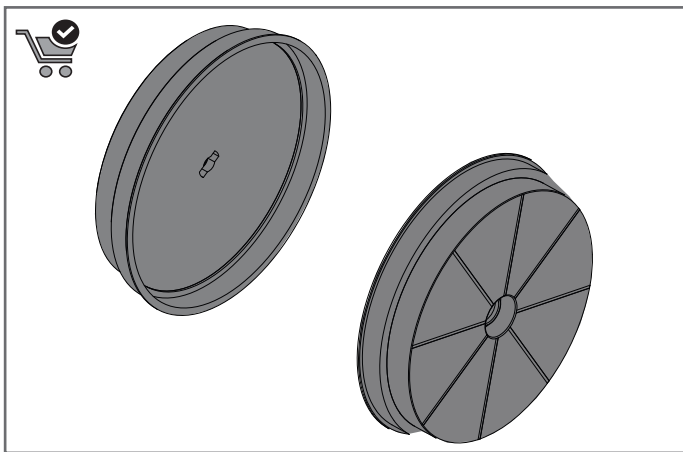
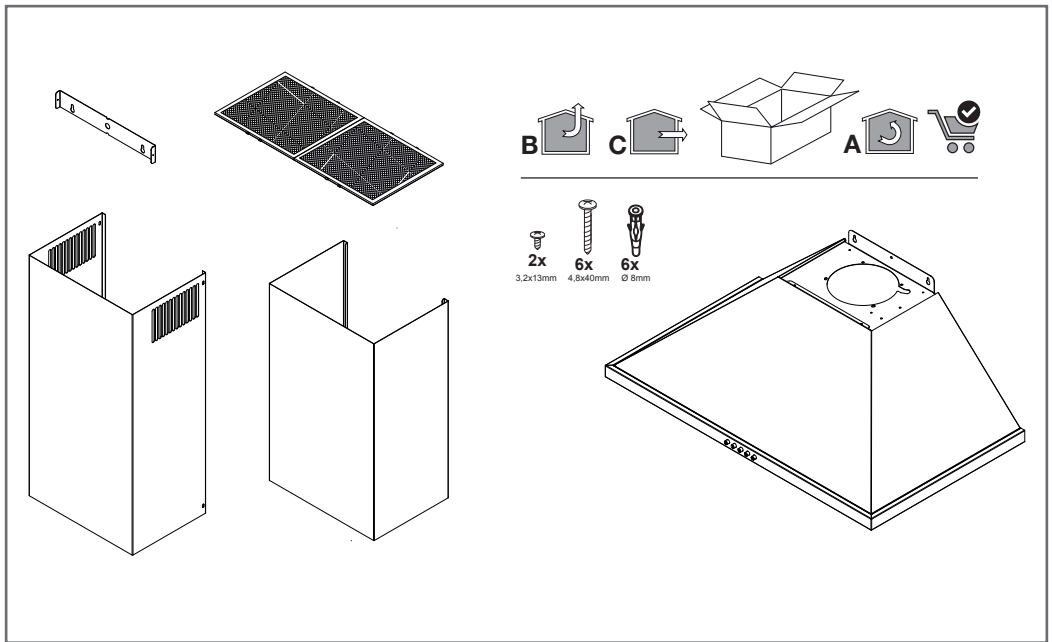
14. Defects and damages arising from transportation of the product to the home of the owner.

15. Defects and damage arising from external forces beyond the control of Bertazzoni Spa such as fire, flood, earthquakes and other acts of God.

In case the product will be installed in a remote area, where certified trained technicians are not reasonably available, the customer will be responsible for the transportation costs for the delivery of the product to the nearest authorized service center or for the displacement costs of a certified trained technician.

Bertazzoni does not assume any responsibility for incidental or consequential damages.

Some states do not allow the exclusion or limitation of incidental or consequential damages, so the above limitation or exclusion may not apply to you. This warranty gives you specific legal rights and you may also have other rights which may vary from state to state or province to province.



Charcoal filter kit for recirculation cod. 901488

Kit de filtre à charbon pour recirculation cod. 901488

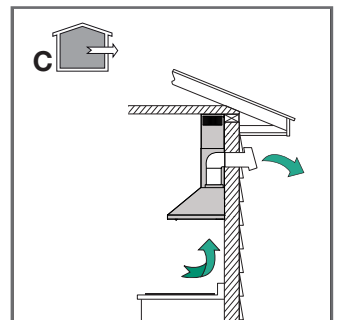
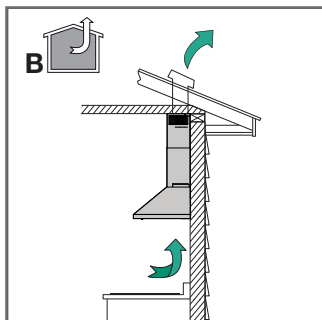
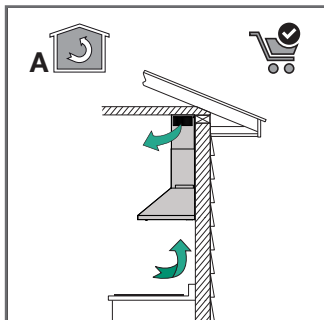


Fig.1

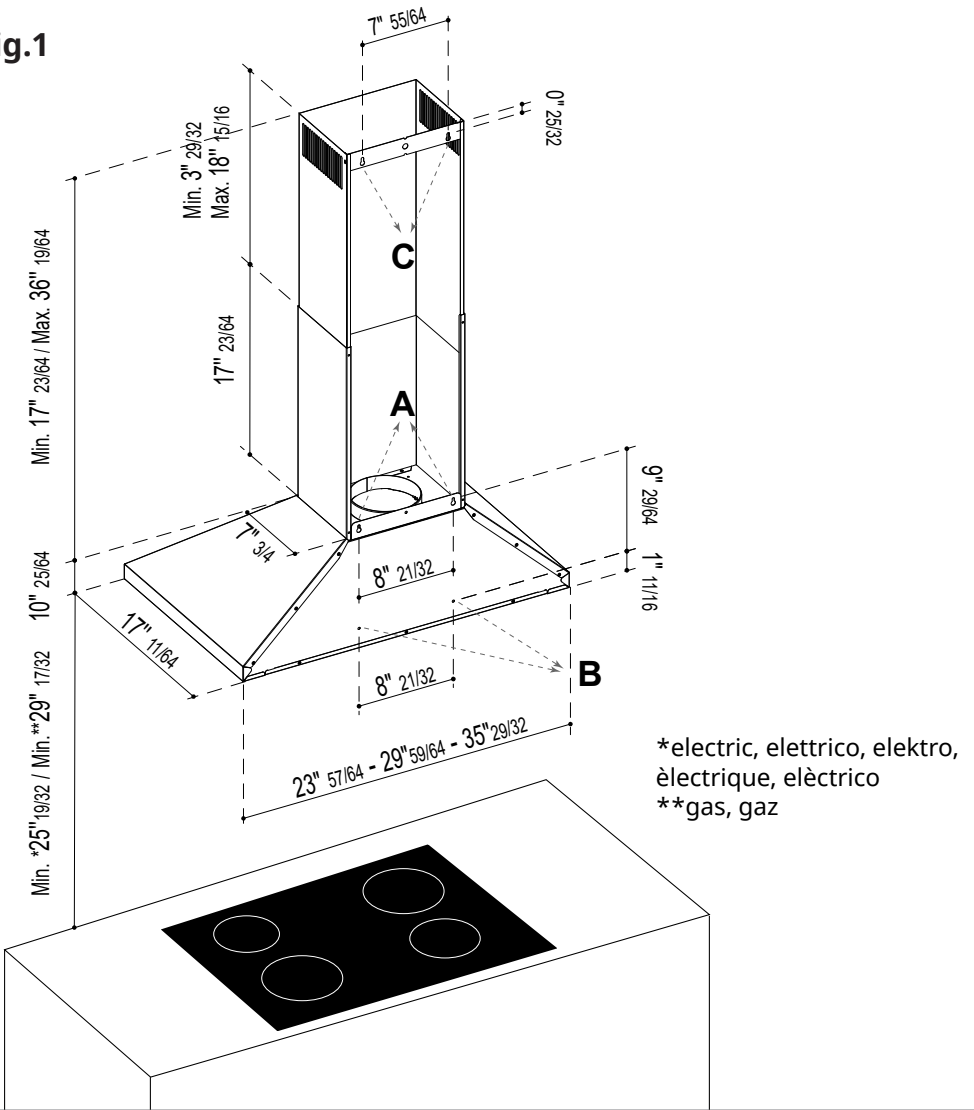


Fig.2

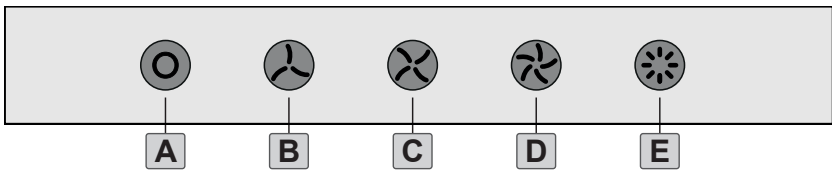


Fig.4

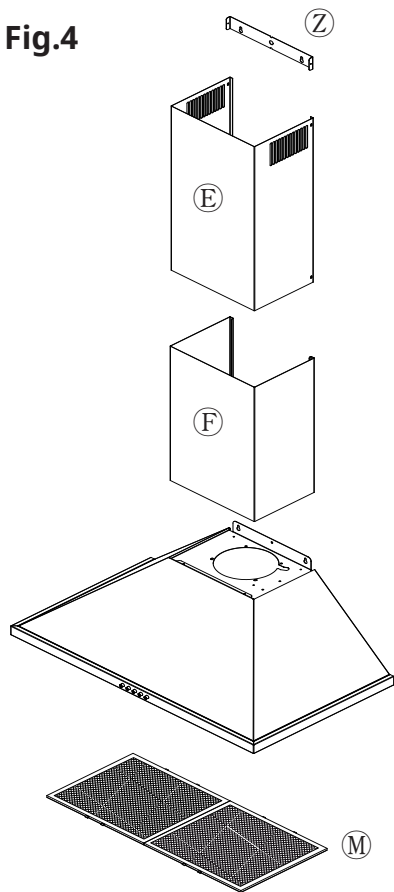


Fig.5

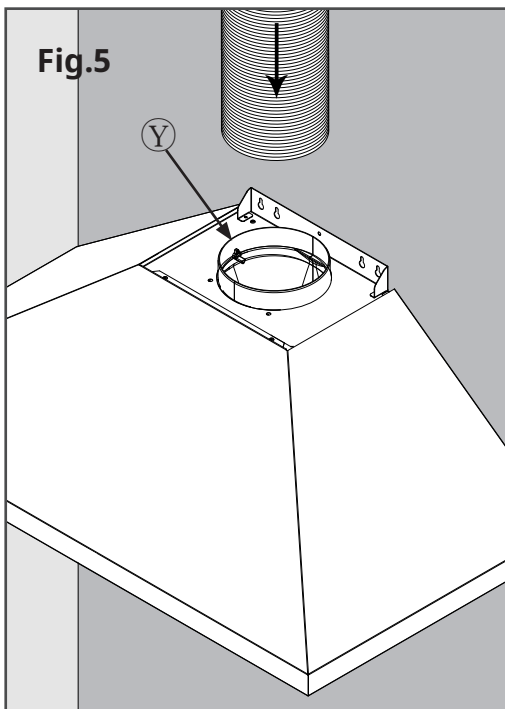


Fig.7

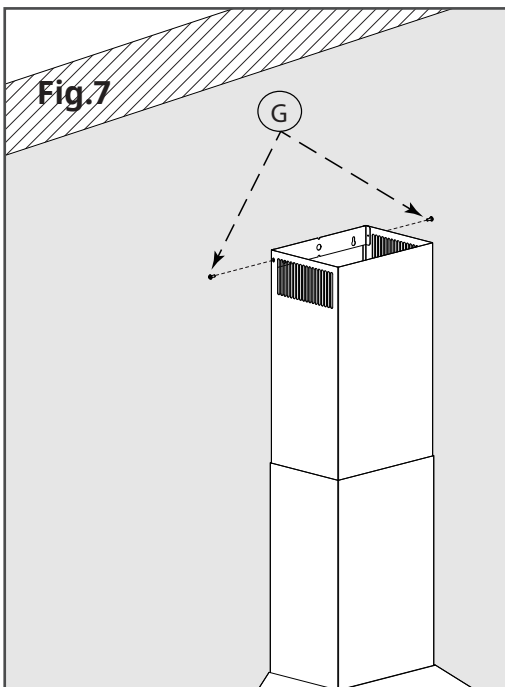
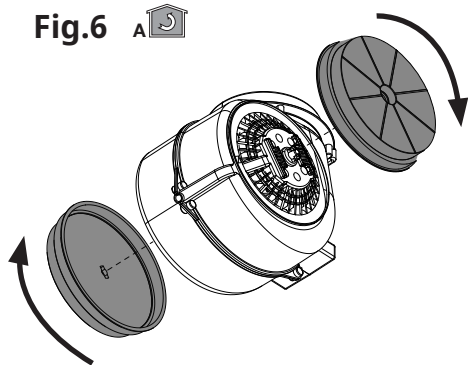


Fig.6



IMPORTANT SAFETY INSTRUCTIONS

Carefully read the following important information regarding installation safety and maintenance. **READ AND SAVE THESE INSTRUCTIONS** for future reference.

REQUIREMENTS:

UL 350W AC 120V, 60 Hz 3.3A Circuit grounding.

INTENDED FOR DOMESTIC COOKING ONLY !**IMPORTANT SAFEGUARDS**

- Do not connect the exhaust hood to the chimneys, flues and airducting the room.
- The evacuated air must not be let into a warm air duct.
- This appliance must be connected to a system equipped with earth or ground plate.
- When performing maintenance operations, disconnect the appliance from the field connection.
- Do not do any flambè cooking underneath the hood - When frying, never leave the pan alone because the cooking oil could flare up.
- Clean all the surfaces frequently to avoid danger of fire. To do so use a cloth and or brush soaked in denatured ethyl alcohol. It also important to remove and clean or substitute frequently the filter installed in the hood.
- It advisable to utilise ranges of the same width as the hood.
- Do not operate with a damaged cord or plug. Discard fan or return to an authorized service facility for examination and/or repair.
- Do not run cord under carpeting. Do not cover with throw rugs, runners or similar coverings. Position cord away from any area subject to foot traffic.
- Do not route cord under furniture or appliances.
- Do not operate any fan with a damaged cord or plug. Discard fan or return to an au-

thorized service facility for examination and/or repair. Do not run cord under carpeting.

- Wiring shall be protected from sharp edges (including male screw threads), burrs, fins, moving parts, and other agencies that might abrade the insulation on conductors.

INTRODUCTION

These instructions are designed to tell you of the various technical details of your cooker hood and to make you familiar with its use. Since these instructions cover more than one type of hood within the same series, it may be that reference is made to components that do not form part of the hood that you are installing. If used in exhaust mode, the hood will expel exhaust fumes outdoors through a duct. Fittings can vary from country to country. We reserve the right to modify the product without any notice always with the aim of improvements and in compliance with the relevant norms.

SUGGESTIONS FOR USING THE HOOD IN EXHAUST MODE

When an exhaust hood and a combusive heat source (es. gas surface burners) are used simultaneously, the suction of the hood may interfere with the airflow necessary for maintaining proper combustion on the heat source, creating depression.

To avoid this effect, the maximum depression in the room should not exceed 0,04 mbar (0,016 inH₂O 4°C).

This can be achieved by creating a permanent opening in the room, allowing in sufficient ventilation from which the burner can draw necessary air undisturbed by the suction of the hood.

Note : All the exhaust ductwork in the apartment or house should be carefully verified. In case of doubts, get advice or carefully verified from the person or agency responsible for the building.

Note : The efficiency of the exhaust hood decreases as the length of the ducts and number of increase. When using the

exhaust version, follow these rules : Do not connect the exhaust hood to chimneys, flues, and air ducts serving the room. Before venting into exhaust flues and ducts no longer in use, ask for approval of person or agency responsible for the building. The evacuated air must not be let into a warm air duct. For the evacuation of the exhausted air please note official instructions.

INSTALLATION

The hood may be in recirculating or in exhaust version (see A-B-C pag.2). Decide from the outset which type is to be installed. For better efficiency, we recommend installing the hood in the exhaust version (if possible).



RECIRCULATING VERSION (A)

The hood purifies the air and recycles the clean air back into the room. For this version, the following is required: a theft-proof cover, a reducer and charcoal filter. In the version with flue, the upper flue must have the air evacuation slots positioned in the upper part and the deflector must be used in place of the anti-theft cover. The upper flue air evacuation slots must be positioned at the top.



EXHAUST VERSION (B) (C)

The hood purifies the air and evacuates it to the outside through an exhaust duct or hole (diameter 5" 29/32).

Roof Venting (B)
Wall Venting (C)

AIR VENT

(for exhaust versions)

! Prepare the hole and the air vent duct (5" 29/32 diameter - The component is not included in the product, but can be purchased separately).

! Use a duct of the shortest possible length.

! Use a duct with as few elbows as possible (maximum elbow angle: 90°).

! Avoid drastic changes in the duct cross-

section.

! Use a duct with an as smoothest possible interior.

! The duct must be made of certified material.

! Do not connect the hood to smoke exhaust ducts for the products of combustion (boilers, fireplaces, stoves, etc).

! For the air vents comply with the provisions laid down by the competent authorities. In addition, the air must not be evacuated through a hole in the wall unless specifically intended for this purpose.

! Fit air intakes in the room to prevent the hood from creating a negative pressure in the room (which must not exceed 0.04 mbar); if the hood is used at the same time as non-electrical equipment (gas-, oil- and charcoal-fired stoves, etc.) the exhaust gas may be sucked in by the heat source.

ASSEMBLY

! **WARNING:** Very heavy product; hood handling and installation must be carried out by at least two persons.

! **WARNING:** Wear gloves and goggles when carrying out installation and maintenance operations.

! **WARNING:** Failure to install the screws or fixing device in accordance with these instructions may result in electrical hazards.

!The minimum distance between the supporting surface for the cooking equipment on the hob and the lowest part of the range hood must be not less than 25" 19/32 from electric cookers and 29" 17/32 from gas or mixed cookers. If the instructions for installation for the gas hob specify a greater distance, this must be adhered to.

! Wall anchors are provided to secure the hood to most types of walls/ceilings. However, a qualified technician must verify suitability of the materials in accordance with the type of wall/ceiling. The wall/ceiling must be strong enough to take the weight of the hood. Do not tile, grout or silicone.

! In case of doubt, contact an authorized service provider.

CONNECTION EXHAUST

Link a 5" 29/32 diameter air outlet chimney to the spigot. This pipe is a separate accessory.

Warning: To reduce the risk of fire use only metal ductwork.

Attention: The appliance is provided with a supply cord, the appliance must be positioned so that the plug is accessible.

Attention : If there are three wires in the electrical supply cable they must be connected as follows:

Grey/Yellow = ground - White = neutral - Black = line

Important : The hood manufacturer will not be responsible for any damage or loss caused by failure to observe these instructions.

Important : a damaged power supply cord must be replaced by an authorized service provider.

WARNING

GROUNDING INSTRUCTIONS

This appliance must be grounded. In the event of an electrical short circuit, grounding reduces the risk of electric shock by providing an escape wire for electric current. This appliance is equipped with a cord having a grounding. The plug must be plugged into an outlet that is properly installed and grounded.

WARNING : Improper grounding can result in a risk of electrical shock.

Consult a qualified electrician if the grounding instructions are not completely understood, or if doubt exists as to whether the appliance is properly grounded.

Do not use an extension cord. If the power supply cord is too short have a qualified electrician install an outlet near the appliance.

USING THE COOKER HOOD

The hood should be switched on before or at the moment the cooking process initiates.

The filters are more effective if the fan is not switched off immediately after cooking or frying is completed, but only after a period of some 20-30 minutes. Before using the cooker hood please ensure that all plastic films like on metal grease filter and stainless steel ducting are removed.

INSTALLATION INSTRUCTIONS

This hood has been arranged to be installed above a cook top. It can be used in **2** ways:

•**EXHAUST MODE**: the kitchen fumes are purified by the metal anti-grease fumes filters and carried outside through a ducting system. **(A-B)**

INSTALLATION

The appliance must be installed at a minimum height of 25" 19/32 from an electric cooker stove, or 29" 17/32 from gas or combined cooker stoves. (Fig.1)

If a connection tube composed of two parts is used, the upper part must be placed outside the lower part.

Do not connect the cooker hood exhaust to the same conductor used to circulate hot air or for evacuating fumes from other appliances generated by other than an electrical source.

MOUNTING THE COOKER HOOD TO THE WALL

Drill holes **A-B-C** according to indications quoted in (fig.1).

Use screws and screw anchors suitable for wall (e.g. reinforced cement, plasterboard) for the mounting of the cooker hood. Where screws and screw anchors are supplied ensure that they are suitable for the type of wall where the cooker hood is to be mounted.

Affix the bracket **Z** to the wall via the drill holes **C**

Hang the cooker hood on the wall using the drill holes **A**.

Fasten the cooker hood using the fastening drill holes **B**.

EXHAUST VERSION

Connect the flange **Y** to the exhaust opening with a connecting tube Fig.5 (not necessary for recirculating version).

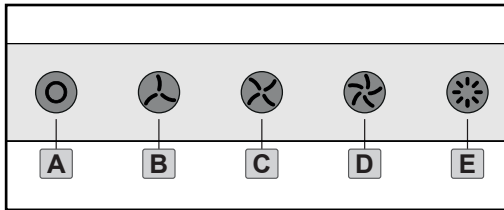
Thread the upper connector **E** to the inside of the lower connector **F**; hang the two connectors inserting them vertically on the cooker hood, unthread the upper connector **E** towards the top, locking it in with the appropriate screws in the drill holes **G** of the bracket **Z** (fig. 7) previously affixed to the wall via the drill holes **C** (fig. 1).

RE-CIRCULATING VERSION

In order to transform your cooker hood from the exhaust version to the re-circulating version, ask your local retailer for active carbon filters and then carry out the assembly instructions for the filter version. The active carbon filters are not included in the hood, but must be purchased as a kit separately. The filters must be applied to the suction unit located inside the hood (fig. 6).

The air is replaced in the environment via the eyelets impressed on the connector **A**.

CONTROL PANEL



- A- Fan-off
- B- First speed (minimum)
- C- Second speed (medium)
- D- Third speed (maximum)
- E- Light ON/OFF

MAINTENANCE

Caution! Before any cleaning or maintenance disconnect the hood from the mains by removing the plug or disconnecting the main switch of the dwelling.

Cleaning

The cooker hood should be cleaned regularly (at least with the same frequency with which you carry out maintenance of the grease filters) internally and externally. Clean using the cloth dampened with neutral liquid detergent, mild, non corrosive. Do not use abrasive products. **DO NOT USE ALCOHOL!**

WARNING: Failure to carry out the basic cleaning recommendations of the cooker hood and replacement of the filters may cause fire risks. Therefore, we recommend observing these instructions.

The manufacturer declines all responsibility for any damage to the motor or any fire damage linked to inappropriate maintenance or failure to observe the above safety recommendations.

The manufacturer declines all responsibility of damage or malfunctions due to appliance not being installed according to instructions.

Grease filter



The grease filter captures grease and oil particles. Filters must be cleaned once a month, using non aggressive detergents, either by hand or in the dishwasher, which must be set to a low temperature and a short cycle. When washed in a dishwasher, the grease filter may discolour slightly, but this does not affect its filtering capacity.

Charcoal filter (recirculating version only)

It absorbs unpleasant odours caused by cooking. The saturation of the charcoal filter occurs after prolonged use or frequent use, depending on the type of cooking and the frequency of cleaning of the grease filter. In any case it is necessary to replace the cartridge at least every four months. The charcoal filter may NOT be washed or regenerated.

Replacing lamps

The hood is equipped with a lighting system based on LED technology. The LEDs guarantee an optimum lighting, a duration up to 10 times as long as the traditional lamps and allow to save 90% electrical energy. For replacement, contact your local service provider or parts distributor.

The LED lamp replacement procedure is as follows (12V , 4000 K, 1,5 Watt, Type L28):

- 1) Disconnect the hood from the power supply.
- 2) Remove the grease filters.
- 3) Disconnect the LED lamp by disconnecting the connector from the wiring.
- 4) At the same time, squeeze the spring that locks the LED spotlight and push it out of its seat.
- 5) Insert the new spotlight, taking care to first pass the connector with its wiring.
- 6) Position the spring in a central position in the two appropriate grooves and press to fit the spotlight.
- 7) Reconnect the spotlight connector with the wiring harness connector.
- 8) Install the grease filters.
- 9) Reconnect the hood to the electricity supply.
- 10) Perform function check of the new spotlight.

READ AND SAVE THESE INSTRUCTIONS

1) WARNING - TO REDUCE THE RISK OF A RANGE TOP GREASE FIRE :

- a. Never leave surface units unattended at high settings. Boilovers cause smoking and greasy spill overs that may ignite. Heat oils slowly on low or medium settings.
- b. Always turn hood ON when cooking at high heat or when flambeing food (le crepes suzette, cherries jubilee, peppercorn beef flambe).
- c. Clean ventilating fans frequently. Grease should not be allowed to accumulate on fan or filter.

d. Use proper pan size. Always use cookware appropriate for the size of the surface element.

2) WARNING : to reduce the risk of fire or electric shock, do not use this fan with any solid state speed control device

3) WARNING TO REDUCE RISK OF FIRE, ELECTRIC SHOCK, OR INJURY TO PERSON, OBSERVE THE FOLLOWING :

- a. Use this unit only in the manner intended by the manufacturer. If you have questions, contact the manufacturer.
- b. Before servicing or cleaning unit, switch power off at service panel and lock the service disconnecting means to prevent power from being switched on accidentally. When the service disconnecting means cannot be locked, securely fasten a prominent warning device, such as a tag, to the service panel.

4) CAUTION: For general Ventilating use only. Do not use to exhaust hazardous or explosive material and vapors.

5) WARNING TO REDUCE THE RISK OF INJURY TO PERSONS IN THE EVENT OF A RANGE TOP FIRE , OBSERVE THE FOLLOWING:

- a. Smother flames with a close-fitting lid, cookie sheet, or metal tray, then turn off the burner. BE CAREFUL TO PREVENT BURNS. If the flames do not go out immediately. EVACUATE AND CALL THE FIRE DEPARTMENT.
- b. NEVER PICKUP A FLAMING PAN You may be burned.
- c. DO NOT USE WATER, including wet dishcloths or towels - a violent steam explosion will result.
- d. Use an extinguisher only if :
 1. You know you have a Class ABC extinguisher, and you already know how to operate.
 2. The fire is small and contained in the area where it started.
 3. The fire department is being called.
 4. You can fight the fire with your back to

an exit. (based on “Kitchen Fire safety Tips” published by NFP A.

6) WARNING TO REDUCE THE RISK OF INJURY TO PERSONS IN THE EVENT OF A RANGE TOP FIRE , OBSERVE THE FOLLOWING :

- a. Installation work and electrical wiring must be done by qualified person(s) in accordance with all applicable codes and standards, including fire rated construction.
- b. Sufficient air is needed for proper combustion and exhausting of gases through the flue (chimney) of fuel burning equipment to prevent back drafting. Follow the heating equipment manufacturer’s guideline and safety standards such as those published by the National Fire Protection Association (NFPA), and the American Society for heating, refrigeration and air conditioning engineers (ASHRAE) and the local code authorities.
- c. When cutting or drilling into wall or ceiling, do not damage electrical wiring and other hidden utilities.
- d. Ducted fans must always be vented to the outdoors.
- e. If this unit to be installed over a tube or shower, it must be marked as appropriate for the application and be connected to a GFCI (Ground Fault Circuit Interrupter) protected branch circuit.
- f. Never place a switch where it can be accessible from a tub or shower.

- Clean the grease filter(s) when necessary to maintain a good grease filter efficiency.
- Use the maximum diameter of the ducting system indicated in this manual to optimize efficiency and minimize noise.

PROTECTING THE ENVIRONMENT

Suggestions for a correct use in order to reduce the environmental impact

- Switch ON the hood at minimum speed when you start cooking, and kept it running for few minutes after cooking is finished.
- Increase the speed only in case of large amount of smoke and steam.
- Replace the charcoal filter(s) when necessary to maintain a good odour reduction efficiency.

Nous Vous prions de bien vouloir vous enregistrer sur notre site web www.bertazzoni.com pour valider votre garantie du nouveau produit et nous aider à Vous aider dans le cas de dommages.

GARANTIE LIMITEE DE DEUX ANS

Les garanties offertes par Bertazzoni SpA dans cette déclaration s'appliquent exclusivement aux appareils et composants Bertazzoni vendus comme neufs au propriétaire original par un distributeur, détaillant, concessionnaire ou centre de service autorisé et installés aux Etats-Unis et Canada. Les garanties fournies dans cette déclaration ne peuvent pas être transférées et sont valables à partir de la date d'installation.

INFORMATIONS SUR LA COUVERTURE

Bertazzoni SpA procédera à la réparation ou remplacera tout composant défectueux à cause de matière et/ou fabrication pendant 2 ans à compter de la date d'installation et dans les conditions normales d'utilisation dans le cadre familial. La réparation ou le remplacement seront effectués à titre gratuit et incluront les frais de main-d'œuvre au tarif normal et les frais d'expédition. Les réparations doivent être effectuées par un Centre de Service Bertazzoni Autorisé pendant les heures de travail normales. Les défauts doivent être signalés dans les 30 jours qui suivent l'installation. Cette garantie ne couvre pas l'utilisation du produit dans le cadre commercial.

GARANTIE ESTHETIQUE

Bertazzoni SpA couvre les pièces présentant des défauts cosmétiques de matière et de fabrication pour une période de trente (30) jours à compter de la date d'installation de l'unité. Cette couverture inclut les rayures, les taches, les imperfections de surface sur l'acier inoxydable, de la peinture et de la porcelaine, à l'exclusion de légères différences de couleur dues à des matériaux et des technologies de peinture / émaillage.

Les coûts de main-d'œuvre, B stock, appareils out-of-box et les unités d'affichage sont exclus. Pour obtenir le service de garantie, veuillez contacter Bertazzoni Customer Service aux numéros indiqués ci-dessous et fournir le numéro du modèle, le numéro de série et la date d'achat.

ANGLAIS 866 905 0010 FRANCAIS 800 561 7265

Il faut conserver la preuve d'achat ou l'origine de l'installation afin d'établir la période de garantie. Une copie du numéro de série sera collée derrière le manuel d'emploi.

CE QUI NE SERA PAS PRIS EN CHARGE

1. Le produit utilisé dans toute application commerciale/commerciale.
2. Service de réparation fourni par un agent de service autorisé autre que Bertazzoni.
3. N'importe quel dommage ou service de réparation nécessaire pour corriger un service effectué par un agent non autorisé et/ou par suite d'utilisation de pièces non autorisées.
4. Installation non conforme aux codes électriques locaux ou aux codes de plomberie.
5. Les défauts ou dommages dus à une mauvaise conservation du produit.
6. Les défauts ou dommages et les pièces oubliées sur les produits vendus au dehors de l'emballage d'origine ou d'affichage.
7. Les appels de service ou des réparations pour corriger l'installation du produit et / ou accessoires.
8. Les appels de service pour se connecter, ou réparer le câblage électrique et / ou de gaz afin d'utiliser le produit d'une façon correcte.
9. Les appels de service pour fournir des instructions sur l'utilisation d'un produit Bertazzoni.
10. Service de réparation dû à une utilisation différente que celle standard et habituel à la maison.

11. Remplacement des pièces d'usure
12. Remplacement des verres et des ampoules si elles sont échouées au plus tard 30 jours après l'installation et en aucun cas plus tard 4 mois après la date d'achat
13. Défauts et dommages résultant d'un accident, modification, mésusage, abus, mauvaise installation.
14. Défauts et dommages résultant du transport du produit à la maison du propriétaire.
15. Les défauts et les dommages résultant de forces externes qui échappent au contrôle de Bertazzoni SpA tels que les incendies, les inondations, les tremblements de terre et autres catastrophes naturelles.

Au cas où le produit sera installé dans une zone, là où techniciens qualifiés certifiés ne sont pas raisonnablement disponibles, le client sera responsable des coûts de transport pour la livraison du produit au centre de service autorisé le plus proche, ou pour les coûts de déplacement d'un technicien qualifié certifié.

Bertazzoni exclut toute responsabilité pour les dommages accidentels ou indirects. Certains pays n'autorisent pas l'exclusion ou la limitation des dommages accidentels ou indirects, la limitation indiquée plus haute peut donc ne pas s'appliquer à vous. Cette garantie vous offre des droits spécifiques et vous pouvez bénéficier d'autres droits qui peuvent varier d'un Etat à l'autre et d'une province à l'autre.

CONSIGNES DE SÉCURITÉ IMPORTANTES

Lisez attentivement les suivantes informations importantes concernant la sécurité d'installation et d'entretien.

LIRE ET CONSERVER CES INSTRUCTIONS pour pouvoir les consulter en cas de besoin.

EXIGENCES:

UL 350 W AC120V, 60 Hz. Mise à la terre du circuit 3.3A.

POUR USAGE DOMESTIQUE SEULEMENT!**AVERTISSEMENTS IMPORTANTS**

- Ne pas brancher la hotte à des cheminées, conduits et conduit d'aération de la cuisine.
- L'air évacué ne doit pas être laissé dans un conduit d'air chaud.
- Cet appareil doit être branché à un système d'alimentation muni d'un branchement à la terre efficace, conformément aux normes en vigueur.
- Lorsque vous effectuez des opérations de entretien, débrancher toujours l'appareil.
- Ne pas faire flamber des aliments sous la hotte - en cas de fritures, ne laissez jamais le poêle seul, car l'huile surchauffée peut prendre feu.
- Nettoyez toutes les surfaces fréquemment pour éviter tout risque d'incendie. Pour faire cela, utilisez un chiffon ou une brosse trempé dans de l'alcool éthylique dénaturé. Il est également important d'enlever et nettoyer ou remplacer souvent le filtre installé dans la hotte.
- Il convient d'utiliser des cuisines de la même largeur que la hotte.
- Ne pas utiliser un cordon ou une fiche endommagé. Jeter le ventilateur ou retourner à un centre de service autorisé pour examen et / ou réparation.
- Ne pas faire passer le cordon sous un tapis. Ne couvrez pas par des tapis ou revêtements similaires. Éloigner le cordon des endroits passants où il ne sera pas trébucher. Le câblage doit être protégé

contre des bords tranchants (y compris les filetages mâles), les bavures, les nageoires, les pièces mobiles et d'autres organismes pouvant causer une abrasion de l'isolant sur les conducteurs.

INTRODUCTION

Ces instructions sont conçues pour vous informer des différents détails techniques de votre hotte et de vous familiariser avec son utilisation. Étant donné que ces instructions couvrent plus d'un type de hotte de la même série, il se peut qu'une brosse trempée référence à des composants qui ne font pas partie de la hotte que vous installez. La hotte doit être utilisée en version aspirante pour acheminer tous les vapeurs de cuisine vers l'extérieur. Raccords peuvent varier d'un pays à l'autre. Nous nous réservons le droit de modifier le produit sans aucun préavis toujours dans le but d'améliorer et en conformité avec les normes pertinentes.

SUGGESTIONS POUR L'UTILISATION DE LA HOTTE EN VERSION A EVAQUATION

Quand une hotte aspirante et d'une source de chaleur nécessitant de l'air ambiant (par exemple gaz, poêles à pétrole, charbon, etc) sont utilisés dans le même temps, il est nécessaire faire attention parce que l'air nécessaire à la combustion est évacué du local à travers la hotte, ce qui crée une dépression. Il n'y a pas de danger lorsque le maximum de dépression dans la chambre est 0,04 mbar (0,016 inH₂O 4°C). Dans cet état, pas de gaz d'échappement à partir de la source de chaleur est acheminée. Pour assurer cette condition, faire une ouverture dans la salle qui ne peut pas être fermé (portes, fenêtres, etc ne sont pas suffisantes) et à travers laquelle l'air nécessaire à la combustion peut s'écouler librement.

Remarque: Tous les conduits d'échappement dans l'appartement ou de la maison devrait être étudiée. En cas de doute, demandez conseil ou l'autorisation à la personne ou à l'organisme responsable de la construction.

Remarque: L'efficacité de la hotte diminue à mesure que la longueur des conduits et le numéro de soufflet augmente. Lorsque vous utilisez la version aspirante, suivez ces règles: Ne pas brancher la hotte à des cheminées, des conduits de fumée et des conduits d'aération de la cuisine. Avant d'évacuer dans les conduits d'échappement et dans les conduits qui ne sont plus en usage, demander l'approbation de la personne ou l'agence responsable à la construction. L'air évacué ne doit pas être laissé dans un conduit d'air chaud. Pour l'évacuation de l'air évacué s'il vous plaît noter les instructions officielles.

INSTALLATION

La hotte peut être installée en version évacuation ou en version recyclage (A-B-C). Le type d'installation doit être choisi d'emblée. Pour une plus grande efficacité, il est recommandé, dans la mesure du possible, d'installer la hotte en version évacuation.



VERSION RECYCLAGE (A)

La hotte filtre l'air et l'expulse à l'intérieur de la pièce. Pour cette version, il est nécessaire d'utiliser: le couvercle de protection, la réduction et le filtre à charbon.

Dans la version avec tuyaux, le tuyau supérieur doit avoir les fentes d'évacuation de l'air placées dans la partie haute et le déflecteur doit être utilisé à la place du couvercle de protection.



VERSION ÉVACUATION (B) (C)

La hotte filtre l'air et l'expulse à l'extérieur à travers le tuyau ou un trou d'évacuation (diamètre 5" 29/32 - non fourni).
Évacuation du toit (B)
Évacuation murale (C)

ÉVACUATION DE L'AIR

(Pour les versions évacuation)

! Réaliser le trou et installer le conduit d'évacuation de l'air (diamètre 5" 29/32 - non fourni).

! Utiliser un tuyau de la longueur strictement

nécessaire.

! Les coudes du tuyau doivent être en nombre minime (angle maxi du coude: 90°).

! Éviter les variations excessives de section du tuyau.

! Utiliser un tuyau le plus lisse possible sur sa partie interne.

! Le matériau du tuyau doit être aux normes.

! Ne pas relier la hotte à des conduites d'évacuation de fumées de combustion (chaudières, cheminées, poêles, etc).

! Pour l'évacuation de l'air, respecter les consignes des autorités compétentes en la matière. Par ailleurs, l'air à évacuer doit être éliminé par une cavité dans le mur, sauf si cette dernière n'est pas prévue à cet effet.

! Équiper la pièce de prises d'air pour éviter que la hotte ne crée une pression négative à l'intérieur de la pièce (elle ne doit pas dépasser 0,04 mbar); en effet, si la hotte est utilisée conjointement à des appareillages autres qu'électriques (poêles à gaz, à huile, à charbon, etc.), les gaz d'évacuation de la source de chaleur peuvent être réaspirés.

MONTAGE

! **ATTENTION!** Appareil excessivement lourd; la manutention et l'installation de la hotte doivent être effectuées par deux personnes ou plus.

! **ATTENTION!** Faire usage de gants et de lunettes lors des opérations d'installation et d'entretien.

! **ATTENTION!** Ne pas installer les vis et les éléments de fixation conformément à ces instructions peut entraîner des risques électriques.

! La hotte est équipée de chevilles de fixation convenant à la plupart des parois/plafonds. Il est cependant nécessaire de s'adresser à un technicien qualifié afin de s'assurer que le matériel est approprié au type de paroi/plafond. La paroi/plafond doit être suffisamment solide pour supporter le poids de la hotte.

! La distance minimum entre la table de cuisson et la partie la plus basse de la hotte de cuisine ne doit pas être inférieure à 25" 19/32 dans le cas de cuisinières électriques

et de 29'' 17/32 dans le cas de cuisinières à gaz ou mixtes.

Si les instructions d'installation du dispositif de cuisson au gaz spécifient une plus grande distance, il faut en tenir compte.

! En cas de doute, consulter un centre d'assistance agréé ou une personne qualifiée.

CONVOYEUR D'EVACUATION

Lier la cheminée de sortie d'air d'un diamètre de 5'' 29/32 à la jonction.. Ce tube est un accessoire de la hotte.

Attention: Pour réduire le risque de feu, utiliser seulement un conduit métallique.

Attention: L'appareil est fourni avec un cordon d'alimentation, l'appareil doit être placé de sorte que la prise soit accessible.

Attention: Si, il ya trois fils dans le câble d'alimentation électrique, ils doivent être connectés comme suit:

Gris / Jaune = mise à la terre - Blanc = neutre - noir = phase

Important: Le fabricant décline toute responsabilité si les normes de sécurité ne sont pas respectées.

Important: Un fil débranché ou coupé doit être remplacé par le service.

AVERTISSEMENT

INSTRUCTIONS DE TERRE

Cet appareil doit être mis à la terre. Dans le cas d'un court-circuit, mise à la terre réduit le risque de choc électrique en fournissant un circuit de fuite au courant électrique. Cet appareil est équipé d'un cordon muni d'une mise à la terre. La fiche doit être branchée dans une prise de courant correctement installée et mise à la terre.

AVERTISSEMENT: Une mauvaise mise à la terre peut entraîner un risque de choc électrique.

Consultez un électricien qualifié si les instructions de mise à la terre ne sont pas complètement comprises ou s'il existe un doute quant à savoir si l'appareil est correctement mis à la terre.

Ne pas utiliser de rallonge. Si le cordon d'ali-

mentation est trop court, un électricien qualifié doit installer une prise près de l'appareil.

UTILISATION DE LA HOTTE

La hotte doit être mis en marche avant ou soit en même temps que la cuisson ou la friture commence. Les filtres sont plus efficaces si le ventilateur n'est pas éteint immédiatement après la cuisson ou la friture est terminée, mais seulement après une période d'environ 20-30 minutes. Avant d'utiliser la hotte s'il vous plaît s'assurer que tous les films plastiques comme sur le filtre à graisse métallique et sur les conduits en acier inoxydable sont enlevés.

CONSEILS POUR L'INSTALLATION

L'appareil doit être installé à une hauteur minimale de 25'' 19/32 des réchauds électriques, ou 29'' 17/32 des réchauds à gaz ou mixtes. (Fig. 1)

S'il doit être utilisé un tuyau de connection composé de deux ou plusieurs parties, la partie supérieure doit être à l'extérieur de celle inférieure. Ne pas relier le tuyau d'échappement de la hotte à un conduit dans lequel circule de l'air chaud ou employé pour évacuer les fumées des appareils alimentés par une énergie différente de celle électrique.

FIXATION DE LA HOTTE SUR LE MUR

Percer les trous **A-B-C** en respectant les cotes indiquées (fig.1). Pour les différents montages, utiliser les vis et chevilles à expansion correspondant au type du mur (ex béton armé, plâtre, etc.)

Dans le cas où les vis et chevilles sont fournies d'origine avec le produit, vérifier qu'elles correspondent bien au type de mur sur lequel doit être montée la hotte.

Bloquer les supports **Z** sur le mur grâce aux trous **C** (fig.1). Accrocher la hotte au mur en utilisant les trous **A** (fig.1). Pendre la hotte à la paroi en utilisant les trous de sécurité **B** (fig.1).

ÉVACUATION EXTERNE

Raccorder, au moyen d'un tube intermédiaire, la bride **Y** au trou d'évacuation Fig.5 (sauf pour la version filtrante). Enfiler le raccord supérieur **E** à l'intérieur du raccord inférieur **F**; assembler les deux raccords en les insérant verticalement dans la hotte, tirer le raccord supérieur **E** vers le haut puis le bloquer à l'aide des vis sur les trous **G** du support **Z** (fig.7) auparavant fixé au mur grâce aux trous **C** (fig.1).

RECIRCULATION INTERNE

Pour transformer la hotte de la version aspirante à la version filtrante, demander à votre revendeur les filtres au charbon actif et suivre les instructions de montage de la version filtrante. Les filtres doivent être appliqués sur le groupe d'aspiration situé à l'intérieur de la hotte (fig. 6). L'air est rejeté dans la pièce grâce aux orifices situés sur le raccord **A**.

BRANCHEMENT ÉLECTRIQUE

La tension électrique doit correspondre à la tension reportée sur la plaque signalétique située à l'intérieur de la hotte.

Si une prise est présente, branchez la hotte dans une prise murale conforme aux normes en vigueur et placée dans une zone accessible également après l'installation.

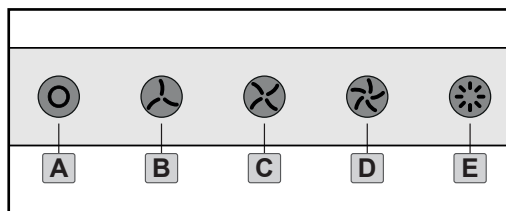
Si aucune prise n'est présente (raccordement direct au circuit électrique), ou si la prise ne se trouve pas dans une zone accessible également après l'installation, appliquez un disjoncteur normalisé pour assurer de débrancher complètement la hotte du circuit électrique en conditions de catégorie surtension III, conformément aux réglementations de montage.

Attention! Avant de rebrancher le circuit de la hotte à l'alimentation électrique et d'en vérifier le fonctionnement correct, contrôlez toujours que le câble d'alimentation soit monté correctement.

Attention! La hotte est pourvue d'un câble d'alimentation spécial; en cas de détério-

ration du câble, en demander un neuf au service d'assistance technique.

BANDEAU DE COMMANDES



- A** Extinction de l'aspiration
- B** Première vitesse d'aspiration (minimale)
- C** Seconde vitesse d'aspiration (moyenne)
- D** Troisième vitesse d'aspiration (maximale)
- E** Éclairage ON /OFF

ENTRETIEN

Attention! Avant toute opération de nettoyage ou d'entretien débranchez la hotte du réseau électrique en retirant la fiche ou enlevant l'interrupteur principal de l'habitation.

Nettoyage

La hotte doit être régulièrement nettoyée à l'intérieur et à l'extérieur (au moins à la même fréquence que pour l'entretien des filtres à graisse). Pour le nettoyage, utiliser un chiffon humidifié avec un détergent liquide neutre. Ne pas utiliser de produit contenant des abrasifs. **NE PAS UTILISER D'ALCOOL! ATTENTION:** Il y a risque d'incendie si vous ne respectez pas les instructions concernant le nettoyage de l'appareil et le remplacement ou le nettoyage du filtre. La responsabilité du constructeur ne peut en aucun cas être engagée dans le cas d'un endommagement du moteur ou d'incendie liés à un entretien négligé ou au non respect des consignes de sécurité précédemment mentionnées.

Filtres à graisse

Ils retiennent les particules de graisse issues de la cuisson. Les filtres doivent être nettoyés une fois par mois (ou lorsque le système

d'indication de saturation des filtres – si prévu sur le modèle possédé – indique cette nécessité) avec des détergents non agressifs, à la main ou dans le lave-vaisselle à faibles températures et cycle rapide. Le lavage des filtres anti-graisse métalliques au lave-vaisselle peut en provoquer la décoloration. Toutefois, les caractéristiques de filtrage ne seront en aucun cas modifiées.



Filtre à charbon actif

(uniquement pour version recyclage)

Retient les odeurs désagréables de cuisson. La saturation du charbon actif se constate après un emploi plus ou moins long, selon le type de cuisine et de régularité de nettoyage du filtre à graisses. En tout cas, il est nécessaire de changer le filtre après, au maximum, quatre mois (ou lorsque le système d'indication de saturation des filtres – si prévu sur le modèle possédé – indique cette nécessité). IL NE PEUT PAS être nettoyé ou régénéré.

Remplacement des lampes

La hotte est dotée d'un système d'éclairage basé sur la technologie LED. Les LEDS garantissent un éclairage optimal, une durée jusqu'à 10 fois supérieure aux ampoules traditionnelles et permettent une économie d'énergie électrique de l'ordre de 90 %. Pour le remplacement, s'adresser au service d'assistance technique.

La procédure de remplacement de la lampe LED est la suivante (12V , 4000 K, 1,5 Watt, Type L28):

- 1) Débranchez la hotte du réseau électrique.
- 2) Retirez les filtres anti graisse.
- 3) Débranchez la lampe LED en déconnectant le connecteur du câblage.
- 4) Appuyez et resserrez simultanément le ressort qui verrouille la lampe LED et sortez-le de son siège.
- 5) Insérez la nouvelle lampe, en prenant soin de passer d'abord le connecteur avec son câblage.
- 6) Positionnez le ressort dans une position centrale dans les deux rainures spéciales et

appuyez pour adapter la lampe.

- 7) Rebranchez le connecteur de la lampe avec celui du câblage.
- 8) Montez les filtres anti graisse.
- 9) Rebranchez la hotte au réseau électrique.
- 10) Vérifiez le fonctionnement de la nouvelle lampe.

LIRE ET CONSERVER CES INSTRUCTIONS

1) AVERTISSEMENT - POUR RÉDUIRE LE RISQUE DE FEU DE CUISINIÈRE:

- a. Ne laissez jamais les éléments de surface sans surveillance à des réglages élevés. Les débordements par bouillonnement causent à un feu doux ou moyen. Chauffez l'huile lentement, à un feu doux ou moyen.
- b. Toujours mettre la hotte en marche lorsque vous cuisinez à feu vif ou lorsque vous cuisinez des mets flambés (les crêpes Suzette, cerises jubilé, du steak au poivre flambé).
- c. Nettoyer les ventilateurs fréquemment. Graisse ne doit pas s'accumuler sur le ventilateur ou le filtre.
- d. Utiliser la taille appropriée de casserole. Toujours utiliser des ustensiles de cuisson appropriés à la taille de l'élément de cuisson.

2) AVERTISSEMENT: pour réduire le risque d'incendie ou d'électrocution, ne pas utiliser ce ventilateur avec un dispositif de contrôle de vitesse solide

3) AVERTISSEMENT POUR RÉDUIRE LES RISQUES D'INCENDIE, DE CHOC ÉLECTRIQUE OU DE BLESSURES CORPORELLES, SUIVEZ LES INSTRUCTIONS SUIVANTES:

- a. N'utilisez cet appareil que de la manière prévue par le fabricant. Si vous avez des questions, contactez le fabricant.
- b. Avant de réparer ou de nettoyer l'appareil, coupez le courant au panneau de service et verrouillez le dispositif de sectionnement pour éviter une mise en marche accidentelle. Lorsque le dispositif de sectionnement ne peut être verrouillé, y fixer un avertissement en évidence, comme une

étiquette, sur le panneau de service.

4) ATTENTION: Pour ventilation générale seulement. Ne pas utiliser pour évacuer des matières dangereuses ou explosives et des vapeurs.

5) AVERTISSEMENT POUR RÉDUIRE LES RISQUES DE BLESSURES EN CAS DE FEU DE CUISINIÈRE, SUIVEZ LES INSTRUCTIONS SUIVANTES:

a. Éteuffez les flammes avec un couvercle hermétique, une tôle à biscuits ou un plateau métallique, puis éteignez le brûleur. ATTENTION AUX BRÛLURES. Si les flammes ne s'éteignent pas immédiatement. SORTEZ ET APPELEZ LES POMPIERS.

b. NE JAMAIS PRENDRE UNE CASSEROLE EN FLAMMES car vous pouvez être brûlé.

c. NE PAS UTILISER D'EAU, ni de torchons ou de serviettes mouillés - une explosion de vapeur violente pourrait en résulter.

d. Utilisez un extincteur seulement si:

1. Vous savez que vous avez un extincteur de classe ABC et vous savez déjà comment le faire fonctionner.

2. Le feu est petit et limité à la zone où il a commencé.

3. Les pompiers ont été appelé.

4. Vous pouvez combattre l'incendie en faisant dos à une sortie. (basé sur «Kitchen Fire Safety Tips» publié par le PFN A.

6) AVERTISSEMENT POUR RÉDUIRE LES RISQUES DE BLESSURES EN CAS DE FEU DE HAUT GAMME, RESPECTEZ LES CONSIGNES SUIVANTES:

a. Les travaux d'installation et le câblage électrique doivent être effectués par une personne qualifiée (s) en conformité avec tous les codes et normes applicables, y compris la construction d'incendie nominale.

b. Air suffisante est nécessaire pour la combustion et l'évacuation complète des gaz par la cheminée (cheminée) des équipements de combustion pour prévenir un re-

foulement. Suivez les consignes du fabricant de l'équipement de chauffage et les normes de sécurité telles que celles publiées par la National Fire Protection Association (NFPA) et la Société américaine pour les ingénieurs pour le chauffage, la réfrigération et climatisation (ASHRAE) ainsi que les responsables des codes locaux.

c. Lorsque vous coupez ou perforez un mur ou un plafond, ne pas endommager le câblage électrique et autres utilités cachées.

d. Les ventilateurs avec conduits doivent toujours être évacués à l'extérieur

e. Si cette unités doit être installé sur une baignoire ou d'une douche, Si ces unités doit être installé sur un tube ou d'une douche, il elle doit être marqué comme approprié pour l'application et être connecté à un disjoncteur différentiel (Ground Fault Circuit Interrupter) du circuit de dérivation protégé.

f. Jamais Placer un interrupteur où il peut être accessible depuis une baignoire ou une douche. Veuillez vous adresser au bureau compétent de votre commune, à la société de collecte des déchets ou directement à votre revendeur.

CALIFORNIA PROPOSITION 65



WARNING: Cancer and Reproductive Harm -
www.P65Warnings.ca.gov.



ADVERTENCIA: Cáncer y Daño Reproductivo -
www.P65Warnings.ca.gov.



AVERTISSEMENT: Cancer et Troubles de l'appareil reproducteur -
www.P65Warnings.ca.gov.

3071108

