

# NE63A6311SS

SAMSUNG

## Samsung Smart Freestanding Electric Range with Rapid Boil™ & Self Clean

6.3 cu. ft. Capacity



### Signature Features

#### Large Oven Capacity

- This large 6.3 cu. ft. oven can fit multiple dishes at one time.

#### Rapid Boil™

- Boil water fast with the 3300 W Rapid Boil™ burner.

#### Easy to Clean

- Self and Steam Clean keep your oven spotless. The hidden bake element makes cleaning your oven easy with a seamless cavity interior.

### Available Colors



Stainless Steel (shown)



Fingerprint Resistant  
Black Stainless Steel



Large Oven Capacity



Rapid Boil™

### Features

- Stainless Steel Design
- Large Oven Capacity – 6.3 cu. ft.
- Rapid Boil™ 3300 W
- Extra Oven Settings - Bread Proof, Favorite Cook, Keep Warm
- Storage Drawer
- Flexible Cooktop:
  - Five Burner Cooktop
  - Two Dual Ring Burners (6"/9")
  - Two Single Burners (6")
  - Warming Center

### Convenience

- Wi-Fi Connectivity
- Voice-Enabled
- SmartThings Cooking
- Self & Steam Clean
- Hidden Bake Element
- Sabbath Mode
- Child Safety Lock
- Delay Start
- Auto Oven Light
- Kitchen Timer



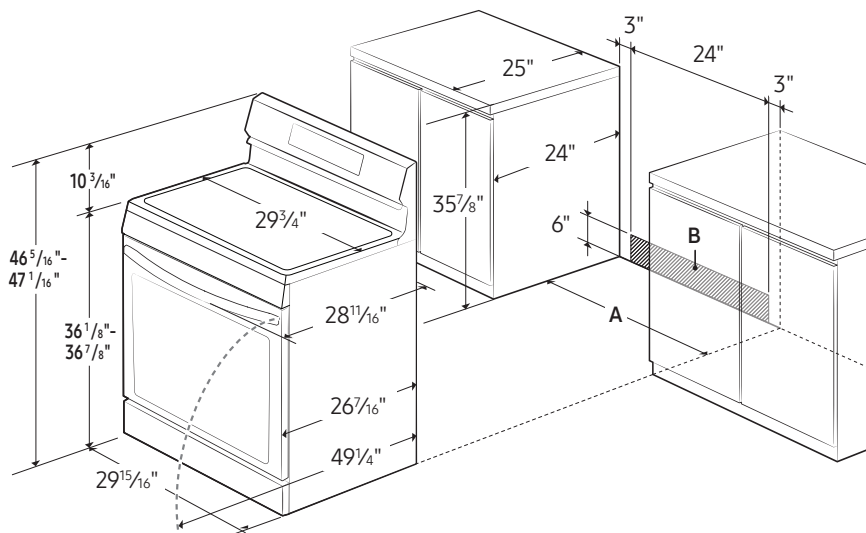
# NE63A6311SS

# SAMSUNG

## Samsung Smart Freestanding Electric Range with Rapid Boil™ & Self Clean

6.3 cu. ft. Capacity

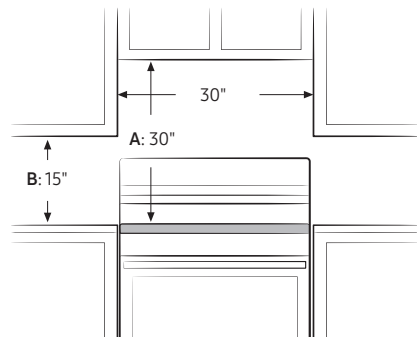
### Installation Specifications



**A:** Cabinet opening min 30"

**B:** Acceptable electrical outlet area

**IMPORTANT:** If your cabinets are over 36<sup>3</sup>/<sub>4</sub>" high, you must install this range on a hard, heat-resistant support that raises the surface of the range so that it is about even with the countertop.



**A:** 30" minimum clearance between the top of the cooking surface and the bottom of an unprotected wood or metal cabinet; or 24" minimum when the bottom of the wood or metal cabinet is protected by not less than 1/4" of flame retardant millboard covered with not less than no.28 MSG sheet steel, 0.015" stainless steel, 0.024" aluminum, or 0.020" copper.

**B:** 15" minimum between the countertop and the adjacent cabinet bottom.

**IMPORTANT:** Consult with Installation Manual for detailed instructions before installing. All ranges must be installed with the Anti-Tip device that is included.

### Power Source

240V/208V/60 Hz/40A

### Electric Cooktop

- Right Front: 6"/9" Dual Ring Burner, 3300 W
- Left Front: 6"/9" Dual Ring Burner, 3300 W
- Right Rear: 6" Burner, 1200 W
- Left Rear: 6" Burner, 1200 W
- Center: Warming Center, 100 W

### Oven

- Capacity: 6.3 cu. ft.
- Bake
- Variable Broil: Low/High
- Bread Proof

### Warranty

One (1) Year Parts and Labor

### Product Dimensions & Weight (WxHxD)

Oven Interior Dimensions:

24<sup>13</sup>/<sub>16</sub>" x 22<sup>7</sup>/<sub>16</sub>" x 19<sup>3</sup>/<sub>4</sub>"

Outside Net Dimensions:

29<sup>15</sup>/<sub>16</sub>" x 46<sup>5</sup>/<sub>16</sub>"-47<sup>1</sup>/<sub>16</sub>" (Adjustable) x 28<sup>11</sup>/<sub>16</sub>"

Weight: 131 lbs

### Shipping Dimensions & Weight (WxHxD)

Dimensions:

33<sup>1</sup>/<sub>16</sub>" x 50<sup>9</sup>/<sub>16</sub>" x 30<sup>5</sup>/<sub>16</sub>"

Weight: 154 lbs

### Color

Stainless Steel

Fingerprint Resistant

Black Stainless Steel

### Model #

NE63A6311SS

NE63A6311SG

### UPC Code

887276509396

887276509389

