

# Frigidaire Professional



## French Door Refrigerator

27.8 Cu. Ft. French Door Refrigerator

PRFS2883AF

Available Colors : Stainless Steel

Version : 01/22

### Refrigerator

Adjustable Temperature Drawer	Yes
Air Filter	Yes
Crisper Color	Smokey
Door Bin Color	Smokey
Humidity Controls	Automatic
Interior Lighting	LED
Produce Keeper Ready	Yes
Produce Keeper Included	Yes
Shelf Material	Glass
Water Filter	Yes
Number of Adjustable Gallon Plus Door Bins	3
Number of Fixed Condiment Door Bins	3
Number of Fixed Gallon Door Bins	1
Number of Other Door Bins	2
Total Number of Door Bins	9
Number of Adjustable Shelves	2
Number of Fixed Shelves	1
Number of Crispers	2

### Freezer

Auto Close Drawer	Yes
Basket Divider	Yes
Baskets / Bins Color	White
Interior Lighting	LED
Shelf Material	Glass
Number of Baskets / Bins	1
Number of Pull Out Shelves	1
Total Number of Shelves	1

### Ice Maker

Ice Maker	Yes
Ice Maker Location	Fresh Food Section
Ice Shape	Square
Second Ice Maker	Yes

### Controls

Air Filter Indicator	Yes
Control Location	Side of Door
Digital Display	Yes
Door Ajar Alarm	Yes
Ice Maker On/Off	Yes
Power Failure Alarm	Yes
Power On/Off	Yes
Sabbath Mode	Yes
Second Control Location	Dispenser
Water Filter Indicator	Yes

### Dispenser

Crushed Ice	Yes
Cube Ice	Yes
Dispenser	Yes
Dispenser Height	10 4/10"
Light Control	Yes
Water	Yes

### Exterior

Counter-Depth	No
Door Finish	Smooth
Door Stops	Yes
Front Rollers	Yes
Rear Rollers	Yes

### Dimensions and Volume

Height With Hinge	70"
Height Without Hinge	68 3/10"
Width	36"
Width of Cabinet	35 6/10"
Depth of Cabinet	28 1/2"
Depth With Door	33 1/2"
Depth With Door 90° Open	48 1/2"
Depth With Door and Handle	35 7/10"

Note: For planning purposes only. Always consult local and national electric, gas and plumbing codes.

Refer to Product Installation Guide for detailed installation instructions on the web at [frigidaire.com](http://frigidaire.com) / [frigidaire.ca](http://frigidaire.ca)

Specifications subject to change. Accessories information available on the web at [frigidaire.com](http://frigidaire.com) / [frigidaire.ca](http://frigidaire.ca)

USA • 10200 David Taylor Drive • Charlotte, NC 28262 • 1-800-FRIGIDAIRE • [frigidaire.com](http://frigidaire.com)

CANADA • 5855 Terry Fox Way • Mississauga, ON L5V 3E4 • 1-800-265-8352 • [frigidaire.ca](http://frigidaire.ca)

# Frigidaire Professional

27.8 Cu. Ft. French Door Refrigerator

PRFS2883AF

Version : 01/22

Freezer Capacity	9 Cu. Ft.
Fresh Food Capacity	18.8 Cu. Ft.
Total Capacity	27.8 Cu. Ft.

## Electrical Specifications

Amps @ 120 Volts	3.3 Amps
Minimum Circuit Required	15 Amps

## General Specifications

Condenser Type	Dynamic
Cooling System	Single Evaporator
Leveling Legs	Yes
Refrigerant Type	R-600A
Warranty - Labor	1 Year
Warranty - Parts	1 Year

## Performance Certifications and Approvals

ENERGY STAR Certified	Yes
-----------------------	-----

Note: For planning purposes only. Always consult local and national electric, gas and plumbing codes.

Refer to Product Installation Guide for detailed installation instructions on the web at [frigidaire.com](http://frigidaire.com) / [frigidaire.ca](http://frigidaire.ca)

Specifications subject to change. Accessories information available on the web at [frigidaire.com](http://frigidaire.com) / [frigidaire.ca](http://frigidaire.ca)

USA • 10200 David Taylor Drive • Charlotte, NC 28262 • 1-800-FRIGIDAIRE • [frigidaire.com](http://frigidaire.com)

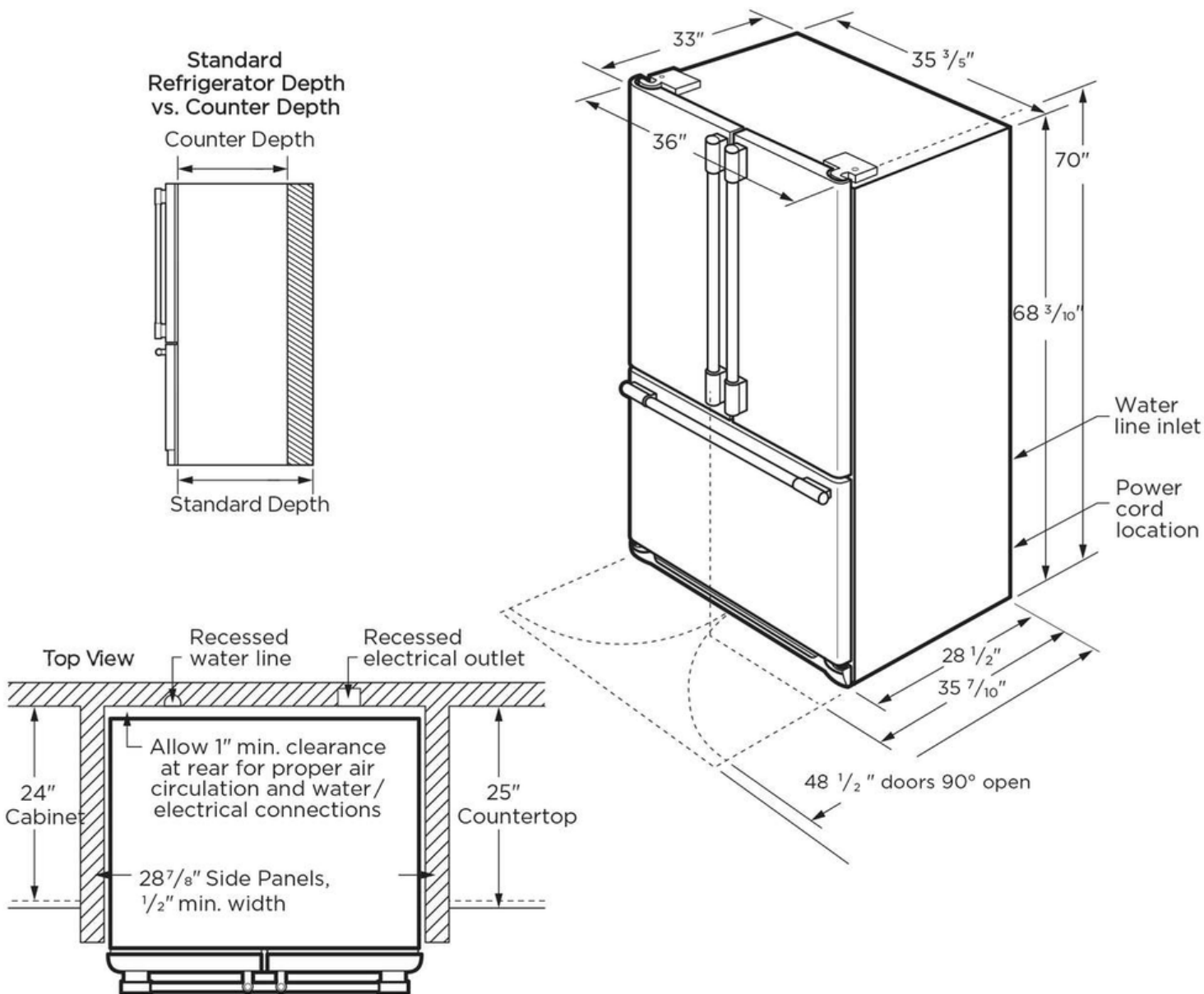
CANADA • 5855 Terry Fox Way • Mississauga, ON L5V 3E4 • 1-800-265-8352 • [frigidaire.ca](http://frigidaire.ca)

# Frigidaire Professional

27.8 Cu. Ft. French Door Refrigerator

PRFS2883AF

Version : 01/22



Note: For planning purposes only. Always consult local and national electric, gas and plumbing codes.

Refer to Product Installation Guide for detailed installation instructions on the web at [frigidaire.com](http://frigidaire.com) / [frigidaire.ca](http://frigidaire.ca)

Specifications subject to change. Accessories information available on the web at [frigidaire.com](http://frigidaire.com) / [frigidaire.ca](http://frigidaire.ca)

USA • 10200 David Taylor Drive • Charlotte, NC 28262 • 1-800-FRIGIDAIRE • [frigidaire.com](http://frigidaire.com)

CANADA • 5855 Terry Fox Way • Mississauga, ON L5V 3E4 • 1-800-265-8352 • [frigidaire.ca](http://frigidaire.ca)