

DVG53BB8900

SAMSUNG

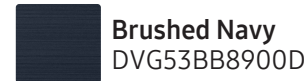
## Bespoke 7.6 cu. ft. Ultra Capacity Gas Dryer with AI Optimal Dry and Super Speed Dry



### Available Colors



Silver Steel  
DVG53BB8900T



Brushed Navy  
DVG53BB8900D

### Features

- Bespoke Design
- AI Optimal Dry
- Super Speed Dry
- AI Smart Dial
- MultiControl™
- Steam Sanitize+
- ENERGY STAR® Certified
- Shallow Closet-Depth Fit<sup>1</sup>
- Flexible Installation
- Wi-Fi Connectivity<sup>2</sup>
- Sensor Dry
- 7.6 cu. ft. Ultra Capacity
- Vent Sensor
- Lint Filter Indicator
- Stainless Steel Drum
- Premium Tempered Glass Door
- Internal Drum Light
- Drying Rack
- Reversible Dryer Door
- ADA Compliant<sup>3</sup>
- 20 Total Drying Cycles
- 14 Options
- 5 Temperature Settings
- 3-Way Venting

### Convenience

- Child Lock
- Filter Check Indicator

### Electrical Requirements

120 V / 60 Hz  
15 Amps



### Specifications

#### 20 Preset Drying Cycles:

Steam Refresh, Wrinkle Away, Steam Sanitize+, AI Optimal Dry, Super Speed, Eco Normal, Delicates, Normal, Heavy Duty, Towels, Permanent Press, Activewear, Bedding, Wool, Shirts, Denim, Time Dry, Air Fluff, Small Load, Rack Dry

#### 14 Options:

Damp Alert, Wrinkle Prevent, AntiStatic, My Cycles, Smart Monitor, Eco Dry, Drum Light, Child Lock, Alarm, AI Pattern, Wi-Fi, Language, Vent Blockage Test, Factory Reset

#### 5 Temperature Settings:

High, Medium, Medium Low, Low, Extra Low

#### 5 Dry Levels:

Very Dry, More Dry, Normal Dry, Less Dry, Damp Dry

#### Warranty

One (1) Year Parts and Labor

#### Product Dimensions & Weight (WxHxD)

Dimensions: 27" x 38<sup>3</sup>/<sub>4</sub>" x 31<sup>7</sup>/<sub>16</sub>"  
Weight: 125.7 lbs

#### Shipping Dimensions & Weight (WxHxD)

Dimensions: 29<sup>3</sup>/<sub>8</sub>" x 42<sup>15</sup>/<sub>16</sub>" x 34<sup>11</sup>/<sub>16</sub>"  
Weight: 132.3 lbs

Gas Dryer	Model #	UPC Code
Silver Steel	DVG53BB8900T	887276657325
Brushed Navy	DVG53BB8900D	887276657318

Electric Dryer	Model #	UPC Code
Silver Steel	DVE53BB8900T	887276657264
Brushed Navy	DVE53BB8900D	887276657257

Matching Washer	Model #	UPC Code
Silver Steel	WF53BG8900AT	887276652269
Brushed Navy	WF53BG8900AD	887276652252

Optional Accessories	Model #	UPC Code
Silver Steel Pedestal	WE502NT	887276665283
Brushed Navy Pedestal	WE502ND	887276665290
Silver Steel Bespoke Stacking and MultiControl™ Combo Kit	SKK-9MCT	887276667379
Brushed Navy Bespoke Stacking and MultiControl™ Combo Kit	SKK-9MCD	887276667362
Vent Kit	DV-2A	887276146416
Gas to Propane Converter Kit	LPKIT-4	887276352787

<sup>1</sup>Designed to fit a 38" installation depth.

<sup>2</sup>Requires wireless network, Samsung account and Samsung SmartThings App. The Samsung SmartThings App supports Android OS 4.0 (ICS) or later which is optimized for Samsung smartphones (Galaxy S and Galaxy Note series). This app also supports iOS 7 or later for iPhone models. Samsung SmartThings App available in App Store and Play Store.

<sup>3</sup>ADA Compliant when using 27" wide riser. (Riser model codes: WE272NV, WE272NW, WE272NC)

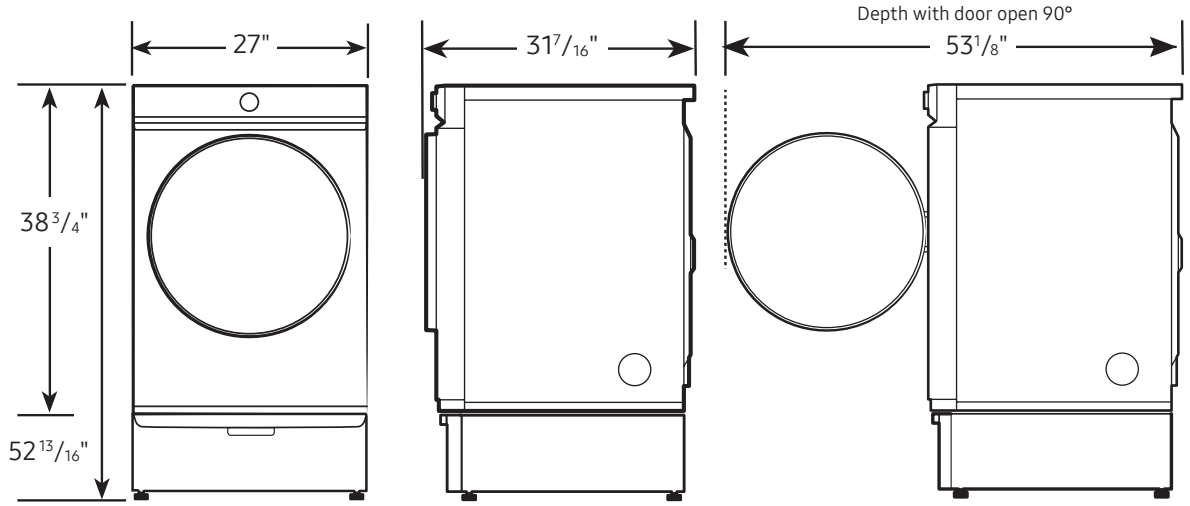
DVG53BB8900

SAMSUNG

# Bespoke 7.6 cu. ft. Ultra Capacity Gas Dryer with AI Optimal Dry and Super Speed Dry

## Dimensions

Required dimensions for installation with pedestal:

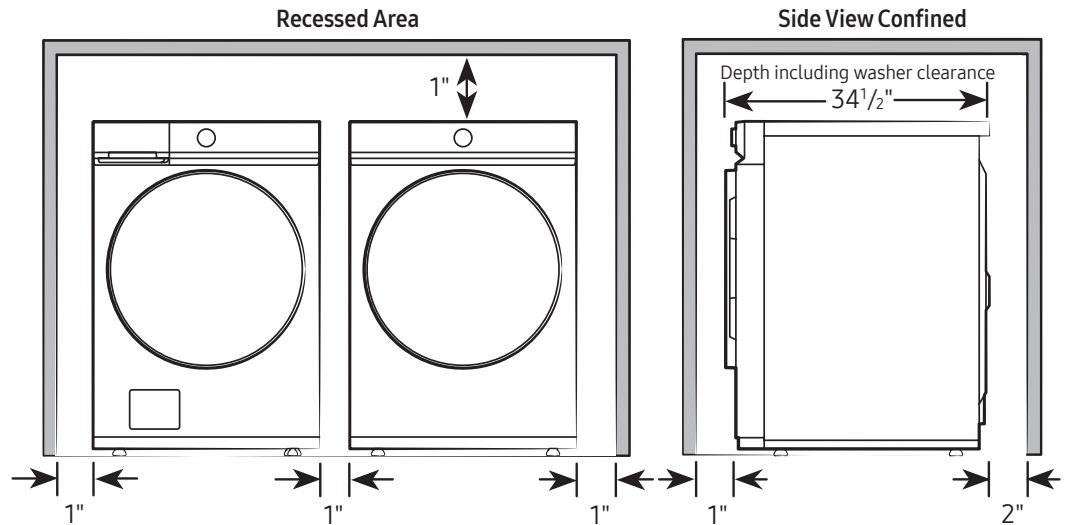


## Installation Specifications – Side-by-Side

If the washer and dryer are installed together or the dryer alone, the closet front must have two unobstructed air openings for a combined minimum total area of 72-inch<sup>2</sup>. Your washer alone does not require a specific air opening.

### Alcove or closet installation

Minimum clearance for closet and alcove installations:



## Connection Dimensions

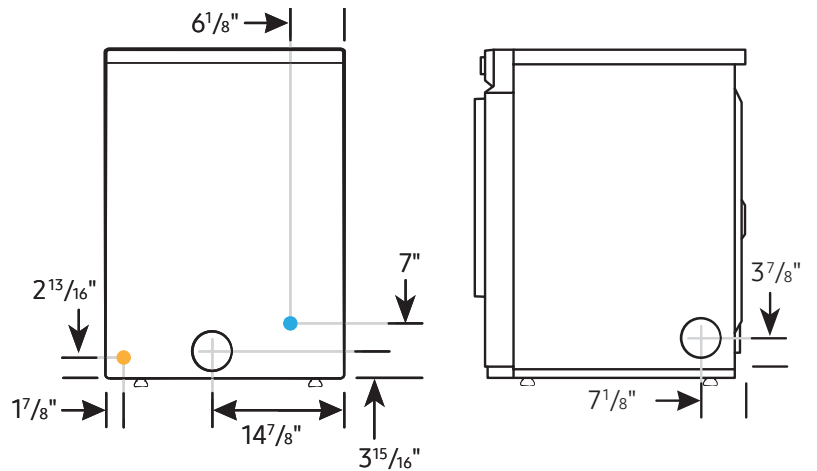
Back and side view of dryer

### LEGEND:

- Cold Water Connection
- Gas Connection

Actual color may vary. Design, specifications, and color availability are subject to change without notice. Non-metric weights and measurements are approximate.

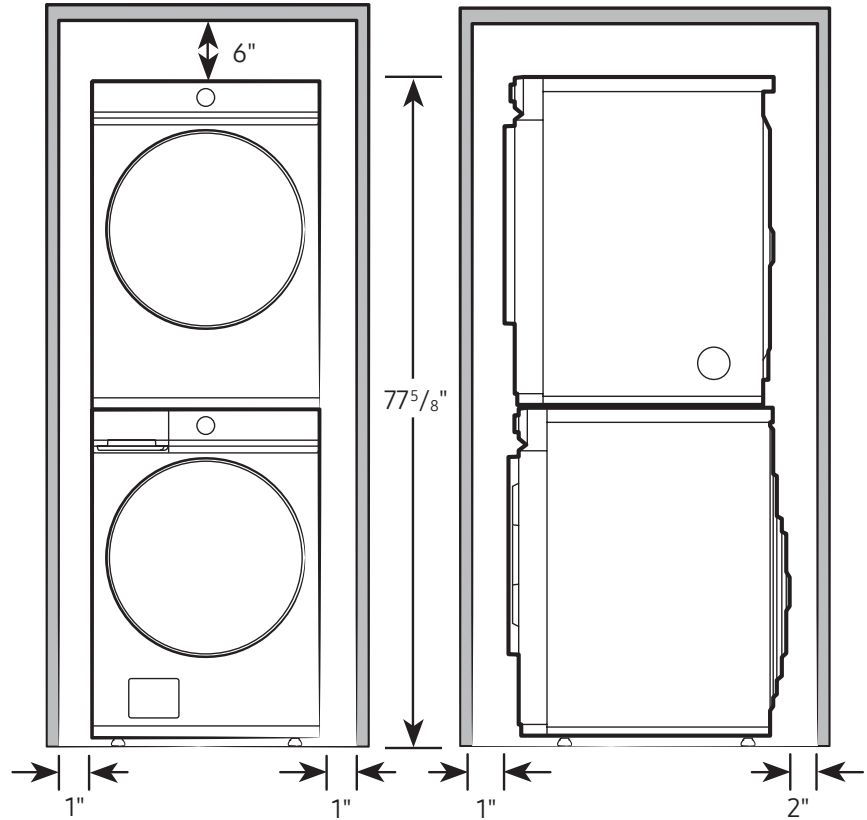
©2022 Samsung Electronics America, Inc., 85 Challenger Road, Ridgefield Park, NJ 07660. Tel: 800-SAMSUNG.samsung.com. Samsung is a registered trademark of Samsung Electronics Co., Ltd.



Bespoke 7.6 cu. ft. Ultra Capacity Gas Dryer  
with AI Optimal Dry and Super Speed Dry

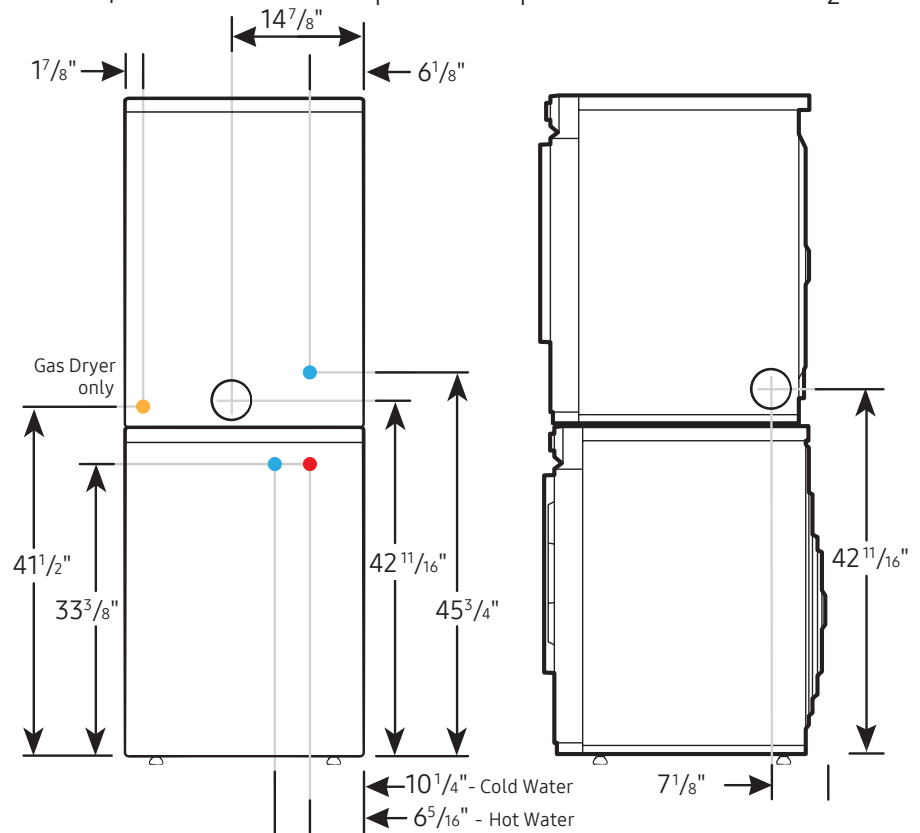
**Installation Specifications – Stacked Pair**

Clearances indicated are for stacked pairs. The closet front must have two unobstructed air openings for a combined minimum total area of 72-inch<sup>2</sup>.



**Connection Dimensions**

Back and side views of stacked pair



- LEGEND:**
- Cold Water Connection
  - Hot Water Connection
  - Gas Connection

Actual color may vary. Design, specifications, and color availability are subject to change without notice. Non-metric weights and measurements are approximate.