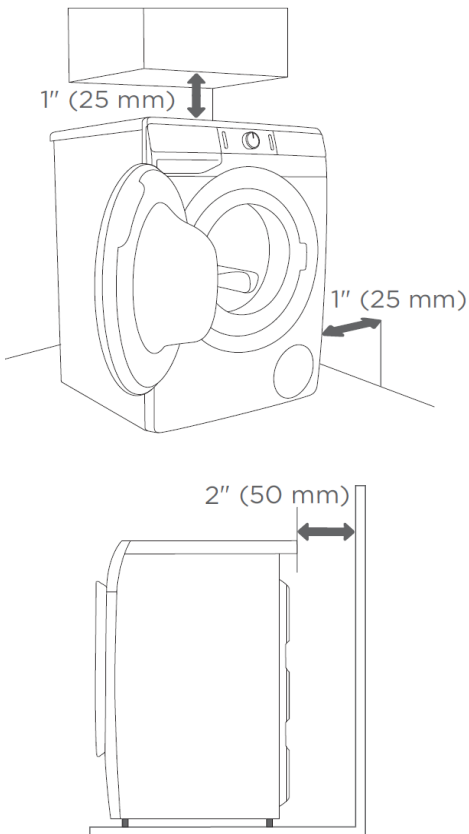




Dimensions & Installation



| MODEL     | WASHER TYPE | SIZE | COLOUR |
|-----------|-------------|------|--------|
| LUWM91400 | FRONT LOAD  | 24"  | WHITE  |

| FEATURES                     |   |
|------------------------------|---|
| Capacity cu. ft.             | 2.3   |
| Drum Material                | Stainless Steel   |
| Load Capacity lbs/kg         | 9 kg / 19.8 lbs   |
| Controls                     | Electronic  |
| Number of Cycles             | 14 Programs:<br>Auto Wash, Allergy Care, Down Wear, Active Wear, Cotton Dark, Cotton Colour, Cotton White, Mixed Fabric, Wool, Heavy Duty, Quick Wash, Spin+Drain, Rinsing & Sanitize Tub |
| Auxiliary Functions          | EcoCare, TimeCare, EcoEye, Prewash, Water+, Temperature Setting & Spin  |
| RPM                          | 1400  |
| Motor                        | Brushless   |
| Time Delay                   | Yes   |
| Child Lock                   | Yes   |
| Adjustable Feet              | Yes   |
| TECHNICAL                    |   |
| Energy Star Qualified        | Yes   |
| Energy consumption, kWh/year | 100   |
| RoHs compliant               | Yes   |
| Height                       | 23½" (850 mm)   |
| Width                        | 23½" (600 mm)   |
| Depth                        | 23½" (850 mm)   |
| Weight                       | 78 kg / 172 lbs   |
| Electrical connection:       | Power Plug (Plugs into dryer)   |