

SLIDE-IN ELECTRIC RANGE OWNER'S MANUAL

MANUEL D'UTILISATION DE LA CUISINIÈRE ÉLECTRIQUE ENCASTRÉE

Table of Contents/Table des matières

RANGE SAFETY	2	SÉCURITÉ DE LA CUISINIÈRE	16
Range Safety.....	2	Sécurité de la cuisinière	16
RANGE MAINTENANCE AND CARE	4	ENTRETIEN ET RÉPARATION DE LA CUISINIÈRE	19
General Cleaning.....	4	Nettoyage général.....	19
Clean Cycle.....	5	Programme de Nettoyage.....	20
INSTALLATION INSTRUCTIONS	6	INSTRUCTIONS D'INSTALLATION	22
REQUIREMENTS	6	SPÉCIFICATIONS	22
Tools and Parts	6	Outils et pièces.....	22
Location Requirements	7	Exigences d'emplacement	22
Electrical Requirements - U.S.A. Only	8	Spécifications Électriques – É.-U. seulement	23
Electrical Requirements - Canada Only	8	Spécifications électriques – Canada seulement.....	24
INSTALLATION	9	INSTALLATION	25
Unpack Range	9	Déballage de la cuisinière	25
Install Anti-Tip Bracket	9	Installation de la bride antibasculement	25
Adjust Leveling Legs	10	Réglage des pieds de nivellement	26
Level Range	11	Réglage de l'aplomb de la cuisinière	27
Electrical Connection - U.S.A. Only.....	11	Raccordement Électrique – É.-U. seulement.....	27
Verify Anti-Tip Bracket Is Installed and Engaged	13	Vérifier que la Bride Antibasculement est bien Installée et Engagée	29
Remove/Replace Drawer.....	14	Enlever/replacer le tiroir	30
Oven Door.....	14	Porte du four.....	30
Complete Installation	15	Achever l'installation.....	31
Moving the Range.....	15	Déplacement de la cuisinière.....	31

IMPORTANT:

Save for local electrical inspector's use.

IMPORTANT :

À conserver pour consultation par l'inspecteur local des installations électriques.

RANGE SAFETY

Your safety and the safety of others are very important.

We have provided many important safety messages in this manual and on your appliance. Always read and obey all safety messages.



This is the safety alert symbol.

This symbol alerts you to potential hazards that can kill or hurt you and others.

All safety messages will follow the safety alert symbol and either the word "DANGER" or "WARNING." These words mean:

▲ DANGER

You can be killed or seriously injured if you don't immediately follow instructions.

▲ WARNING

You can be killed or seriously injured if you don't follow instructions.

All safety messages will tell you what the potential hazard is, tell you how to reduce the chance of injury, and tell you what can happen if the instructions are not followed.

The range will not tip during normal use. However, the range can tip if you apply too much force or weight to the open door without having the anti-tip bracket fastened down properly.

▲ WARNING

Tip Over Hazard

A child or adult can tip the range and be killed.

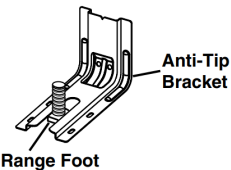
Install anti-tip bracket to floor or wall per installation instructions.

Slide range back so rear range foot is engaged in the slot of the anti-tip bracket.

Re-engage anti-tip bracket if range is moved.

Do not operate range without anti-tip bracket installed and engaged.

Failure to follow these instructions can result in death or serious burns to children and adults.



To verify the anti-tip bracket is properly installed and engaged:

- Slide range forward.
- Look for the anti-tip bracket securely attached to floor or wall.
- Slide range back so rear range foot is under the anti-tip bracket.
- See Installation Instructions for details.

IMPORTANT SAFETY INSTRUCTIONS

WARNING: To reduce the risk of fire, electric shock, or injury to persons when using the appliance, follow basic precautions, including the following:

- **WARNING:** TO REDUCE THE RISK OF TIPPING OF THE RANGE, THE RANGE MUST BE SECURED BY PROPERLY INSTALLED ANTI-TIP DEVICES. TO CHECK IF THE DEVICES ARE INSTALLED PROPERLY, SLIDE RANGE FORWARD, LOOK FOR ANTI-TIP BRACKET SECURELY ATTACHED TO FLOOR OR WALL, AND SLIDE RANGE BACK SO REAR RANGE FOOT IS UNDER ANTI-TIP BRACKET.
- **WARNING:** Danger of fire: Do not store items on the cooking surfaces. Never leave anything on the surface when unattended and not in use. Never place flammable or plastic items on or near the surface.
- **CAUTION:** Do not store items of interest to children in cabinets above an appliance or on the backguard of an appliance - children climbing on the appliance to reach items could be seriously injured.

SAVE THESE INSTRUCTIONS

IMPORTANT SAFETY INSTRUCTIONS

- Proper Installation - The appliance, when installed, must be electrically grounded in accordance with local codes, or in the absence of local codes, with the *National Electrical Code, ANSI/NFPA 70* or the *Canadian Electrical Code, CSA C22.1-02*. In Canada, the appliance must be electrically grounded in accordance with Canadian Electrical Code. Be sure your appliance is properly installed and grounded by a qualified technician.
 - Never Use Your Appliance for Warming or Heating the Room.
 - Do Not Leave Children Alone - Children should not be left alone or unattended in area where appliance is in use. They should never be allowed to sit or stand on any part of the appliance.
 - Wear Proper Apparel – Loose-fitting or hanging garments should never be worn while using the appliance.
 - User Servicing – Do not repair or replace any part of the appliance unless specifically recommended in the manual. All other servicing should be referred to a qualified technician.
 - Storage in or on Appliance – Flammable materials should not be stored in an oven or near surface units.
 - This appliance is not intended for storage.
 - Do Not Use Water on Grease Fires – Smother fire or flame or use dry chemical or foam-type extinguisher.
 - Do not use replacement parts that have not been recommended by the manufacturer (e.g. parts made at home using a 3D printer).
 - Use Only Dry Potholders – Moist or damp potholders on hot surfaces may result in burns from steam. Do not let potholder touch hot heating elements. Do not use a towel or other bulky cloth.
 - DO NOT TOUCH SURFACE UNITS OR AREAS NEAR UNITS – Surface units may be hot even though they are dark in color. Areas near surface units may become hot enough to cause burns. During and after use, do not touch, or let clothing or other flammable materials contact surface units or areas near units until they have had sufficient time to cool. Among these areas are the coil elements, the cooktop, and surfaces facing the cooktop.
 - Use Proper Pan Size – This appliance is equipped with one or more surface units of different size. Select utensils having flat bottoms large enough to cover the surface unit heating element. The use of undersized utensils will expose a portion of the heating element to direct contact and may result in ignition of clothing. Proper relationship of utensil to burner will also improve efficiency.
 - Never Leave Surface Units Unattended at High Heat Settings – Boilover causes smoking and greasy spillovers that may ignite.
 - Make Sure Reflector Pans or Drip Bowls Are in Place – Absence of these pans or bowls during cooking may subject wiring or components underneath to damage.
 - Protective Liners – Do not use aluminum foil to line surface unit drip bowls or oven bottoms, except as suggested in the manual. Improper installation of these liners may result in a risk of electric shock, or fire.
 - Glazed Cooking Utensils – Only certain types of glass, glass/ceramic, ceramic, earthenware, or other glazed utensils are suitable for range-top service without breaking due to the sudden change in temperature.
 - Utensil Handles Should Be Turned Inward and Not Extend Over Adjacent Surface Units – To reduce the risk of burns, ignition of flammable materials, and spillage due to unintentional contact with the utensil, the handle of a utensil should be positioned so that it is turned inward, and does not extend over adjacent surface units.
 - Do Not Soak Removable Heating Elements – Heating elements should never be immersed in water.
 - Do Not Cook on Broken Cook-Top – If cook-top should break, cleaning solutions and spillovers may penetrate the broken cook-top and create a risk of electric shock. Contact a qualified technician immediately.
 - Clean Cooktop With Caution – If a wet sponge or cloth is used to wipe spills on a hot cooking area, be careful to avoid steam burn. Some cleaners can produce noxious fumes if applied to a hot surface.
 - Use Care When Opening Door – Let hot air or steam escape before removing or replacing food.
 - Do Not Heat Unopened Food Containers – Build-up of pressure may cause container to burst and result in injury.
 - Keep Oven Vent Ducts Unobstructed.
 - Placement of Oven Racks – Always place oven racks in desired location while oven is cool. If rack must be moved while oven is hot, do not let potholder contact hot heating element in oven.
 - DO NOT TOUCH HEATING ELEMENTS OR INTERIOR SURFACES OF OVEN – Heating elements may be hot even though they are dark in color. Interior surfaces of an oven become hot enough to cause burns. During and after use, do not touch, or let clothing or other flammable materials contact heating elements or interior surfaces of oven until they have had sufficient time to cool. Other surfaces of the appliance may become hot enough to cause burns – among these surfaces are oven vent openings and surfaces near these openings, oven doors, and windows of oven doors.
 - Care must be taken to prevent aluminum foil and meat probes from contacting heating elements.
- For self-cleaning ranges –**
- **CAUTION: DO NOT LEAVE FOOD OR COOKING UTENSILS, ETC., IN OVEN DURING THE PYROLYTIC SELF-CLEANING MODE OF OPERATION.**
 - Do Not Clean Door Gasket – The door gasket is essential for a good seal. Care should be taken not to rub, damage, or move the gasket.
 - Do Not Use Oven Cleaners – No commercial oven cleaner or oven liner protective coating of any kind should be used in or around any part of the oven.
 - Clean Only Parts Listed in Manual.
 - Before Self-Cleaning the Oven – Remove broiler pan and other utensils.
- For units with ventilating hood –**
- Clean Ventilating Hoods Frequently – Grease should not be allowed to accumulate on hood or filter.
 - When flaming foods under the hood, turn the fan on.
- For smart enabled ranges and ovens**
- Remote operation – This appliance is configurable to allow remote operation at any time. Do not store any flammable materials or temperature sensitive items inside, on top or near surface units of the appliance.

SAVE THESE INSTRUCTIONS

RANGE MAINTENANCE AND CARE

General Cleaning

IMPORTANT: Before cleaning, make sure all controls are off and the oven and cooktop are cool. Always follow label instructions on cleaning products.

Soap, water, and a soft cloth or sponge are suggested first, unless otherwise noted.

EXTERIOR PORCELAIN ENAMEL SURFACES (on some models)

Food spills containing acids, such as vinegar and tomato, should be cleaned as soon as the entire range is cool. These spills may affect the finish.

Cleaning Method:

- Glass cleaner, mild liquid cleaner, or nonabrasive scrubbing pad: Gently clean around the model/serial/rating plate because scrubbing may remove numbers.

- Affresh®+ Kitchen and Appliance Cleaner Part Number W10355010 (not included):

See the Quick Start Guide for contact information.

STAINLESS STEEL (on some models)

NOTE: To avoid damage to stainless steel surfaces, do not use soap-filled scouring pads, abrasive cleaners, Cooktop Cleaner, steel-wool pads, gritty washcloths, or abrasive paper towels. Damage may occur to stainless steel surfaces, even with one-time or limited use.

Cleaning Method:

Rub in direction of grain to avoid damaging.

- Affresh® Stainless Steel Cleaner Part Number W10355016 (not included):

See the Quick Start Guide for contact information.

METALLIC PAINT (on some models)

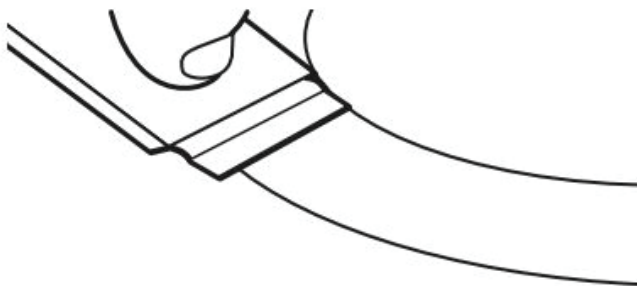
Do not use abrasive cleaners, cleaners with bleach, rust removers, ammonia, or sodium hydroxide (lye) because paint surface may stain.

CERAMIC GLASS COOKTOP CLEANING

Cleaning Method:

To avoid damaging the cooktop, do not use steel wool, abrasive powder cleansers, chlorine bleach, rust remover, or ammonia.

1. Remove food/residue with the Cooktop Scraper.

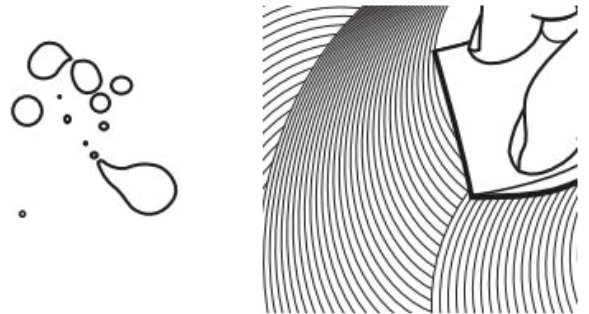


- For best results, use the Cooktop Scraper while the cooktop is still warm but not hot to the touch. It is recommended to wear an oven mitt while scraping the warm cooktop.

- Hold the Cooktop Scraper at approximately a 45° angle against the glass surface and scrape the residue. It will be necessary to apply pressure in order to remove the residue.

Allow the cooktop to cool down completely before proceeding to Step 2.

2. Apply a few dime-sized drops of Cooktop Cleaner to the affected areas.



- Rub affresh® Cleaner onto the cooktop surface with the blue Cooktop Cleaning Pad. Some pressure is needed to remove stubborn stains.

- Allow the cleaner to dry to a white haze before proceeding to Step 3.

3. Polish with a clean, dry cloth or a clean, dry paper towel.



- Repeat steps 1 through 3 as necessary for stubborn or burned-on stains.

The Complete Cooktop Cleaner Kit is available for order including the following:

- Cooktop Scraper
- Affresh® Cooktop Cleaner
- Blue Cooktop Cleaning Pads

See the Quick Start Guide for ordering information.

COOKTOP CONTROLS

To avoid damage to the cooktop controls, do not use steel wool, abrasive cleansers, or oven cleaner.

To avoid damage, do not soak knobs. When replacing knobs, make sure knobs are in the Off position.

On some models, do not remove seals under knobs.

Cleaning Method:

- Soap and water: Pull knobs straight away from control panel to remove.

CONTROL PANEL AND OVEN DOOR EXTERIOR

To avoid damage to the control panel, do not use abrasive cleaners, steel-wool pads, gritty washcloths, or abrasive paper towels.

Cleaning Method:

- Glass cleaner and soft cloth or sponge: Apply glass cleaner to soft cloth or sponge, not directly on panel.
- Affresh® Kitchen and Appliance Cleaner Part Number W10355010 (not included):

See the Quick Start Guide for contact information.

OVEN RACKS

Cleaning Method:

- Steel-wool pad
- For racks that have discolored and are harder to slide, a light coating of vegetable oil applied to the rack guides will help them slide.
- Dishwasher (steam rack water reservoir only, not racks): Although the water reservoir is durable, it may lose its shine and/or discolor when washed in a dishwasher.

STORAGE DRAWER OR WARMING DRAWER (on some models)

Check that storage drawer or warming drawer is cool and empty before cleaning.

Cleaning Method:

- Mild detergent

BAKING DRAWER (on some models)

Check that baking drawer is cool and empty before cleaning.

Food spills should be cleaned when oven cools. At high temperatures, foods react with porcelain. Staining, etching, pitting, or faint white spots can result.

Cleaning Method:

- Mild detergent

OVEN CAVITY

Depending on your model, use AquaLift® Technology or Self-Clean cycle regularly to clean oven spills.

Do not use oven cleaners.

Food spills should be cleaned when oven cools. At high temperatures, foods react with porcelain. Staining, etching, pitting, or faint white spots can result.

Cleaning Method:

- Clean cycle: See "Clean Cycle" first.

Clean Cycle

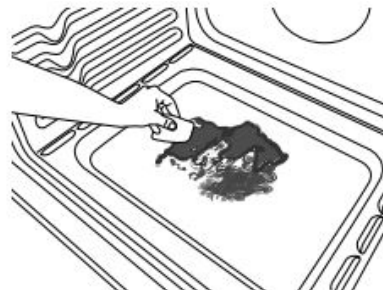


AquaLift® Technology is an innovative cleaning solution that utilizes heat and water to release baked-on spills from the oven in less than 1 hour. This new cleaning technology is a low-heat, odor-free alternative to traditional self-cleaning options.

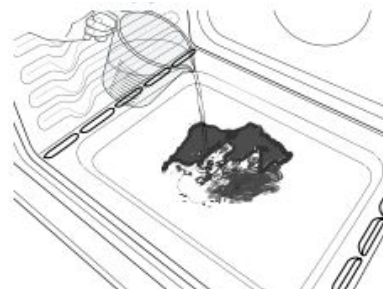
Allow the oven to cool to room temperature before using the Clean cycle. If your oven cavity is above 200°F (93°C), it will appear in the display, and the Clean cycle will not be activated until the oven cavity cools down.

To Clean:

1. Remove all racks and accessories from the oven cavity, and wipe excess soil. Use a plastic scraper to remove easily removed soils.



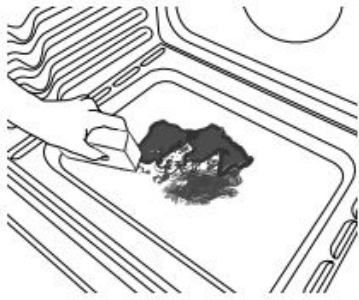
2. Pour 2 cups (16 oz [500 mL]) of distilled or filtered water onto the bottom of the empty oven, and close the oven door.



IMPORTANT: Do not use chemicals or other additives with the water. Do not open the oven door during the Clean cycle. The water on the oven bottom is hot.

3. Press CLEAN or AQUALIFT SELF CLEAN and then START on the oven control panel.
4. Allow 40 minutes for cleaning and cool down. A beep will sound when the Clean cycle is complete.
5. Press CANCEL, CANCEL UPPER or OFF at the end of the cycle. Cancel, Cancel Upper or Off may be pressed at any time to stop the Clean cycle.

6. Remove the residual water and loosened soils with a sponge or cloth immediately after the Clean cycle is complete. Much of the initial 2 cups (16 oz [500 mL]) of water will remain in the oven after the cycle is completed. If additional soils remain, leave a small amount of water in the oven bottom to assist with the cleaning.



7. If any soils remain, remove them with a non-scratch scrubbing sponge or plastic scraper. Additional Clean cycles may be run to help remove the stubborn soils.

IMPORTANT: Do not use oven cleaners. The use of chemicals, including commercial oven cleaners or metal scouring pads, may cause permanent damage to the porcelain surface of the oven interior.

NOTES:

- The range should be level to ensure that the entire surface of the bottom of the oven cavity is covered by water at the beginning of the Clean cycle.
- For best results, use distilled or filtered water. Tap water may leave mineral deposits on the oven bottom.
- Before removing the residual water and loosened soils at the end of the Clean cycle, insert a cloth or paper towel between the lower edge of the oven door and the front frame to keep water from spilling onto the front of the range and the floor.
- Soil baked on through several cooking cycles will be more difficult to remove with the Clean cycle.
- Nonabrasive scrub sponges or eraser style cleaning pads (without cleaners) can be effective for cleaning the oven cavity walls, oven door and oven bottom for difficult soils. For best results, moisten the pads and sponges before use.
- Run an additional Clean cycle for stubborn soils.
- Affresh® Kitchen Appliance Cleaner and affresh® Cooktop Cleaner may be used to clean the oven bottom, walls, and door when the oven has finished the cycle and returned to room temperature. If affresh® Cooktop Cleaner is used, it is recommended to wipe out the cavity with distilled water as well. Refer to the Quick Start Guide for ordering information.
- Additional AquaLift® Technology Cleaning Kits may be obtained by ordering Part Number W10423113RP. Refer to the Quick Start Guide for ordering information.
- For assistance with AquaLift® Technology, call **1-877-258-0808** in the U.S.A. or **1-800-807-6777** in Canada, or visit our website at <http://whirlpoolcorp.com/aqualift>.

INSTALLATION INSTRUCTIONS REQUIREMENTS

Tools and Parts

Gather the required tools and parts before starting installation. Read and follow the instructions provided with any tools listed here.

Tools needed

- Tape measure
- Flat-blade screwdriver
- Phillips screwdriver
- Level
- Hammer
- Hand or electric drill
- Wrench or pliers
- Marker or pencil
- Flashlight
- Torque Wrench
- Masking tape
- 1/4" (6.4 mm) drive ratchet
- 1/4" (6.4 mm) nut driver
- 3/8" (9.5 mm) and 5/16" (8 mm) nut driver
- 1/8" (3.2 mm) drill bit (for wood floors)
- Tin snips or large wire cutters (for cutting ground-link strap if necessary)

Parts supplied

Check that all parts are included.

- 10-32 hex nuts (attached to terminal block) (3)
 - Direct wire lugs (3)
 - #10 x 1 5/8" (4.1 cm) screws (for mounting anti-tip bracket) (2)
 - Anti-tip bracket (inside oven cavity)
- Anti-tip bracket must be securely mounted to the back wall or floor. Thickness of flooring may require longer screws to anchor bracket to subfloor. Longer screws are available from your local hardware store.

Parts needed

If using a power supply cord kit:

- A UL listed power supply cord kit marked for use with ranges. The cord should be rated at 250 V minimum, 40 A or 50 A that is marked for use with nominal 1 3/8" (3.5 cm) diameter connection opening and must end in ring terminals or open-end spade terminals with upturned ends.
- A UL listed strain relief.

Check local codes. Check existing electrical supply. See the appropriate "Electrical Requirements" section.

It is recommended that all electrical connections be made by a licensed, qualified electrical installer.

NOTE: Be sure to purchase only Whirlpool factory-certified parts and accessories for your appliance. Your installation may require additional parts. To order, refer to the contact information referenced in your Quick Start Guide.

Optional Parts

To purchase side trim kits, backsplash kits, or any other accessories see the Quick Start Guide for ordering information.

NOTE: Be sure to purchase only Whirlpool factory-certified parts and accessories for your appliance. Your installation may require additional parts. To order, refer to the contact information referenced in your Quick Start Guide.

Location Requirements

IMPORTANT: Observe all governing codes and ordinances.

- It is the installer's responsibility to comply with installation clearances specified on the model/serial/rating plate. The model/serial/rating plate is located behind the oven door on the top right-hand side of the oven frame.
- To eliminate the risk of burns or fire by reaching over the heated surface units, cabinet storage space located above the surface units should be avoided. If cabinet storage is to be provided, the risk can be reduced by installing a range hood or microwave hood combination that projects horizontally a minimum of 5" (12.7 cm) beyond the bottom of the cabinets.
- The range should be located for convenient use in the kitchen.
- Recessed installations must provide complete enclosure of the sides and rear of the range.
- All openings in the wall or floor where range is to be installed must be sealed.
- Cabinet opening dimensions that are shown must be used. Given dimensions are minimum clearances.
- The anti-tip bracket must be installed. To install the anti-tip bracket shipped with the range, see the "Install Anti-Tip Bracket" section.
- Grounded electrical supply is required. See the appropriate "Electrical Requirements" section.
- Contact a qualified floor covering installer to check that the floor covering can withstand at least 200°F (93°C).
- Use an insulated pad or 1/4" (6.4 mm) plywood under range if installing range over carpeting.

IMPORTANT: To avoid damage to your cabinets, check with your builder or cabinet supplier to make sure that the materials used will not discolor, delaminate, or sustain other damage. This oven has been designed in accordance with the requirements of UL and CSA International and complies with the maximum allowable wood cabinet temperatures of 194°F (90°C).

Mobile Home - Additional Installation Requirements

The installation of this range must conform to the Manufactured Home Construction and Safety Standard, Title 24 CFR, Part 3280 (formerly the Federal Standard for Mobile Home Construction and Safety, Title 24, HUD Part 280). When such standard is not applicable, use the Standard for Manufactured Home Installations, ANSI A225.1/NFPA 501A or with local codes.

In Canada, the installation of this range must conform with the current standards CAN/CSA-Z240.1-latest edition, or with local codes.

Mobile Home Installations Require:

- When this range is installed in a mobile home, it must be secured to the floor during transit. Any method of securing the range is adequate as long as it conforms to the standards listed above.
- Four-wire power supply cord or cable must be used in a mobile home installation.

Cabinet Dimensions

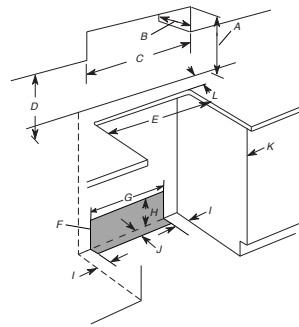
Cabinet opening dimensions shown are for 25" (64.0 cm) countertop depth, 24" (61.0 cm) base cabinet depth and 36" (91.4 cm) countertop height.

IMPORTANT: If installing a range hood or microwave hood combination above the range, follow the range hood or microwave hood combination installation instructions for dimensional clearances above the cooktop surface.

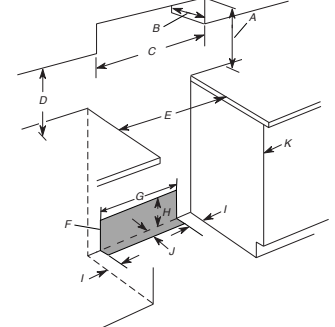
Range may be installed next to combustible walls with zero clearance.

NOTE: When installed in a slide-in cutout, the front of oven door may protrude beyond the base cabinet.

Slide-In Cutout



Freestanding Cutout



- | | |
|--|--|
| A. For minimum clearance to top of cooktop, see NOTE* | A. For minimum clearance to top of cooktop, see NOTE* |
| B. 13" (33 cm) maximum upper cabinet depth | B. 13" (33 cm) maximum upper cabinet depth |
| C. 30" (76.2 cm) minimum opening width | C. 30" (76.2 cm) minimum opening width |
| D. 18" (45.7 cm) upper side cabinet to countertop | D. 18" (45.7 cm) upper side cabinet to countertop |
| E. 30" (76.2 cm) minimum opening width | E. 30" (76.2 cm) minimum opening width |
| F. The shaded area is recommended for installation of grounded outlet. | F. The shaded area is recommended for installation of grounded outlet. |
| G. 13 ¹ / ₈ " (33.3 cm) | G. 13 ¹ / ₈ " (33.3 cm) |
| H. 7 ¹¹ / ₁₆ " (19.5 cm) | H. 7 ¹¹ / ₁₆ " (19.5 cm) |
| I. 4 ¹³ / ₁₆ " (12.2 cm) | I. 4 ¹³ / ₁₆ " (12.2 cm) |
| J. 3 ¹ / ₁₆ " (9.4 cm) plus measurement of L | J. 3 ¹ / ₁₆ " (9.4 cm) |
| K. Cabinet door or hinges should not extend into the cutout. | K. Cabinet door or hinges should not extend into the cutout. |
| L. Remaining counter depth should not exceed 2 ¹ / ₄ " (5.7 cm). | |

***NOTE:** 24" (61.0 cm) minimum when bottom of wood or metal cabinet is shielded by not less than 1/4" (0.64 cm) flame retardant millboard covered with not less than No. 28 MSG sheet steel, 0.015" (0.4 mm) stainless steel, 0.024" (0.6 mm) aluminum or 0.020" (0.5 mm) copper.

30" (76.2 cm) minimum clearance between the top of the cooking platform and the bottom of an uncovered wood or metal cabinet.

Electrical Requirements - U.S.A. Only

⚠ WARNING



Electrical Shock Hazard

Electrically ground appliance.

Failure to do so could result in death, fire, or electrical shock.

If codes permit and a separate ground wire is used, it is recommended that a qualified electrical installer determine that the ground path and wire gauge are in accordance with local codes.

Do not use an extension cord.

Be sure that the electrical connection and wire size are adequate and in conformance with the National Electrical Code, ANSI/ NFPA 70-latest edition and all local codes and ordinances.

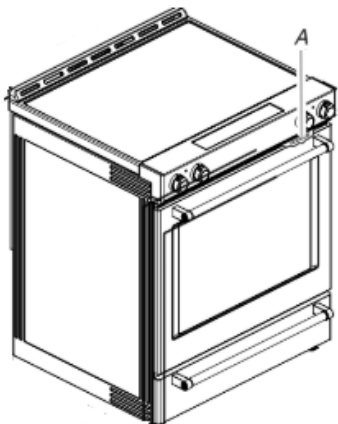
A copy of the above code standards can be obtained from:
 National Fire Protection Association
 1 Batterymarch Park
 Quincy, MA 02169-7471

WARNING: Improper connection of the equipment-grounding conductor can result in a risk of electric shock. Check with a qualified electrician or service technician if you are in doubt as to whether the appliance is properly grounded. Do not modify the power supply cord plug. If it will not fit the outlet, have a proper outlet installed by a qualified electrician.

Electrical Connection

To properly install your range, you must determine the type of electrical connection you will be using and follow the instructions provided for it here.

- Range must be connected to the proper electrical voltage and frequency as specified on the model/serial/rating plate. The model/serial/rating plate is located behind the oven door on the top right-hand side of the oven frame.



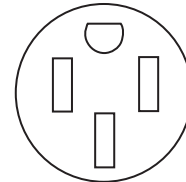
A. Model/serial/rating plate (located behind the oven door on the top right-hand side of the oven frame)

Range Rating*		Specified Rating of Power Supply Cord Kit and Circuit Protection
120/240 V	120/208 V	Ampere
8.8-16.5 kW	7.8-12.5 kW	40 or 50**
16.6-22.5 kW	12.6-18.5 kW	50

*The NEC calculated load is less than the total connected load listed on the model/serial/rating plate.

**If connecting to a 50 A circuit, use a 50 A rated cord with kit. For 50 A rated cord kits, use kits that specify use with a nominal 1³/₈" (3.5 cm) diameter connection opening.


- A circuit breaker is recommended.
- The range can be connected directly to the circuit breaker box (or fused disconnect) through flexible or nonmetallic sheathed, copper or aluminum cable. See the "Electrical Connection - U.S.A. Only" section.
- Allow at least 6 ft (1.8 m) of slack in the line so that the range can be moved if servicing is ever necessary.
- A UL listed conduit connector must be provided at each end of the power supply cable (at the range and at the junction box).
- Wire sizes and connections must conform with the rating of the range.
- The tech sheet is available online.
- This range is equipped with a CSA International Certified Power Cord intended to be plugged into a standard 14-50R wall receptacle. Be sure the wall receptacle is within reach of range's final location.



- Do not use an extension cord.

Electrical Requirements - Canada Only

⚠ WARNING



Electrical Shock Hazard

Electrically ground appliance.

Failure to do so could result in death, fire, or electrical shock.

If codes permit and a separate ground wire is used, it is recommended that a qualified electrical installer determine that the ground path is adequate and wire gauge are in accordance with local codes.

Be sure that the electrical connection and wire size are adequate and in conformance with CSA Standard C22.1, Canadian Electrical Code, Part 1 - latest edition, and all local codes and ordinances.

A copy of the above code standards can be obtained from:

Canadian Standards Association
178 Rexdale Blvd.
Toronto, ON M9W 1R3 CANADA

- Check with a qualified electrical installer if you are not sure the range is properly grounded.

Range Rating*		Specified Rating of Power Supply Cord Kit and Circuit Protection
120/240 V	120/208 V	Ampere
8.8-16.5 kW	7.8-12.5 kW	40 or 50**
16.6-22.5 kW	12.6-18.5 kW	50

*The NEC calculated load is less than the total connected load listed on the model/serial/rating plate.

**If connecting to a 50 A circuit, use a 50 A rated cord with kit. For 50 A rated cord kits, use kits that specify use with a nominal 1³/₈" (34.9 mm) diameter connection opening.

- When a 4-wire, single phase 250 V, 60 Hz, AC-only electrical supply is available, a 40 A minimum circuit protection is required on 30" (76.2 cm) ranges, fused on both sides of the line.
- A circuit breaker is recommended.
- This range is equipped with a UL or CSA International Certified Power Cord intended to be plugged into a standard 14-50R wall receptacle. Be sure the wall receptacle is within reach of range's final location.



- Do not use an extension cord.

INSTALLATION

Unpack Range

⚠ WARNING

Excessive Weight Hazard

Use two or more people to move and install or uninstall appliance.

Failure to do so can result in back or other injury.

- Remove shipping materials, tape and film from the range. Keep cardboard bottom under range. Do not dispose of anything until the installation is complete.
- Remove oven racks and parts package from oven and shipping materials.
- To remove cardboard bottom, first take 4 cardboard corners from the carton. Stack one cardboard corner on top of another. Repeat with the other 2 corners. Place them lengthwise on the floor behind the range to support the range when it is laid on its back.
- Using 2 or more people, firmly grasp the range and gently lay it on its back on the cardboard corners.

- Remove cardboard bottom.

The leveling legs can be adjusted while the range is on its back. See the "Adjust Leveling Legs" section.

NOTE: To place range back up into a standing position, put a sheet of cardboard or hardboard on the floor in front of range to protect the flooring. Using 2 or more people, stand range back up onto the cardboard or hardboard.

Install Anti-Tip Bracket

⚠ WARNING



Tip Over Hazard

A child or adult can tip the range and be killed.

Install anti-tip bracket to floor or wall per installation instructions.

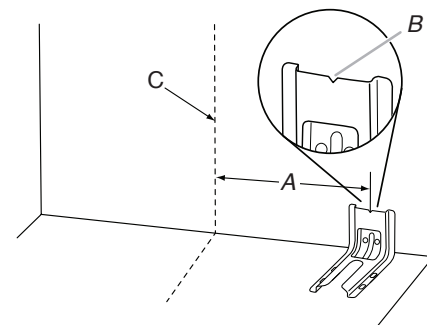
Slide range back so rear range foot is engaged in the slot of the anti-tip bracket.

Re-engage anti-tip bracket if range is moved.

Do not operate range without anti-tip bracket installed and engaged.

Failure to follow these instructions can result in death or serious burns to children and adults.

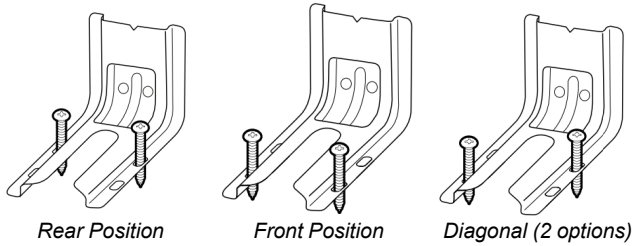
- Remove the anti-tip bracket from the inside of the oven.
- Determine which mounting method to use: floor or wall.
If you have a stone or masonry floor, you can use the wall mounting method. If you are installing the range in a mobile home, you must secure the range to the floor.
This anti-tip bracket and screws can be used with wood or metal studs.
- Determine and mark centerline of the cutout space. The mounting can be installed on either the left-side or right-side of the cutout. Position mounting bracket against the wall in the cutout so that the V-notch of the bracket is 12¹/₂" (31.8 cm) from centerline as shown.



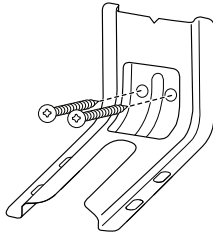
- A. 12¹/₂" (31.8 cm)
- B. Bracket V-notch
- C. Centerline

- Drill two 1/8" (3 mm) holes that correspond to the bracket holes of the determined mounting method. See the following illustrations.

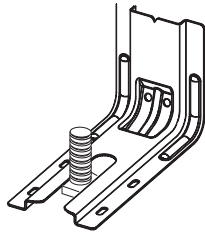
Floor Mounting



Wall Mounting



- Using the two #10 x 1⁵/₈" (4.1 cm) Phillips-head screws provided, mount anti-tip bracket to the wall or floor.
- Move range close enough to opening to allow for final electrical connections. Remove shipping base, cardboard or hardboard from under range.
- Move range into its final location, making sure rear leveling leg slides into anti-tip bracket.



- Move range forward onto shipping base, cardboard or hardboard to continue installing the range using the following installation instructions.

Adjust Leveling Legs

- If range height adjustment is necessary, use a wrench or pliers to loosen the four leveling legs.

This may be done with the range on its back or with the range supported on two legs after the range has been placed back to a standing position.

NOTE: To place range back up into a standing position, put a sheet of cardboard or hardboard in front of range. Using two or more people, stand range back up onto the cardboard or hardboard.

⚠ WARNING



Tip Over Hazard

A child or adult can tip the range and be killed.

Install anti-tip bracket to floor or wall per installation instructions.

Slide range back so rear range foot is engaged in the slot of the anti-tip bracket.

Re-engage anti-tip bracket if range is moved.

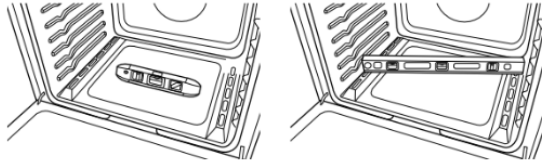
Do not operate range without anti-tip bracket installed and engaged.

Failure to follow these instructions can result in death or serious burns to children and adults.

- Measure the distance from the top of the counter to the floor.
 - Measure the distance from the top of the cooktop to the bottom of the leveling legs. This distance should be the same. If it is not, adjust the leveling legs to the correct height. The leveling legs can be loosened to add up to a maximum of 1" (2.5 cm). A minimum of 3/16" (5 mm) is needed to engage the anti-tip bracket.
- NOTE:** If height adjustment is made when range is standing, tilt the range back to adjust the front legs, and then tilt forward to adjust the rear legs.
- When the range is at the correct height, check that there is adequate clearance under the range for the anti-tip bracket. Before sliding range into its final location, check that the anti-tip bracket will slide under the range and onto the rear leveling leg prior to anti-tip bracket installation.
- NOTE:** If a Trim Kit will be used, the top of the cooktop should be higher than the counter. See the Installation Instructions included with the Trim Kit for the correct height.

Level Range

1. Place level on the oven bottom, as indicated in one of the two figures below, depending on the size of the level. Check with the level side to side and front to back.



2. If range is not level, use a wrench or pliers to adjust leveling legs up or down until the range is level.

NOTE: Range must be level for satisfactory baking performance and best cleaning results using AquaLift® Self-Clean Technology.

Electrical Connection - U.S.A. Only

If your home has a 4-wire direct connection, go to "Install Using Direct Wire".

Install Using Direct Wire

⚠ WARNING



Electrical Shock Hazard

Disconnect power before servicing.

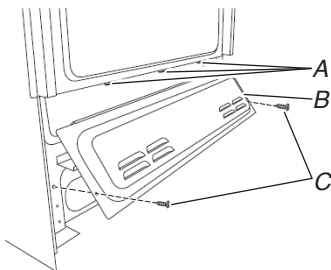
Use 8 gauge copper or 6 gauge aluminum wire.

Electrically ground range.

Failure to follow these instructions can result in death, fire, or electrical shock.

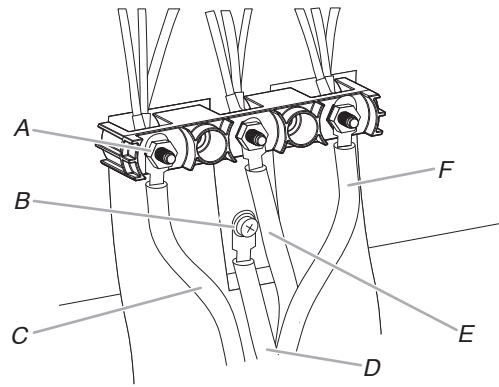
Direct Wire Strain Relief

1. Disconnect power.
2. Remove the lower access cover screws located on the back of the range. Pull the bottom of the cover toward you and out to remove cover from range.



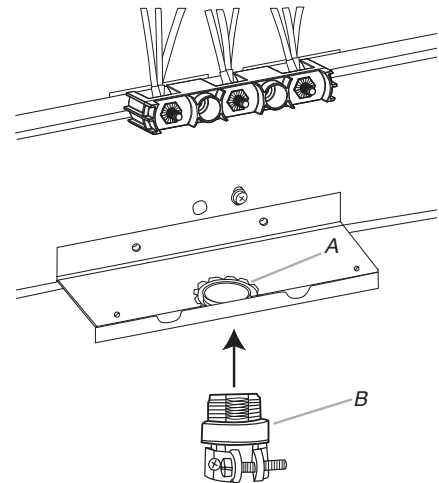
- A. Mounting tabs (3)
- B. Lower access cover
- C. Screws (2)

3. Remove the three 10-32 hex nuts from the terminal posts securing the power cord.



- A. 10-32 hex nut
- B. Ground-wire screw
- C. Line 2 (red)
- D. Green ground wire
- E. Neutral (center) wire
- F. Line 1 (black)

4. Use a Phillips screwdriver to remove the ground-wire screw from the back of the range. Save the ground-wire screw.
5. Remove the power cord from the terminal posts.
6. Use a flat-blade screwdriver or pliers to compress the tabs on the power cord strain-relief and pull the power cord through the opening in the cord/conduit plate.
7. Assemble a UL listed conduit connector in the opening.
 - Remove the knockout as needed for the flexible conduit connection.
 - Assemble a UL listed conduit connector in the opening of the cord/conduit plate.



- A. Removable retaining nut
- B. Conduit

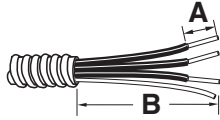
- Tighten strain relief screw against the flexible conduit.



Direct Wire Installation: Copper or Aluminum Wire

This range may be connected directly to the fuse disconnect or circuit breaker box. Depending on your electrical supply, make the required 4-wire connection.

1. Strip outer covering back 3" (7.6 cm) to expose wires. Strip the insulation back 3/8" (1.0 cm) from the end of each wire.

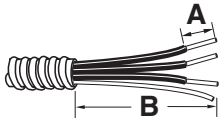


- A. 3/8" (1 cm)
- B. 5" (12 cm)

2. Allow enough slack in the wire to easily attach the wiring terminal block.
3. Complete installation following instructions for a 4-wire electrical connection.

Electrical Connection Options

If your home has:	And you will be connecting to:	Go to Section:
4-wire direct	A circuit breaker box or fused disconnect	4-Wire Connection: Direct Wire

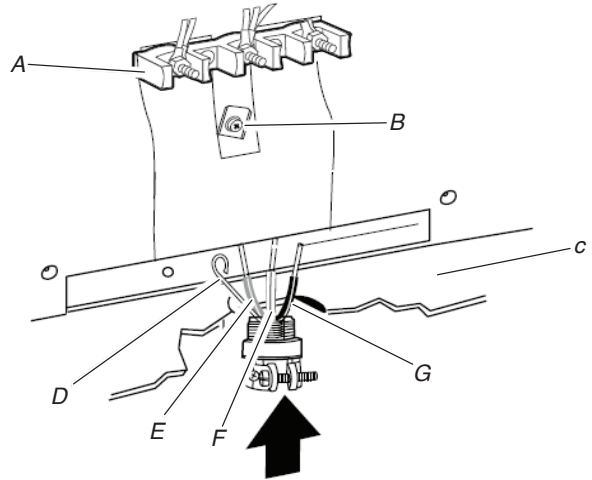


- A. 3/8" (1 cm)
- B. 5" (12 cm)

4-Wire Connection: Direct Wire

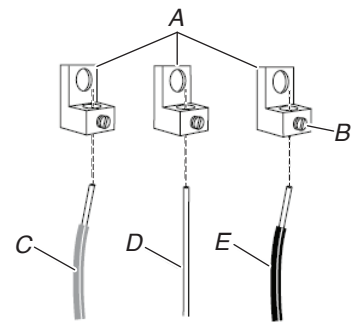
Use this method for:

- New branch-circuit installations (1996 NEC)
 - Mobile homes
 - Recreational vehicles
 - In an area where local codes prohibit grounding through the neutral
1. Pull the wires through the strain relief on bottom of range. Allow enough slack to easily attach wiring to the terminal block.



- A. Terminal block
- B. Ground-wire screw
- C. Cord/conduit
- D. Bare (green) ground wire
- E. Line 2 (red) wire
- F. Neutral (white) wire
- G. Line 1 (black) wire

2. Attach terminal lugs to line 1 (black), neutral (white), and line 2 (red) wires. Loosen (do not remove) the setscrew on the front of the terminal lug and insert exposed wire end through bottom of terminal lugs. Securely tighten setscrew to torque as shown in the following Bare Wire Torque Specifications chart.



- A. Terminal lug
- B. Setscrew
- C. Line 2 (red) wire
- D. Neutral (white) wire
- E. Line 1 (black) wire

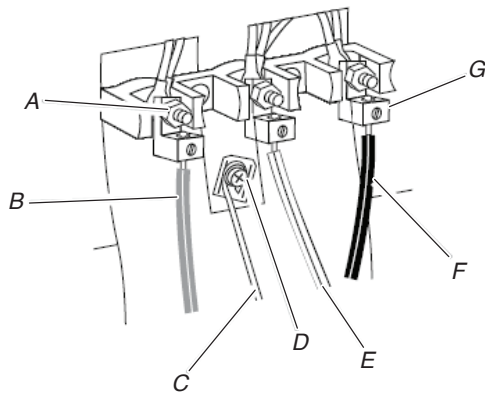
Bare Wire Torque Specifications

Attaching terminal lugs to the terminal block - 20 lbs-in (2.3 N-m).

Wire Awg	Torque
8 gauge copper	25 lbs-in (2.8 N-m)
6 gauge aluminium	35 lbs-in (4.0 N-m)

- Use a hex or Phillips screwdriver to connect the bare (green) ground wire to the range with the ground-wire screw.
- Use 3/8" (1.0 cm) nut driver to connect the neutral (white) wire to the center terminal block post with one of the 10-32 hex nuts.

IMPORTANT: The ground wire must be attached first and must not contact any other terminal.



- | | |
|-----------------------------|-------------------------|
| A. 10-32 hex nut | E. Neutral (white) wire |
| B. Line 2 (red) wire | F. Line 1 (black) wire |
| C. Bare (green) ground wire | G. Terminal lug |
| D. Ground-link screw | |

- Connect line 2 (red) and line 1 (black) wires to the outer terminal block posts with 10-32 hex nuts.
- Using a torque wrench, tighten the hex nuts to a recommended torque of 20 in-lbs (2.3 N-m).
- Firmly tighten hex nuts.
- IMPORTANT:** Verify the tightness of the hex nuts. Ensure all harnesses are tightened to the terminal block and are not loose.
- Replace lower access cover.
- Reconnect power.

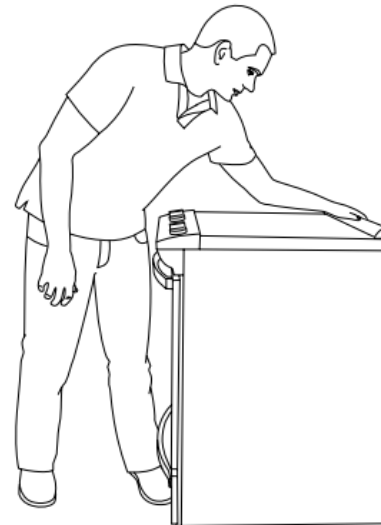
Verify Anti-Tip Bracket Is Installed and Engaged

On Ranges Equipped with a Premium Storage Drawer:

- Slide range into final location, making sure rear leveling leg slides into anti-tip bracket.
- Remove the premium storage drawer. See the "Remove/Replace Drawer" section.
- Use a flashlight to look underneath the bottom of the range.
- Visually check that the rear range foot is inserted into the slot of the anti-tip bracket.

On Ranges Equipped with a Warming Drawer or Baking Drawer:

- Slide range into final location, making sure rear leveling leg slides into anti-tip bracket. Leave a 1" (2.5 cm) gap between the back of the range and the back wall.
- Place the outside of your foot against the bottom front of the warming drawer or baking drawer to keep the range from moving, and then grasp the back of the range as shown.



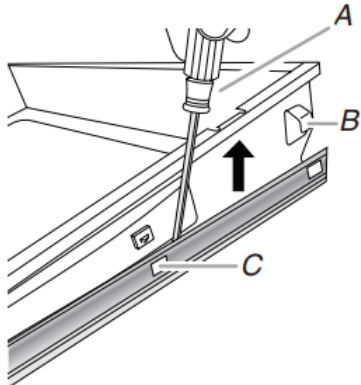
- Slowly attempt to tilt the range forward.
- If you encounter immediate resistance, the range foot is engaged in the anti-tip bracket. Go to Step 8.
- If the rear of the range lifts more than 1/2" (1.3 cm) off the floor without resistance, stop tilting the range and lower it gently back to the floor. The range foot is not engaged in the anti-tip bracket.
- IMPORTANT:** If there is a snapping or popping sound when lifting the range, the range may not be fully engaged in the bracket. Check to see if there are obstructions keeping the range from sliding to the wall or keeping the range foot from sliding into the bracket. Verify that the bracket is held securely in place by the mounting screws.
- Slide the range forward, and verify that the anti-tip bracket is securely attached to the floor or wall.
- Slide range back so the rear range foot is inserted into the slot of the anti-tip bracket.
- Repeat steps 1 and 2 to ensure that the range foot is engaged in the anti-tip bracket.
- If the rear of the range lifts more than 1/2" (1.3 cm) off the floor without resistance, the anti-tip bracket may not be installed correctly. Do not operate the range without anti-tip bracket installed and engaged. Please reference the Quick Start Guide for contact information.
- Move the range into its final location. Check that the range is level by placing a level on the oven bottom. See the "Level Range" section.
- IMPORTANT:** If the range is moved to adjust the leveling legs, verify that the anti-tip bracket is engaged by repeating steps 1 to 8.

Remove/Replace Drawer

Remove all items from inside the baking drawer, warming drawer or premium storage drawer, and then allow the range to cool completely before attempting to remove the drawer.

To Remove:

1. Open the drawer to its fully open position.
2. Using a flat-blade screwdriver, gently loosen the drawer from the glide alignment notch, and then lift up the drawer alignment tab from the glide.

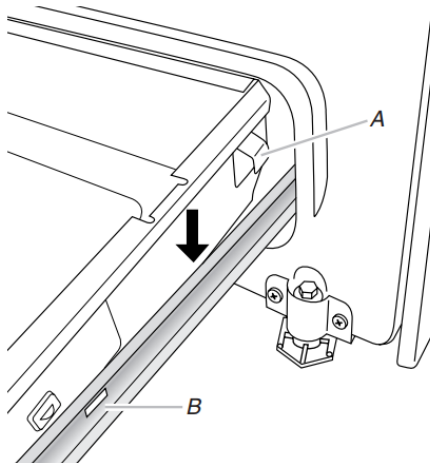


- A. Flat-blade screwdriver
- B. Drawer alignment tab
- C. Drawer glide notch

3. Repeat Step 2 on the other side. The drawer is no longer attached to the drawer glides. Using both hands, pick up the drawer to complete the removal.

To Replace:

1. Align the forward drawer notches with the notches in the drawer glides on both sides. Place the rear alignment tabs into the drawer glides on both sides.



- A. Drawer alignment tab
- B. Drawer glide notch

2. Push the drawer in all the way.
3. Gently open and close the drawer to ensure it is seated properly on the glides on both sides.

Oven Door

For normal range use, it is not suggested to remove the oven door. However, if removal is necessary, make sure the oven is off and cool. Then, follow these instructions. The oven door is heavy.

To Remove:

1. Open oven door all the way.
2. Pinch the hinge latch between two fingers and pull forward. Repeat on other side of oven door.



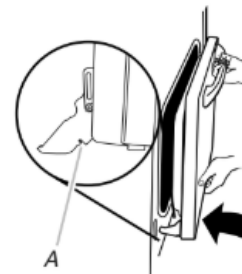
A. Hinge latch

3. Close the oven door as far as it will shut.
4. Lift the oven door while holding both sides. Continue to push the oven door closed and pull it away from the oven door frame.



To Replace:

1. Insert both hanger arms into the door. Be sure that the hinge notches are engaged in the oven door frame.



A. Hinge notch

2. Open the oven door. The door should be able to open all the way.
3. Move the hinge levers back to the locked position. Check that the door is free to open and close and is level while closed. If it is not, repeat the removal and installation procedures.

Complete Installation

1. Check that all parts are now installed. If there is an extra part, go back through the steps to see which step was skipped.
2. Check that you have all of your tools.
3. Check that you have all of the range accessories, especially oven racks. These accessories may be in the range packaging.
4. Dispose of/recycle all packaging materials.
5. Check that the range is level. See the "Level Range" section.
6. Use a mild solution of liquid household cleaner and warm water to remove waxy residue caused by shipping material. Dry thoroughly with a soft cloth. For more information, see the "Range Maintenance and Care" section.
7. Read the Quick Start Guide and online Control Guide.
8. Plug power cord into appropriate outlet. Turn power on.
9. Turn on surface burners and oven. See the Quick Start Guide and online Control Guide for specific instructions on range operation.

NOTE: Odors and smoke are normal when the oven is used the first few times.

If Range Does Not Operate, Check the Following:

- Household fuse is intact and tight; or circuit breaker has not tripped.
- Range is plugged into a grounded outlet.
- Electrical supply is connected.

IMPORTANT: If the range control displays an "F9" or "F9, E0" error code, the electrical outlet in the home may be miswired. Disconnect power and contact a qualified electrician to verify the electrical supply.

10. When the range has been on for 5 minutes, check for heat. If the range is cold, turn off the range and contact a qualified electrician.

If You Need Assistance or Service:

Please reference the Quick Start Guide for contact information.

Moving the Range

⚠ WARNING



Tip Over Hazard

A child or adult can tip the range and be killed.

Install anti-tip bracket to floor or wall per installation instructions.

Slide range back so rear range foot is engaged in the slot of the anti-tip bracket.

Re-engage anti-tip bracket if range is moved.

Do not operate range without anti-tip bracket installed and engaged.

Failure to follow these instructions can result in death or serious burns to children and adults.

When moving range, slide range onto cardboard or hardboard to avoid damaging the floor covering.

If removing the range is necessary for cleaning or maintenance:

For power supply cord-connected ranges:

1. Slide range forward.
2. Unplug the power supply cord.
3. Complete cleaning or maintenance.
4. Plug in power supply cord.
5. Check that the anti-tip bracket is installed and engaged. See the "Verify Anti-Tip Bracket Is Installed and Engaged" section.
6. Check that range is level.

For direct-wired ranges:

⚠ WARNING



Electrical Shock Hazard

Disconnect power before servicing.

Replace all parts and panels before operating.

Failure to do so can result in death or electrical shock.

1. Disconnect power.
2. Slide range forward.
3. Complete cleaning or maintenance.
4. Check that the anti-tip bracket is installed and engaged. See the "Verify Anti-Tip Bracket Is Installed and Engaged" section.
5. Check that range is level.
6. Reconnect power.

SÉCURITÉ DE LA CUISINIÈRE

Votre sécurité et celle des autres sont très importantes.

Nous donnons de nombreux messages de sécurité importants dans ce manuel et sur votre appareil. Assurez-vous de toujours lire tous les messages de sécurité et de vous y conformer.



Voici le symbole d'alerte de sécurité.

Ce symbole d'alerte de sécurité vous signale les dangers potentiels de décès et de blessures graves.

Tous les messages de sécurité suivront le symbole d'alerte de sécurité et le mot « DANGER » ou « AVERTISSEMENT ». Ces mots signifient :

⚠ DANGER

Risque possible de décès ou de blessure grave si vous ne suivez pas immédiatement les instructions.

⚠ AVERTISSEMENT

Risque possible de décès ou de blessure grave si vous ne suivez pas les instructions.

Tous les messages de sécurité vous diront quel est le danger potentiel, comment réduire le risque de blessure et ce qui peut se produire en cas de non-respect des instructions.

La cuisinière ne basculera pas pendant une utilisation normale. Cependant, la cuisinière peut basculer, si vous appliquez trop de force ou de poids à la porte de la cuisinière, sans avoir adéquatement fixé la bride antibasculément.

⚠ AVERTISSEMENT

Risque de basculement

Une personne, enfant ou adulte, peut faire basculer la cuisinière et subir des blessures mortelles.

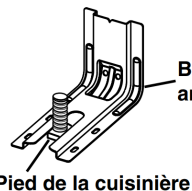
Fixer la bride antibasculément au plancher ou au mur, conformément aux instructions d'installation.

Faire glisser de nouveau la cuisinière de façon à ce que le pied arrière de la cuisinière se trouve dans la fente de la bride antibasculément.

Réengager la bride antibasculément si la cuisinière a été déplacée.

Ne pas faire fonctionner la cuisinière si la bride antibasculément n'est pas installée et engagée.

Le non-respect de ces instructions peut causer un décès ou des brûlures graves aux enfants et aux adultes.



Bride antibasculément

Pied de la cuisinière

Pour vérifier que la bride antibasculément est bien installée et engagée :

- Faire glisser la cuisinière vers l'avant.
- Vérifier que la bride antibasculément est bien fixée au plancher ou au mur.
- Faire glisser de nouveau la cuisinière de façon à ce que le pied arrière de la cuisinière se trouve sous la bride antibasculément.
- Voir les directives d'installation pour obtenir de plus amples renseignements.

IMPORTANTES INSTRUCTIONS DE SÉCURITÉ

AVERTISSEMENT : Afin de réduire le risque d'incendie, de décharge électrique ou de blessures lors de l'utilisation de l'appareil, il convient d'observer certaines précautions fondamentales, notamment :

- **AVERTISSEMENT :** POUR RÉDUIRE LES RISQUES DE BASCULEMENT DE LA CUISINIÈRE, LA CUISINIÈRE DOIT ÊTRE FIXÉE EN INSTALLANT CORRECTEMENT LE DISPOSITIF ANTIBASCULEMENT. POUR VÉRIFIER SI LES APPAREILS SONT BIEN INSTALLÉS, FAIRE GLISSER DE NOUVEAU LA CUISINIÈRE VERS L'AVANT, S'ASSURER QUE LE DISPOSITIF ANTIBASCULEMENT EST BIEN FIXÉ AU MUR OU AU PLANCHER, PUIS FAIRE GLISSER LA CUISINIÈRE VERS L'ARRIÈRE DE FAÇON À CE QUE LE PIED ARRIÈRE DE LA CUISINIÈRE SE TROUVE SOUS LA BRIDE ANTIBASCULEMENT.
- **AVERTISSEMENT :** Risque d'incendie : Ne pas ranger d'objets sur les surfaces de cuisson. Ne jamais rien laisser sur la surface lorsqu'elle est laissée sans surveillance et qu'elle n'est pas utilisée. Ne jamais placer d'objets inflammables ou en plastique sur ou à proximité de la surface.
- **ATTENTION :** Ne pas entreposer de produits d'intérêt pour les enfants dans les armoires au-dessus d'un appareil ou sur le dossier d'un appareil – Les enfants grimper sur l'appareil pour atteindre ces objets pourraient gravement se blesser.
- Installation Conforme – L'appareil, lors de son installation, doit être correctement relié à la terre en conformité avec les codes locaux en vigueur, ou en l'absence de tels codes, avec le *National Electrical Code*, *ANSI/NFPA 70* ou le Code canadien des installations électriques, *CSA C22.1-02*. Au Canada, l'appareil doit être relié à la terre en respectant le Code Canadien de l'Électricité. S'assurer que l'appareil est bien installé et que la mise à la terre est réalisée par un technicien qualifié.
- NE JAMAIS utiliser l'Appareil pour chauffer ou réchauffer la pièce.
- Ne pas laisser les enfants seuls – Les enfants ne doivent pas être laissés seuls ou sans surveillance dans la zone où l'appareil est utilisé. Ils ne doivent jamais être autorisés à s'asseoir ou à se tenir debout sur une partie quelconque de l'appareil.
- Porter des vêtements adaptés – Les vêtements pendants ou non ajustés ne doivent jamais être portés lorsqu'on utilise l'appareil.
- Entretien par l'utilisateur – Ne pas réparer ou remplacer une quelconque pièce de l'appareil sans recommandation spécifique du manuel. Toutes les autres tâches d'entretien doivent être effectuées par un technicien qualifié.
- Entreposage dans ou sur l'appareil – Les matières inflammables ne doivent pas être entreposées dans un four ou près de la surface de la table.
- Cet appareil n'est pas conçu pour servir d'espace de rangement.
- Ne pas utiliser d'eau sur les feux de friture – Étouffer le feu ou la flamme ou utiliser un extincteur avec agent chimique sec ou moussoux.
- Ne pas utiliser de pièces de remplacement qui n'ont pas été recommandées par le fabricant (c.-à-d., pièces fabriquées à la maison à l'aide d'une imprimante 3D).
- Utiliser uniquement des mitaines sèches – Les mitaines humides ou trempées sur les surfaces chaudes peuvent provoquer des brûlures dues à la vapeur. Ne pas laisser les mitaines toucher des éléments chauffants et chauds. Ne pas utiliser un chiffon ou tout autre tissu encombrant.
- NE PAS TOUCHER LES UNITÉS DE SURFACE OU LES ZONES PRÈS DES UNITÉS DE SURFACE – Les unités de surface peuvent être chaudes même si elles sont de couleur foncée. Les zones près des unités de surface peuvent être suffisamment chaudes pour provoquer des brûlures. Pendant et après l'utilisation, ne pas toucher ou laisser des vêtements ou d'autres matériaux inflammables en contact avec les unités de surface ou les zones près des unités de surface tant qu'elles n'ont pas suffisamment refroidi. Parmi ces zones, on compte les éléments, la table de cuisson et les zones face à la table de cuisson.
- Utiliser des ustensiles de taille appropriée – Cet appareil est équipé d'une ou plusieurs unités de surface de différentes tailles. Choisir des ustensiles ayant des fonds plats suffisamment grands pour couvrir l'élément chauffant de surface. L'utilisation d'ustensiles sous-dimensionnés exposera une partie de l'élément chauffant à un contact direct et peut entraîner l'inflammation des vêtements. Un bon contact entre l'ustensile et le brûleur améliorera l'efficacité de la table.
- Ne jamais laisser les surfaces de cuisson sans surveillance à des réglages de chaleur élevée – Les ébullitions provoquent de la fumée et des éclaboussures graisseuses qui peuvent s'enflammer.
- S'assurer que les réflecteurs ou cuvettes ramasse-gouttes sont en place – L'absence de ces éléments pendant la cuisson peut endommager les conducteurs et composants se trouvant en dessous.
- Revêtements de protection – Ne pas utiliser de papier aluminium pour recouvrir la surface des cuvettes ramasse-gouttes ou le fond du four, sauf si le manuel le suggère. Une mauvaise installation de ces protecteurs peut entraîner un risque de décharge électrique ou d'incendie.
- Ustensiles de cuisson émaillés – seuls certains types d'ustensiles en verre, vitrocéramique, céramique, terre cuite ou autre émailage peuvent être utilisés sur la surface de la cuisinière sans briser en raison du changement de température soudain.
- Les poignées des ustensiles doivent être tournées vers l'intérieur et ne doivent pas dépasser au-dessus des unités de surface de cuisson – Pour éviter le risque de brûlures, d'inflammation des matières inflammables et d'éclaboussures dues à un contact non intentionnel avec l'ustensile, la poignée d'un ustensile doit toujours être positionnée vers l'intérieur et ne doit pas dépasser au-dessus des surfaces de cuisson adjacentes.
- Ne pas tremper les éléments chauffants – Les éléments chauffants ne devraient jamais être immergés.
- Ne pas cuire sur une table de cuisson brisée – Si la table de cuisson est cassée, les agents de nettoyage et les éclaboussures peuvent pénétrer dans la table de cuisson brisée et créer un risque de décharge électrique. Contacter un électricien qualifié immédiatement dans ce cas.

CONSERVER CES INSTRUCTIONS

INSTRUCTIONS IMPORTANTES DE SÉCURITÉ

- Nettoyer la table de cuisson avec précaution – Si une éponge ou un linge humide est utilisé pour nettoyer les éclaboussures sur une zone de cuisson chaude, faire attention aux brûlures dues à la vapeur. Certains nettoyants peuvent produire des fumées toxiques si appliqués sur une surface chaude.
 - Ouvrir la porte lentement – Laisser la chaleur ou la vapeur s'échapper avant de retirer ou de remettre en place un plat.
 - Ne pas faire chauffer un contenant qui n'a pas été ouvert – L'accumulation de pression pourrait faire éclater le contenant et causer des blessures.
 - Garder dégagés les conduits de ventilation du four.
 - Position des grilles du four – toujours placer les grilles à la position souhaitée lorsque le four est froid. Si une grille doit être déplacée pendant que le four est chaud, ne pas laisser la poignée entrer en contact avec l'élément chaud du four.
 - **NE PAS TOUCHER LES ÉLÉMENTS CHAUFFANTS OU LES SURFACES INTÉRIEURES DU FOUR** – Les éléments chauffants peuvent être chauds même s'ils sont de couleur foncée. Les surfaces intérieures du four peuvent être suffisamment chaudes pour provoquer des brûlures. Pendant et après l'utilisation, ne pas toucher ou laisser des vêtements ou d'autres matériaux inflammables en contact avec les éléments chauffants ou les surfaces intérieures tant qu'ils n'ont pas suffisamment refroidi. Les autres surfaces de l'appareil peuvent devenir suffisamment chaudes pour causer des brûlures – les ouvertures de ventilation et les surfaces autour de ces ouvertures, les portes du four et les hublots de portes font partie de ces surfaces.
 - Il faut faire attention de ne pas laisser le papier aluminium et la sonde de cuisson entrer en contact avec les éléments chauffants.
- Pour les cuisinières autonettoyantes –**
- **AVERTISSEMENT : NE PAS LAISSER D'ALIMENTS OU D'USTENSILES DE CUISSON, ETC., DANS LE FOUR PENDANT LE FONCTIONNEMENT DU MODE D'AUTONETTOYAGE PYROLYTIC.**
 - Ne pas nettoyer le joint de la porte – Le joint de la porte est essentiel pour une bonne étanchéité. Faire attention à ne pas frotter, endommager ou déplacer le joint.
 - Ne pas utiliser de nettoyants à four – Aucun nettoyant commercial ou revêtement de protection pour four d'aucune sorte ne devrait être utilisé dans le four ou près de ses parties.
 - Ne nettoyer que les pièces indiquées dans le manuel.
 - Avant de mettre en marche l'autonettoyage – Enlever la lèchefrite et les autres ustensiles.
- Pour les appareils avec hotte de ventilation –**
- Nettoyer régulièrement les hottes de ventilation – Ne pas laisser la graisse s'accumuler dans la hotte ou le filtre.
 - Lorsque des aliments sont flambés sous la hotte, mettre le ventilateur en marche.
- Pour les cuisinières et fours intelligents**
- Utilisation à distance – cet appareil peut être configuré pour permettre l'utilisation à distance en tout temps. Ne pas ranger de matériaux inflammables ou sensibles à la température sur le dessus ou près de la surface de l'appareil.

CONSERVER CES INSTRUCTIONS

ENTRETIEN ET RÉPARATION DE LA CUISINIÈRE

Nettoyage général

IMPORTANT : Avant le nettoyage, s'assurer que toutes les commandes sont éteintes et que le four et la table de cuisson sont froids. Toujours suivre les instructions figurant sur les étiquettes des produits de nettoyage.

L'usage de savon, d'eau et d'un chiffon doux ou d'une éponge est suggéré en priorité, sauf indication contraire.

SURFACES EN ÉMAIL VITRIFIÉ UNIQUEMENT (sur certains modèles)

Les éclaboussures alimentaires acides, telles que vinaigre et tomate, doivent être nettoyées dès que la cuisinière a refroidi. Ces salissures peuvent endommager le fini.

Méthode de nettoyage :

- Nettoyant à vitre, nettoyant doux liquide ou tampon à récurer non abrasif : Nettoyer délicatement autour de la plaque signalétique, car le frottement pourrait en effacer les chiffres.
- Affresh®+ nettoyant pour cuisine et appareils ménagers –réf. W10355010 (non fourni) : Consulter le Guide de démarrage rapide pour obtenir les coordonnées.

ACIER INOXYDABLE (sur certains modèles)

REMARQUE : Afin d'éviter d'endommager les surfaces en acier inoxydable, ne pas utiliser de tampons à récurer savonneux, de nettoyants abrasifs, de tampons en laine d'acier, de chiffons de lavage rêches ou d'essuie-tout abrasifs. Ils peuvent endommager les surfaces en acier inoxydable, même après une seule application ou quelques-unes.

Méthode de nettoyage :

Frotter dans la direction du grain pour éviter les dommages.

- Nettoyant affresh® pour acier inoxydable – numéro de pièce W10355016 (vendu séparément) : Consulter le Guide de démarrage rapide pour obtenir les coordonnées.

PEINTURE MÉTALLIQUE (sur certains modèles)

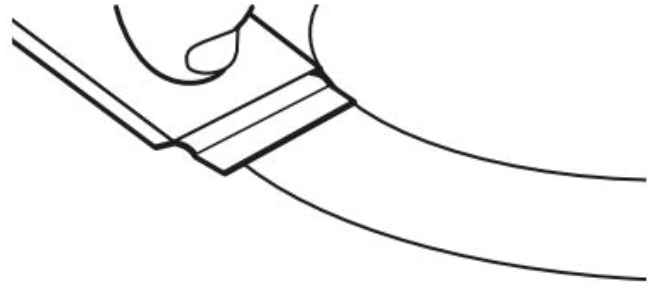
Ne pas utiliser de nettoyants abrasifs, de nettoyants avec agent de blanchiment, de produits antirouille, d'ammoniaque ou d'hydroxyde de sodium (soude), car la surface peinte pourrait se tacher.

NETTOYAGE DE LA TABLE DE CUISSON EN VITROCÉRAMIQUE

Méthode de nettoyage :

Afin d'éviter d'endommager la table de cuisson, ne pas utiliser de laine d'acier, de nettoyants en poudre abrasifs, d'eau de Javel, de produit antirouille ou d'ammoniaque.

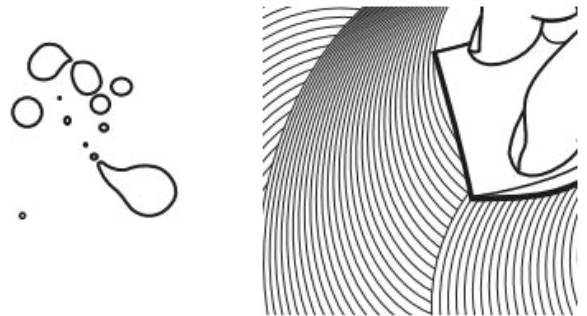
1. Éliminer les salissures alimentaires avec le grattoir pour table de cuisson.



- Pour faciliter le nettoyage, utiliser le grattoir pendant que la table de cuisson est encore tiède, mais non brûlante au toucher. Il est recommandé de porter des mitaines de four pour gratter la table de cuisson tiède.
- Tenir le grattoir pour table de cuisson à un angle d'environ 45° par rapport à la surface de verre et gratter les salissures. Il convient d'appuyer fermement pour éliminer les salissures.

Laisser la table de cuisson refroidir complètement avant de passer à l'étape 2.

2. Appliquer quelques gouttes de nettoyant pour table de cuisson sur les zones concernées.



- Frotter le nettoyant affresh® sur la surface de la table de cuisson avec le tampon bleu à nettoyer les tables de cuisson. Il convient d'appuyer fermement pour éliminer les taches rebelles.
- Laisser le produit nettoyant sécher en une pellicule blanchâtre avant de passer à l'étape 3.

† Affresh® est une marque déposée de Whirlpool, É-U.

3. Faire briller avec un chiffon ou un essuie-tout propre et sec.



- Répéter au besoin les étapes 1 à 3 pour les taches les plus tenaces ou incrustées.

Le nécessaire complet de nettoyage pour tables de cuisson est offert sur commande. Il contient :

- Grattoir pour table de cuisson
- Nettoyant pour table de cuisson affresh®
- Tampons bleus pour nettoyer les tables de cuisson

Consulter le Guide de démarrage rapide pour les informations de commande.

COMMANDES DE LA TABLE DE CUISSON

Afin d'éviter d'endommager les commandes de la table de cuisson, ne pas utiliser de laine d'acier, de nettoyants abrasifs ou de nettoyant pour four.

Afin d'éviter toute détérioration, ne pas laisser tremper les boutons de commande. Lors de la réinstallation des boutons, s'assurer que chaque bouton est à la position OFF (arrêt).

Sur certains modèles, ne pas enlever les joints sous les boutons.

Méthode de nettoyage :

- Savon et eau : Tirer les boutons directement hors du tableau de commande pour les enlever.

TABLEAU DE COMMANDE ET EXTÉRIEUR DE LA PORTE DU FOUR

Afin d'éviter d'endommager le tableau de commande, ne pas utiliser de nettoyants abrasifs, de tampons en laine d'acier, de chiffons de lavage rêches ou d'essuie-tout abrasifs.

Méthode de nettoyage :

- Nettoyant à vitre et chiffon doux ou éponge : Appliquer le nettoyant à vitre sur un chiffon doux ou une éponge et non directement sur le tableau.
- Nettoyant® affresh pour cuisine et appareils ménagers – numéro de pièce W10355010 (vendu séparément) :

Consulter le Guide de démarrage rapide pour obtenir les coordonnées.

GRILLES DU FOUR

Méthode de nettoyage :

- Tampon en laine d'acier
- Pour les grilles ternies qui glissent difficilement, enduire légèrement les glissières d'huile végétale; cela facilitera leur glissement.
- Lave-vaisselle (réservoir d'eau de la grille d'étuvage uniquement; la grille d'étuvage n'est pas lavable au lave-vaisselle) : Bien que le réservoir soit durable, il perdra progressivement de son lustre et/ou se décolorera lorsqu'on le lave au lave-vaisselle.

TIROIR DE REMISAGE OU TIROIR-RÉCHAUD (sur certains modèles)

S'assurer que le tiroir de remisage ou le tiroir-réchaud est froid et vide avant le nettoyage.

Méthode de nettoyage :

- Détergent doux

TIROIR DE CUISSON (sur certains modèles)

S'assurer que le tiroir de cuisson est froid et vide avant le nettoyage.

Les éclaboussures alimentaires doivent être nettoyées lorsque le four a refroidi. À des températures élevées, les aliments réagissent avec la porcelaine. Cette réaction peut causer des taches, des attaques, des piqûres ou de légères taches blanches.

Méthode de nettoyage :

- Détergent doux

CAVITÉ DU FOUR

Selon votre modèle, utiliser régulièrement la technologie AquaLift® ou le programme d'autonettoyage pour nettoyer les renversements dans le four.

Ne pas utiliser de nettoyants à four.

Les éclaboussures alimentaires doivent être nettoyées lorsque le four a refroidi. À des températures élevées, les aliments réagissent avec la porcelaine. Cette réaction peut causer des taches, des attaques, des piqûres ou de légères taches blanches.

Méthode de nettoyage :

- Programme de nettoyage : Voir la section « Programme de nettoyage » d'abord.

Programme de Nettoyage

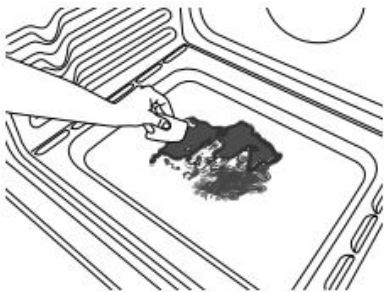


La Technologie AquaLift® est une formule de nettoyage innovante qui utilise l'eau et la chaleur pour désincruster les traces de renversements du four en moins d'une heure. Cette nouvelle technologie de nettoyage à faible niveau de chaleur représente une alternative inodore aux options traditionnelles d'autonettoyage.

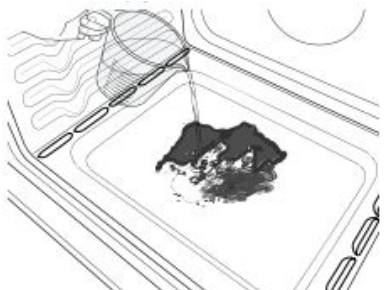
Laisser la cuisinière refroidir et atteindre la température ambiante avant d'utiliser le Programme de Nettoyage. Si la température de la cavité du four est supérieure à 200 °F (93 °C), elle apparaît sur l'affichage et le Programme de Nettoyage à la vapeur ne s'active pas avant que la cavité ait refroidi.

Nettoyage :

1. Retirer tous les accessoires et grilles de la cavité du four. Essuyer les saletés. Utiliser un grattoir en plastique pour enlever les saletés faciles à enlever.

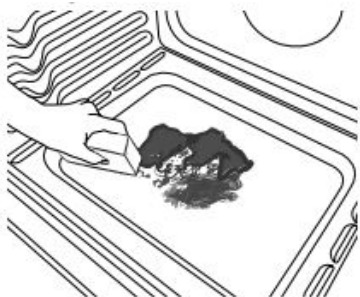


2. Verser 2 tasses (16 oz [500 mL]) d'eau distillée ou filtrée dans le fond du four vide et fermer la porte du four.



IMPORTANT : Ne pas utiliser de produits chimiques ou d'autres additifs avec l'eau. Ne pas ouvrir la porte du four durant le Programme de Nettoyage. L'eau au fond du four est chaude.

3. Appuyer sur CLEAN ou AQUALIFT SELF-CLEAN (NETTOYAGE ou AUTONETTOYAGE AQUALIFT) puis sur START (MISE EN MARCHÉ) au tableau de commande du four.
4. Prévoir 40 minutes pour le nettoyage et le refroidissement du four. Un bip retentit lorsque le Programme de Nettoyage est terminé.
5. Appuyer sur CANCEL, CANCEL UPPER ou OFF (ANNULATION, ANNULATION DU FOUR SUPÉRIEUR ou ARRÊT) à la fin du programme. On peut appuyer sur Cancel, Cancel Upper ou Off (Annulation, Annulation Four Supérieur ou Arrêt) à tout moment pour arrêter le Programme de Nettoyage.
6. Retirer l'excédent d'eau et les saletés désincrustées avec une éponge ou un linge une fois le Programme de Nettoyage terminé. La plus grande partie de l'eau initiale contenue dans 2 tasses (16 oz [500 mL]) d'eau restera dans le four après la fin du Programme de Nettoyage. S'il reste encore des saletés, laisser une petite quantité d'eau dans le fond du four pour faciliter le nettoyage.



7. Utiliser une éponge douce ou un grattoir en plastique pour éliminer les saletés qui restent. On peut faire fonctionner d'autres Programmes de Nettoyage pour favoriser l'élimination des saletés tenaces.

IMPORTANT : Ne pas utiliser de nettoyants à four. L'utilisation de produits chimiques, y compris de nettoyants commerciaux pour four ou de tampons à récurer métalliques, peut endommager définitivement la surface en émail de l'intérieur du four.

REMARQUES :

- La cuisinière doit être d'aplomb afin que toute la surface du fond de la cavité du four soit recouverte par l'eau au début du Programme de Nettoyage.
- Pour de meilleurs résultats, utiliser de l'eau distillée ou filtrée. Une eau du robinet pourrait laisser des dépôts minéraux sur le fond du four.
- Avant d'éliminer l'excédent d'eau et les saletés désincrustées à la fin du Programme de Nettoyage, insérer un chiffon ou un essuie-tout entre le bord inférieur de la porte du four et le châssis avant pour empêcher l'eau de couler sur l'avant de la cuisinière et sur le plancher.
- De la saleté qui aura adhéré pendant plusieurs programmes de cuisson sera plus difficile à éliminer avec le Programme de Nettoyage.
- Une éponge douce ou un tampon à récurer de type doux (sans nettoyant) peut être efficace pour le nettoyage des parois de la cavité du four de la porte et du fond du four lorsque les saletés sont difficiles à nettoyer. Pour des résultats optimaux, humidifier le tampon ou l'éponge avant utilisation.
- Faire fonctionner un Programme de Nettoyage supplémentaire pour les saletés tenaces.
- Un Nettoyant pour Appareils Ménagers de Cuisine affresh® et un Nettoyant pour Table de Cuisson affresh® peuvent être utilisés pour nettoyer le fond du four, ses parois et sa porte lorsque le four a terminé le Programme de Nettoyage et que sa température est redevenue ambiante. Si l'on utilise le Nettoyant pour Table De Cuisson affresh®, il est recommandé d'essuyer aussi la cavité avec de l'eau distillée. Consulter le Guide de Démarrage Rapide pour les informations de commande.
- On peut obtenir des Ensembles de Nettoyage à Technologie AquaLift® supplémentaires en commandant la Pièce Numéro W10423113RP. Consulter le Guide de Démarrage Rapide pour les informations de commande.
- Pour de l'aide sur la Technologie AquaLift®, composer le **1 877 258-0808** aux É.-U. ou **1 800 807-6777** au Canada, ou visiter notre site Internet au <http://whirlpoolcorp.com/aqualift>.

INSTRUCTIONS D'INSTALLATION

SPÉCIFICATIONS

Outils et pièces

Rassembler les outils et pièces nécessaires avant d'entreprendre l'installation. Lire et observer les instructions fournies avec chacun des outils de la liste ci-dessous.

Outils nécessaires

- Ruban à mesurer
- Tournevis à tête plate
- Tournevis à tête cruciforme
- Niveau
- Marteau
- Perceuse manuelle ou électrique
- Clé ou pince
- Marqueur ou crayon
- Lampe de poche
- Clé dynamométrique
- Ruban adhésif de masquage
- Clé à cliquet de 1/4 po (6,4 mm)
- Tourne-écrou de 1/4 po (6,4 mm)
- Tourne-écrou de 3/8 po (9,5 mm) et 5/16 po (8 mm)
- Foret de 1/8 po (3,2 mm) (pour planchers en bois)
- Cisaille de ferblantier ou coupe-fils de gros diamètre (pour couper la tresse de mise à la terre, le cas échéant)

Pièces fournies

Vérifier que toutes les pièces sont présentes.

- 3 écrous hexagonaux 10-32 (fixés au bornier)
- 3 cosses pour câblage direct
- 2 vis no 10 x 1 5/8 po (4,1 cm) (pour le montage de la bride antibasculement)
- Bride antibasculement (à l'intérieur de la cavité du four)

La bride antibasculement doit être solidement fixée à la cloison arrière ou au plancher. La profondeur du plancher peut nécessiter des vis plus longues pour l'ancrage de la bride dans le sous-plancher. Des vis plus longues sont offertes chez votre quincaillerie locale.

Pièces nécessaires

En cas d'utilisation d'un cordon d'alimentation électrique :

- Cordon d'alimentation (homologation UL) conçu pour l'utilisation avec une cuisinière. Le cordon devrait avoir une capacité nominale minimum de 250 V à 40 A ou 50 A, être compatible avec une ouverture d'un diamètre nominal de 1 3/8 po (3,5 cm) pour le raccordement et doit posséder des cosses à anneau ou des cosses ouvertes avec bouts dégagés.
- Un serre-câbles (homologation UL).

Consulter les codes locaux. Vérifier l'alimentation électrique existante. Voir la section « Spécifications électriques » correspondante.

Il est recommandé de faire réaliser tous les raccordements électriques par un électricien qualifié agréé.

REMARQUE : S'assurer d'acheter uniquement des pièces et des accessoires Whirlpool certifiés par le fabricant de l'appareil. Il se peut que l'installation nécessite des pièces supplémentaires. Pour commander, consulter les coordonnées indiquées dans le guide de démarrage rapide.

Pièces facultatives

Pour acheter les ensembles de garnitures latérales, les ensembles de dosseret ou tout autre accessoire, consulter le Guide de démarrage rapide pour les informations de commande.

REMARQUE : S'assurer d'acheter uniquement des pièces et des accessoires Whirlpool certifiés par le fabricant de l'appareil. Il se peut que l'installation nécessite des pièces supplémentaires. Pour commander, consulter les coordonnées indiquées dans le guide de démarrage rapide.

Exigences d'emplacement

IMPORTANT : Observer les dispositions de tous les codes et règlements en vigueur.

- C'est à l'installateur qu'incombe la responsabilité de respecter les distances de séparation spécifiées sur la plaque signalétique. La plaque signalétique se trouve derrière la porte du four, dans le coin supérieur droit du châssis.
- Pour éliminer les risques de brûlure ou d'incendie en se penchant au-dessus d'une surface qui chauffe, il est déconseillé d'utiliser l'espace de rangement des armoires situées au-dessus de l'appareil. Si des armoires de rangement sont prévues, le risque peut être réduit par l'installation d'une hotte de cuisinière ou d'un ensemble hotte/micro-ondes dépassant horizontalement de 5 po (12,7 cm) au moins par rapport au bas des armoires.
- La cuisinière doit être installée à un endroit pratique dans la cuisine.
- Dans le cas d'une cuisinière encastrée, l'enceinte doit recouvrir complètement les côtés et l'arrière de la cuisinière.
- Toutes les ouvertures dans le mur ou le plancher de l'emplacement d'installation de la cuisinière doivent être scellées.
- Respecter les dimensions indiquées pour les ouvertures à découper dans les armoires. Ces dimensions constituent les valeurs minimales des dégagements.
- La bride antibasculement doit être installée. Pour l'installation de la bride antibasculement fournie avec la cuisinière, voir la section « Installation de la bride antibasculement ».
- Une source d'électricité avec liaison à la terre est nécessaire. Consulter la section « Exigences électriques » appropriée.
- Contacter un installateur de revêtement de sol qualifié, qui pourra déterminer si le revêtement de sol peut résister à une température d'au moins 200 °F (93 °C).
- Dans le cas de l'installation de la cuisinière sur une moquette, placer sous la cuisinière un tapis isolant ou une plaque de contreplaqué de 1/4 po (6,4 mm).

IMPORTANT : Pour éviter d'endommager les armoires, consulter le constructeur de la maison ou le fabricant des armoires pour déterminer si les matériaux utilisés peuvent subir un changement de couleur, une déstratification ou d'autres dommages. Ce four a été conçu conformément aux exigences des normes UL et CSA International et respecte les températures maximales permises de 194 °F (90 °C) pour les armoires en bois.

Résidence mobile – Spécifications additionnelles à respecter lors de l'installation

L'installation de cette cuisinière doit être conforme aux dispositions de la norme Manufactured Home Construction and Safety Standard, Title 24 CFR, Part 3280 (anciennement Federal Standard for Mobile Home Construction and Safety, Title 24, HUD Part 280). Lorsque cette norme n'est pas applicable, l'installation doit satisfaire aux critères de la norme Standard for Manufactured Home Installations, ANSI A225.1/NFPA 501A ou aux dispositions des codes locaux.

Au Canada, l'installation de cette cuisinière doit satisfaire aux stipulations de la version la plus récente de la norme CAN/CSA-Z240.1, ou des codes locaux en vigueur.

Autres critères à respecter pour une installation en résidence mobile :

- Dans le cas de l'installation de cette cuisinière dans une résidence mobile, la cuisinière doit être fixée au plancher durant tout déplacement du véhicule. Toute méthode pour fixer de façon sécuritaire la cuisinière est adéquate dès qu'elle respecte les normes mentionnées plus haut.
- Un cordon ou un câble d'alimentation à 4 fils doit être utilisé lors d'une installation dans une maison mobile.

Dimensions de l'armoire

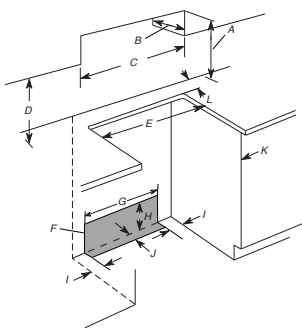
Les dimensions de l'espace entre les armoires correspondent à une installation entre des armoires de 24 po (61,0 cm) de profondeur, avec comptoir de 25 po (64,0 cm) de profondeur et de 36 po (91,4 cm) de hauteur.

IMPORTANT : En cas d'installation d'une hotte ou d'un ensemble hotte/micro-ondes au-dessus de la cuisinière, suivre les instructions fournies avec la hotte ou l'ensemble hotte/micro-ondes concernant les dimensions de dégagement à respecter au-dessus de la surface de la table de cuisson.

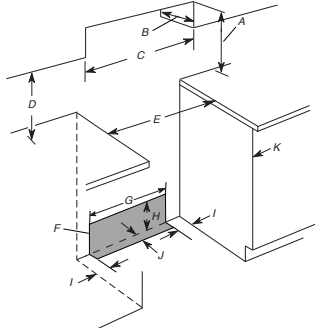
La cuisinière peut être installée sans dégagement près de murs fabriqués de matières combustibles.

REMARQUE : Lorsqu'une cuisinière encastrée est glissée dans une ouverture prévue à cet effet, l'avant de la porte du four peut dépasser de l'armoire.

Découpe pour cuisinière encastrée



Découpe pour cuisinière autoportante



- | | |
|--|--|
| <p>A. Pour le dégagement minimum vers la partie supérieure de la table de cuisson, voir la REMARQUE*</p> <p>B. 13 po (33 cm) maximum de profondeur de l'armoire supérieure</p> <p>C. 30 po (76,2 cm) minimum de largeur d'ouverture</p> <p>D. 18 po (45,7 cm) entre l'armoire latérale supérieure et le comptoir</p> <p>E. 30 po (76,2 cm) minimum de largeur d'ouverture</p> <p>F. Il est recommandé d'effectuer l'installation de la prise de courant électrique dans cette zone grisée.</p> <p>G. 13 1/8 po (33,3 cm)</p> <p>H. 7 11/16 po (19,5 cm)</p> <p>I. 4 13/16 po (12,2 cm)</p> <p>J. 3 11/16 po (9,4 cm) plus la mesure L</p> <p>K. La porte ou les charnières de l'armoire ne doivent pas dépasser à l'intérieur de l'ouverture.</p> <p>L. La profondeur restante du comptoir ne doit pas dépasser 2 1/4 po (5,7 cm).</p> | <p>A. Pour le dégagement minimum vers la partie supérieure de la table de cuisson, voir la REMARQUE*</p> <p>B. 13 po (33 cm) maximum de profondeur pour l'armoire supérieure</p> <p>C. 30 po (76,2 cm) minimum de largeur d'ouverture</p> <p>D. 18 po (45,7 cm) entre l'armoire latérale supérieure et le comptoir</p> <p>E. 30 po (76,2 cm) minimum de largeur d'ouverture</p> <p>F. Il est recommandé d'effectuer l'installation de la prise de courant électrique dans cette zone grisée.</p> <p>G. 13 1/8 po (33,3 cm)</p> <p>H. 7 11/16 po (19,5 cm)</p> <p>I. 4 13/16 po (12,2 cm)</p> <p>J. 3 11/16 po (9,4 cm)</p> <p>K. La porte ou les charnières de l'armoire ne doivent pas dépasser à l'intérieur de l'ouverture.</p> |
|--|--|

***REMARQUE :** Distance de séparation de 24 po (61,0 cm) ou plus lorsque le fond d'une armoire de bois ou de métal est protégé d'une planche ignifugée d'au moins 1/4 po (0,64 cm) recouverte d'une feuille métallique d'épaisseur égale ou supérieure à : acier calibre 28 MSG, acier inoxydable 0,015 po (0,4 mm), aluminium 0,024 po (0,6 mm) ou cuivre 0,020 po (0,5 mm).

Distance de séparation minimale de 30 po (76,2 cm) ou plus entre le dessus de la table de cuisson et le fond d'une armoire de bois ou de métal non protégée.

Spécifications Électriques – É.-U. seulement

⚠ AVERTISSEMENT



Risque de décharge électrique

Appareil relié à la terre.

Le non-respect de ces instructions peut causer un décès, un incendie ou une décharge électrique.

Si les codes le permettent et qu'un fil de mise à la terre séparé est utilisé, nous recommandons qu'un électricien qualifié détermine si le trajet du fil et son calibre respectent les codes locaux.

Ne pas utiliser de rallonge.

S'assurer que le raccordement électrique est adéquat et conforme au Code National de l'Électricité, ANSI/NFPA 70 – dernière édition, et à tous les codes et règlements locaux en vigueur.

Pour obtenir un exemplaire des normes des codes ci-dessus, contacter :

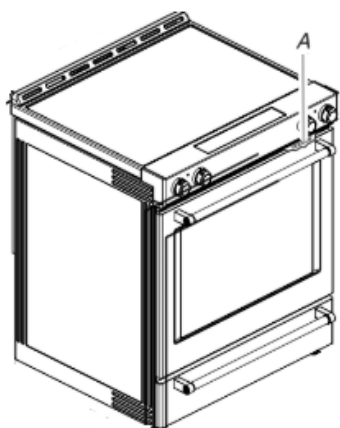
National Fire Protection Association
1 Batterymarch Park
Quincy, MA 02169-7471

AVERTISSEMENT : Un raccordement inapproprié du conducteur de mise à la terre de l'équipement peut causer un risque de décharge électrique. Vérifier avec un électricien ou un technicien de dépannage qualifié en cas de doute quant à la qualité de la liaison à la terre de l'appareil. Ne pas modifier la prise du cordon d'alimentation. Si elle ne correspond pas à la prise de sortie, faire installer une fiche appropriée par un électricien qualifié.

Raccordement Électrique

Pour installer la cuisinière de façon appropriée, il faut établir le type de raccords électriques qui sera utilisé et suivre les instructions de ce document.

- La cuisinière doit être alimentée par une source d'électricité et une tension appropriées, comme spécifié sur la plaque signalétique. La plaque signalétique se trouve derrière la porte du four, dans le coin supérieur droit du châssis.



A. Plaque signalétique (située derrière la porte du four, dans le coin supérieur droit du châssis)

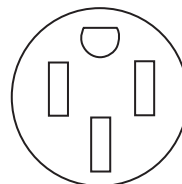
Puissance Nominale de la Cuisinière*		Intensité Nominale Spécifiée du Cordon d'Alimentation et de la Protection du Circuit
120/240 V	120/208 V	Courant
8,8–16,5 kW	7,8–12,5 kW	40 ou 50**
16,6–22,5 kW	12,6–18,5 kW	50

*La charge NEC calculée est inférieure à la charge totale connectée indiquée sur la plaque signalétique.

** Si l'appareil est branché à un circuit de 50 A, utiliser un cordon de 50 A avec la trousse. Pour les ensembles avec cordon de 50 A nominal, utiliser des trousse conçues pour être utilisées avec une ouverture de raccord d'un diamètre nominal de 1 3/8 po (3,5 cm).

- L'emploi d'un disjoncteur est recommandé.
- La cuisinière peut être raccordée directement au disjoncteur (ou coupe-circuit avec fusible) par l'intermédiaire d'un câble à conducteurs de cuivre ou d'aluminium, à blindage métallique flexible ou à gaine non métallique. Voir la section « Raccordement Électrique – É.-U. Seulement ».
- Prévoir 6 po (1,8 m) de mou pour le câble afin de pouvoir déplacer la cuisinière en cas de réparation.
- Un raccord de conduit homologué UL doit être fourni à chaque extrémité du câble d'alimentation électrique (à la cuisinière et à la boîte de connexion).
- Le calibre des câbles et des raccordements doit être conforme à la puissance nominale de la cuisinière.
- La fiche technique est accessible en ligne.

- Cette cuisinière est équipée d'un Cordon Électrique Homologué par la CSA International à brancher dans une prise murale standard 14-50R. Veiller à ce que la prise murale se trouve à proximité de l'emplacement définitif de la cuisinière.



- Ne pas utiliser de rallonge.

Spécifications électriques – Canada seulement

⚠ AVERTISSEMENT

Risque de décharge électrique

Appareil relié à la terre.

Le non-respect de ces instructions peut causer un décès, un incendie ou une décharge électrique.

Si on utilise un conducteur distinct de liaison à la terre lorsque les codes le permettent, il est recommandé qu'un électricien qualifié vérifie que la liaison à la terre est adéquate et la section des fils conforme aux codes locaux.

Vérifier que le raccordement à la source d'électricité et le calibre des conducteurs sont conformes aux prescriptions de la plus récente édition de la norme CSA C22.1, partie 1 – Code canadien de l'électricité et de tout code ou règlement local en vigueur.

Pour obtenir un exemplaire des normes des codes ci-dessus, contacter :

Association canadienne de normalisation
178 Rexdale Blvd.
Toronto, ON M9W 1R3 CANADA

- En cas de doute quant à la qualité de la liaison à la terre de la cuisinière, consulter un électricien qualifié.

Puissance nominale de la cuisinière*		Puissance nominale spécifiée du cordon d'alimentation et de la protection du circuit
120/240 V	120/208 V	Courant
8,8–16,5 kW	7,8–12,5 kW	40 ou 50**
16,6–22,5 kW	12,6–18,5 kW	50

*La charge NEC calculée est inférieure à la charge totale connectée indiquée sur la plaque signalétique.

** Si l'appareil est branché à un circuit de 50 A, utiliser un cordon de 50 A avec la trousse. Pour les ensembles avec cordon de 50 A nominal, utiliser des trousse conçues pour être utilisées avec une ouverture de raccord d'un diamètre nominal de 1 3/8 po (34,9 mm).

- Lorsqu'une source d'alimentation à une phase à 4 fils de 250 V CA à 60 Hz est accessible, une protection de circuit minimum de 40 A avec fusible aux deux bouts du circuit est requise pour les cuisinières de 30 po (76,2 cm).
- L'emploi d'un disjoncteur est recommandé.
- Cette cuisinière est munie d'un cordon d'alimentation certifié UL ou CSA International Certified conçu pour être branché dans un réceptacle mural 14-50R standard. Veiller à ce que la prise murale se trouve à proximité de l'emplacement définitif de la cuisinière.



- Ne pas utiliser de câble de rallonge.

INSTALLATION

Déballage de la cuisinière

AVERTISSEMENT

Risque de poids excessif

Utiliser deux personnes ou plus pour déplacer et installer l'appareil.

Le non-respect de cette instruction peut causer une blessure au dos ou d'autres blessures.

1. Ôter les matériaux d'emballage, le ruban adhésif et la pellicule protectrice de la cuisinière. Garder la base de carton sous la cuisinière. Ne rien jeter avant d'avoir terminé l'installation.
2. Retirer les grilles de four et le sachet de pièces du four et des matériaux d'emballage.
3. Pour retirer le fond en carton, prendre d'abord les 4 coins en carton de la caisse. Empiler l'un des coins sur un autre. Répéter avec les 2 autres coins. Les disposer sur le plancher dans le sens de la longueur derrière la cuisinière, à titre de support de la cuisinière lorsque celle-ci est placée sur sa partie postérieure.
4. À l'aide d'au moins deux personnes, saisir fermement la cuisinière et la déposer délicatement sur sa partie postérieure, sur les coins de protection.
5. Retirer le fond en carton.

Les pieds de nivellement peuvent être réglés pendant que la cuisinière repose sur sa partie postérieure. Voir la section « Réglage des pieds de nivellement ».

REMARQUE : Pour relever la cuisinière en position verticale, placer un carton ou un panneau de fibres dur au sol devant la cuisinière pour protéger le plancher. À 2 personnes au moins, redresser la cuisinière et la placer sur le carton ou le panneau de fibres dur.

Installation de la bride antibasculement

AVERTISSEMENT



Risque de basculement

Une personne, enfant ou adulte, peut faire basculer la cuisinière et subir des blessures mortelles.

Fixer la bride antibasculement au plancher ou au mur, conformément aux instructions d'installation.

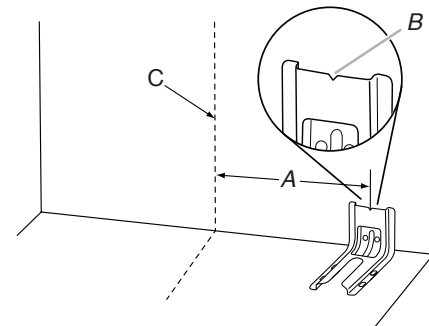
Faire glisser de nouveau la cuisinière de façon à ce que le pied arrière de la cuisinière se trouve dans la fente de la bride antibasculement.

Réengager la bride antibasculement si la cuisinière a été déplacée.

Ne pas faire fonctionner la cuisinière si la bride antibasculement n'est pas installée et engagée.

Le non-respect de ces instructions peut causer un décès ou des brûlures graves aux enfants et aux adultes.

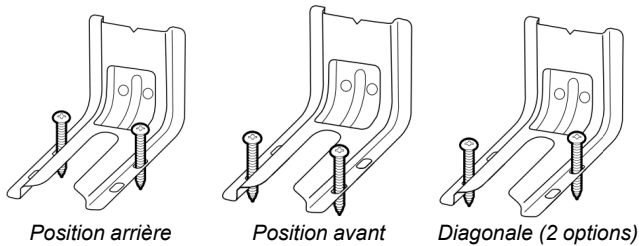
1. Sortir la bride antibasculement de l'intérieur du four.
2. Déterminer la méthode de montage à utiliser : au plancher ou au mur.
Pour un plancher en pierre ou en briquetage, on peut utiliser la méthode de montage au mur. En cas d'installation de la cuisinière dans une résidence mobile, il est impératif de fixer la cuisinière au sol.
Cette bride antibasculement et les vis peuvent être utilisées avec des goujons en métal ou en bois.
3. Déterminer et marquer l'axe central de l'espace à découper. Le montage peut être effectué du côté gauche ou droit de la découpe. Positionner la bride de montage contre le mur dans l'ouverture, de telle sorte que l'encoche en V de la bride se trouve à 12 1/2 po (31,8 cm) de l'axe central, comme illustré.



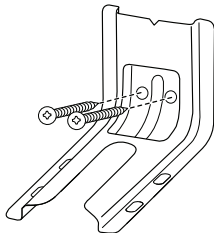
- A. 12 1/2 po (31,8 cm)
- B. Encoche en V de la bride
- C. Axe central

4. Percer deux trous de 1/8 po (3 mm) qui correspondent aux trous de la bride selon la méthode de montage déterminée. Voir les illustrations suivantes.

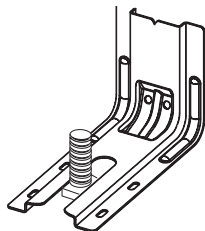
Montage au plancher



Montage mural



5. À l'aide des deux vis cruciformes no 10 x 1 5/8 po (4,1 cm) incluses, fixer la bride antibasculement au mur ou au plancher.
6. Rapprocher la cuisinière le plus près possible de l'ouverture afin de faciliter les raccordements électriques définitifs. Retirer la plaque de transport, le carton ou le panneau de fibres dur de sous la cuisinière.
7. Déplacer la cuisinière vers son emplacement final en s'assurant que le pied de nivellement arrière glisse dans la bride antibasculement.



8. Déplacer la cuisinière vers l'avant sur sa plaque de transport, son carton ou son panneau de fibres dur pour poursuivre l'installation de la cuisinière à l'aide des instructions d'installation suivantes.

Réglage des pieds de nivellement

1. Si un réglage de la hauteur de la cuisinière est nécessaire, utiliser une clé ou une pince pour desserrer les quatre pieds de nivellement.

Cette opération peut être effectuée alors que la cuisinière repose sur sa partie postérieure ou sur deux pieds après avoir été relevée en position verticale.

REMARQUE : Pour placer à nouveau la cuisinière en position verticale, placer un carton ou un panneau de fibres dur devant la cuisinière. À l'aide de deux personnes ou plus, replacer la cuisinière debout sur le carton ou le panneau de fibre.

⚠ AVERTISSEMENT



Risque de basculement

Une personne, enfant ou adulte, peut faire basculer la cuisinière et subir des blessures mortelles.

Fixer la bride antibasculement au plancher ou au mur, conformément aux instructions d'installation.

Faire glisser de nouveau la cuisinière de façon à ce que le pied arrière de la cuisinière se trouve dans la fente de la bride antibasculement.

Réengager la bride antibasculement si la cuisinière a été déplacée.

Ne pas faire fonctionner la cuisinière si la bride antibasculement n'est pas installée et engagée.

Le non-respect de ces instructions peut causer un décès ou des brûlures graves aux enfants et aux adultes.

2. Mesurer la distance entre le haut du plan de travail et le plancher.
3. Mesurer la distance entre le haut de la table de cuisson et le bas des pieds de nivellement. Cette distance doit être la même. Dans le cas contraire, régler les pieds de nivellement à la hauteur correcte. Les pieds de nivellement peuvent être desserrés pour ajouter une hauteur maximum de 1 po (2,5 cm). Une longueur minimum de 3/16 po (5 mm) est nécessaire pour engager la bride antibasculement.

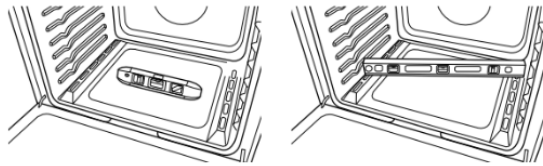
REMARQUE : Si un réglage de la hauteur est effectué alors que la cuisinière est debout, incliner la cuisinière vers l'arrière pour régler les pieds avant, puis incliner la cuisinière vers l'avant pour régler les pieds arrière.

4. Lorsque la cuisinière est à la hauteur souhaitée, vérifier que l'espace sous la cuisinière est suffisant pour loger la bride antibasculement. Avant de faire glisser la cuisinière à son emplacement final, vérifier qu'il sera possible de faire glisser la bride antibasculement sous la cuisinière et sur le pied de nivellement arrière avant l'installation de la bride antibasculement.

REMARQUE : En cas d'utilisation d'un jeu de garnitures, le dessus de la table de cuisson doit être plus haut que le plan de travail. Voir les instructions d'installation fournie avec le jeu de garnitures pour la hauteur correcte.

Réglage de l'aplomb de la cuisinière

1. En fonction de la taille du niveau, le placer sur le bas du four comme indiqué dans l'une des deux illustrations ci-dessous. Contrôler l'aplomb transversal et dans le sens avant/arrière.



2. Si la cuisinière n'est pas horizontale, utiliser une clé ou une pince pour régler les pieds de nivellement vers le haut ou vers le bas jusqu'à ce que la cuisinière soit d'aplomb.

REMARQUE : La cuisinière doit être d'aplomb pour que les résultats de cuisson au four soient satisfaisants et les résultats de nettoyage idéaux avec la technologie d'autonettoyage AquaLift®.

Raccordement Électrique – É.-U. seulement

Si le domicile est doté d'une connexion directe de 4 conducteurs, voir la section « Installation en utilisant du câblage direct ».

Installer à l'aide d'une Connexion Directe

⚠ AVERTISSEMENT



Risque de décharge électrique

Déconnecter la source de courant électrique avant l'entretien.

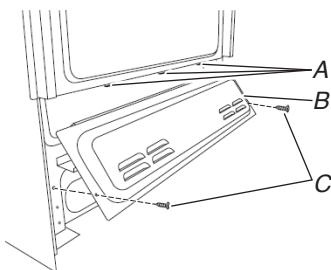
Utiliser des conducteurs en cuivre de calibre 8 ou en aluminium de calibre 6.

Relier la cuisinière à la terre.

Le non-respect de ces instructions peut causer un décès, un incendie ou une décharge électrique.

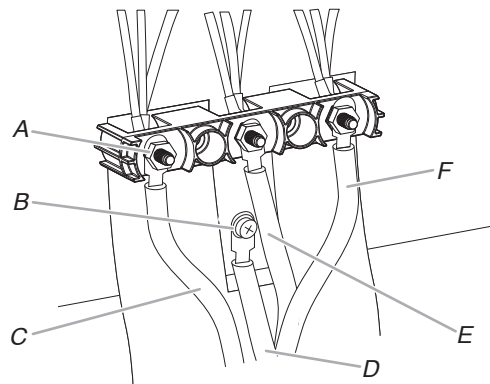
Serre-Câbles pour Câblage Direct

1. Débrancher l'alimentation.
2. Ôter les vis du couvercle d'accès inférieur situées à l'arrière de la cuisinière. Tirer le bas du couvercle vers soi et l'extérieur pour retirer le couvercle de la cuisinière.



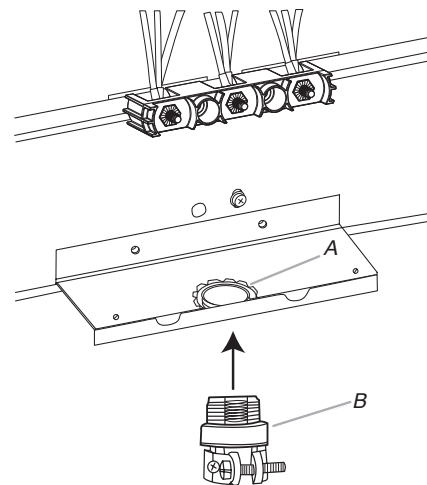
- A. 3 onglets de montage
- B. Couvercle d'accès inférieur
- C. (2) vis

3. Retirer les trois écrous hexagonaux 10-32 des bornes de fixation du cordon d'alimentation.



- A. Écrou 10-32 à tête hexagonale
- B. Vis du fil de liaison à la terre
- C. Ligne 2 (rouge)
- D. Conducteur vert (liaison à la terre)
- E. Conducteur neutre (centre)
- F. Ligne 1 (noir)

4. À l'aide d'un tournevis cruciforme, retirer la vis du fil de liaison à la terre à l'arrière de la cuisinière. Conserver la vis de mise à la terre.
5. Retirer le cordon d'alimentation des bornes.
6. Utiliser un tournevis à lame plate ou une pince pour comprimer les languettes du serre-câbles du cordon d'alimentation et tirer le cordon d'alimentation par l'ouverture de la plaque du cordon/conduit.
7. Assembler un connecteur de conduit homologué UL dans l'ouverture.
 - Retirer l'opercule défonçable si nécessaire pour le raccordement du conduit flexible.
 - Monter un connecteur de conduit homologué UL dans l'ouverture de la plaque de cordon/conduit.



- A. Écrou de retenue amovible
- B. Conduit

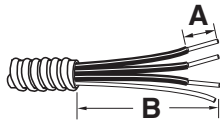
- Serrer la vis du serre-câbles autour du conduit flexible.



Installation d'une Connexion Directe : Conducteur de Cuivre ou d'Aluminium

Cette cuisinière peut être raccordée directement au coupe-circuit avec fusible ou au disjoncteur. En fonction de l'alimentation électrique, réaliser le raccordement nécessaire à 4 conducteurs.

1. Couper la gaine extérieure sur une longueur de 3 po (7,6 cm) pour exposer les conducteurs. Dénuder chaque fil de sa gaine isolante sur une longueur de 3/8 po (1,0 cm).

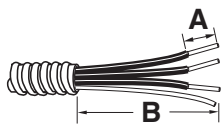


A. 3/8 po (1 cm)
B. 5 po (12 cm)

2. Laisser suffisamment de jeu pour raccorder facilement les conducteurs au bornier.
3. Terminer l'installation en suivant les instructions pour une connexion électrique à 4 fils.

Options de Raccordement Électrique

Si le domicile comporte :	Et la connexion est effectuée à :	Voir la Section :
Direct – 4 fils	Un boîtier de disjoncteurs ou un sectionneur à fusible	Connexion à 4 Conducteurs : Raccordement par Câblage Direct



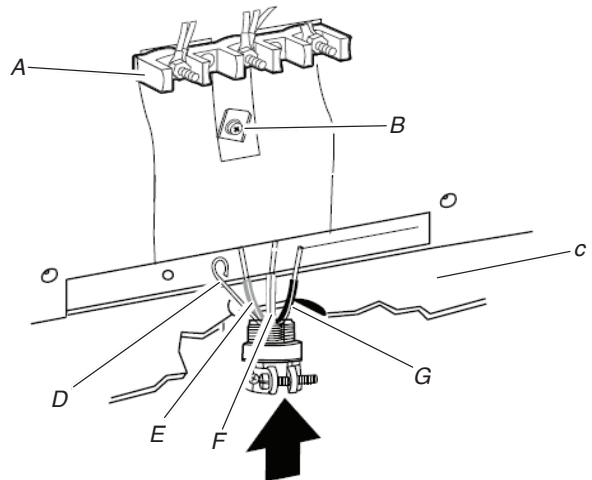
A. 3/8 po (1 cm)
B. 5 po (12 cm)

Connexion à 4 Conducteurs : Raccordement par Câblage Direct

Utiliser cette méthode dans les cas suivants :

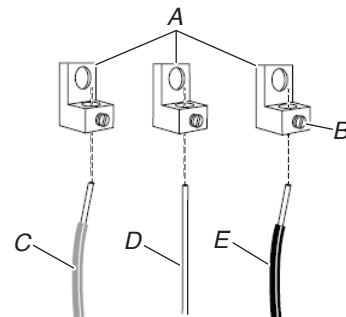
- Nouvelles installations avec circuit de dérivation (1996 NEC)
- Résidences mobiles
- Véhicules récréatifs
- Pour les endroits où il est illégal selon le code local d'effectuer la mise à la terre à partir du neutre

1. Tirer les conducteurs à travers le serre-câbles au pied de la cuisinière. Laisser suffisamment de jeu pour raccorder facilement le câblage au boîtier de raccordement.



A. Bornier
B. Vis du fil de liaison à la terre
C. Cordon/conduite
D. Fil de mise à la terre nu (vert)
E. Conducteur de ligne 2 (rouge)
F. Conducteur du neutre (blanc)
G. Conducteur de ligne 1 (noir)

2. Connecter les cosses aux conducteurs des lignes 1 (noir), neutre (blanc) et 2 (rouge). Desserrer (ne pas enlever) la vis d'ajustement sur le devant de la cosse et insérer l'extrémité du conducteur nu jusqu'au fond des cosses. Serrer au couple de façon sécuritaire la vis de serrage comme indiqué dans le Tableau de Spécifications de Couple pour Fil Dénudé suivant.



A. Cosse
B. Vis de serrage
C. Conducteur de ligne 2 (rouge)
D. Conducteur du neutre (blanc)
E. Conducteur de ligne 1 (noir)

Spécifications de Couple pour les Fils Nus

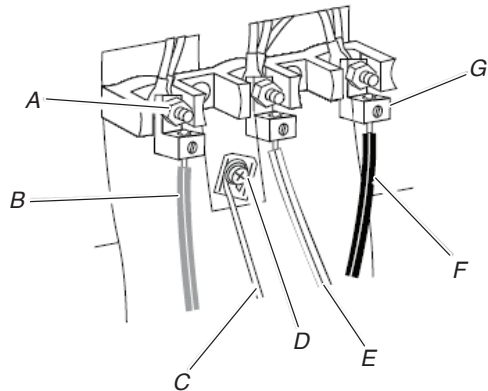
Serrage des cosses au bornier : 20 lb/po (2,3 N·m).

Calibre AWG	Couple
Conducteur de cuivre de calibre 8	25 lb/po (2,8 N·m)
Conducteur d'aluminium de calibre 6	35 lb/po (4,0 N·m)

3. Utiliser un tournevis cruciforme ou à tête hexagonale pour connecter le fil de mise à la terre nu (vert) à la cuisinière avec la vis du fil de liaison à la terre.

IMPORTANT : Le fil de mise à la terre doit être raccordé en premier et ne doit être en contact avec aucune autre borne.

- À l'aide d'un tourne-écrou de 3/8 po (1,0 cm), connecter le conducteur neutre (blanc) au plot central du bornier au moyen d'un des écrous hexagonaux no 10-32.



- | | |
|-------------------------------------|---------------------------------|
| A. Écrou 10-32 à tête hexagonale | E. Conducteur du neutre (blanc) |
| B. Conducteur de ligne 2 (rouge) | F. Conducteur de ligne 1 (noir) |
| C. Fil de mise à la terre nu (vert) | G. Cosse |
| D. Vis de liaison à la terre | |

- Connecter les conducteurs de la ligne 2 (rouge) et de la ligne 1 (noir) aux bornes externes du bornier avec des écrous hexagonaux no 10-32.
- À l'aide d'une clé dynamométrique, serrer les écrous hexagonaux au couple recommandé de 20 lb/pe (2,3 N·m).
- Bien serrer les écrous hexagonaux.
IMPORTANT : Vérifier le serrage des écrous hexagonaux. S'assurer que tous les faisceaux sont serrés à la borne et qu'ils ne sont pas lâches.
- Replacer le couvercle d'accès inférieur.
- Rebrancher l'alimentation.

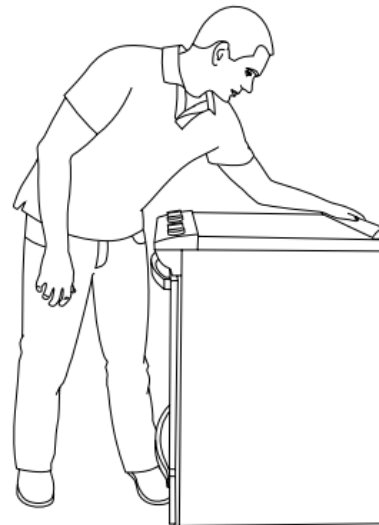
Vérifier que la Bride Antibasculément est bien Installée et Engagée

Sur les Cuisinières équipées d'un Tiroir de Remisage :

- Glisser la cuisinière dans son emplacement final en s'assurant que le pied de nivellement arrière glisse dans la bride antibasculément.
- Retirer le tiroir de remisage. Voir la section « Enlever/Replacer du Tiroir ».
- Au moyen d'une torche électrique, inspecter le dessous de la cuisinière.
- Regarder pour voir si le pied arrière de la cuisinière est inséré dans la fente de la bride antibasculément.

Sur les cuisinières équipées d'un tiroir-réchaud ou d'un tiroir de cuisson :

- Glisser la cuisinière dans son emplacement final en s'assurant que le pied de nivellement arrière glisse dans la bride antibasculément. Laisser un espace de 1 po (2,5 cm) entre le dos de la cuisinière et le mur du fond.
- Placer l'extérieur de votre pied contre le bas de l'avant du tiroir-réchaud ou tiroir de cuisson pour empêcher la cuisinière de bouger, puis agripper l'arrière de la cuisinière comme indiqué.



- Tenter d'incliner la cuisinière vers l'avant avec précaution. En cas de résistance immédiate, cela signifie que le pied de la cuisinière est engagé dans la bride antibasculément. Passer à l'étape 8.
- Si l'arrière de la cuisinière se soulève de plus de 1/2 po (1,3 cm) du plancher sans opposer de résistance, cesser d'incliner la cuisinière et la reposer doucement sur le plancher. Le pied de la cuisinière n'est pas engagé dans la bride antibasculément.

IMPORTANT : Si l'on entend un claquement ou un bruit d'éclatement lorsqu'on soulève la cuisinière, cela signifie peut-être que la cuisinière n'est pas bien engagée dans la bride. Vérifier qu'aucun obstacle n'empêche la cuisinière de glisser jusqu'au mur ou le pied de la cuisinière de glisser dans la bride. Vérifier que la bride est fermement maintenue en place par les vis de montage.

- Glisser la cuisinière vers l'avant et vérifier que la bride antibasculément est bien fixée au plancher ou au mur.
- Faire glisser de nouveau la cuisinière de façon à ce que son pied arrière se trouve dans la fente de la bride antibasculément.
- Répéter les étapes 1 et 2 pour s'assurer que le pied de la cuisinière est bien engagé dans la bride antibasculément. Si l'arrière de la cuisinière se soulève de plus de 1/2 po (1,3 cm) du plancher sans opposer de résistance, cela peut signifier que la bride antibasculément n'est pas correctement installée. Ne pas faire fonctionner la cuisinière si la bride antibasculément n'est pas installée et engagée. Consulter le Guide de démarrage rapide pour obtenir les coordonnées.
- Déplacer la cuisinière à son emplacement définitif. Vérifier que la cuisinière est d'aplomb en plaçant un niveau dans le bas du four. Voir la section « Réglage de l'aplomb de la cuisinière ».

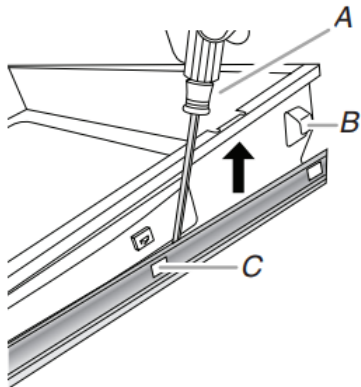
IMPORTANT : Si la cuisinière est déplacée pour régler les pieds de nivellement, s'assurer que la bride antibasculément est bien engagée en répétant les étapes 1 à 8.

Enlever/replacer le tiroir

Enlever tous les objets du tiroir-réchaud, du tiroir de cuisson ou du tiroir de remisage de qualité supérieure, puis laisser la cuisinière refroidir complètement avant d'essayer d'enlever le tiroir.

Retrait :

1. Ouvrir le tiroir complètement.
2. À l'aide d'un tournevis à lame plate, desserrer doucement le tiroir pour le dégager de l'encoche d'alignement de glissières et soulever l'onglet d'alignement du tiroir pour le dégager de la glissière.

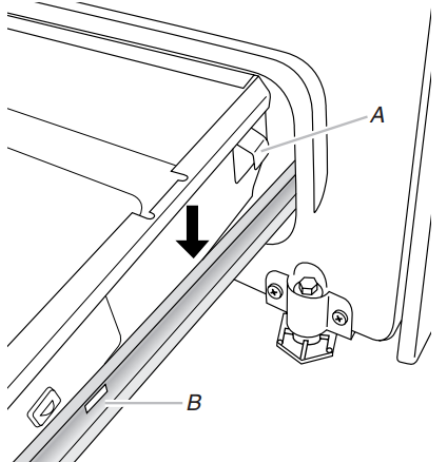


A. Tournevis à tête plate
B. Onglet d'alignement du tiroir
C. Encoche de glissière de tiroir

3. Répéter l'étape 2 pour l'autre côté. Le tiroir n'est plus fixé aux glissières de tiroir. Avec les deux mains, saisir le tiroir pour le retirer complètement.

Replacer :

1. Aligner les encoches de l'avant du tiroir avec les encoches des glissières latérales à l'intérieur du tiroir (de chaque côté). Placer les onglets d'alignements arrière dans les glissières de tiroir (de chaque côté).



A. Onglet d'alignement du tiroir
B. Encoche de glissière de tiroir

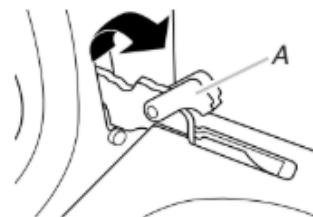
2. Pousser le tiroir complètement.
3. Ouvrir et fermer délicatement le tiroir pour s'assurer qu'il est bien engagé dans les glissières des deux côtés.

Porte du four

Il n'est pas recommandé d'enlever la porte du four pour une utilisation normale. Toutefois, si la dépose est nécessaire, s'assurer que le four est éteint et froid. Ensuite, suivre les instructions ci-dessous. La porte du four est lourde.

Retrait :

1. Ouvrir la porte du four complètement.
2. Pincer le loquet de charnière entre les deux doigts et le tirer vers l'avant. Répéter ces opérations pour l'autre côté de la porte du four.



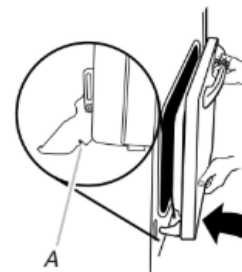
A. Loquet de charnière

3. Fermer la porte du four aussi loin que possible.
4. Soulever la porte du four en la retenant de chaque côté. Continuer de maintenir la porte du four fermée et la dégager du châssis de la porte du four.



Replacer :

1. Insérer les deux bras de suspension dans la porte. Vérifier que les encoches de charnière sont engagées dans le cadre de la porte du four.



A. Encoche de charnière

2. Ouvrir la porte du four. La porte doit pouvoir s'ouvrir complètement.
3. Remettre les leviers des charnières à la position verrouillée. Vérifier que la porte s'ouvre et se ferme facilement et qu'elle est bien droite en position fermée. Si ce n'est pas le cas, répéter la procédure pour enlever et reposer la porte.

Achever l'installation

1. Vérifier que toutes les pièces sont maintenant installées. S'il reste une pièce, passer en revue les différentes étapes pour découvrir laquelle aurait été oubliée.
2. Vérifier la présence de tous les outils.
3. Vérifier que tous les accessoires de la cuisinière sont présents, en particulier les grilles du four. Ces accessoires peuvent se trouver dans les matériaux d'emballage de la cuisinière.
4. Éliminer/recycler tous les matériaux d'emballage.
5. Vérifier que la cuisinière est d'aplomb. Voir la section « Réglage de l'aplomb de la cuisinière ».
6. Utiliser une solution d'eau tiède et de nettoyant ménager doux pour éliminer tout résidu de cire laissé par les matériaux d'emballage. Sécher soigneusement avec un chiffon doux. Pour obtenir plus d'informations, voir la section « Entretien et réparation de la cuisinière ».
7. Lire le Guide de démarrage rapide et le Guide de commande en ligne.
8. Brancher le cordon électrique dans la prise de courant appropriée. Mettre l'appareil sous tension.
9. Mettre en marche les brûleurs de surface et le four. Consulter le Guide de démarrage rapide et le Guide de commande pour obtenir des instructions précises sur le fonctionnement de la cuisinière.

REMARQUE : Au cours des premières utilisations du four, il est normal qu'il dégage des odeurs et de la fumée.

Si la cuisinière ne fonctionne pas, contrôler ce qui suit :

- Le fusible domestique est intact et bien visé ou le disjoncteur n'est pas ouvert.
- La cuisinière est branchée sur une prise reliée à la terre.
- La prise de courant est correctement alimentée.

IMPORTANT : Si le tableau de commande de la cuisinière affiche le code d'erreur « F9 » ou « F9, E0 », cela peut signifier que le câblage de la prise électrique est défectueux. Déconnecter la source de courant électrique et contacter un électricien qualifié pour qu'il contrôle le circuit d'alimentation électrique.

10. Après 5 minutes de fonctionnement de la cuisinière, vérifier la chaleur. Si la cuisinière est froide, fermer le four et contacter un électricien qualifié.

Pour obtenir de l'assistance ou une visite de service :

Consulter le Guide de démarrage rapide pour obtenir les coordonnées.

Déplacement de la cuisinière

AVERTISSEMENT



Risque de basculement

Une personne, enfant ou adulte, peut faire basculer la cuisinière et subir des blessures mortelles.

Fixer la bride antibasculement au plancher ou au mur, conformément aux instructions d'installation.

Faire glisser de nouveau la cuisinière de façon à ce que le pied arrière de la cuisinière se trouve dans la fente de la bride antibasculement.

Réengager la bride antibasculement si la cuisinière a été déplacée.

Ne pas faire fonctionner la cuisinière si la bride antibasculement n'est pas installée et engagée.

Le non-respect de ces instructions peut causer un décès ou des brûlures graves aux enfants et aux adultes.

Lorsqu'on déplace la cuisinière, la faire glisser sur une planche de carton ou en matériau dur pour éviter d'endommager le revêtement du sol.

Si le déplacement de la cuisinière est nécessaire pour le nettoyage ou l'entretien :

Cuisinières alimentées par cordon d'alimentation :

1. Faire glisser la cuisinière vers l'avant.
2. Débrancher le cordon d'alimentation électrique.
3. Effectuer le nettoyage ou l'entretien.
4. Brancher le cordon d'alimentation électrique.
5. Vérifier que la bride antibasculement est bien installée et engagée. Voir la section « Vérifier que la bride antibasculement est bien installée et engagée ».
6. Vérifier que la cuisinière est d'aplomb.

Pour les cuisinières avec câblage direct :

⚠ AVERTISSEMENT



Risque de décharge électrique

Déconnecter la source de courant électrique avant l'entretien.

Replacer pièces et panneaux avant de faire la mise en marche.

Le non-respect de cette instruction peut causer un décès ou une décharge électrique.

1. Débrancher l'alimentation.
2. Faire glisser la cuisinière vers l'avant.

3. Effectuer le nettoyage ou l'entretien.
4. Vérifier que la bride antibasculement est bien installée et engagée. Voir la section « Vérifier que la bride antibasculement est bien installée et engagée ».
5. Vérifier que la cuisinière est d'aplomb.
6. Rebrancher l'alimentation.