

SDWB24S3

Top Control Wi-Fi Enabled Dishwasher

1-Hour Wash & Dry Cycle

QuadWash® Pro

Dynamic Heat Dry™

TrueSteam®

Height Adjustable 3rd Rack

ThinQ® Technology with ThinQ Care



CAPACITY

Total Place Settings	15
Maximum Height of Upper Rack	7.1"
Maximum Height of Lower Rack	12.5"

RACKS AND BASKETS

EasyRack™ Plus System	Yes
Fold Down Tines	Yes (Fully on Upper & Fully (Smart) on Lower)
Rack Handle / Deco	Yes (Upper & Lower)
Rack Color (Handle / Tine)	Dark Gray / Dark Gray
Cup Rack	Yes
Cup Rack Color	Dark Gray
Stemware Holder	Yes
Height-Adjustable	Yes (Easy One Touch (3 Level))
Stemware Holder	Yes
Cutlery Baskets	Yes
Height Adjustable 3rd Rack	Yes
Cutlery Baskets	Yes
Glide Rail	Upper
Glide Wheel	Lower

STYLE AND DESIGN

Colors	Smudge Resistant Stainless Steel
Status Indicators	3 Indicator Lights
Remaining Time indicator	LED
Tub Material	NeveRust® Stainless Steel
Tub Light	Yes

FEATURES

Number of Wash Cycles	10 (Auto, Heavy, Delicate, Refresh, Normal, 1-Hour, Download Cycle, Machine Wash, Rinse, Express)
Number of Options	8 (Flex Zone, Steam, High Temp, Dry Boost, Delay Start (Up to 12 Hours), Control Lock, Night Dry, Remote Start)
TrueSteam®	Yes
Quad Wash™	Yes
SenseClean Wash System	Yes
Vario Wash	Yes
No. of Spray Arms	3 (Top, Upper, Lower)
Detergent and Rinse-Aid Dispenser	Yes



Drying System	Dynamic Dry+
End of Cycle Indicator	Beeper + END indication on display
Hidden Water Heater	Yes
Safety Float Switch (Leaks)	Yes
Soil (Turbidity) Sensor	Yes
DirectDrive Motor™	Yes
LoDecibel Quiet Operation	40dBA
Tub Insulation	Damping Sheet, Sound Absorbing Material (felt), Base
BPA-Free Nylon Coated Racks and Tines	Yes
Anti-Bacterial Treatment (Drain hose)	Yes
Balanced Door	Yes

QUAD ARM

STS Deco	Yes
Body Color	Pearl Dark Gray
Nozzle Color	Orange

SMART FEATURES

Wi-Fi Enabled	Yes
---------------	-----

POWER RATINGS

ENERGY STAR® Qualified	Yes
CEE Tier	1
Energy Use (kWh/Year)	238 kWh/Year
Water Use (Gallons/Cycle)	2.9

DIMENSIONS/CLEARANCES/WEIGHT

Product Dimensions (W x H x D) (in)	23 3/4" x 33 5/8" x 24 5/8"
Depth with Door Closed (Handle) (in)	26 13/16"
Depth with Door Open (in)	49 1/4"
Carton Dimensions (W x H x D) (in)	28 1/32" x 29 5/8" x 34 7/8"
Clearances (WxHxD)	24" x 24" x 33 5/8"
Product Weight (Kg)	42.1 kg
Carton Weight (Kg)	48.4 kg

WARRANTY

Labor / Parts (Internal / Functional parts only)	1 Year
Main control board, Rack, Stainless Steel Door Liner, Tub	5 Years
Stainless Steel Door Liner, Tub	5 Years
Direct Drive Motor	10 Years

UPC CODES

SDWB24S3 (Smudge Resistant Stainless Steel)	195174060469
---	--------------

SDWB24S3

Top Control Wi-Fi Enabled Dishwasher

QUICK INSTALL & CLEARANCES

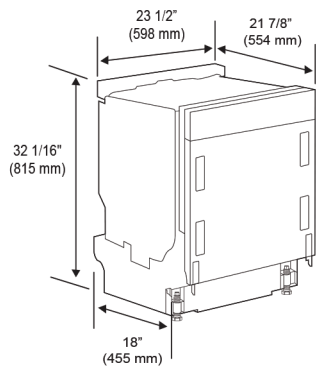
For full installation directions/clearances please refer to the corresponding User Manual and Installation Guide.

DIMENSIONS / CLEARANCES / WEIGHT

Product Dimensions (in) (W x H x D)	23 3/4" x 33 5/8" x 24 5/8"
Depth with Door Closed (Handle) (in)	26 13/16"
Depth with Door Open (in)	49 1/4"
Carton Dimensions (in) (W x H x D)	28 1/32" x 29 5/8" x 34 7/8"

POWER RATINGS

ENERGY STAR® Qualified	Yes
CEE Tier	1
Energy Use (kWh/Year)	238 kWh/Year
Water Factor (WF)	2.9

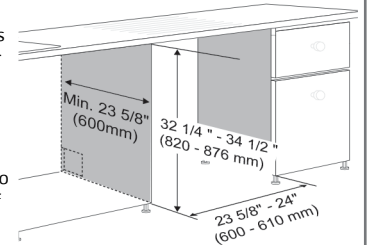


PREPARING CABINET OPENING

- This dishwasher is designed to fit a standard dishwasher opening. An opening may be needed on both sides to route plumbing and electrical connections.
- To ensure proper drainage, install the dishwasher no more than 12 ft. (3.65 m) from the sink.
- The location must have sufficient space for the dishwasher door to open easily and provide at least 0.1" (2 mm) between the dishwasher and the cabinet sides.
- If installing the dishwasher in a corner, leave a minimum of 2" (50 mm) between the dishwasher and the adjacent wall.
- The adjacent wall must be free of obstructions.
- For flush installations only, you may remove the cabinet brace inside the cabinet.

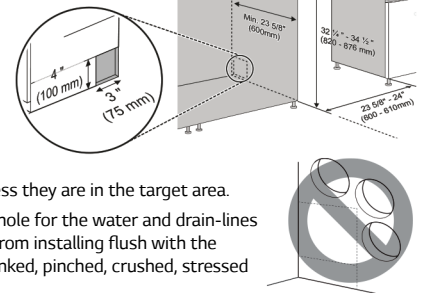
Choosing the Proper Location

- Select a location as close to the sink as possible for easy connections to water supply line, drain hose and electrical connection.
- To allow for proper clearance of plumbing and electrical, use the template included with the literature to determine the clearance on the side of the cabinet where the cabinet meets the back wall. Using a 2 1/2" diameter hole saw, drill a hole in the target area as shown on the template.



⚠ WARNING

- Installation damage is not covered by the warranty, and leaks caused by improper installation may result in property damage.
- Do not use existing holes unless they are in the target area.
- Failure to properly locate the hole for the water and drain-lines may prevent the dishwasher from installing flush with the cabinets and could result in kinked, pinched, crushed, stressed or damaged lines.



PREPARING WATER AND ELECTRICAL CONNECTIONS

⚠ WARNING

Water Connection

- Do not reuse an old hose. Use only a new hose when installing the dishwasher. The old hose could leak or burst causing flooding and property damage. Contact an LG Customer Information Center for assistance in buying a new hose.

Electrical Connection

- Use a time-delay fuse or circuit breaker.
- Operate this appliance with the correct voltage as shown in this manual and on the rating plate.
- The wiring must be grounded properly. If in doubt, have it checked by a qualified electrician.
- The appliance and outlet must be positioned so that the plug is easily accessible.
- Do not use an extension cable or adapter with this dishwasher.
- Do not overload the outlet with more than one appliance.
- It is the personal responsibility and obligation of the product owner to have a proper outlet installed by a qualified electrician.

⚠ CAUTION

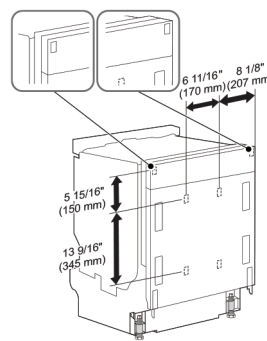
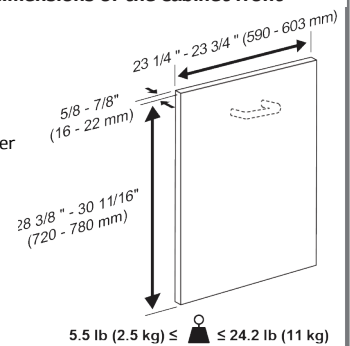
- When connecting the dishwasher water supply line to the house water supply, sealing tape or compound should be used on pipe threads to avoid leaks. Tape or compound should not be used on compression fittings.
- Connect the dishwasher to a hot water supply with a temperature range between 120 °F (49 °C) and 149 °F (65 °C). This temperature range provides the best washing results and shortest cycle time. To prevent damage to dishes, the temperature should not exceed 149 °F (65 °C).
- Water supply pressure must be between 20 psi and 80 psi (140–550 kPa). If the water supply pressure exceeds 80 psi, a pressure reducing valve must be installed. Otherwise premature failure of the inlet valve may occur.

CHECKING THE CABINET PANEL

- This dishwasher is designed to work with a cabinet front panel (not provided) which slides up as the door is opened. Before installing the dishwasher, check the weight and dimensions of the cabinet front panel you have selected.

- The dishwasher can support panels weighing 5.5 – 24.2 lb (2.5 – 11 kg).
- If the cabinet panel weighs between 17.6 lb (8 kg) and 24.2 lb (11 kg), adjust the door spring tension to make the door easier to open. See the Adjusting Door Spring Tension topic in the Owners Manual.

For best results, the width of the wood panel should be 1/4" (6 mm) less than the width of the cabinet.



- Attaching fleece tape between the dishwasher door and the cabinet panel will reduce the friction when the door slides up and down.
- Install the fleece tape close to the bracket openings to make sure the door slides smoothly.
- Peel the fleece tape strips off the carrier and attach them to the door.