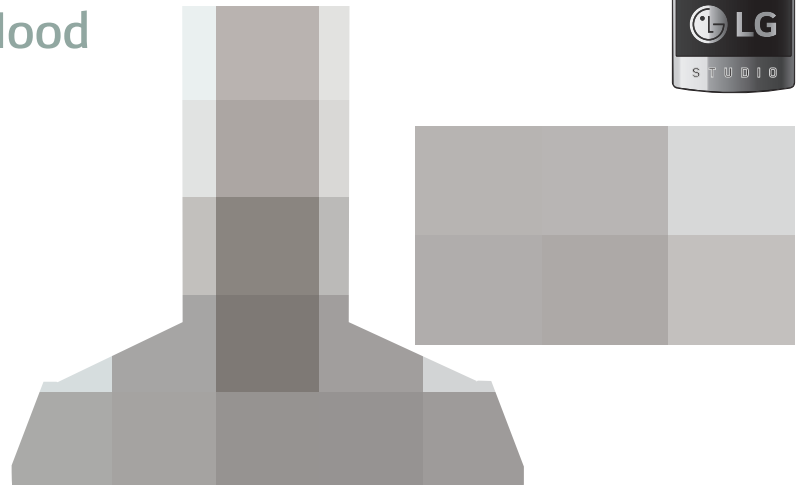


30" Wall Mount Chimney Hood

- Powerful 600 CFM Blower
- 5" Low-Profile Body
- Accommodates Ceilings up to 9' 6"
- 5-Speed IR Touch Controls
- Dual Level LED Lighting
- 2 Decorative Mesh Filters
- RoHS Compliant
- LG ThinQ® Technology (Wi-Fi)



AVAILABILITY

LSHD3080ST – Stainless Steel

FEATURES

Controls	IR Touch
Auto Delay-Off	Yes
Lighting	9W LED Light Strip
Dual-Level Lighting	Yes
Filters	2 Decorative Mesh, Dishwasher-Safe
Wi-Fi Capabilities	Yes (On/Off, Control CFM, Lights, Status)
RoHS Compliant	Yes

BLOWER & DUCTING

Speed Levels	5
CFM (min-max)	200-600
Sones (min-max)	1-6
Vertical Internal Blower	6" Round
Venting Options	Roof, Wall, Room/Recirculating (Kit Required)

SMART FEATURES

Wi-Fi Enabled	Yes
ThinQ®	Yes
Proactive Customer Care	Yes
Voice Control	Amazon Alexa, Google Assistant
SmartDiagnosis™	Yes
Remote Monitoring	Yes

APPEARANCE / MATERIALS / FINISHES

Fingerprint & Smudge Resistant Exterior	No
Low Profile Body	Yes

TECHNICAL SPECS

Required Power Supply	120V, 60Hz
Connected Load	4 Amp
Minimum Circuit Rating	15 Amp
Power / Plug Type	3-Wire Cable Required

INCLUDED ACCESSORIES

Telescoping Duct Cover

OPTIONAL ACCESSORIES

Recirculation Kit for Room Venting	ZRC-01AN (Order from store.zephyronline.com)
Duct Cover Extension for Ceiling Heights that are between 9 ft. 10 in. and 12 ft.	Z1C-00AN (Order from store.zephyronline.com)

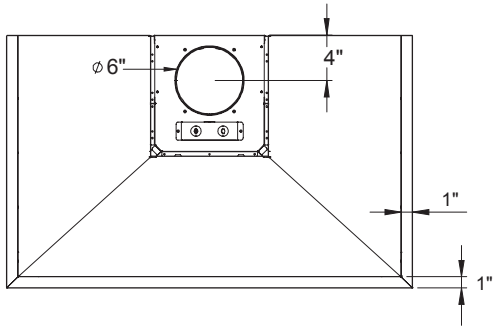
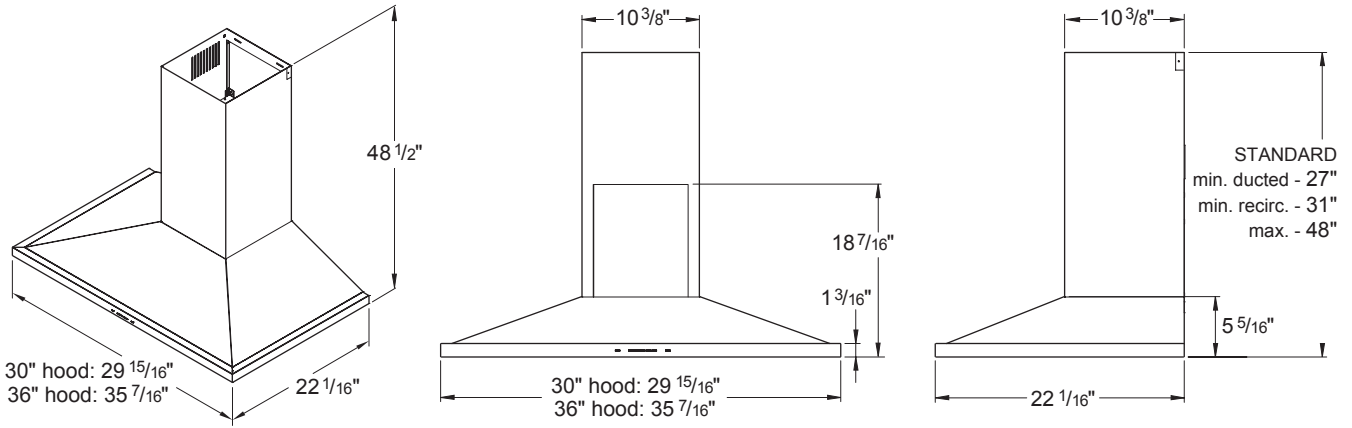
DIMENSIONS / CLEARANCES / WEIGHT

Product Dimensions (W x H x D)	29 15/16" x 27" to 48 1/2" x 22 1/16"
Minimum Distance from Cooking Surface	26"– 34"
Carton Dimensions (W x H x D)	34 1/4" x 27 3/8" x 26 5/8"
Approx. Weight (Product / Carton)	35 lbs. / 52 lbs.

LIMITED WARRANTY

Parts and Labor	2 Years
-----------------	---------

DIMENSIONS / CLEARANCES

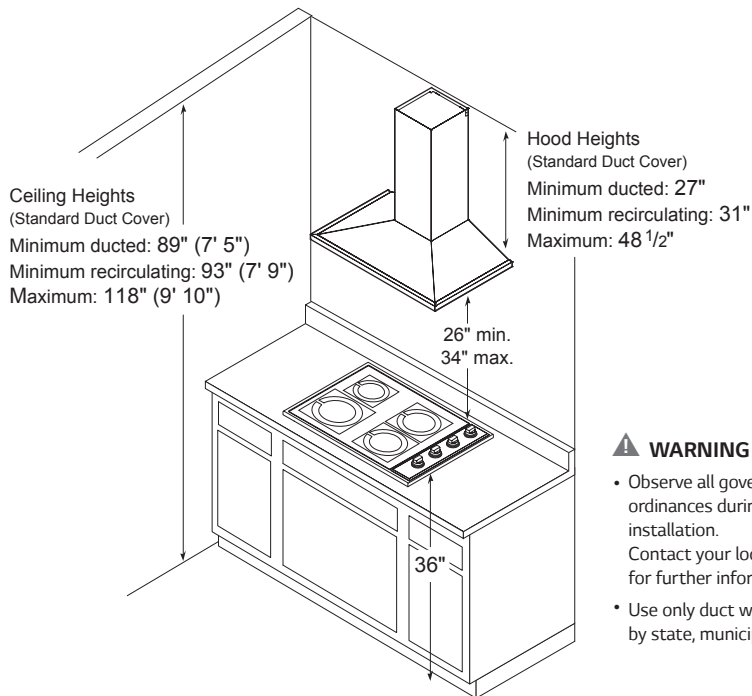


Tolerances: +1/16", -0 (1.6 mm, -0), unless otherwise stated.

INSTALLATION NOTES

- The exhaust duct(s) and electrical wiring can be connected from either the top or the back of the hood.

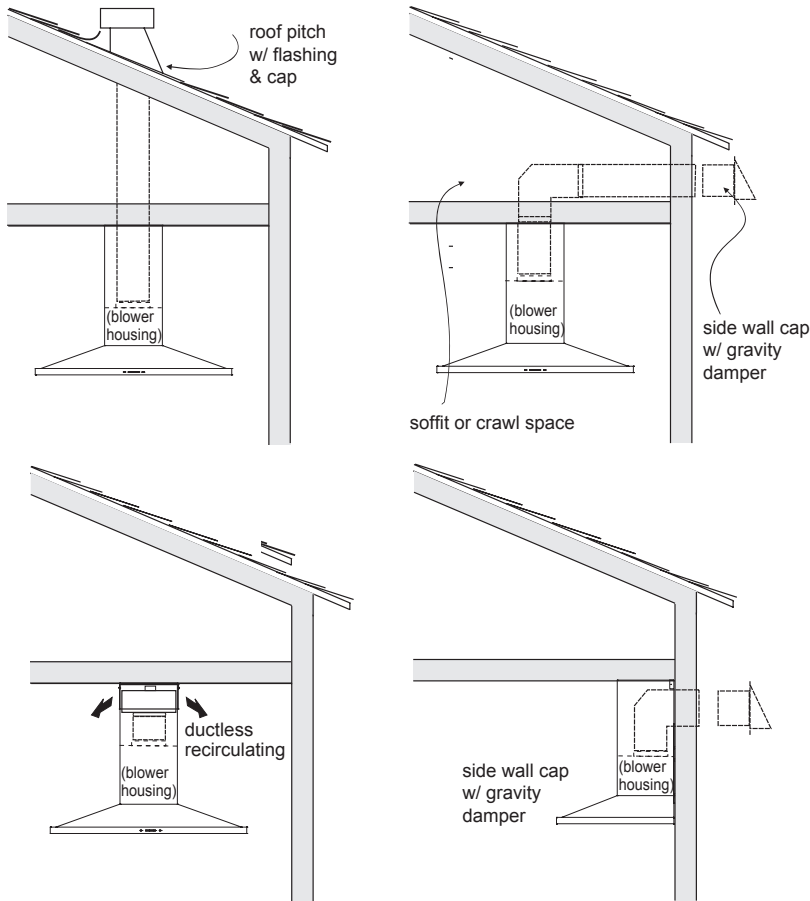
INSTALLATION CLEARANCES



⚠ WARNING

- Observe all governing codes and ordinances during planning and installation. Contact your local building department for further information.
- Use only duct work deemed acceptable by state, municipal and local codes.

DUCTING OPTIONS



INSTALLATION NOTES

- A minimum of 6" round duct must be used to maintain maximum air flow efficiency.
- Always use rigid metal ducts only. Flexible ducts could restrict air flow by up to 50%.
- ALWAYS, when possible, reduce the number of transitions and turns. If long duct run is required, increase duct size from 6" to 7" or 8".
- If turns or transitions are required, install as far away from hood duct output and as far apart as possible.
- Minimum mount height between range top to hood bottom should be no less than 26".
- Maximum mount height should be no higher than 34".
- It is important to install the hood at the proper mounting height. Mounting the hood too low could result in heat damage and fire hazard. Mounting the hood too high will make it hard to reach and reduce its performance and efficiency.
- If available, also refer to the range manufacturer's height clearance requirements and recommended hood mounting height above range.

⚠ WARNING Fire Hazard

- NEVER exhaust air or terminate duct work into spaces between walls, crawl spaces, ceiling, attics or garages.
- All exhaust must be ducted to the outside.
- Use metal ductwork only.
- Fasten all connections with sheet metal screws and tape all joints with certified Silver Tape or Duct Tape.