

36 INCH PROFESSIONAL FRENCH DOOR REFRIGERATOR

TRF3601FD

COOK LIKE A GOD

THOR
K I T C H E N[®]

USE & CARE MANUAL

USE AND CARE MANUAL

36 INCH PROFESSIONAL REFRIGERATOR-FREEZER

TRF3601FD

THOR
K I T C H E N[®]

TABLE OF CONTENTS

1 Safety warnings	
1.1 Warning	1-2
1.2 Meanings of safety warning symbols	3
1.3 Electricity related warnings	3
1.4 Warnings for using	4
1.5 Warnings for placement	4-5
1.6 Warnings for energy	5
1.7 Warnings for disposal	5
2 Proper use of the refrigerator	
2.1 Placement	6
2.2 Levelling feet	7
2.3 Levelling door	8
2.4 Door handles	9
2.5 Adjustment of cantilever rack	10
2.6 Installing Filter	11
2.7 Installing the water line	12
2.8 Changing the Light	12
2.9 Starting	13
3 Structure and functions	
3.1 Key components	14-15
3.2 Functions	16-18
3.3 Fetching water and Ice	19
3.4 Disassembly of refrigerator door	20
4 Maintenance and care of the refrigerator	
4.1 Overall cleaning	21
4.2 Cleaning of door tray	21
4.3 Cleaning of drawers	22
4.4 Cleaning of ice storage box	23
4.5 Defrosting	24
4.6 Out of operation	24
5 Trouble shooting	
5.1 Trouble shooting	25
6 Warranty	28

1 SAFETY WARNINGS

1.1 Warning



Warning: risk of fire / flammable materials

THIS appliance is intended to be used in household and similar applications such as staff kitchen areas in shops, offices and other working environments; farm houses and by clients in hotels, motels and other residential type environments; bed and breakfast type environments; catering and similar non-retail applications.

THIS appliance is not intended for use by persons (including children) with reduced physical, sensory or mental capabilities, or lack of experience and knowledge, unless they have been given supervision or instruction concerning use of the appliance by a person responsible for their safety.) Children should be supervised to ensure that they do not play with the appliance.

IF the supply cord is damaged, it must be replaced by the manufacturer, its service agent or similarly qualified persons in order to avoid a hazard.

DO not store explosive substances such as aerosol cans with a flammable propellant in this appliance.

THE appliance has to be unplugged after use and before carrying out user maintenance on the appliance.

WARNING: Keep ventilation openings, in the appliance enclosure or in the built-in structure, clear of obstruction.

WARNING: Do not use mechanical devices or other means to accelerate the defrosting process, other than those recommended by the manufacturer.

WARNING: Do not damage the refrigerant circuit.

WARNING: Do not use electrical appliances inside the food storage compartments of the appliance, unless they are of the type recommended by the manufacturer.

WARNING: Please abandon the refrigerator according to local regulators for its use of flammable blowing gas and refrigerant.

WARNING: When positioning the appliance, ensure the supply cord is not trapped or damaged.

WARNING: Do not locate multiple portable socket-outlets or portable power supplies at the rear of the appliance.

DO not use extension cords or ungrounded (two prong) adapters.

WARNING: Risk of child entrapment. Before you throw away your old refrigerator or freezer:

-Take off the doors.

-Leave the shelves in place so that children may not easily climb inside.

THE refrigerator must be disconnected from the source of electrical supply before attempting the installation of accessory.

1 SAFETY WARNINGS

REFRIGERANT and cyclopentane foaming material used for the appliance are flammable. Therefore, when the appliance is scrapped, it shall be kept away from any fire source and be recovered by a special recovering company with corresponding qualification other than be disposed by combustion, so as to prevent damage to the environment or any other harm.

CHILDREN should be supervised to ensure that they do not play with the appliance.

WARNING: To avoid a hazard due to instability of the appliance, it must be fixed in accordance with the instructions.




WARNING: Connect to potable water supply only. (Suitable for ice making machine)

TO Prevent A Child From Being Entrapped, Keep Out Of Reach Of Children And Not In The Vicinity of freezer (or refrigerator). (Suitable for products with locks)
Minimum/Maximum inlet water pressure, 30/100 psig.

WARNING: Connect to potable water supply only.

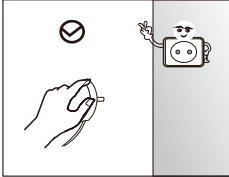
1 SAFETY WARNINGS

1.2 Meaning of safety warning symbols

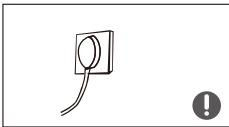
	This is a prohibition symbol. Any incomppliance with instructions marked with this symbol may result in damage to the product or endanger the personal safety of the user.
	This is a warning symbol. It is required to operate in strict observance of instructions marked with this symbol; or otherwise damage to the product or personal injury may be caused.
	This is a cautioning symbol. Instructions marked with this symbol require special caution. Insufficient caution may result in slight or moderate injury, or damage to the product.

This manual contains lots of important safety information which shall be observed by the users.

1.3 Electricity related warnings



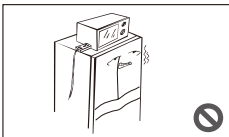
- Do not pull the power cord when pulling the power plug of the refrigerator. Please firmly grasp the plug and pull out it from the socket directly.
- To ensure safe use, do not damage the power cord or use the power cord when it is damaged or worn.



- Please use a dedicated power socket and the power socket shall not be shared with other electrical appliances. The power plug should be firmly contacted with the socket or else fires might be caused.
- Please ensure that the grounding electrode of the power socket is equipped with a reliable grounding line.



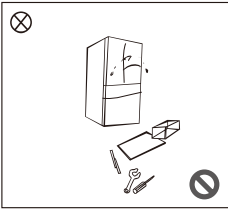
- Please turn off the valve of the leaking gas and then open the doors and windows in case of leakage of gas and other flammable gases. Do not unplug the refrigerator and other electrical appliances considering that spark may cause a fire.



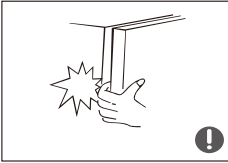
- Do not use electrical appliances on the top of the appliance, unless they are of the type recommended by the manufacturer.

1 SAFETY WARNINGS

1.4 Warnings for using



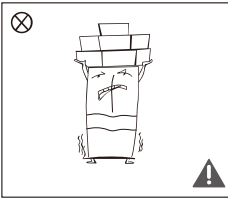
- Do not arbitrarily disassemble or reconstruct the refrigerator, nor damage the refrigerant circuit; maintenance of the appliance must be conducted by a specialist.
- Damaged power cord must be replaced by the manufacturer, its maintenance department or related professionals in order to avoid danger.



- The gaps between refrigerator doors and between doors and refrigerator body are small, be noted not to put your hand in these areas to prevent from squeezing the finger. Please be gentle when close the refrigerator door to avoid falling articles.
- Do not pick foods or containers with wet hands in the freezing chamber when the refrigerator is running, especially metal containers in order to avoid frostbite.

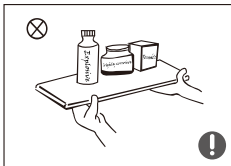


- Do not allow any child to get into or climb the refrigerator; otherwise suffocation or falling injury of the child may be caused.

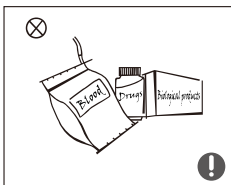


- Do not place heavy objects on the top of the refrigerator considering that objects may fall when close or open the door, and accidental injuries might be caused.
- Please pull out the plug in case of power failure or cleaning. Do not connect the freezer to power supply within five minutes to prevent damages to the compressor due to successive starts.

1.5 Warnings for placement of items

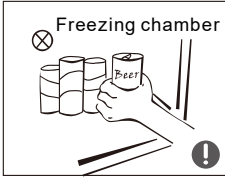


- Do not put flammable, explosive, volatile and highly corrosive items in the refrigerator to prevent damages to the product or fire accidents.
- Do not place flammable items near the refrigerator to avoid fires.



- The refrigerator is intended for household use, such as storage of foods; it shall not be used for other purposes, such as storage of blood, drugs or biological products, etc.

1 SAFETY WARNINGS



- Do not store beer, beverage or other fluid contained in bottles or enclosed containers in the freezing chamber of the refrigerator; or otherwise the bottles or enclosed containers may crack due to freezing to cause damages.

1.6 Warnings for energy

Warning for energy

- 1) Refrigerating appliances might not operate consistently (possibility of defrosting of contents or temperature becoming too warm in the frozen food compartment) when sited for an extended period of time below the cold end of the range of temperatures for which the refrigerating appliance is designed.
- 2) The fact that effervescent drinks should not be stored in food freezer compartments or cabinets or in low-temperature compartments or cabinets, and that some products such as water ices should not be consumed too cold;
- 3) The need to not exceed the storage time(s) recommended by the food manufacturers for any kind of food and particularly for commercially quick-frozen food in food-freezer and frozen-food storage compartments or cabinets;
- 4) The precautions necessary to prevent an undue rise in the temperature of the frozen food while defrosting the refrigerating appliance, such as wrapping the frozen food in several layers of newspaper.
- 5) The fact that a rise in temperature of the frozen food during manual defrosting, maintenance or cleaning could shorten the storage life.
- 6) The necessity that, for doors or lids fitted with locks and keys, the keys be kept out of the reach of children and not in the vicinity of the refrigerating appliance, in order to prevent children from being locked inside.

Energy saving tips

The appliance should be located in the coolest area of the room, away from heat producing appliances or heating ducts, and out of the direct sunlight.

Let hot foods cool to room temperature before placing in the appliance. Overloading the appliance forces the compressor to run longer. Foods that freeze too slowly may lose quality, or spoil.

Be sure to wrap foods properly, and wipe containers dry before placing them in the appliance. This cuts down on frost build-up inside the appliance.

Appliance storage bin should not be lined with aluminum foil, wax paper, or paper toweling. Liners interfere with cold air circulation, making the appliance less efficient.

Organize and label food to reduce door openings and extended searches. Remove as many items as needed at one time, and close the door as soon as possible.

1.7 Warnings for disposal

Refrigerant and cyclopentane foaming material used for the refrigerator are flammable.

Therefore, when the refrigerator is scrapped, it shall be kept away from any fire source and be recovered by a special recovering company with corresponding qualification other than be disposed by combustion, so as to prevent damage to the environment or any other harm.



When the refrigerator is scrapped, disassemble the doors, and remove gasket of door and shelves; put the doors and shelves in a proper place, so as to prevent trapping of any child.



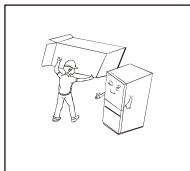
Correct Disposal of this product:

This marking indicates that this product should not be disposed with other household wastes throughout the EU. To prevent possible harm to the environment or human health from uncontrolled waste disposal, recycle it responsibly to promote the sustainable reuse of material resources. To return your used device, please use the return and collection systems or contact the retailer where the product was purchased. They can take this product for environmental safe recycling.

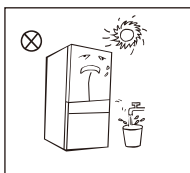
This refrigerator can not be hooked up to a GFCI outlet.

2 PROPER USE OF REFRIGERATORS

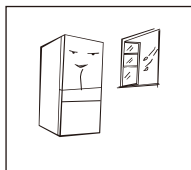
2.1 Placement



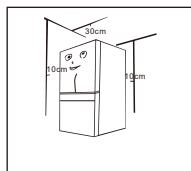
- Keep the refrigerator upright to avoid being extruded or vibrated during transportation. Avoid over 45 degrees during tilt angle handling. Avoid excessive stress on the door or top cover when the refrigerator is moved; in addition, it may deform. Before use, remove all packing materials, including bottom cushions, foam pads and tapes inside of the refrigerator; tear off the protective film on the doors and the refrigerator body.



- Keep away from heat and avoid direct sunlight. Do not place the freezer in moist or watery places to prevent rust or reduction of insulating effect.



- The refrigerator is placed in a well-ventilated indoor place; the ground shall be flat, and sturdy (rotate left or right to adjust the wheel for levelling if unstable).



- The top space of the refrigerator shall be greater than 30cm, and the refrigerator should be placed against a wall with a free distance more than 10cm to facilitate the heat dissipation.

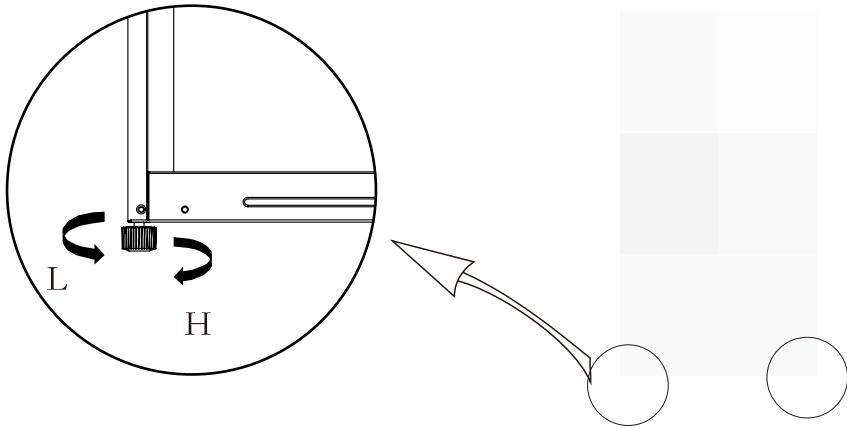
ⓘ Precautions before installation:

Before installation or adjusting of accessories, it shall be ensured that the refrigerator is disconnected from power.

Precautions shall be taken to prevent fall of the handle from causing any personal injury.

2 PROPER USE OF REFRIGERATORS

2.2 Levelling feet




(The picture above is only for reference. The actual configuration will depend on the physical product or statement by the distributor)

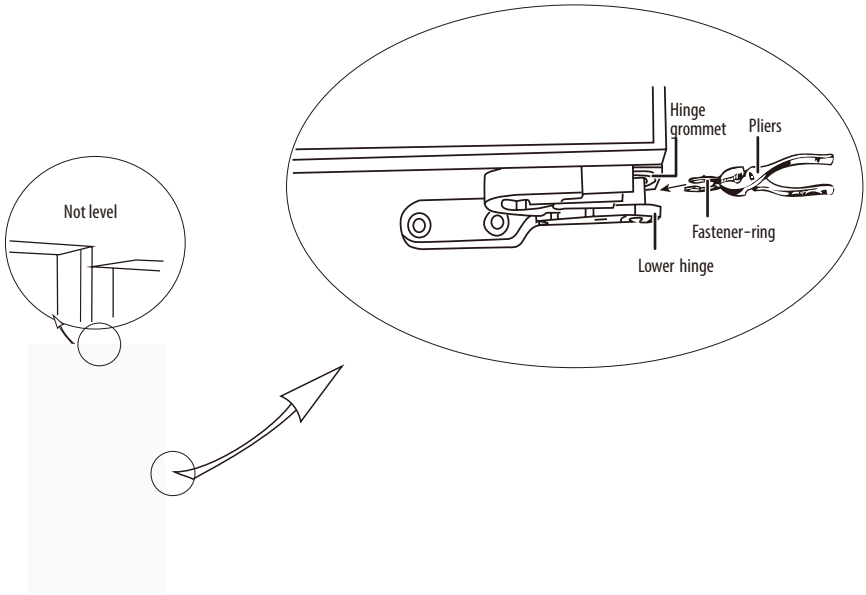
Adjusting procedures:

- Turn the feet clockwise to raise the refrigerator;
- Turn the feet counterclockwise to lower the refrigerator;
- Adjust the right and left feet based on the procedures above to a horizontal level.

2 PROPER USE OF REFRIGERATORS

2.3 Levelling door

List of tools to be provided by the user	
	plier



(The picture above is only for reference. The actual configuration will depend on the physical product or statement by the distributor)

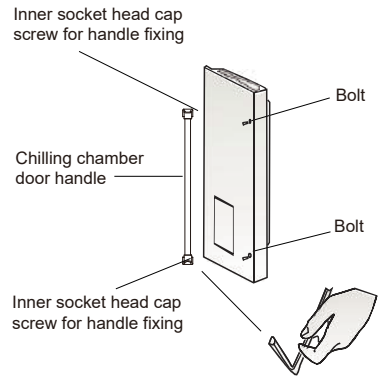
- 1) Raise the lower door up to the level of the higher door.
- 2) Insert the supplied fastener-ring by using plier in the gap between the hinge-grommet and the lower hinge. The number of fasten-rings you will need to insert depends on the gap.

2 PROPER USE OF REFRIGERATORS

2.4 Door handles

Assembly Instructions of Cold Storage Door Handle:

1. Take the handle set bolts out from the refrigerator, use cross recessed screwdriver to set the bolt on the door. Fix it tight with all the screw thread twisted through the hole, as shown in the figure;
2. After the first step is completed, take the Cold storage door handle out from the box, place it as per direction shown in the figure (Note: i.e. the direction which both screw holes on the handle are close to the edge), and hang the handle above the set bolt;
3. Use the small hexagon spanner supplied in the box to set the handle fixing socket head cap screws into both the small screwed holes on the handle. After they are screwed down, gently shake the handle to test if the handles are well erected.



Scheme of installation of cold storage door handle

Assembly Instructions of The Refrigeration Door Handle:

The assembly steps of the refrigeration door handle are same as the cold storage door handle. Please note, the direction of tapping holds are downward to the ground when assemble the refrigerator.

2 PROPER USE OF REFRIGERATORS

2.5 Adjustment of cantilever rack



Adjustment of cantilever rack

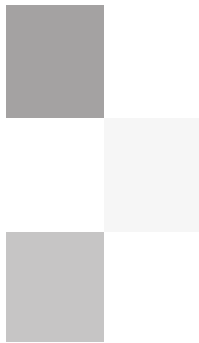
The cantilever rack could be adjusted to the proper height as required by food.

Please adjust the cantilever rack by following the arrows as shown in the diagram.

Raise it upward first and then take it out by tilting it upward. During installation,

put the upper end of the fixed leg into one of the upper slots on the supporting iron first

and then put the lower end of the fixed leg into the third slot on the lower part of the supporting iron.



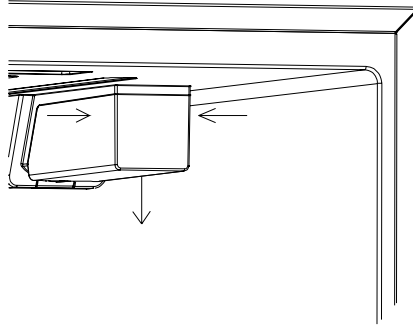
Height adjustment and cleaning of door-mounted bottle rack

Raise the bottle rack in the direction, hold it with both hands and take it out in the direction.

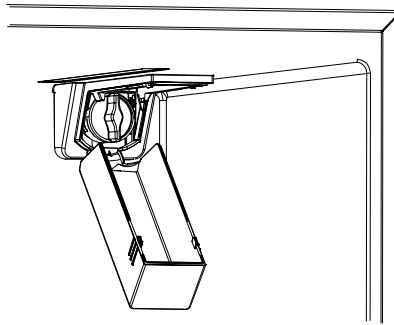
After cleaning, you can install the rack in the reverse order and you can also adjust the height of the rack.

2 PROPER USE OF REFRIGERATORS

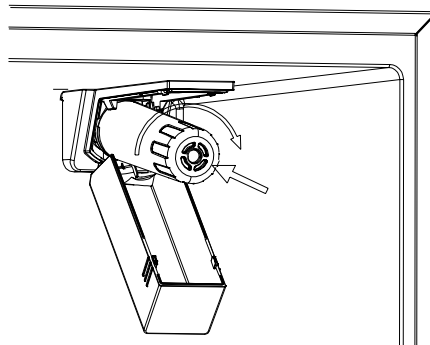
2.6 Installing Filter (WF200)



1. When the refrigerator is used for the first time, press down the marks on both sides of the filter cover by hand and open the filter cover downward;



2. Then rotate the dustproof plug anticlockwise and remove the dustproof plug;



3. Remove the exterior package of the filter, rotate the filter clockwise and press the filter element, and install the filter element at the joint position of the refrigerator filter until the filter element can not rotate;

4. When the filter sign luminaire in the display panel is on, it prompts to replace the filter element. The method of removing the filter element is the same as that of removing the dustproof plug;

5. The filter is recommended to be replaced every half a year.

2 PROPER USE OF REFRIGERATORS

2.7 Installing the water line

Water connection



WARNING

Risk of electric shock and damage to the appliance!
Disconnect the appliance from the power source before performing any work on the water connection.

Only a qualified installation technician may connect the appliance to the water supply in accordance with plumbing and relevant water utility company regulations.

Connect the appliance to a drinking water line only:

- Minimum pressure:
0.21 MPa (2.07 bar, 30 psi)
- Maximum pressure:
0.69 MPa (6.89 bar, 100 psi)
- Pressure over 0.69 MPa (6.89 bar, 100 psi):
install a pressure limiter between drinking water connection and hose set.

The water should be connected only by a competent plumber according to the local regulations of the appropriate Water Supply company.

A cold water connection is necessary for operating the ice maker. The water pressure must be between 0.21 MPa (2.07 bar, 30 psi) and 0.69 MPa (6.89 bar, 100 psi). The installation must correspond to the local plumbing regulations.

A separate Shut-Off-Valve should be installed in the cold-water inflow.

The Shut-Off-Valve should not be located behind the appliance. It is recommended that you mount the Shut-Off-Valve directly next to the appliance or at another place that is easily accessible.

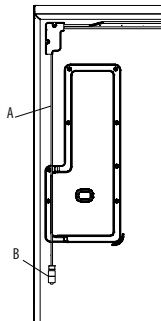
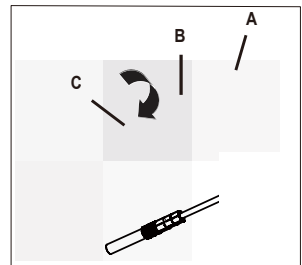
When installing the water connection, pay attention to the permissible installation area for the water line.

For connection to the drinking water line use only water pipes that are suitable for drinking water. Observe national regulations and the connection conditions of the local Water Supply companies.

Connecting the water line

Most homes are equipped with water line installation parts. If yours is not or needs replacing, water line installation kits are available to purchase from a hardware store/dealer.

1. Shut off the main water supply line.
2. Install a shut-off valve and water line 1/4" x 1/4" compression thread (UNS 7/16-24), accessible with product in place. Refer to local code and instructions with water line installation kit (not included).
3. Connect the newly installed water supply line (C) to the refrigerator water inlet connector (B), tighten using tool.
4. Gently tug on the supply waterline to ensure a proper fit and risk of damage when pulling or pushing the unit for cleaning.
5. Turn main water back on and check for leaks.



2.8 Changing the Light

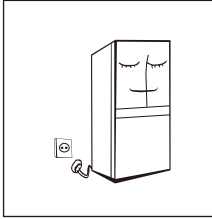
Any replacement or maintenance of the LED lamps is intended to be made by the manufacturer, its service agent or similar qualified person.

2 PROPER USE OF REFRIGERATORS

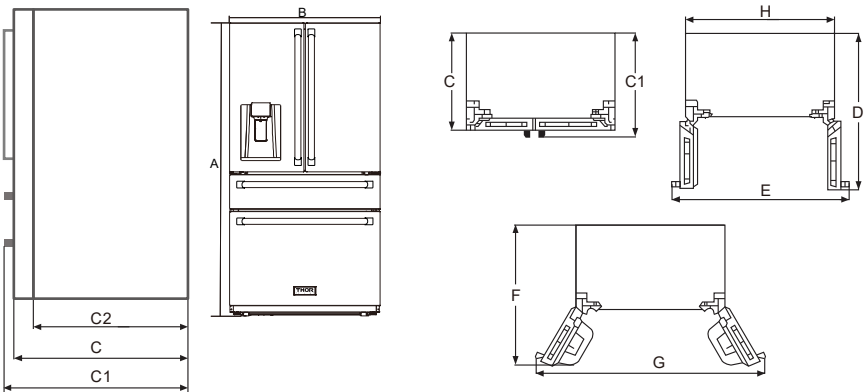
2.8 Changing the Light

Any replacement or maintenance of the LED lamps is intended to be made by the manufacturer, its service agent or similar qualified person.

2.9 Starting to use



- Before initial start, keep the refrigerator still for two hours before connecting it to power supply.
- Before putting any fresh or frozen foods, the refrigerator shall have run for 2-3 hours, or for above 4 hours in summer when the ambient temperature is high.

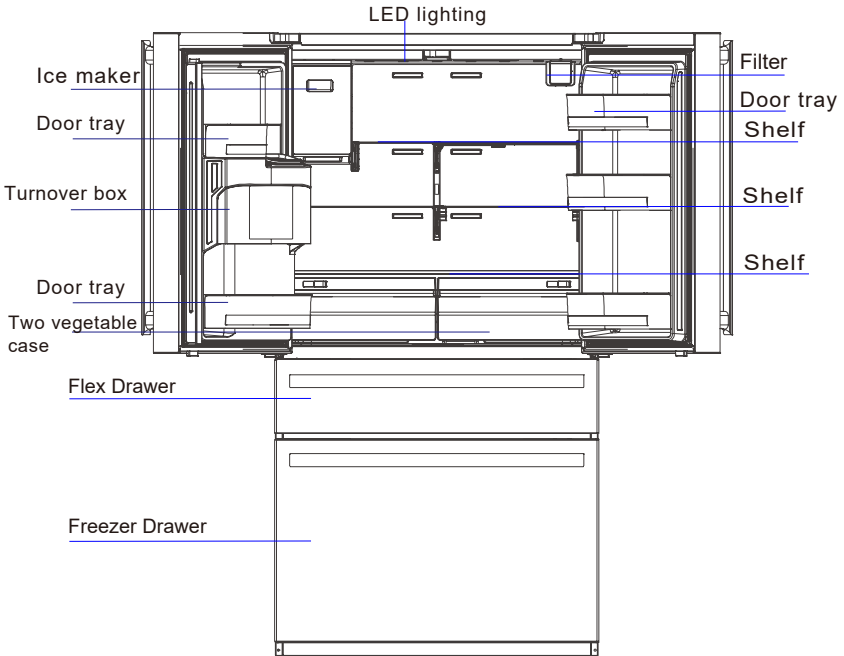


	CODE	SIZE (IN)	SIZE(mm)
Height	A	69 13/16"	1772.7
Width	B	35 13/16"	910
Depth without Doors	C2	24 7/16"	620
Depth with Handles	C1	31 3/4"	807
Depth	C	29	737
Door open 90° Depth	D	43 3/16"	1096.5
Door open 90° Width	E	45 15/16"	1166
Door open 130° Depth	F	41 5/8"	1058
Door open 130° Width	G	63 5/8"	1617
Width	H	35 5/8"	905

3 STRUCTURE AND FUNCTIONS

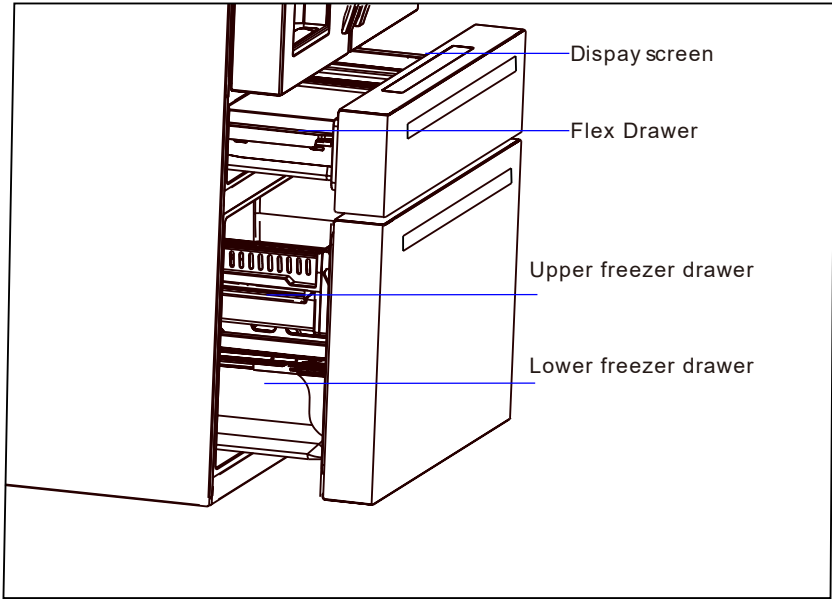
3.1 Key components

(Refrigerating chamber)



(The picture above is only for reference. The actual configuration will depend on the physical product or statement by the distributor)

3 STRUCTURE AND FUNCTIONS



(The picture above is only for reference. The actual configuration will depend on the physical product or statement by the distributor)

Refrigerating chamber

- The Refrigerating Chamber is suitable for storage of a variety of fruits, vegetables, beverages and other food consumed in the short term.
- Cooking foods shall not be put in the refrigerating chamber until cooled to room temperature.
- Foods are recommended to be sealed up before putting into the refrigerator.
- The glass shelves can be adjusted up or down for a reasonable amount of storage space and easy use.

Freezing chamber

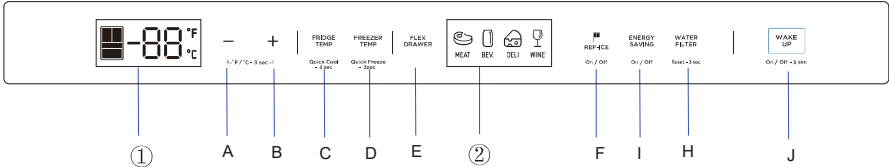
- The low temperature freezing chamber may keep food fresh for a long time and it is mainly used to store frozen foods and making ice.
- The freezing chamber is suitable for storage of meat, fish, rice balls and other foods not to be consumed in short term.
- Chunks of meat are preferably to be divided into small pieces for quick freezing and easy access. Please be noted food shall be consumed within the shelf time.

Flex Drawer

- The flex drawer temperature can be adjusted in $-1\text{ }^{\circ}\text{C}/30\text{ }^{\circ}\text{F}$, $1\text{ }^{\circ}\text{C}/34\text{ }^{\circ}\text{F}$, $3\text{ }^{\circ}\text{C}/37\text{ }^{\circ}\text{F}$ and $5\text{ }^{\circ}\text{C}/41\text{ }^{\circ}\text{F}$, and the appropriate temperature can be selected according to the needs of different foods.
- When flex drawer temperature is set at $-1\text{ }^{\circ}\text{C}/30\text{ }^{\circ}\text{F}$, it is suitable to store meat.
- When flex drawer temperature is set at $1\text{ }^{\circ}\text{C}/34\text{ }^{\circ}\text{F}$, it is suitable to store drinks.
- When flex drawer temperature is set at $3\text{ }^{\circ}\text{C}/37\text{ }^{\circ}\text{F}$, it is suitable to store cooked food.
- When flex drainer temperature is set at $5\text{ }^{\circ}\text{C}/41\text{ }^{\circ}\text{F}$, it is suitable to stored wine.

3 STRUCTURE AND FUNCTIONS

3.2 Functions



(The picture above is only for reference. The actual configuration will depend on the physical product or statement by the distributor)

Display screen

① Temperature zone display ② Temperature shift gear

Operation key

A. Temperature downward B. Temperature upward C. Refrigerating chamber button
 D. Freezing chamber button E. Flex Drawer button F. Initial button for refrigerating the madeice
 H. Filter prompt I. Energy saving Mode J. Lock button

Display

1) Main display control (display control on drawer door)

When the power is on for the first time, the icons will be semi-bright and fully displayed and scrolled from left to right.

Then the icons will be fully highlighted and fully displayed for 3 seconds. At the same time, the start-up bell will ring, and then the display will enter normal operation. (When the refrigerator is energized for the first power, the temperature of refrigerating chamber, freezing chamber and flex drawer is set at 39°F/0°F/37°F respectively).

Under normal conditions, if there is no door opening action and no key operation for 30 seconds, then the display will be locked, and the display will be off after 30 seconds at locking status;

When the display screen is not on, if any key is pressed, the display screen will be on normally;

2) Distributor display and control

When the refrigerator is energized for the first time, the distributor display and control will be fully displayed for 3 seconds and then it enters the normal operation display (water outlet function is default option when the refrigerator is energized for the first time);

Locking and unlocking

In the unlocking state, press and hold the locking key for 3 seconds to enter the locking state and the locking buzzer beeps.

In the locking state, press and hold the locking key for 3 seconds to enter the unlocking state and the unlocking buzzer beeps.

If no key is pressed after 30 seconds, the display screen enters the locking state automatically.

Temperature setting of refrigerating chamber

Press the refrigerating key to select the refrigerating temperature zone, and then press the "-" and "+" temperature regulation keys to adjust the temperature of the refrigerating chamber. The "-" key is pressed once the temperature will drop by 1°C/1°F. After the temperature reaches 1°C/34 °F, the "-" key will be invalid no matter how it is pressed.

The "+" key is pressed once the temperature will rise by 1°C/1°F. After the temperature reaches 7°C/44 °F, the "+" key will be invalid no matter how it is pressed. The temperature setting range of refrigerating chamber 1°C /34 °F ~ 7 °C/44 °F. The setting will take effect after locking.

3 STRUCTURE AND FUNCTIONS

Temperature setting of flex drawer

Press the flex drawer key to select temperature shift zone, and press the temperature shift key again to adjust the temperature of flex drawer. The temperature shift key is pressed once, the temperature will be increased by 1 gear, When the temperature is increased to WINE (4th gear), press the temperature shift key again, the temperature will return to MEAT(1st gear). The corresponding temperature settings of each gear are MEAT(-1°C/30°F), BEV (1°C/34°F), DELI (3°C/37°F), and WINE (5 °C/ 41°F).The settings will take effect after locking.

Temperature setting of freezing chamber

Press the freezing key to select the freezing temperature zone, and then press the“-” and “+” temperature regulation keys to adjust the temperature of the freezing chamber. The“-” key is pressed once the temperature will drop by 1°C/1°F. After the temperature reaches -22°C/-7 °F, the“-” key will be invalid no matter how it is pressed. The “+” key is pressed once the temperature will rise by 1°C/1°F.

After the temperature reaches -14°C/7 °F, the “-” key will be invalid no matter how it is pressed. The temperature setting range of freezing chamber -22°C /-7 °F ~ -14 °C/7 °F. The setting will take effect after locking.

Switching between Fahrenheit temperature and Celsius temperature

The composite key of “+” and “-” is pressed for 3s, Fahrenheit temperature and Celsius temperature are switched and it will take effect after locking;

State setting of distributor

Touch the key of the corresponding mode to select ice cube mode / water drainage mode / ice breaking mode.

After the corresponding function is selected, the indicator light of the corresponding mode will be on. Water will be drained out immediately after water drainage mode is selected. Ice is drained out 3 seconds after the switch of ice cube mode /ice breaking mode is pressed.

Control of distributor lamp

When the distributor switch is switched on, the distributor lamp will be on; when the distributor switch is disconnected, the distributor lamp will be off after 3S delay;

Press the REF-ICE key to turn on the backlight and the refrigerating ice maker; press the REF-ICE key again to turn off the backlight and the refrigerating ice maker. It will take effect after locking;

Note: When the refrigerating ice maker is on, the ice maker will turn over the ice into the ice making chamber if the ice storage box is removed and the ice maker is currently turning over the ice;

Tips for replacing filter

When the filter is used for more than 150 days and the backlight is always on, or when the filter is used for more than 180 days and the backlight flashes, press WATER-FILTER key for 3s to clear the alarm settings and re-time it.

The buzzer rings for 3 times at the same time.

Mode setting

Quick cooling mode

Press and hold the refrigeration key for 3s to enter the quick cooling mode. At the same time, the icon of the refrigerating chamber turns blue. The quick cooling mode will take effect after being locked;

At the time of setting the quick cooling mode, the temperature of refrigerating chamber is automatically set at 1°C/34°F;

when the quick cooling mode is exited, the set temperature of the refrigerating chamber automatically returns to the set temperature before the quick cooling mode.

Quick-freezing mode

Press and hold the freezing key to enter the quick cooling mode. At the same time, the icon of the freezing chamber turns blue. The quick cooling mode will take effect after being locked;

At the time of setting the quick cooling mode, the temperature of refrigerating chamber is automatically set at -22°C/-8°F;

when the quick cooling mode is exited, the set temperature of the refrigerating chamber automatically returns to the set temperature before the quick cooling mode.

3 STRUCTURE AND FUNCTIONS

ECO mode

Press ENERGY SAVING key to enter the ECO mode, and the backlight will be on; the quick-freezing mode is cancelled at the same time. The quick freezing is controlled at - 14°C/7°F and refrigerating at 7°C/45°F. Press the ENERGY SAVING key again to exit the ECO mode, the backlight will be off, and the temperature of freezing and refrigerating will return to the set temperature before entering the ECO mode. The mode will take effect after locking;

Anti-condensation heater strip

The anti-condensation heater strip could be turned on and off via combined button, by pressing “ENERGY SAVING +FREEZER-TEMP” for 3 seconds, the Fahrenheit symbol will blink, it will take effect by pressing the locking key, and the anti-condensation heater strip will be turned off;

When the anti-condensation heater strip is off, by pressing “ENERGY SAVING +FREEZER-TEMP” for 3 seconds, the Fahrenheit symbol will no long blink, it will take effect by pressing the locking key, and the anti-condensation heater strip will be turned on;

The on and off anti-condensation heater strip are for the inspection and maintenance convenience; users shall not easily turn off the anti-condensation heater strip, as it will cause the risk of condensation.

Fault

When there is a fault, the tube displays the fault code (cycle display after locking), and the buzzer rings the alarm sound; press any key when unlocking or locking, the alarm sound can be released; after the corresponding sensor / ice maker fault is eliminated by maintenance, the tube will clear the corresponding fault status code; When any door is opened for more than 2 minutes, the buzzer will sound an alarm sound; when the door is locked / unlocked, press any key to clear the alarm sound, or close all doors, the alarm sound is released.

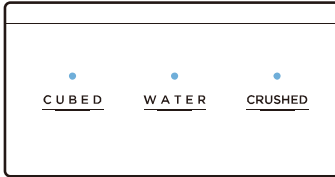
Fault code	Fault name
EH	The humidity sensor fails
F5	Refrigerating ice maker fails to turn over ice
F4	The sensor at the bottom of refrigerating ice maker fails
CC	The defrosting sensor in ice making chamber fails
C9	The sensor in ice making chamber fails
CA	The communication between main control board and ice making board fails
F6	The initialization of refrigerating ice maker fails
E0	The initialization of freezing ice maker fails
E1	The temperature sensor in the refrigerating chamber fails
E2	The temperature sensor in the freezing chamber fails
E3	The sensor of the Flex Drawer fails
E4	Frosting sensor for refrigerating fails
E5	Frosting sensor for freezing fails
E6	The communication between display board and main control board fails
E7	The ambient temperature fails

3 STRUCTURE AND FUNCTIONS

3.3 Fetching water and Ice

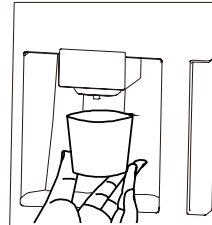
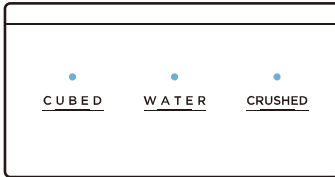
- The ice/water dispenser is located on the outside of refrigerating chamber door. It offers a choice of cubed or crushed ice, or cold water. The dispenser only works when the refrigerating chamber door is closed.

1) Fetching cold water



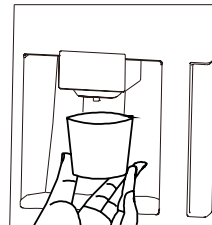
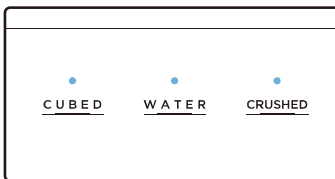
- Keep pressing the buttons WATER until the indicator turns on.
- Push the container in the direction of fetching water cushion, Cold water starts to flow into the container. Remove the container from fetching water cushion and end the exporting of water.

2) Fetching crushed ice



- Keep pressing the buttons of CRUSHED until the signal turns up.
Make the container tight with mouth of water dispenser to prevent the side jet.
Press the container in the direction of fetching water cushion . Fill the container with crushed ice.
Remove the container from fetching water cushion and end the exporting of water.

3) Fetching ice cubes



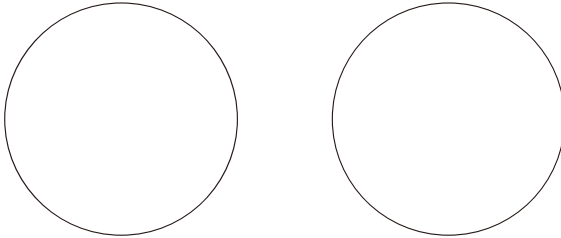
- Keep pressing the buttons CUBED until the signal lights up.
Push the container in the direction of fetching water cushion.
Ice cubes start to fall into the container.
Remove the container from fetching water cushion and end the exporting of ice.

(The picture above is only for reference. The actual configuration will depend on the physical product or statement by the distributor)

3 STRUCTURE AND FUNCTIONS

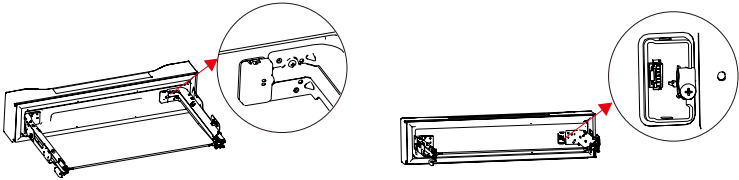
3.4 Disassembly of refrigerator door

1. Use screwdriver to remove the 2 pcs screws, and then remove the upper hinge cover of the Left do . See Figure 1.
2. Use the screwdriver to loosen the 3 screws and 1 earth screw fixing the upper hinge, then remove the pl terminal and then remove the Left door body. See Figure 2.
3. For the Right do , there is no earth screw. Follow the rest of the steps for the Left door.
4. For a draw , first remove the security block for the stopper by hand. See Figure 3.
5. Press the lock buttons of both the left and right glide rails and slowly pull the drawer out. See Figure



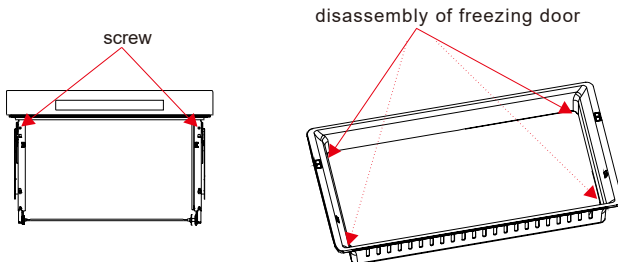
Method for disassembly of variable temperature door:

1. Remove the variable temperature drawer;
2. Pull the variable temperature door to the maximum stroke, demount harness cover with screwdriver or electronic runner for screw fixation, and remove the harness cover;
3. Demount harness with screwdriver or electronic runner for fixation and clamping with screw, and unplug the connecting terminal;
4. Demount the screw on the left and right slideway support with screwdriver or electronic runner, and it is best for one person to hold the door against falling in the process;
5. Lift the door to a certain angle with both hands and pull back, and then the variable temperature door disassembly can be achieved.



Method for disassembly of freezing door:


1. Remove the freezing drawer;
2. Demount the screw on the left and right slideway support with screwdriver or electronic runner, and it is best for one person to hold the door against falling in the process;
3. Lift the door to a certain angle with both hands and pull back, and then the variable temperature door disassembly can be achieved.



4. MAINTENANCE AND CARE OF THE REFRIGERATORS

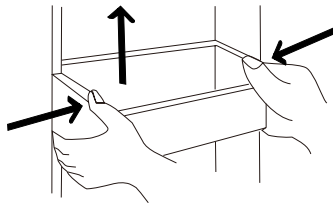
4.1 Overall cleaning

- Dusts behind the refrigerator and on the ground shall be timely cleaned to improve the cooling effect and energy saving.
- Check the door gasket regularly to make sure there are no debris. Clean the door gasket with a soft cloth dampened with soapy water or diluted detergent.
- The interior of the refrigerator should be cleaned regularly to avoid odor.
- Please turn off the power before cleaning interior, remove all foods, drinks ,shelves, drawers, etc.
- Use a soft cloth or sponge to clean the inside of the refrigerator, with two tablespoons of baking soda and a quart of warm water. Then rinse with water and wipe clean. After cleaning, open the door and let it dry naturally before turning on the power.
- For areas that are difficult to clean in the refrigerator (such as narrow sandwiches, gaps or corners), it is recommended to wipe them regularly with a soft rag, soft brush, etc. and when necessary, combined with some auxiliary tools (such as thin sticks) to ensure no contaminants or bacterials accumulation in these areas.
- Do not use soap, detergent, scrub powder, spray cleaner, etc., as these may cause odors in the interior of the refrigerator or contaminated food.
- Clean the bottle frame, shelves and drawers with a soft cloth dampened with soapy water or diluted detergent. Dry with a soft cloth or dry naturally.
- Wipe the outer surface of the refrigerator with a soft cloth dampened with soapy water, detergent, etc., and then wipe dry.
- Do not use hard brushes, clean steel balls, wire brushes, abrasives (such as toothpastes), organic solvents (such as alcohol, acetone, banana oil, etc.), boiling water, acid or alkaline items, which may damage the fridge surface and interior. Boiling water and organic solvents such as benzene may deform or damage plastic parts.
- Do not rinse directly with water or other liquids during cleaning to avoid short circuits or affect electrical insulation after immersion.

 Please unplug the refrigerator for defrost and cleaning.



4.2 Cleaning of door tray



(The picture above is only for reference. The actual configuration will depend on the physical product or statement by the distributor)

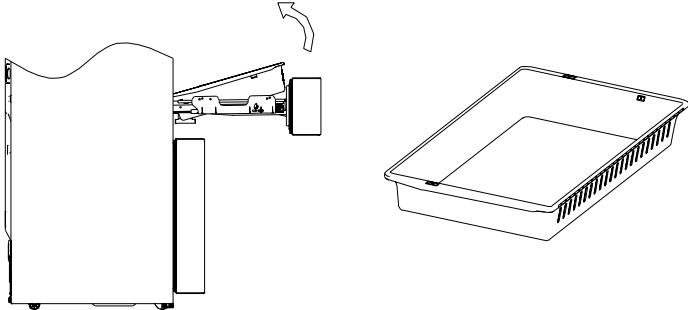
- According to the direction arrow in the figure below, use both hands to squeeze the tray, and push it upward, then you can take it out.
- After washing the tray having been taken out, you can adjust its installing height in accordance with your requirement.

4. MAINTENANCE AND CARE OF THE REFRIGERATORS

4.3 Cleaning of drawers

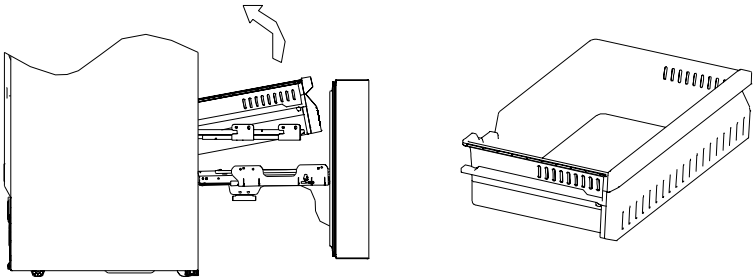
Drawing and stretching variable temperature drawer

Open the variable temperature door to the maximum stroke, hold the left and right sides of the variable temperature drawer with both hands, lift the tail, exert a little force to pull the whole drawer back for about 15mm until the support claw of the slide rail is separated from the drawer, then lift the front end of the drawer at a certain angle, hold the drawer and move horizontally to the inside of the chamber, and then rotate it back and up to remove the drawer.



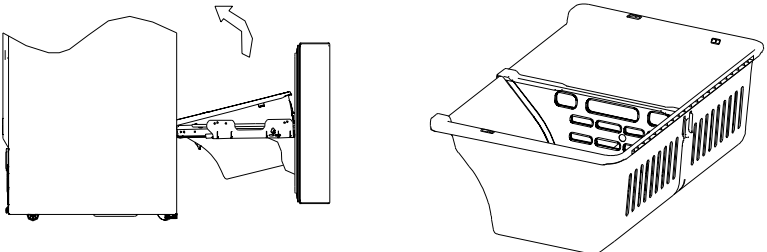
Upper freezer drawer

Open the freezing chamber door to the maximum stroke, lift the tail of the upper drawer of the freezing chamber, pull the slide rail so that it can not jump, push the drawer forward to separate the drawer from the support claw of the slide rail. Separate the drawer on the side from the support claw of the slide rail with the same method. Rotate the drawer it back and up to remove it after the slide rail support is separated from the drawer.



Upper freezer drawer

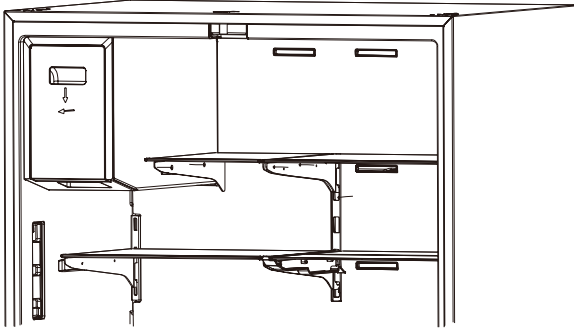
Open the freezing chamber door to the maximum stroke, hold the left and right sides of the lower drawer of the freezing chamber, lift the tail of the drawer to pull the whole drawer about 15mm to the external side of the chamber until the sliding rail support claw is separated from the drawer, and rotate the drawer back and up to take it out.



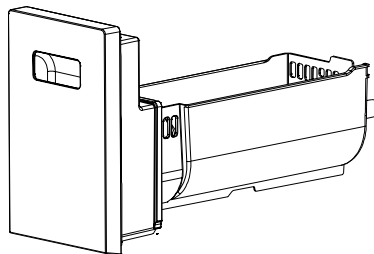
4. MAINTENANCE AND CARE OF THE REFRIGERATORS

4.4 Cleaning of ice storage box

The ice storage box may be removed when a large quantity of ice is needed, for cleaning, or for any other specific requirements. Please ensure that it is returned promptly after use.



1. To remove the ice storage box, grasp the handle and gently pull it out horizontally. The Storage box should slide out smoothly;



2. Push the ice storage box in slightly after cleaning.

Note: Please remove the ice in time which falls in the ice making chamber during pulling out.

4. MAINTENANCE AND CARE OF THE REFRIGERATORS

4.5 Defrosting

- The refrigerator is made based on the air-cooling principle and thus has automatic defrosting function. Frost formed due to change of season or temperature may also be manually removed by disconnection of the appliance from power supply or by wiping with a dry towel.

4.6 Out of operation

- Power failure: In case of power failure, even if it is in summer, foods inside the appliance can be kept for several hours; during the power failure, the times of door opening shall be reduced, and no more fresh food shall be put into the appliance.
- Long-time nonuse: The appliance shall be unplugged and then cleaned; then the doors are left open to prevent odor.
- Moving: Before the refrigerator is moved, take all objects inside out, fix the glass partitions, vegetable holder, freezing chamber drawers and etc. with tape, and tighten the levelling feet; close the doors and fix them with tape. During moving, the appliance shall not be laid upside down or horizontally, or be vibrated; the inclination during movement shall be no more than 45°.

5 TROUBLE SHOOTING

5•1 You may try to solve the following simple problems by yourself.
If them cannot be solved, please contact the after-sales department.

Failed operation	<p>Check whether the appliance is connected to power or whether the plug is in well contact</p> <p>Check whether the voltage is too low</p> <p>Check whether there is a power failure or partial circuits have tripped</p>
Odor	<p>Odorous foods shall be tightly wrapped</p> <p>Check whether there is any rotten food</p> <p>Clean the inside of the refrigerator</p>
Long-time operation of the compressor	<p>Long operation of the refrigerator is normal in summer when the ambient temperature is high</p> <p>It is not suggestible having too much food in the appliance at the same time</p> <p>Food shall get cool before being put into the appliance</p> <p>The doors are opened too frequently</p>
Light fails to get lit	<p>Check whether the refrigerator is connected to power supply and whether the illuminating light is damaged</p> <p>Have the light replaced by a specialist</p>
Doors cannot be properly closed	<p>The door is stuck by food packages</p> <p>Too much food is placed</p> <p>The refrigerator is tilted</p>
Loud noise	<p>Check whether the floor is level and whether the refrigerator is placed stably</p> <p>Check whether accessories are placed at proper locations</p>
Door seal fails to be tight	<p>Remove foreign matters on the door seal</p> <p>Heat the door seal and then cool it for restoration (or blow it with an electrical drier or use a hot towel for heating)</p>
Water pan overflows	<p>There is too much food in the chamber or food stored contains too much water, resulting in heavy defrosting</p> <p>The doors are not closed properly, resulting in frosting due to entry of air and increased water due to defrosting</p>
Hot housing	<p>Heat dissipation of the built-in condenser via the housing, which is normal</p> <p>When housing becomes hot due to high ambient temperature, storage of too much food or shutdown of the compressor is shut down, provide sound ventilation to facilitate heat dissipation</p>
Surface condensation	<p>Condensation on the exterior surface and door seals of the refrigerator is normal when the ambient humidity is too high. Just wipe the condensate with a clean towel.</p>
Abnormal noise	<p>Buzz: The compressor may produce buzzes during operation, and the buzzes are loud particularly upon start or stop. This is normal.</p> <p>Creak: Refrigerant flowing inside of the appliance may produce creak, which is normal.</p>

5 TROUBLE SHOOTING

<p>Ice maker does not make ice</p>	<p>After you install the water line and start the refrigerator, it takes 12 hours to start ice making Please turn on the ice making function (see the UI instructions) Check whether the water pressure meets 30-100psi and whether the water line is connected normally, Check whether the water supply valve is open and whether the water pipe is bent Check whether the ice storage box is installed,</p>
<p>No ice is drained out</p>	<p>Check whether there is ice in the ice storage box. Check whether the ice melts and adheres. If the ice is not used for a long time, please empty the ice storage box and turn off the ice maker. Check whether the water line is connected normally, whether the water supply valve is opened, and whether the water pipe is bent. The ice discharging function can only be used when the refrigerating chamber door is closed. Check whether the ice storage box is installed. Check whether the ice storage box is installed,</p>
<p>No water is discharged out</p>	<p>Check whether the water line is connected normally, whether the water supply valve is opened, and whether the water pipe is bent. The filter or dustproof plug must be installed before water can be discharged. Check whether the filter or dustproof plug is installed in place.</p>
<p>The speed of draining water out is slow</p>	<p>Check whether the water pressure meets 30-100psi Please replace the filter</p>
<p>Water drips from the water dispenser</p>	<p>It is normal that a few drops of water drips from the water dispenser. However, if water keeps dripping, please check the connection of the water line.</p>
<p>The water tastes bad</p>	<p>If the refrigerator is not used for more than four days, drain at least one gallon of water Replace the filter in time.</p>

5 TROUBLE SHOOTING

Water leak	<ol style="list-style-type: none"> 1. Water Filter: If the refrigerator sustained to leak after connecting water, and the leakage is large and obvious, replace the filter connector. 2. AC Water Valve: If the leakage is large and obvious, check whether the water valve seal structure failure; if yes, replace the water valve. 3. Water Tank: If the water leakage is not obvious, water leakage happened when the dispenser is used and the water leakage is small, and it accumulates at the bottom of the cold room, please replace the tank. 4. Check whether the cut of the water pipe is uneven or burr. If yes, please cut the water pipe and make it flat. 5. If the surface of the water pipe is damaged after repeated reinsertion and removal, cut off the damaged water pipe. 6. If the water pipe is not properly inserted, please insert it into the marked position.
No flow water	<ol style="list-style-type: none"> 1. Test the distributor function: press the dispenser plate to see whether the distributor light is on, press the ice button to find whether the ice motor is working. 2. In order to verify whether the water pipes in the refrigerator room are frozen or not, consumer can power off the refrigerator, and test whether water comes out after opening the door for 1h. 3. Water valve fault: After removing the possibility of freezing water pipes, replace the water valve and test whether the water outlet is normal. 4. Ice plate failure: replace ice plate test. 5. Check whether the unidirectional connector is connected backwards.
Slow water outflow	<ol style="list-style-type: none"> 1. Change the water filter. 2. Check whether the pipe was broken or not. 3. Check whether the water pressure is normal or not.
No ice (fault code)	<ol style="list-style-type: none"> 1. F4/EE etc. means Ice making sensor fault, need to check whether the sensor was not insert well. 2. E0/F6 means Ice maker initialization fault after the ice maker is started. Need to replace the ice maker and power on to run the test mode. 3. EP/F5 means the ice release fault: Wrong position on the way out of the ice need to replace ice maker and run test mode. 4. E6/CA means communication failure, need to change to new PCB. 5. If the refrigerator has an alarm sound, no fault code and no ice means the door switch is not installed in place, need to install the door switch in place.
No ice (core components)	<ol style="list-style-type: none"> 1. Water valve failure: Directly replace the water valve for EYE when the water dispenser is normal. 2. Conduct the forced mode test of the ice maker to verify whether the ice probe rod is stuck or frozen, if yes, need to replace the ice maker. 3. If the temperature of the freezer room does not reach the deicing temperature point, it shall be treated as refrigeration anomaly. 4. Detect the resistance value of the sensor to determine whether the temperature of the sensor is abnormal. 5. The inlet pipe heater fails, causing freezing block (EYE inspection).
No ice (other issues)	<ol style="list-style-type: none"> 1. Water tap was shut down. 2. The ice making function is off. 3. Water inlet was blocked. 4. The ice macker was not properly installed.
Parts damaged	Observe the state of the ice maker core: whether there is cracking, falling off and other phenomena, if not, conduct EYE.

6 WARRANTY



Warranty & Service

This product has been manufactured by Thor International, 4651 E Airport Dr, Ontario, CA 91761

For Customer Service, please call (877) 288 - 8099

**For the most up to date warranty and service policy, please refer to our website
WWW.THORKITCHEN.COM/WARRANTY-REGISTRATION**

**For in-warranty service requests, please visit our website at
WWW.THORKITCHEN.COM/SERVICE**

Please Note: You must provide proof of purchase or installation date for any in-warranty service requests

WELCOME TO THE CLUB

You chose THOR Kitchen to enhance your culinary journey and we're stoked to have you in the club. Think of it as a secret society of really savvy people, such as yourself, choosing professional power and performance at an affordable price.



Register your product by following the steps below.

WARRANTY REGISTRATION



01

Scan the QR code or visit
thorkitchen.com/warranty



02

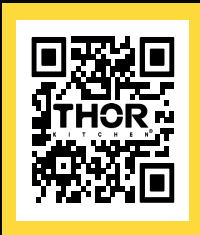
Input your product info
and select register



03

You're done.
Let's get cookin'.

WARRANTY



NEED PARTS?



TRF3601FD

RÉFRIGÉRATEUR À PORTES FRANÇAISES PROFESSIONNEL DE 36 POUCES

CUIRE COMME UN DIEU

THOR
K I T C H E N[®]

MANUEL D'UTILISATION ET D'ENTRETIEN

MANUEL D'UTILISATION ET D'ENTRETIEN

RÉFRIGÉRATEUR-FRIGO PRO- FESSIONNEL DE 36 POUCES

TRF3601FD

THOR
K I T C H E N[®]

TABLE DES MATIÈRES

1 Avertissements de sécurité	
1.1 Avertissement	1-2
1.2 Significations des symboles d'avertissement de sécurité	3
1.3 Avertissements liés à l'électricité	3
1.4 Avertissements d'utilisation	4
1.5 Avertissements de placement	4-5
1.6 Avertissements d'énergie	5
1.7 Avertissements de mise au rebut	5
2 Bonne utilisation du réfrigérateur	
2.1 Placement	6
2.2 Pieds de nivellement	7
2.3 Nivellement de la porte	8
2.4 Poignées de porte	9
2.5 Ajustement du support en porte-à-faux	10
2.6 Installation du filtre	11
2.7 Installation de la ligne d'eau	12
2.8 Changement de la lumière	12
2.9 Démarrage	13
3 Structure et fonctions	
3.1 Composants clés	14-15
3.2 Fonctions	16-18
3.3 Distribution d'eau et de glace	19
3.4 Démontage de la porte du réfrigérateur	20
4 Entretien et soin du réfrigérateur	
4.1 Nettoyage général	21
4.2 Nettoyage du plateau de porte*	21
4.3 Nettoyage des tiroirs	22
4.4 Nettoyage de la boîte de stockage de glace	23
4.5 Décongélation	24
4.6 Hors service	24
5 Dépannage	
5.1 Dépannage	25
6 Garantie	28

1 AVERTISSEMENTS DE SÉCURITÉ

1.1 Avertissement



Avertissement : risque d'incendie / matériaux inflammables

CET appareil est destiné à être utilisé dans des applications domestiques et similaires telles que les cuisines du personnel dans les magasins, les bureaux et autres environnements de travail ; les maisons de ferme et par les clients dans les hôtels, motels et autres environnements résidentiels ; les environnements de type bed and breakfast ; la restauration et autres applications non commerciales similaires.

CET appareil n'est pas destiné à être utilisé par des personnes (y compris des enfants) ayant des capacités physiques, sensorielles ou mentales réduites, ou un manque d'expérience et de connaissance, à moins qu'ils n'aient été supervisés ou instruits sur l'utilisation de l'appareil par une personne responsable de leur sécurité. Les enfants doivent être surveillés pour s'assurer qu'ils ne jouent pas avec l'appareil.

SI le cordon d'alimentation est endommagé, il doit être remplacé par le fabricant, son agent de service ou des personnes également qualifiées afin d'éviter un danger.

NE pas stocker de substances explosives telles que des aérosols avec un propulseur inflammable dans cet appareil.

L'appareil doit être débranché après utilisation et avant d'effectuer toute opération de maintenance par l'utilisateur sur l'appareil.

AVERTISSEMENT : Maintenir les ouvertures de ventilation, dans l'enceinte de l'appareil ou dans la structure encastrée, dégagées de toute obstruction.

AVERTISSEMENT : Ne pas utiliser de dispositifs mécaniques ou d'autres moyens pour accélérer le processus de dégivrage, sauf ceux recommandés par le fabricant.

AVERTISSEMENT : Ne pas endommager le circuit frigorifique.

AVERTISSEMENT : Ne pas utiliser d'appareils électriques à l'intérieur des compartiments de stockage des aliments de l'appareil, sauf s'ils sont du type recommandé par le fabricant.

AVERTISSEMENT : Veuillez abandonner le réfrigérateur conformément aux réglementations locales car il utilise un gaz de soufflage inflammable et un réfrigérant.

AVERTISSEMENT : Lors de la position de l'appareil, s'assurer que le cordon d'alimentation n'est pas piégé ou endommagé.

AVERTISSEMENT: Ne pas ne pas placer plusieurs prises électriques portables ou alimentations électriques portables à l'arrière de l'appareil.

NE pas utiliser de rallonges ou d'adaptateurs non mis à la terre (à deux broches) .

AVERTISSEMENT: Risque d'enfermement des enfants. Avant de jeter votre ancien réfrigérateur ou congélateur :

-Retirez les portes.

-Laissez les étagères en place afin que les enfants ne puissent pas facilement y grimper à l'intérieur.

LE réfrigérateur doit être débranché de la source d'alimentation électrique avant de tenter l'installation de l'accessoire.

1 AVERTISSEMENTS DE SÉCURITÉ

Le réfrigérant et le matériau moussant au cyclopentane utilisés pour l'appareil sont inflammables. Par conséquent, lors de la mise au rebut de l'appareil, il doit être tenu à l'écart de toute source de feu et être récupéré par une entreprise de récupération spéciale ayant les qualifications correspondantes, plutôt que d'être éliminé par combustion, afin de prévenir les dommages à l'environnement ou tout autre préjudice.

Les ENFANTS doivent être surveillés pour s'assurer qu'ils ne jouent pas avec l'appareil.

AVERTISSEMENT : Pour éviter un danger d'instabilité de l'appareil, il doit être fixé conformément aux instructions.

AVERTISSEMENT : Brancher uniquement sur une alimentation en eau potable. (Convient pour machine à glaçons)




POUR Éviter qu'un enfant ne soit piégé, gardez hors de portée des enfants et non à proximité du congélateur (ou du réfrigérateur). (Convient aux produits avec des serrures)

Pression d'eau d'entrée minimale/ maximale, 30/100 psig.

AVERTISSEMENT : Brancher uniquement sur une alimentation en eau potable.

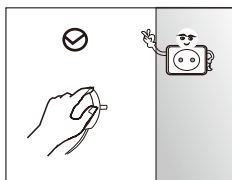
1 AVERTISSEMENTS DE SÉCURITÉ

1.2 Signification des symboles d'avertissement de sécurité

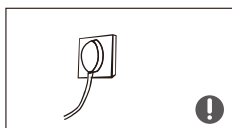
 Symbole d'interdiction	Il s'agit d'un symbole d'interdiction. Toute non-conformité aux instructions marquées de ce symbole peut entraîner des dommages au produit ou mettre en danger la sécurité personnelle de l'utilisateur.
 Symbole d'avertissement	Il s'agit d'un symbole d'avertissement. Il est nécessaire de respecter strictement les instructions marquées de ce symbole; sinon des dommages au produit ou des blessures personnelles peuvent être causés.
 Symbole de note	Il s'agit d'un symbole de mise en garde. Les instructions marquées de ce symbole nécessitent une attention particulière. Un manque de prudence peut entraîner des blessures légères ou modérées, ou des dommages au produit.

Ce manuel contient de nombreuses informations importantes sur la sécurité qui doivent être respectées par les utilisateurs.

1.3 Avertissements liés à l'électricité



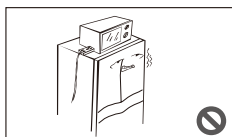
- Ne tirez pas sur le cordon d'alimentation lorsque vous débranchez la prise du réfrigérateur. Veuillez saisir fermement la prise et la retirer directement de la prise.
- Pour garantir une utilisation sûre, ne pas endommager le cordon d'alimentation ni utiliser le cordon d'alimentation s'il est endommagé ou usé.



- Veuillez utiliser une prise de courant dédiée et la prise de courant ne doit pas être partagée avec d'autres appareils électriques. La fiche d'alimentation doit être fermement en contact avec la prise, sinon des incendies pourraient se produire.
- Assurez-vous que l'électrode de mise à la terre de la prise de courant est équipée d'une ligne de mise à la terre fiable.



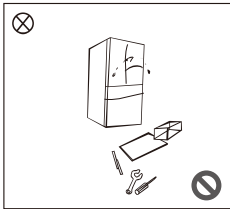
- Veuillez fermer la vanne du gaz qui fuit, puis ouvrir les portes et les fenêtres en cas de fuite de gaz et d'autres gaz inflammables. Ne débranchez pas le réfrigérateur et d'autres appareils électriques en considérant qu'une étincelle pourrait provoquer un incendie.



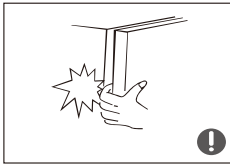
- Ne pas utiliser d'appareils électriques sur le dessus de l'appareil, sauf s'ils sont du type recommandé par le fabricant.

1 AVERTISSEMENTS DE SÉCURITÉ

1.4 Avertissements d'utilisation



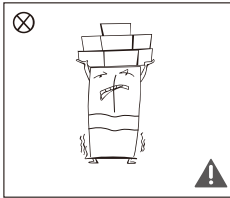
- Ne pas démonter ou reconstruire arbitrairement le réfrigérateur, ni endommager le circuit de réfrigérant ; la maintenance de l'appareil doit être effectuée par un spécialiste .
- Le cordon d'alimentation endommagé doit être remplacé par le fabricant, son service de maintenance ou des professionnels associés afin d'éviter tout danger.



- Les espaces entre les portes du réfrigérateur et entre les portes et le corps du réfrigérateur sont petits, veuillez noter de ne pas mettre votre main dans ces zones pour éviter de pincer le doigt. Soyez doux lorsque vous fermez la porte du réfrigérateur pour éviter la chute d'articles.
- Ne prenez pas d'aliments ou de contenants avec des mains mouillées dans la chambre de congélation lorsque le réfrigérateur fonctionne, en particulier des contenants métalliques afin d'éviter les engelures.

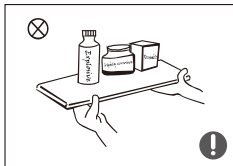


- Ne laissez aucun enfant entrer ou grimper dans le réfrigérateur; sinon, une suffocation ou une chute de l'enfant pourrait être causée.

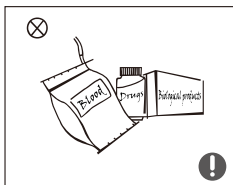


- Ne placez pas d'objets lourds sur le dessus du réfrigérateur en considérant que les objets peuvent tomber lors de l'ouverture ou de la fermeture de la porte, et des blessures accidentelles pourraient être causées.
- Veuillez débrancher la prise en cas de panne de courant ou de nettoyage. Ne branchez pas le congélateur à l'alimentation électrique dans les cinq minutes suivant l'arrêt pour éviter d'endommager le compresseur en raison de démarrages successifs.

1.5 Avertissements pour le placement des articles

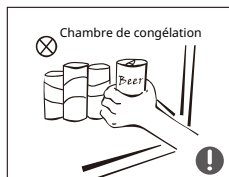


- Ne pas mettre d'articles inflammables, explosifs, volatils et hautement corrosifs dans le réfrigérateur pour éviter d'endommager le produit ou des accidents d'incendie.
- Ne pas placer d'articles inflammables près du réfrigérateur pour éviter les incendies.



- Le réfrigérateur est destiné à un usage domestique, tel que le stockage des aliments ; il ne doit pas être utilisé à d'autres fins, telles que le stockage de sang, de médicaments ou de produits biologiques, etc.

1 AVERTISSEMENTS DE SÉCURITÉ



- Ne pas stocker de la bière, des boissons ou tout autre liquide contenu dans des bouteilles ou des contenants fermés dans la chambre de congélation du réfrigérateur ; sinon les bouteilles ou les contenants fermés pourraient se fissurer en raison du gel et causer des dommages.

1.6 Avertissements pour l'énergie

Avertissement pour l'énergie

- 1) Les appareils de réfrigération peuvent ne pas fonctionner de manière constante (possibilité de dégivrage du contenu ou de température trop élevée dans le compartiment des aliments congelés) lorsqu'ils sont installés pendant une période prolongée en dessous de la plage de températures pour lesquelles l'appareil de réfrigération est conçu.
- 2) Le fait que les boissons effervescentes ne doivent pas être stockées dans les compartiments ou armoires de congélation des aliments ou dans les compartiments ou armoires à basse température, et que certains produits tels que les glaces ne doivent pas être consommés trop froids;
- 3) Il est nécessaire de ne pas dépasser les temps de stockage recommandés par les fabricants d'aliments pour tout type d'aliment et en particulier pour les aliments commercialement surgelés dans les compartiments ou armoires de congélation de nourriture ;
- 4) Les précautions nécessaires pour éviter une augmentation excessive de la température des aliments congelés lors de la décongélation de l'appareil réfrigérant, telles que l'emballage des aliments congelés dans plusieurs couches de papier journal.
- 5) Le fait qu'une augmentation de la température des aliments congelés lors de la décongélation manuelle, de l'entretien ou du nettoyage pourrait raccourcir la durée de conservation.
- 6) La nécessité que, pour les portes ou couvercles équipés de serrures et de clés, les clés soient conservées hors de la portée des enfants et non à proximité de l'appareil réfrigérant, afin d'éviter que les enfants ne puissent y accéder verrouillé à l'intérieur.

Conseils pour économiser de l'énergie

L'appareil doit être placé dans la zone la plus fraîche de la pièce, à l'écart des appareils produisant de la chaleur ou des conduits de chauffage, et à l'abri de la lumière directe du soleil.

Laissez les aliments chauds refroidir à température ambiante avant de les placer dans l'appareil. Surcharger l'appareil oblige le compresseur à fonctionner plus longtemps. Les aliments qui gèlent trop lentement peuvent perdre en qualité, voire se gâter. Assurez-vous d'emballer correctement les aliments et d'essuyer les contenants avant de les placer dans l'appareil. Cela réduit l'accumulation de givre à l'intérieur de l'appareil.

Le bac de rangement de l'appareil ne doit pas être doublé de papier d'aluminium, de papier ciré ou de papier absorbant.

Les doublures interfèrent avec la circulation de l'air froid, rendant l'appareil moins efficace.

Organisez et étiquetez les aliments pour réduire les ouvertures de porte et les recherches prolongées. Retirez autant d'articles que nécessaire en une seule fois et refermez la porte dès que possible.

1.7 Mises en garde pour l'élimination

Le réfrigérant et le matériau moussant au cyclopentane utilisés pour le réfrigérateur sont inflammables. Par conséquent, lorsque le réfrigérateur est mis au rebut, il doit être éloigné de toute source de feu et



être récupéré par une entreprise de récupération spéciale ayant les qualifications correspondantes, plutôt que d'être éliminé par combustion, afin d'éviter tout dommage à l'environnement ou à autrui.



Lorsque le réfrigérateur est mis au rebut, démontez les portes et retirez le joint de porte et les étagères ; placez les portes et les étagères dans un endroit approprié, afin d'éviter tout piège pour un enfant.



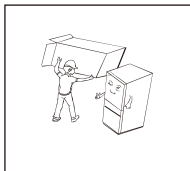
Élimination correcte de ce produit :

Ce marquage indique que ce produit ne doit pas être éliminé avec les autres déchets ménagers dans toute l'UE. Pour éviter tout dommage possible à l'environnement ou à la santé humaine résultant d'une élimination des déchets non contrôlée, recyclez-le de manière responsable pour promouvoir la réutilisation durable des ressources matérielles. Pour retourner votre appareil usagé, veuillez utiliser les systèmes de retour et de collecte ou contacter le revendeur où le produit a été acheté. Ils peuvent reprendre ce produit pour un recyclage écologique en toute sécurité.

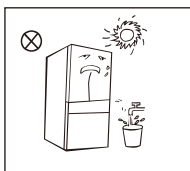
Ce réfrigérateur ne peut pas être branché sur une prise GFCI.

2 UTILISATION APPROPRIÉE DES RÉFRIGÉRATEURS

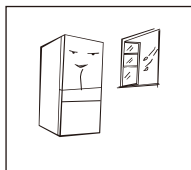
2.1 Placement



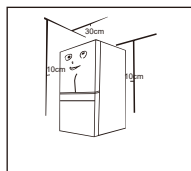
- Maintenez le réfrigérateur debout pour éviter qu'il ne soit extrudé ou vibré pendant le transport. Évitez les angles de basculement de plus de 45 degrés lors de la manipulation. Évitez de trop solliciter la porte ou le couvercle supérieur lors du déplacement du réfrigérateur ; cela pourrait le déformer.
Avant utilisation, retirez tous les matériaux d'emballage, y compris les coussins inférieurs, les tampons en mousse et les rubans à l'intérieur du réfrigérateur ; retirez le film protecteur sur les portes et le corps du réfrigérateur.



- Éloignez-le de la chaleur et évitez l'exposition directe au soleil. Ne placez pas le congélateur dans des endroits humides ou aqueux pour éviter la rouille ou la réduction de l'effet isolant.



- Le réfrigérateur est placé dans un endroit intérieur bien ventilé ; le sol doit être plat et solide (tournez à gauche ou à droite pour ajuster la roue pour le nivellement si instable).



- L'espace supérieur du réfrigérateur doit être supérieur à 30 cm, et le réfrigérateur doit être placé contre un mur avec une distance libre de plus de 10 cm pour faciliter la dissipation de la chaleur.

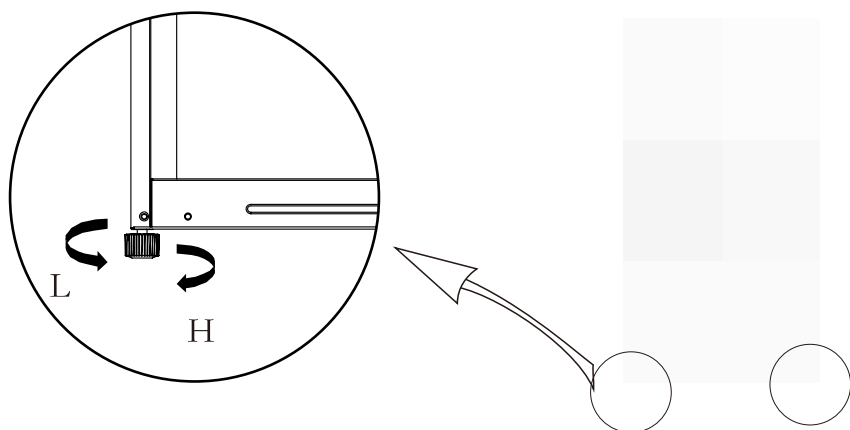
ⓘ Précautions avant l'installation :

Avant l'installation ou l'ajustement des accessoires, il faut s'assurer que le réfrigérateur est débranché de l'alimentation électrique.

Des précautions doivent être prises pour éviter que la poignée ne tombe et ne cause des blessures.

2 UTILISATION APPROPRIÉE DES RÉFRIGÉRATEURS

2.2 Pieds de nivellement




(L'image ci-dessus est uniquement à titre de référence. La configuration réelle dépendra du produit physique ou de la déclaration du distributeur)

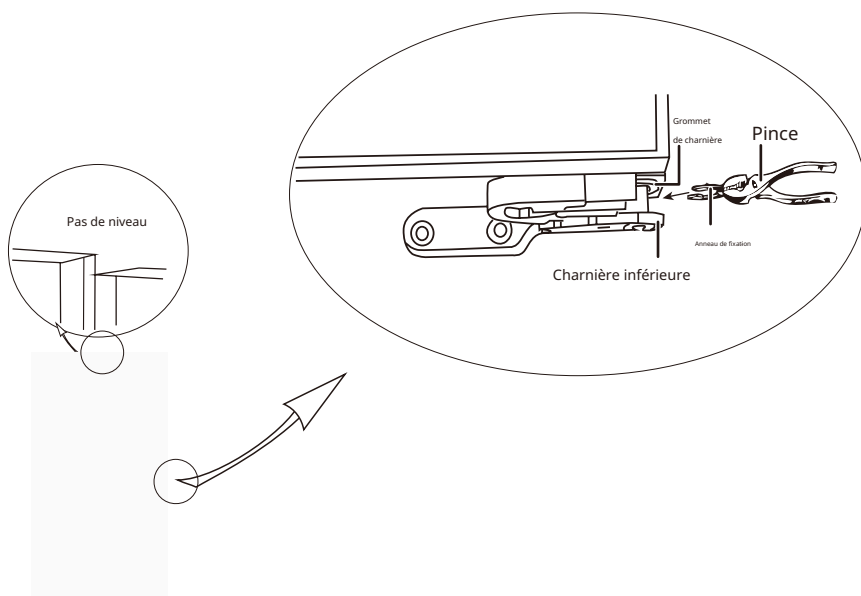
Procédures d'ajustement :

- Tournez les pieds dans le sens des aiguilles d'une montre pour élever le réfrigérateur ;
- Tournez les pieds dans le sens inverse des aiguilles d'une montre pour abaisser le réfrigérateur ;
- Ajustez les pieds droit et gauche selon les procédures ci-dessus pour obtenir un niveau horizontal.

2 UTILISATION APPROPRIÉE DES RÉFRIGÉRATEURS

2.3 Réglage de la porte

Liste des outils à fournir par l'utilisateur	
	pince



(L'image ci-dessus est uniquement à titre de référence. La configuration réelle dépendra du produit physique ou de la déclaration du distributeur)

- 1) Relevez la porte inférieure jusqu'au niveau de la porte supérieure.
- 2) Insérez l'anneau de fixation fourni en utilisant une pince dans l'espace entre le grommet de la charnière et la charnière inférieure. Le nombre d'anneaux de fixation à insérer dépend de l'espace.

2 UTILISATION APPROPRIÉE DES RÉFRIGÉRATEURS

2.4 Poignées de porte

Instructions d'assemblage de la poignée de porte de stockage à froid :

1. Retirez les boulons du jeu de poignées du réfrigérateur, utilisez un tournevis cruciforme pour fixer le boulon sur la porte. Fixez-le fermement avec tous les filets de vis passés à travers le trou, comme indiqué dans la figure;
2. Une fois la première étape terminée, sortez la poignée de porte de stockage à froid de la boîte, placez-la selon la direction indiquée dans la figure (Remarque : c'est-à-dire la direction où les deux trous de vis sur la poignée sont proches du bord), et suspendez la poignée au-dessus du boulon de fixation ;
3. Utilisez la petite clé hexagonale fournie dans la boîte pour visser les vis à tête cylindrique de fixation de la poignée dans les deux petits trous filetés de la poignée. Une fois vissées, secouez doucement la poignée pour vérifier si les poignées sont bien droites.

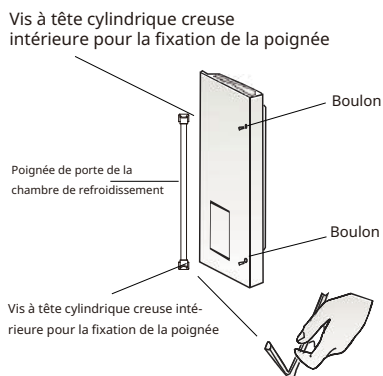


Schéma d'installation de la poignée de porte du compartiment de stockage froid

Instructions d'assemblage de la poignée de porte de réfrigération :

Les étapes d'assemblage de la poignée de porte de réfrigération sont les mêmes que pour la poignée de porte de stockage à froid. Veuillez noter que la direction des trous de frappe est vers le bas, vers le sol lors de l'assemblage du réfrigérateur.

2 UTILISATION APPROPRIÉE DES RÉFRIGÉRATEURS

2.5 Réglage du support en porte-à-faux



Ajustement du support en porte-à-faux

Le support en porte-à-faux peut être ajusté à la hauteur appropriée selon les besoins alimentaires. Veuillez ajuster le support en porte-à-faux en suivant les flèches indiquées sur le schéma.

Levez-le d'abord vers le haut, puis retirez-le en le basculant vers le haut. Lors de l'installation, placez l'extrémité supérieure de la jambe fixe dans l'une des fentes supérieures sur le fer de support, puis placez l'extrémité inférieure de la jambe fixe dans la troisième fente sur la partie inférieure du fer de support.

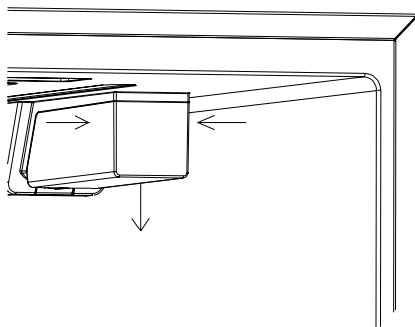


Réglage de la hauteur et nettoyage du porte-bouteilles monté sur la porte

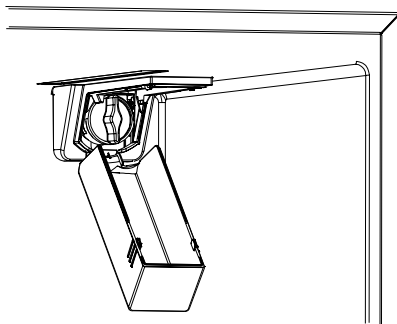
Soulevez le porte-bouteilles dans la direction, maintenez-le des deux mains et retirez-le dans la direction. Après le nettoyage, vous pouvez installer le support dans l'ordre inverse et ajuster la hauteur du support.

2 UTILISATION APPROPRIÉE DES RÉFRIGÉRATEURS

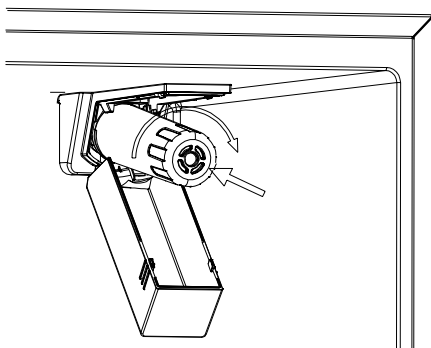
2.6 Installation du filtre (WF200)



1. Lorsque le réfrigérateur est utilisé pour la première fois, appuyez sur les marques des deux côtés du couvercle du filtre à la main et ouvrez le couvercle du filtre vers le bas ;



2. Ensuite, tournez le bouchon anti-poussière dans le sens antihoraire et retirez-le ;



3. Retirez l'emballage extérieur du filtre, tournez le filtre dans le sens des aiguilles d'une montre et appuyez sur l'élément du filtre, puis installez l'élément du filtre à la position de joint du filtre du réfrigérateur jusqu'à ce que l'élément du filtre ne puisse plus tourner ;

4. Lorsque le voyant du filtre dans le panneau d'affichage est allumé, cela indique qu'il est temps de remplacer l'élément du filtre. La méthode pour retirer l'élément filtrant est la même que celle pour retirer le bouchon anti-poussière ;

5. Il est recommandé de remplacer le filtre tous les six mois.

2 UTILISATION APPROPRIÉE DES RÉFRIGÉRATEURS

2.7 Installation de la ligne d'eau

Raccordement d'eau



AVERTISSEMENT

Risque de choc électrique et d'endommagement de l'appareil ! Débranchez l'appareil de la source d'alimentation avant d'effectuer tout travail sur le raccordement d'eau.

Seul un technicien d'installation qualifié peut raccorder l'appareil à l'alimentation en eau conformément à la réglementation en matière de plomberie et aux réglementations des sociétés de distribution d'eau pertinentes.

Raccordez l'appareil uniquement à une conduite d'eau potable :

- Pression minimale :
0,21 MPa (2,07 bar, 30 psi)
- Pression maximale :
0,69 MPa (6,89 bar, 100 psi)
- Pression supérieure à 0,69 MPa (6,89 bar, 100 psi) :
installer un limiteur de pression entre la conduite d'eau potable et le jeu de tuyaux.

L'eau doit être raccordée uniquement par un plombier compétent conformément aux réglementations locales de la société de distribution d'eau appropriée.

Une connexion d'eau froide est nécessaire pour faire fonctionner le distributeur de glaçons. La pression de l'eau doit être comprise entre 0,21 MPa (2,07 bars, 30 psi) et 0,69 MPa (6,89 bars, 100 psi). L'installation doit correspondre aux réglementations locales en matière de plomberie.

Une vanne d'arrêt séparée doit être installée sur l'arrivée d'eau froide.

La vanne d'arrêt ne doit pas être située derrière l'appareil. Il est recommandé de monter la vanne d'arrêt directement à côté de l'appareil ou à un autre endroit facilement accessible.

Lors de l'installation de la connexion d'eau, veillez à respecter la zone d'installation autorisée pour la conduite d'eau.

Pour raccorder à la conduite d'eau potable, n'utilisez que des tuyaux d'eau adaptés à l'eau potable.

Respectez les réglementations nationales et les conditions de raccordement des sociétés locales de distribution d'eau.

Connexion de la ligne d'eau

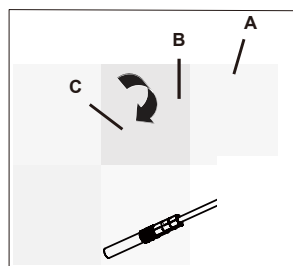
La plupart des maisons sont équipées de pièces d'installation de ligne d'eau. Si ce n'est pas le cas pour la vôtre ou si elle doit être remplacée, des kits d'installation de ligne d'eau sont disponibles à l'achat dans un magasin de bricolage/revendeur.

1. Fermez la vanne d'arrêt de la ligne d'eau principale.
2. Installez une vanne d'arrêt et une ligne d'eau 1/4" x 1/4" filetage de compression (UNS 7/16-24), accessible avec le produit en place. Consultez le code local et les instructions du kit d'installation de ligne d'eau (non inclus).

ligne (C) au connecteur d'entrée d'eau du réfrigérateur (B), serrez à l'aide de l'outil.

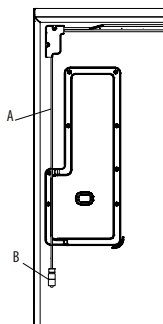
4. Tire légèrement sur la ligne d'alimentation en eau pour assurer un ajustement correct et éviter tout risque de dommage lors du déplacement de l'unité pour le nettoyage.

5. Rétablissez l'eau principale et vérifiez les fuites.



2.8 Changement de la lumière

Tout remplacement ou entretien des lampes LED doit être effectué par le fabricant, son agent de service ou une personne qualifiée similaire.

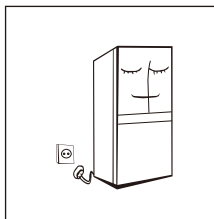


2 UTILISATION APPROPRIÉE DES RÉFRIGÉRATEURS

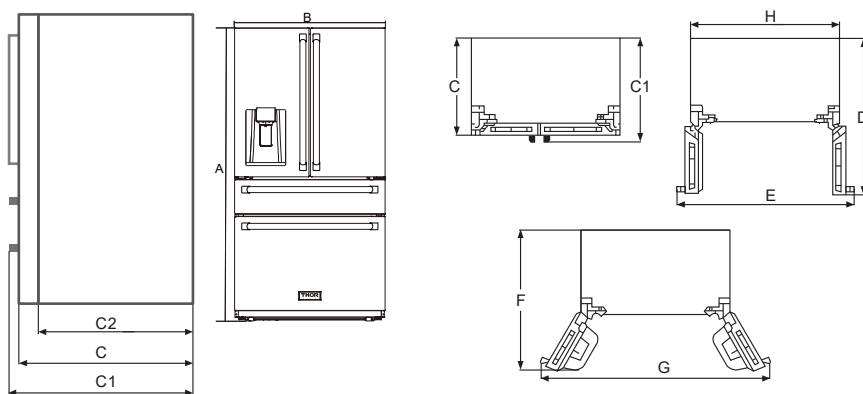
2.8 Changement de la lumière

Tout remplacement ou entretien des lampes LED doit être effectué par le fabricant, son agent de service ou une personne qualifiée similaire.

2.9 Commencer à utiliser



- Avant la première utilisation, laissez le réfrigérateur immobile pendant deux heures avant de le brancher sur l'alimentation électrique.
- Avant de mettre des aliments frais ou congelés, le réfrigérateur doit avoir fonctionné pendant 2 à 3 heures, ou pendant plus de 4 heures en été lorsque la température ambiante est élevée.

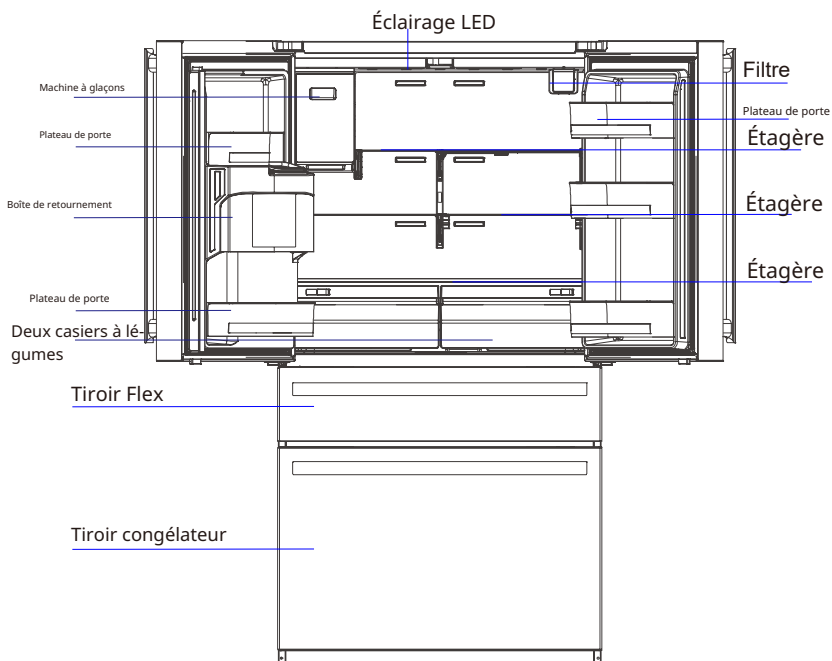


	CODE	TAILLE (IN)	TAILLE (mm)
Hauteur	A	69 13/16"	1772.7
Largeur	B	35 13/16"	910
Profondeur sans portes	C2	24 7/16"	620
Profondeur avec poignées	C1	31 3/4"	807
Profondeur	C	29	737
Profondeur porte ouverte à 90°	D	43 3/16"	1096.5
Largeur porte ouverte à 90°	E	45 15/16"	1166
Profondeur porte ouverte à 130°	F	41 5/8"	1058
Largeur porte ouverte à 130°	G	63 5/8"	1617
Largeur	H	35 5/8"	905

3 STRUCTURE ET FONCTIONS

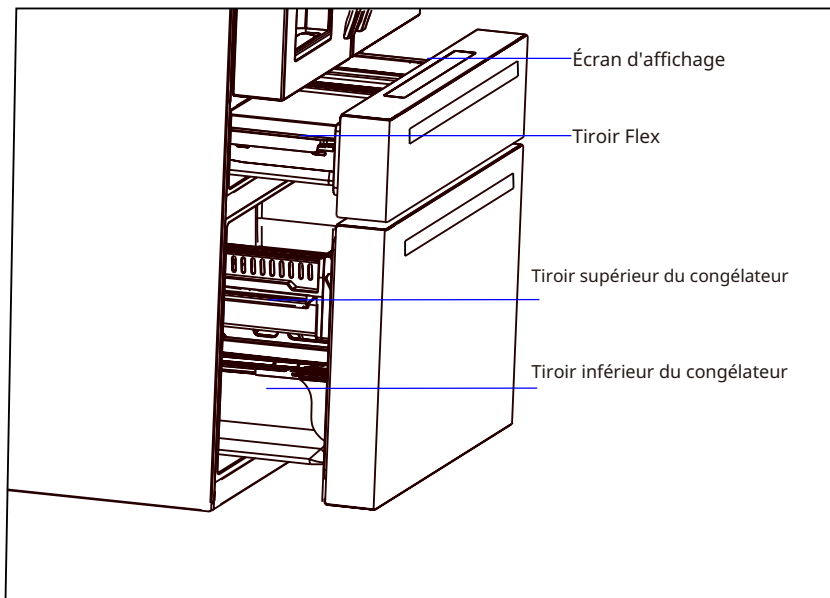
3.1 Composants clés

(Chambre de réfrigération)



(L'image ci-dessus est uniquement à titre de référence. La configuration réelle dépendra du produit physique ou de la déclaration du distributeur)

3 STRUCTURE ET FONCTIONS



(L'image ci-dessus est uniquement à titre de référence. La configuration réelle dépendra du produit physique ou de la déclaration du distributeur)

Chambre de réfrigération

- La chambre de réfrigération est adaptée au stockage d'une variété de fruits, légumes, boissons et autres aliments consommés à court terme.
- Les aliments cuits ne doivent pas être placés dans la chambre de réfrigération avant d'avoir refroidi à température ambiante.
- Il est recommandé de sceller les aliments avant de les mettre dans le réfrigérateur.
- Les étagères en verre peuvent être ajustées vers le haut ou vers le bas pour un espace de stockage raisonnable et une utilisation facile.

Chambre de congélation

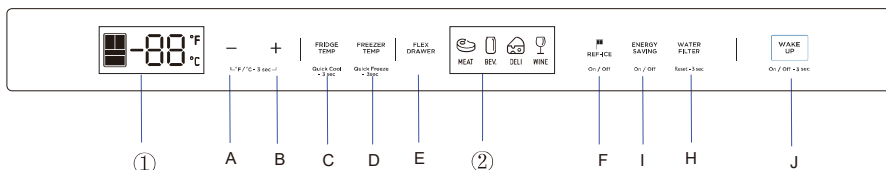
- La chambre de congélation à basse température peut conserver les aliments frais pendant longtemps et est principalement utilisée pour stocker des aliments congelés et fabriquer de la glace.
- La chambre de congélation est adaptée au stockage de viande, poisson, boulettes de riz et autres aliments à ne pas consommer à court terme.
- Les morceaux de viande sont de préférence à diviser en petits morceaux pour une congélation rapide et un accès facile. Veuillez noter que les aliments doivent être consommés dans le délai de conservation.

Tiroir Flex

- La température du tiroir flexible peut être ajustée à $-1\text{ }^{\circ}\text{C} / 30\text{ }^{\circ}\text{F}$, $1\text{ }^{\circ}\text{C} / 34\text{ }^{\circ}\text{F}$, $3\text{ }^{\circ}\text{C} / 37\text{ }^{\circ}\text{F}$ et $5\text{ }^{\circ}\text{C} / 41\text{ }^{\circ}\text{F}$, et la température appropriée peut être sélectionnée en fonction des besoins des différents aliments.
- Lorsque la température du tiroir flexible est réglée à $-1\text{ }^{\circ}\text{C} / 30\text{ }^{\circ}\text{F}$, il est recommandé de stocker de la viande.
- Lorsque la température du tiroir flexible est réglée à $1\text{ }^{\circ}\text{C} / 34\text{ }^{\circ}\text{F}$, il est adapté pour stocker des boissons.
- Lorsque la température du tiroir flexible est réglée à $3\text{ }^{\circ}\text{C} / 37\text{ }^{\circ}\text{F}$, il est adapté pour stocker des aliments cuits.
- Lorsque la température du tiroir flexible est réglée à $5\text{ }^{\circ}\text{C} / 41\text{ }^{\circ}\text{F}$, il est adapté pour stocker du vin rouge.

3 STRUCTURE ET FONCTIONS

3.2 Fonctions



(L'image ci-dessus est uniquement à titre de référence. La configuration réelle dépendra du produit physique ou de la déclaration du distributeur.)

Écran d'affichage

① Affichage de la zone de température ② Engrenage de changement de température

Touche d'opération

A. Baisser la température B. Augmenter la température C. Bouton de chambre de réfrigération
D. Bouton de chambre de congélation E. Bouton de tiroir flexible F. Initial bouton pour la réfrigération de la glace fabriquée
H. Invite de filtre I. Mode d'économie d'énergie J. Bouton de verrouillage

Affichage

1) Commande d'affichage principale (commande d'affichage sur la porte du tiroir)

Lorsque l'alimentation est allumée pour la première fois, les icônes seront semi-lumineuses et entièrement affichées et défilent de gauche à droite.

Ensuite, les icônes seront entièrement mises en surbrillance et entièrement affichées pendant 3 secondes. En même temps, la sonnerie de démarrage retentira, puis l'affichage entrera en fonctionnement normal. (Lorsque le réfrigérateur est alimenté pour la première fois, la température de la chambre de réfrigération, de la chambre de congélation et du tiroir flexible est réglée à 39°F/0°F/37°F respectivement).

Dans des conditions normales, en l'absence d'ouverture de porte et d'aucune opération de touche pendant 30 secondes, l'affichage sera verrouillé et l'affichage s'éteindra après 30 secondes en mode verrouillage;

Lorsque l'écran d'affichage n'est pas allumé, si une touche est pressée, l'écran d'affichage s'allumera normalement;

2) Affichage et commande du distributeur

Lorsque le réfrigérateur est alimenté pour la première fois, l'affichage et la commande du distributeur seront entièrement affichés pendant 3 secondes, puis il entrera dans l'affichage de fonctionnement normal (la fonction de sortie d'eau est l'option par défaut lorsque le réfrigérateur est alimenté pour la première fois);

Verrouillage et déverrouillage

À l'état de déverrouillage, appuyez et maintenez enfoncée la touche de verrouillage pendant 3 secondes pour entrer en état de verrouillage et le buzzer de verrouillage retentit.

À l'état de verrouillage, appuyez et maintenez enfoncée la touche de verrouillage pendant 3 secondes pour entrer en état de déverrouillage et le buzzer de déverrouillage retentit.

Si aucune touche n'est pressée après 30 secondes, l'écran d'affichage entre automatiquement en état de verrouillage.

Réglage de la température de la chambre de réfrigération

Appuyez sur la touche de réfrigération pour sélectionner la zone de température de réfrigération, puis appuyez sur les touches de régulation de température "-" et "+" pour ajuster la température de la chambre de réfrigération. La touche "-" est pressée une fois, la température baissera de 1°C/1°F. Après que la température atteint 1°C/34°F, la touche "-" sera invalide peu importe combien de fois elle est pressée.

La touche "+" est pressée une fois, la température augmentera de 1°C/1°F. Après que la température atteint 7°C/44°F, la touche "+" sera invalide peu importe combien de fois elle est pressée. La plage de réglage de température de la chambre de réfrigération est de 1°C/34°F à 7°C/44°F. Le réglage prendra effet après le verrouillage.

3 STRUCTURE ET FONCTIONS

Réglage de la température du tiroir flexible

Appuyez sur la touche de tiroir flexible pour sélectionner la zone de décalage de température, et appuyez à nouveau sur la touche de décalage de température pour ajuster la température du tiroir flexible. Lorsque la touche de décalage de température est pressée une fois, la température augmentera d'un cran. Lorsque la température est augmentée jusqu'à VIN (4e cran), appuyez à nouveau sur la touche de décalage de température, la température reviendra à VIANDE (1er cran). Les réglages de température correspondants de chaque cran sont VIANDE (-1°C/30°F), BOISSON (1°C/34°F), CHARCUTERIE (3°C/37°F) et VIN (5°C/41°F). Les réglages prendront effet après verrouillage.

Réglage de la température de la chambre de congélation

Appuyez sur la touche de congélation pour sélectionner la zone de température de congélation, puis appuyez sur les touches de régulation de température "-" et "+" pour ajuster la température de la chambre de congélation. La touche "-" est pressée une fois, la température baissera de 1°C/1°F. Après que la température atteint -22°C/-7 °F, la touche "-" sera invalide peu importe combien de fois elle est pressée. La touche "+" est pressée une fois, la température augmentera de 1°C/1°F. Après que la température atteint -14°C/7 °F, la touche "-" sera invalide peu importe combien de fois elle est pressée. La plage de réglage de température de la chambre de congélation est de -22°C/-7 °F à -14°C/7 °F. Le réglage prendra effet après verrouillage.

Passage entre la température Fahrenheit et la température Celsius

La touche composite de "+" et "-" est pressée pendant 3 secondes, la température Fahrenheit et la température Celsius sont basculées et cela prendra effet après verrouillage;

Réglage de l'état du distributeur

Appuyez sur la touche du mode correspondant pour sélectionner le mode glaçon / mode drainage d'eau / mode broyage de glace.

Après la sélection de la fonction correspondante, le témoin lumineux du mode correspondant s'allumera. L'eau sera évacuée immédiatement après la sélection du mode drainage d'eau. Les glaçons sont évacués 3 secondes après l'appui sur la touche de basculement du mode glaçon / mode broyage de glace.

Contrôle de la lampe du distributeur

Lorsque l'interrupteur du distributeur est activé, la lampe du distributeur s'allumera ; lorsque l'interrupteur du distributeur est déconnecté, la lampe du distributeur s'éteindra après un délai de 3 secondes ; Appuyez sur la touche REF-ICE pour allumer le rétroéclairage et la machine à glaçons réfrigérante ; appuyez à nouveau sur la touche REF-ICE pour éteindre le rétroéclairage et la machine à glaçons réfrigérante. Cela prendra effet après verrouillage ; Remarque : Lorsque la machine à glaçons réfrigérante est en marche, la machine à glaçons renversera la glace dans la chambre de fabrication de glace si le bac de stockage de glace est retiré et que la machine à glaçons est en train de renverser la glace ;

Conseils pour remplacer le filtre

Lorsque le filtre est utilisé pendant plus de 150 jours et que le rétroéclairage est toujours allumé, ou lorsque le filtre est utilisé pendant plus de 180 jours et que le rétroéclairage clignote, appuyez sur la touche FILTRE À EAU pendant 3 secondes pour effacer les réglages d'alarme et le remettre à zéro. La sonnerie retentit 3 fois simultanément.

Réglage du mode

Mode de refroidissement rapide

Appuyez et maintenez enfoncée la touche de réfrigération pendant 3 secondes pour entrer en mode de refroidissement rapide. En même temps, l'icône de la chambre de réfrigération devient bleue. Le mode de refroidissement rapide prendra effet après avoir été verrouillé ; lors du réglage du mode de refroidissement rapide, la température de la chambre de réfrigération est automatiquement réglée à 1°C/34°F ; lorsque le mode de refroidissement rapide est désactivé, la température réglée de la chambre de réfrigération revient automatiquement à la température réglée avant le mode de refroidissement rapide.

Mode de congélation rapide

Appuyez et maintenez enfoncée la touche de congélation pour entrer en mode de congélation rapide. En même temps, l'icône de la chambre de congélation devient bleue. Le mode de congélation rapide prendra effet après avoir été verrouillé ; Au moment de régler le mode de refroidissement rapide, la température de la chambre de réfrigération est automatiquement réglée à -22°C/-8°F ; lorsque le mode de refroidissement rapide est désactivé, la température réglée de la chambre de réfrigération revient automatiquement à la température réglée avant le mode de refroidissement rapide.

3 STRUCTURE ET FONCTIONS

Mode ECO

Appuyez sur la touche ÉCONOMIE D'ÉNERGIE pour entrer en mode ECO, et le rétroéclairage s'allumera; le mode de congélation rapide est annulé en même temps. La congélation rapide est contrôlée à -14°C/7°F et la réfrigération à 7°C/45°F.

Appuyez à nouveau sur la touche ÉCONOMIE D'ÉNERGIE pour sortir du mode ECO, le rétroéclairage s'éteindra et la température de congélation et de réfrigération reviendra à la température réglée avant d'entrer en mode ECO. Le mode prendra effet après verrouillage;

Bande chauffante anti-condensation

La bande chauffante anti-condensation peut être activée et désactivée via un bouton combiné, en appuyant sur "ÉCONOMIE D'ÉNERGIE + TEMPÉRATURE DU CONGÉLATEUR" pendant 3 secondes, le symbole Fahrenheit clignotera, il prendra effet en appuyant sur la touche de verrouillage, et la bande chauffante anti-condensation sera désactivée;

Lorsque la bande chauffante anti-condensation est éteinte, en appuyant sur "ÉCONOMIE D'ÉNERGIE + TEMPÉRATURE DU CONGÉLATEUR" pendant 3 secondes, le symbole Fahrenheit ne clignotera plus, il prendra effet en appuyant sur la touche de verrouillage, et la bande chauffante anti-condensation sera activée;

La bande chauffante anti-condensation activée et désactivée est pour la commodité de l'inspection et de la maintenance; les utilisateurs ne doivent pas facilement éteindre la bande chauffante anti-condensation, car cela entraînera un risque de condensation.

Défaut

En cas de défaut, le tube affiche le code de défaut (affichage cyclique après verrouillage), et le buzzer sonne l'alarme ; appuyez sur n'importe quelle touche lors du déverrouillage ou du verrouillage, le son d'alarme peut être libéré ; après l'élimination du défaut correspondant du capteur / de la machine à glaçons par l'entretien, le tube effacera le code d'état de défaut correspondant ; Lorsqu'une porte est ouverte pendant plus de 2 minutes, le buzzer émet un son d'alarme ; lorsque la porte est verrouillée / déverrouillée, appuyez sur n'importe quelle touche pour effacer le son d'alarme, ou fermez toutes les portes, le son d'alarme est libéré.

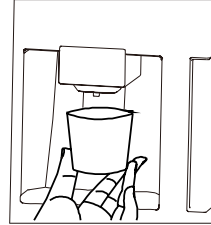
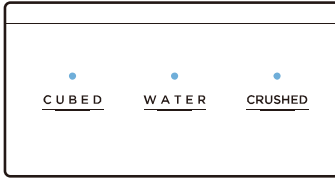
Code de panne	Nom de la panne
EH	Le capteur d'humidité a échoué
F5	Le fabricant de glace de réfrigération ne parvient pas à retourner la glace
F4	Le capteur au bas du fabricant de glace de réfrigération a échoué
CC	Le capteur de dégivrage dans la chambre de fabrication de glace a échoué
C9	Le capteur dans la chambre de fabrication de glace a échoué
CA	La communication entre la carte de contrôle principale et la carte de fabrication de glace a échoué
F6	L'initialisation du fabricant de glace de réfrigération a échoué
E0	L'initialisation de la fabrication de glace en congélation échoue
E1	Le capteur de température dans la chambre de réfrigération échoue
E2	Le capteur de température dans la chambre de congélation échoue
E3	Le capteur du tiroir Flex échoue
E4	Le capteur de givrage pour la réfrigération échoue
E5	Le capteur de givrage pour la congélation échoue
E6	La communication entre la carte d'affichage et la carte de contrôle principale échoue
E7	La température ambiante échoue

3 STRUCTURE ET FONCTIONS

3.3 Prélèvement d'eau et de glace

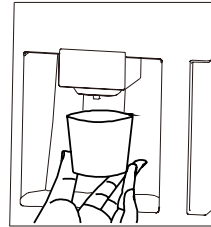
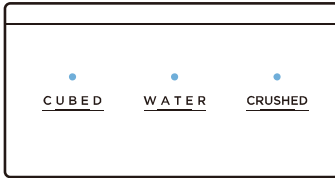
- Le distributeur de glace/eau est situé à l'extérieur de la porte de la chambre réfrigérante. Il offre le choix entre de la glace en cubes ou concassée, ou de l'eau froide. Le distributeur ne fonctionne que lorsque la porte de la chambre réfrigérante est fermée.

1) Obtenir de l'eau froide



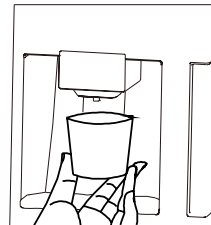
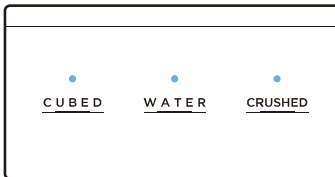
- Continuez à appuyer sur les boutons EAU jusqu'à ce que le voyant s'allume.
- Poussez le récipient dans la direction du coussin d'eau froide, de l'eau froide commence à couler dans le récipient. Retirez le récipient du coussin d'eau froide et arrêtez l'exportation de l'eau.

2) Obtenir de la glace pilée



- Continuez à appuyer sur les boutons de GLACE PILÉE jusqu'à ce que le signal s'allume. Serrez le récipient avec l'embouchure du distributeur d'eau pour éviter les éclaboussures sur les côtés. Appuyez sur le récipient dans la direction du coussin d'eau froide. Remplissez le récipient de glace pilée. Retirez le récipient du coussin d'eau froide et arrêtez l'exportation de l'eau.

3) Obtenir des glaçons



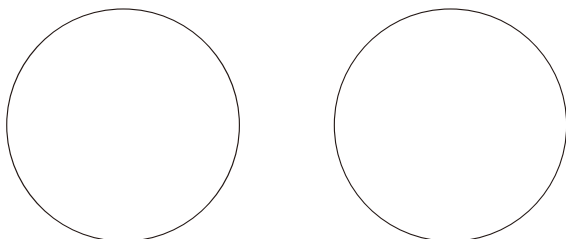
- Continuez à appuyer sur les boutons GLAÇONS jusqu'à ce que le signal s'allume. Poussez le récipient dans la direction du coussin d'eau froide. Les glaçons commencent à tomber dans le récipient. Retirez le récipient du coussin d'eau froide et arrêtez l'exportation de glace.

(L'image ci-dessus est uniquement à titre de référence. La configuration réelle dépendra du produit physique ou de la déclaration du distributeur)

3 STRUCTURE ET FONCTIONS

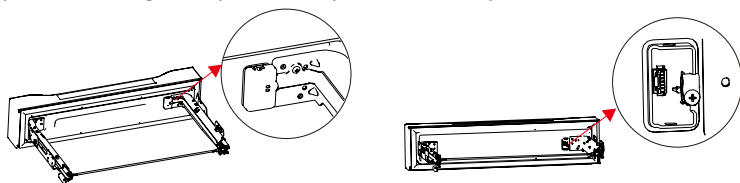
3.4 Démontage de la porte du réfrigérateur

1. Utilisez un tournevis pour retirer les 2 vis, puis retirez le couvercle de charnière supérieur de la porte gauche. Voir la Figure 1.
2. Utilisez le tournevis pour desserrer les 3 vis et la vis de mise à la terre fixant la charnière supérieure, puis retirez la borne et ensuite retirez le corps de la porte gauche. Voir la Figure 2.
3. Pour la porte droite, il n'y a pas de vis de mise à la terre. Suivez le reste des étapes pour la porte gauche.
4. Pour un tiroir, commencez par retirer le bloc de sécurité pour le butoir à la main. Voir la Figure 3.
5. Appuyez sur les boutons de verrouillage des glissières gauche et droite et tirez lentement le tiroir. Voir la Figure



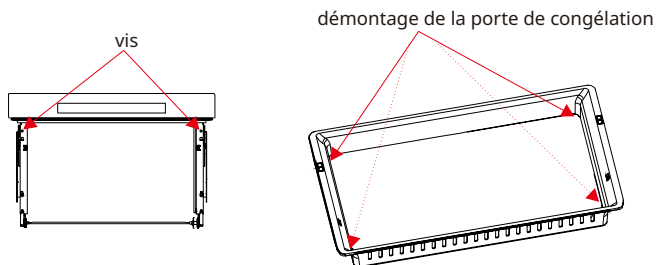
Méthode de démontage de la porte à température variable :

1. Retirez le tiroir de température variable;
2. Tirez la porte de température variable jusqu'à la course maximale, démontez le couvercle du harnais avec un tournevis ou un tournevis électronique pour la fixation des vis, et retirez le couvercle du harnais;
3. Démontez le harnais avec un tournevis ou un tournevis électronique pour la fixation et le serrage avec une vis, et débranchez la borne de connexion;
4. Démontez la vis sur le support de glissière gauche et droit avec un tournevis ou un tournevis électronique, et il est préférable qu'une personne maintienne la porte pour éviter qu'elle ne tombe pendant le processus;
5. Soulevez la porte à un certain angle avec les deux mains et tirez en arrière, puis le démontage de la porte de température variable peut être réalisé.



Méthode de démontage de la porte de congélation:

1. Retirez le tiroir de congélation;
2. Démontez la vis sur le support de glissière gauche et droit avec un tournevis ou un tournevis électronique, et il est préférable qu'une personne maintienne la porte pour éviter qu'elle ne tombe pendant le processus;
3. Soulevez la porte à un certain angle avec les deux mains et tirez en arrière, puis le démontage de la porte de température variable peut être réalisé.



4. ENTRETIEN ET SOIN DES RÉFRIGÉRATEURS

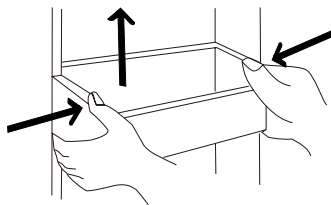
4.1 Nettoyage général

- Les poussières derrière le réfrigérateur et sur le sol doivent être nettoyées régulièrement pour améliorer l'effet de refroidissement et réaliser des économies d'énergie.
- Vérifiez régulièrement le joint de porte pour vous assurer qu'il n'y a pas de débris. Nettoyez le joint de porte avec un chiffon doux humidifié d'eau savonneuse ou de détergent dilué.
- L'intérieur du réfrigérateur doit être nettoyé régulièrement pour éviter les odeurs.
- Veuillez éteindre l'alimentation avant de nettoyer l'intérieur, enlever tous les aliments, boissons, étagères, tiroirs, etc.
- Utilisez un chiffon doux ou une éponge pour nettoyer l'intérieur du réfrigérateur, avec deux cuillères à soupe de bicarbonate de soude et un litre d'eau tiède. Ensuite, rincez à l'eau et essuyez propre. Après le nettoyage, ouvrez la porte et laissez-la sécher naturellement avant de remettre l'alimentation en marche.
- Pour les zones difficiles à nettoyer dans le réfrigérateur (comme les espaces étroits, les interstices ou les coins), il est recommandé de les essuyer régulièrement avec un chiffon doux, une brosse douce, etc. et, si nécessaire, de les combiner avec quelques outils auxiliaires (comme des brosses fines) pour garantir qu'aucun contaminant ou accumulation bactérienne ne se produise dans ces zones.
- N'utilisez pas de savon, de détergent, de poudre à récurer, de nettoyant en spray, etc., car cela pourrait provoquer des odeurs à l'intérieur du réfrigérateur ou contaminer les aliments.
- Nettoyez le cadre de la bouteille, les étagères et les tiroirs avec un chiffon doux humidifié d'eau savonneuse ou de détergent dilué. Séchez avec un chiffon doux ou laissez sécher naturellement.
- Essuyez la surface extérieure du réfrigérateur avec un chiffon doux humidifié d'eau savonneuse, de détergent, etc., puis essuyez-la à sec.
- Ne pas utiliser de brosses dures, de boules d'acier nettoyantes, de brosses métalliques, d'abrasifs (comme les dentifrices), de solvants organiques (comme l'alcool, l'acétone, l'essence de banane, etc.), d'eau bouillante, d'acides ou d'articles alcalins, qui pourraient endommager la surface et l'intérieur du réfrigérateur. L'eau bouillante et les solvants organiques tels que le benzène peuvent déformer ou endommager les pièces en plastique.
- Ne pas rincer directement avec de l'eau ou d'autres liquides pendant le nettoyage pour éviter les courts-circuits ou affecter l'isolation électrique après immersion.

⚠ Veuillez débrancher le réfrigérateur pour le dégivrage et le nettoyage.



4.2 Nettoyage du plateau de porte



(L'image ci-dessus est uniquement à titre de référence. La configuration réelle dépendra du produit physique ou de la déclaration du distributeur)

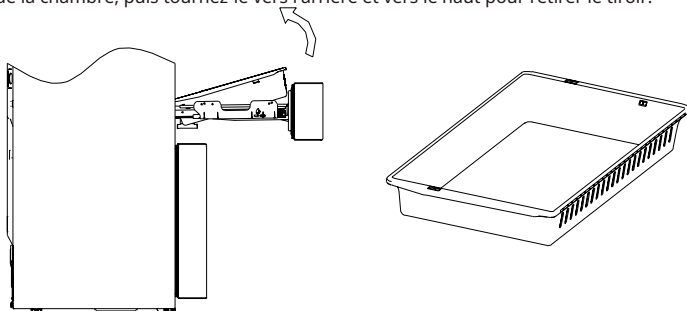
- Selon la flèche de direction dans la figure ci-dessous, utilisez vos deux mains pour presser le plateau, et poussez-le vers le haut, puis vous pouvez le retirer.
- Après avoir lavé le plateau retiré, vous pouvez ajuster sa hauteur d'installation selon vos besoins.

4. ENTRETIEN ET SOIN DES RÉFRIGÉRATEURS

4.3 Nettoyage des tiroirs

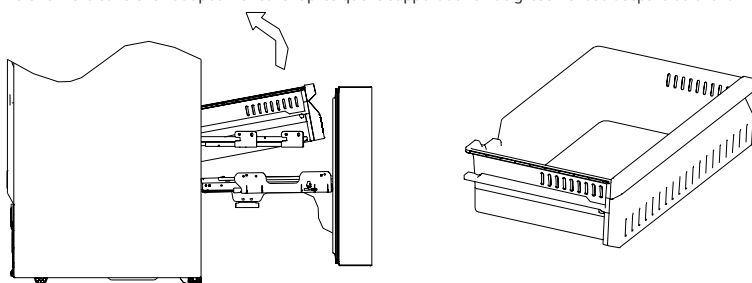
Dessin et étirement du tiroir de température variable

Ouvrez la porte de température variable au maximum, tenez les côtés gauche et droit du tiroir de température variable avec les deux mains, soulevez la queue, exercez un peu de force pour tirer tout le tiroir en arrière d'environ 15 mm jusqu'à ce que la griffe de support du rail coulissant soit séparée du tiroir, puis soulevez l'extrémité avant du tiroir à un certain angle, tenez le tiroir et déplacez-le horizontalement vers l'intérieur de la chambre, puis tournez-le vers l'arrière et vers le haut pour retirer le tiroir.



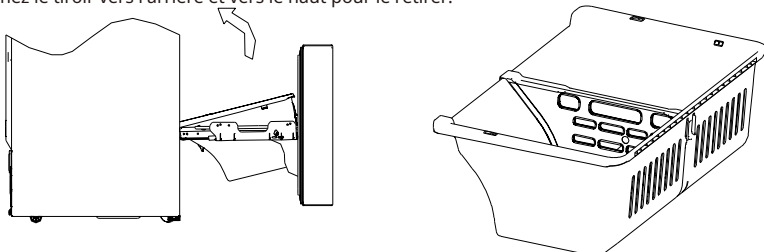
Tiroir supérieur du congélateur

Ouvrez la porte de la chambre de congélation au maximum, soulevez la queue du tiroir supérieur de la chambre de congélation, tirez sur le rail de glissement pour qu'il ne puisse pas sauter, poussez le tiroir vers l'avant pour séparer le tiroir de la griffe de support du rail de glissement. Séparez le tiroir sur le côté de la griffe de support du rail de glissement avec la même méthode. Tournez le tiroir vers l'arrière et vers le haut pour le retirer après que le support du rail de glissement soit séparé du tiroir.



Tiroir supérieur du congélateur

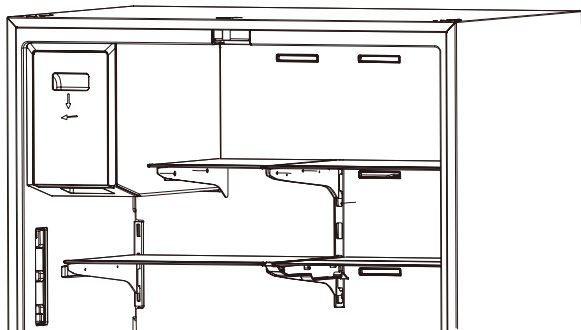
Ouvrez la porte de la chambre de congélation au maximum, tenez les côtés gauche et droit du tiroir inférieur de la chambre de congélation, soulevez la queue du tiroir pour tirer le tiroir entier d'environ 15 mm vers l'extérieur de la chambre jusqu'à ce que la griffe de support du rail coulissant soit séparée du tiroir, et tournez le tiroir vers l'arrière et vers le haut pour le retirer.



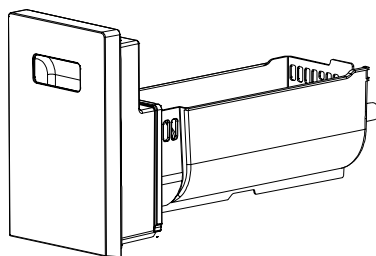
4. ENTRETIEN ET SOIN DES RÉFRIGÉRATEURS

4.4 Nettoyage du bac de stockage de glace

La boîte de stockage de glace peut être retirée lorsque de grandes quantités de glace, de nettoyage ou toute autre exigence spécifique sont nécessaires. S'il vous plaît assurez - vous de le retourner rapidement après utilisation.



1. Pour retirer la boîte à glace, tenez la poignée et tirez - la doucement horizontalement. La boîte de rangement doit pouvoir glisser en douceur;



2. Poussez légèrement le bac de stockage de glace après le nettoyage.

Remarque : Veuillez retirer la glace à temps qui tombe dans la chambre de fabrication de glace lors du retrait.

4. ENTRETIEN ET SOIN DES RÉFRIGÉRATEURS

4.5 Décongélation

- Le réfrigérateur est conçu sur la base du principe de refroidissement par air et dispose donc d'une fonction de dégivrage automatique. Le givre formé en raison du changement de saison ou de température peut également être retiré manuellement en débranchant l'appareil de l'alimentation électrique ou en essuyant avec une serviette sèche.

4.6 Hors service

- Panne de courant : En cas de panne de courant, même en été, les aliments à l'intérieur de l'appareil peuvent être conservés pendant plusieurs heures ; pendant la panne de courant, le nombre d'ouvertures de porte doit être réduit, et aucun aliment frais ne doit être ajouté à l'appareil.
- Longue période de non-utilisation : L'appareil doit être débranché puis nettoyé ; ensuite, les portes doivent être laissées ouvertes pour éviter les odeurs.
- Déplacement : Avant de déplacer le réfrigérateur, retirez tous les objets à l'intérieur, fixez les cloisons en verre, le bac à légumes, les tiroirs de la chambre de congélation, etc. avec du ruban adhésif, et serrez les pieds de nivellement ; fermez les portes et fixez-les avec du ruban adhésif. Pendant le déplacement, l'appareil ne doit pas être mis à l'envers ou horizontalement, ni être secoué ; l'inclinaison pendant le déplacement ne doit pas dépasser 45°.

5 DÉPANNAGE

5.1 Vous

Pouvez essayer de résoudre les problèmes simples suivants par vous-même. Si vous ne parvenez pas à les résoudre, veuillez contacter le service après-vente.

Opération échouée	Vérifiez si l'appareil est connecté à l'alimentation ou si la prise est bien en contact Vérifiez si la tension est trop basse Vérifiez s'il y a une panne de courant ou si des circuits partiels ont disjoncté
Odeur	Les aliments odorants doivent être soigneusement emballés Vérifiez s'il y a des aliments pourris Nettoyez l'intérieur du réfrigérateur
Fonctionnement prolongé du compresseur	Il est normal que le réfrigérateur fonctionne longtemps en été lorsque la température ambiante est élevée Il n'est pas recommandé d'avoir trop de nourriture dans l'appareil en même temps. La nourriture doit refroidir avant d'être placée dans l'appareil. Les portes sont ouvertes trop fréquemment
La lumière ne s'allume pas	Vérifiez si le réfrigérateur est connecté à l'alimentation et si la lumière d'éclairage est endommagée Faites remplacer la lumière par un spécialiste
Les portes ne peuvent pas être fermées correctement	La porte est bloquée par des emballages alimentaires Trop de nourriture est placée Le réfrigérateur est incliné
Bruit fort	Vérifiez si le sol est de niveau et si le réfrigérateur est placé de manière stable Vérifiez si les accessoires sont placés aux emplacements appropriés
Le joint de porte ne se ferme pas correctement	Retirez les corps étrangers sur le joint de porte Chauffez le joint de porte puis refroidissez-le pour le restaurer (ou utilisez un sèche-cheveux électrique ou une serviette chaude pour le chauffer)
Débordement du bac à eau	Il y a trop de nourriture dans la chambre ou la nourriture stockée contient trop d'eau, ce qui entraîne un dégivrage important Les portes ne sont pas correctement fermées, ce qui entraîne du givre en raison de l'entrée d'air et une augmentation de l'eau due au dégivrage
Boîtier chaud	Dissipation de chaleur du condenseur intégré via le boîtier, ce qui est normal Lorsque le boîtier devient chaud en raison d'une température ambiante élevée, d'un stockage excessif d'aliments ou de l'arrêt du compresseur, assurez une bonne ventilation pour faciliter la dissipation de chaleur
Condensation en surface	La condensation sur la surface extérieure et les joints de porte du réfrigérateur est normale lorsque l'humidité ambiante est trop élevée. Essuyez simplement la condensation avec un torchon propre.
Bruit anormal	Bruit : Le compresseur peut produire des bruits pendant le fonctionnement, et les bruits sont particulièrement forts au démarrage ou à l'arrêt. Ceci est normal. Craquement : Le fluide frigorigène circulant à l'intérieur de l'appareil peut produire des craquements, ce qui est normal.

5 DÉPANNAGE

<p>La machine à glaçons ne fabrique pas de glace</p>	<p>Après avoir installé la ligne d'eau et démarré le réfrigérateur, il faut 12 heures pour commencer à fabriquer de la glace. Veuillez activer la fonction de fabrication de glace (voir les instructions de l'interface utilisateur). Vérifiez si la pression de l'eau est comprise entre 30 et 100 psi et si la ligne d'eau est connectée normalement. Vérifiez si la vanne d'arrivée d'eau est ouverte et si le tuyau d'eau est plié. Vérifiez si le bac de stockage de glace est installé.</p>
<p>Aucune glace n'est évacuée.</p>	<p>Vérifiez s'il y a de la glace dans le bac de stockage de glace. Vérifiez si la glace fond et adhère. Si la glace n'est pas utilisée pendant longtemps, veuillez vider le bac de stockage de glace et éteindre la machine à glaçons. Vérifiez si la ligne d'eau est connectée normalement, si la vanne d'arrivée d'eau est ouverte et si le tuyau d'eau est plié. La fonction de décharge de glace ne peut être utilisée que lorsque la porte de la chambre de réfrigération est fermée. Vérifiez si le bac de stockage de glace est installé. Vérifiez si le bac de stockage de glace est installé.</p>
<p>Aucune eau n'est évacuée.</p>	<p>Vérifiez si la ligne d'eau est connectée normalement, si la vanne d'arrivée d'eau est ouverte et si le tuyau d'eau est plié. Le filtre ou le bouchon anti-poussière doit être installé avant que l'eau ne puisse être évacuée. Vérifiez si le filtre ou le bouchon anti-poussière est bien installé en place.</p>
<p>La vitesse d'évacuation de l'eau est lente.</p>	<p>Vérifiez si la pression de l'eau est comprise entre 30 et 100 psi. Veuillez remplacer le filtre.</p>
<p>De l'eau goutte du distributeur d'eau</p>	<p>Il est normal qu'il y ait quelques gouttes d'eau qui tombent du distributeur d'eau. Cependant, si l'eau continue de goutter, veuillez vérifier la connexion de la ligne d'eau.</p>
<p>L'eau a un mauvais goût</p>	<p>Si le réfrigérateur n'est pas utilisé pendant plus de quatre jours, vidangez au moins un gallon d'eau. Remplacez le filtre à temps.</p>

5 DÉPANNAGE

Fuite d'eau	<ol style="list-style-type: none"> 1. Filtre à eau : Si le réfrigérateur continue de fuir après avoir connecté l'eau, et que la fuite est importante et évidente, remplacez le connecteur du filtre. 2. Vanne d'eau CA : Si la fuite est importante et évidente, vérifiez si la structure d'étanchéité de la vanne d'eau est défectueuse ; si oui, remplacez la vanne d'eau. 3. Réservoir d'eau : Si la fuite d'eau n'est pas évidente, si la fuite d'eau se produit lors de l'utilisation du distributeur et que la fuite est faible, et qu'elle s'accumule au fond de la chambre froide, veuillez remplacer le réservoir. 4. Vérifiez si la coupe du tuyau d'eau est irrégulière ou présente des bavures. Si oui, veuillez couper le tuyau d'eau et le rendre plat. 5. Si la surface du tuyau d'eau est endommagée après des insertions et retraits répétés, coupez le tuyau d'eau endommagé. 6. Si le tuyau d'eau n'est pas correctement inséré, veuillez l'insérer dans la position marquée.
Pas d'écoulement d'eau	<ol style="list-style-type: none"> 1. Testez la fonction du distributeur : appuyez sur la plaque du distributeur pour voir si la lumière du distributeur s'allume, appuyez sur le bouton de glace pour vérifier si le moteur à glace fonctionne. 2. Pour vérifier si les tuyaux d'eau dans la pièce du réfrigérateur sont gelés ou non, l'utilisateur peut éteindre le réfrigérateur et tester si de l'eau sort après avoir ouvert la porte pendant 1h. 3. Défaut de la vanne d'eau : après avoir éliminé la possibilité de tuyaux d'eau gelés, remplacez la vanne d'eau et testez si la sortie d'eau est normale. 4. Défaillance de la plaque à glace : remplacez la plaque à glace et testez. 5. Vérifiez si le connecteur unidirectionnel est connecté à l'envers.
Écoulement lent de l'eau	<ol style="list-style-type: none"> 1. Changer le filtre à eau. 2. Vérifiez si le tuyau est cassé ou non. 3. Vérifiez si la pression de l'eau est normale ou non.
Pas de glace (code d'erreur)	<ol style="list-style-type: none"> 1. F4/EE etc. signifie défaut du capteur de fabrication de glace, vérifiez si le capteur n'a pas été correctement inséré. 2. E0/F6 signifie une erreur d'initialisation de la machine à glaçons après le démarrage de la machine à glaçons. Besoin de remplacer la machine à glaçons et de mettre sous tension pour exécuter le mode test. 3. EP/F5 signifie une erreur de libération de glace : Mauvaise position à la sortie de la glace, besoin de remplacer la machine à glaçons et d'exécuter le mode test. 4. E6/CA signifie une défaillance de communication, il est nécessaire de remplacer la carte PCB par une nouvelle. 5. Si le réfrigérateur émet un son d'alarme, qu'il n'affiche aucun code d'erreur et qu'il n'y a pas de glace, cela signifie que le commutateur de porte n'est pas installé correctement, il est nécessaire de l'installer correctement.
Pas de glace (composants principaux)	<ol style="list-style-type: none"> 1. Défaillance de la vanne d'eau : Remplacez directement la vanne d'eau pour EYE lorsque le distributeur d'eau est normal. 2. Effectuez le test en mode forcé de la machine à glaçons pour vérifier si la tige de sonde de glace est bloquée ou gelée ; si oui, il faut remplacer la machine à glaçons. 3. Si la température de la chambre froide ne atteint pas le point de température de dégivrage, cela doit être traité comme une anomalie de réfrigération. 4. Déterminez la valeur de résistance du capteur pour déterminer si la température du capteur est anormale . 5. La défaillance du chauffage du tuyau d'entrée provoque un blocage par le gel (inspection visuelle).
Pas de glace (autres problèmes)	<ol style="list-style-type: none"> 1. Le robinet d'eau était fermé. 2. La fonction de fabrication de glace est désactivée. 3. L'entrée d'eau était bloquée. 4. Le fabricant de glace n'a pas été correctement installé.
Pièces endommagées	Observer l'état du noyau du fabricant de glace : s'il y a des fissures, des chutes ou d'autres phénomènes, si ce n'est pas le cas, effectuer une inspection visuelle.

6 GARANTIE



Garantie et Service

Ce produit a été fabriqué par Thor International, 4651 E Airport Dr, Ontario, CA 91761

Pour le Service Client, veuillez appeler le (877) 288 - 8099

Pour la politique de garantie et de service la plus récente, veuillez consulter notre site web WWW.THORKITCHEN.COM/WARRANTY-REGISTRATION

Pour les demandes de service sous garantie, veuillez visiter notre site Web à WWW.THORKITCHEN.COM/SERVICE

Veuillez noter : Vous devez fournir une preuve d'achat ou de date d'installation pour toute demande de service sous garantie

BIENVENUE AU CLUB

Vous avez choisi THOR Kitchen pour améliorer votre parcours culinaire et nous sommes ravis de vous avoir dans le club. Pensez-y comme à une société secrète de personnes vraiment avisées, comme vous, choisissant la puissance et les performances professionnelles à un prix abordable.



Enregistrez votre produit en suivant les étapes ci-dessous.

ENREGISTREMENT DE LA GARANTIE



01

Scannez le code QR ou visitez
thorkitchen.com/garantie



02

Saisissez les informations de votre produit C'est fait.
et sélectionnez enregistrer



03

C'est parti pour la cuisine.

GARANTIE



BESOIN DE PIÈCES ?

