



**Product:** Gordon Ramsay by THOR Kitchen 36 Inch 20.3 Cu Ft French Door Counter Depth Refrigerator With Ice Maker In Matte Black  
**Model Number:** RF3621CTD00

### FEATURES & BENEFITS

- + Fast Freezing and Fast Cooling:** Quickly freeze and cool your food to maintain optimal freshness and taste.
- + Multi-Flow Air System:** Dual vents on every shelf for even air distribution, ensuring long-lasting food freshness throughout the refrigerator.
- + Inverter Compressor:** Maintains consistent food freshness with quieter, more efficient operation and less wear than traditional compressors.
- + Electronic Touch Controls:** Adjust settings directly on the door for convenience and ease of use
- + Control Panel Lock:** Prevents unintended changes to settings, providing peace of mind and added safety.
- + Door Opening Alarm:** Alerts you if the door is left open, helping to maintain temperature and save energy.
- + Interior LED Lights:** Illuminate your refrigerator interior with bright, energy-efficient lighting.
- + Full-Width Adjustable Shelves:** Customize your storage space with fully adjustable shelves to accommodate items of all sizes.
- + Vacation Mode:** Automatically adjusts temperatures to 43°F for the refrigerator and 5°F for the freezer to save energy while you're away.

### TECHNICAL DETAILS

Installation Type	Freestanding
Total Capacity	20.3 cu. ft.
Refrigerator Capacity	14.2 cu. ft.
Freezer Capacity	6.1 cu. ft.
Watts	190 W
Amperage	15 Amps, Dedicated circuit required
Volts	115V
Frequency	60Hz
Plug Type	3-Prong Plug
Power Cord Length	94"



**WARRANTY: 2 YEARS PARTS AND LABOR**





**STAINLESS STEEL**  
RF3621CTD00-SS



**BLUE**  
RF3621CTD00-BLU



**BRONZE**  
RF3621CTD00-BRZ



**ROSE GOLD**  
RF3621CTD00-RSG



**GENERAL PROPERTIES**

Number Of Door Bins	6
Number Of Shelves	3
Number Of Freezer Baskets	1
Shelf Material	Glass With Stainless Steel Trim
Lighting	LED

**REFRIGERATOR FEATURES**

6 pcs Gallon Bottle Storage
Child Lock / Energy Saving & Vacation Mode/ Fast Cooling
Humidity Controlled Crispers
Fridge Temperature Range: 35~46°F (2~8°C)

**FREEZER FEATURES**

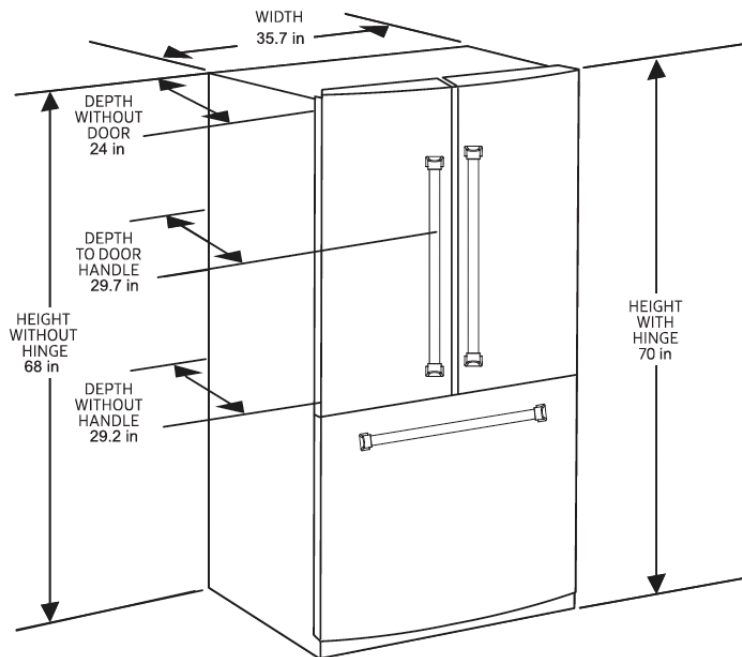
Automatic Ice Maker Produces Up To 3.8 Pounds Of Ice Daily
Fast Freezing
Freezer Temperature Range: -10~5°F (-23~ -15°C)
No Frost Design

**PRODUCT DIMENSIONS & WEIGHTS**

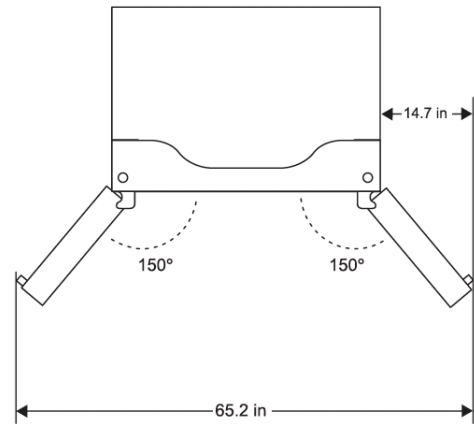
Product Dimensions (WxDxH)	36" x 30-1/8" x 70"
Product Depth Excluding Handles	27-5/8"
Product Depth Including Handles	30-1/8"
Product Depth Excluding Door	24-5/8"
Product Depth With Door Open 90 Degrees	43-1/4"
Product Height To Top Of Door Hinge	70"
Product Height To Top Of Refrigerator	68"
Cutout Dimensions (WxDxH)	36" x 26" x 72"
Net Weight	231 lbs
Package Dimensions (WxDxH)	38-1/8" x 29-1/2" x 73-7/8"
Package Weight	255 lbs

**ACCESSORIES INCLUDED**

Water Pipe
Ice Scoop
Ice Storage Box



TOP OF REFRIGERATOR WITH DOORS OPEN 150°



TOP OF REFRIGERATOR WITH DOOR OPEN 90°

