

21.8 cu. ft. 30" Wide French Door Refrigerator

- 30" Width
- 21.8 cu. ft. Capacity
- Water Dispenser
- Smart Cooling® System
- LED Lighting
- Factory Installed Ice Maker
- Filtered Ice & water
- LoDecibel™ Quiet Operation
- SmartDiagnosis™



COLOR AVAILABILITY

● LFDS22520S – Stainless Steel

CAPACITY

Refrigerator (cu. ft.)	14.5
Freezer (cu. ft.)	7.3
Total Capacity (cu. ft.)	21.8

ENERGY

Energy Consumption (kWh / Year)	587
ENERGY STAR® Qualified	Yes

WATER & ICE SYSTEM

Ice & Water Dispenser	Water Only Dispenser
Dispenser Type	Integrated Water
Measured Fill	No
Dual Ice Maker	No
Ice System	Factory Installed Ice Maker
Daily Ice Production	2.8 lbs.
IcePlus™ Production	3.1 lbs.
Ice Storage Capacity	12.0 lbs.
Water Filter	LT700P (NSF-Certified*)

COOLING

Compressor Type	Linear Compressor
Dual Evaporators	No
Cooling System	Smart Cooling®
Multi-Air Flow™ System	Yes
Door Cooling+	No
Temperature Sensors	4
Fresh Air Filter	No

CONVENIENCE

Display Type	Membrane / White LED
Temperature Controls	Electronic / Digital
Door Alarm	Yes
Child Lock	Yes
Auto Closing Door Hinge	No
ADA Compliant	No
Sabbath Mode	No
LoDecibel™ Quiet Operation	Yes

REFRIGERATOR

No. of Shelves	4 Split
Cantilevered Shelves	Hybrid Cantilevered
Shelf Construction	Spill Protector™ Tempered Glass
Crisper Bins	2 Humidity Crispers
Glide N' Serve™ Pantry Drawer	Yes
Cool Guard	No
Refrigerator Light	Ceiling LED

REFRIGERATOR DOOR

InstaView™ Door-in-Door®	No
Door-in-Door® with ColdSaver™ Panel	No
No. of Door Bins	7 Total (5 Gallon Sized, 2 Half)
Door Bin Construction	2 Pieces (Clear + Opaque)

FREEZER

Freezer Type	Pull Drawer
Freezer Drawers	2-Tier Organization
DuraBase™ Solid Drawer Base	Yes
Drawer Divider	Yes
Ice Storage	Ice Maker & Ice Bin in Freezer
Freezer Light	LED Lighting
Freezer Handle	Matching Handle

SMART FEATURES

Wi-Fi Enabled	No
ThinQ®	No
SmartDiagnosis™	Yes

MATERIALS AND FINISHES

Hidden Hinges	Yes
Surface	Smooth
Fingerprint & Smudge Resistant Exterior	No
Handles	Matching Handles

ACCESSORIES

Replacement Water Filter	LT700P
--------------------------	--------

TECHNICAL SPECS

Required Power Supply	115 V, 60 Hz, 15 Amp
Plug Type	3-Prong
Power Cord Location	Back
Min. / Max. Water Pressure	40 - 120 psi

DIMENSIONS / CLEARANCES / WEIGHTS

Depth with Handles	35 1/2"
Depth without Handles	33"
Depth without Door	29"
Depth (Total with Door Open)	44 3/4"
Height to Top of Case	67 1/4"
Height to Top of Door Hinge	68 1/2"
Width	29 3/4"
Width (Door Open 90° with Handle)	38 1/4"
Width (Door Open 90° without Handle)	33 1/4"
Door Edge Clearance with Handle	4 1/4"
Door Edge Clearance without Handle	2"
Installation Clearance	Sides 1/8", Top 1", Back 2"
Approx. Weight (Product / Carton)	237 lbs. / 259 lbs.
Carton Dimensions (WxHxD)	31 1/2" x 69 3/8" x 37 3/4"

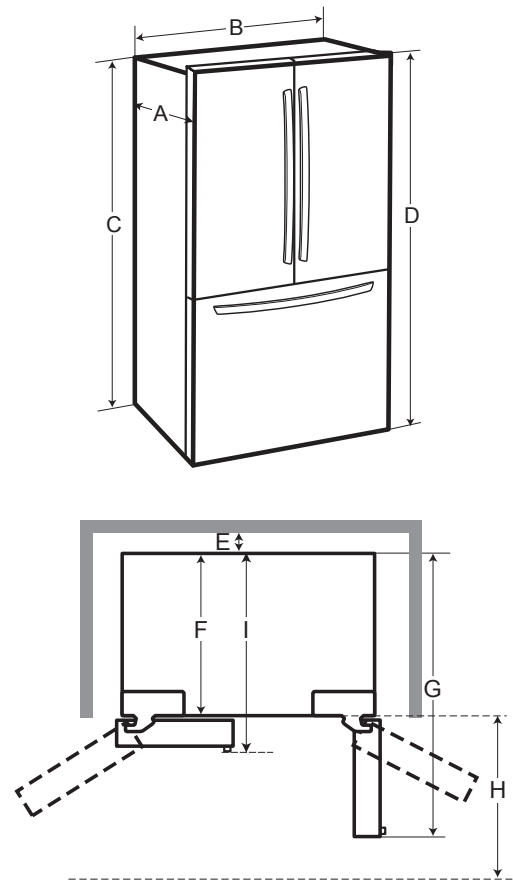
LIMITED WARRANTY

Parts & Labor	1 Year
Sealed System (Parts & Labor)	5 Years
Compressor (Parts & Labor)	5 Years
Linear / Inverter Compressor (Parts Only)	10 Years



*System tested and certified by NSF® International against NSF / ANSI Standard 42 and Standard 53.

DIMENSIONS / CLEARANCES



DIMENSIONS / CLEARANCES

A	Depth without Handles	33" (838 mm)
B	Width	29 3/4" (756 mm)
C	Height to Top of Case	67 1/4" (1708 mm)
D	Height to Top of Hinge	68 1/2" (1740 mm)
E	Back Clearance	2" (51 mm)
F	Depth without Door	29" (737 mm)
G	Depth (Total with Door Open 90°)	44 3/4" (1137 mm)
H	Front Clearance	24" (610 mm)
I	Depth with Handle	35 1/2" (902 mm)

INSTALLATION NOTES

- The installation location chosen for the refrigerator should allow space behind the unit for connections and airflow and space in front to open the doors and drawers.
- Too small of a distance from adjacent items may result in lowered freezing capability and increased electricity consumption charges. Allow at least 24 inches (610 mm) in front of the refrigerator to open the doors, and at least 2 inches (50.8 mm) between the back of the refrigerator and the wall.