

SOFIA PROFESSIONAL SERIES 600 36"



CODE ID

36" PROFESSIONAL HOOD

F6PH36S1

1 FAN - SLIDER



Filtering



CFM max 600



4 LED lamps



Noise Level 72 (dB)



Wall hung installation

CODE ID

F6PH36DS1

2 FAN - KNOBS



Filtering



CFM max 1000



4 LED lamps



Noise Level 75 (dB)



Wall hung installation



HOOD F6PH36S1

Scotch brite stainless steel (AISI 430)
Slider controls
LED lighting: Led 4x1.2 W - 3200 K
One fan motor
CFM max 600
72 dB sound rating
Baffle filter

Minimum distance:

- Electric hob 20 1/2" - 52 cm
- Gas hob 24 3/4" - 63 cm

HOOD F6PH36DS1

Scotch brite stainless steel (AISI 430)
Heavy Duty Control Panel with Knobs
4 + 4 Speed - Mechanical Control
LED lighting: Led 4x1.2 W - 3200 K
Dual fan motors
CFM max 1000
75 dB sound rating
Baffle filter

Minimum distance:

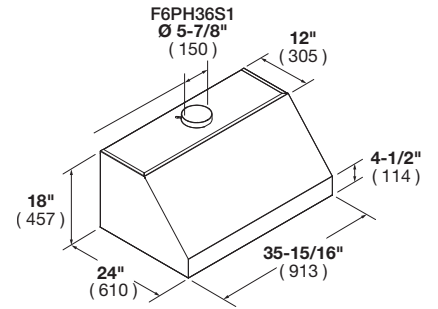
- Electric hob 20 1/2" - 52 cm
- Gas hob 24 3/4" - 63 cm

OPTIONAL ACCESSORIES

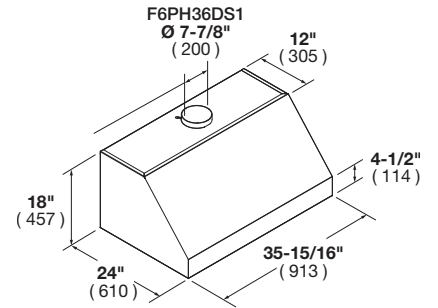
F6CK36-12 Chimney cover
FMFIL Charcoal filter

SOFIA

36" PROFESSIONAL HOOD



CODE ID	F6PH36S1 - 36" PROFESSIONAL HOOD	
Series and Finish	600 Series - Professional Design - Stainless Steel (AISI 430)	
CONTROL PANEL		
Control Type	4 speed mechanical control	
PERFORMANCES		
Output (CFM)	600	
Sound Level (dB)	72	
Motor	One	
Venting Type	Ducted and recirculating	
FEATURES		
Filter Style	Pro Baffle	
Lighting	2 x 1.2W LED	
Single duct diameter	5 - 15/16" (150 mm)	
DIMENSIONS/WEIGHT		
Overall dim - Width	35 - 7/8"	(910 mm)
Overall dim - Height	18"	(460 mm)
Overall dim - Depth	24"	(610 mm)
Gross Weight	70 lbs	(30 kg)
POWER / RATINGS (115 V, 60 HZ)		
Watts / Amps	430W - 3.8A	
Power Cable	Nema 5-15P	
INSTRUCTIONS FOR USE		
Use & Care Manual / Installation Manual	English / French / Spanish	



CODE ID	F6PH36DS1 - 36" PROFESSIONAL HOOD	
Series and Finish	600 Series - Professional Design - Stainless Steel (AISI 430)	
CONTROL PANEL		
Control Type	4 speed mechanical control	
PERFORMANCES		
Output (CFM)	1000	
Sound Level (dB)	75	
Motor	Twin Motor	
Venting Type	Ducted and recirculating	
FEATURES		
Filter Style	Pro Baffle	
Lighting	4 x 1.2W LED	
Single duct diameter	7 - 7/8" (200 mm)	
DIMENSIONS/WEIGHT		
Overall dim - Width	35 - 7/8"	(910 mm)
Overall dim - Height	18"	(460 mm)
Overall dim - Depth	24"	(610 mm)
Gross Weight	70 lbs	(30 kg)
POWER / RATINGS (115 V, 60 HZ)		
Watts / Amps	860W - 7.8A	
Power Cable	Nema 5-15P	
INSTRUCTIONS FOR USE		
Use & Care Manual / Installation Manual	English / French / Spanish	