

# SOFIA PROFESSIONAL SERIES 600 36"



CODE ID

36" PROFESSIONAL HOOD

**F6PH36S1**

1 FAN - SLIDER



Filtering



CFM max 600



4 LED lamps



Noise Level 72 (dB)



Wall hung installation

CODE ID

**F6PH36DS1**

2 FAN - KNOBS



Filtering



CFM max 1000



4 LED lamps



Noise Level 75 (dB)



Wall hung installation



## HOOD F6PH36S1

Scotch brite stainless steel (AISI 430)  
Slider controls  
LED lighting: Led 4x1.2 W - 3200 K  
One fan motor  
CFM max 600  
72 dB sound rating  
Baffle filter

Minimum distance:

- Electric hob 20 1/2" - 52 cm
- Gas hob 24 3/4" - 63 cm

## HOOD F6PH36DS1

Scotch brite stainless steel (AISI 430)  
Heavy Duty Control Panel with Knobs  
4 + 4 Speed - Mechanical Control  
LED lighting: Led 4x1.2 W - 3200 K  
Dual fan motors  
CFM max 1000  
75 dB sound rating  
Baffle filter

Minimum distance:

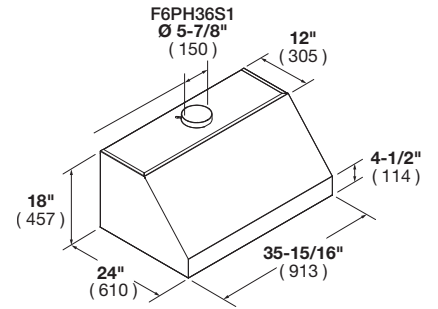
- Electric hob 20 1/2" - 52 cm
- Gas hob 24 3/4" - 63 cm

## OPTIONAL ACCESSORIES

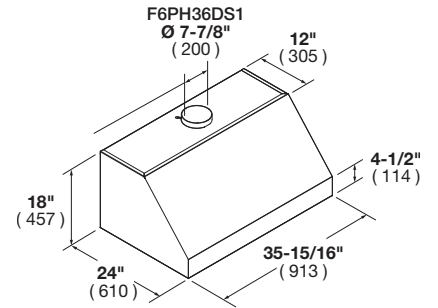
F6CK36-12 Chimney cover  
FMFIL Charcoal filter

# SOFIA

36" PROFESSIONAL HOOD



CODE ID	F6PH36S1 - 36" PROFESSIONAL HOOD	
Series and Finish	600 Series - Professional Design - Stainless Steel (AISI 430)	
<b>CONTROL PANEL</b>		
Control Type	4 speed mechanical control	
<b>PERFORMANCES</b>		
Output (CFM)	600	
Sound Level (dB)	72	
Motor	One	
Venting Type	Ducted and recirculating	
<b>FEATURES</b>		
Filter Style	Pro Baffle	
Lighting	2 x 1.2W LED	
Single duct diameter	5 - 15/16"	(150 mm)
<b>DIMENSIONS/WEIGHT</b>		
Overall dim - Width	35 - 7/8"	(910 mm)
Overall dim - Height	18"	(460 mm)
Overall dim - Depth	24"	(610 mm)
Gross Weight	70 lbs	(30 kg)
<b>POWER / RATINGS (115 V, 60 HZ)</b>		
Watts / Amps	430W - 3.8A	
Power Cable	Nema 5-15P	
<b>INSTRUCTIONS FOR USE</b>		
Use & Care Manual / Installation Manual	English / French / Spanish	



CODE ID	F6PH36DS1 - 36" PROFESSIONAL HOOD	
Series and Finish	600 Series - Professional Design - Stainless Steel (AISI 430)	
<b>CONTROL PANEL</b>		
Control Type	4 speed mechanical control	
<b>PERFORMANCES</b>		
Output (CFM)	1000	
Sound Level (dB)	75	
Motor	Twin Motor	
Venting Type	Ducted and recirculating	
<b>FEATURES</b>		
Filter Style	Pro Baffle	
Lighting	4 x 1.2W LED	
Single duct diameter	7 - 7/8"	(200 mm)
<b>DIMENSIONS/WEIGHT</b>		
Overall dim - Width	35 - 7/8"	(910 mm)
Overall dim - Height	18"	(460 mm)
Overall dim - Depth	24"	(610 mm)
Gross Weight	70 lbs	(30 kg)
<b>POWER / RATINGS (115 V, 60 HZ)</b>		
Watts / Amps	540W - 4.70A	
Power Cable	Nema 5-15P	
<b>INSTRUCTIONS FOR USE</b>		
Use & Care Manual / Installation Manual	English / French / Spanish	