

SOFIA PROFESSIONAL 48"



CODE ID

48" PROFESSIONAL GAS RANGE TOP

F6GRT486GS1



Heavy Duty Grates



Continuous Grate Surface



Dual Crescendo Burner



Trilaminar Stainless Steel Griddle



Professionally Styled Knobs

SPECIFICATIONS

GAS RANGE TOP

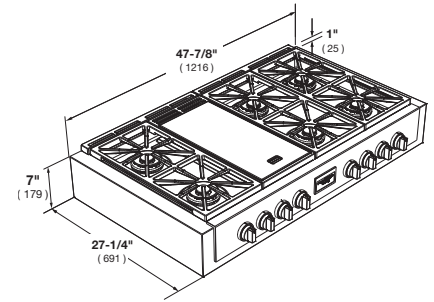
3 Heavy Duty, continuous cast iron grates
Matte finish porcelain burner bowl
Tubular Gas Burner 11,500 BTU high /
2,000 BTU low for the trilaminar griddle
6 Dual-Flame Crescendo Burners
4 X 18,000 BTU max (NG)
2 X 20,000 BTU max (NG)
Natural Gas (LP convertible)
Flat Griddle

OPTIONAL ACCESSORIES

FMWOK	Wok ring
FMSIM	Simmer plate
F6BG48BCI	Island trim
F6BG48STD	Standard trim
F6BG48HBT	High back trim

SOFIA

PROFESSIONAL GAS RANGE TOP



CODE ID	48" PROFESSIONAL RANGE TOP F6GRT486GS1	
Series and Finish	Professional Design - Stainless Steel	
COOKTOP		
Type	NG - Natural Gas / LP - Liquid Propane	
Cooking Surface	Black Enameled	
GAS COOKTOP FEATURES		
	Electric Re-ignition system	Dual Brass Crown Burners
	Flame-out sensing	Flat Griddle
	Top Mount Injectors	Pressure Regulator
	L.P. Conversion Kit	Heavy Duty Cast Iron Grates
Knob with minute minder	•	
COOKING ZONES	6 + Griddle	
Front Left		
Power (Max/ Min) - NG	20000 (BTU/h) - 5850W / 750 (BTU/h) - 220W	
Power (Max/ Min) - LP	15000 (BTU/h) - 4400W / 750 (BTU/h) - 220W	
Rear Left		
Power (Max/ Min) - NG	18000 (BTU/h) - 5300W / 750 (BTU/h) - 220W	
Power (Max/ Min) - LP	15000 (BTU/h) - 4400W / 750 (BTU/h) - 220W	
Central Middle "Left" GRIDDLE		
Power (Max) - NG	11500 (BTU/h) - 3370W	
Power (Max) - LP	11500 (BTU/h) - 3370W	
Front Middle		
Power (Max/ Min) - NG	18000 (BTU/h) - 5300W / 750 (BTU/h) - 220W	
Power (Max/ Min) - LP	15000 (BTU/h) - 4400W / 750 (BTU/h) - 220W	
Rear Middle		
Power (Max/ Min) - NG	18000 (BTU/h) - 5300W / 750 (BTU/h) - 220W	
Power (Max/ Min) - LP	15000 (BTU/h) - 4400W / 750 (BTU/h) - 220W	
Front Right		
Power (Max/ Min) - NG	20000 (BTU/h) - 5850W / 750 (BTU/h) - 220W	
Power (Max/ Min) - LP	15000 (BTU/h) - 4400W / 750 (BTU/h) - 220W	
Rear Right		
Power (Max/ Min) - NG	18000 (BTU/h) - 5300W / 750 (BTU/h) - 220W	
Power (Max/ Min) - LP	15000 (BTU/h) - 4400W / 750 (BTU/h) - 220W	
DIMENSION / WEIGHT		
Overall dim - width	47 - 7/8"	1216 mm
Overall dim - height	7"	179 mm
Overall dim - depth	29 - 3/4"	756 mm
POWER / RATINGS (208/240 V, 60 HZ)		
kW / Amps rating at 120-240V, 60Hz	3,2 A	
Cable + Plug	Nema 5-15P	
INSTRUCTIONS FOR USE		
Use & Care Manual / Installation Manual	English / French / Spanish	