

OWNER'S MANUAL

5 PERSON CHEF'S TABLE

TABLE OF CONTENTS

ASSEMBLY GUIDE	02
ACTIVATE YOUR WARRANTY	03



For the latest version of this manual, scan this code or visit BlackstoneProducts.com/support

IMPORTANT:

This instruction manual contains important information necessary for the proper assembly and safe use of the appliance.

Read and follow all warnings and instructions before assembling and using the appliance.

Follow all warnings and instructions when using the appliance.

Keep this manual for future reference.

Installer/Assembler: Leave these instructions with the consumer.

SAFETY ALERT KEY

⚠ DANGER

Indicates a hazardous situation that, if not avoided, will result in death or serious injury.

⚠ WARNING

Indicates a hazardous situation that, if not avoided, could result in death or serious injury.

⚠ CAUTION

Indicates a hazardous situation that, if not avoided, could result in minor or moderate injury.

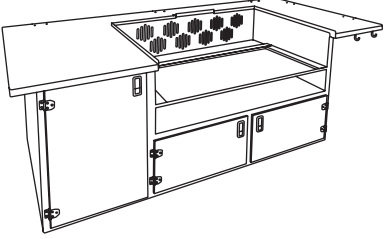


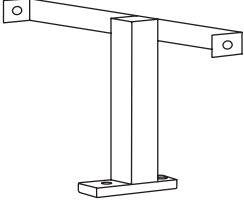

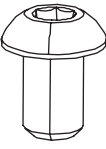
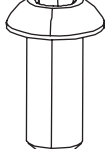
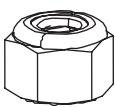
NOTICE

Indicates information considered important, but not hazard-related (e.g. messages related to property damage).

ASSEMBLY GUIDE

PARTS LIST

ENGLISH

<p>1 Table (1 piece)</p> 	<p>2 Long bar counter (1 piece)</p> 	<p>3 Short bar counter (1 piece)</p> 		
<p>4 Bar supports (5 pieces)</p> 	<p>5 Caster wheels (4 pieces)</p> 	<p>a. 5/16"x1/2" caster plate bolts (16 pieces)</p> 	<p>b. 1/4"x1" bar counter bolts (22 pieces)</p> 	<p>c. 1/4" bar counter lock nuts (22 pieces)</p> 

ASSEMBLY INSTRUCTIONS

Find a large, clean area to assemble your appliance.
Remove all packing material before assembling.

CAUTION

Sharp edges. Wear gloves while assembling.

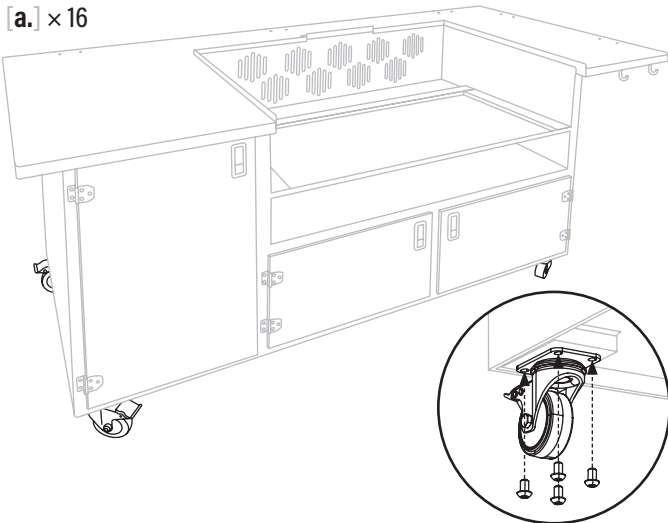


TOOLS INCLUDED:

- 5/32 allen wrench
- 3/16 allen wrench

STEP 01 With the 3/16" wrench, use sixteen (16) 5/16"x1/2" caster plate bolts **[a.]** to attach four (4) caster wheels to the bottom of the table.

[a.] × 16

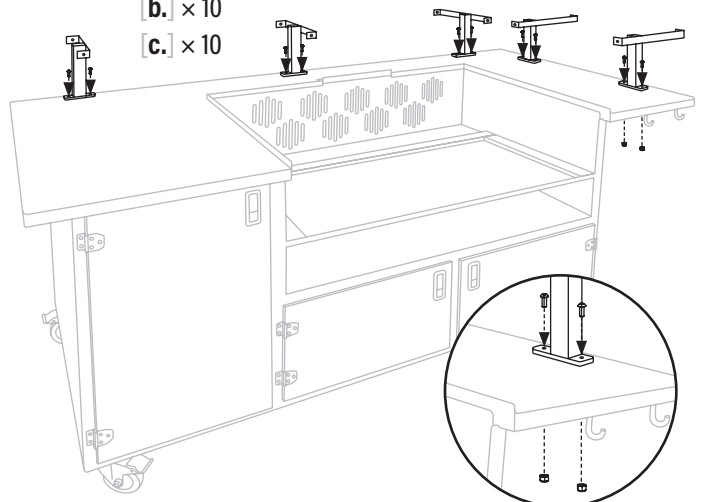


STEP 02 Use ten (10) 1/4"x1" bar counter bolts **[b.]** and ten (10) 1/4" bar counter lock nuts **[c.]** to attach the five (5) bar supports to the top of the table.

Note: DO NOT full tighten the bolts yet.

[b.] × 10

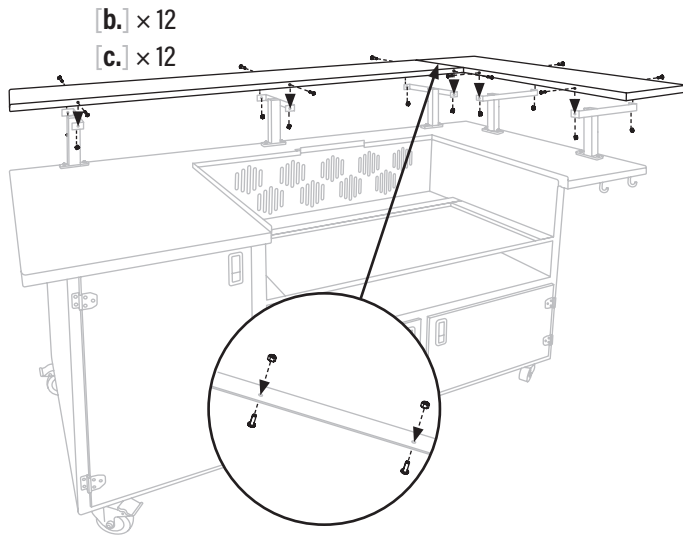
[c.] × 10



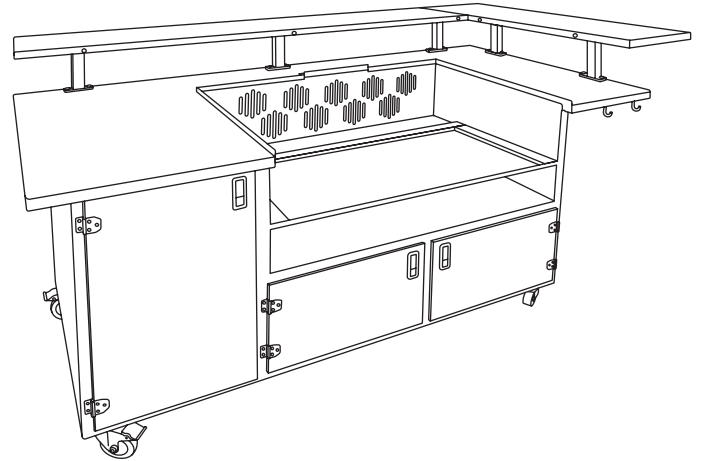


STEP 03 Use ten (10) 1/4"x1" bar counter bolts [b.] and ten (10) 1/4" bar counter lock nuts [c.] to attach the long and short bar counters to the bar supports.

Use two (2) 1/4"x1" bar counter bolts [b.] and two (2) 1/4" bar counter lock nuts [c.] to attach the short bar counter to the long bar counter. Use the 5/32" wrench to tighten all bolts.



STEP 04 Please reference the **36" GRIDDLE: CHEF'S TABLE DROP-IN** manual for installation instructions.



ACTIVATE YOUR WARRANTY

Blackstone Products warrants this Griddle Cabinet against defects in materials and workmanship for a period of one (1) year from the original date of purchase under normal use. To the extent any such defects occur, Blackstone Products, in its discretion, will provide the appropriate replacement part(s) at no charge.

In no event shall Blackstone Products, LLC be liable for consequential, indirect or incidental damages resulting from the installation, use or failure of the product.

This warranty does not cover:

- Inspection costs or labor for replacement of any defective part(s);
- Cosmetic defects which DO NOT affect product performance or integrity;
- Normal wear and tear;
- Damage due to vandalism; acts of nature, including but not limited to wind, storms, hail, floods;
- Improper assembly, installation, or use;
- Discoloration or fading of the finish as a result of exposure to chemicals, spills, pool or salt water
- Corrosion / rust.

Your Griddle Cabinet has been designed for safety and quality. Any modifications made to the original product could compromise its structural integrity or function and could lead to product failure or personal injury. As such, modifying this product voids all warranties.

This product is warranted for RESIDENTIAL USE ONLY, and is not for commercial, contract or other non-residential purposes. Blackstone Products disclaims all other representations and warranties of any kind, express or implied.

The warranty applies to the original purchaser and is non-transferable. It does not apply to purchases of display models, or when the product is sold on clearance or "as is". To activate your warranty, register your product at www.BlackstoneProducts.com/register.

Blackstone Products, LLC makes no warranty whatsoever in respect to accessories or parts not supplied with it. This warranty shall apply only within the boundaries of the United States of America and Canada. This warranty gives the original purchaser specific rights, and the original purchaser may also have other rights, which vary from state to state.

This warranty is the exclusive warranty of Blackstone Products, LLC and is in lieu of all other warranties expressed or implied. Blackstone Products, LLC reserves the right to change or modify this warranty at any time.



Register your product at
BlackstoneProducts.com/register



This product may be covered by one or more issued U.S. and/or international patents and may include patent applications pending. For more information, please visit: BlackstoneProducts.com/patents