

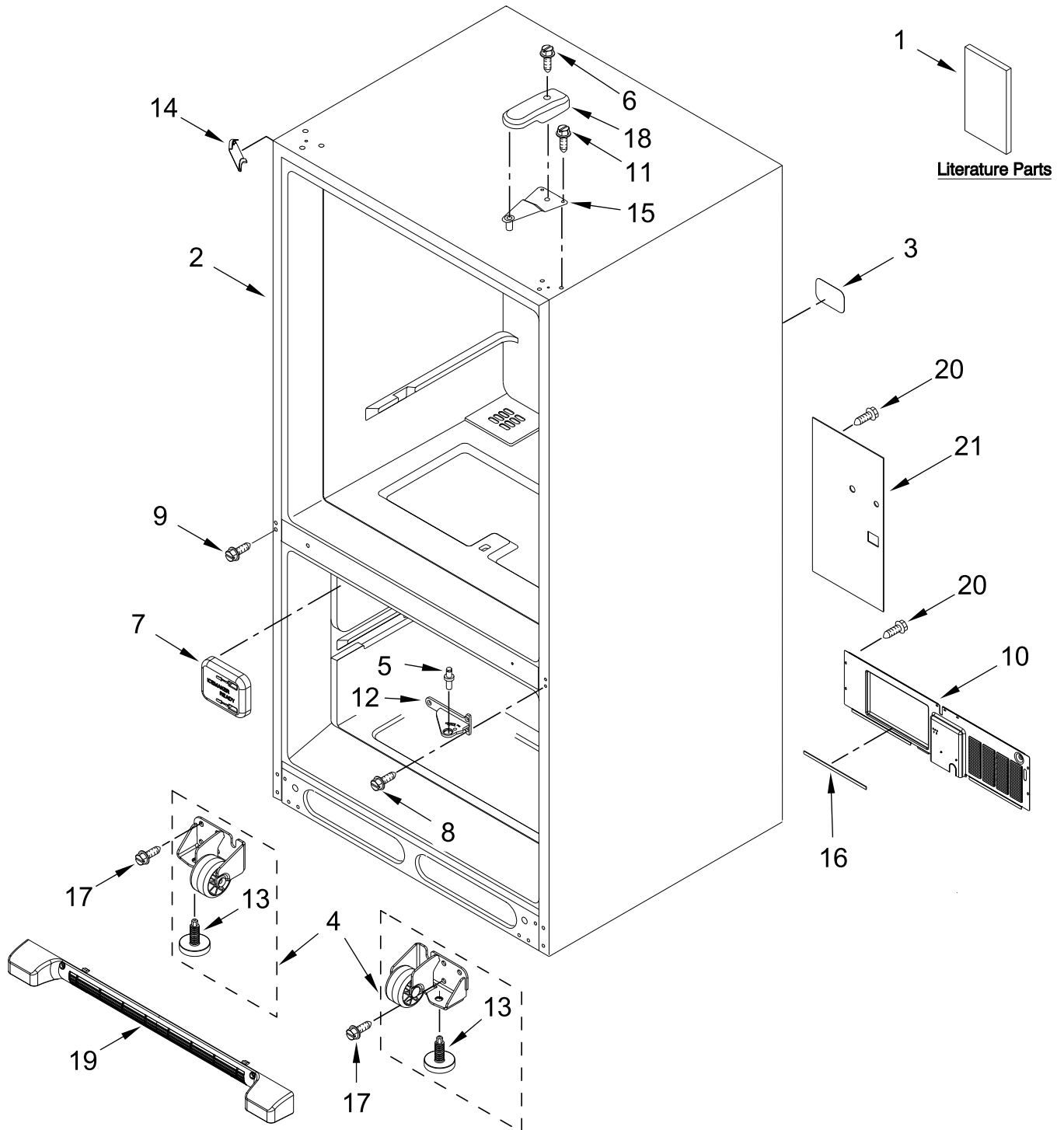
AMANA®

REFRIGERATOR

MODELS:

ABB1924BRM05 (Stainless Steel)

CABINET PARTS



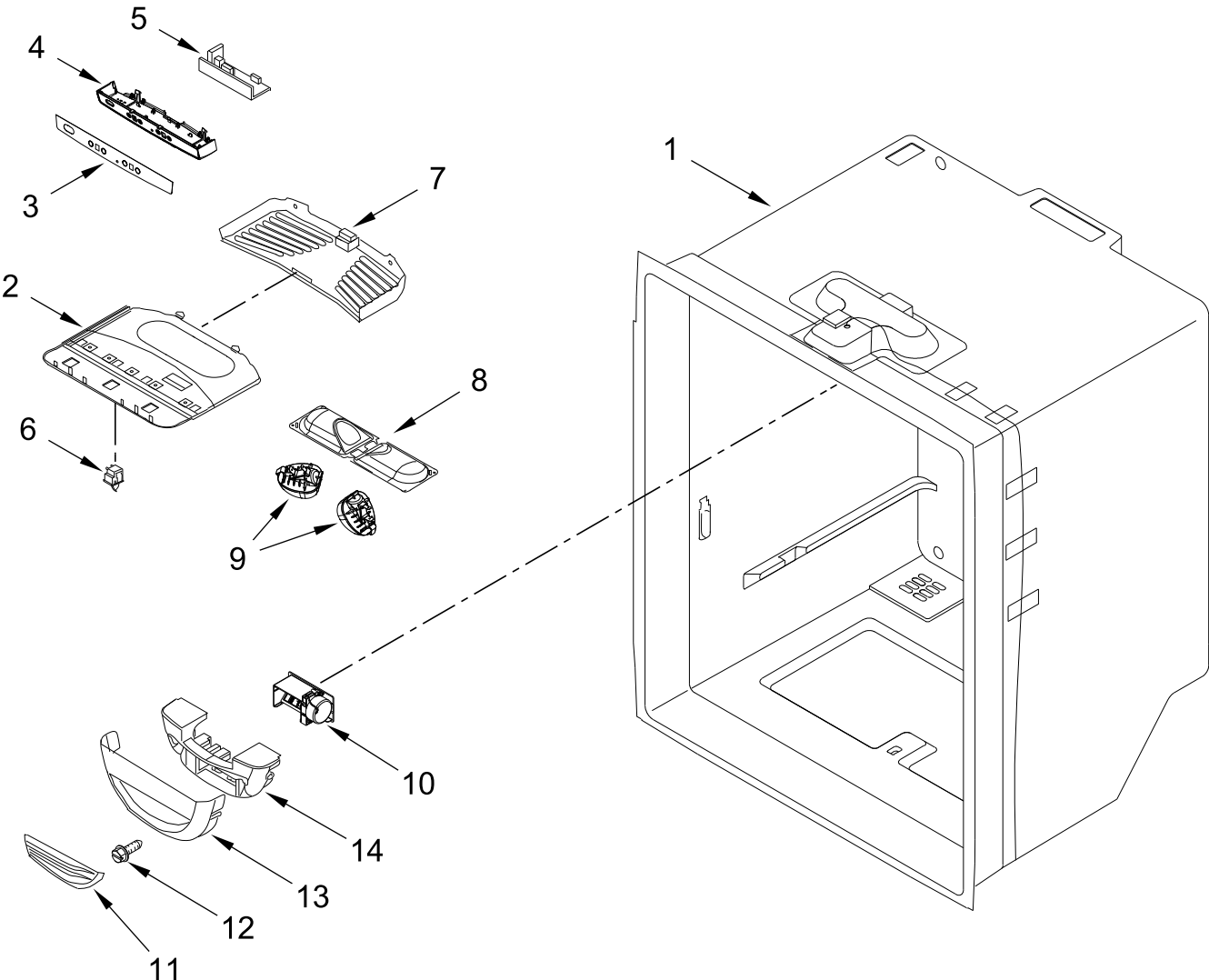
CABINET PARTS

<u>Illus. No.</u>	<u>Part No.</u>	<u>Description</u>
1		Literature Parts
	W11479841	Owner's Manual
	W11644236	Energy Guide
	W11312478	Tech Sheet
2		Cabinet (Not a Servicable Part)
3	12249902	Label, Fill Tube
4		Assembly, Roller
	W10515763	Left Hand
	W10515762	Right Hand
5	10351006	Pin, Center Hinge
6	12992602	Screw

<u>Illus. No.</u>	<u>Part No.</u>	<u>Description</u>
7	W11328747	Cover, Fill Tube
8	W10673840	Screw (Stainless)
9	12990101	Screw
10	W10210978	Cover, Unit
11	12992403	Screw
12	W11610756	Hinge, Center
13	W10141622	Brake, Roller
14		Cover, Corner
	12587703AP	Grey
15	12566606ED	Hinge, Top
16	W11534846	Gasket
17	W10709365	Screw

<u>Illus. No.</u>	<u>Part No.</u>	<u>Description</u>
18		Cover, Hinge
	12477601AP	Grey
19		Assembly, Grille
	W10534165	Grey
20	12990702	Screw
21	W10217701	Cover, Water Valve

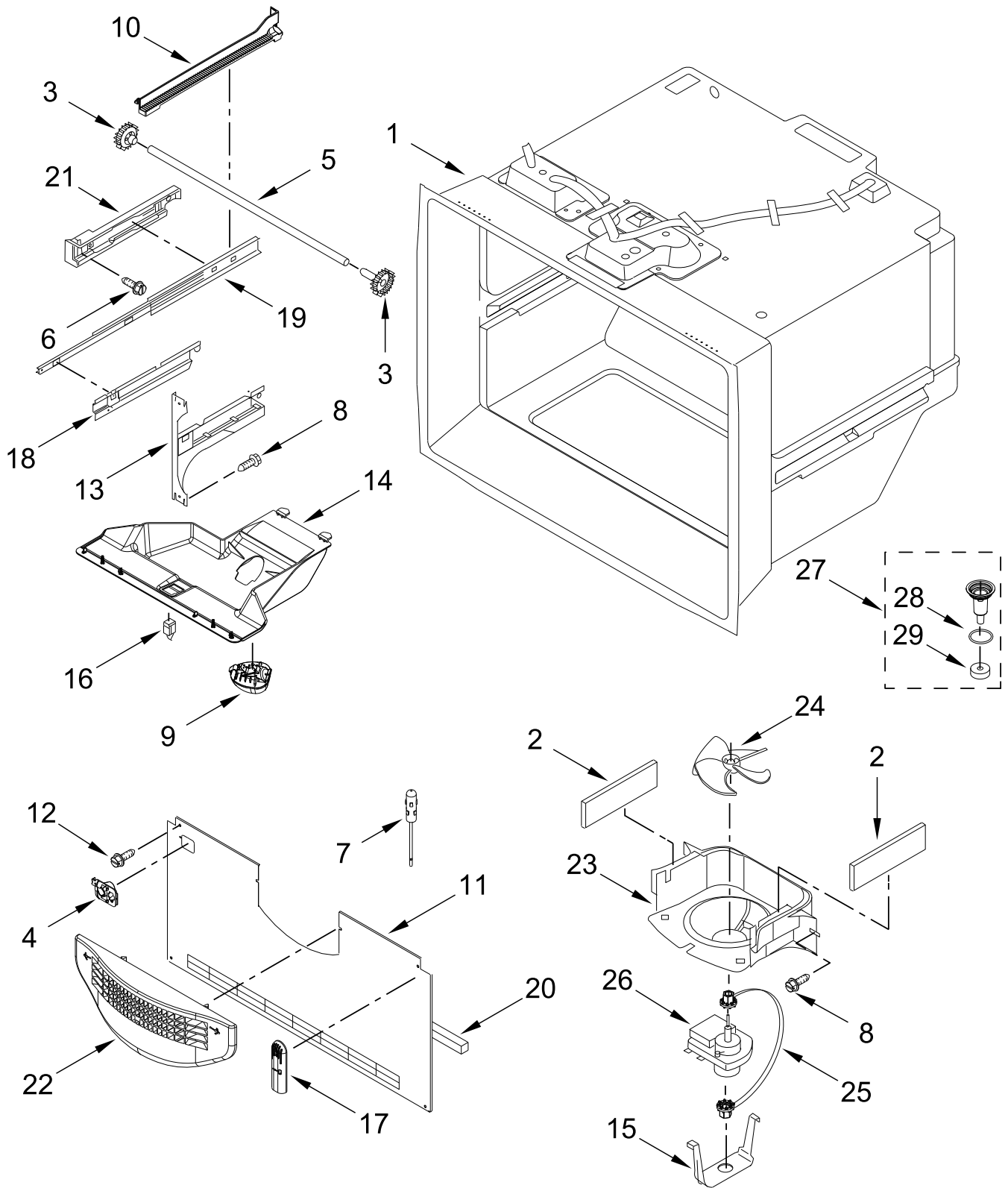
REFRIGERATOR LINER PARTS



REFRIGERATOR LINER PARTS

<u>Illus. No.</u>	<u>Part No.</u>	<u>Description</u>	<u>Illus. No.</u>	<u>Part No.</u>	<u>Description</u>	<u>Illus. No.</u>	<u>Part No.</u>	<u>Description</u>
1		Liner (Not a Serviceable Part)	7	W11132917	Cover, Light	14	W11657832	Insulation, Damper
2	W10464757	Module, Light	8	W10443023	Housing, Light			FOLLOWING PARTS NOT ILLUSTRATED
3	W10593588	Overlay	9	W11468934	Light Module, LED			
4	W10464769	Module, Control	10	W10594330	Damper, Control	W11598849		Harness, Refrigerator Control (Includes Thermistor)
5	W11321360	Control, Electronic	11	12806801	Insert, Damper Cover			
6	W10847853	Switch, Rocker	12	12990604	Screw			
			13	12806701	Cover, Damper			

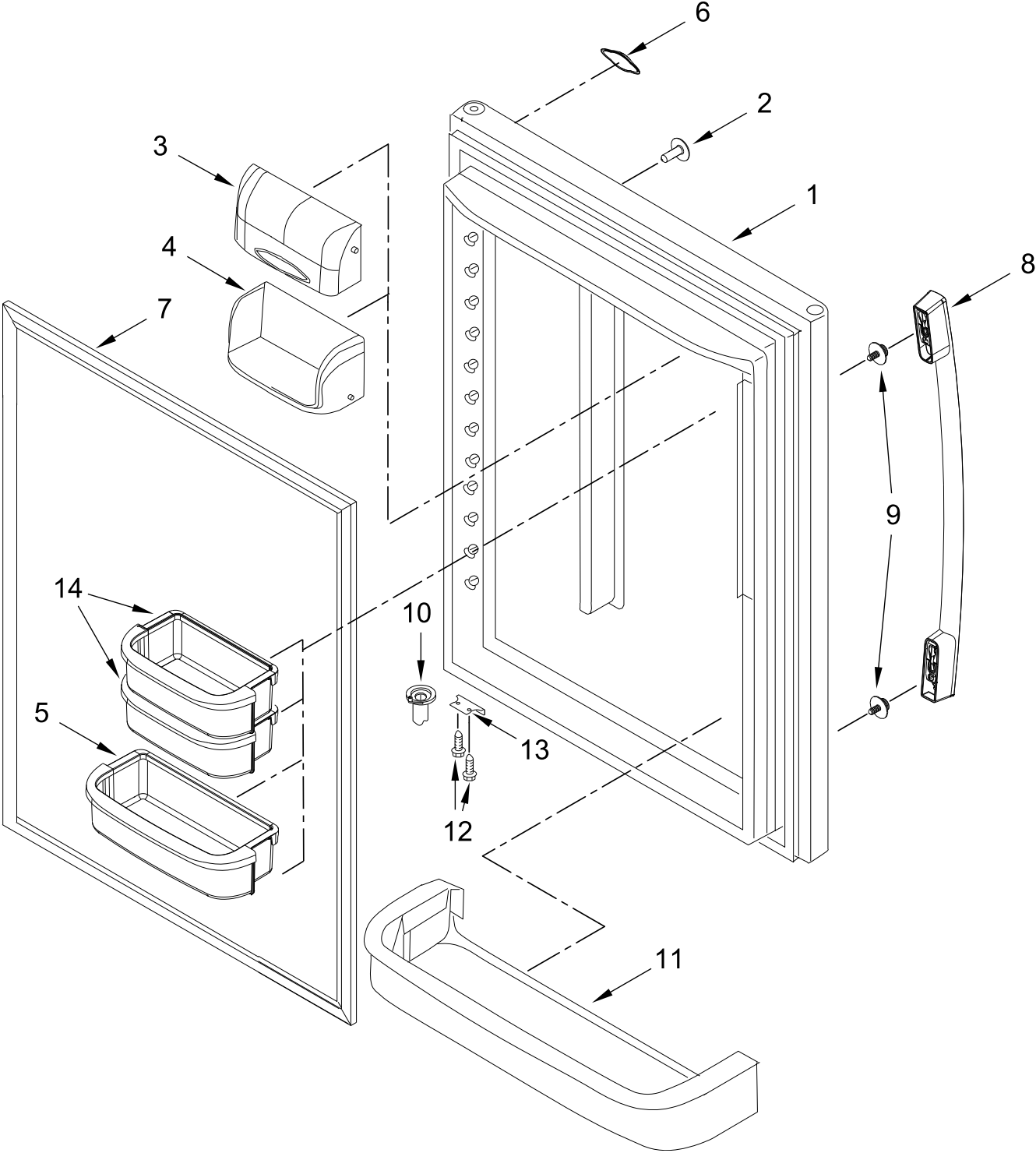
FREEZER LINER PARTS



FREEZER LINER PARTS

<u>Illus.</u> <u>No.</u>	<u>Part No.</u>	<u>Description</u>	<u>Illus.</u> <u>No.</u>	<u>Part No.</u>	<u>Description</u>	<u>Illus.</u> <u>No.</u>	<u>Part No.</u>	<u>Description</u>
1		Liner (Not a Serviceable Part)	12	12990518	Screw	21		Adapter, Side
2	A3189392	Gasket, Foam	13		Bracket, Door		W10284684	Left Hand
3	12002497	Gear		W10330991	Left Hand		W10284685	Right Hand
4	W11341630	Guide, Fill Tube		W10330993	Right Hand	22	13024803	Grille, Freezer Air
5	W10802329	Shaft, Rack	14	W10277025	Module, Light	23	13057901	Shroud, Evaporator Fan
6	12990501	Screw	15	13058002	Clip, Evaporator Motor	24	2169142	Blade, Fan
7	12791409SP	Thermistor	16	W10847849	Switch, Light	25	W10121318	Grommet
8	12990521	Screw	17	12815301	Cover, Thermistor	26	W10128551	Motor, Evaporator
9	W11468934	Light Module, LED	18		Cradle, Basket	27	W10662407	Assembly, Drain Funnel
10		Rack, Side		W10280608	Left Hand	28	M0500703	Seal
	W11309374	Left Hand		W10280613	Right Hand	29	B8381501	Gasket, Drain
	W11309377	Right Hand	19	W11644400	Slide, Door			
11	W10308414	Cover, Evaporator	20	A3189394	Gasket, Bottom			

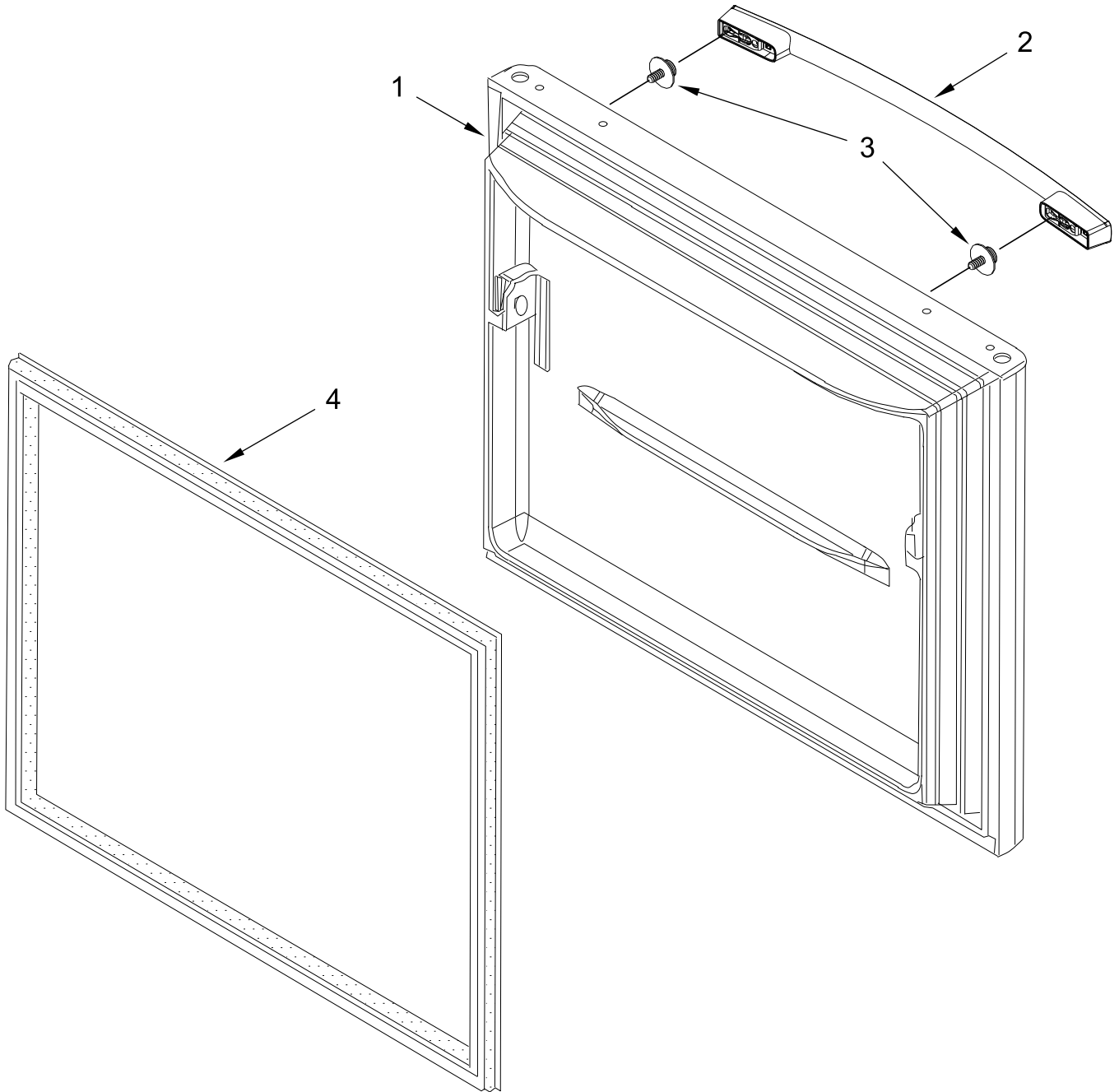
REFRIGERATOR DOOR PARTS



REFRIGERATOR DOOR PARTS

<u>Illus.</u> <u>No.</u>	<u>Part No.</u>	<u>Description</u>	<u>Illus.</u> <u>No.</u>	<u>Part No.</u>	<u>Description</u>	<u>Illus.</u> <u>No.</u>	<u>Part No.</u>	<u>Description</u>
1		Door, Refrigerator	6		Nameplate	10		Closure, Door
	13107553S	Stainless		12528501	Stainless		12028505AP	Grey
2		Plug, Button	7		Gasket, Door	11	12557904	Retainer, Door
	12246610	Grey		W10443310	Grey	12	12990504	Screw
3	12804701SP	Door, Dairy	8		Handle, Door	13		Stop, Door
4	12369502SP	Tray, Dairy		W11188849	Stainless Steel		12968202AP	Grey
5	12557204	Bucket, Medium	9	W10288153	Screw	14	12557202	Bucket, Small

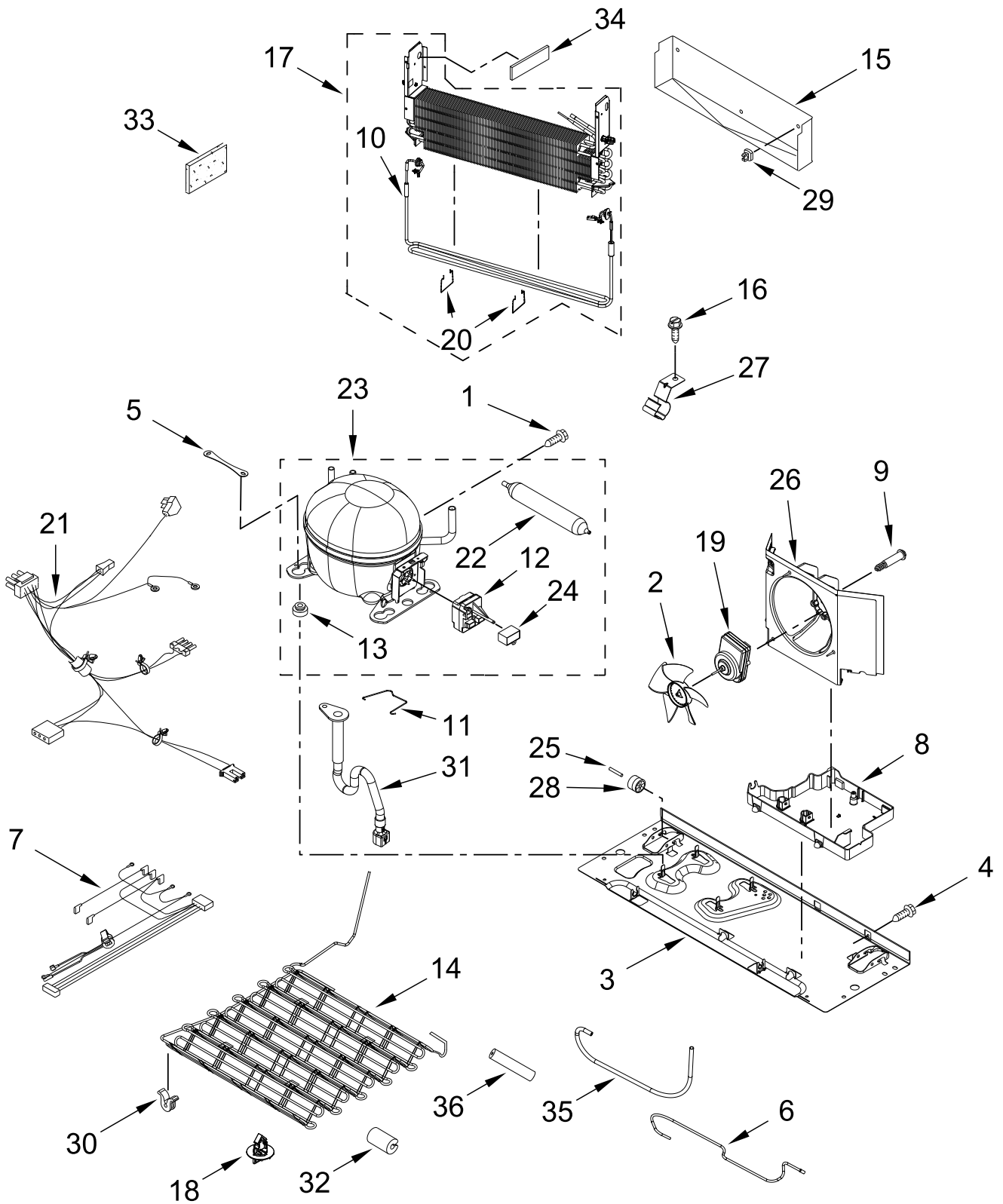
FREEZER DOOR PARTS



FREEZER DOOR PARTS

<u>Illus.</u> <u>No.</u>	<u>Part No.</u>	<u>Description</u>	<u>Illus.</u> <u>No.</u>	<u>Part No.</u>	<u>Description</u>	<u>Illus.</u> <u>No.</u>	<u>Part No.</u>	<u>Description</u>
1	13109223S	Door, Freezer Stainless	2	W11188849	Handle, Door Stainless Steel	4	W10443312	Gasket, Door Grey
			3	W10288153	Screw			

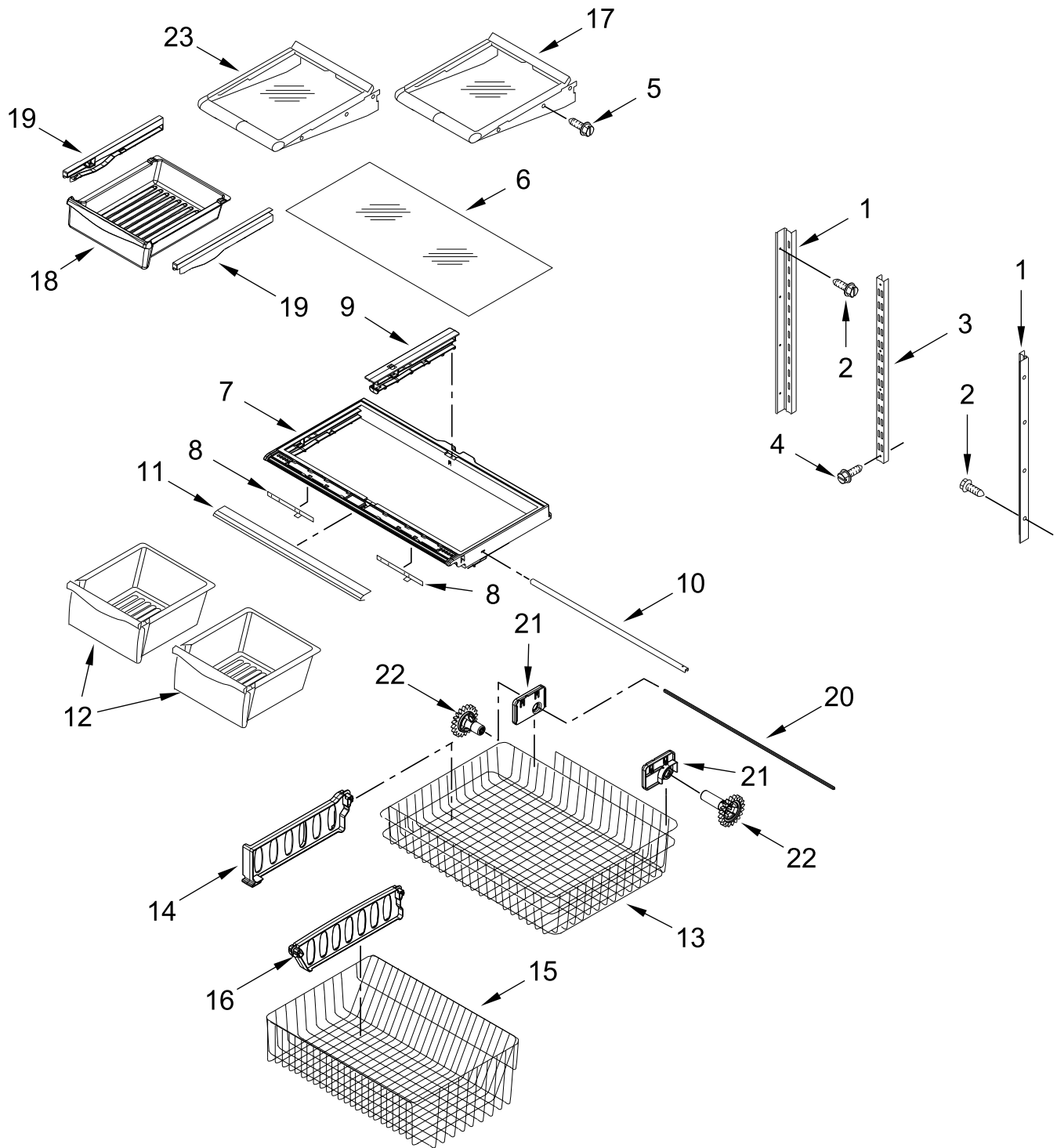
UNIT PARTS



UNIT PARTS

<u>Illus.</u> <u>No.</u>	<u>Part No.</u>	<u>Description</u>	<u>Illus.</u> <u>No.</u>	<u>Part No.</u>	<u>Description</u>	<u>Illus.</u> <u>No.</u>	<u>Part No.</u>	<u>Description</u>
1	12992301	Screw	17	W11515435	Assembly, Evaporator and Heater	23	W11332031	Compressor (Also Order the Following Lokring Parts)
2	12825803	Blade, Fan			(Also Order the Following Lokring Parts)			
3	W11604798	Basepan						
4	12990511	Screw						
5	W10236396	Strap, Compressor		W11504423	8/2 NR AL 00 (Capillary Tube to Evaporator)		W11504416	8.5/6 NR MS 00 (Suction Tube to Compressor)
6	W11566599	Tube, Discharge						
7	W11305539	Harness, Evaporator (Includes Defrost Thermostat)		W11504415	8.5/8 NR MS 00 (Suction Line to Evaporator)		W11504431	7/5 NR MS 00 (Discharge Tube to Compressor)
8	W10655367	Pan, Drain						
9	W10622701	Screw	18	W10815863	Clip, Condenser		W11506621	6 NK MS 00 (Charging Tube to Compressor)
10	W11287563	Heater, Evaporator	19	W11505534	Motor, Condenser Fan			
11	W11379613	Strap, Bale	20	W11380964	Clip, Heater		W11506635	Tube, Charging (1/4 in w/ Schrader Valve)
12	W11359985	Device, Start	21	W11654034	Harness, Unit (Includes Power Cord)			
13	10835903	Grommet				24	W10350564	Capacitor
14	W11353139	Condenser (Also Order the Following Lokring Parts)	22	W11353156	Drier (Also Order the Following Lokring Parts)	25	12477202	Axle, Roller
	W11506623	5 NK MS 00 (Discharge Tube to Condenser)		W11504445	5/4 NR MS 00 (Heat Loop to Drier)	26	W11463236	Shroud, Condenser Fan
	W11504432	6/5 NR MS 00 (Heat Loop to Condenser)		W11504447	5/1.8 NR MS 00 (Capillary Tube to Drier)	27	W10281329	Clip, Drier
15	W11337775	Tray, Drip				28	12477102	Roller
16	12992101	Screw				29	10623002	Clip, Evaporator
						30	W10137529	Grommet, Condenser
						31	W10622098	Extension, Drain
						32	2319835	Grommet, Condenser
						33	2169104	Insulation, Sound Deadening
						34	W11244122	Gasket, Foam
						35	W11566588	Tube, Suction
						36	W10303521	Sleeve REFRIGERANT CHARGE 44 grams (R600a)

SHELF PARTS



SHELF PARTS

<u>Illus. No.</u>	<u>Part No.</u>	<u>Description</u>	<u>Illus. No.</u>	<u>Part No.</u>	<u>Description</u>	<u>Illus. No.</u>	<u>Part No.</u>	<u>Description</u>
1	W10251970	Ladder, Side	12	12531305	Pan, Crisper	19		Glide, Deli
2	12990513	Screw	13	W11115255	Basket, Freezer (Upper)		12656601V	Left Hand
3	W10273463	Ladder, Center					12656602V	Right Hand
4	W10215666	Screw	14	W10241046	Divider, Basket (Upper)	20	W10802340	Shaft, Rack
5	12990302V	Screw				21		Mount, Gear
6	12204823N	Glass, Crisper Cover	15	W11115779	Basket, Freezer (Lower)		W10348259	Left Hand
7	W10671240	Frame, Crisper					W10348260	Right Hand
8	12530805SP	Slide, Humidity Control	16	W10146440	Divider, Basket (Lower)	22		Gear
9	W10671238	Rail, Center Crisper	17	W11358358	Shelf, Stationary		W10474716	Left Hand
10	12227302WD	Brace, Crisper Cover	18	12656504V	Pan, Deli		W10474715	Right Hand
11	W10231481	Trim, Crisper				23	W11358359	Shelf, Glide Out

OPTIONAL PARTS

<u>Illus.</u> <u>No.</u>	<u>Part No.</u>	<u>Description</u>
		TOUCH-UP PAINT
W10134625		Apollo Grey
W10917540		Midnight Grey
		MISCELLANEOUS
212643		Sealer, Gum (4 Feet)
479502		Tape, Vinyl (3/4 x 108")
876370		Insulation (2 Pieces, 3" x 24" x 48")
876305		Insulation Kit (14 Pieces, 3" x 24" x 48")
978941		Insulation, Fiberglass (63 1/2" x 35 1/2" x 2 5/8")
876029		Kit, Foam Slab (30" x 32 1/2" x 1 1/2")
505587		Sealer, Mastic (1 Qt)
503695		Cork, Sealer
542638		Grease, Silicone (1/2 Oz.)
542639		Cement, Alumilastic (1 1/4 Oz.)
833938		Kit, Terminal Connector
8003RP		Kit, Water Inlet
		FIELD INSTALLABLE ICE MAKER
W11459724		Icemaker Add-On Kit (Includes Valve & Ice Bin)
		TORX SCREW WRENCH
1117510		Torx Key