



# DEHUMIDIFIER

**SAFETY INFORMATION** .....3

**OPERATING INSTRUCTIONS**

Controls .....4

Other Features .....5

How the Dehumidifier Operates .....5

Choosing a Location .....6

Water Level.....6

Bucket Operation.....6

Removing Collected Water .....6

**CARE AND CLEANING**

Grille and Case .....8

Water Bucket .....8

Air Filter.....8

**TROUBLESHOOTING TIPS**.....9

**WIFI SETUP** .....10

**CONSUMER SUPPORT**

Limited Warranty ..... 11

Consumer Support.....12

## OWNER'S MANUAL

- ADYR22
- ADYR35
- ADYR50
- APYR50
- AWYR50

## ENGLISH/ESPAÑOL

### Before you begin

Record the GE module number and password for wifi setup. To locate this information, see page 10.

GE Module Number # \_\_\_\_\_

Password # \_\_\_\_\_

Write the model and serial numbers here:

Model # \_\_\_\_\_

Serial # \_\_\_\_\_

You can find them on a label on the back of the dehumidifier.

## **THANK YOU FOR MAKING GE APPLIANCES A PART OF YOUR HOME.**

---

Whether you grew up with GE Appliances, or this is your first, we're happy to have you in the family.

We take pride in the craftsmanship, innovation and design that goes into every GE Appliances product, and we think you will too. Among other things, registration of your appliance ensures that we can deliver important product information and warranty details when you need them.

Register your GE appliance now online. Helpful websites and phone numbers are available in the Consumer Support section of this Owner's Manual. You may also mail in the pre-printed registration card included in the packing material.



**GE APPLIANCES**

# IMPORTANT SAFETY INFORMATION

## READ ALL INSTRUCTIONS BEFORE USING THE APPLIANCE

### ▲ WARNING

For your safety, the information in this manual must be followed to minimize the risk of fire, electric shock or personal injury.

- Use this appliance only for its intended purpose as described in this Owner's Manual.
- This dehumidifier must be properly installed and grounded as described in this manual before it is used.
- Never operate this dehumidifier in an area that is likely to accumulate standing water. If this condition develops, for your safety disconnect the power supply before stepping into the water.
- Never unplug your dehumidifier by pulling on the power cord. Always grip plug firmly and pull straight out from the receptacle.
- Immediately replace all electric service cords that have become frayed or otherwise damaged. A damaged power supply cord must be replaced with a new power supply cord obtained from the manufacturer and not repaired. Do not use a cord that shows cracks or abrasion damage along its length or at either the plug or connector end.
- If the receptacle does not match the plug, the receptacle must be changed out by a qualified electrician
- If the SUPPLY CORD is damaged, it must be replaced by the manufacturer, its service agent or similarly qualified person in order to avoid a hazard.
- The appliance shall be installed in accordance with national wiring regulations.
- Turn the dehumidifier OFF and unplug it before cleaning.
- GE Appliances does not support any servicing of the dehumidifier. We strongly recommend that you do not attempt to service the dehumidifier yourself.
- For your safety, do not store or use combustible materials, gasoline or other flammable vapors or liquids in the vicinity of this or any other appliance.
- All dehumidifiers contain refrigerants, which under federal law must be removed prior to product disposal. If you are getting rid of an old product with refrigerants, check with the company handling disposal about what to do.
- Do not use outdoors.
- This dehumidifier is intended for indoor residential applications only. This dehumidifier should not be used for commercial or industrial applications.
- This appliance can be used by persons with reduced physical, sensory or mental capabilities or lack of experience and knowledge if they have been given supervision or instruction concerning use of the appliance in a safe way and understand the hazards involved.

### ▲ WARNING

**USE OF EXTENSION CORDS RISK OF FIRE. Could cause serious injury or death.**

- DO NOT use an extension cord with this Dehumidifier.
- DO NOT use surge protectors or multi-outlet adaptors with this Dehumidifier.

### HOW TO CONNECT ELECTRICITY

Do not, under any circumstances, cut or remove the third (ground) prong from the power cord. For personal safety, this appliance must be properly grounded.

DO NOT use an adapter plug with this appliance.

The power cord of this appliance is equipped with a 3-prong (grounding) plug which mates with a standard 3-prong (grounding) wall outlet to minimize the possibility of electric shock hazard from this appliance.

Have the wall outlet and circuit checked by a qualified electrician to make sure the outlet is properly grounded.

Where a 2-prong wall outlet is encountered, it is your personal responsibility and obligation to have it replaced with a properly grounded 3-prong wall outlet.

The dehumidifier should always be plugged into its own individual electrical outlet, which has a voltage rating matching the rating plate.

This provides the best performance and also prevents overloading house wiring circuits, which could cause a fire hazard from overheated wires.

### WARNING

**Risk of Fire or Explosion. This unit contains flammable refrigerant. Additional safety precautions must be followed.**

- Do not use means to accelerate the defrosting process or to clean, other than those recommended by the manufacturer.
- The appliance shall be stored in a room without continuously operating ignition sources (for example: open flames, an operating gas appliance or an operating electric heater).
- Do not pierce or burn refrigerant tubing. Be aware that refrigerants may not contain an odor.
- Keep ventilation openings clear of obstruction.
- When handling, installing, and operating the appliance, care should be taken to avoid damage to the refrigerant tubing.
- Do not drill holes in the unit.
- Maintenance, cleaning, and service should only be performed by technicians properly trained and qualified in the use of flammable refrigerants.
- GE Appliances does not support any servicing of the sealed system components (i.e. refrigerant containing parts) in the product.
- Dispose of dehumidifier in accordance with Federal and Local Regulations. Flammable refrigerants require special disposal procedures. Contact your local authorities for the environmentally safe disposal of your dehumidifier.

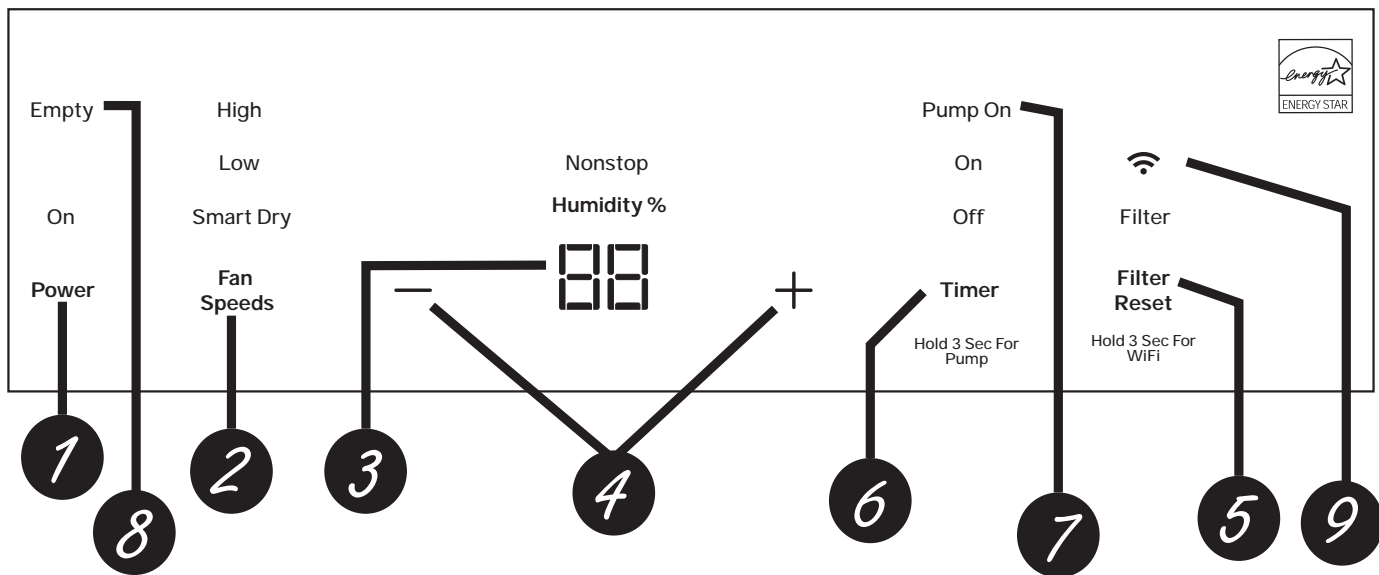


For appliance recycling information please visit [GEAppliances.com/recycling](http://GEAppliances.com/recycling).

## READ AND SAVE THESE INSTRUCTIONS

# Controls

Appearance may vary by model.



## Controls

**NOTE:** When the bucket is full or removed, the controls cannot be set.

### 1. Power Pad

Press to turn the dehumidifier on and off.

**NOTE:** Turning off the power by pressing the Power button does NOT disconnect the appliance from power supply.

### 2. Fan Speed Pad

Controls the fan speed.

Press to select either **High**, **Low**, or **Smart Dry** fan speed.

Set the fan control to High for maximum moisture removal. When the humidity has been reduced and quiet operation is preferred, set the fan control to Low. Smart Dry compares the set humidity level with the actual humidity and adjusts the fan speed automatically.

### 3. Display

Shows the set % humidity level while setting, then shows the actual (+/- 5% accuracy) room % humidity level.

### 4. Humidity Set Control Pads

The humidity level can be set within a range of 35% RH (Relative Humidity) to 80% RH (Relative Humidity) in 5% increments or in Nonstop mode for continuous operation. To set the unit for continuous operation, press the “-” pad until the “Nonstop” indicator light is illuminated.

**NOTE:** If Nonstop is selected, the dehumidifier will operate continuously at its maximum dehumidification settings if attached to a hose to drain or until the bucket is full. For drier air, press the “-” pad and set to a lower percent value (%). For damper air, press the “+” pad and set to a higher percent value (%). When you first use the dehumidifier, set the humidity control to 45% or 50%. Allow at least 24 hours for the dehumidifier to achieve the humidity level. If you still have damper air than desired, set the humidity level to a lower setting or select Nonstop for maximum dehumidification.

### 5. Filter Reset

After 250 hours of operation, the Clean the Filter indicator light will glow to remind you to clean the filter. Remove the filter and clean it.

Press and hold **Filter** button for 3 seconds to reset the filter reminder. See the Care and Cleaning section.

### 6. Timer Off

While the dehumidifier is operating, press the **Timer** button.

Press the “+” / “-” buttons to select the number of hours you want the dehumidifier to continue to operate before turning Off.

**NOTE:** After displaying the time, the Display will revert to showing the current humidity after 5 seconds have passed. Pressing the **Timer** button will display the number of hours left on the Timer.

#### Timer On

While the dehumidifier is off, press the **Timer** button.

Press the “+” / “-” buttons to select the number of hours you want the dehumidifier to remain off before turning On.

**NOTE:** The display will show the number of hours left until the dehumidifier turns on.

#### To cancel the Timer:

Press the **Timer** button once, the hours remaining on the Timer will appear on the display. Press the **Timer** button against and the Timer will be cancelled.

### 7. Pump (on some models)

Activates the internal pump. Press **Timer** for 3 seconds to activate the internal pump for automatic removal of condensate. The **Pump On** light will remain illuminated after 3 seconds. Press **Timer** again for 3 seconds to deactivate the pump. Before turning on the pump, ensure the included hose is connected.

### 8. Empty Indicator

The “Empty” indicator will blink when the bucket is ready to be emptied, or when the bucket is removed and/or not replaced in the proper position.

### 9. WiFi (on some models)

Hold the **Filter Reset** button for 3 seconds to enable connection of the dehumidifier to home WiFi .

Download SmartHQ App for details at:

**GEAppliances.com/connect.**

## Other Features

---

### Alarm

If the bucket is full or missing, an alarm will sound for about 10 seconds to remind you to empty and replace the bucket.

### Auto Shut Off

The Water Level Control Switch shuts off the dehumidifier when the bucket is full, or when the bucket is removed and/or not replaced in the proper position.

**NOTE:** The fan and compressor will stop running as soon as the bucket is removed. The alarm will sound if the bucket is not replaced in the proper position after 3 minutes.

### Auto Defrost

When frost builds up on the evaporator coils, the compressor will cycle off and the fan will continue to run until the frost disappears. When the coil is defrosted, the compressor or fan will automatically restart and dehumidifying will resume.

### Power Outage

In the case of a power outage or interruption, the unit will automatically restart, in the settings last used, after the power is restored.

## Using the Dehumidifier

---

**When first using the dehumidifier, operate the unit continuously for 24 hours.**

---

### How the Dehumidifier Operates

Moist, humid air is drawn over a cold refrigerated dehumidifying coil. Moisture in the air condenses on this coil and drains into a bucket (or through a hose and drain).

Dry, clean air is drawn through the condenser where it is heated and discharged out the top grille into the room.

It is normal for the surrounding air to become slightly warmer as the dehumidifier operates.

# Using the Dehumidifier

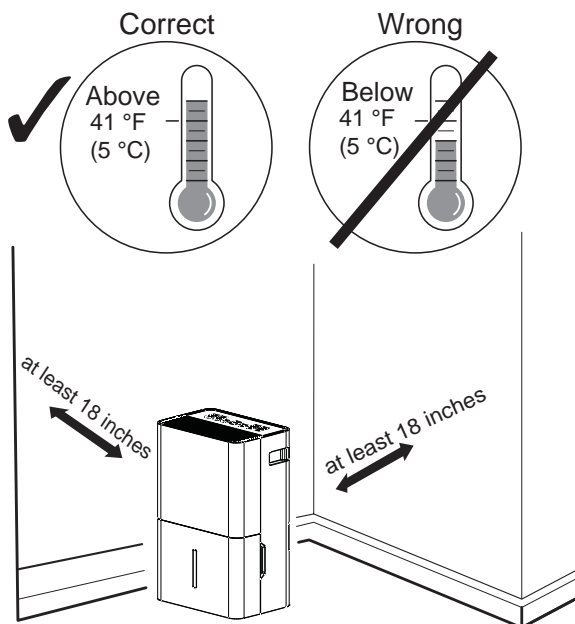
## Choosing a Location

A dehumidifier operating in a basement will have little or no effect in drying an adjacent enclosed storage area, such as a closet, unless there is adequate circulation of air in and out of the area.

- **Do not use outdoors.**
- This dehumidifier is intended for indoor residential applications only. This dehumidifier should not be used for commercial or industrial applications.
- Place the dehumidifier on a smooth, level floor strong enough to support the unit with a full bucket of water.
- Allow at least 18 inches of air space on all sides of the unit for good air circulation.
- Place the dehumidifier in an area where the temperature will not fall below 41°F (5°C) or above 90°F (32°C). The coils can become covered with frost at temperatures below 41°F, which may reduce performance.
- The suggested range of relative humidity is between 40% and 50%
- Use the dehumidifier in cooking, laundry and dishwashing areas that have excessive moisture.  
NOTE: Place the dehumidifier away from the clothes dryer.
- Use the dehumidifier to prevent moisture damage anywhere books or valuables are stored.
- Use the dehumidifier in a basement to help prevent moisture damage.

- The dehumidifier must be operated in an enclosed area to be most effective.
- Close all doors, windows and other outside openings to the room.

**NOTE:** The dehumidifier has casters to aid placement, but it should only be rolled on smooth, flat surfaces. Do not attempt to roll the dehumidifier on carpet or over objects.



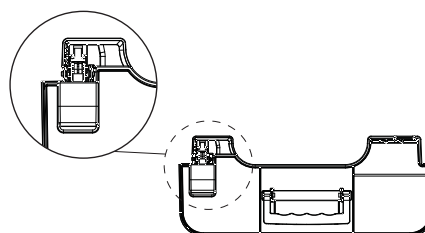
## Water Level

The dehumidifier will turn off automatically when the bucket is full, or when the bucket is removed or not replaced in the proper position.

The bucket must be replaced in the proper position for the dehumidifier to work. The empty indicator will blink and the dehumidifier will not run if the bucket is not in the proper position.

## Bucket Operation

DO NOT remove the float or magnet in the bucket assembly. If removed the Dehumidifier will not work properly.



**Always make sure the water bucket is locked into place on the dehumidifier.**

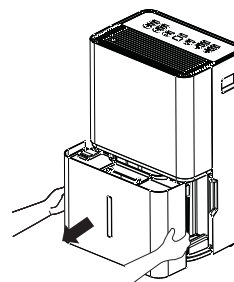
## Removing Collected Water

There are 3 ways to remove collected water:

- Use the bucket
- Use a garden hose
- Use the internal pump (on some models)

**Use the bucket.** When the bucket is removed, the unit will shut off. Empty and replace the bucket.

**IMPORTANT:** Do not use the hose if using the bucket to collect water. When the hose is connected, water will flow through it onto the floor instead of into the bucket.

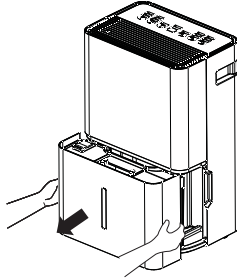


# Using the Dehumidifier

## Removing Collected Water (cont)

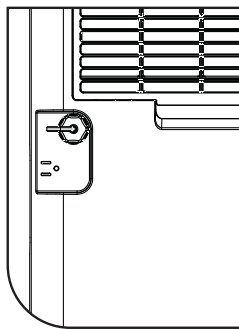
**NOTES:**

- Do not remove the bucket while the dehumidifier is operating or if it has just stopped operating. This might cause some water to drip from the drain pan.
- The bucket must be in place and securely seated for the dehumidifier to operate.

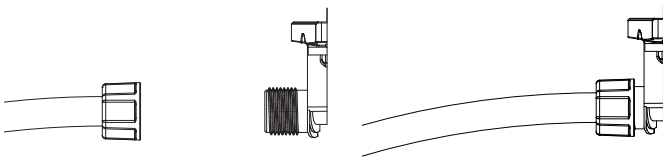


**Use a garden hose.** Water can be automatically emptied into a floor drain by attaching a garden water hose (not included).

1. Unscrew the cover to the hose outlet located at the rear of the dehumidifier just under the filter.



2. Thread a garden hose (not supplied) onto the nozzle and ensure it is seated securely. Cut to length and lead it to the floor drain.



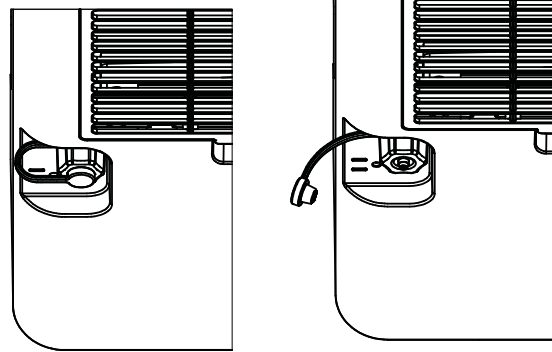
3. Thread a garden hose (not supplied) onto the nozzle and ensure it is seated securely. Cut to length and lead it to the floor drain.
4. Replace the bucket in the unit.

**NOTE:** The bucket must be in place and securely seated for the dehumidifier to operate. The garden hose must run down from the dehumidifier to the floor drain.

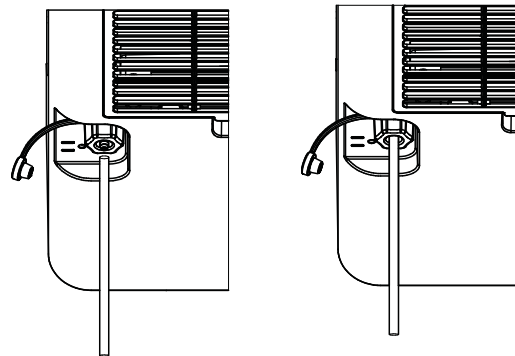
## Use the internal pump (on some models)

Water can be automatically emptied into a remote location by attaching the included pump hose.

1. Remove the black rubber drain plug from the garden hose attachment exposing the hose bar.



2. Connect the included hose to the hose barb. Ensuring hose fully covers hose bar to prevent leaks.



3. Lead the hose discharge to desired drain location.
4. Make sure pump is activated. To activate the pump, press and hold the Timer button for 3 seconds. The Pump On indicator will remain illuminated.

**IMPORTANT:** Make sure the condensate hose is properly connected and is not kinked, bent or cracked as this may cause water to flow onto the floor. Please ensure the bucket is empty before putting the unit into pump mode. The bucket must also be fully seated for the pump to work properly. Do not operate the machine if the room temperature is 41°F or below.

**NOTE:** Maximum lift height is 16ft.

# Care and Cleaning

Turn off the dehumidifier and remove the plug from the wall outlet before cleaning.

## Grille and Case

### To clean the case:

Use water and a mild detergent. Do not use bleach or abrasives.

### To clean the rear grille:

Use a vacuum attachment or brush.

## Water Bucket

### To clean:

Every few weeks, clean the bucket to prevent growth of mold, mildew and bacteria. Partially fill the bucket with clean water and add a little mild detergent. Swish it around in the bucket, empty and rinse.

**NOTE:** Do not use a dishwasher to clean the water bucket.

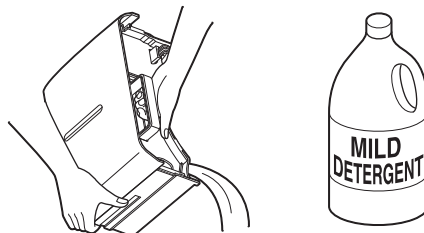
### To remove:

Remove the bucket and pour out any water.

### To replace:

Slide the bucket into the dehumidifier.

**NOTE:** The bucket must be in place and securely seated for the dehumidifier to operate.



## Air Filter

The air filter behind the rear grille should be checked and cleaned at least every 250 hours of operation or more often if necessary.

After 250 hours of operation, the Filter indicator light will glow to remind you to clean the filter. Remove the filter and clean it. Replace the filter and press and hold the filter button for 3 seconds.

### To remove:

Remove the rear grille and the filter will be attached.

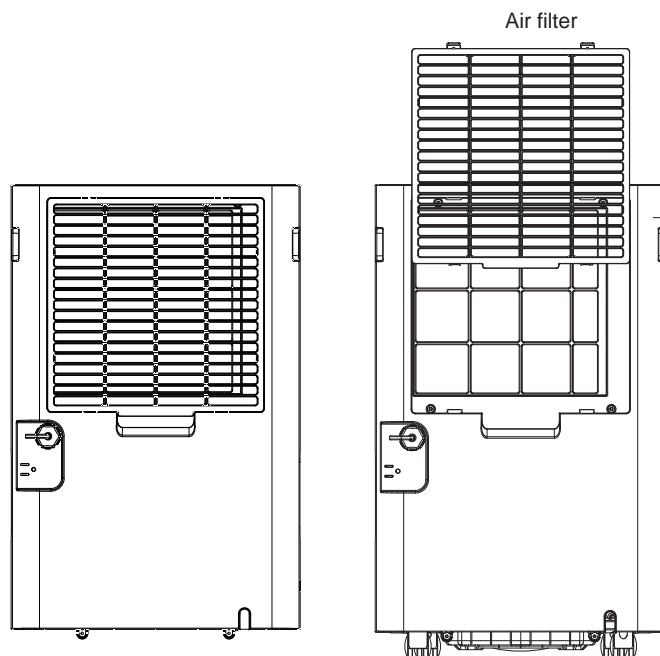
### To clean:

Clean the filter with warm, soapy water. Rinse and let the filter dry before replacing it.

**NOTE:** DO NOT put the filter in an automatic dishwasher.

### **CAUTION**

DO NOT operate the dehumidifier without a filter because dirt and lint will clog the unit and reduce performance.





# Troubleshooting Tips... Before you call for service

Save time and money! Review the charts on the following pages first and you may not need to call for service.

Problem	Possible Cause	What To Do
Dehumidifier does not start	The dehumidifier is unplugged.	Makes sure the dehumidifier's plug is pushed completely into the outlet.
	The fuse is blown/circuit breaker is tripped.	Check the house fuse/circuit breaker box and replace the fuse or reset the breaker.
	Dehumidifier has reached its set humidity level or bucket is full.	The dehumidifier automatically turns off when either condition occurs. Change to a lower setting or empty the bucket and replace properly.
	Bucket is not in the proper position.	The bucket must be in place and securely seated for the dehumidifier to operate.
	Power Failure.	There is a protective time delay (up to 3 minutes) to prevent tripping of the compressor overload. For this reason, the unit may not start normal dehumidification for 3 minutes after it turned back on.
Dehumidifier does not dry the air as it should	Did not allow enough time to remove the moisture.	When first installed, allow at least 24 hours to maintain the desired dryness.
	Airflow is restricted.	Make sure there are no curtains, blinds or furniture blocking the top or back of the dehumidifier. See the Choosing a Location section.
	Dirty Filter	See the Care and Cleaning section.
	The Humidity Control may not be set low enough.	For drier air, press the ▼ pad and set to a lower percent value (%) or at the Nonstop setting for maximum dehumidification.
	Doors and windows may not be closed tightly.	Check that all doors, windows and other openings are securely closed.
	Clothes dryer may be blowing moisture-laden air into the room.	Install the dehumidifier away from the dryer. The dryer should be vented to the outside.
	Room temperature is too low.	Moisture removal is best at higher room temperatures. Lower room temperatures will reduce the moisture removal rate. Models are designed to be operated at temperatures above 41°F (5°C).
Dehumidifier runs too much	Area to be dehumidified is too large.	The capacity of your dehumidifier may not be adequate
	Doors and windows are open.	Close all doors and windows to the outside.
Frost appears on the coils	Room temperature is below 41°F (5°C)	Please operate unit at temperatures above 41 F (5 C). Frost will usually disappear within 60 minutes. Under certain conditions, frost may appear on the coils of your dehumidifier at temperatures above 41°F (5°C). This is normal and frost will usually disappear within 60 minutes. See the Automatic Defrost section.
Fan noise	Air is moving through the dehumidifier.	This is normal.
Water on floor	Hose connection may be loose.	Check the hose connection. See the Removing Collected Water section.
	Intended to use the bucket to collect water, but a hose was attached	Disconnect the hose if using a bucket to collect water. See the Removing Collected Water section.
Bucket Full LED light flashing and alarm sounds while drain hose is connected	Drain hose not tight on fitting.	Check drain hose connection.
	Drain hose is kinked.	Ensure the drain hose is pointed straight down to the floor and is not kinked in anyway.
Bucket fills up when using drain pump (on some models)	Unit not in pump mode	Ensure pump is turned on and pump light is illuminated
	Pump hose not installed	Ensure pump hose is properly installed on back of unit
	Water level sensor issue	This may be caused by very humid conditions or error with float sensor. Check unit for a P1 error code on display. If this is present - turn off the unit, unplug unit for a few seconds, plug back in and turn on the unit to reset sensor. If this error continues to occur refer to warranty section for exchange options.

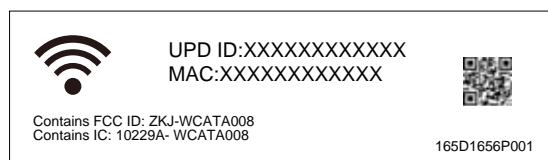
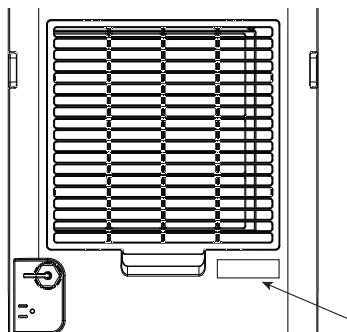
# WiFi Setup

## GE Appliances SmartHQ (for customers in the United States)

**GE Appliances SmartHQ Enabled\***. If your Dehumidifier has a Connected Appliance Information label located on the outside as shown below, your dehumidifier is **GE Appliances SmartHQ Enabled**. A WiFi communication card is built into the product allowing it to communicate with your smart phone for remote monitoring, control and notifications. Please visit [www.GEAppliances.com/connect](http://www.GEAppliances.com/connect) to learn more about connected appliance features, and to learn what connected appliance apps will work with your smart phone.

### WiFi Connectivity:

For assistance with the appliance or the **ConnectPlus** network connectivity (for models that are WiFi enabled or WiFi optional), please call **1-800-220-6899**.



## Getting Started

To connect your dehumidifier, you'll need the GE Appliances App. The app will walk you through the connection process. Download the app from iTunes or Google Play.



All connected appliance data is held in strict accordance with the GE Appliances Connected Data Privacy Policy. Visit [geappliances.com/privacy/privacy\\_policy\\_connected](http://geappliances.com/privacy/privacy_policy_connected) to view this policy.

### Questions about SmartHQ

Get answers you need about setting up WiFi appliances and connecting to your home network in our support articles.

Visit [products.geappliances.com/appliance/gea-support-search-content](http://products.geappliances.com/appliance/gea-support-search-content) to view wifi connect support articles.

## REGULATORY INFORMATION

### FCC/IC Compliance Statement:

This device complies with Part 15 of the FCC Rules. Operation is subject to the following two conditions:

1. This device may not cause harmful interference.
2. This device must accept any interference received, including interference that may cause undesired operation.

This equipment has been tested and found to comply with the limits for a Class B digital device, pursuant to Part 15 of the FCC Rules. These limits are designed to provide reasonable protection against harmful interference in a residential installation. This equipment generates uses and can radiate radio frequency energy and, if not installed and used in accordance with the instructions, may cause harmful interference to radio communications. However, there is no guarantee that interference will not occur in a particular installation. If this equipment does cause harmful interference to radio

or television reception, which can be determined by turning the equipment off and on, the user is encouraged to try to correct the interference by one or more of the following measures:

- Reorient or relocate the receiving antenna.
- Increase the separation between the equipment and receiver.
- Connect the equipment into an outlet on a circuit different from that to which the receiver is connected.
- Consult the dealer or an experienced radio/television technician for help.

**Labelling:** Changes or modifications to this unit not expressly approved by the manufacturer could void the user's authority to operate the equipment.

\*Select Models Only

This product has Wi-Fi capability and requires Internet connectivity and a wireless router to enable interconnection with an Energy Management System, and/or with other external devices, systems or applications.

# GE Appliances Dehumidifier Limited Warranty

**LIMITED WARRANTY**

For The Period Of:	Will Replace:
One Year From the date of the original purchase	<b>Replacement, repair, or refund</b> of the original retail price for any product which fails due to a defect in materials or workmanship. If the unit is exchanged, the replacement unit is warranted for the remainder of your product's original one-year warranty period. GE Appliances will, at its sole discretion, replace the product with a product of the same or comparable functionality and quality or refund the original retail price.

## In Order to Make a Warranty Claim During Your Retailer's Allowable Return Period:

- Properly pack your unit. We recommend using the original carton and packing materials.
- Return the product to the retail location where it was purchased.
- Include in the package a copy of the sales receipt or other evidence of date of original purchase. Also print your name and address and a description of the defect.

## In Order to Make a Warranty Claim During the Remainder of the One-Year Warranty:

- Locate your original sales receipt and make a note of your model and serial number.
- Call 866.907.1655 (in the United States) to initiate a warranty claim.
- You will be asked to provide your name, address, date of purchase, model and serial number.
- Warranty claims may require electronic or mailed-in evidence of purchase.

## What Will Not Cover:

- Customer instruction. This owner's manual provides information regarding operating instructions and user controls.
- Improper installation. If you have an installation problem, or if the product is of improper capacity, contact your dealer or installer. You are responsible for providing adequate electrical connecting facilities.
- Failure of the product resulting from modifications to the product or due to unreasonable use including failure to provide reasonable and necessary maintenance.
- Replacement of house fuses or resetting of circuit breakers.
- Failure due to corrosion.
- Damage to the product caused by improper power supply voltage, accident, fire, floods or acts of God.
- Incidental or consequential damage caused by possible defects with this product.
- Damage caused after delivery.

**EXCLUSION OF IMPLIED WARRANTIES** - Your sole and exclusive remedy is product repair as provided in this Limited Warranty. Any implied warranties, including the implied warranties of merchantability or fitness for a particular purpose, are limited to one year or the shortest period allowed by law.

**For US Customers:** This limited warranty is extended to the original purchaser and any succeeding owner for products purchased for home use within the USA. If the product is located in an area where service by a GE Appliances Authorized Servicer is not available, you may be responsible for a trip charge or you may be required to bring the product to an Authorized GE Appliances Service location for service. In Alaska, the limited warranty excludes the cost of shipping or service calls to your home.

Some states do not allow the exclusion or limitation of incidental or consequential damages. This limited warranty gives you specific legal rights, and you may also have other rights which vary from state to state. To know what your legal rights are, consult your local or state consumer affairs office or your state's Attorney General.

**Warrantor US:**  
**GE Appliances, a Haier company**  
 Louisville, KY 40225

Staple your receipt here. Proof of the original purchase date is needed to obtain service under the warranty.

# Consumer Support

---

## GE Appliances Website

Have a question or need assistance with your appliance? Try the GE Appliances Website 24 hours a day, any day of the year! You can also shop for more great GE Appliances products and take advantage of all our on-line support services designed for your convenience. In the US: [GEAppliances.com](http://GEAppliances.com)

---

## Register Your Appliance

Register your new appliance on-line at your convenience! Timely product registration will allow for enhanced communication and prompt service under the terms of your warranty, should the need arise. You may also mail in the pre-printed registration card included in the packing material. In the US: [GEAppliances.com/register](http://GEAppliances.com/register)

---

## Extended Warranties

Purchase a GE Appliances extended warranty and learn about special discounts that are available while your warranty is still in effect. You can purchase it on-line anytime. GE Appliances Services will still be there after your warranty expires. In the US: [GEAppliances.com/extended-warranty](http://GEAppliances.com/extended-warranty) or call 800.626.2224 during normal business hours.

---

## Remote Connectivity

For assistance with wireless network connectivity (for models with remote enable), visit our website at [GEAppliances.com/connect](http://GEAppliances.com/connect) or call 800.220.6899 in the US.

---

## Parts and Accessories

Individuals qualified to service their own appliances can have parts or accessories sent directly to their homes (VISA, MasterCard and Discover cards are accepted). Order on-line today 24 hours every day. In the US: [GEApplianceparts.com](http://GEApplianceparts.com) or by phone at 877.959.8688 during normal business hours.

**Instructions contained in this manual cover procedures to be performed by any user. Other servicing generally should be referred to qualified service personnel. Caution must be exercised, since improper servicing may cause unsafe operation.**

---

## Contact Us

If you are not satisfied with the service you receive from GE Appliances, contact us on our Website with all the details including your phone number, or write to:

In the US: General Manager, Customer Relations | GE Appliances, Appliance Park | Louisville, KY 40225  
[GEAppliances.com/contact](http://GEAppliances.com/contact)



# DESHUMEDIFICADOR

## INFORMACIÓN DE SEGURIDAD .....3

## INSTRUCCIONES DE OPERACIÓN

Controles .....4  
 Otras funciones.....5  
 Cómo funciona el deshumedificador .....5  
 Selección del lugar adecuad .....6  
 Cómo desechar el agua acumulada .....6  
 Nivel de agua .....6  
 Funcionamiento del Balde .....6

## CUIDADO Y LIMPIEZA

Rejilla y gabinete .....8  
 Tanque de agua .....8  
 Filtro de aire .....8

## CONSEJOS PARA LA SOLUCIÓN DE PROBLEMAS .....9

## CONFIGURACIÓN WIFI .....10

## AYUDA AL CLIENTE

Garantía Limitada..... 11  
 Ayuda al cliente ..... 12

## MANUAL DEL PROPIETARIO

- ADYR22
- ADYR35
- ADYR50
- APYR50
- AWYR50

### Antes de comenzar

Registre el número de módulo de GE Appliances y su contraseña para la configuración del wifi. Para ubicar esta información, consulte la página 10.

# módulo de GE Appliances \_\_\_\_\_

# de Contraseña: \_\_\_\_\_

Escriba los números de modelo y serie aquí:

# de Modelo \_\_\_\_\_

# de Serie \_\_\_\_\_

Puede encontrar estos números en una etiqueta en la parte atrás del deshumedificador.

## **GRACIAS POR HACER QUE GE APPLIANCES SEA PARTE DE SU HOGAR.**

---

Ya sea que haya crecido usando GE Appliances, o que ésta es su primera vez, nos complace tenerlo en la familia.

Sentimos orgullo por el nivel de arte, innovación y diseño de cada uno de los electrodomésticos de GE Appliances, y creemos que usted también. Entre otras cosas, el registro de su electrodoméstico asegura que podamos entregarle información importante del producto y detalles de la garantía cuando los necesite.

Registre su electrodoméstico GE ahora a través de Internet. Sitios Web y números telefónicos útiles están disponibles en la sección de Soporte para el Consumidor de este Manual del Propietario.

También puede enviar una carta en la tarjeta de inscripción preimpresa que se incluye con el material embalado.



**GE APPLIANCES**

# INFORMACIÓN IMPORTANTE DE SEGURIDAD

LEA TODAS LAS INSTRUCCIONES ANTES DE USAR ESTE ELECTRODOMÉSTICO

## ⚠ ADVERTENCIA

Por su seguridad, se debe seguir la información en este manual para minimizar el riesgo de incendios, descargas eléctricas o lesiones personales.

- Use este electrodoméstico solamente para el propósito determinado según se describe en este Manual del propietario.
- Este deshumificador debe instalarse correctamente y conectado a tierra de acuerdo con las instrucciones de este manual antes de su uso.
- Nunca opere este deshumificador en un área en la que es posible que se acumule agua. De encontrarse en estas condiciones, por su seguridad, desconecte el suministro de corriente eléctrica antes de pisar sobre el agua.
- Nunca desenchufe su deshumificador tirando del cable eléctrico. Siempre agarre firmemente el enchufe y tire de él directamente hacia afuera.
- Reemplace inmediatamente todos los cables eléctricos que se hayan pelado o que se hayan dañado de alguna otra manera. Un cable de corriente dañado no debe repararse, sino que debe ser sustituido por uno nuevo que se adquiera del fabricante. No use un cable eléctrico que muestre evidencias de deterioro, o daños de abrasión en su superficie en alguno de sus extremos.
- Si el receptáculo no coincide con el enchufe, un electricista calificado debe reemplazar el receptáculo.
- Si el CABLE DE ALIMENTACION está dañado, deberá ser reemplazado por el fabricante, su agente de servicios o una persona con calificación similar a fin de evitar riesgos.
- El electrodoméstico deberá ser instalado de acuerdo con las regulaciones de cableado nacionales.
- Apague el control y desenchufe su deshumificador antes de hacer cualquier reparación o limpiar.
- GE Appliances no está ni apoya que se le proporcione ningún servicio al deshumificador. Vehementemente recomendamos que usted no intente proporcionar servicio al deshumificador usted mismo.
- Por su seguridad, no almacene ni use materiales combustibles, gasolina u otros vapores o líquidos inflamables en la proximidad de éste o algún otro electrodoméstico.
- No use el deshumificador en exteriores.
- Este deshumificador está diseñado exclusivamente para aplicaciones residenciales de interior. No debe usarse para aplicaciones comerciales ni industriales.
- Estos Sistemas Deshumificadores R410A requieren que los contratistas y técnicos utilicen herramientas, equipamiento y normas de seguridad aprobadas para su uso con este refrigerante. NO utilice equipamiento certificado sólo para refrigerante R22.
- Este electrodoméstico puede ser usado por personas con capacidades físicas, sensoriales, o mentales reducidas o con falta de experiencia y conocimiento, si les fue dada supervisión o instrucción relacionada con el uso de este electrodoméstico de una forma segura y entienden los riesgos involucrados.

## ⚠ ADVERTENCIA

USO DE PROLONGADORES RIESGO DE INCENDIO. Podría ocasionar lesiones graves o la muerte.

- NO use prolongadores con este Deshumificador.
- NO use protectores contra picos de corriente ni adaptadores para múltiples tomacorrientes con este Deshumificador.

## COMO CONECTAR LA ELECTRICIDAD

Bajo ninguna circunstancia, corte o remueva la tercera púa (tierra) del cable eléctrico. En pos de la seguridad personal, este electrodoméstico debe siempre conectarse a tierra.

NO USE un enchufe adaptador con este aparato.

El cable eléctrico de este electrodoméstico está equipado con un enchufe de tres púas (tierra) que combina con un tomacorriente estándar de tres tomas de pared para minimizar la posibilidad de una descarga eléctrica.

Pida a un técnico que inspeccione el tomacorriente y el circuito para cerciorarse de que el tomacorriente está conectado a tierra de la

manera apropiada.

Donde exista un tomacorriente de dos tomas, es su responsabilidad y obligación personal hacer que dicho tomacorriente sea reemplazado por uno de tres tomas con conexión a tierra.

El deshumificador debería siempre estar conectado a un tomacorriente individual con su circuito de voltaje correspondiente.

Esto proporciona el mayor rendimiento y además evita que los circuitos del resto de la casa se sobrecarguen, lo cual podría causar incendios por el sobrecalentamiento del cableado.

## ⚠ ADVERTENCIA

Riesgo de Incendio o Explosión. Esta unidad contiene refrigerante inflamable. Se deben seguir las precauciones adicionales de seguridad.



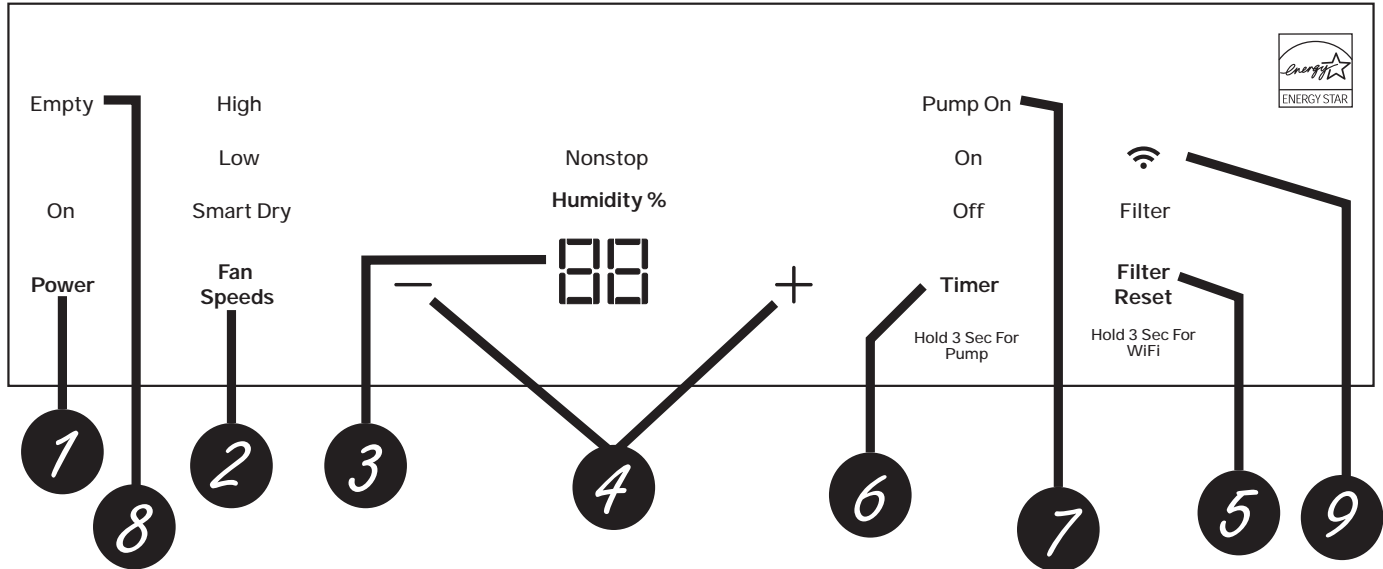
- A fin de acelerar el proceso de descongelación o para limpiar, no use ningún método que no sea el recomendado por el fabricante.
- Este electrodoméstico deberá ser guardado en una sala donde no haya fuentes de encendido continuas (por ejemplo: llamas abiertas, un electrodoméstico que funcione a gas o un calefactor que funcione a electricidad).
- No perfore ni queme el tubo refrigerante. Tenga presente que los refrigerantes no deben tener olor.
- Mantenga las aberturas de la ventilación libres de obstrucciones.
- Al mover, instalar y operar el electrodoméstico, se deberá tener cuidado para evitar dañar la tubería del refrigerante.
- No realice perforaciones en la unidad.
- El mantenimiento, la limpieza y el servicio técnico sólo deberán ser realizados por técnicos adecuadamente entrenados y calificados en el uso de refrigerantes inflamables.
- GE Appliances no brinda soporte sobre ningún servicio técnico de componentes del sistema sellado (es decir: piezas que contengan refrigerante) de ningún producto.
- Descarte el electrodoméstico de acuerdo con las Regulaciones Federales y Locales. Los refrigerantes inflamables requieren procedimientos de descarte específicos. A fin de descartar su acondicionador de aire de forma ambientalmente segura, comuníquese con las autoridades locales.

Para acceder a información sobre como reciclar sus electrodomésticos, ingrese a [GEAppliances.com/recycling](http://GEAppliances.com/recycling).

LEA Y GUARDE ESTAS INSTRUCCIONES

# Controles

La apariencia puede variar de acuerdo al modelo.



## Controles

**NOTA:** Cuando el recipiente está lleno o es retirado, los controles no pueden ser ajustados.

### 1. Power Pad

Presione para encender o apagar el deshumidificador.

**NOTA:** Apagar el encendido presionando el botón **Power** NO desconecta el electrodoméstico del suministro de corriente.

### 2. Botón de velocidad del ventilador (Fan Speed)

Controla la velocidad de circulación del aire.

Presione para seleccionar la velocidad del ventilador en High o Low.

Coloque el control del ventilador a High velocidad para lograr remover la mayor cantidad de humedad. Cuando la humedad haya sido reducida y usted prefiera una operación más tranquila, coloque el control del ventilador a Low velocidad.

### 3. Pantalla

Muestra el % del nivel de humedad programado durante la configuración, luego muestra el % del nivel de humedad real de la habitación (con una precisión de +/- 5%).

### 4. Botones para el Control de humedad (Humidity Set Control)

El nivel de humedad se podrá configurar dentro de un rango de humedad relativa (RH) de entre el 35% y el 80%, por incrementos del 5% o en el modo Nonstop (Ininterrumpido) para un funcionamiento continuo. A fin de configurar la unidad para un funcionamiento continuo, presione la tecla “-” hasta que la luz indicadora de “Nonstop” se ilumine.

**NOTA:** Si se selecciona Nonstop, el deshumidificador funcionará en forma continua en la configuración máxima de deshumidificación hasta que se llene el tanque.

Si desea aire más seco, presione el botón “-” y seleccione un valor porcentual más bajo (%).

Si desea aire más húmedo, presione el botón “+” y seleccione un valor porcentual más alto (%).

Cuando use por primera vez el deshumidificador, coloque el control del deshumidificador a 45% ó 50%. Permita que transcurran por lo menos 24 horas para que el deshumidificador alcance el nivel de humedad. Si el aire aún está más húmedo de lo deseado, ajuste el nivel de humedad a un nivel menor o seleccione el botón de funcionamiento continuo (Nonstop) para obtener una máxima deshumidificación.

### 5. Reinicio del Filtro

Después de 250 horas de operación, se encenderá la luz indicadora de **Clean the Filter** para recordarle que debe limpiar

el filtro. Quite el filtro y límpielo.

Mantenga presionado el botón del filtro durante 3 segundos para restablecer el recordatorio del filtro.

### 6. Temporizador Apagado

Mientras el deshumidificador se encuentre en funcionamiento, presione el botón **Timer**.

Presione los botones “+” / “-” para seleccionar la cantidad de horas que desea que el deshumidificador continúe funcionando antes de que el mismo se apague.

**NOTA:** Luego de exhibir el tiempo, la pantalla pasará a mostrar el nivel de humedad actual una vez que hayan pasado 5 segundos. Presionar el botón **Timer** exhibirá la cantidad de horas restantes del temporizador.

### Temporizador Encendido

Mientras el deshumidificador se encuentre apagado, presione el botón **Timer**.

Presione los botones “+” / “-” para seleccionar la cantidad de horas que desea que el deshumidificador permanezca apagado antes de encender el mismo.

**NOTA:** La pantalla mostrará la cantidad de horas restantes hasta que el deshumidificador se encienda.

### Para cancelar el temporizador:

Presionando el botón **Timer** una vez, aparecerá la cantidad de horas restantes del temporizador en la pantalla. Presione el botón **Timer** nuevamente y el mismo será cancelado.

### 7. Bomba (en algunos modelos)

Activa la bomba interior. Presione **Timer** durante 3 segundos para activar la bomba interior para la eliminación automática de los condensados. La luz de **Pump On** permanecerá iluminada después de 3 segundos. Presione **Timer** nuevamente durante 3 segundos para desactivar la bomba. Antes de encender la bomba, asegúrese de que la manguera incluida se encuentre conectada.

### 8. Indicador de Vaciado

El indicador de “Vaciado” parpadeará cuando el cubo esté listo para ser vaciado, o cuando el cubo sea retirado y/o no sea reemplazado en la posición correcta.

### 9. WiFi (en algunos modelos)

Presione el botón Filter Reset (Reinicio del Filtro) durante 3 segundos para activar la conexión del deshumidificador al WiFi del hogar. Descargue los detalles de la **SmartHQ** Aplicación en [GEAppliances.com/connect](http://GEAppliances.com/connect).



## Otras funciones

---

### **Alarma (Alarm)**

Si el tanque se encuentra lleno o no está en su lugar, sonará una alarma durante 10 segundos para recordarle de vaciar y volver a colocar el tanque.

### **Apagado automático (AUTO SHUT OFF)**

El Interruptor de control de nivel de agua apaga el deshumificador cuando el tanque esté lleno, o cuando el tanque no esté presente o no esté colocado en una posición apropiada. Sonará una alarma si el interruptor del control del nivel de agua no es reiniciado.

**NOTA:** El ventilador y el compresor dejarán de funcionar tan pronto como se retire el balde. La alarma sonará si el balde no se vuelve a colocar en la posición correcta después de 3 minutos.

### **Descongelado automático (AUTO DEFROST)**

Cuando se acumule escarcha en los serpentines evaporadores, el compresor se apagará, y el ventilador continuará funcionando hasta que la escarcha desaparezca. Mientras se descongele la bobina, el compresor o ventilador se reiniciará de forma automática y el deshumificador se reiniciará.

### **Pérdida de energía (POWER OUTAGE)**

En caso de la pérdida de la energía o interrupción, la unidad reiniciará automáticamente, en las configuraciones usadas por última vez, una vez la energía sea restablecida.

## Cómo usar el deshumificador

---

Cuando se disponga a usar el deshumificador por primera vez, permita que la unidad opere de manera continua por 24 horas.

---

### **Cómo funciona el deshumificador**

La humedad en el aire pasa por un serpentín deshumificador. La humedad en el aire se condensa en este serpentín y se drena hacia el tanque (o a través de la manguera y luego través del drenaje).

El aire limpio y seco pasa luego por el condensador donde es

calentado y desechado de regreso al medio ambiente a través de la parrilla.

Es normal que el aire en los alrededores se caliente un poco conforme el deshumificador funciona.

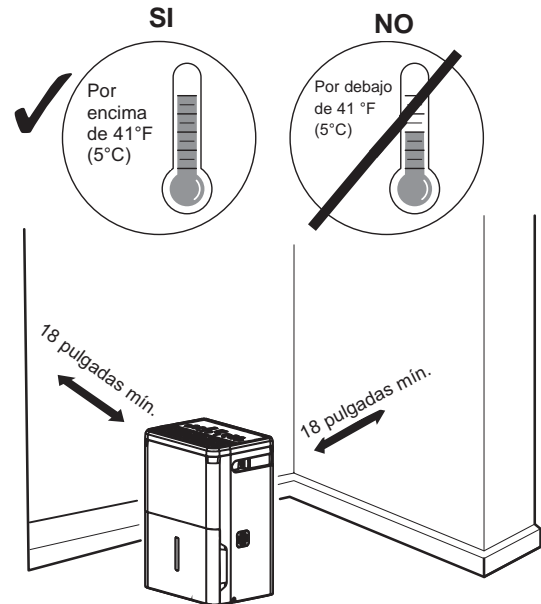
# Cómo usar el deshumidificador

## Selección del lugar adecuado

El deshumidificador ubicado en un sótano tendrá poco o ningún efecto en secar el aire dentro áreas adyacentes de almacenamiento, como un armario, por ejemplo, al menos que exista una circulación adecuada de aire hacia en interior y hacia el exterior de dicha área.

- No use el deshumidificador en exteriores.
- Este deshumidificador está diseñado exclusivamente para aplicaciones residenciales de interior. No debe usarse para aplicaciones comerciales ni industriales.
- Coloque el deshumidificador en un piso firme y nivelado que sea lo suficientemente fuerte para soportar la unidad cuando la cubeta esté llena de agua.
- Deje por lo menos 18 pulgadas de espacio libre alrededor de la unidad para que exista una buena circulación de aire.
- Coloque el deshumidificador en un área en la que la temperatura no sea inferior a 41 °F (5 °C) ni superior a 90°F (32°C). Los serpentines pueden escarcharse en ambientes con temperaturas inferiores a 41 °F (5 °C), lo cual puede reducir su rendimiento.
- El rango sugerido de la humedad relativa está entre 40% y 50%.
- Use el deshumidificador en áreas como la cocina, cuartos de lavado, baños, y en áreas donde exista humedad excesiva. **NOTA:** Coloque el deshumidificador lejos de la secadora de ropa.
- Use el deshumidificador para evitar daños causados por la humedad en lugares donde guarde libros o artículos de valor.

- Use el deshumidificador en el sótano para ayudar a prevenir los daños causados por la humedad.
- El deshumidificador debe usarse en áreas cerradas para mayor efectividad.
- Cierre todas las puertas, ventanas y otras aberturas hacia el exterior de la habitación en donde esté el deshumidificador.



**NOTA:** El deshumidificador tiene ruedas para ayudarle a colocarlo en distintos lugares, pero debe rodarse en superficies firmes y planas. No intente rodarlo sobre objetos o sobre una alfombra.

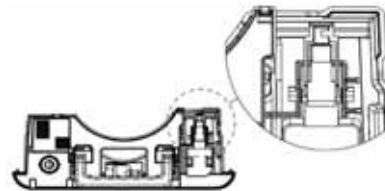
## Nivel de agua

El deshumidificador se apagará automáticamente cuando el tanque se llene, o cuando el tanque sea removido o no sea colocado en la posición apropiada.

El tanque debe colocarse en la posición apropiada para que el deshumidificador funcione. El indicador de vaciado parpadeará y el deshumidificador no funcionará si el cubo no se encuentra en la posición correcta.

## Funcionamiento del Balde

NO retire el flotador o imán de la junta de la cubeta. Si se retira, el Deshumidificador no funcionará correctamente.



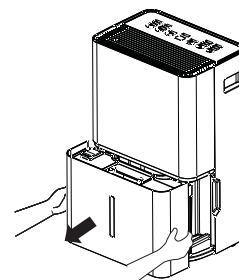
## Cómo desechar el agua acumulada

Hay 3 formas de eliminar el agua acumulada:

- Usa el balde
- Use una manguera de jardín
- Utilizar la bomba interna (en algunos modelos)

**Use el tanque.** Cuando usted saque el tanque de su lugar, la unidad se apagará. Vacíe y reinstalelo.

**IMPORTANTE:** No use el manguera si usa el tanque para recoger agua. Si el manguera está conectada, el agua caerá al piso en lugar de caer dentro del tanque.

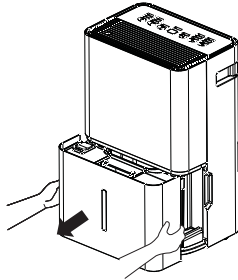


# Cómo usar el deshumidificador

## Cómo desechar el agua acumulada

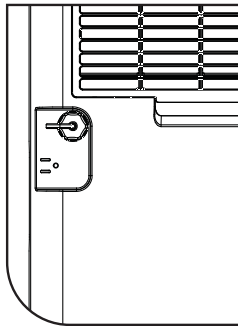
### NOTAS:

- No retire el balde con el deshumidificador en funcionamiento o si recién se apagó. Esto puede hacer que el agua gotee del recipiente de drenaje.
- El tanque debe estar en su lugar y bien sujeto para que el deshumidificador funcione.

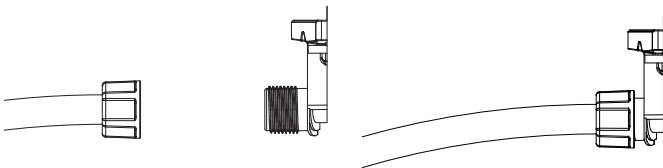


**Usa una manguera de jardín.** El agua puede desecharse automáticamente hacia un drenaje en el piso si usted conecta el tubo de drenaje con boquilla de la unidad a una manguera para agua de jardín (no incluida).

1. Desenrosque la tapa de la salida de la manguera, ubicada en la parte trasera del deshumidificador justo debajo del filtro.



2. Enrosque una manguera de jardín (no suministrada) sobre la boquilla y asegúrese de que se encuentre bien ajustada. Corte la misma de acuerdo a la longitud y condúzcala hasta el drenaje del suelo.



3. Enrosque una manguera de jardín (no suministrada) sobre la boquilla y asegúrese de que se encuentre bien ajustada. Corte la misma de acuerdo a la longitud y condúzcala hasta el drenaje del piso.

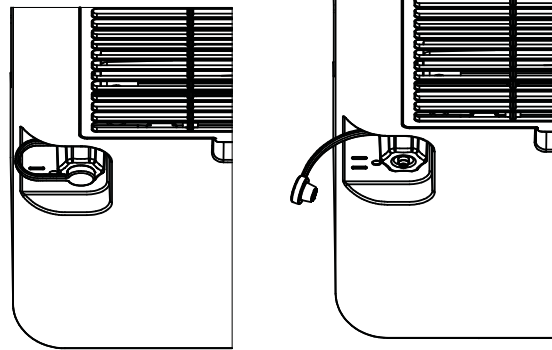
4. Vuelva a colocar el tanque en la unidad.

**NOTA:** El tanque debe estar en su lugar y bien sujeto para que el deshumidificador funcione. La manguera de jardín debe correr desde el deshumidificador hasta el desagüe del piso.

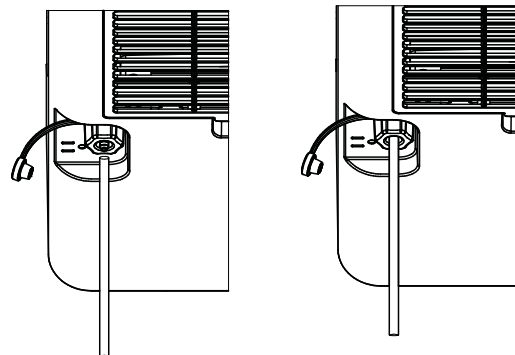
### Use la bomba interna (en algunos modelos).

El agua puede ser vaciada de forma automática en una ubicación remota, adhiriendo la manguera incluida de la bomba.

1. Retire el tapón de drenaje de goma negro de la conexión de la manguera de jardín, el cual expone el conector de la manguera.



2. Conecte la manguera incluida en el conector de la manguera, asegurándose de que la manguera cubra completamente el conector de la manguera para evitar pérdidas.



3. Conduzca la descarga de la manguera hasta la ubicación de drenaje deseada.

4. Asegúrese de que la bomba esté activada. Para activar la bomba, mantenga presionado el botón Timer (Temporizador) durante 3 segundos. El indicador de Pump On (Bomba Activada) permanecerá iluminado.

**IMPORTANTE:** Asegúrese de que la manguera para condensado esté correctamente conectada y que no esté retorcida, inclinada ni fisurada, ya que esto puede hacer que caiga agua al piso. Asegúrese de que el balde esté vacío antes de poner la unidad en modo de bomba. El cubo también debe estar completamente apoyado para que la bomba funcione de forma correcta. No utilice la máquina si la temperatura ambiente es de 41°F o inferior.

### NOTAS:

- La altura máxima de elevación es de 16 pies.

# Cuidado y limpieza

Apague el deshumificador y desconecte el enchufe del tomacorriente en la pared antes de limpiarlo.

## Rejilla y gabinete

### Para limpiar el gabinete:

Use agua y un detergente de baja concentración. No use blanqueador ni limpiadores abrasivos.

### Para limpiar la rejilla superior o trasera:

Use una aspiradora con accesorio de cepillo suave o un cepillo de mano.

## Tanque de agua

### Para limpiar:

Después de algunas semanas, limpie el tanque para evitar la formación de moho, mildiú y bacterias. Llene parcialmente el tanque con agua limpia y agregue un poco de detergente suave. Agite el contenido dentro del tanque, luego vacíelo y enjuáguelo.

**NOTA:** No use una máquina lavavajillas para limpiar el tanque de agua.

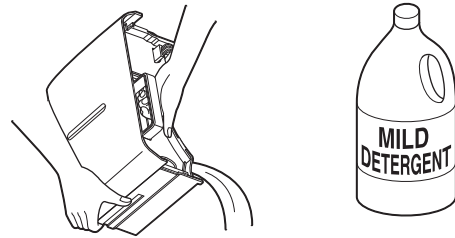
### Para retirar:

Retire el tanque y deseche todo resto de agua.

### Para volver a colocar:

Coloque el tanque en el deshumificador deslizándolo.

**NOTA:** El tanque debe estar en su lugar y bien sujeto para que el deshumificador funcione.



## Filtro de aire

El filtro de aire que se encuentra detrás de la rejilla trasera se deberá revisar y limpiar por lo menos cada 250 horas de funcionamiento o con una frecuencia mayor, si fuera necesario.

Luego de 250 horas de funcionamiento, la luz indicadora de Limpieza del Filtro brillará para recordarle que se debe limpiar el filtro. Retire el filtro y limpie el mismo. Reemplace el filtro y presione la tecla Filter Timer (Temporizador del Filtro) para reiniciar el recordatorio del filtro.

### Para retirar:

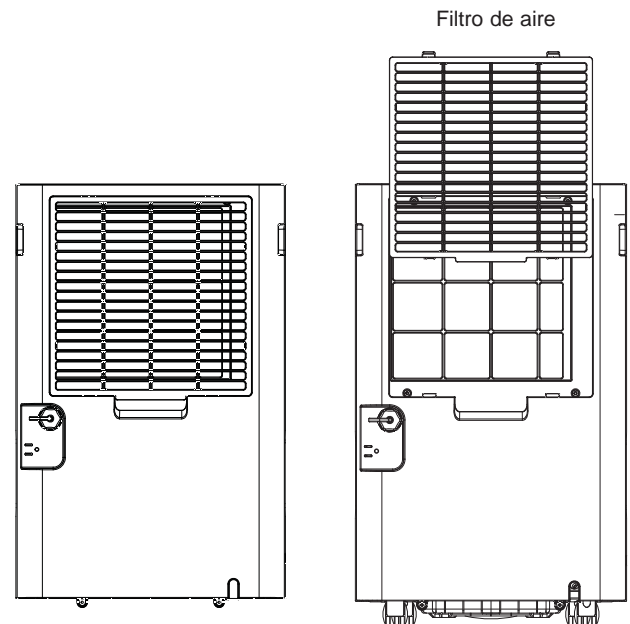
Retire la rejilla trasera y el filtro se encontrará adherido.

### Para limpiar:

Limpie el filtro con agua caliente y jabón. Enjuague y deje secar el filtro antes de su reemplazo.

**NOTA:** No enjuague ni coloque el filtro en un lavavajillas automático.

**⚠ PRECAUCIÓN** NO OPERE el deshumificador sin el filtro debido a que la suciedad y las pelusas lo obstruirán y reducirán su rendimiento.



# Consejos para la Solución de Problemas... Antes de solicitar el servicio técnico

¡Ahorre tiempo y dinero! Primero revise los cuadros que aparecen en las siguientes páginas y es posible que no necesite solicitar reparaciones.

Problema	Causas posibles	Qué hacer
El deshumificador no enciende	El cable eléctrico del deshumificador está desenchufado.	Cerciórese de que la clavija del deshumificador esté conectada en la pared.
	El fusible está quemado o el disyuntor del circuito está abierto.	Revise la caja del disyuntor del circuito ó el fusible; cambie el fusible o vuelva a activar el disyuntor.
	El deshumificador ha alcanzado su nivel preseleccionado o el tanque de agua está lleno.	El deshumificador se apaga automáticamente cuando ocurre alguna de las dos condiciones. Cambie a una configuración más baja o vacíe el tanque de agua y reinstale apropiadamente.
	El tanque no está en su lugar.	El tanque debe estar en su lugar y bien sujeto para que el deshumificador funcione.
	Corte de energía.	Hay una demora protectora (de hasta 3 minutos) para prevenir la interrupción de la sobrecarga del compresor. Por esa razón, la unidad no reiniciará la deshumidificación a los 3 minutos de haber sido encendida de nuevo.
Deshumificador no seca el aire como debiera	No ha pasado suficiente tiempo para que seque el aire.	Cuando se instala por primera vez, deje que pasen 24 horas para que se mantenga el nivel de humedad deseada.
	Hay escasa circulación de aire.	Cerciórese de que no haya cortinas, persianas o muebles que bloqueen la parte arriba o atrás del deshumificador. Vea la sección Selección del lugar adecuado.
	Filtro sucio	Vea la sección de Cuidado y limpieza.
	El Control de humedad no está ajustado lo suficientemente bajo.	Para aire más seco, presione el botón y seleccione un valor porcentual más bajo (%) o en <b>NS</b> (Nonstop) para obtener una máxima deshumidificación.
	Las puertas y ventanas no están cerradas completamente.	Revise que todas las puertas, ventanas y otras aberturas estén cerradas completamente.
	El secador de ropa podría estar generando aire húmedo en el recinto.	Instale el deshumificador lejos de la secadora de ropa. El secador debe desechar el aire hacia el exterior.
	La temperatura del recinto está demasiado baja.	La deshumidificación es mejor a temperaturas ambiente altas. Temperaturas bajas causan bajo rendimiento de deshumidificación. Modelos están diseñada para funcionar a temperaturas por encima de 41 °F (5 °C).
El deshumificador trabaja demasiado	El volumen de aire a deshumidificar es excesivo.	La capacidad de su deshumificador no están adecuada.
	Las puertas y ventanas están abiertas.	Cierre todas las puertas y ventanas que den al exterior.
Se forma escarcha en el serpentín	El deshumificador ha sido encendido hace poco o la temperatura del recinto es inferior a 41 °F (5 °C).	Esto es normal. La escarcha normalmente desaparecerá en 60 minutos. Vea la sección de Descongelado automático (Automatic defrost).
Los controles no se pueden configurar	El compresor se apaga, y el ventilador sigue funcionando automáticamente durante aproximadamente 3 minutos a una configuración fija.	Esto es normal. Espere aproximadamente 3 minutos y coloque el ventilador lo desee.
El ventilador hace ruido	El aire se mueve a través del deshumificador.	Esto es normal.
Hay agua en el piso	La conexión a la manguera está floja.	Inspeccione la conexión a la manguera. Consulte la sección Cómo desechar el agua acumulada.
	Intenta usar el tanque para recoger agua, pero el manguera está colocada.	Desconecte el manguera si usa el tanque para recoger agua. Consulte la sección Cómo desechar el agua acumulada.
La luz LED de Tanque Lleno destella y suena la alarma	La manguera de drenaje no está bien ajustada en el accesorio	Verifique la conexión de la manguera de drenaje
	La manguera de drenaje está torcida	Verifique que la manguera de drenaje apunte en forma recta hacia el piso y que no se encuentre torcida.
El balde se llena cuando se usa la bomba de drenaje (en algunos modelos)	La unidad no está en modo bomba	Asegúrese de que la bomba esté encendida y la luz de la bomba esté iluminada
	Manguera de bomba no instalada	Asegúrese de que la manguera de la bomba esté correctamente instalada en la parte posterior de la unidad
	Problema con el sensor de nivel de agua	Esto puede deberse a condiciones de mucha humedad o un error con el sensor de flotación. Verifique la unidad en busca de un código de error P1 en la pantalla. Si esto está presente, apague la unidad, desenchúfela durante unos segundos, vuelva a enchufarla y encienda la unidad para restablecer el sensor. Si este error continúa, consulte la sección de garantía para conocer las opciones de cambio.

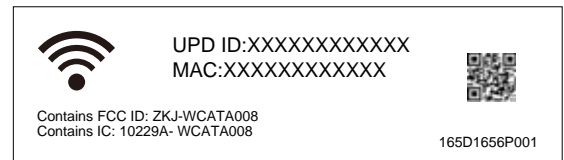
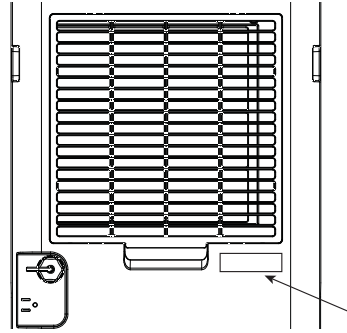
# Configuración WiFi

## GE Appliances SmartHQ (Para clientes en Estados Unidos)

**GE Appliances SmartQ Habilitado\*** Si su acondicionador de aire posee una etiqueta de Información del Electrodoméstico Conectado ubicada en la parte externa como se muestra a continuación, su acondicionador de aire cuenta con GE SmartHQ Habilitado. Una tarjeta de comunicación de WiFi está incorporada en el producto, permitiendo la comunicación del mismo con su teléfono inteligente para el monitoreo remoto, control y notificaciones. Para aprender más sobre las funciones del electrodoméstico conectado, y para saber qué aplicaciones de electrodomésticos conectados funcionarán con su teléfono inteligente, visite [GEAppliances.com/connect](http://GEAppliances.com/connect).

### Conectividad WiFi:

Para solicitar asistencia en relación a su electrodoméstico o sobre la conectividad de red **ConnectPlus** (para modelos con WiFi habilitado o WiFi opcional), comuníquese al **1-800-220-6899**.



## Puesta en marcha

A fin de conectar su acondicionador de aire para sala, necesitará la Aplicación de GE Appliances. La aplicación lo guiará a través del proceso de conexión. Descargue la aplicación de iTunes o Google Play.



**Los datos de todos los electrodomésticos conectados son guardados en estricto cumplimiento con la Política de Privacidad de Datos de Conexión de GE Appliances. Para acceder a esta política, visite [geappliances.com/privacy/privacy\\_policy\\_connected](http://geappliances.com/privacy/privacy_policy_connected).**

### Preguntas acerca de SmartHQ

Acceda a respuestas necesarias sobre la configuración de electrodomésticos con WiFi y la conexión a su red hogareña a través de nuestros artículos de soporte.

Para acceder a los artículos de soporte la conexión wifi del acondicionador de aire para sala, visite [products.geappliances.com/appliance/gea-support-search-content](http://products.geappliances.com/appliance/gea-support-search-content).

## INFORMACIÓN REGULATORIA

### Declaración de Cumplimiento con FCC/ IC:

1. Este dispositivo no podrá causar interferencias perjudiciales.
2. Este dispositivo debe aceptar cualquier interferencia recibida, incluidas las interferencias que puedan provocar un funcionamiento no deseado.

Este equipo fue probado y cumple con los límites establecidos para un dispositivo digital de clase B, según la parte 15 de la Normativa de la FCC. Estos límites fueron diseñados para brindar una protección razonable contra interferencias nocivas en una instalación residencial. Este equipo genera, usa y puede emitir energía de radiofrecuencia y, si no se instala y utiliza de acuerdo con las instrucciones, puede ocasionar interferencias perjudiciales sobre las comunicaciones radiales. Sin embargo, no se garantiza que no se presenten interferencias en una instalación en particular. Si este equipo provoca interferencias perjudiciales para la recepción de radio

o televisión, lo que puede comprobar encendiendo y apagando el equipo, se aconseja al usuario que intente corregir la interferencia a través de una o más de las siguientes medidas:

- Reoriente o reubique la antena receptora.
- Aumente la separación entre el equipo y el receptor.
- Conecte el equipo a un tomacorriente de un circuito diferente al tomacorriente al cual se encuentra conectado el receptor.
- Para solicitar ayuda, consulte al comerciante minorista o a un técnico experimentado de radio/ televisión.

**Etiqueta:** Las modificaciones sobre esta unidad no aprobadas expresamente por parte del fabricante podrían anular la autoridad del usuario para utilizar el equipo.

\*Modelos Selectos Únicamente

Este producto tiene capacidad Wi-Fi y requiere conectividad a Internet y un enrutador inalámbrico para permitir la interconexión con un Sistema de administración de energía y / o con otros dispositivos, sistemas o aplicaciones externos.

# Garantía de su acondicionador de aire—garantía limitada de un año.

Abroche su recibo aquí. Para acceder al servicio técnico de acuerdo con la garantía deberá contar con la prueba de la fecha original de compra.

Por el Período de:	Reemplazaremos:
Un Año Desde la fecha de la compra original	<b>Reemplazo, reparación o reembolso</b> del costo minorista original de cualquier producto que falle debido a un defecto en los materiales o la fabricación. Si la unidad es cambiada, la unidad de reemplazo posee garantía por el resto del período de la garantía original de un año sobre su producto. GE Appliances reemplazará, a su exclusivo criterio, el producto por otro de la misma o de una funcionalidad y calidad comparable o hará un reembolso por el precio minorista original.

## Para hacer un reclamo de garantía durante el período de devolución permitido de su minorista:

- Embale la unidad correctamente. Le recomendamos usar la caja de cartón y los materiales de embalaje originales.
- Entregue el producto en la ubicación del vendedor minorista donde fue adquirido.
- Incluya en el paquete una copia del receptor de la venta u otro comprobante de la fecha de compra original. También escriba su nombre y domicilio y una descripción del defecto.

## A Fin de Realizar un Reclamo sobre la Garantía Durante el Resto de la Garantía de un Año:

- Ubique su recibo de venta original y haga una nota de su modelo y número de serie.
- Llame al 866.907.1655 (en Estados Unidos) para iniciar un reclamo de garantía
- Se solicitará su nombre, domicilio, fecha de compra, y números de modelo y serie.
- Las reclamaciones de garantía pueden requerir evidencia de compra electrónica o enviada por correo.

## Qué No Será Cubierto:

- Instrucción al cliente. Este manual del propietario brinda información relacionada con instrucciones de funcionamiento y controles del usuario.
- Instalación inadecuada. Si tiene un problema de instalación o el producto no posee la capacidad adecuada, contacte a su vendedor minorista o instalador. Usted es responsable de brindar instalaciones de conexión eléctrica adecuadas.
- Falla del producto como resultado de modificaciones sobre el mismo o debido a un uso irrazonable, incluyendo la falta de mantenimiento razonable o necesario.
- Reemplazo de fusibles del hogar o reinicio de disyuntores.
- Fallas como consecuencia de corrosión.
- Daños ocasionados sobre el producto por nivel de suministro de voltaje inadecuado, accidente, incendio, inundaciones o catástrofes naturales.
- Daños consecuentes o incidentales causados por posibles defectos del producto.
- Daño causado después de la entrega.

**EXCLUSIÓN DE GARANTÍAS IMPLÍCITAS**—Su única y exclusiva alternativa es la reparación del producto, como se indica en la Garantía Limitada. Las garantías implícitas, incluyendo garantías implícitas de comerciabilidad o conveniencia sobre un propósito particular, se limitan a un año o al período más corto permitido por la ley.

Para Clientes de EE.UU: Esta garantía limitada se extiende al comprador original y a cualquier dueño subsiguiente de productos comprados para uso hogareño dentro de EE.UU. Si el producto está en un área donde no se encuentra disponible un Proveedor Autorizado del Servicio Técnico de GE Appliances, usted será responsable por el costo de un viaje o se podrá requerir que traiga el producto a una ubicación del Servicio Técnico de GE Appliances Autorizado para recibir el servicio. En Alaska, la garantía limitada excluye el costo de envío o llamadas del servicio técnico a su hogar.

Algunos estados no permiten la exclusión o limitación de daños fortuitos o consecuentes. Esta garantía limitada le da derechos legales específicos y es posible que tenga otros derechos legales que varían entre un estado y otro. Para conocer cuáles son sus derechos legales, consulte a la oficina de asuntos del consumidor local o estatal o al Fiscal de su estado.

Garante en EE.UU:  
GE Appliances, a Haier company  
Louisville, KY 40225

Abroche su recibo aquí. Para acceder al servicio técnico de acuerdo con la garantía deberá contar con la prueba de la fecha original de compra.

# Soporte al Cliente

---

## GE Appliances Sitio Web

¿Desea realizar una consulta o necesita ayuda con su electrodoméstico? ¡Intente a través del Sitio Web de Electrodomésticos de GE Appliances las 24 horas del día, cualquier día del año! Usted también puede comprar más grandiosos productos de GE Appliances y sacar ventaja de todos nuestros servicios a través de Internet diseñados para su conveniencia.  
En EE.UU.: [GEAppliances.com](http://GEAppliances.com)

---

## Registre su Electrodoméstico

¡Registre su electrodoméstico nuevo a través de Internet, según su conveniencia! Un registro puntual de su producto permitirá una mejor comunicación y un servicio más puntual de acuerdo con los términos de su garantía, en caso de surgir la necesidad. También puede enviar una carta en la tarjeta de inscripción pre-impresa que se incluye con el material embalado.  
En EE.UU.: [GEAppliances.com/register](http://GEAppliances.com/register)

---

## Garantías Extendidas

Adquiera una garantía extendida de GE Appliances y aprenda sobre descuentos especiales que están disponibles mientras su garantía aún está vigente. La puede adquirir en cualquier momento a través de Internet. Los Servicios de GE Appliances aún estarán allí cuando su garantía caduque. En EE.UU.: [GEAppliances.com/extended-warranty](http://GEAppliances.com/extended-warranty) o llame al 800.626.2224 durante el horario comercial habitual.

---

## Conectividad Remota

Para solicitar asistencia con la conectividad de red inalámbrica (para modelos con activación remota), visite nuestro sitio Web en [GEAppliances.com/connect](http://GEAppliances.com/connect) o llame al 800.220.6899 en EE.UU.

---

## Piezas y Accesorios

Individuos calificados para realizar el servicio técnico de sus propios electrodomésticos podrán solicitar el envío de piezas o accesorios directamente a sus hogares (se aceptan las tarjetas VISA, MasterCard y Discover). Ordene a través de Internet hoy durante las 24 horas del día. En EE.UU.: [GEApplianceparts.com](http://GEApplianceparts.com) o por teléfono al 877.959.8688 durante el horario comercial habitual.

**Las instrucciones que figuran en este manual cubren los procedimientos que serán realizados por cualquier usuario. Otros servicios técnicos generalmente deberían ser derivados a personal calificado del servicio. Se deberá tener cuidado, ya que una reparación indebida podrá ocasionar que el funcionamiento no sea seguro.**

---

## Contáctenos

Si no se encuentra satisfecho con el servicio que recibió de GE Appliances, comuníquese con nosotros a través de nuestro sitio Web con todos los detalles, incluyendo su número telefónico, o escriba a:

En EE.UU.: General Manager, Customer Relations | GE Appliances, Appliance Park | Louisville, KY 40225  
[GEAppliances.com/contact](http://GEAppliances.com/contact)