

INSTALLATION INSTRUCTIONS 20" (50.8 CM) FREESTANDING ELECTRIC RANGE

with Standard Clean Oven

INSTRUCCIONES DE INSTALACIÓN ESTUFA ELÉCTRICA AUTÓNOMA DE 20" (50,8 CM)

con horno de limpieza estándar

Table of Contents/Índice

RANGE SAFETY	2	SEGURIDAD DE LA ESTUFA	13
INSTALLATION REQUIREMENTS	2	REQUISITOS DE INSTALACIÓN	14
Tools and Parts	2	Piezas y herramientas	14
Location Requirements	3	Requisitos de ubicación	14
Electrical Requirements	4	Requisitos eléctricos	15
INSTALLATION INSTRUCTIONS	5	INSTRUCCIONES DE INSTALACIÓN	17
Unpack Range.....	5	Desempaque la estufa	17
Install Anti-Tip Bracket.....	6	Instalación del soporte anti-vuelco	17
Electrical Connection	7	Conexión eléctrica.....	19
Verify Anti-Tip Bracket Location	12	Verificación de la ubicación del soporte anti-vuelco	24
Level Range.....	12	Nivelación de la estufa	24
Complete Installation	12	Complete la instalación	24
Check Operation	12	Verifique el funcionamiento.....	24

IMPORTANT:

Save for local electrical inspector's use.

IMPORTANTE:

Guarde para tenerlas a disposición del inspector de electricidad local.

RANGE SAFETY

Your safety and the safety of others are very important.

We have provided many important safety messages in this manual and on your appliance. Always read and obey all safety messages.



This is the safety alert symbol.

This symbol alerts you to potential hazards that can kill or hurt you and others.

All safety messages will follow the safety alert symbol and either the word "DANGER" or "WARNING." These words mean:

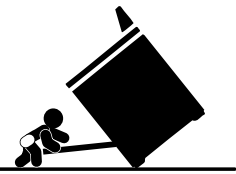
⚠ DANGER

You can be killed or seriously injured if you don't immediately follow instructions.

⚠ WARNING

You can be killed or seriously injured if you don't follow instructions.

All safety messages will tell you what the potential hazard is, tell you how to reduce the chance of injury, and tell you what can happen if the instructions are not followed.



⚠ WARNING

Tip Over Hazard

A child or adult can tip the range and be killed.

Connect anti-tip bracket to rear range foot.

Reconnect the anti-tip bracket, if the range is moved.

Failure to follow these instructions can result in death or serious burns to children and adults.

INSTALLATION REQUIREMENTS

Tools and Parts

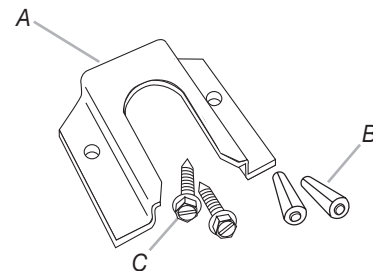
Gather the required tools and parts before starting installation. Read and follow the instructions provided with any tools listed here.

Tools needed

- Tape measure
- Flat-blade screwdriver
- Phillips screwdriver
- Level
- Hammer
- Hand or electric drill
- Wrench or pliers
- Marker or pencil
- Masking tape
- Wire strippers
- 3/8" nut driver
- 1/8" (3.2 mm) drill bit (for wood floors)
- 3/16" (4.8 mm) carbide-tipped masonry drill bit (for concrete/ceramic floors)

Parts supplied

Check that all parts are included.



A. Anti-tip bracket
B. Plastic anchors (2)
C. #10 x 1/2" screws (2)

Anti-tip bracket must be securely mounted to subfloor. Thickness of flooring may require longer screws to anchor bracket to subfloor. Longer screws are available from your local hardware store.

Parts needed

If using a power supply cord:

- A UL listed power supply cord kit marked for use with ranges. The cord should be rated at 250 volts minimum, 40 amps or 50 amps that is marked for use with nominal 1 $\frac{3}{8}$ " (3.5 cm) diameter connection opening and must end in ring terminals or open-end spade terminals with upturned ends.
- A UL listed strain relief.

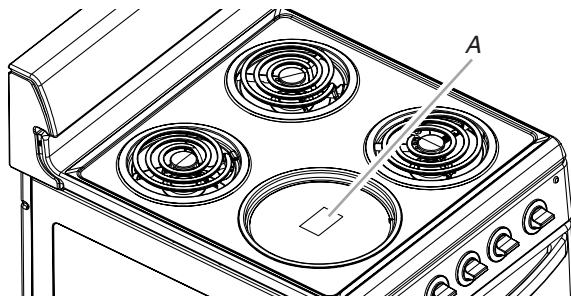
Check local codes. Check existing electrical supply. See "Electrical Requirements" section.

It is recommended that all electrical connections be made by a licensed, qualified electrical installer.

Location Requirements

IMPORTANT: Observe all governing codes and ordinances.

- It is the installer's responsibility to comply with installation clearances specified on the model/serial rating plate. The model/serial rating plate is located on under the left front burner bowl.



A. Model/serial rating plate

- The range should be located for convenient use in the kitchen.
- Recessed installations must provide complete enclosure of the sides and rear of the range.
- To eliminate the risk of burns or fire by reaching over heated surface units, cabinet storage space located above the surface units should be avoided. If cabinet storage is to be provided, the risk can be reduced by installing a range hood that projects horizontally a minimum of 5" (12.7 cm) beyond the bottom of the cabinets.
- Cabinet opening dimensions that are shown must be used. Given dimensions are minimum clearances.
- The floor anti-tip bracket must be installed. To install the anti-tip bracket shipped with the range, see "Install Anti-Tip Bracket" section.
- Grounded electrical supply is required. See "Electrical Requirements" section.
- Contact a qualified floor covering installer to check that the floor covering can withstand at least 200°F (93°C).
- Use an insulated pad or 1/4" (0.64 cm) plywood under range if installing range over carpeting.

IMPORTANT: To avoid damage to your cabinets, check with your builder or cabinet supplier to make sure that the materials used will not discolor, delaminate or sustain other damage. This oven has been designed in accordance with the requirements of UL and CSA International and complies with the maximum allowable wood cabinet temperatures of 194°F (90°C).

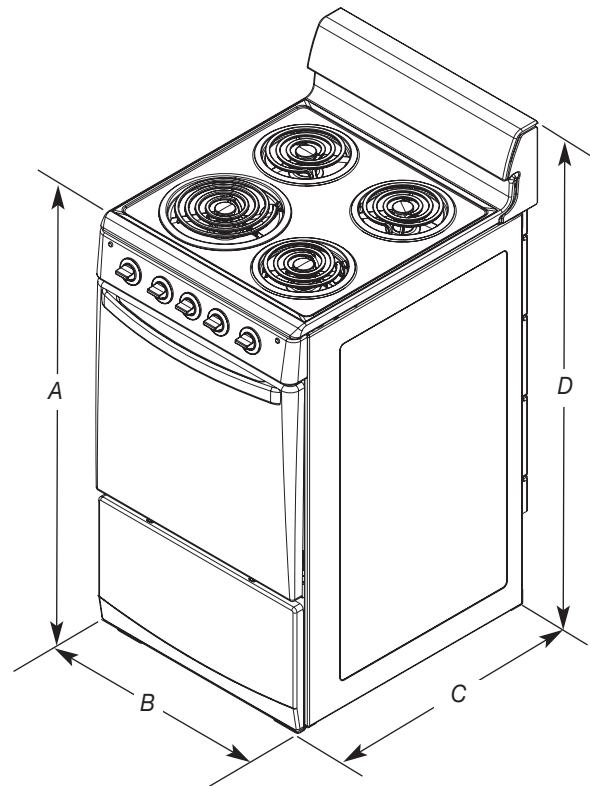
Mobile Home - Additional Installation Requirements

The installation of this range must conform to the Manufactured Home Construction and Safety Standard, Title 24 CFR, Part 3280 (formerly the Federal Standard for Mobile Home Construction and Safety, Title 24, HUD Part 280). When such standard is not applicable, use the Standard for Manufactured Home Installations, ANSI A225.1/NFPA 501A or with local codes.

Mobile home installations require:

- When this range is installed in a mobile home, it must be secured to the floor during transit. Any method of securing the range is adequate as long as it conforms to the standards listed above.
- Four-wire power supply cord or cable must be used in a mobile home installation. The appliance wiring will need to be revised. See "Electrical Connection" section.

Product Dimensions



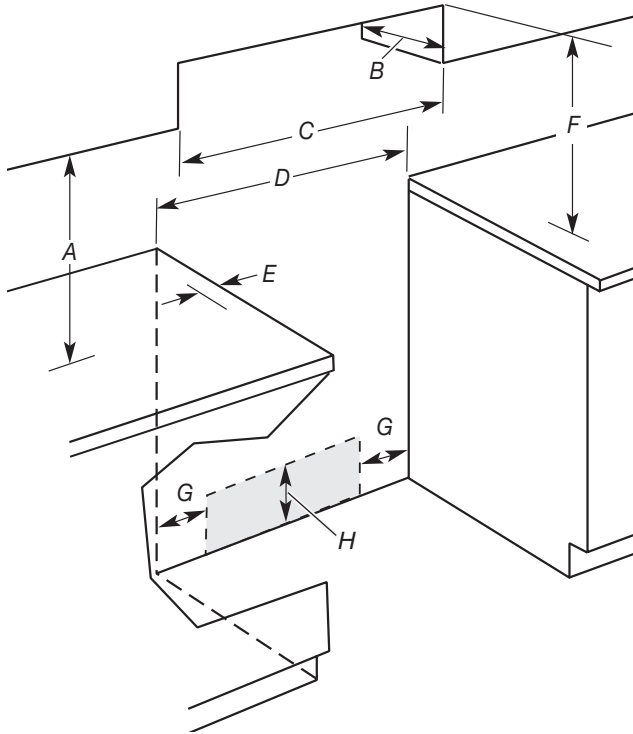
- A. 36" (91.5 cm)
- B. 19 $\frac{1}{2}$ " (49.5 cm)
- C. 24 $\frac{1}{2}$ " (62.2 cm)
- D. 42" (106.7 cm)

Cabinet Dimensions

Cabinet opening dimensions shown are for 25" (64.0 cm) countertop depth, 24" (61.0 cm) base cabinet depth and 36" (91.4 cm) countertop height.

If the cabinet depth is greater than 24" (61.0 cm), the oven frame must extend beyond cabinet fronts by ½" (13.0 mm) minimum.

IMPORTANT: If installing a range hood or microwave hood combination above the range, follow the range hood or microwave hood combination installation instructions for dimensional clearances above the cooktop surface.



A. 18" (45.7 cm) min. clearance upper side cabinet to countertop

B. 13" (33.0 cm) max. upper cabinet depth

C. 20" (50.8 cm) min. cabinet opening width

D. 20 ½" (51.1 cm) opening width

E. 5" (12.7 cm) min. countertop space to side wall or other combustible material

F. For minimum clearance to top of cooktop, see NOTE.

G. Wall receptacle - 8" (20.3 cm) from either cabinet,

H. 5½" (14.0 cm) max. from floor. Locate 120/240-volt receptacle in shaded area.

NOTE: 24" (61.0 cm) minimum when bottom of wood or metal cabinet is covered by not less than ¼" (0.64 cm) flame retardant millboard covered with not less than No. 28 MSG sheet steel, 0.015" (0.4 mm) stainless steel, 0.024" (0.6 mm) aluminum or 0.020" (0.5 mm) copper.

30" (76.2 cm) minimum clearance between the top of the cooking platform and the bottom of an uncovered wood or metal cabinet.

Electrical Requirements

If codes permit and a separate ground wire is used, it is recommended that a qualified electrical installer determine that the ground path is adequate and wire gauge is in accordance with local codes.

Do not use an extension cord.

Be sure that the electrical connection and wire size are adequate and in conformance with the National Electrical Code, ANSI/NFPA 70-latest edition and all local codes and ordinances.

A copy of the above code standards can be obtained from:

National Fire Protection Association
One Batterymarch Park
Quincy, MA 02269

WARNING: Improper connection of the equipment-grounding conductor can result in a risk of electric shock. Check with a qualified electrician or service technician if you are in doubt as to whether the appliance is properly grounded. Do not modify the power supply cord plug. If it will not fit the outlet, have a proper outlet installed by a qualified electrician.

Electrical Connection

To properly install your range, you must determine the type of electrical connection you will be using and follow the instructions provided for it here.

- Range must be connected to the proper electrical voltage and frequency as specified on the model/serial number rating plate. The model/serial number rating plate is located under the front left burner bowl. Refer to the figure in the "Location Requirements" section.
- This range is manufactured with the neutral terminal connected to the cabinet. Use a 3-wire UL listed, 40- or 50-amp power supply cord (pigtail) (see Range Rating chart below). If local codes do not permit ground through the neutral, use a 4-wire power supply cord rated at 250 volts, 40 or 50 amps and investigated for use with ranges.

Range Rating*

Specified Rating of Power Supply Cord Kit and Circuit Protection

120/240 Volts	120/208 Volts	Amps
8.0 - 16.5 KW	6.0 - 12.5 KW	40 or 50**
16.6 - 22.5 KW	12.6 - 18.5 KW	50

*The NEC calculated load is less than the total connected load listed on the model/serial rating plate.

**If connecting to a 50-amp circuit, use a 50-amp rated cord with kit. For 50-amp rated cord kits, use kits that specify use with a nominal 1 ⅜" (34.93 mm) diameter connection opening.

- A circuit breaker is recommended.
- The range can be connected directly to the circuit breaker box (or fused disconnect) through flexible or nonmetallic sheathed, copper or aluminum cable. See "Electrical Connection."
- Allow 2 to 3 ft (61.0 cm to 91.4 cm) of slack in the line so that the range can be moved if servicing is ever necessary.
- A UL listed conduit connector must be provided at each end of the power supply cable (at the range and at the junction box).
- Wire sizes and connections must conform with the rating of the range (40 amps).
- The wiring diagram is located on the underside of the storage drawer or below the warming drawer in a clear plastic bag.

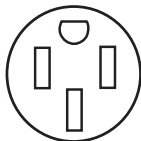
If connecting to a 4-wire system:

This range is manufactured with the ground connected to the neutral by a link. The ground must be revised so the green ground wire of the 4-wire power supply cord is connected to the cabinet. See "Electrical Connection."

Grounding through the neutral conductor is prohibited for new branch-circuit installations (1996 NEC); mobile homes; and recreational vehicles, or an area where local codes prohibit grounding through the neutral conductor.

When a 4-wire receptacle of NEMA Type 14-50R is used, a matching UL listed, 4-wire, 250-volt, 40-amp, range power supply cord (pigtail) must be used. This cord contains 4 copper conductors with ring terminals or open-end spade terminals with upturned ends, terminating in a NEMA Type 14-50P plug on the supply end.

The fourth (grounding) conductor must be identified by a green or green/yellow cover and the neutral conductor by a white cover. Cord should be Type SRD or SRDT with a UL listed strain relief and be at least 4 ft (1.22 m) long.



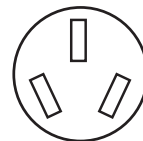
4-wire receptacle (14-50R)

The minimum conductor sized for the copper 4-wire power cord are:

- 40-amp circuit
- 2 No.-8 conductors
- 1 No.-10 white neutral
- 1 No.-8 green grounding

If connecting to a 3-wire system:

Local codes may permit the use of a UL listed, 3-wire, 250 volt, 40-amp range power supply cord (pigtail). This cord contains 3 copper conductors with ring terminals or open-end spade terminals with upturned ends, terminating in a NEMA Type 10-50P plug on the supply end. Connectors on the appliance end must be provided at the point the power supply cord enters the appliance. This uses a 3-wire receptacle of NEMA Type 10-50R.



3-wire receptacle (10-50R)

INSTALLATION INSTRUCTIONS

Unpack Range

⚠ WARNING

Excessive Weight Hazard

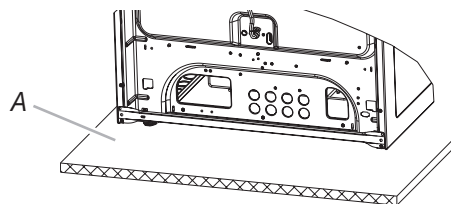
**Use two or more people to move and install range.
Failure to do so can result in back or other injury.**

1. Do not use oven door handle to lift or move the range.
2. Remove shipping materials, tape and film from range. Keep cardboard bottom under range. Remove oven racks and parts package from inside oven.
3. Take 4 cardboard corners from the carton. Stack one cardboard corner on top of another. Repeat with the other 2 corners. Place them lengthwise on the floor behind the range to support the range when it is laid on its back. Using 2 or more people, firmly grasp the range and gently lay it on its back on the cardboard corners.

4. Pull cardboard bottom firmly to remove.
5. Use a wrench or pliers to loosen the leveling legs. Adjust the leveling legs to the correct height. Leveling legs can be loosened to add up to a maximum of 1" (2.5 cm). A maximum of 3/16" (5.0 mm) is needed to engage the anti-tip bracket.

NOTE: If height adjustment is made when range is standing, tilt the range back to adjust the front legs, then tilt forward to adjust the rear legs.

6. Place cardboard or hardboard in front of range. Using 2 or more people, stand range back up onto cardboard or hardboard.



A. Cardboard shipping base

Install Anti-Tip Bracket

⚠️ WARNING



Tip Over Hazard

A child or adult can tip the range and be killed.

Connect anti-tip bracket to rear range foot.

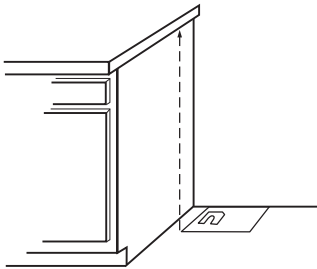
Reconnect the anti-tip bracket, if the range is moved.

Failure to follow these instructions can result in death or serious burns to children and adults.

Contact a qualified floor covering installer for the best procedure for drilling mounting holes through your type of floor covering.

Before moving range, slide range onto shipping base, cardboard or hardboard.

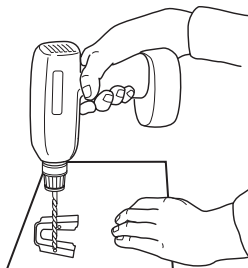
1. Remove template from the anti-tip bracket kit (found inside the oven cavity).
2. Place template on the floor in cabinet opening so that left edge is against cabinet and top edge is against rear wall, molding or cabinet.
3. Tape template into place.
4. If countertop is not flush with cabinet opening edge, align template with overhang.



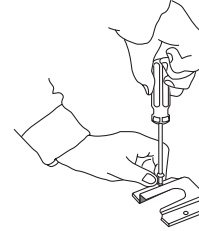
If cabinet opening is wider than that specified in the "Location Requirements" section, adjust template so range will be centered in cabinet opening.

5. To mount anti-tip bracket to wood floor, drill two $\frac{1}{8}$ " (3.2 mm) holes at the positions marked on the bracket template. Remove template from floor.

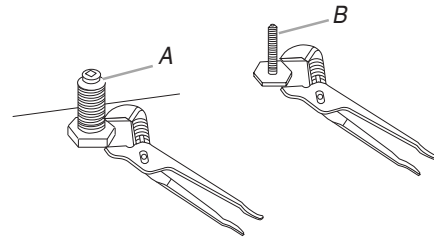
To mount the anti-tip bracket to a concrete or ceramic floor, use a $\frac{3}{16}$ " (4.8 mm) masonry drill bit to drill 2 holes at the positions marked on the bracket template. Remove the template from the floor.



6. Tap plastic anchors into holes with a hammer.
7. Align the anti-tip bracket holes with the holes in the floor. Fasten the anti-tip bracket with the screws provided. Depending on the thickness of your flooring, longer screws may be necessary to anchor the bracket to the subfloor. Longer screws are available from your local hardware store.

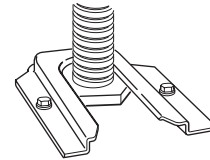


8. Move the range close to the opening to allow for electrical connections to be made. Remove the shipping base, cardboard or hardboard from under the range.
9. Use a wrench or pliers to lower the front leveling legs one-half turn.



A. Rear leveling leg
B. Front leveling leg

10. Adjust the leveling legs to the correct height. Leveling legs can be loosened to add up to a maximum of 1" (2.5 cm). A minimum of $\frac{3}{16}$ " (5.0 mm) is needed to engage the anti-tip bracket.
11. Move the range into final location making sure the rear leveling leg slides into the anti-tip bracket.



12. If installing the range in a mobile home, you must secure the range to the floor. The method of securing the range must conform to the Manufactured Home Construction and Safety Standard, Title 24 CFR, Part 3280 (formerly the Federal Standard for Mobile Home Construction and Safety, Title 24, HUD Part 280). When such standard is not applicable, use the Standard for Manufactured Home Installations, ANSI A225.1/NFPA 501 A or with local codes.
13. Continue installing your range using the following installation instructions.

Electrical Connection

Power Supply Cord

⚠ WARNING



Electrical Shock Hazard

Disconnect power before servicing.
Use a new 40 amp power supply cord.
Plug into a grounded outlet.
Failure to follow these instructions can result in death, fire, or electrical shock.

Direct Wire

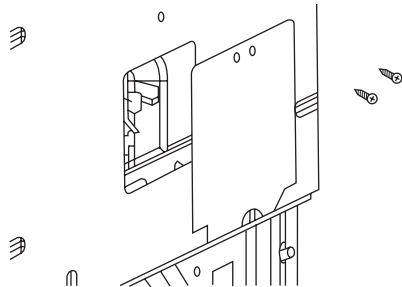
⚠ WARNING



Electrical Shock Hazard

Disconnect power before servicing.
Use 8 gauge copper or 6 gauge aluminum wire.
Electrically ground range.
Failure to follow these instructions can result in death, fire, or electrical shock.

1. Disconnect power
2. Remove the terminal block cover screws located on the back of the range. Pull cover down and toward you to remove cover.

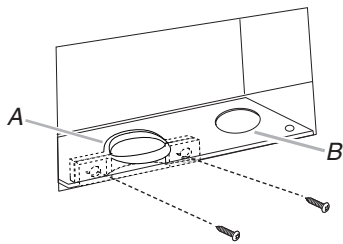


A. Hold-down screws
 B. Terminal block cover

3. Add strain relief.

Style 1: Power supply cord strain relief

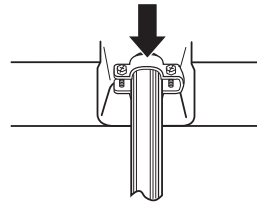
- Assemble a UL listed strain relief in the opening.



A. UL listed strain relief - large opening
 B. Small opening

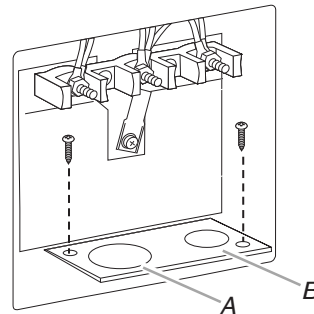
- Feed the power supply cord through the strain relief on the cord/conduit plate on bottom of range. Allow enough slack to easily attach the wiring to the terminal block.

- Tighten strain relief screw against the power supply cord.



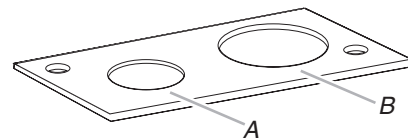
Style 2: Direct wire strain relief

- Use Phillips screwdriver to remove screws and rotate/ conduit plate 180°.



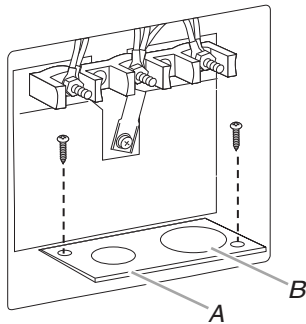
A. Large opening
 B. Small opening

- Position cord/conduit plate as shown in the following illustration.



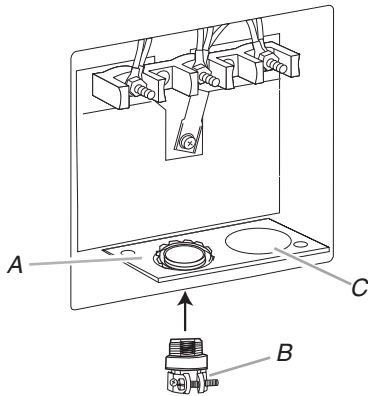
A. Small opening
 B. Large opening

- Replace cord/conduit plate and insert screws.



A. Small opening
B. Large opening

- Assemble a UL listed conduit connector in the opening.




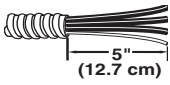

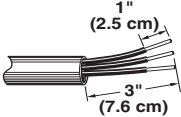
A. Removable retaining nut - small opening
B. Conduit connector
C. Large opening

- Feed the flexible conduit through the strain relief, allowing enough slack to easily attach wiring to the terminal block.
- Tighten strain relief screw against the flexible conduit.



4. Replace back panel and screws on rear of range.
5. Complete installation following instructions for your type of electrical connection:
4-wire (recommended)
3-wire (if 4-wire is not available)

Electrical Connection Options

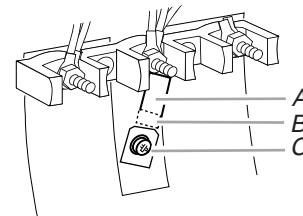
If your home has:	And you will be connecting to:	Go to Section:
4-wire receptacle (NEMA type 14-50R) 	A UL listed, 250-volt minimum, 40-amp, range power supply cord	4-wire connection: Power supply cord
4-wire direct 	A circuit breaker box or fused disconnect	4-wire connection: Direct wire
3-wire receptacle (NEMA type 10-50R) 	A UL listed, 250-volt minimum, 40-amp, range power supply cord	3-wire connection: Power supply cord
3-wire direct 	A circuit breaker box or fused disconnect	3-wire connection: Direct wire

4-wire connection: Power Supply Cord

Use this method for:

- New branch-circuit installations (1996 NEC)
- Mobile homes
- Recreational vehicles
- In an area where local codes prohibit grounding through the neutral

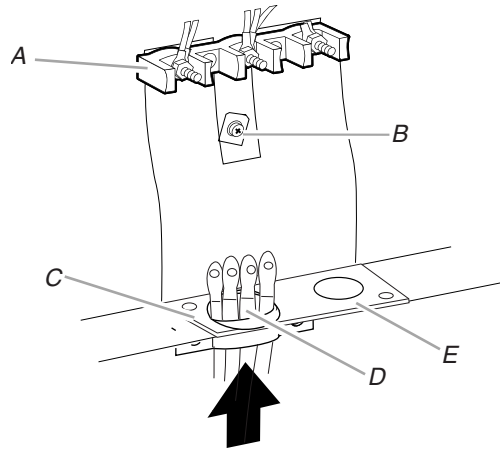
1. Part of metal ground strap must be cut out and removed.



A. Metal ground strap
B. Discard
C. Ground-link screw

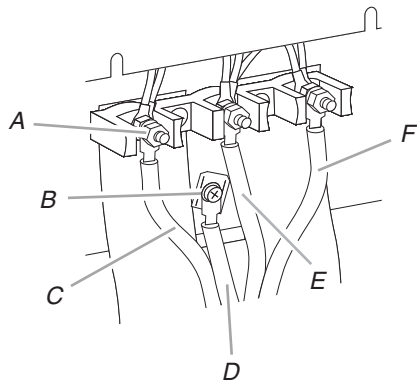
2. Use Phillips screwdriver to remove the ground-link screw from the back of the range. Save the ground-link screw and the end of the ground-link under the screw.

3. Feed the power supply cord through the strain relief on the cord/conduit plate on bottom of range. Allow enough slack to easily attach the wiring to the terminal block.



A. Terminal block
 B. Ground-link screw
 C. Cord/conduit plate
 D. Power supply cord wires - large opening
 E. Small opening

4. Use Phillips screwdriver to connect the green ground wire from the power supply cord to the range with the ground-link screw. The ground wire must be attached first.
5. Use $\frac{3}{8}$ " nut driver to connect the neutral (white) wire to the center terminal block post with one of the 10-32 hex nuts.



A. 10-32 hex nut
 B. Ground-link screw
 C. Line 1 (black)
 D. Green ground wire
 E. Neutral (center) wire
 F. Line 2 (red)

6. Connect line 1 (black) and line 2 (red) wires to the outer terminal block posts with 10-32 hex nuts.
7. Securely tighten hex nuts.

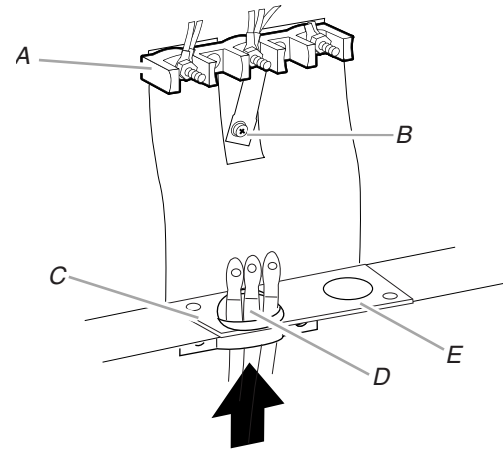
NOTE: For power supply cord replacement, only use a power cord rated at 250 volts minimum, 40 amps or 50 amps that is marked for use with nominal $1\frac{1}{8}$ " (3.5 cm) diameter connection opening, with ring terminals and marked for use with ranges.

8. Replace terminal block access cover.

3-wire connection: Power Supply Cord

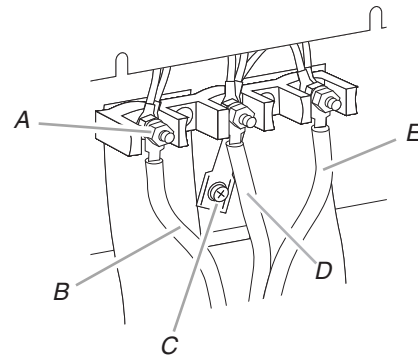
Use this method only if local codes permit connecting chassis ground conductor to neutral wire of power supply cord.

1. Feed the power supply cord through the strain relief on the cord/conduit plate on bottom of range. Allow enough slack to easily attach the wiring to the terminal block.



A. Terminal block
 B. Ground-link screw
 C. Cord/conduit plate
 D. Power supply cord wires - large opening
 E. Small opening

2. Use $\frac{3}{8}$ " nut driver to connect the neutral (white) wire to the center terminal block post with one of the 10-32 hex nuts.



A. 10-32 hex nut
 B. Line 1 (black)
 C. Ground-link screw
 D. Neutral (white) wire
 E. Line 2 (red)

3. Connect line 1 (black) and line 2 (red) wires to the outer terminal block posts with 10-32 hex nuts.
4. Securely tighten hex nuts.

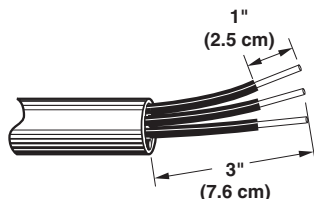
NOTE: For power supply cord replacement, only use a power cord rated at 250 volts minimum, 40 amps or 50 amps that is marked for use with nominal $1\frac{1}{8}$ " (3.5 cm) diameter connection opening, with ring terminals and marked for use with ranges.

5. Replace terminal block access cover.

Direct Wire Installation: Copper or Aluminum Wire

This range may be connected directly to the circuit breaker box or fused disconnect. Depending on your electrical supply, make the required 3-wire or 4-wire connection.

1. Strip outer covering back 3" (7.6 cm) to expose wires. Strip the insulation back 1" (2.5 cm) from the end of each wire.



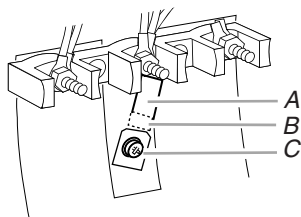
2. Allow enough slack in the wire to easily attach the wiring terminal block.
3. Complete electrical connection according to your type of electrical supply (4-wire or 3-wire connection).

4-wire Connection: Direct Wire

Use this method for:

- New branch-circuit installations (1996 NEC)
- Mobile homes
- Recreational vehicles
- In an area where local codes prohibit grounding through the neutral

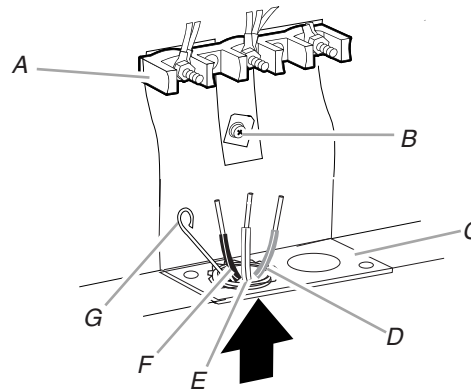
1. Part of metal ground strap must be cut out and removed.



A. Metal ground strap
B. Discard
C. Ground-link screw

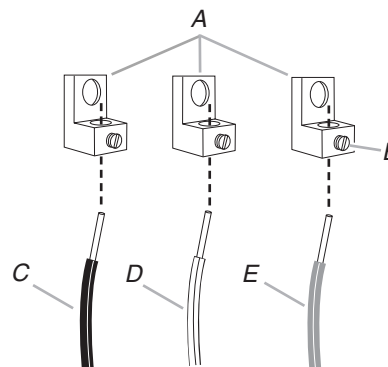
2. Use Phillips screwdriver to remove the ground-link screw from the back of the range. Save the ground-link screw and the end of the ground-link under the screw.

3. Pull the conduit through the strain relief on cord/conduit plate on bottom of range. Allow enough slack to easily attach wiring to the terminal block.



A. Terminal block
B. Ground-link screw
C. Cord/conduit plate
D. Line 2 (red) wire
E. Neutral (white) wire
F. Line 1 (black) wire
G. Bare (green) ground wire

4. Attach terminal lugs to line 1 (black), neutral (white), and line 2 (red) wires. Loosen (do not remove) the set screw on the front of the terminal lug and insert exposed wire end through bottom of terminal lugs. Securely tighten set screw to torque as shown in the following Bare Wire Torque Specifications chart.



A. Terminal lug
B. Set screw
C. Line 1 (black) wire
D. Neutral (white) wire
E. Line 2 (red) wire

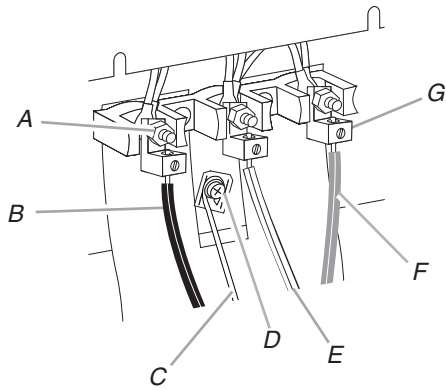
Bare Wire Torque Specifications

Attaching terminal lugs to the terminal block - 20 lbs-in. (2.3 N-m)

Wire Awg	Torque
8 gauge copper	25 lbs-in. (2.8 N-m)
6 gauge aluminum	35 lbs-in. (4.0 N-m)

5. Use Phillips screwdriver to connect the bare (green) ground wire to the range with the ground-link screw. The ground wire must be attached first and must not contact any other terminal.

- Use $\frac{3}{8}$ " nut driver to connect the neutral (white) wire to the center terminal block post with one of the 10-32 hex nuts.



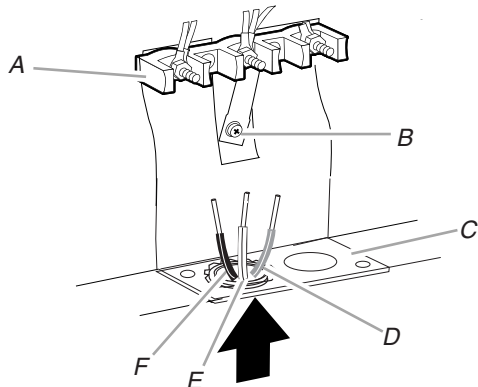
- A. 10-32 hex nut
- B. Line 1 (black)
- C. Bare (green) ground wire
- D. Ground-link screw
- E. Neutral (white) wire
- F. Line 2 (red)
- G. Terminal lug

- Connect line 1 (black) and line 2 (red) wires to the outer terminal block posts with 10-32 hex nuts.
- Securely tighten hex nuts.
- Replace terminal block access cover.

3-wire connection: Direct Wire

Use this method only if local codes permit connecting ground conductor to neutral supply wire.

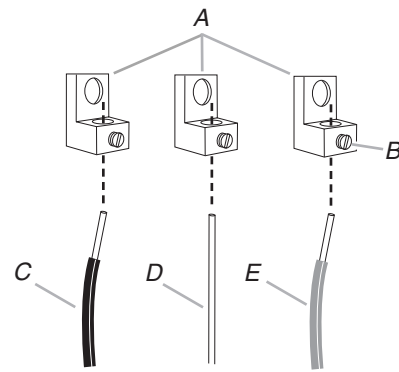
- Pull the conduit through the strain relief on cord/conduit plate on bottom of range. Allow enough slack to easily attach the wiring to the terminal block.



- A. Terminal block
- B. Ground-link screw
- C. Cord/conduit plate
- D. Line 2 (red) wire
- E. Bare (green) ground wire
- F. Line 1 (black) wire

- Attach terminal lugs to line 1 (black), bare (green) ground, and line 2 (red) wires. Loosen (do not remove) the set screw on the front of the terminal lug and insert exposed wire end through bottom of terminal lugs. Securely tighten set screw to torque

as shown in the following Bare Wire Torque Specifications chart.



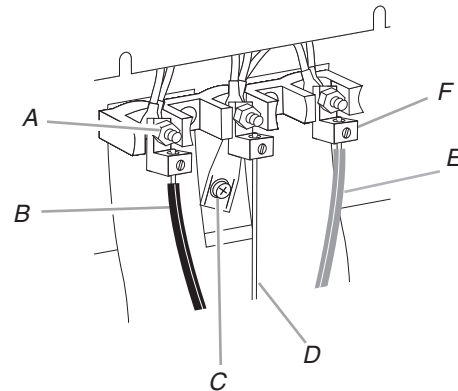
- A. Terminal lug
- B. Set screw
- C. Line 1 (black) wire
- D. Bare (green) ground wire
- E. Line 2 (red) wire

Bare Wire Torque Specifications

Attaching terminal lugs to the terminal block - 20 lbs-in. (2.3 N-m)

Wire Awg	Torque
8 gauge copper	25 lbs-in. (2.8 N-m)
6 gauge aluminum	35 lbs-in. (4.0 N-m)

- Use $\frac{3}{8}$ " nut driver to connect the bare (green) ground wire to the center terminal block post with one of the 10-32 hex nuts.

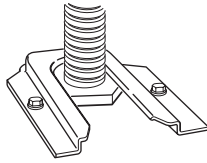


- A. 10-32 hex nut
- B. Line 1 (black)
- C. Ground-link screw
- D. Bare (green) ground wire
- E. Line 2 (red)
- F. Terminal lug

- Connect line 1 (black) and line 2 (red) wires to the outer terminal block posts with 10-32 hex nuts.
- Securely tighten hex nuts.
- Replace terminal block access cover.

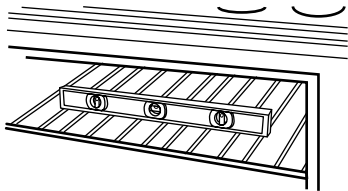
Verify Anti-Tip Bracket Location

1. Make sure the anti-tip bracket is installed:
 - Look for the anti-tip bracket securely attached to the floor.
 - Slide the range back so the rear range foot is under the anti-tip bracket.



Level Range

1. Place rack in oven.
2. Place level on rack and check levelness of range, first side to side; then front to back.
3. If range is not level, pull range forward until rear leveling leg is removed from the anti-tip bracket.



4. Use $\frac{3}{8}$ " drive ratchet and slip-joint pliers to adjust leveling legs up or down until range is level.
 5. Push range back into position.
 6. Check that rear leveling leg is engaged in anti-tip bracket.
- NOTE:** Range must be level for satisfactory baking performance.

Complete Installation

1. Check that all parts are now installed. If there is an extra part, go back through the steps to see which step was skipped.
2. Check that you have all of your tools.
3. Dispose of/recycle all packaging materials.
4. Check that the range is level. See "Level Range."
5. Use a mild solution of liquid household cleaner and warm water to remove waxy residue caused by shipping material. Dry thoroughly with a soft cloth.
6. For range use and cleaning, read the range Use and Care Guide.
7. Turn on surface burners and oven.

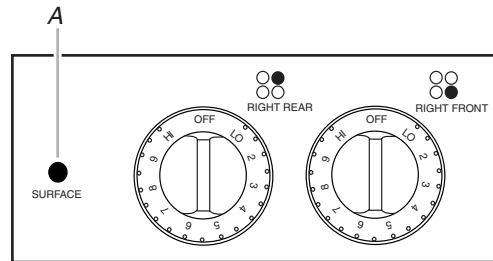
If range does not operate, check the following:

- Household fuse is intact and tight; or circuit breaker has not tripped.
- Electrical supply is connected.
- See "Troubleshooting" in the Use and Care Guide.

Check Operation

Check the operation of the cooktop elements:

1. Push in and turn each surface element control knob to "HI" position. Check the operation of the cooktop elements and indicator lights.

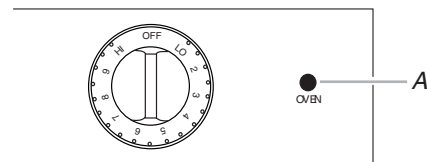


A. Surface indicator light

2. Turn the control knob to the "OFF" position.

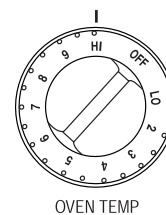
Check operation of the oven elements:

1. Set the oven temperature control to 350°F. The bottom element should glow red and the "OVEN ON" indicator light should be on. The upper element should become hot but not glow red. The "OVEN ON" indicator light goes off when the oven is preheated.



A. Oven indicator light

2. Set the oven temperature control to "BROIL." The upper element should glow red and the "OVEN ON" indicator light should be on.



3. Turn the control knob to the "OFF" position.

SEGURIDAD DE LA ESTUFA

Su seguridad y la seguridad de los demás es muy importante.

Hemos incluido muchos mensajes importantes de seguridad en este manual y en su electrodoméstico. Lea y obedezca siempre todos los mensajes de seguridad.



Este es el símbolo de advertencia de seguridad.

Este símbolo le llama la atención sobre peligros potenciales que pueden ocasionar la muerte o una lesión a usted y a los demás.

Todos los mensajes de seguridad irán a continuación del símbolo de advertencia de seguridad y de la palabra "PELIGRO" o "ADVERTENCIA". Estas palabras significan:

⚠ PELIGRO

Si no sigue las instrucciones de inmediato, usted puede morir o sufrir una lesión grave.

⚠ ADVERTENCIA

Si no sigue las instrucciones, usted puede morir o sufrir una lesión grave.

Todos los mensajes de seguridad le dirán el peligro potencial, le dirán cómo reducir las posibilidades de sufrir una lesión y lo que puede suceder si no se siguen las instrucciones.

⚠ ADVERTENCIA



Peligro de Vuelco

Un niño o un adulto puede volcar accidentalmente la estufa y resultar muerto.

Conecte el soporte anti-vuelco a la pata trasera de la estufa.

Si traslada de lugar la estufa, vuelva a conectar el soporte anti-vuelco.

No seguir estas instrucciones puede ocasionar la muerte o quemaduras graves en niños y adultos.

REQUISITOS DE INSTALACIÓN

Piezas y herramientas

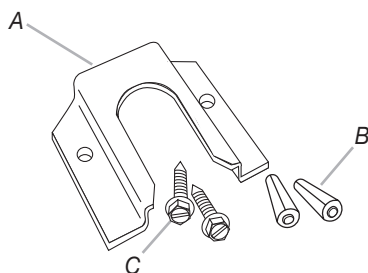
Reúna las herramientas y piezas necesarias antes de comenzar la instalación. Lea y siga las instrucciones provistas con cualquiera de las herramientas enlistadas aquí.

Herramientas necesarias

- Cinta para medir
- Destornillador de hoja plana
- Destornillador Phillips
- Nivel
- Martillo
- Taladro manual o eléctrico
- Llave de tuercas o pinzas
- Marcador o lápiz
- Cinta adhesiva protectora
- Pelacables
- Llave para tuercas de $\frac{3}{8}$ "
- Broca de $\frac{1}{8}$ " (3,2 mm) (para pisos de madera)
- Broca para albañilería con punta de carburo de $\frac{3}{16}$ " (4,8 mm) (para pisos de hormigón/cerámica)

Piezas suministradas

Verifique que estén todas las piezas.



A. Soporte anti-vuelco
B. Sujetadores de plástico (2)
C. Tornillos #10 x 1 1/2" (2)

El soporte anti-vuelco debe estar montado en el contrapiso firmemente. Según el espesor del piso, es posible que sea necesario utilizar tornillos más largos para sujetar el soporte al contrapiso. Puede conseguir tornillos más largos en su ferretería local.

Piezas necesarias

Si emplea un cable de suministro eléctrico:

- Un cable de suministro de energía que esté en la lista de UL, para ser usado con estufas. El cable deberá tener una clasificación de 250 voltios como mínimo, 40 ó 50 amperios, marcado para ser usado con una abertura de conexión nominal con un diámetro de $1\frac{3}{8}$ " (3,5 cm), y deberá terminar en terminales de anillo o terminales de horquilla abiertas, con los extremos hacia arriba.
- Un protector de cables que esté en la lista de UL.

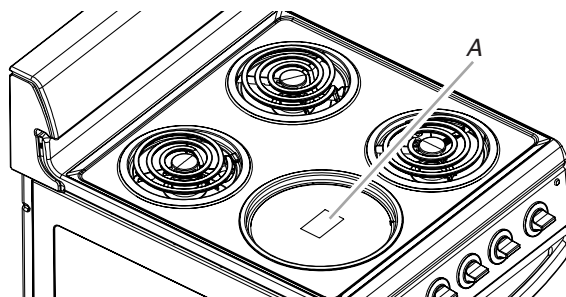
Verifique los códigos locales. Verifique el suministro eléctrico existente. Vea la sección "Requisitos eléctricos".

Es recomendable que todas las conexiones eléctricas sean hechas por un instalador eléctrico competente autorizado.

Requisitos de ubicación

IMPORTANTE: Observe todos los códigos y reglamentos aplicables.

- Es la responsabilidad del instalador cumplir con los espacios de instalación especificados en la placa con la clasificación de modelo/serie. La placa indicadora de modelo/serie está ubicada debajo del tazón del quemador delantero izquierdo.



A. Placa de clasificación de modelo/serie

- Deberá colocarse la estufa en un lugar conveniente de la cocina para su uso.
- Las instalaciones empotradas deberán proveer un recinto cerrado de los lados y la parte posterior de la estufa.
- Para eliminar el riesgo de quemaduras o incendio al tocar unidades con la superficie demasiado caliente, deberá evitarse el uso de armarios de almacenaje encima de las unidades. Si van a proveerse armarios, puede reducir el riesgo instalando una capota de ventilación que se proyecte horizontalmente un mínimo de 5" (12,7 cm) sobresaliendo de la base de los armarios.
- Deben usarse las dimensiones de la abertura del armario que se muestran. Las dimensiones proporcionadas son los espacios mínimos.
- Debe instalarse el soporte anti-vuelco del piso. Para instalar el soporte anti-vuelco enviado con la estufa, vea la sección "Instalación del soporte anti-vuelco".
- Se requiere un suministro eléctrico conectado a tierra. Vea la sección "Requisitos eléctricos".
- Póngase en contacto con un instalador calificado de revestimiento de pisos para cerciorarse de que el revestimiento del piso puede soportar por lo menos 200°F (93°C).
- Use una almohadilla aislante o una madera laminada de $\frac{1}{4}$ " (0,64 cm) debajo de la estufa si va a instalar la estufa sobre una alfombra.

IMPORTANTE: Para evitar daños a sus armarios, verifique con el constructor o distribuidor de armarios para asegurarse de que los materiales que se usen no se descoloren, astillen ni sufran ningún otro tipo de daño. Este horno ha sido diseñado de acuerdo a los requisitos de UL y CSA International, y cumple con las temperaturas máximas permitidas para armarios de madera de 90°C (194°F).

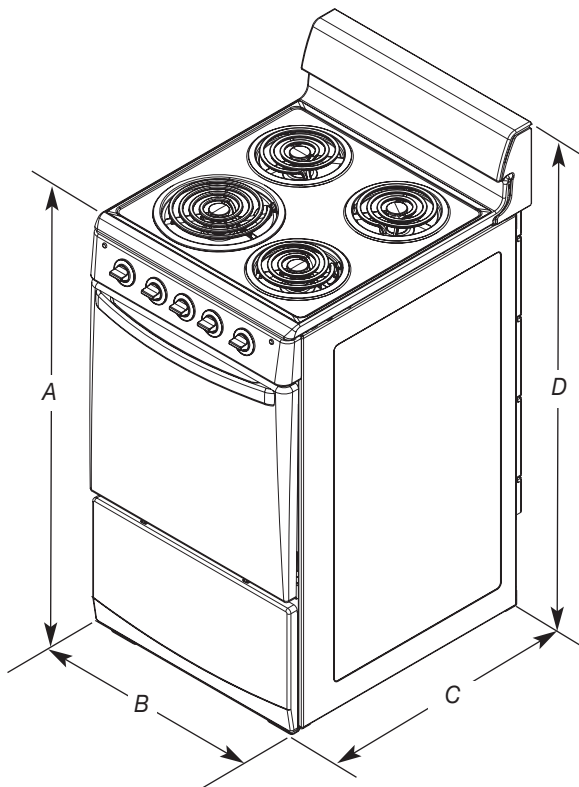
Requisitos de instalación adicionales para las casas rodantes

La instalación de esta estufa debe ajustarse al Estándar de seguridad y construcción de casas fabricadas, Título 24 CFR, Parte 3280 (anteriormente conocido como Estándar federal para la seguridad y construcción de casas rodantes, Título 24, HUD Parte 280). Cuando no sea aplicable ese estándar, use el Estándar para instalaciones en casas fabricadas, ANSI A225.1/ NFPA 501A u obedezca los códigos locales.

Las instalaciones en casas rodantes necesitan:

- Cuando se instale la estufa en una casa rodante, deberá asegurarse al piso durante el transporte. Cualquier método de fijación es adecuado en tanto cumpla con las normas indicadas arriba.
- Para una instalación en casa rodante, deberá usarse un cable de suministro de energía de cuatro hilos. Deberá revisarse el cableado del aparato. Vea la sección "Conexión eléctrica".

Medidas del producto



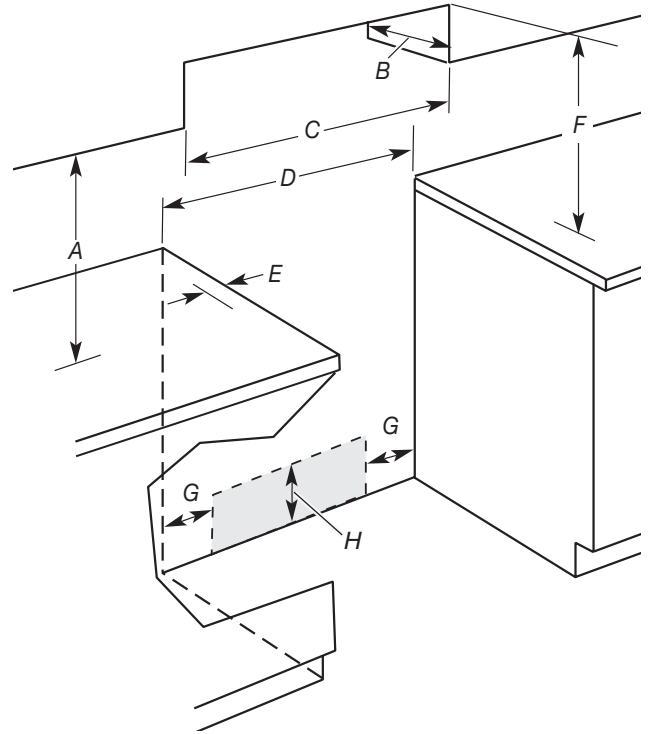
- A. 36" (91,4 cm)
- B. 19½" (49,5 cm)
- C. 24½" (62,2 cm)
- D. 42" (106,7 cm)

Dimensiones del armario

Las dimensiones de la abertura del armario que se muestra son para una profundidad de mostrador de 25" (64,0 cm), profundidad del armario de la base de 24" (61 cm) y altura del mostrador de 36" (91,4 cm).

Si la profundidad del armario es mayor de 24" (61,0 cm), deberá extenderse el marco del horno más allá de los frentes del armario por un mínimo de ½" (13,0 mm).

IMPORTANTE: Si va a instalar una campana para estufa o una combinación microondas campana sobre la estufa, siga las instrucciones de instalación incluidas con la campana para estufa o la combinación microondas campana para las medidas de espacio sobre la superficie de cocción.



- A. 18" (45,7 cm) de espacio mínimo del lado superior del armario al mostrador
- B. 13" (33,0 cm) máximo de profundidad del armario superior
- C. Ancho mínimo de la abertura del armario 20" (50,8 cm)
- D. Ancho de la abertura 20 ⅛" (51,1 cm)
- E. Espacio mínimo del mostrador a la pared lateral u otro material combustible 5" (12,7 cm)
- F. Para ver el espacio mínimo hasta la parte superior de la superficie de cocción, vea la NOTA.
- G. Contacto de pared - 8" (20,3 cm) desde cualquier armario
- H. 5½" (14,0 cm) máx. desde el piso. Coloque el contacto de 120/240 voltios en el área sombreada.

NOTA: 24" (61,0 cm) mínimo cuando la base del armario de madera o de metal esté protegida por cartón retardante a las llamas de no menos de ¼" (0,64 cm), cubierto de lámina de acero de no menos de acero inoxidable N° 28 MSG de 0,015" (0,4 mm), aluminio de 0,024" (0,6 mm) o cobre de 0,020" (0,5 mm).

30" (76,2 cm) de espacio mínimo entre la parte superior de la plataforma de la superficie de cocción y la base de un armario de madera o metal desprotegido.

Requisitos eléctricos

Si los códigos lo permiten y se emplea un alambre de conexión a tierra separado, es recomendable que un instalador eléctrico competente determine si la trayectoria de conexión a tierra es la correcta y el calibre del cable está de acuerdo con los códigos locales.

No use un cable eléctrico de extensión.

Asegúrese de que la conexión eléctrica y el tamaño del hilo sean adecuados y de conformidad con el Código Nacional Eléctrico, ANSI/NFPA 70 - última edición y con todos los códigos y ordenanzas locales.

Usted puede obtener una copia de todas las normas arriba indicadas en:

National Fire Protection Association
One Batterymarch Park
Quincy, MA 02269

ADVERTENCIA: La conexión inadecuada del conductor a tierra para el equipo puede resultar en un riesgo de choque eléctrico. Si no está seguro de que la conexión a tierra del aparato sea la adecuada, verifíquela con un electricista o técnico de servicio competente. No modifique el enchufe del cable de suministro de energía. Si no encaja en el contacto, consulte con un electricista competente para instalar un contacto adecuado.

Conexión eléctrica

Para instalar la estufa adecuadamente, usted debe determinar el tipo de conexión eléctrica que va a usar y seguir las instrucciones que aquí se proveen para el caso.

- La estufa debe estar conectada al voltaje eléctrico y frecuencia apropiados, según se especifica en la placa de clasificación del modelo/serie. La placa indicadora del número de modelo/serie está ubicada debajo del tazón del quemador delantero izquierdo. Vea la ilustración en la sección "Requisitos de ubicación".
- Esta estufa fue fabricada con el terminal neutro conectado a la carcasa. Use un cable de suministro eléctrico de 3 hilos, aprobado por UL, de 40 ó 50 amperios (cable de cola de cochino flexible) (vea la tabla de voltaje de la estufa a continuación). Si los códigos locales no permiten hacer la conexión a tierra a través del terminal neutro, use un cable de suministro eléctrico de 4 hilos, de 250 voltios, 40 ó 50 amperios y que haya sido investigado para ser usado con estufas.

Voltaje de la estufa*		Voltaje especificado del juego de cable de suministro de energía y protección del circuito
120/240 voltios	120/208 voltios	Amperios
8,0 - 16,5 KW	6,0 - 12,5 KW	40 ó 50**
16,6 - 22,5 KW	12,6 - 18,5 KW	50

*La carga calculada de NEC (Código Nacional Eléctrico, por sus siglas en inglés) es menor que la carga conectada total que se indica en la placa de clasificación de modelo/serie.

**Si se conecta a un circuito de 50 amperios, use un cable con clasificación de 50 amperios con el juego. Para los juegos de cable que tengan una clasificación de 50 amperios, use los juegos en los cuales se especifique usar con una abertura de conexión nominal de 1 3/8" (34,93 mm).

- Se recomienda usar un cortacircuitos.
- Se puede conectar la estufa directamente a una caja de cortacircuitos (o un desconectador con fusible) a través de un cable flexible o con forro no metálico, de cobre o aluminio. Vea "Conexión eléctrica".
- Deje de 2 a 3 pies (61,0 cm a 91,4 cm) extra en la línea para que se pueda mover la estufa en el caso que alguna vez sea necesario darle servicio.
- Debe proveerse un conector de conducto aprobado por UL a cada extremo del cable de suministro de energía (en la estufa y en la caja de empalmes).
- El tamaño de los hilos y las conexiones deben cumplir con la clasificación de la estufa (de 40 amperios).
- El diagrama de cableado está ubicado en la parte posterior de la estufa o dentro del cajón de almacenamiento, en una bolsa de plástico transparente.

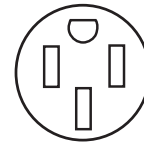
Si se va a conectar a un sistema de 4 hilos:

Esta estufa ha sido fabricada con la puesta a tierra conectada al neutro por medio de un enlace. La puesta a tierra debe revisarse para verificar que el hilo verde de puesta a tierra del cable de suministro eléctrico de 4 hilos esté conectado a la carcasa. Vea "Conexión eléctrica".

Está prohibido hacer la puesta a tierra a través del conductor neutro para las nuevas instalaciones de circuito derivado (1996 NEC); casas rodantes; y vehículos de recreación, o un área donde los códigos locales prohíben la conexión a tierra a través del terminal neutro.

Cuando se usa un contacto de 4 hilos de NEMA Tipo 14-50R, se debe usar un cable de suministro eléctrico igual listado por UL (cola de cochino flexible) para estufa de 4 hilos, 250 voltios y 40 amperios. Este cable contiene 4 conductores de cobre con terminales de anillo o de horquilla con extremos abiertos y hacia arriba, el cual termina en un enchufe NEMA Tipo 14-50P en el extremo de suministro de energía.

El cuarto conductor (de puesta a tierra) debe estar identificado con una cubierta verde o verde/amarilla y el conductor neutral debe estar identificado con una cubierta blanca. El cable debe ser Tipo SRD o SRDT con un protector de cables incluido en la lista de UL y de un largo mínimo de 4 pies (1,22 metros).



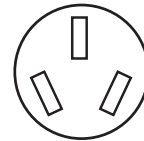
Contacto de 4 hilos (14-50R)

Los tamaños mínimos para el conductor de suministro de cobre de 4 hilos son:

- circuito de 40 amperios
- 2 conductores N° 8
- 1 hilo blanco neutro N° 10
- 1 hilo verde a tierra N° 8

Si se va a conectar a un sistema de 3 hilos:

Es posible que los códigos locales permitan el uso de un cable de suministro de energía para estufa (cola de cochino flexible) que esté en la lista de UL, de 3 hilos, 250 voltios, 40 amperios. Este cable contiene 3 conductores de cobre con terminales de anillo o de horquilla con extremos abiertos y hacia arriba, el cual termina en un enchufe NEMA Tipo 10-50P en el extremo de suministro de energía. Los conectores del extremo del aparato deben estar en el punto en que el cable de suministro de energía entre en el aparato. Para ello se usa un contacto de 3 hilos de Tipo NEMA 10-50R.



Contacto de 3 hilos (10-50R)

INSTRUCCIONES DE INSTALACIÓN

Desempaque la estufa

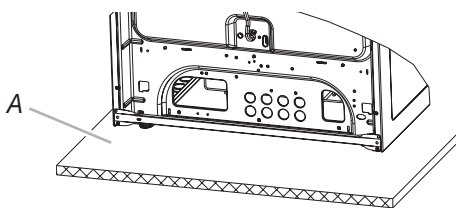
⚠ ADVERTENCIA

Peligro de peso excesivo

Use dos o más personas para mover e instalar la estufa.

No seguir esta instrucción puede ocasionar una lesión en la espalda u otro tipo de lesiones.

1. No use la agarradera de la puerta del horno para levantar o mover la estufa.
2. Quite los materiales de envío, la cinta adhesiva y la película de la estufa. Mantenga la base de cartón debajo de la estufa. Saque las parrillas del horno y el paquete de piezas del interior del horno.
3. Saque los 4 esquinales de cartón de la caja. Apile un esqual de cartón sobre el otro. Repita con los otros 2 esquinales. Colóquelos a lo largo, sobre el piso, detrás de la estufa para protegerla cuando se coloque sobre su parte posterior. Con la ayuda de 2 o más personas, agarre la estufa con firmeza y colóquela suavemente sobre su parte posterior, en los esquinales de cartón.
4. Jale la base de cartón con firmeza para quitarla.
5. Use una llave de tuercas o unas pinzas para aflojar las patas niveladoras. Ajuste las patas niveladoras para corregir la altura. Las patas niveladoras pueden aflojarse para agregar un máximo de 1" (2,5 cm). Se necesita un máximo de $\frac{3}{16}$ " (5,0 mm) para encajar el soporte anti-vuelco.
NOTA: Si se ajusta la altura cuando la estufa está de pie, inclínela hacia atrás para ajustar las patas delanteras y luego inclínela hacia delante para ajustar las patas traseras.
6. Coloque el cartón o madera frente a la estufa. Con la ayuda de 2 o más personas, coloque la estufa de pie nuevamente sobre el cartón o madera.



A. Base de transporte de cartón

Instalación del soporte anti-vuelco

⚠ ADVERTENCIA



Peligro de Vuelco

Un niño o un adulto puede volcar accidentalmente la estufa y resultar muerto.

Conecte el soporte anti-vuelco a la pata trasera de la estufa.

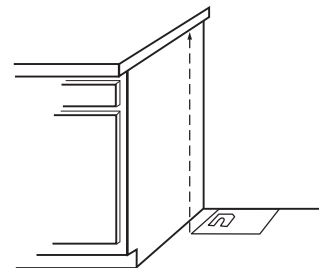
Si traslada de lugar la estufa, vuelva a conectar el soporte anti-vuelco.

No seguir estas instrucciones puede ocasionar la muerte o quemaduras graves en niños y adultos.

Póngase en contacto con un instalador competente de revestimiento de pisos para ver cuál es el mejor procedimiento para perforar orificios de montaje a través del tipo de revestimiento de pisos que usted tenga.

Antes de mover la estufa, deslícela sobre la base de transporte, cartón o madera.

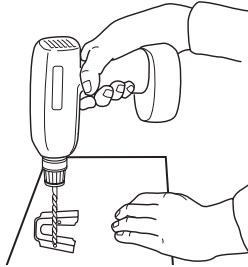
1. Saque la plantilla del juego del soporte anti-vuelco (que se encuentra dentro de la cavidad del horno) o de la parte posterior de este manual.
2. Coloque la plantilla sobre el piso, en la abertura del armario, de manera que el extremo izquierdo esté contra el armario y el extremo superior esté contra la pared posterior, moldura o armario.
3. Pegue la plantilla con cinta adhesiva en el lugar.
4. Si el mostrador no está alineado con el extremo de la abertura del armario, alinee la plantilla con la saliente.



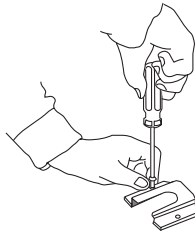
Si la abertura del armario es más ancha que lo especificado en la sección "Requisitos de ubicación", ajuste la plantilla de manera que la estufa esté centrada en la abertura del armario.

5. Para montar el soporte anti-vuelco al piso de madera, perforo dos orificios de $\frac{1}{8}$ " (3,2 mm) en las posiciones marcadas en la plantilla del soporte. Saque la plantilla del piso.

Para montar el soporte anti-vuelco a un piso de hormigón o de cerámica, use una broca de taladro de albañilería de $\frac{3}{16}$ " (4,8 mm) para taladrar 2 orificios en las posiciones marcadas sobre la plantilla del soporte. Saque la plantilla del piso.

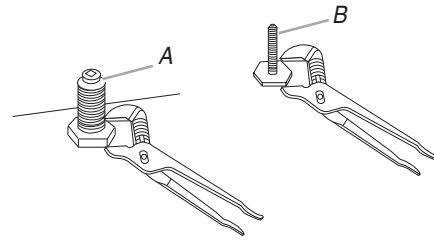


6. Martille los taquetes de plástico en los orificios.
7. Alinee los orificios del soporte anti-vuelco con los orificios en el piso. Sujete el soporte anti-vuelco con los tornillos provistos. Según el espesor del piso, es posible que necesite tornillos más largos para sujetar el soporte al contrapiso. Puede conseguir tornillos más largos en su ferretería local.



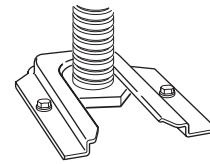
8. Mueva la estufa cerca de la abertura para permitir que se hagan las conexiones eléctricas. Quite la base de transporte, cartón o madera que se encuentra debajo de la estufa.

9. Use una llave de tuercas o unas pinzas para bajar las patas niveladoras delanteras media vuelta.



A. Pata niveladora trasera
B. Pata niveladora delantera

10. Ajuste las patas niveladoras para corregir la altura. Las patas niveladoras pueden aflojarse para agregar un máximo de 1" (2,5 cm). Se necesita un mínimo de $\frac{3}{16}$ " (5,0 mm) para encajar el soporte anti-vuelco.
11. Mueva la estufa a su ubicación final, asegurándose de que la pata niveladora trasera se deslice en el soporte anti-vuelco.



12. Si instala la estufa en una casa rodante, deberá fijar la estufa al piso. El método que se use para fijar esta estufa debe ajustarse al Estándar de seguridad y construcción de casas fabricadas, Título 24 CFR, Parte 3280 (anteriormente conocido como Estándar federal para la seguridad y construcción de casas rodantes, Título 24, HUD Parte 280). Cuando no sea aplicable ese estándar, use el Estándar para instalaciones en casas fabricadas, ANSI A225.1/NFPA 501 A u obedezca los códigos locales.
13. Continúe instalando la estufa siguiendo las instrucciones de instalación.

Conexión eléctrica

Cable de suministro de energía

⚠ ADVERTENCIA



Peligro de Choque Eléctrico

Desconecte el suministro de energía antes de darle mantenimiento.

Use un cable de suministro eléctrico nuevo de 40 amp.

Enchufe en un contacto con conexión a tierra.

No seguir estas instrucciones puede ocasionar la muerte, incendio o choque eléctrico.

Cable directo

⚠ ADVERTENCIA



Peligro de Choque Eléctrico

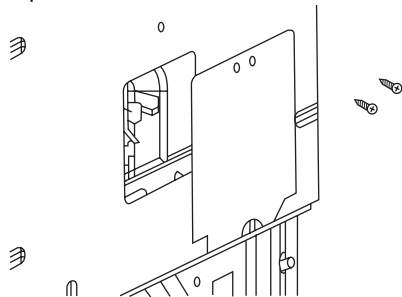
Desconecte el suministro de energía antes de darle servicio.

Use un alambre de cobre de calibre 8 o un alambre de aluminio de calibre 6.

Conecte la estufa a tierra.

No seguir estas instrucciones puede ocasionar la muerte, incendio o choque eléctrico.

1. Desconecte el suministro de energía.
2. Quite los tornillos de la tapa del bloque de terminal ubicados en la parte posterior de la estufa. Jale la tapa hacia abajo y hacia usted para sacarla.

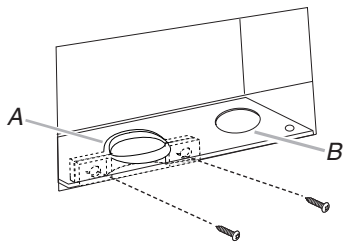


A. Tornillos de sujeción
B. Tapa del bloque de terminal

3. Agregue el protector de cables.

Estilo 1: Protector de cables del cable de suministro de energía

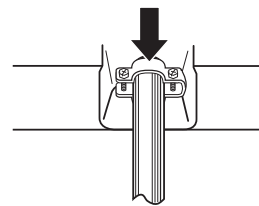
- Ensamble en la abertura un protector de cables que esté en la lista de UL.



A. Protector de cables que esté en la lista de UL - abertura grande
B. Abertura pequeña

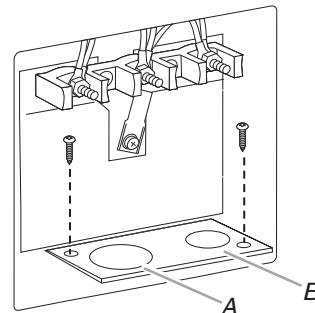
- Haga pasar el cable de suministro de energía a través del protector de cables en la placa del cable/conducto, en la base de la estufa. Deje el hilo lo suficientemente flojo para poder conectar el cableado al bloque de terminal.

- Apriete el tornillo del protector de cables contra el cable de suministro eléctrico.



Estilo 2: Protector de cables para cable directo

- Use un destornillador Phillips para quitar los tornillos y gire la placa del conducto 180°.



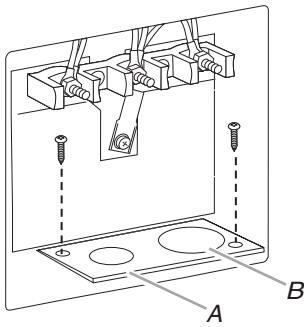
A. Abertura grande
B. Abertura pequeña

- Coloque la placa del cable/conducto, como se muestra en la ilustración siguiente.



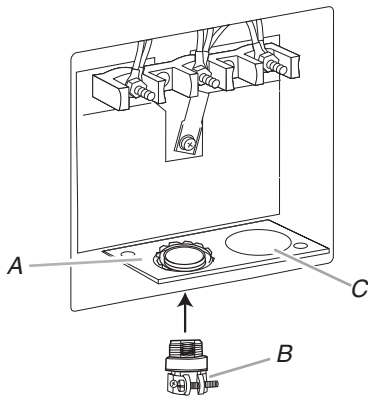
A. Abertura pequeña
B. Abertura grande

- Vuelva a colocar la placa del cable/conducto e inserte los tornillos.



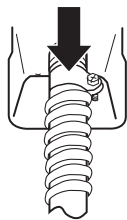
A. Abertura pequeña
B. Abertura grande

- Ensamble en la abertura un conector de conducto que esté en la lista de UL.




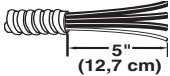

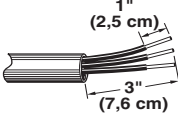
A. Tuerca de retención removible - abertura pequeña
B. Conector de conducto
C. Abertura grande

- Haga pasar el conducto flexible a través del protector de cables, dejando que quede lo suficientemente flojo para poder conectar el cableado al bloque de terminal.
- Apriete el tornillo del protector de cables contra el conducto flexible.



4. Vuelva a colocar el panel posterior y los tornillos en la parte posterior de la estufa.
5. Complete la instalación siguiendo las instrucciones que corresponden al tipo de conexión eléctrica que usted tiene:
4 hilos (recomendada)
3 hilos (si no existe conexión de 4 hilos)

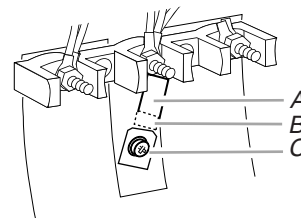
Opciones de conexión eléctrica

Si su casa tiene:	Y usted va a conectar con:	Vaya a la sección:
Un contacto de 4 hilos (Tipo NEMA 14-50R) 	Un cable de suministro de energía para estufa, aprobado de UL, de 250 voltios mínimo y 40 amperios	Conexión de 4 hilos: Cable de suministro de energía
Un cable directo de 4 hilos 	Un desconectador con fusible o una caja de cortacircuitos	Conexión de 4 hilos: Cable directo
Un contacto de 3 hilos (Tipo NEMA 10-50R) 	Un cable de suministro de energía para estufa, aprobado de UL, de 250 voltios mínimo y 40 amperios	Conexión de 3 hilos: Cable de suministro de energía
Un cable directo de 3 hilos 	Un desconectador con fusible o una caja de cortacircuitos	Conexión de 3 hilos: Cable directo

Conexión de 4 hilos: Cable de suministro de energía

Use este método para:

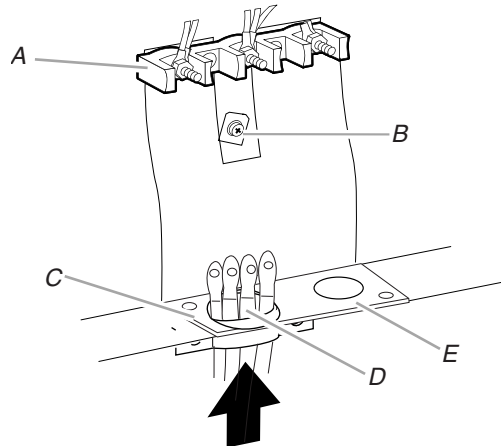
- Nuevas instalaciones de circuito derivado (1996 NEC)
 - Casas rodantes
 - Vehículos de recreación
 - En un área donde los códigos locales prohíben la conexión a tierra a través del terminal neutro
1. Parte del fleje de metal a tierra debe cortarse y quitarse.



A. Fleje de metal a tierra
B. Deseche
C. Tornillo de puesta a tierra

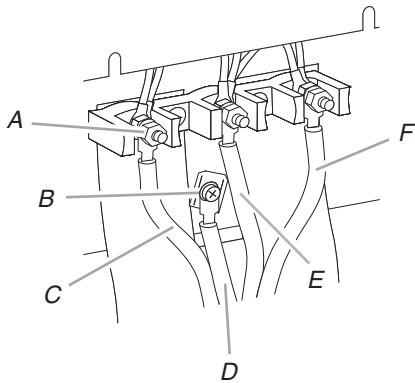
2. Use un destornillador Phillips para quitar el tornillo de puesta a tierra, ubicado en la parte posterior de la estufa. Guarde el tornillo de puesta a tierra y el extremo del hilo de conexión a tierra, ubicado debajo del tornillo.

- Haga pasar el cable de suministro de energía a través del protector de cables en la placa del cable/conducto, en la base de la estufa. Deje el hilo lo suficientemente flojo para poder conectar el cableado al bloque de terminal.



A. Bloque de terminal
 B. Tornillo de puesta a tierra
 C. Placa del cable/conducto
 D. Hilos del cable de suministro de energía -
 abertura grande
 E. Abertura pequeña

- Use un destornillador Phillips para conectar el hilo verde de puesta a tierra, del cable de suministro de energía, a la estufa, con el tornillo de puesta a tierra. Debe sujetarse primero el hilo de puesta a tierra.
- Use una llave para tuercas de $\frac{3}{8}$ " para conectar el hilo neutro (blanco) al poste central del bloque de terminal con una de las tuercas hexagonales de 10-32.



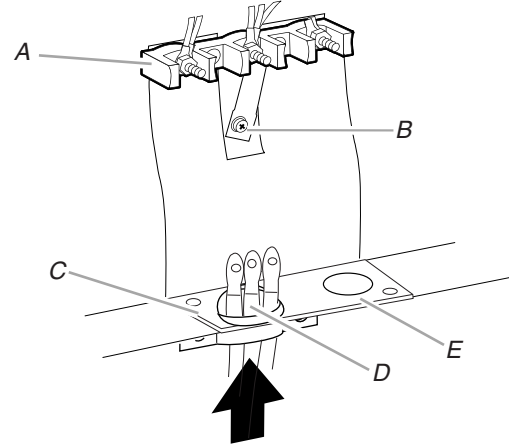
A. Tuerca hexagonal de 10-32 D. Alambre verde de conexión
 B. Tornillo de puesta a tierra a tierra
 C. Línea 1 (negra) E. Hilo neutro (central)
 F. Línea 2 (roja)

- Conecte los hilos de la línea 1 (negra) y de la línea 2 (roja) a los postes externos del bloque de terminal, con las tuercas hexagonales de 10-32.
 - Apriete firmemente las tuercas hexagonales.
- NOTA:** Para reemplazar el cable de suministro de energía, use solamente un cable de suministro con clasificación de 250 voltios como mínimo, 40 ó 50 amperios, que esté marcado para usarse con una abertura de conexión con un diámetro nominal de $1\frac{1}{8}$ " (3,5 cm) con terminales de anillo y marcado para ser usado con estufas.
- Vuelva a colocar la tapa de acceso del bloque de terminal.

Conexión de 3 hilos: Cable de suministro de energía

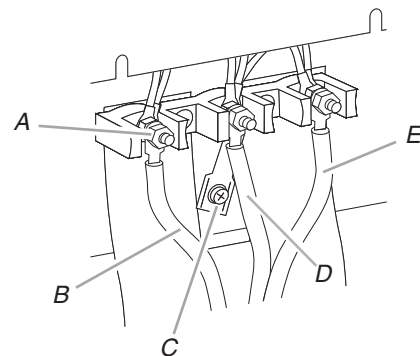
Use este método solamente si los códigos locales permiten conectar el conductor a tierra del chasis al hilo neutro del cable de suministro de energía.

- Haga pasar el cable de suministro de energía a través del protector de cables en la placa del cable/conducto, en la base de la estufa. Deje el hilo lo suficientemente flojo para poder conectar el cableado al bloque de terminal.



A. Bloque de terminal
 B. Tornillo de puesta a tierra
 C. Placa del cable/conducto
 D. Hilos del cable de suministro de energía -
 abertura grande
 E. Abertura pequeña

- Use una llave para tuercas de $\frac{3}{8}$ " para conectar el hilo neutro (blanco) al poste central del bloque de terminal con una de las tuercas hexagonales de 10-32.



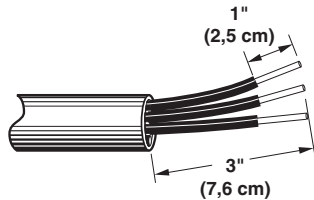
A. Tuerca hexagonal de 10-32 D. Hilo neutro (blanco)
 B. Línea 1 (negra) E. Línea 2 (roja)
 C. Tornillo de puesta a tierra

- Conecte los hilos de la línea 1 (negra) y de la línea 2 (roja) a los postes externos del bloque de terminal, con las tuercas hexagonales de 10-32.
 - Apriete firmemente las tuercas hexagonales.
- NOTA:** Para reemplazar el cable de suministro de energía, use solamente un cable de suministro con clasificación de 250 voltios como mínimo, 40 ó 50 amperios, que esté marcado para usarse con una abertura de conexión con un diámetro nominal de $1\frac{1}{8}$ " (3,5 cm) con terminales de anillo y marcado para ser usado con estufas.
- Vuelva a colocar la tapa de acceso del bloque de terminal.

Instalación de cable directo: Alambre de cobre o aluminio

Se puede conectar esta estufa directamente a un desconectador con fusible o una caja de cortacircuitos. Según el suministro de energía que tenga, realice una conexión de 3 ó 4 hilos.

1. Pele la cobertura exterior 3" (7,6 cm) para que los hilos queden a la vista. Pele el aislamiento 1" (2,5 cm) desde el extremo de cada hilo.



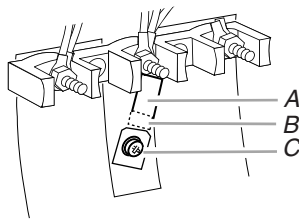
2. Deje el hilo lo suficientemente flojo para poder conectar el cableado al bloque de terminal.
3. Complete la conexión eléctrica de acuerdo con el tipo de suministro de energía que usted tenga (conexión de 3 ó 4 hilos).

Conexión de 4 hilos: Cable directo

Use este método para:

- Nuevas instalaciones de circuito derivado (1996 NEC)
- Casas rodantes
- Vehículos de recreación
- En un área donde los códigos locales prohíben la conexión a tierra a través del terminal neutro

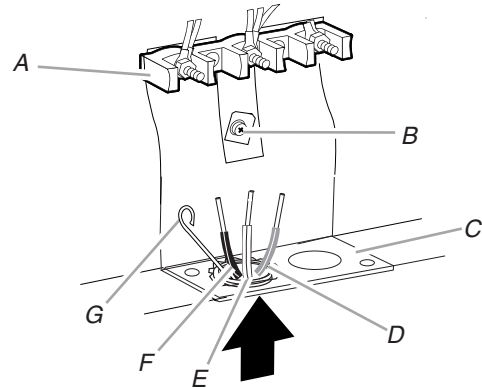
1. Parte del fleje de metal a tierra debe cortarse y quitarse.



A. Fleje de metal a tierra
B. Deseche
C. Tornillo de puesta a tierra

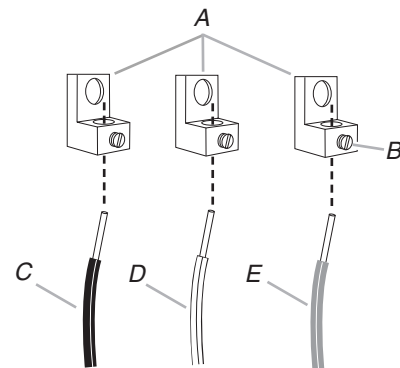
2. Use un destornillador Phillips para quitar el tornillo de puesta a tierra, ubicado en la parte posterior de la estufa. Guarde el tornillo de puesta a tierra y el extremo del hilo de conexión a tierra, ubicado debajo del tornillo.

3. Jale el conducto a través del protector de cables, sobre la placa del cable/conducto en la base de la estufa. Deje el hilo lo suficientemente flojo para poder conectar el cableado al bloque de terminal.



A. Bloque de terminal
B. Tornillo de puesta a tierra
C. Placa del cable/conducto
D. Hilo de la línea 2 (rojo)
E. Hilo neutro (blanco)
F. Hilo de la línea 1 (negro)
G. Hilo desnudo (verde) de conexión a tierra

4. Sujete los talones terminales a los hilos de la línea 1 (negra), neutra (blanca) y línea 2 (roja). Afloje (no quite) el tornillo fijo que está en el frente del talón terminal e inserte el extremo del hilo expuesto a través de la base de los talones terminales. Apriete firmemente el tornillo fijo al par de torsión, como se muestra en la tabla de Especificaciones del par de torsión del hilo desnudo.



A. Talón terminal
B. Tornillo fijo
C. Hilo de la línea 1 (negro)
D. Hilo neutro (blanco)
E. Hilo de la línea 2 (rojo)

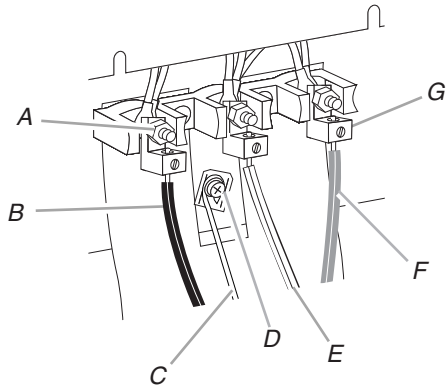
Especificaciones del par de torsión del hilo desnudo

Cómo fijar los talones terminales al bloque de terminal - 20 lbs-pulg. (2,3 N-m)

Calibre del hilo	Par de torsión
Cobre de calibre 8	25 lbs-pulg. (2,8 N-m)
Aluminio de calibre 6	35 lbs-pulg. (4,0 N-m)

5. Use un destornillador Phillips para conectar el hilo a tierra desnudo (verde) a la estufa con el tornillo de puesta a tierra. Primero se debe ajustar el hilo de tierra, el cual no debe tener contacto con ninguna otra terminal.

- Use una llave para tuercas de $\frac{3}{8}$ " para conectar el hilo neutro (blanco) al poste central del bloque de terminal con una de las tuercas hexagonales de 10-32.



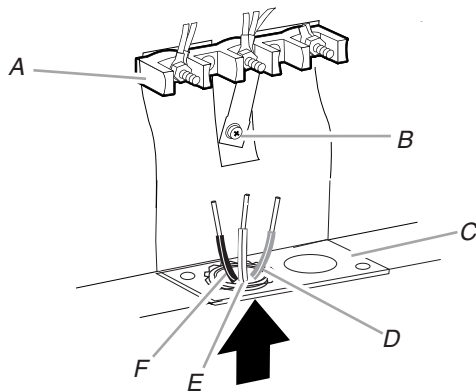
- A. Tuerca hexagonal de 10-32
 B. Línea 1 (negra)
 C. Hilo desnudo (verde) de conexión a tierra
 D. Tornillo de puesta a tierra
 E. Hilo neutro (blanco)
 F. Línea 2 (roja)
 G. Talón terminal

- Conecte los hilos de la línea 1 (negra) y de la línea 2 (roja) a los postes externos del bloque de terminal, con las tuercas hexagonales de 10-32.
- Apriete firmemente las tuercas hexagonales.
- Vuelva a colocar la tapa de acceso del bloque de terminal.

Conexión de 3 hilos: Cable directo

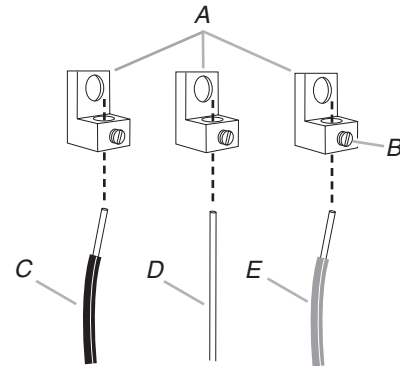
Use este método solamente si los códigos locales permiten conectar el conductor a tierra al hilo neutro de suministro de energía.

- Jale el conducto a través del protector de cables, sobre la placa del cable/conducto en la base de la estufa. Deje el hilo lo suficientemente flojo para poder conectar el cableado al bloque de terminal.



- A. Bloque de terminal
 B. Tornillo de puesta a tierra
 C. Placa del cable/conducto
 D. Hilo de la línea 2 (rojo)
 E. Hilo desnudo (verde) de conexión a tierra
 F. Hilo de la línea 1 (negro)

- Sujete los talones terminales a los hilos de la línea 1 (negra), desnuda (verde) de conexión a tierra, y línea 2 (roja). Afloje (no quite) el tornillo fijo que está en el frente del talón terminal e inserte el extremo del hilo expuesto a través de la base de los talones terminales. Apriete firmemente el tornillo fijo al par de torsión, como se muestra en la tabla de Especificaciones del par de torsión del hilo desnudo.



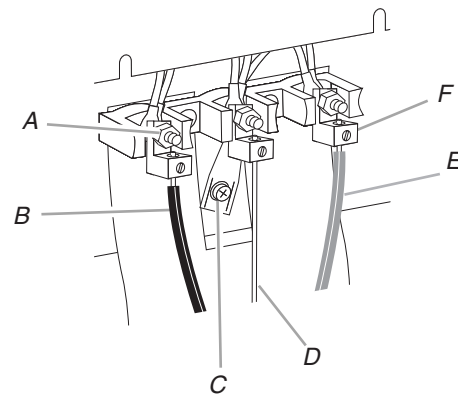
- A. Talón terminal
 B. Tornillo fijo
 C. Hilo de la línea 1 (negro)
 D. Hilo desnudo (verde) de conexión a tierra
 E. Hilo de la línea 2 (rojo)

Especificaciones del par de torsión del hilo desnudo

Cómo fijar los talones terminales al bloque de terminal - 20 lbs-pulg. (2,3 N-m)

Calibre del hilo	Par de torsión
Cobre de calibre 8	25 lbs-pulg. (2,8 N-m)
Aluminio de calibre 6	35 lbs-pulg. (4,0 N-m)

- Use una llave para tuercas de $\frac{3}{8}$ " para conectar el hilo desnudo (verde) al poste central del bloque de terminal con una de las tuercas hexagonales de 10-32.

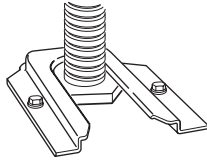


- A. Tuerca hexagonal de 10-32
 B. Línea 1 (negra)
 C. Tornillo de puesta a tierra
 D. Hilo desnudo (verde) de conexión a tierra
 E. Línea 2 (roja)
 F. Talón terminal

- Conecte los hilos de la línea 1 (negra) y de la línea 2 (roja) a los postes externos del bloque de terminal, con las tuercas hexagonales de 10-32.
- Apriete firmemente las tuercas hexagonales.
- Vuelva a colocar la tapa de acceso del bloque de terminal.

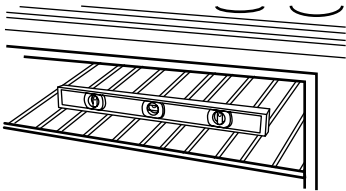
Verificación de la ubicación del soporte anti-vuelco

1. Asegúrese de que el soporte anti-vuelco haya sido instalado:
 - Busque el soporte anti-vuelco ajustado firmemente al piso.
 - Deslice la estufa hacia atrás de modo tal que la pata trasera quede debajo del soporte anti-vuelco.



Nivelación de la estufa

1. Ponga la parrilla en el horno.
2. Coloque un nivel en la parrilla y verifique que la estufa esté nivelada, primero de lado a lado y después de adelante hacia atrás.
3. Si la estufa no está nivelada, jale la estufa hacia adelante hasta quitar la pata niveladora posterior del soporte anti-vuelco.



4. Use un trinquete de accionamiento de 3/8" y pinzas ajustables para ajustar las patas niveladoras hacia arriba o hacia abajo hasta que la estufa esté nivelada.
5. Empuje la estufa a su posición final.
6. Verifique que la pata niveladora trasera esté enganchada en el soporte anti-vuelco.

NOTA: La estufa debe estar nivelada para obtener un horneado satisfactorio.

Complete la instalación

1. Verifique que todas las piezas estén instaladas. Si hay alguna pieza extra, vuelva a revisar todos los pasos para ver cuál se omitió.
2. Verifique que tiene todas las herramientas.
3. Deshágase de todos los materiales de embalaje o recícelos.
4. Verifique que la estufa esté nivelada. Vea "Nivelación de la estufa".
5. Use una solución suave de limpiador doméstico líquido y agua tibia para quitar el residuo ceroso ocasionado por el material de embalaje. Seque meticulosamente con un paño suave.
6. Lea el Manual de uso y cuidado de la estufa para el uso y la limpieza de la estufa.
7. Encienda los quemadores de superficie y el horno.

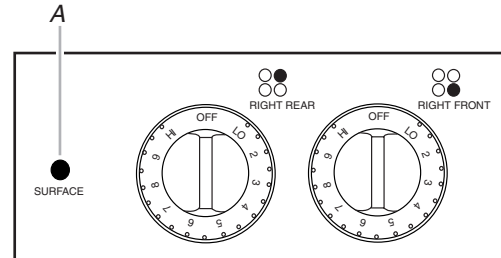
Si la estufa no funciona, revise lo siguiente:

- Que el fusible de la casa esté intacto y ajustado; o que no se haya disparado el cortacircuitos.
- Que el suministro eléctrico esté conectado.
- Vea "Solución de problemas" en el Manual de uso y cuidado.

Verifique el funcionamiento

Verifique el funcionamiento de los elementos de la superficie de cocción:

1. Empuje hacia adentro y gire cada perilla de control de la superficie hacia la posición "HI" (Alto).
Verifique el funcionamiento de los elementos de la superficie de cocción y de las luces indicadoras.

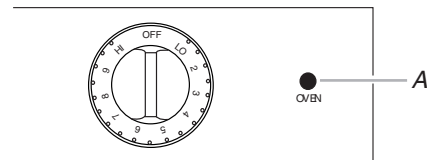


A. Luz indicadora de la superficie

2. Gire la perilla del control hacia la posición "OFF" (Apagado).

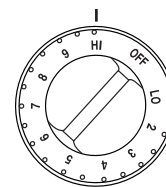
Verifique el funcionamiento de los elementos del horno:

1. Fije el control de la temperatura del horno en 350 °F.
El elemento inferior deberá ponerse rojo y deberá estar encendida la luz indicadora de "OVEN ON" (Horno encendido). El elemento superior deberá calentarse, pero no ponerse rojo. La luz indicadora de "OVEN ON" (Horno encendido) se enciende cuando se ha precalentado el horno.



A. Luz indicadora del horno

2. Fije el control de la temperatura del horno en "BROIL" (Asar).
El elemento superior deberá ponerse rojo y deberá estar encendida la luz indicadora de "OVEN ON" (Horno encendido).



OVEN TEMP

3. Gire la perilla del control hacia la posición "OFF" (Apagado).

W10175654B

© 2008
All rights reserved.
Todos los derechos reservados.

4/08
Printed in Mexico
Impreso en México