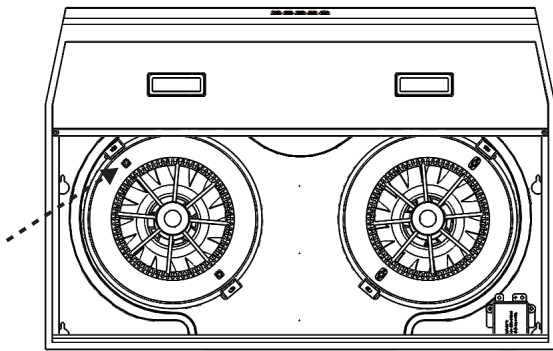
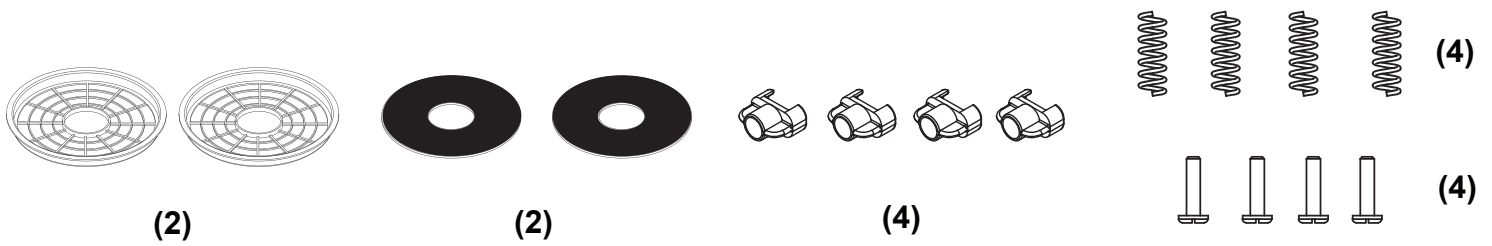
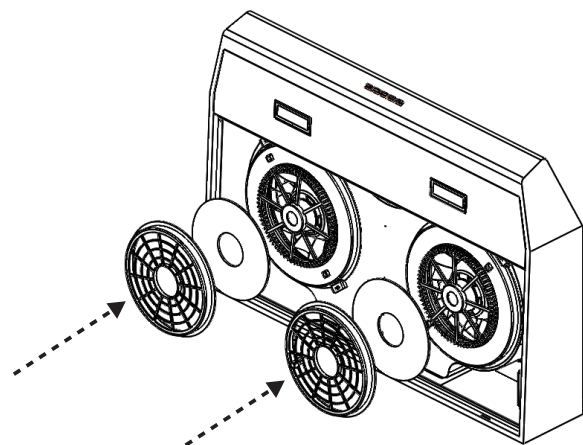


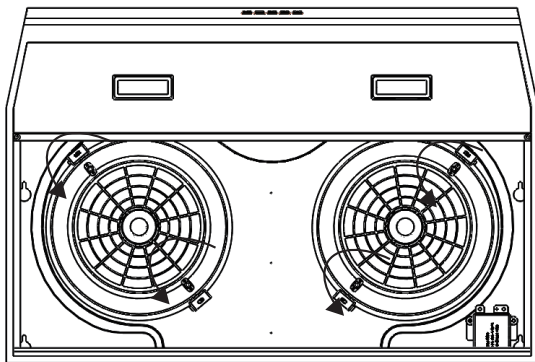
THIS KIT INCLUDES:



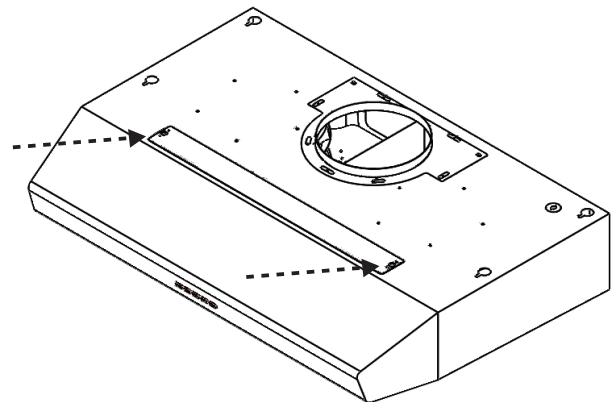
1. Secure each of the (2) spring clips to the safety grille body. Do this by inserting the screw through the spring and into the clip. Secure each clip to the safety grille body by using a philips head screwdriver.



2. Insert charcoal filter in to the charcoal filter holder and place it over the safety grille body.



3. Secure charcoal filter holder to safety grill body by lifting up on spring clips and twisting. The clip should cover the lip of the charcoal filter holder securely.



4. Remove each screw from recirculating top plate. Plate is located on top of hood towards the front.