

ZEPHYR

WWW.ZEPHYRONLINE.COM

Typhoon

AK2100CS, B, W

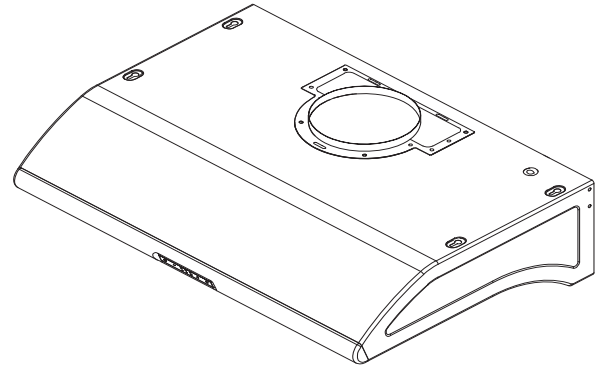
AK2136CS, B, W

AK2142CS

AK2148CS

ACT[™]

Airflow Control Technology



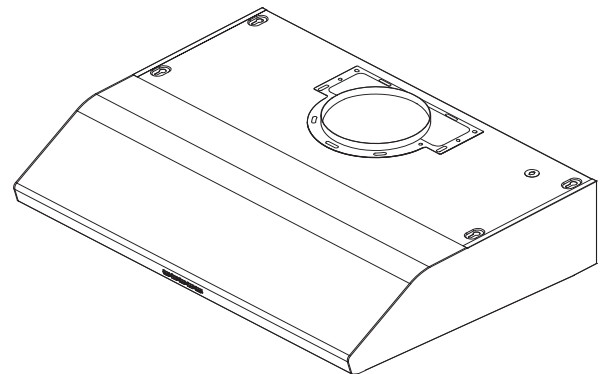
Hurricane

AK2500BS, B, W

AK2536BS, B, W

ACT[™]

Airflow Control Technology

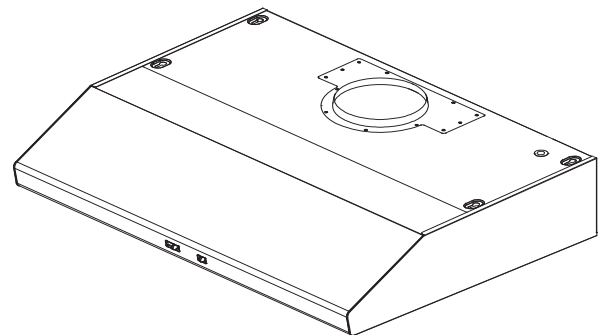


Cyclone

AK6500BS, B, BS, W

AK6536BS, B, BS, W

AK6542BS



EN Use, Care, and Installation Guide

FR Guide d'utilisation, d'entretien et d'installation



	Page
Safety Information	4-9
Types of Safety Warnings.....	4
General Safety	5-8
Operation	8
Electrical Requirements	8-9
List of Materials.....	10
Installation Instructions.....	11-20
Ducting Calculation Sheet.....	11
Mounting Height, Clearance, & Ducting	12-13
Ducting Options	14
AK21 Hood Specifications	15
AK25 Hood Specifications.....	16
AK65 Hood Specifications.....	17
Electrical Supply.....	18
Cable Lock	18
Rectangular Vertical Ducting Preparation	19
Rectangular Horizontal Ducting Preparation	20-21
Mounting the Hood.....	22-23
Features & Controls.....	24-26
AK21 Capacitive Touch	24
AK25 Electronic Touch	25
AK65 Mechanical Slide	26
Maintenance	27-30
Hood & Filter Cleaning.....	27-29
LumiLight LED & LED Light Strip	30
ACT™ Conversion.....	31-33
Airflow Control Technology (ACT™)	31
Enabling ACT™	32-33
Wiring Diagram.....	34
Troubleshooting.....	35
List of Parts & Accessories	36
Notes.....	37
Limited Warranty	38-39
Product Registration.....	40



Safety Information



Your safety and the safety of others are very important.

We have provided many important safety messages in this manual for your appliance. Always read and obey all safety messages.



This is the Safety Alert Symbol. This symbol alerts you to potential hazards that can cause severe bodily injury or death. All safety messages will follow the Safety Alert Symbol and either the words “DANGER” “WARNING” or “CAUTION”

	DANGER	
Danger means that failure to heed this safety statement may result in severe injury or death.		

	WARNING	
Warning means that failure to heed this safety statement may result in extensive product damage, serious personal injury, or death.		

	CAUTION	
Caution means that failure to heed this safety statement may result in minor or moderate personal injury, property or equipment damage.		

READ AND SAVE THESE INSTRUCTIONS

General Safety



WARNING - TO REDUCE THE RISK OF FIRE, ELECTRIC SHOCK, OR INJURY TO PERSONS, OBSERVE THE FOLLOWING:

- a) Use this unit only in the manner intended by the manufacturer. If you have questions, contact the manufacturer.
- b) Before servicing or cleaning unit, switch power off at service panel and lock the service disconnecting means to prevent power from being switched on accidentally. When the service disconnecting means cannot be locked, securely fasten a prominent warning device, such as a tag, to the service panel.



READ AND SAVE THESE INSTRUCTIONS



WARNING - TO REDUCE THE RISK OF A RANGE TOP GREASE FIRE:

- a) Never leave surface units unattended at high settings. Boilovers cause smoking and greasy spillovers that may ignite. Heat oils slowly on low or medium settings.
- b) Always turn hood ON when cooking at high heat or when flambeing food. (i.e. Crepes Suzette, Cherries Jubilee, Peppercorn Beef Flambe’).
- c) Clean ventilating fans frequently. Grease should not be allowed to accumulate on fan or filter.
- d) Use proper pan size. Always use cookware appropriate for the size of the surface element.



WARNING - TO REDUCE THE RISK OF INJURY TO PERSONS IN THE EVENT OF A RANGE TOP GREASE FIRE, OBSERVE THE FOLLOWING^a:

- a) SMOTHER FLAMES with a close-fitting lid, cookie sheet, or metal tray, then turn off the burner. BE CAREFUL TO PREVENT BURNS. If the flames do not go out immediately, EVACUATE AND CALL THE FIRE DEPARTMENT.
- b) NEVER PICK UP A FLAMING PAN – You may be burned.
- c) DO NOT USE WATER, including wet dishcloths or towels – a violent steam explosion will result.
- d) Use an extinguisher ONLY if:
 - 1) You know you have a Class ABC extinguisher, and you already know how to operate it.
 - 2) The fire is small and contained in the area where it started.
 - 3) The fire department is being called.
 - 4) You can fight the fire with your back to an exit

^aBased on “Kitchen Firesafety Tips” published by NFPA.

READ AND SAVE THESE INSTRUCTIONS



WARNING - TO REDUCE THE RISK OF FIRE, ELECTRIC SHOCK, OR INJURY TO PERSONS, OBSERVE THE FOLLOWING:

- a) Installation work and electrical wiring must be done by qualified person(s) in accordance with all applicable codes and standards, including fire-rated construction.
- b) Sufficient air is needed for proper combustion and exhausting of gases through the flue (chimney) of fuel burning equipment to prevent back drafting. Follow the heating equipment manufacturer's guideline and safety standards such as those published by the National Fire Protection Association (NFPA), and the American Society for Heating, Refrigeration and Air Conditioning Engineers (ASHRAE), and the local code authorities.
- c) When cutting or drilling into wall or ceiling, do not damage electrical wiring and other hidden utilities.
- d) Ducted fans must always be vented to the outdoors.
- e) If this unit is to be installed over a tub or shower, it must be marked as appropriate for the application and be connected to a GFCI (Ground Fault Circuit Interrupter) - protected branch circuit.



Safety Information

READ AND SAVE THESE INSTRUCTIONS



- ▶ To reduce risk of fire and to properly exhaust air outside, do not vent exhaust air into spaces within walls, ceilings, attics, crawl spaces, or garages.
- ▶ Not for use over an outdoor grill.
- ▶ For indoor use only.
- ▶ This hood is not intended to be used as a shelf.

Operation

- ▶ Always leave safety grilles and filters in place. Without these components, operating blowers could catch onto hair, fingers and loose clothing.
- ▶ The manufacturer declines all responsibility in the event of failure to observe the instructions given here for installation, maintenance and suitable use of the product. The manufacturer further declines all responsibility for injury due to negligence and the warranty of the unit automatically expires due to improper maintenance.

NOTE: Please check www.zephyronline.com for revisions before doing any custom work.

Electrical Requirements

Important:

Observe all governing codes and ordinances.

It is the customer's responsibility to be aware of these below:

- ▶ To contact a qualified electrical installer.
- ▶ To assure that the electrical installation is adequate and in conformance with National Electrical Code, ANSI/NFPA 70 latest edition* or CSA standards C22.1-94, Canadian Electrical Code, Part 1 and C22.2 No.0-M91 - latest edition** and all local codes and ordinances.

READ AND SAVE THESE INSTRUCTIONS

- ▶ If codes permit and a separate ground wire is used, it is recommended that a qualified electrician determine that the ground path is adequate.
- ▶ Do not ground to a gas pipe.
- ▶ Check with a qualified electrician if you are not sure the range hood is properly grounded.
- ▶ Do not have a fuse in the neutral or ground circuit.
- ▶ This appliance requires a 120V 60Hz electrical supply and connected to an individual properly grounded branch circuit protected by a 15 or 20 ampere circuit breaker or time delay fuse. Wiring must be 2 wire with ground. Please also refer to Electrical Diagram on product.
- ▶ A cable locking connector (not supplied) might also be required by local codes. Check with local requirements, purchase and install appropriate connector if necessary.

* National Fire Protection Association Batterymarch Park, Quincy, Massachusetts 02269

** CSA International 8501 East Pleasant Valley Road, Cleveland, Ohio 44131-5575



WARNING



Prop. 65 Warning for California Residents: This product may contain chemicals known to the State of California to cause cancer, birth defects, or other reproductive harm.

List of Materials

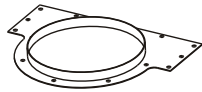
TYPHOON, HURRICANE
& CYCLONE

UNDER-CABINET

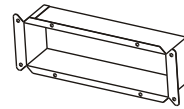
Parts Supplied

Quantity	Part
1	Hood
2	Safety grilles
2	LumiLight LED (AK21 only)
2	Halogen light bulbs, 35W (AK25 & AK65 only)
1	Hardware package

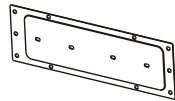
7" Round transition adapter (AK21, AK25)
6" Round transition adapter (AK65)
(pre-installed on top of hood)



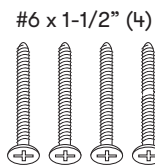
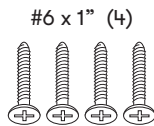
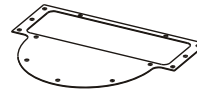
3-1/4"x10" rectangular starting collar



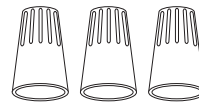
3-1/4"x10" rectangular cover plate
(pre-installed on back of hood)



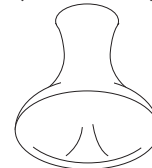
3-1/4"x10" rectangular vertical transition adapter



Wire Caps (3)



Suction Cup (1)
(AK25 & AK65)



Safety Grille
Screws (2)



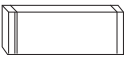
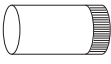
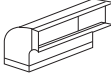
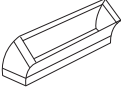
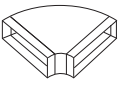
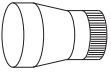
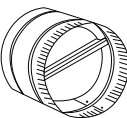


Washer (4)



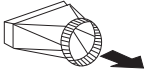
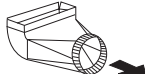
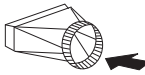
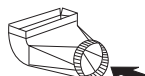
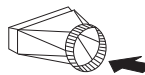
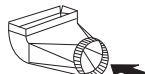
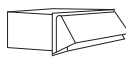
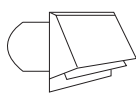

Parts Not Supplied

Ducting, conduit and all installation tools
Backdraft damper
Philips head screwdriver with minimum 8" long shaft (required to install AK2100)
Cable locking connector (if required by local codes)

Ducting Calculation Sheet

Duct pieces		Equivalent number length x used =	Total
	3-1/4" x 10" Rect., straight	1 Ft. x () =	Ft.
	6", 7", 8", 10" Round, straight	1 Ft. x () =	Ft.
	3-1/4" x 10" Rect. 90° elbow	15 Ft. x () =	Ft.
	3-1/4" x 10" Rect. 45° elbow	9 Ft. x () =	Ft.
	3-1/4" x 10" Rect. 90° flatelbow	24 Ft. x () =	Ft.
	7" to 6" or 8" to 7" Round tapered reducer	25 Ft. x () =	Ft.
	6", 7", 8" Round in-line damper	15 Ft. x () =	Ft.
	6", 7", 8", 10" Round, 90° elbow	15 Ft. x () =	Ft.
	6", 7", 8", 10" Round, 45° elbow	9 Ft. x () =	Ft.
Subtotal column 1 =			Ft.

Maximum Duct Length: For satisfactory air movement, the total duct length should not exceed 150 equivalent feet.

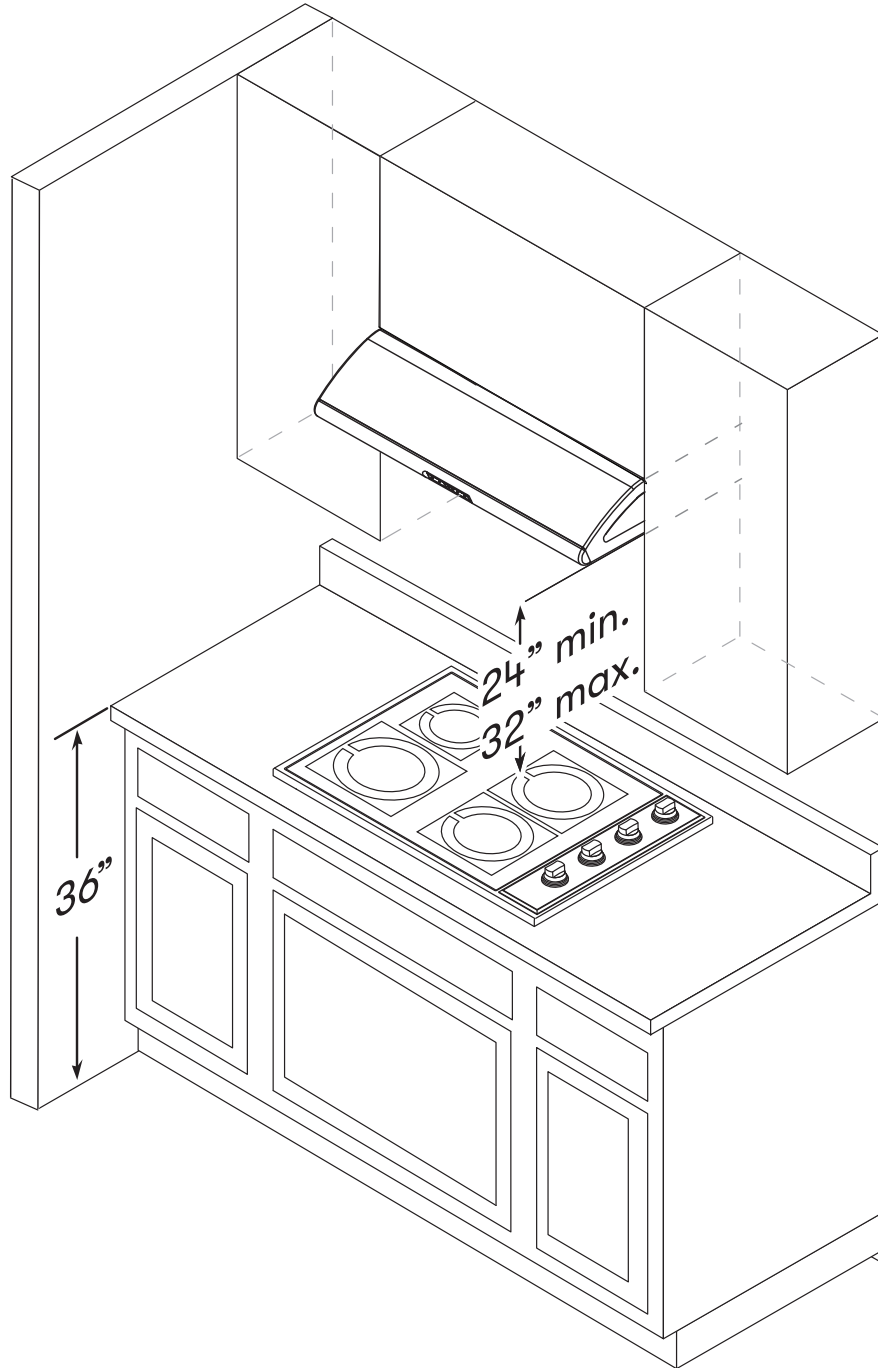
Duct pieces		Equivalent number length x used =	Total
	3-1/4" x 10" Rect. to 6" round transition	5 Ft. x () =	Ft.
	3-1/4" x 10" Rect. to 6" round transition 90° elbow	20 Ft. x () =	Ft.
	6" round to 3-1/4" x 10" rect. transition	1 Ft. x () =	Ft.
	6" round to 3-1/4" x 10" rect. transition 90° elbow	16 Ft. x () =	Ft.
	7" round to 3 1/4" x 10" rect. transition	8 Ft. x () =	Ft.
	7" round to 3-1/4" x 10" rect. transition 90° elbow	23 Ft. x () =	Ft.
	3-1/4" x 10" Rect. wall cap with damper	30 Ft. x () =	Ft.
	6", 7", 8", 10" Round, wall cap with damper	30 Ft. x () =	Ft.
	6", 7", 8", 10" Round roof cap	30 Ft. x () =	Ft.
Subtotal column 2 =			Ft.
Subtotal column 1 =			Ft.
Total ductwork =			Ft.

Installation Instructions

TYPHOON, HURRICANE
& CYCLONE

UNDER-CABINET

Mounting Height, Clearance, & Ducting



Mounting Height, Clearance, & Ducting

A minimum of 6" round for AK65 and 7" round for AK21 and AK25 or 3-1/4" x 10" rectangular duct must be used to maintain maximum air flow efficiency for vertical ducting. For horizontal ducting, 3-1/4" x 10" rectangular duct is the minimum size.

Always use rigid type metal ducts only. Flexible ducts could restrict air flow by up to 50%.

Use calculation worksheet to compute total available duct run when using elbows, transitions, and caps.

ALWAYS, when possible, reduce the number of transitions and turns. If long duct run is required, increase duct size from 6" to 7" or 7" to 8".

If turns or transitions are required: Install as far away from duct opening and as far apart between the two transitions as possible.

Minimum mount height between range top to hood bottom should be no less than 24".

Maximum mount height should be no higher than 32".

It is important to install the hood at the proper mounting height. Hoods mounted too low could result in heat damage and fire hazard; while hoods mounted too high will be hard to reach and will lose performance and efficiency.

If available, also refer to range manufacturer's height clearance requirements and recommended hood mounting height above range. Always check your local codes for any differences.

For shipment and installation damages:


- ▶ Please fully inspect unit for damage before installation.
- ▶ If the unit is damaged in shipment, return the unit to the store in which it was bought for repair or replacement.
- ▶ If the unit is damaged by the customer, repair or replacement is the responsibility of the customer.
- ▶ If the unit is damaged by the installer (if other than the customer), repair or replacement must be made by arrangement between customer and installer.

Installation Instructions


TYPHOON, HURRICANE
& CYCLONE

UNDER-CABINET

Ducting Options

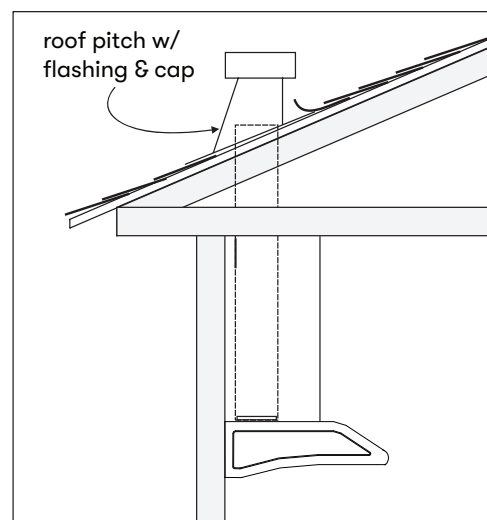
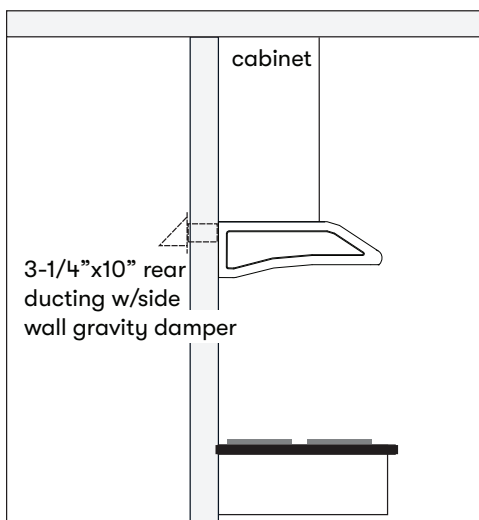
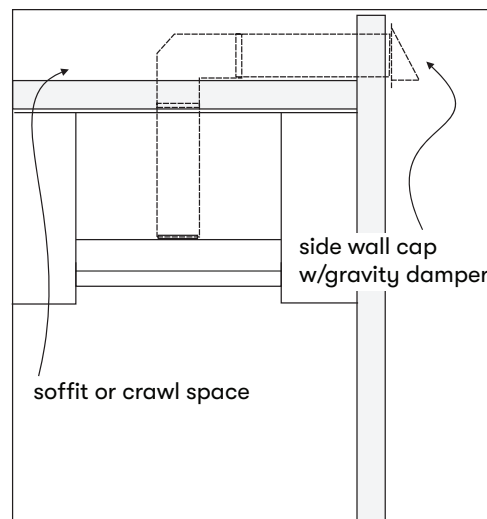
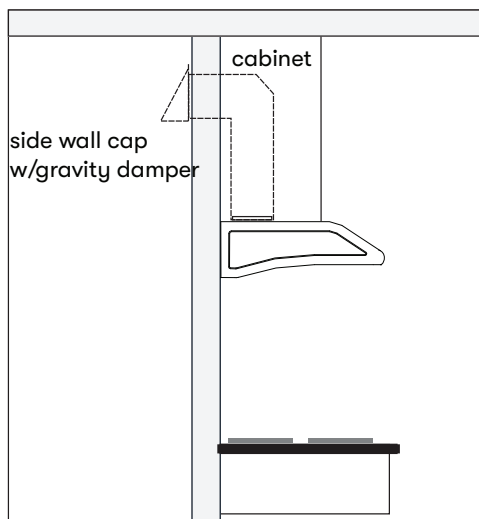


WARNING

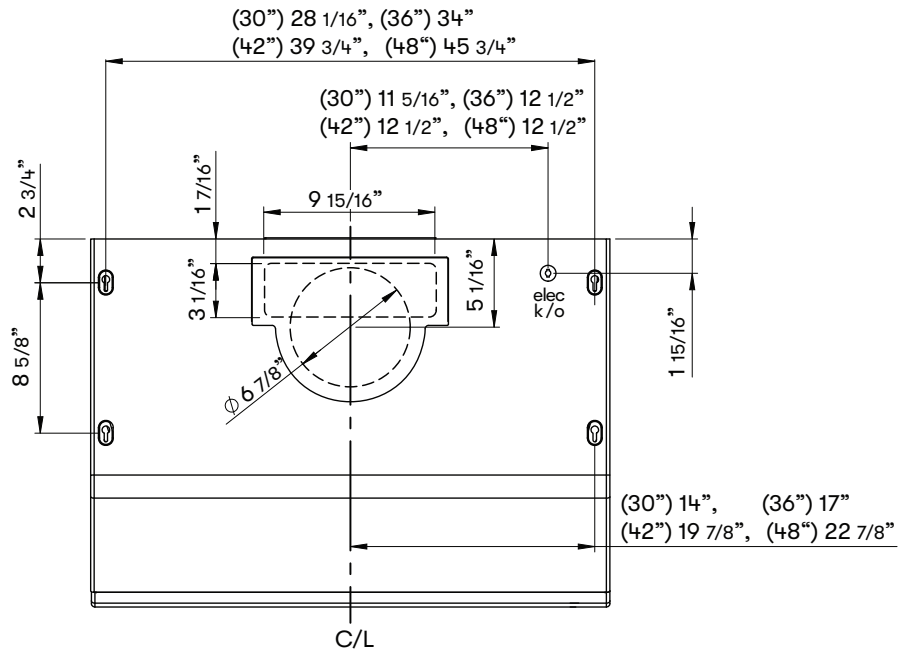


Fire Hazard: NEVER exhaust air or terminate ductwork into spaces between walls, crawl spaces, ceilings, attics, or garages. All exhaust must be ducted to the outside, unless using the recirculating option.

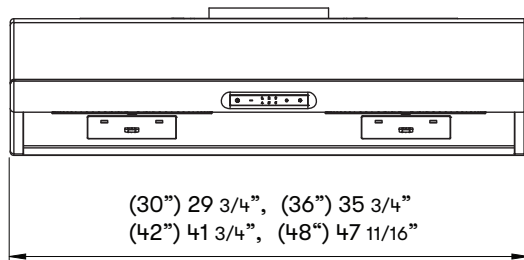
- ▶ Use single wall rigid metal ductwork only.
- ▶ Fasten all connections with sheet metal screws and tape all joints w/ certified Silver Tape or Duct Tape.



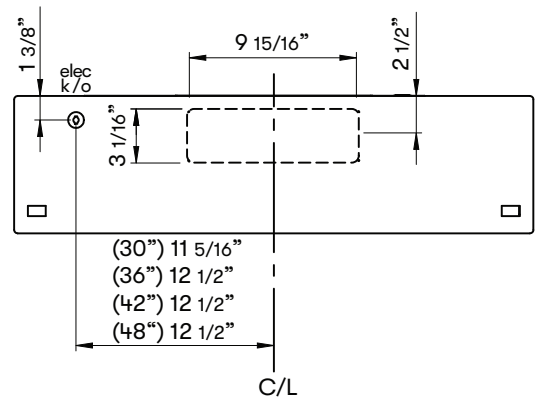
AK21 Hood Specifications



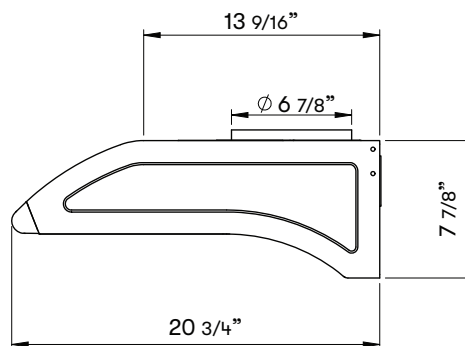
TOP



FRONT



BACK



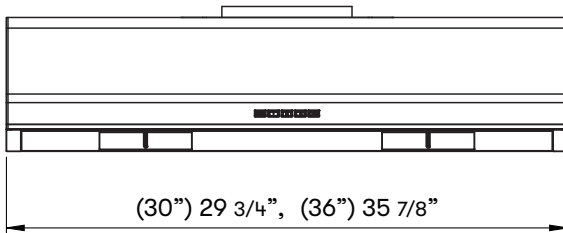
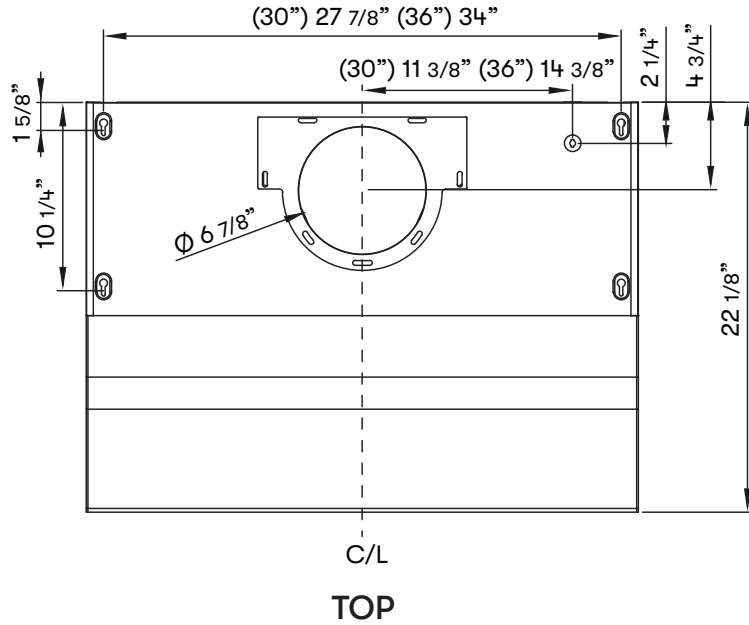
SIDE

Installation Instructions

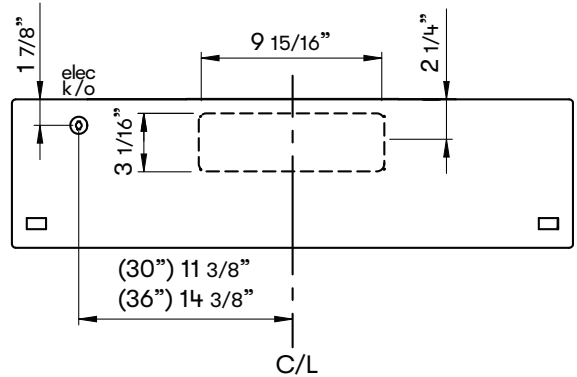
TYPHOON, HURRICANE
& CYCLONE

UNDER-CABINET

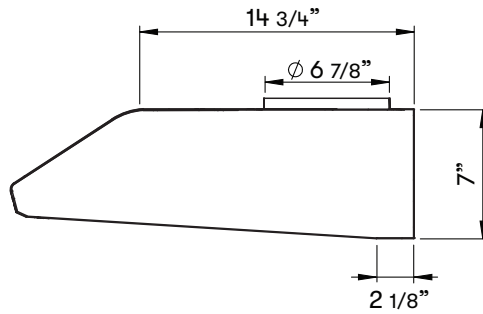
AK25 Hood Specifications



FRONT

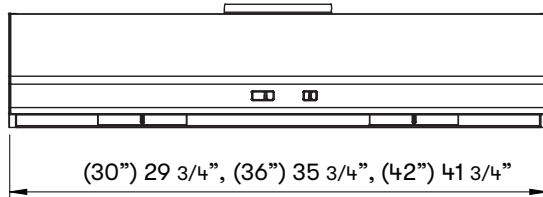
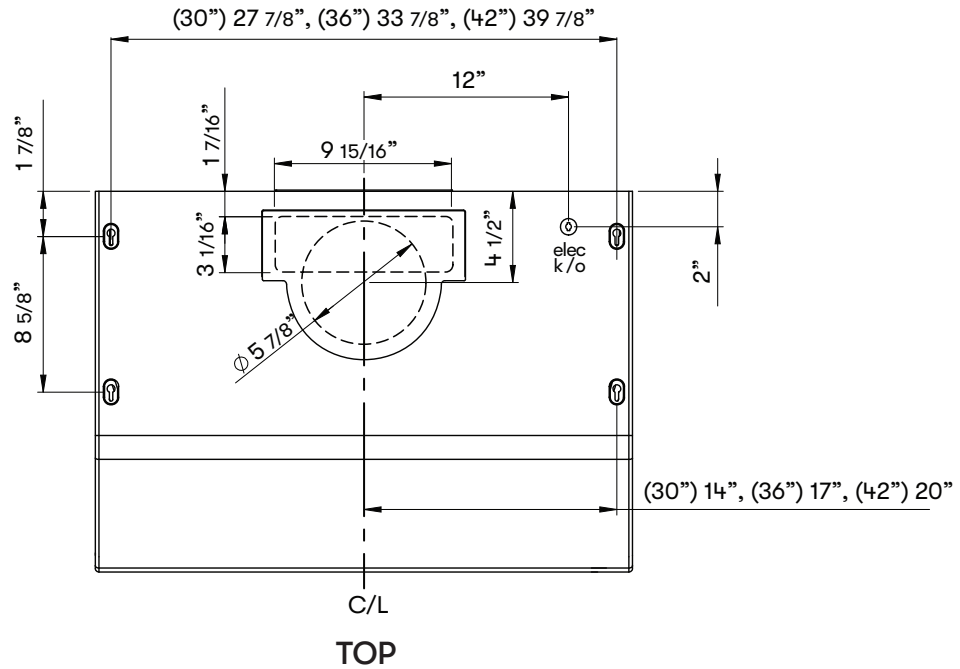


BACK

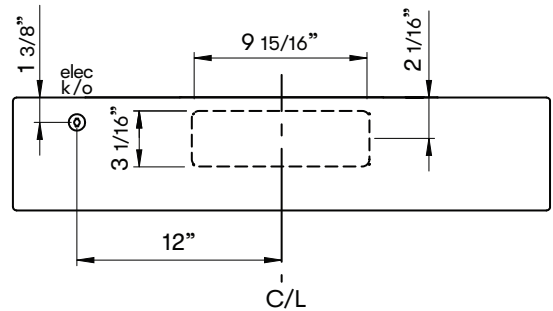


SIDE

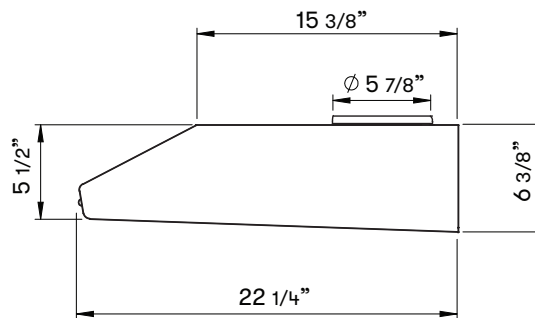
AK65 Hood Specifications



FRONT



BACK



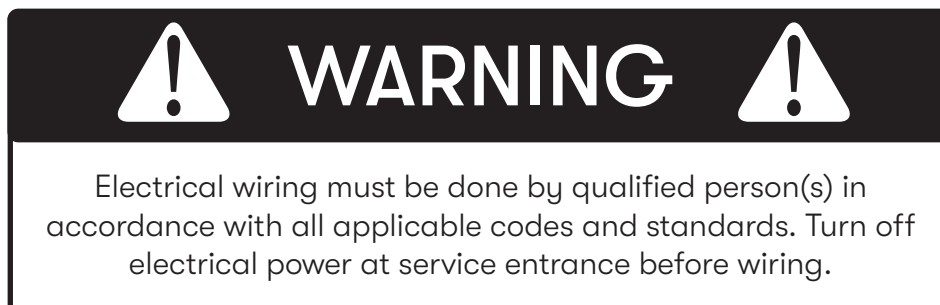
SIDE

Installation Instructions

TYPHOON, HURRICANE
& CYCLONE

UNDER-CABINET

Electrical Supply



For personal safety, remove house fuse or open circuit breaker before beginning installation. Do not use extension cord or adapter plug with this appliance.

Follow national electrical codes or prevailing local codes and ordinances.

This appliance requires a 120V 60Hz electrical supply, and connected to an individual, properly grounded branch circuit, protected by a 15 or 20 ampere circuit breaker or time delay fuse. Wiring must be 2 wire w/ ground. Please also refer Electrical Diagram labeled on product.

Cable Lock

A cable locking connector (not supplied) might be required by local codes. Check with local requirements and codes, purchase and install appropriate connector if necessary. (FIG. A)

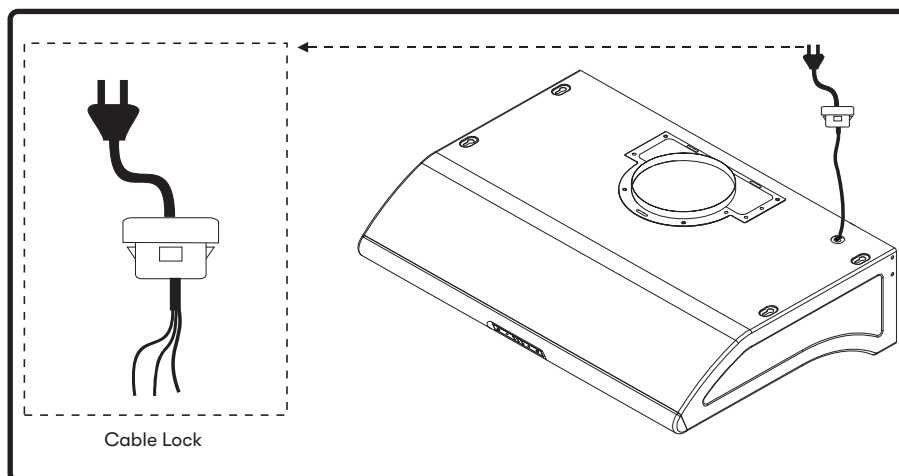
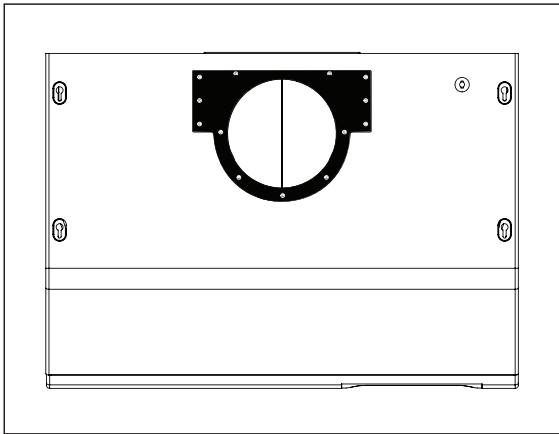


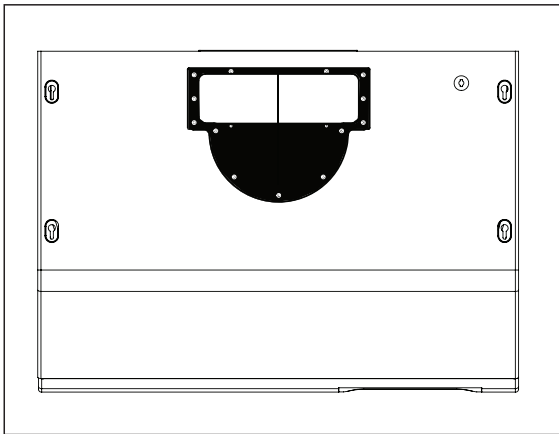
FIG. A

Rectangular Vertical Ducting Preparation

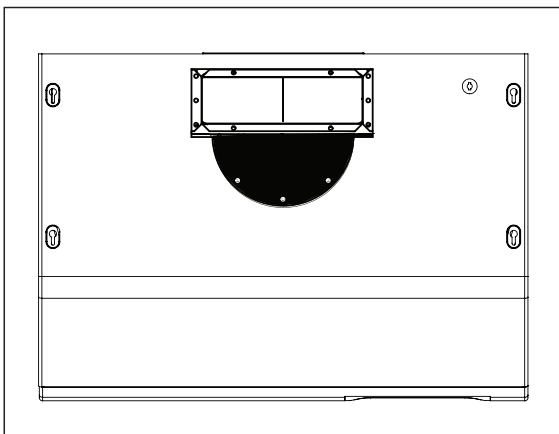
- ▶ By default the Typhoon and Hurricane are pre-configured for 7" round vertical ducting.
- ▶ By default the Cyclone is pre-configured for 6" round vertical ducting.



1. Using a Philips-head screwdriver remove the screws and round vertical transition adapter from top of hood body.



2. Replace round vertical transition adapter with rectangular transition adapter. Do not secure to hood body yet.

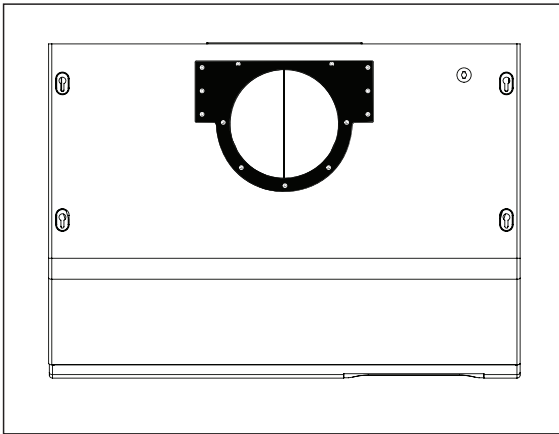


3. Place 3-1/4"x10" rectangular collar on top of rectangular transition adapter. Secure rectangular adapter and rectangular collar to hood body using the previously removed screws from step 1.

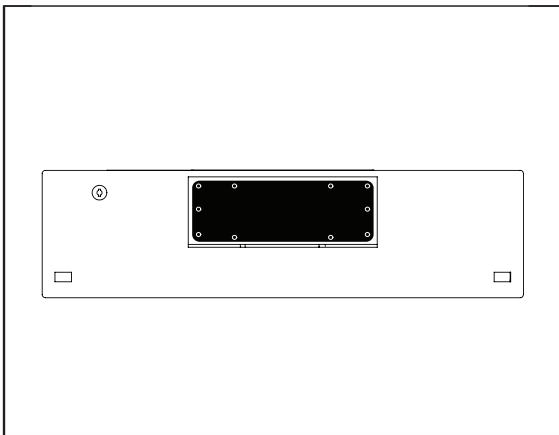
Installation Instructions

Rectangular Horizontal Ducting Preparation

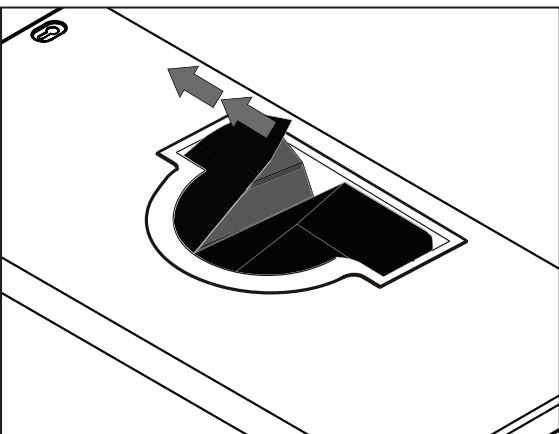
- ▶ By default the Typhoon and Hurricane are pre-configured for 7" round vertical ducting.
- ▶ By default the Cyclone is pre-configured for 6" round vertical ducting.



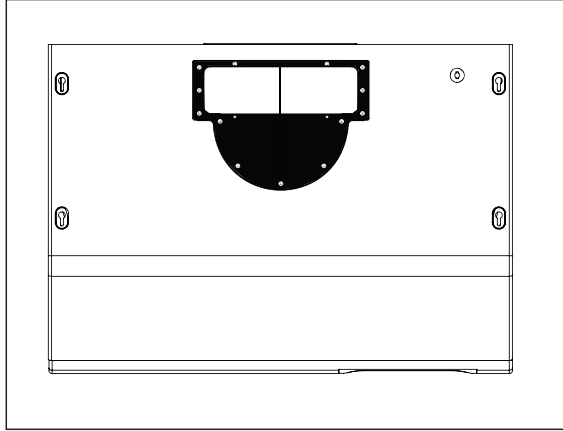
1. Using a Philips-head screwdriver remove the screws and round vertical transition adapter from the top of the hood.



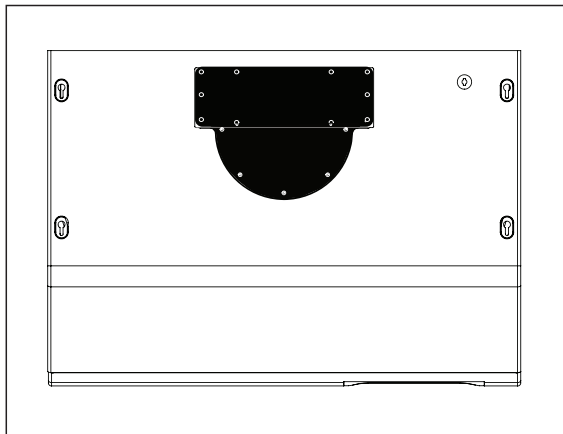
2. Using a Philips-head screwdriver, remove the screws and 3-1/4"x10" rectangular cover plate from back of hood.



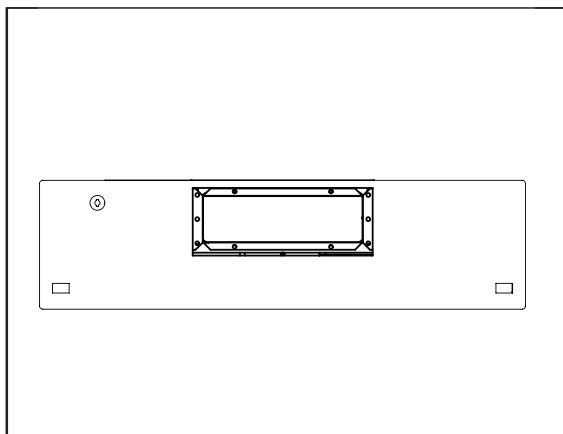
3. Typhoon ONLY. Remove the two plastic air diverter blocks. The blocks are located in the hood and can be accessed from the top when the round transition adapter is removed.



4. Replace round vertical transition adapter with rectangular transition adapter. Do not secure to hood body yet.



5. Place 3-1/4"x10" rectangular cover plate over the rectangular opening on top of hood from step 4. Secure rectangular transition adapter and cover plate to hood body using the previously removed screws from step 1.



6. Place 3-1/4"x10" rectangular collar on back of hood and secure using the screws that previously secured the rectangular cover plate.

Installation Instructions

TYPHOON, HURRICANE
& CYCLONE

UNDER-CABINET

Mounting the Hood

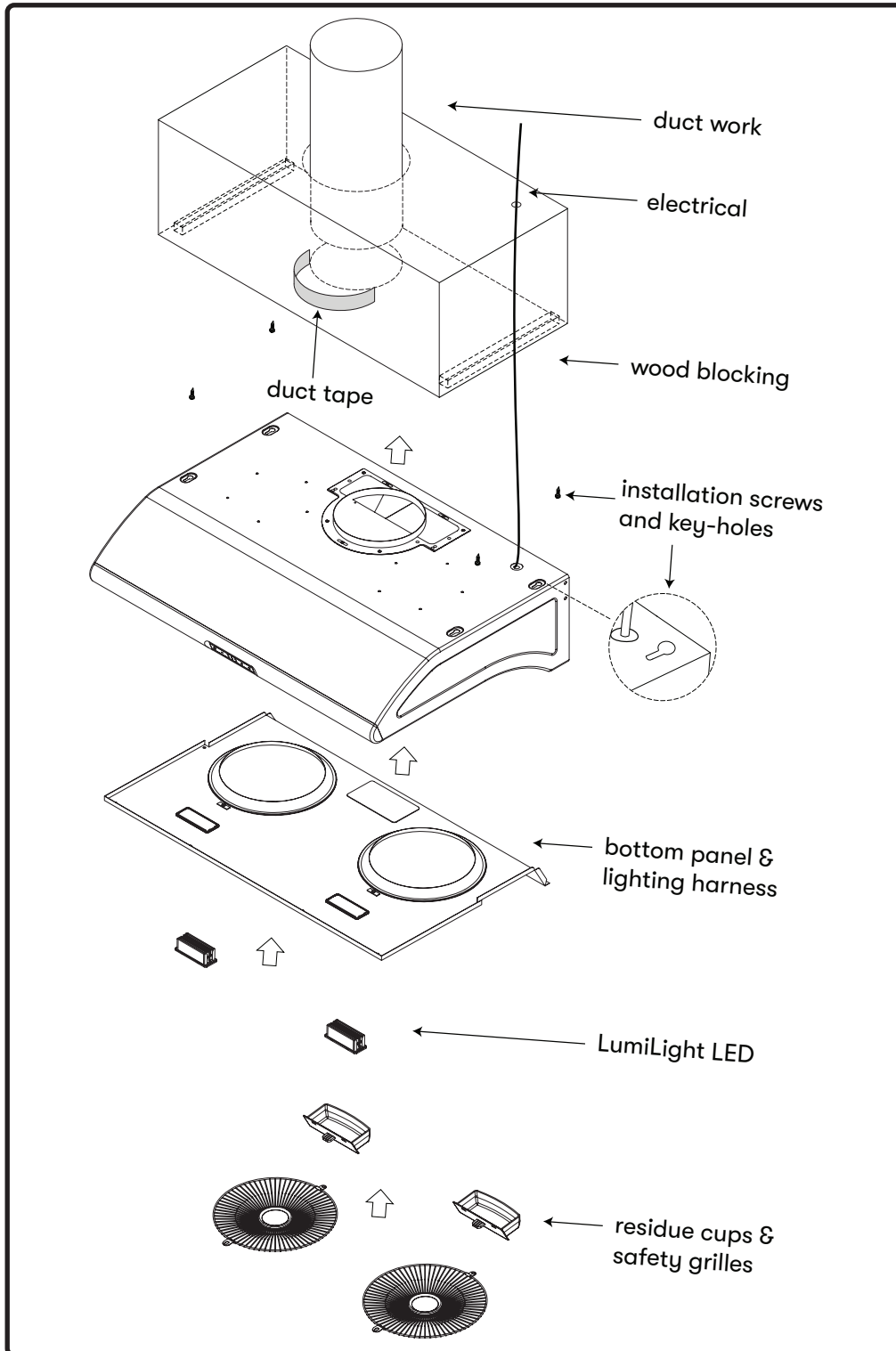


FIG. B

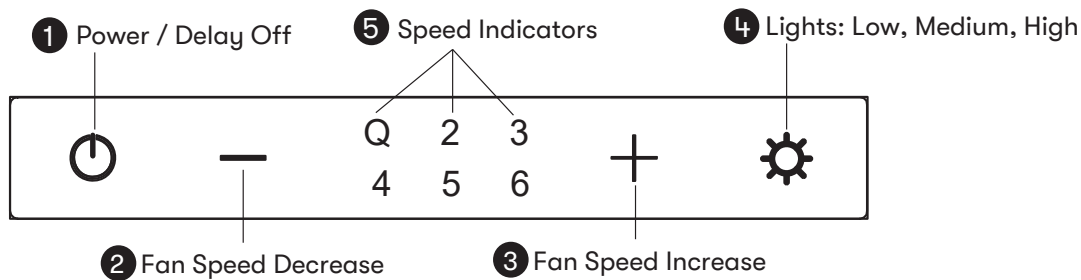
Mounting the Hood

Hood is designed for installation under a kitchen cabinet (FIG. B)

1. Prepare duct location on hood (vertical or horizontal) Refer to Pages 14 for ducting options.
2. Measure and cut out duct and electrical openings in cabinet or wall to match up with the hood. Ducting and electrical dimensions can be found on Pages 15-17. Note: Make sure duct opening is large enough to apply aluminum duct tape.
3. Reinforce cabinet bottom with wood strips if additional strengthening is required or if cabinets are framed.
4. Remove bottom panel from hood using a Philips head screwdriver to remove each of the screws. Also disconnect lighting harness by pressing in on the clip to release the lights from the internal wiring. Use caution when removing bottom panel. Take care not to scratch side panels during removal.
5. Install (4) wood screws to cabinet bottom by following the installation screw hole dimensions on Page 15-17. These screws will be used to secure the hood to the cabinet.
6. Lift hood onto screws located on cabinet bottom and lock into place. Make sure all (4) key-holes cover the screws. Tighten each screw to secure hood to cabinet. Note: For 30" Typhoon models you will need an 8" - 10" long shaft for your screwdriver/drill to reach the front screws.
7. Install electrical.
8. Install duct work and seal with aluminum duct tape.
9. Power up hood and check for leaks around duct tape and test all functions.
10. Reinstall bottom panel and re-connect lighting harness. Use caution when installing bottom panel. Take care not to scratch side panels during installation.
11. Slide residue cups into their openings on the bottom of the hood. Install safety grilles over each blower opening and secure with the two safety grille screws.

Features & Controls

AK21 Capacitive Touch



1 Power / Delay Off Button

- Button will turn power on and off for entire hood (fan and lights).
- Hood will remember the last speed and light level it was last turned off at.
(Example: Press button to turn off hood when on fan speed 3 and high lights. Press button again and the hood will turn back on at speed 3 and high lights.)

Delay Off

- With the fan on, press and hold the button for two seconds. The fan will change to speed Q and the 5 minute delay off timer will start.
- Speed indicators starting with level 5 will illuminate and blink in accordance with the time remaining until the fan and lights automatically turn off.
- Pressing button while delay off function is enabled will turn the hood off and cancel the delay off function.

ACT Verification

- Airflow Control Technology (ACT) allows the installer to set the maximum fan CFM to align with local codes and regulations.
- To verify the maximum fan CFM:
 - With hood off, hold the button for five seconds. If all speed level indicators illuminate = default maximum CFM. If speed Q, 2 & 3 level indicators illuminate = 390 maximum CFM. If speed Q & 2 level indicators illuminate = 290 maximum CFM.

2 Fan Speed Decrease Button

- Press this button to decrease fan speed. 6, 5, 4, 3, 2, Q (Quiet).
- If fan is off, press this button to turn on fan at last speed it was turned off at.

3 Fan Speed Increase Button

- Press this button to increase fan speed. Fan on, Q (Quiet), 2, 3, 4, 5, 6
- If fan is off, press this button to turn on fan at last speed it was turned off at.

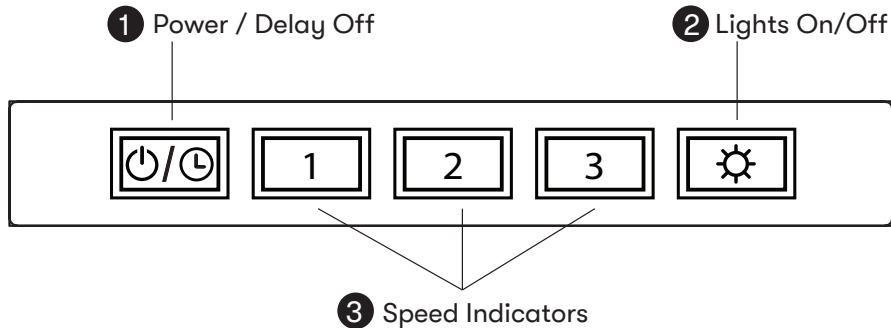
4 Lights Button

- Lights have three levels, low, medium and high.
- From off, press one time for low, two times for medium, and three times for high.

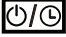

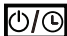
5 Speed Level Indicators

- Fan is six speed levels. Q (Quiet), 2, 3, 4, 5 and 6.

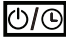


AK25 Electronic Touch




1 Power / Delay Off Button

-  Button will turn power on and off for entire hood (fan and lights.)
- Hood will remember the last speed and light level it was last turned off at.
(Example: Press  button to turn off hood when on fan speed 3 and high lights. Press  button again and the hood will turn back on at speed 3 and high lights.)

Delay Off

- With the fan on, press and hold the  button for two seconds. The fan will change to speed 1, the  button will blink on and off indicating the 5 minute delay off timer has started.
- Pressing  button while delay off function is enabled will turn the hood off and cancel the delay off function.

ACT Verification

- Airflow Control Technology (ACT) allows the installer to set the maximum fan CFM to align with local codes and regulations.
- To verify the maximum fan CFM:
 - With hood off, hold the  button for five seconds. If all three fan speed indicators illuminate = default maximum CFM. If speed level 1 and 2 indicators illuminate = 390 maximum CFM. If only speed level 1 indicator illuminates = 290 maximum CFM.

2 Lights Button

- Lights are two levels, high and low.
- From off, press one time for high. Press again for low. Press again to power lights off.

3 Speed Level Indicators

- Fan is three speed levels. 1 for low speed, 2 for medium speed, and 3 for high speed.

Features & Controls

AK65 Mechanical Slide

❶ Blower On/Off Speed Selection

❷ Lights Off/Dim/Bright



❶ BLOWER ON/OFF/SPEED SELECTION

0 is off, 1 is low speed, 2 is medium speed and 3 is high speed.

❷ LIGHTS OFF/DIM/BRIGHT

0 is off, 1 is dim, and 2 is bright.

* ACT (Airflow Control Technology) is not available on AK65

Hood & Filter Cleaning

Self-cleaning Feature

Zephyr Typhoon, Hurricane and Cyclone hoods are filter-less with a self cleaning feature. The centrifugal blower system automatically liquefies cooking residue in its internal housing. All hoods are equipped with dishwasher safe residue cups to collect cooking residue during the self cleaning function.

Cooking residues are often automatically liquefied and can accumulate in the residue cups from everyday use. Nevertheless, grease from cooking could also dry and adhere to the internal housing. Running the self clean function periodically will flush out accumulated residue in the range hood's internal housing.

Cleaning Frequency

Cleaning should be performed approximately once a month under normal usage of 1 hour per day. The hood may need to be cleaned more often if you cook heavily.

Detergent

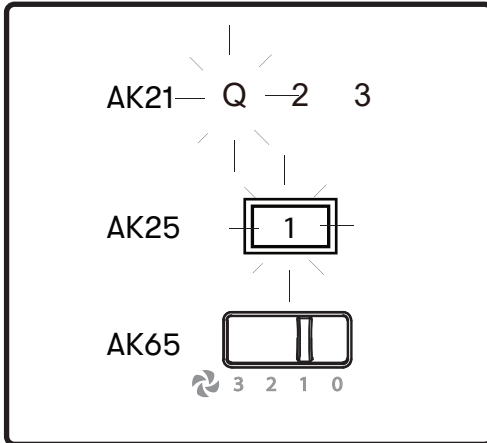
Use a grease cutting detergent such as Simple Green or 409.



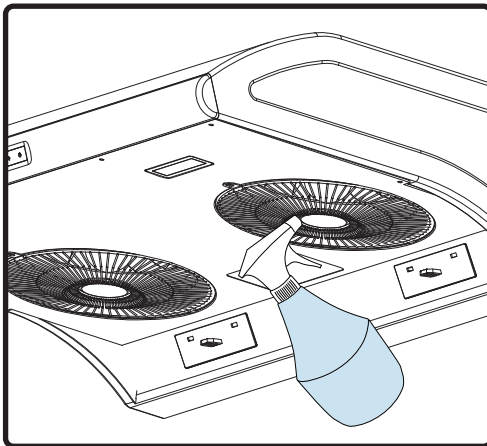
Maintenance

Hood & Filter Cleaning

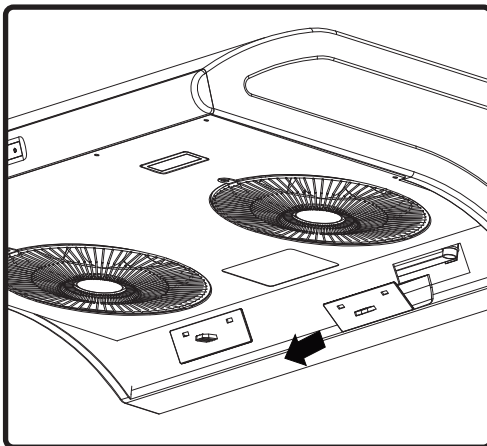
Cleaning Instructions



1. Power on blowers at Speed 1.



2. With nozzle on “spray”, squirt grease cutting detergent onto blower wheel blades 30 - 35 times. Repeat for each blower. Leave blower on for 10 minutes. Detergent will collect in the residue cups.



3. Remove residue cups. Clean residue cups and in dishwasher or clean by hand. Install residue cups after cleaning.

Hood & Filter Cleaning

Surface Maintenance

- ▶ Do not use corrosive detergents, abrasive detergents or oven cleaners.
- ▶ Do not use any product containing chlorine bleach or any product containing chloride.
- ▶ Do not use steel wool or abrasive scrubbing pads which will scratch and damage surface.

Cleaning Stainless Steel

Clean periodically with warm soapy water and clean cotton cloth or micro fiber cloth. Always rub in the direction of the stainless steel grain. To remove heavier grease build up use a liquid degreaser detergent.

After cleaning use a non-abrasive stainless steel polish/cleaners, to polish and buff out the stainless luster and grain. Always scrub lightly, with clean cotton cloth or micro fiber cloth and buff in the direction of the stainless steel grain.

Cleaning Black Stainless Steel

Clean periodically with warm soapy water and clean cotton cloth or micro fiber cloth. To remove heavier grease build up use a liquid degreaser detergent.

Due to a built-in layer of protective anti-smudge coating, do not use stainless steel polish/cleaners to buff out black stainless steel.

Maintenance

LumiLight LED & LED Light Strip

In the unlikely event that your LumiLight LED or LED light strip fails, please contact Zephyr to order replacement parts.

See the list of parts and accessories page for part numbers and contact information.

LED Removal (FIG. C & D):

1. Remove the screws from the bottom panel.
2. Disconnect LED light quick connector.
3. Push in the two side clips on the ends of the LED light.
4. Push LED light through the light panel opening.

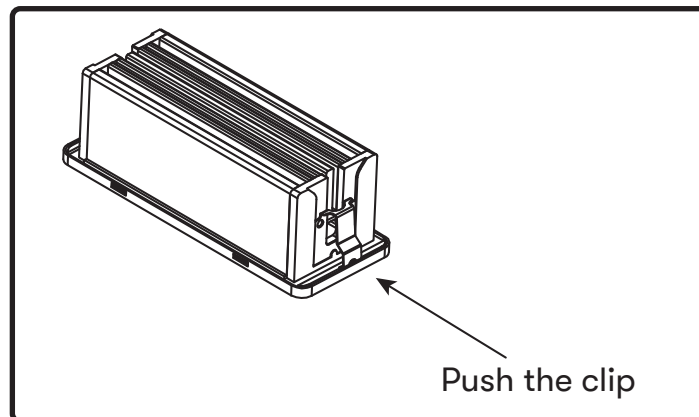


FIG. C

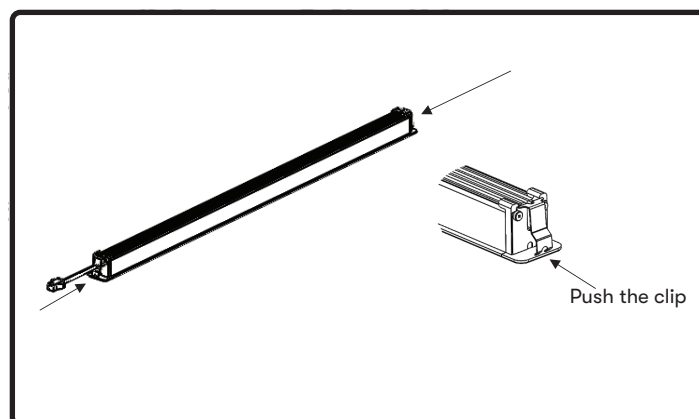


FIG. D

Airflow Control Technology (ACT™)

Some local codes limit the maximum amount of CFM a range hood can move. ACT™ allows you to control the maximum blower CFM of select Zephyr Ventilation range hoods without the need for expensive make up air kits. ACT™ enables the installer to easily set the maximum blower speed to one of two most commonly specified CFM levels; 390 or 290 CFM. The usage of ACT™ may not be necessary for your installation. Please check your local codes for CFM restrictions.



CAUTION



Hood must be disconnected from the main power prior to performing the conversion instructions listed below. Failure to do so could result in personal injury or damage to the product.



CAUTION



After re-positioning the jumper and powering on the hood, the CFM cannot be changed again.

Enabling ACT™

To enable ACT™:

1. Before hood installation, gain access to PC board by following the steps shown on FIG. D.
2. Change plastic jumper positioning as shown in FIG. E to set the desired maximum blower CFM.
3. Re-install PC board and continue with hood installation.
4. Remove the appropriate foil CFM sticker included with the hood literature and place inside the hood body below the wiring diagram or in another clearly visible location.

To verify if your installer enabled ACT™:

1. **Model Typhoon AK21:** With hood off, hold down the power button for 5 seconds. If all speed level indicators illuminate = default max. CFM, if speed Q, 2 & 3 level indicators illuminate = 390 max. CFM, if speed Q & 2 level indicators illuminate = 290 max. CFM.
Model Hurricane AK25: With hood off, hold down the power button for 5 seconds. If all speed level indicators illuminate = default max. CFM, if speed 1 & 2 level indicators illuminate = 390 max. CFM, if speed 1 level indicator illuminate = 290 max. CFM
2. When ACT™ is enabled, the number of blower speeds will be reduced as follows:
Model Typhoon AK21: 390 CFM = max. 3 speeds, 290 CFM = max. 2 speeds
Model Hurricane AK25: 390 CFM = max. 2 speeds, 290 CFM = max. 1 speed
3. There should also be a foil label located inside the hood body near the wiring diagram that indicates the blower CFM.

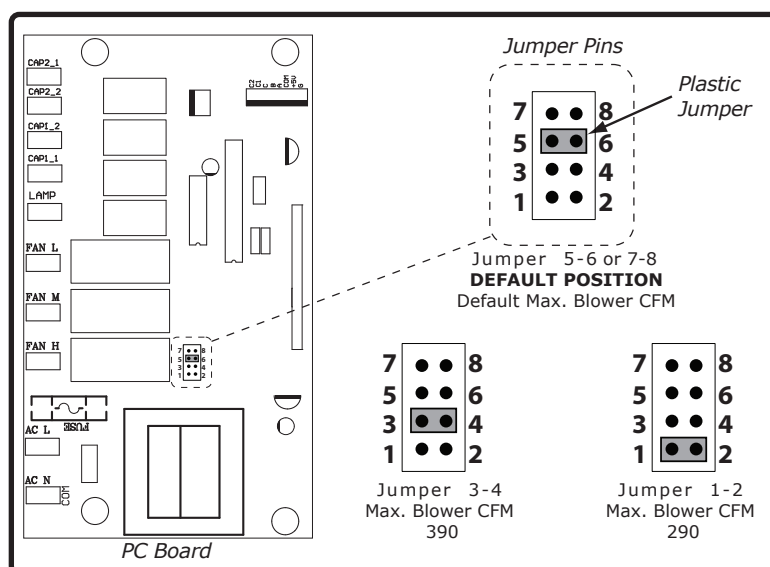


FIG. E

Accessing PC Board Instructions

NOTE: Take care when removing PC board as there are many wires connected to the board.

Model: Typhoon AK21

1. Remove bottom panel by 6 screws (FIG. D1) and disconnect LED light quick connectors.
2. Remove 3 screws securing PC board plate to access PC board (FIG. D2).

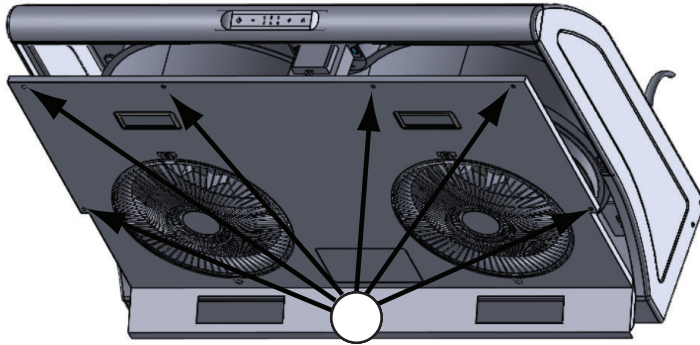


FIG. D1

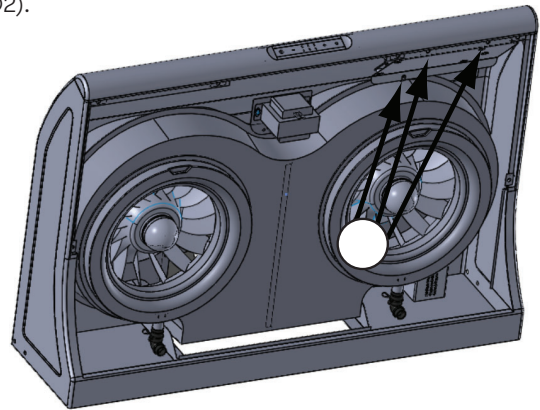


FIG. D2

Model: Hurricane AK25

1. Remove bottom panel by 3 screws (FIG. D3) and disconnect light socket connectors.
2. Remove PC board plate by 2 screws (FIG. D4).
3. Remove 2 screws securing PC board assembly to access PC board (FIG. D5).

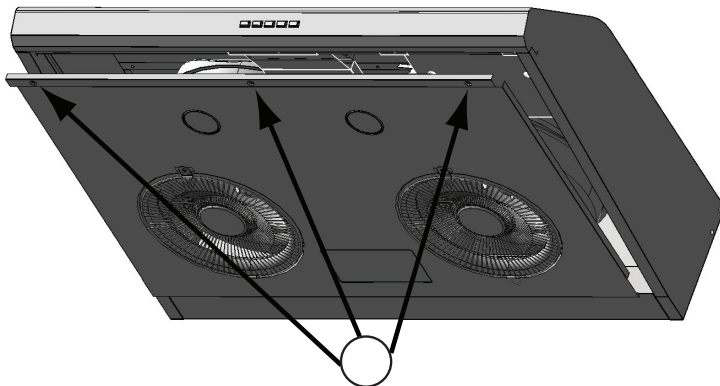


FIG. D3

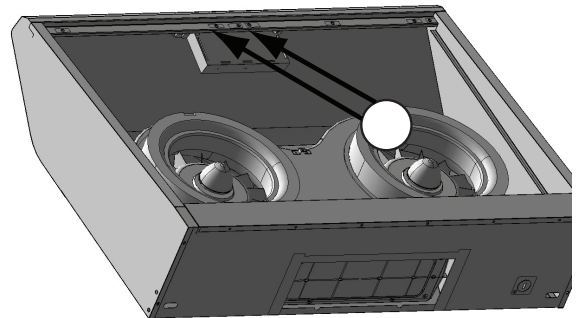


FIG. D4

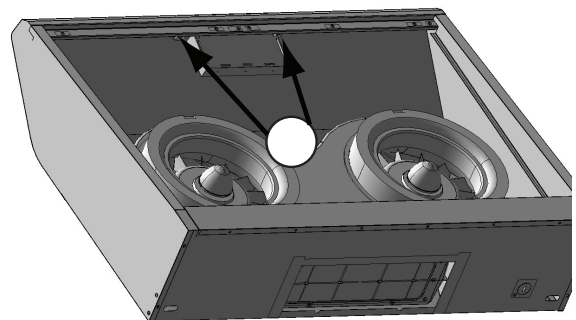
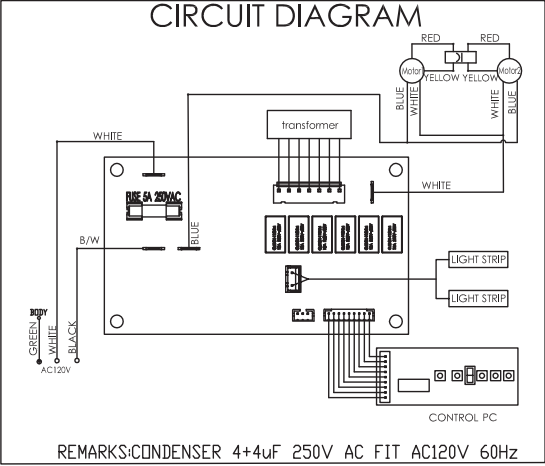


FIG. D5

Wiring Diagram

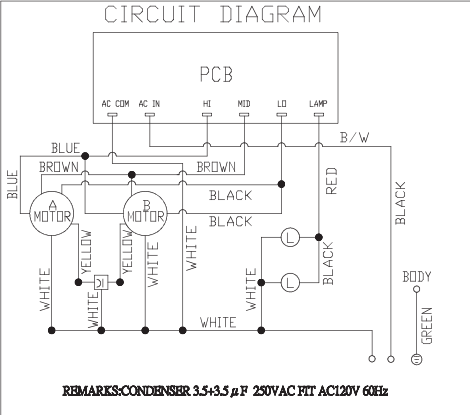
TYPHOON, HURRICANE & CYCLONE

UNDER-CABINET

Model: AK2100/36/42/48C Voltage 120V 60Hz 1.9A Power consumption Total: 217W Lamp: Max.6Wx2 Fan: 205W	 <p style="font-size: small; text-align: center;">REMARKS:CONDENSER 4+4uF 250V AC FIT AC120V 60Hz</p>
--	---

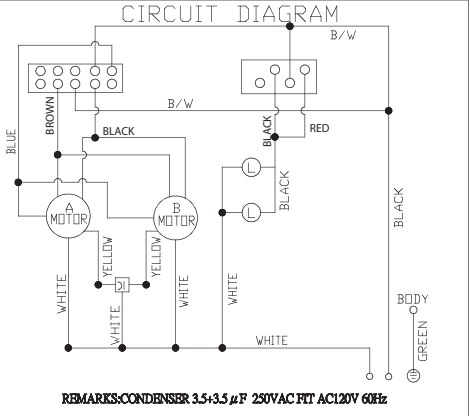
THERMALLY PROTECTED

Power consumption shown above for default 850 CFM blower configuration
 ACT 390 CFM - Fan Max. 160W @ 2.4A, ACT 290 CFM - Fan Max. 140W @ 2.2A

Model: AK2500/36B Voltage 120V 60HZ 2.4A Power consumption Total: 230W Lamp: Max.35Wx2 Fan: 160W	 <p style="font-size: small; text-align: center;">REMARKS:CONDENSER 3.5+3.5 μF 250VAC FIT AC120V 60Hz</p>
---	--

THERMALLY PROTECTED

Power consumption shown above for default 695 CFM blower configuration
 ACT 390 CFM - Fan Max. 140W @ 2.2A, ACT 290 CFM - Fan Max. 120W @ 2.1A

Model AK6500/36/42B Voltage 120V 60HZ 2.4A Power consumption Total: 230W Lamp: Max.35Wx2 Fan: 160W	 <p style="font-size: small; text-align: center;">REMARKS:CONDENSER 3.5+3.5 μF 250VAC FIT AC120V 60Hz</p>
---	---

THERMALLY PROTECTED

Possible Problem	Possible Cause	Solutions
After installation, the unit doesn't work.	The power source is not turned ON.	Make sure the circuit breaker and the unit's power is ON.
	The power line and the cable locking connector is not connecting properly.	Check the power connection with the unit is connected properly.
	The switch board or control board wirings are disconnected.	Make sure the wirings at the switch board and control board are connected properly.
	The switch board or control board is defective.	Change the switch board or control board.
Light works, but blower is not turning.	The blower cable is disconnected.	Connect the blower cable.
	Debris or obstruction in motor.	Remove the debris or obstruction.
	Motor defective or possibly seized.	Change the blower.
	Damaged capacitor.	Change the capacitor.
	The switch board or control board is defective.	Change defective part.
The unit is vibrating.	The blower is not secured in place.	Tighten the blower in place.
	Damaged blower wheel.	Replace the blower.
	The hood is not secured in place.	Check the installation of the hood.
The blower is working, but the lights are not.	The LED light connector is disconnected.	Connect the LED light connector.
	Defective LED light.	Change the LED light.
	The switch board or control board is defective.	Change the switch board or control board.
The hood is not venting out properly.	Using the wrong type of ducting. Flexible ducting can reduce air flow by up to 50%.	Change the ducting to solid rigid metal ducting.
	The hood might be hanging too high from the cook top.	Adjust the distance between the cook top and the bottom of the hood within 24" and 32" range.
	The wind from the opened windows or opened doors in the surrounding area are affecting the ventilation of the hood.	Close all the windows and doors to eliminate the outside wind flow.
	Blockage in the duct opening or ductwork.	Remove all the blocking from the duct work or duct opening.
The unit turns on by itself.	A spot light or kitchen lamp is shining directly onto the switch controls.	The switch controls are light sensitive. A direct light source onto the switch controls may disrupt switch functions.
Safety grille is vibrating.	Safety grille is loose.	Tighten safety grille screw.

List of Parts & Accessories

TYPHOON, HURRICANE
& CYCLONE

UNDER-CABINET

Description	Part Number
Replacement Parts	
LumiLight LED, 6W	ZOB0047
Light Bulb MR16 (GU10) 35W (each)	ZOB0023
Light Bulb Removal Suction Cup	15000004
Residue Cup (AK21)	56160003
Residue Cup (AK25 & AK65)	56160007
Safety Grille Stainless (AK21)	50220024
Safety Grille Black (AK21)	50220025
Safety Grille White (AK21)	50220026
Safety Grille Stainless (AK25 & AK65)	50220022
Safety Grille Black (AK25 & AK65)	50220027
Safety Grille White (AK25 & AK65)	50220023
Optional Accessories	
Bloom GU10 LED	ZOB0040
Make-up Air Kit (AK21 & AK25)	MUA008A
Make-up Air Kit (AK65)	MUA006A

To order parts, visit us online at <http://store.zephyronline.com> or call us at 1.888.880.8368.

Notes

CORE

TYPHOON, HURRICANE
& CYCLONE

UNDER-CABINET

**TO OBTAIN SERVICE UNDER WARRANTY OR FOR ANY SERVICE RELATED QUESTIONS, please call:
1-888-880-8368**

Zephyr Ventilation, LLC (referred to herein as “we” or “us”) warrants to the original consumer purchaser (referred to herein as “you” or “your”) of Zephyr products (the “Products”) that such Products will be free from defects in materials or workmanship as follows:

Three Year Limited Warranty for Parts: For three years from the date of your original purchase of the Products, we will provide, free of charge, Products or parts (including LED light bulbs, if applicable) to replace those that failed due to manufacturing defects subject to the exclusions and limitations below. We may choose, in our sole discretion, to repair or replace parts before we elect to replace the Products.

One Year Limited Warranty for Labor: For one year from the date of your original purchase of the Products, we will provide, free of charge, the labor cost associated with repairing the Products or parts to replace those that failed due to manufacturing defects subject to the exclusions and limitations below. After the first year from the date of your original purchase, you are responsible for all labor costs associated with this warranty.

Warranty Exclusions: This warranty covers only repair or replacement, at our option, of defective Products or parts and does not cover any other costs related to the Products including but not limited to: (a) normal maintenance and service required for the Products and consumable parts such as fluorescent, incandescent or halogen light bulbs, mesh and charcoal filters and fuses; (b) any Products or parts which have been subject to freight damage, misuse, negligence, accident, faulty installation or installation contrary to recommended installation instructions, improper maintenance or repair (other than by us); (c) commercial or government use of the Products or use otherwise inconsistent with its intended purpose; (d) natural wear of the finish of the Products or wear caused by improper maintenance, use of corrosive and abrasive cleaning products, pads, and oven cleaner products; (e) chips, dents or cracks caused by abuse or misuse of the Products; (f) service trips to your home to teach you how to use the Products; (g) damage to the Products caused by accident, fire, floods, acts of God; or (h) Custom installations or alterations that impact serviceability of the Products. If you are outside our service area, additional charges may apply for shipping costs for warranty repair at our designated service locations and for the travel cost to have a service technician come to your home to repair, remove or reinstall the Products. After the first year from the date of your original purchase, you are also responsible for all labor costs associated with this warranty. All Products must be installed by a qualified professional installer to be eligible for warranty repairs or service.

Limitations of Warranty. OUR OBLIGATION TO REPAIR OR REPLACE, AT OUR OPTION, SHALL BE YOUR SOLE AND EXCLUSIVE REMEDY UNDER THIS WARRANTY. WE SHALL NOT BE LIABLE FOR INCIDENTAL, CONSEQUENTIAL OR SPECIAL DAMAGES ARISING OUT OF OR IN CONNECTION WITH THE USE OR PERFORMANCE OF THE PRODUCTS. THE EXPRESS WARRANTIES IN THE PRECEDING SECTION ARE EXCLUSIVE AND IN LIEU OF ALL OTHER EXPRESS WARRANTIES. WE HEREBY DISCLAIM AND EXCLUDE ALL OTHER EXPRESS WARRANTIES FOR THE PRODUCTS, AND DISCLAIM AND EXCLUDE ALL WARRANTIES IMPLIED BY LAW, INCLUDING THOSE OF MERCHANTABILITY AND FITNESS FOR A PARTICULAR PURPOSE.

Some states or provinces do not allow limitations on the duration of an implied warranty or the exclusion or limitation of incidental or consequential damages, so the above limitations or exclusions may not apply to you. To the extent that applicable law prohibits the exclusion of implied warranties, the duration of any applicable implied warranty is limited to the same three-year and one-year periods described above if permitted by applicable law. Any oral or written description of the Products is for the sole purpose of identifying the Products and shall not be construed as an express warranty. Prior to using, implementing or permitting use of the Products, you shall determine the suitability of the Products for the intended use, and you shall assume all risk and liability whatsoever in connection with such determination. We reserve the right to use functionally equivalent refurbished or reconditioned parts or Products as warranty replacements or as part of warranty service. This warranty is not transferable from the original purchaser and only applies to the consumer residence where the Product was originally installed located in the United States and Canada. This warranty is not extended to resellers.

To Obtain Service Under Limited Warranty: To qualify for warranty service, you must: (a) notify us at the address or telephone number stated below within 60 days of the discovery of the defect; (b) give the model number and serial number; and (c) describe the nature of any defect in the Product or part. At the time of the request for warranty service, you must present evidence of your proof of purchase and proof of the original purchase date. If we determine that the warranty exclusions listed above apply or if you fail to provide the necessary documentation to obtain service, you will be responsible for all shipping, travel, labor and other costs related to the services. This warranty is not extended or restarted upon warranty repair or replacements.

Please check our website for any additional Product information, www.zephyronline.com.

Zephyr Ventilation Service Department, 2277 Harbor Bay Parkway, Alameda, CA 94502 1-888-880-8368

MAY20.0401

Product Registration

Congratulations on the purchase of your Zephyr product! Please take a moment to register your new Zephyr product at www.zephyronline.com/registration

IT'S IMPORTANT

Prompt registration helps in more ways than one.

- Ensures warranty coverage should you need service.
- Ownership verification for insurance purposes.
- Notification of product changes or recalls.



Zephyr Ventilation | 2277 Harbor Bay Pkwy. | Alameda, CA 94502 | 1.888.880.8368

ZEPHYR

WWW.ZEPHYRONLINE.COM

Typhoon

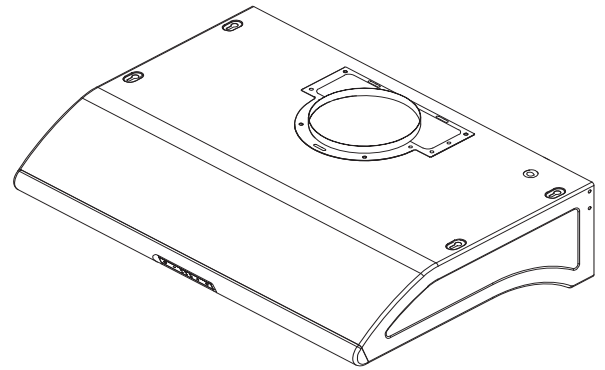
AK2100CS, B, W

AK2136CS, B, W

AK2142CS

AK2148CS

ACT
AirFlow Control Technology

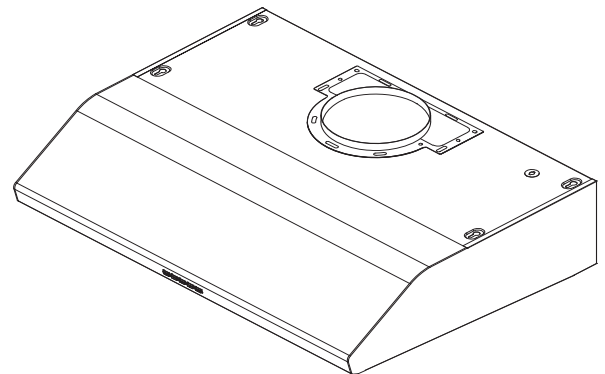


Hurricane

AK2500BS, B, W

AK2536BS, B, W

ACT
AirFlow Control Technology

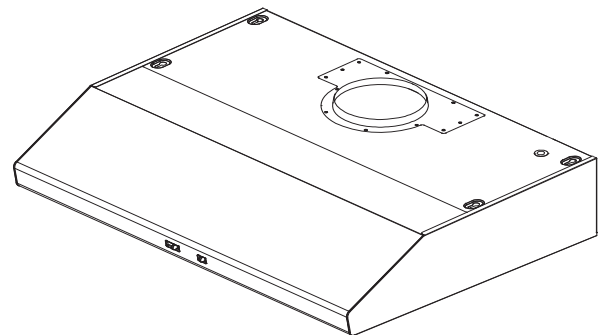


Cyclone

AK6500BS, B, BS, W

AK6536BS, B, BS, W

AK6542BS



EN Use, Care, and Installation Guide

FR Guide d'utilisation, d'entretien et d'installation



	Page
Consignes de sécurité	4-9
Types d'avertissements de sécurité	4
Sécurité générale.....	5-8
Opération	8
Exigences électriques	8-9
Liste de matériel	10
Instructions d'installation	11-20
Feuille de calcul pour le conduit d'aération.....	11
Hauteur de montage, dégagement et gaine	12-13
Options de conduits	14
AK21 Spécifications de la hotte	15
AK25 Spécifications de la hotte	16
AK26 Spécifications de la hotte	17
Fourniture électrique	18
Raccord de câble	18
Préparation des conduits verticaux rectangulaires	19
Préparation des conduits horizontaux rectangulaires	20-21
Montage de la hotte	22-23
Fonctionnalités et commandes	24-26
AK21 Tactile capacitif.....	24
AK25 Touch électronique	25
AK65 Glissière mécanique	26
Entretien	27-30
Nettoyage de la hotte et du filtre.....	27-29
LumiLight LED et bande lumineuse LED.....	30
Conversion ACT™	31-33
Technologie de contrôle du débit d'air (ACT™).....	31
Activer ACT™	32-33
Schéma de câblage	34
Dépannage	35
Liste des pièces et accessoires	36
Remarques	37
Garantie limitée	38-39
Enregistrement du produit	40

Consignes de sécurité

Votre sécurité et celle des gens qui vous entourent sont très importantes.

Ce manuel contient de nombreux messages de sécurité relatifs à votre appareil. Lisez tous les messages et conformez-vous-y en tout temps.



Voici le symbole d'alerte à la sécurité. Ce symbole vous informe de possibles dangers qui pourraient entraîner de graves lésions corporelles ou la mort. Tous les messages de sécurité suivent le symbole d'alerte à la sécurité et comportent les mots « **DANGER** », « **AVERTISSEMENT** » ou « **ATTENTION** ».

 **DANGER** 

Le mot « danger » signifie que le fait de ne pas tenir compte de l'énoncé de sécurité peut entraîner une blessure grave ou la mort.

 **AVERTISSEMENT** 

Le mot « avertissement » signifie que le fait de ne pas tenir compte de l'énoncé de sécurité peut entraîner des dommages importants au produit, une lésion corporelle grave ou la mort.

 **ATTENTION** 

Le mot « attention » signifie que le fait de ne pas tenir compte de l'énoncé de sécurité peut entraîner une lésion corporelle mineure ou modérée, ou encore des dommages au produit ou à la propriété.

LISEZ ET CONSERVEZ CES INSTRUCTIONS

Sécurité générale

**ATTENTION**

Pour réduire le risque d'incendie ou de choc électrique, n'utilisez pas ce ventilateur avec un dispositif de commande à semi-conducteurs.

**ATTENTION**

AVERTISSEMENT - POUR RÉDUIRE LES RISQUES D'INCENDIE, DE CHOC ÉLECTRIQUE OU DE BLESSURES AUX PERSONNES, RESPECTEZ LES SUIVANTS:

- a) N'utilisez cet appareil que de la manière prévue par le fabricant. Si vous avez des questions, contactez le fabricant.
- b) Avant l'entretien ou le nettoyage de l'unité, coupez l'alimentation au panneau de service et verrouillez les moyens de déconnexion de service pour éviter toute mise sous tension accidentelle. Lorsque le moyen de déconnexion de service ne peut pas être verrouillé, fixez solidement un dispositif d'avertissement bien visible, tel qu'une étiquette, au panneau de service.

**AVERTISSEMENT**

Pour Une Ventilation Générale Uniquement. Ne Pas Utiliser Pour Évacuer Des Matières Et Des Vapeurs Dangereuses Ou Explosives. Soyez prudent lorsque vous utilisez des produits de nettoyage pour détergents. Convient pour une utilisation dans la zone de cuisson domestique.

Consignes de sécurité

LISEZ ET CONSERVEZ CES INSTRUCTIONS



ATTENTION



AVERTISSEMENT - POUR RÉDUIRE LE RISQUE D'INCENDIE DE GRAISSE SUR LE HAUT DE CUISINIÈRE:

- a) Ne laissez jamais les unités de surface sans surveillance à des réglages élevés. Les débordements provoquent de la fumée et des débordements graisseux qui peuvent s'enflammer. Chauffer les huiles lentement à des réglages faibles ou moyens.
- b) Allumez toujours la hotte lorsque vous cuisinez à feu vif ou lorsque vous flambez des aliments. (c'est-à-dire Crêpes Suzette, Cerises Jubilee, Boeuf au Poivre Flambé »).
- c) Nettoyez fréquemment les ventilateurs de ventilation. La graisse ne doit pas s'accumuler sur le ventilateur ou le filtre.
- d) Utilisez une taille de casserole appropriée. Utilisez toujours des ustensiles de cuisine adaptés à la taille de l'élément de surface.



ATTENTION



AVERTISSEMENT - POUR RÉDUIRE LE RISQUE DE BLESSURE DES PERSONNES EN CAS D'INCENDIE DE GRAISSE SUR LE HAUT DE LA CUISINIÈRE, RESPECTEZ CE QUI SUIT:

- a) DES FLAMMES PLUS INTELLIGENTES avec un couvercle bien ajusté, une plaque à biscuits ou un plateau en métal, puis éteignez le brûleur. FAITES ATTENTION À ÉVITER LES BRÛLURES. Si les flammes ne s'éteignent pas immédiatement, ÉVACUER ET APPELER LE DÉPARTEMENT DES INCENDIES.
- b) NE JAMAIS RAMASSER UNE PLAQUE ENFLAMME - Vous pourriez être brûlé.
- c) N'UTILISEZ PAS D'EAU, ni de torchons ou de serviettes humides - une violente explosion de vapeur en résultera.
- d) Utilisez un extincteur UNIQUEMENT si:
 - 1) Vous savez que vous possédez un extincteur de classe ABC et vous savez déjà comment l'utiliser.
 - 2) Le feu est petit et contenu dans la zone où il a commencé.
 - 3) Le service d'incendie est appelé.
 - 4) Vous pouvez combattre le feu dos à une sortie

«Basé sur "Kitchen Firesafety Tips" publié par la NFPA.

LISEZ ET CONSERVEZ CES INSTRUCTIONS



AVERTISSEMENT - POUR RÉDUIRE LES RISQUES D'INCENDIE, DE DÉCHARGE ÉLECTRIQUE OU DE BLESSURES AUX PERSONNES, RESPECTEZ CE QUI SUIT:

- a) Les travaux d'installation et le câblage électrique doivent être effectués par des personnes qualifiées conformément à tous les codes et normes applicables, y compris la construction résistant au feu.
- b) Une quantité d'air suffisante est nécessaire pour une combustion et une évacuation correctes des gaz par le conduit de fumée (cheminée) de l'équipement à combustible pour empêcher le refoulement. Suivez les directives et les normes de sécurité du fabricant de l'équipement de chauffage, telles que celles publiées par la National Fire Protection Association (NFPA), l'American Society for Heating, Refrigeration and Air Conditioning Engineers (ASHRAE) et les autorités locales du code.
- c) Lorsque vous coupez ou percez dans un mur ou un plafond, n'endommagez pas le câblage électrique et les autres services publics cachés.
- d) Les ventilateurs à conduit doivent toujours être ventilés vers l'extérieur.
- e) Si cet appareil doit être installé au-dessus d'une baignoire ou d'une douche, il doit être marqué comme approprié pour l'application et être connecté à un circuit de dérivation protégé par un disjoncteur de fuite à la terre (GFCI).



LISEZ ET CONSERVEZ CES INSTRUCTIONS



- ▶ Pour réduire les risques d'incendie et pour évacuer correctement l'air extérieur, ne pas évacuer l'air évacué dans les espaces à l'intérieur des murs, plafonds, greniers, vides sanitaires ou garages.
- ▶ Ne pas utiliser sur un gril extérieur.
- ▶ Pour une utilisation en intérieur uniquement.
- ▶ Cette hotte n'est pas destinée à être utilisée comme étagère.

Opération

- ▶ Laissez toujours les grilles de sécurité et les filtres en place. Sans ces composants, les soufflantes en fonctionnement pourraient s'accrocher aux cheveux, aux doigts et aux vêtements amples.
- ▶ Le fabricant décline toute responsabilité en cas de non-respect des instructions données ici pour l'installation, la maintenance et l'utilisation appropriée du produit. Le fabricant décline en outre toute responsabilité en cas de blessure due à une négligence et la garantie de l'unité expire automatiquement en raison d'un mauvais entretien.

REMARQUE: veuillez consulter www.zephyronline.com pour les révisions avant d'effectuer tout travail personnalisé.

Exigences électriques

Important:

Respectez tous les codes et ordonnances en vigueur.

Il est de la responsabilité du client d'en prendre connaissance ci-dessous:

- ▶ Pour contacter un installateur électrique qualifié.
- ▶ Pour garantir que l'installation électrique est adéquate et conforme au National Electrical Code, ANSI / NFPA 70 dernière édition * ou aux normes CSA C22.1-94, Code canadien de l'électricité, partie 1 et C22.2 No.0-M91 - dernière édition ** et tous les codes et ordonnances locaux.

LISEZ ET CONSERVEZ CES INSTRUCTIONS

- ▶ Si les codes le permettent et qu'un fil de terre séparé est utilisé, il est recommandé qu'un électricien qualifié détermine que le chemin de terre est adéquat.
- ▶ Ne pas mettre à la terre un tuyau de gaz.
- ▶ Vérifiez auprès d'un électricien qualifié si vous n'êtes pas sûr que la hotte est correctement mise à la terre.
- ▶ Ne pas avoir de fusible dans le circuit neutre ou de terre.
- ▶ Cet appareil nécessite une alimentation électrique de 120 V à 60 Hz et est connecté à un circuit de dérivation individuel correctement mis à la terre protégé par un disjoncteur de 15 ou 20 ampères ou un fusible temporisé. Le câblage doit être à 2 fils avec mise à la terre. Veuillez également vous référer au schéma électrique du produit.
- ▶ Un connecteur de verrouillage de câble (non fourni) peut également être requis par les codes locaux. Vérifiez les exigences locales, achetez et installez le connecteur approprié si nécessaire.

* National Fire Protection Association Batterymarch Park, Quincy, Massachusetts 02269

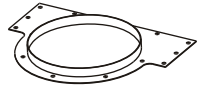
** CSA International 8501 East Pleasant Valley Road, Cleveland, Ohio 44131-5575



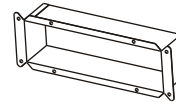
Pièces fournies

Quantité	Partie
1	Hotte
2	Grilles de sécurité
2	LED LumiLight (AK21 seulement)
2	Ampoules halogènes, 35W (AK25 & AK65 seulement)
1	Trousse de quincaillerie

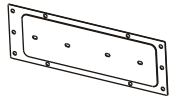
Adaptateur circulaire de 7 po (AK21, AK25)
Adaptateur circulaire de 6 po (AK65 –
préinstallé sur le dessus de la hotte)



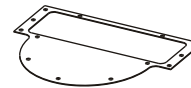
Collier de départ rectangulaire
de 3-1/4 po x 10 po



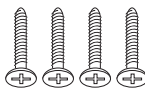
Couvercle rectangulaire de 3-1/4 po x 10 po
(préinstallé à l'arrière de la hotte)



Adaptateur vertical rectangulaire
de 3-1/4 po x 10 po



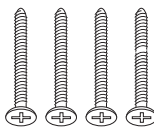
#6 x 1 po (4)



Vis de grille de
protection (2)



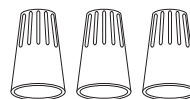
#6 x 1-1/2 po (4)



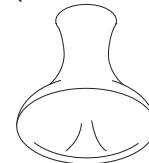
Rondelle (4)



Capuchons de connexion (3)

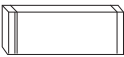

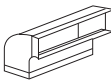
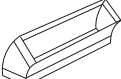

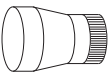
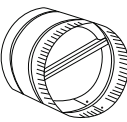
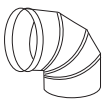



Ventouse (1)
(AK25 et AK65)

**Pièces non fournies**

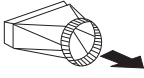
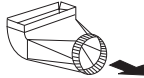

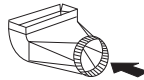
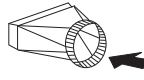
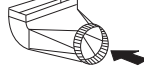
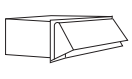
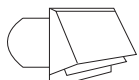

Conduit, conduit et tous les outils d'installation
Amortisseur de backdraft
Tournevis cruciforme avec une tige d'au moins 8 po de long (requis pour installer l'AK2100)
Raccord de câble (si exigé par les codes en vigueur)

Feuille de calcul pour le conduit d'aération

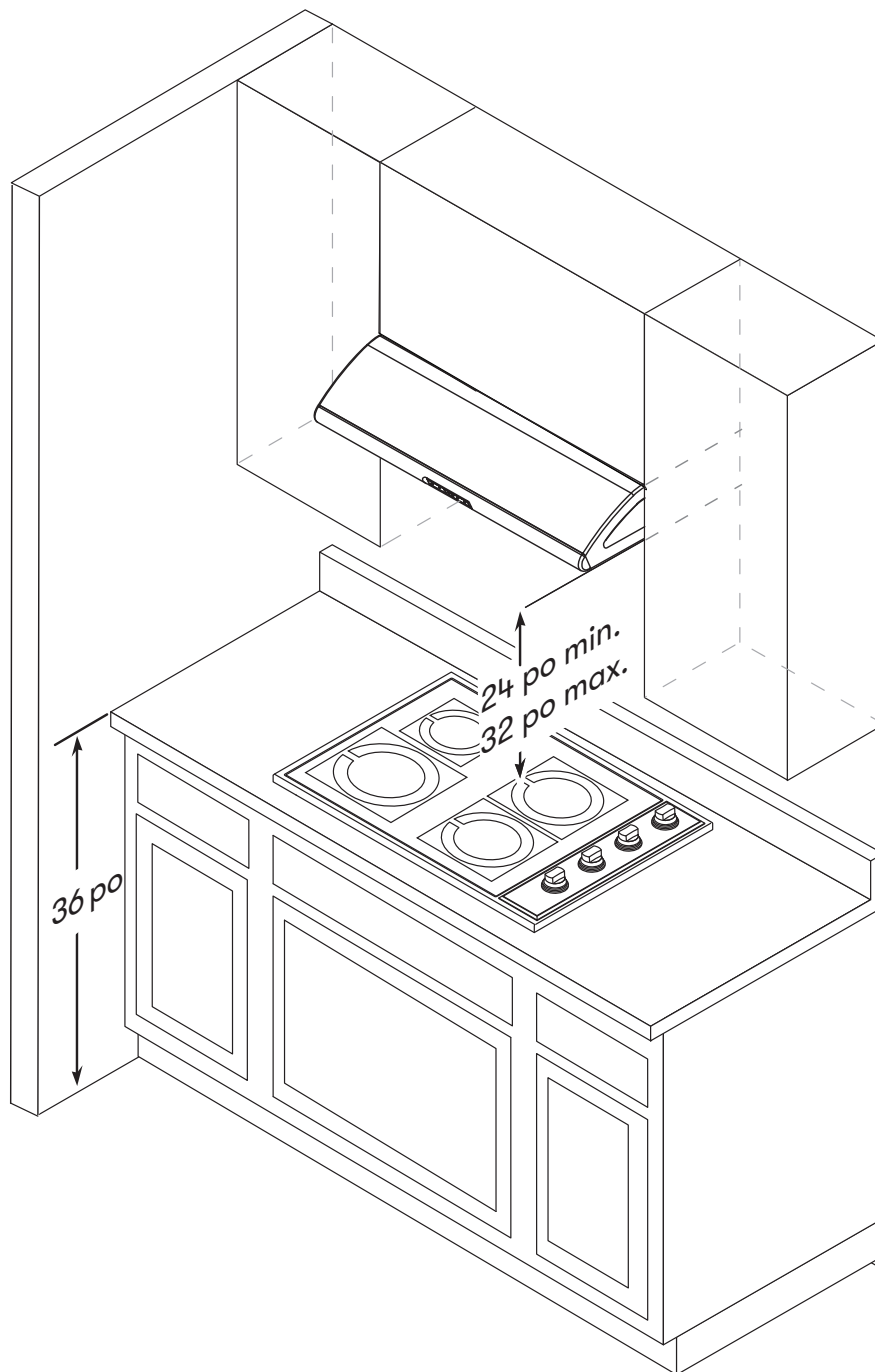
Pièces de conduit		Longueur x	Nombre utilisé	=	Total
	3-1/4" x 10" rect., droit	1 pi	x () =		pi
	6", 7", 8", 10" circ., droit	1 pi	x () =		pi
	3-1/4" x 10" rect., coude à 90°	15 pi	x () =		pi
	3-1/4" x 10" rect., coude à 45°	9 pi	x () =		pi
	3-1/4" x 10" rect., coude plat à 90°	24 pi	x () =		pi
	7" to 6" or 8" to 7" circ. reducteur conique	25 pi	x () =		pi
	6", 7", 8" circ. bouchone de l'air	15 pi	x () =		pi
	6", 7", 8", 10" circ., coude à 90°	15 pi	x () =		pi
	6", 7", 8", 10" coude à 45°	9 pi	x () =		pi
Sous-total - colonne 1 =					pi

Longueur maximale du conduit d'aération :

Pour un mouvement d'air convenable, la longueur totale d'un conduit d'aération ne devrait pas compter plus que l'équivalent de 150 pieds.

Pièces de conduit		Longueur x	Nombre utilisé	=	Total
	6" circ. à rect. de 3-1/4" x 10"	5 pi	x () =		pi
	6" circ. à rect. de 3-1/4" x 10", coude à 90°	20 pi	x () =		pi
	6" circ. à rect. de 3-1/4" x 10"	1 pi	x () =		pi
	6" circ. à rect. de 3-1/4" x 10", coude à 90°	16 pi	x () =		pi
	7" circ. à rect. de 3-1/4" x 10"	8 pi	x () =		pi
	7" circ. à rect. de 3-1/4" x 10", coude à 90°	23 pi	x () =		pi
	3-1/4" x 10" embout mural rect./registre	30 pi	x () =		pi
	6", 7", 8", 10" embout mural circ./registre	30 pi	x () =		pi
	6", 7", 8", 10" chapeau de toiture circ.	30 pi	x () =		pi
Sous-total - colonne 2 =					pi
Sous-total - colonne 1 =					pi
Total du conduit =					pi

Hauteur de montage, dégagement et gaine



Hauteur de montage, dégagement et gaine

Un minimum de 6" rond pour AK65 et 7" rond pour AK21 et AK25 ou un conduit rectangulaire de 3-1 / 4" x 10" doit être utilisé pour maintenir une efficacité maximale du flux d'air pour les conduits verticaux. Pour les conduits horizontaux, un conduit rectangulaire de 3-1 / 4" x 10" est la taille minimale.

Utilisez toujours des conduits métalliques de type rigide uniquement. Les conduits flexibles pourraient restreindre le débit d'air jusqu'à 50%.

Utilisez la feuille de calcul de calcul pour calculer la longueur totale de gaine disponible lorsque vous utilisez des coudes, des transitions et des bouchons.

TOUJOURS, lorsque cela est possible, réduire le nombre de transitions et de virages. Si un long trajet de conduit est requis, augmentez la taille du conduit de 6" à 7" ou de 7" à 8".

Si des virages ou des transitions sont nécessaires: Installer aussi loin de l'ouverture du conduit et aussi éloigné que possible entre les deux transitions.

La hauteur minimale de montage entre le haut de la cuisinière et le bas de la hotte ne doit pas être inférieure à 24 po. La hauteur de montage maximale ne doit pas dépasser 32 po.

Il est important d'installer la hotte à la bonne hauteur de montage. Les capots montés trop bas peuvent entraîner des dommages dus à la chaleur et un risque d'incendie; tandis que les hottes montées trop haut seront difficiles à atteindre et perdront leurs performances et leur efficacité.


Si disponible, reportez-vous également aux exigences de dégagement en hauteur du fabricant de la cuisinière et à la hauteur de montage de la hotte recommandée au-dessus de la cuisinière. Vérifiez toujours vos codes locaux pour toute différence.

Kit d'extension de couverture de conduit disponible pour des hauteurs de plafond jusqu'à 12 pieds. Accédez à la page des pièces et accessoires pour les références et les informations de commande.


Pour les dommages liés à l'expédition et à l'installation:

- ▶ Veuillez inspecter complètement l'unité pour déceler tout dommage avant l'installation.
- ▶ Si l'appareil est endommagé lors de l'expédition, renvoyez-le au magasin où il a été acheté pour réparation ou remplacement.
- ▶ Si l'appareil est endommagé par le client, la réparation ou le remplacement est à la charge du client.
- ▶ Si l'unité est endommagée par l'installateur (si autre que le client), la réparation ou le remplacement doit être effectuée par arrangement entre le client et l'installateur.

Options de conduits

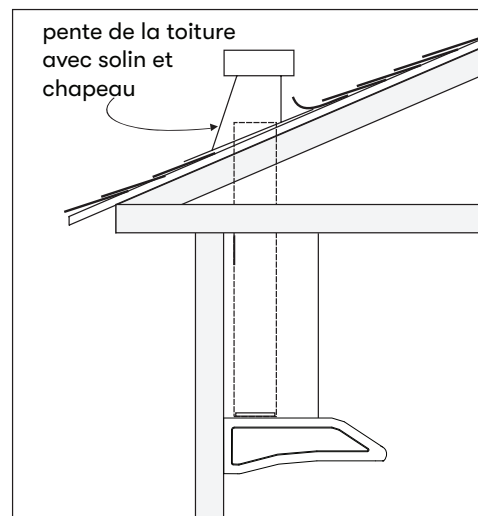
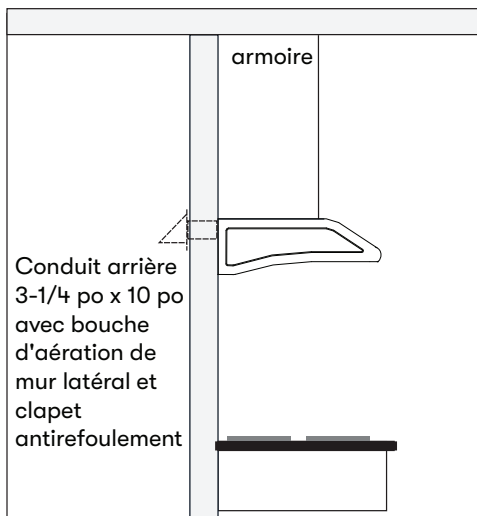
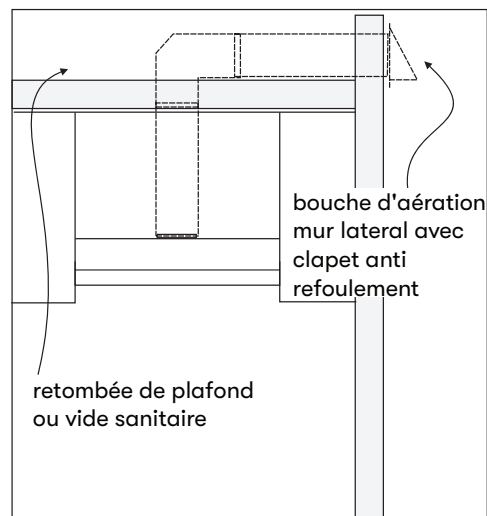
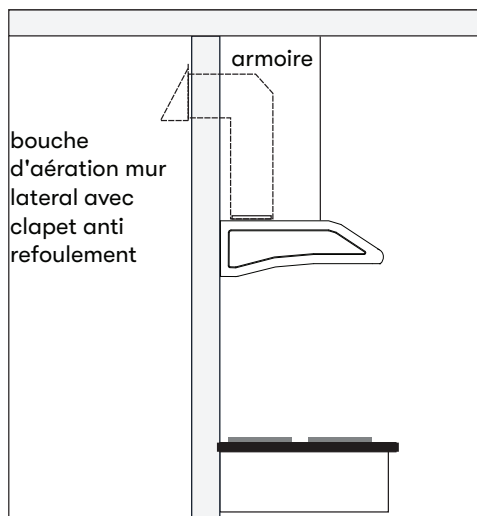


ATTENTION

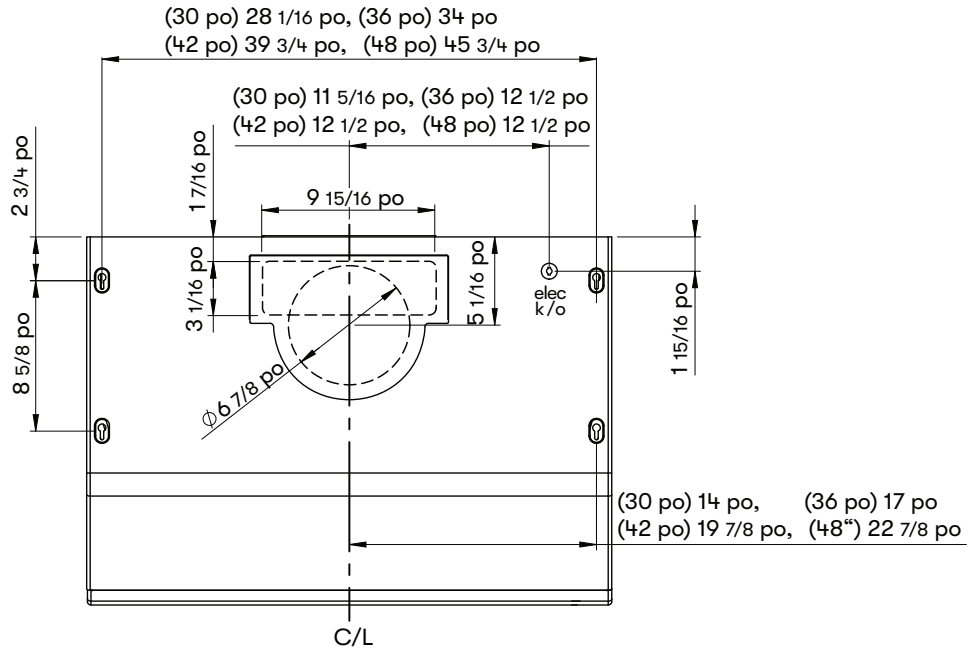


Risque d'incendie: NE JAMAIS évacuer l'air ni terminer de conduits dans des espaces entre les murs, les vides sanitaires, les plafonds, les greniers ou les garages. Tout l'échappement doit être canalisé vers l'extérieur, à moins d'utiliser l'option de recirculation.

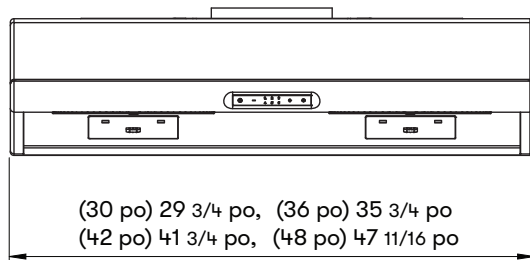
- ▶ Utilisez uniquement des conduits métalliques rigides à paroi simple.
- ▶ Fixez toutes les connexions avec des vis à tôle et collez tous les joints avec du ruban argenté ou du ruban adhésif.



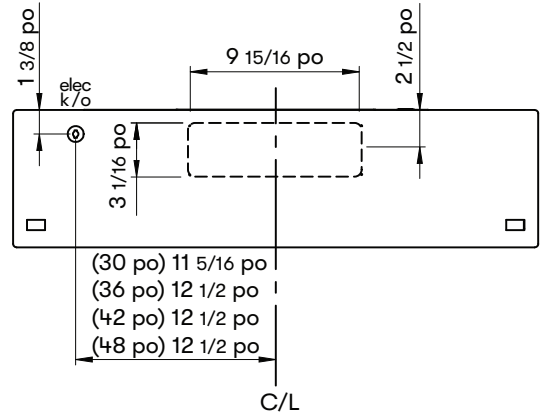
AK21 Spécifications de la hotte



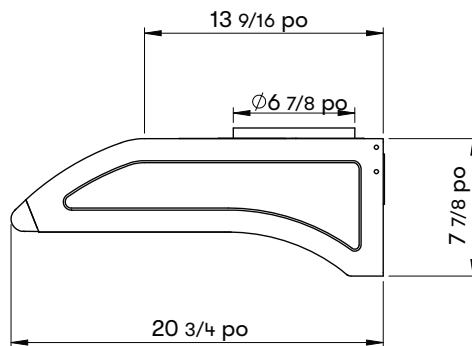
DESSUS



DEVANT



ARRIÈRE



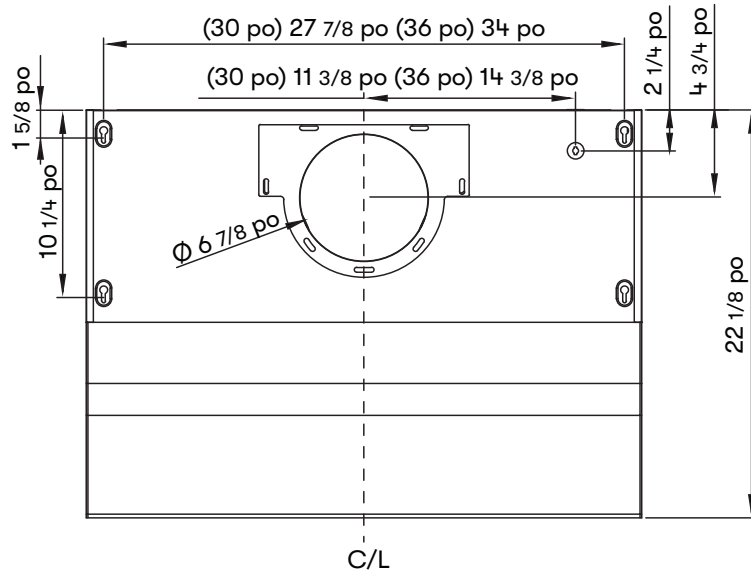
CÔTÉ

Instructions d'installation

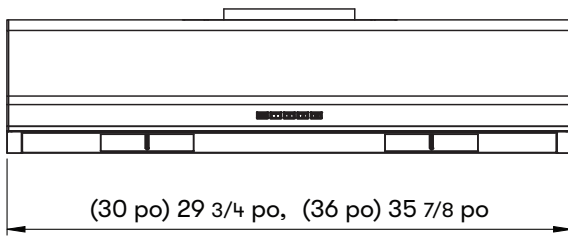
TYPHOON, HURRICANE & CYCLONE

SOUS-ARMOIRE

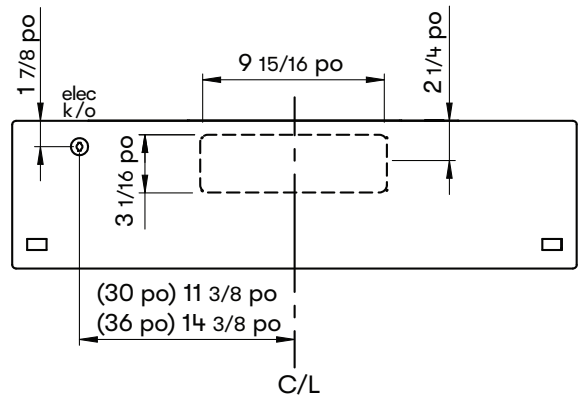
AK25 Spécifications de la hotte



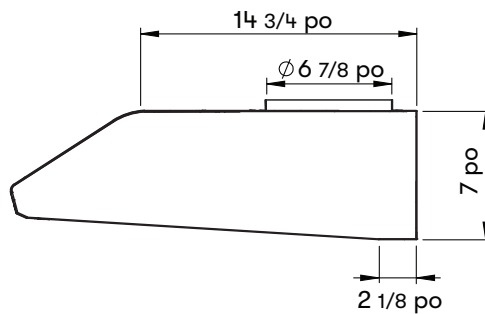
DESSUS



DEVANT

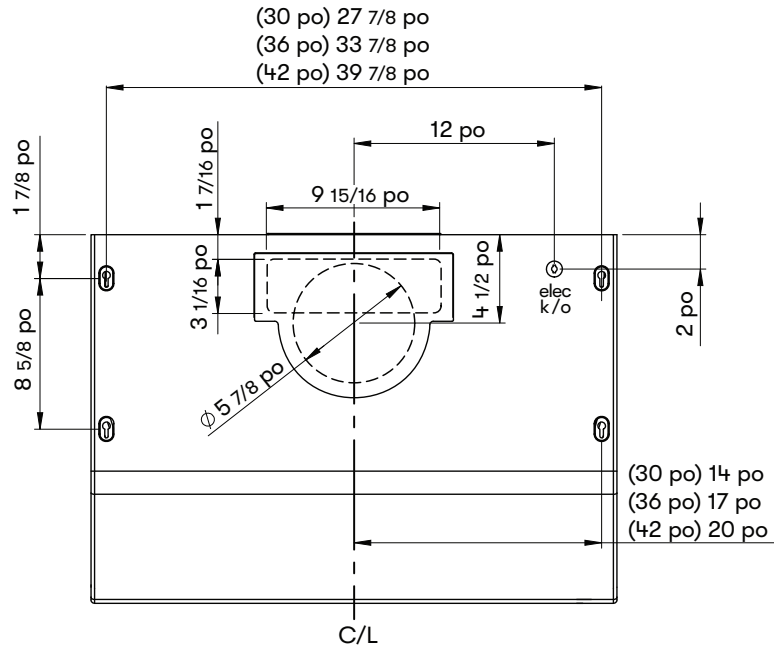


ARRIÈRE

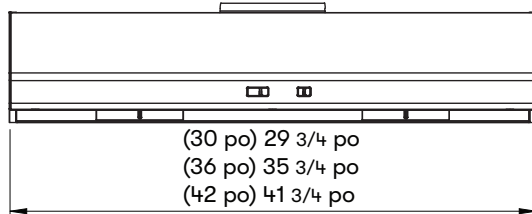


CÔTÉ

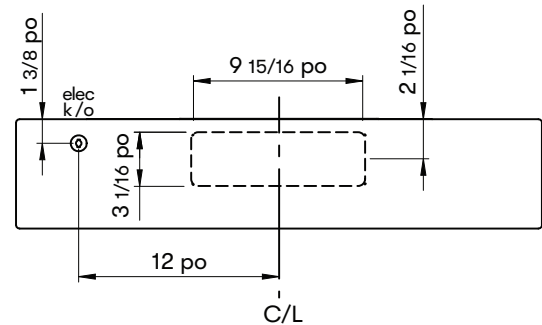
AK65 Spécifications de la hotte



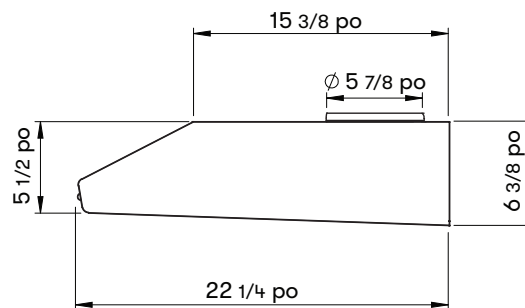
DESSUS



DEVANT



ARRIÈRE



CÔTÉ

Fourniture électrique



ATTENTION



Le câblage électrique doit être effectué par des personnes qualifiées conformément à tous les codes et normes applicables. Cette hotte doit être correctement mise à la terre. Coupez l'alimentation électrique à l'entrée de service avant le câblage.

Pour votre sécurité personnelle, retirez le fusible de la maison ou ouvrez le disjoncteur avant de commencer l'installation. N'utilisez pas de rallonge ni de fiche d'adaptateur avec cet appareil.

Suivez les codes électriques nationaux ou les codes et règlements locaux en vigueur.

Cet appareil nécessite une alimentation électrique de 120 V 60 Hz et est connecté à un circuit de dérivation individuel correctement mis à la terre, protégé par un disjoncteur de 15 ou 20 ampères ou un fusible temporisé. Le câblage doit être à 2 fils avec terre. Veuillez également consulter le schéma électrique étiqueté sur le produit.

Raccord de câble

Un connecteur de verrouillage de câble (non fourni) peut être requis par les codes locaux. Vérifiez les exigences et les codes locaux, achetez et installez le connecteur approprié si nécessaire. (FIG. A)

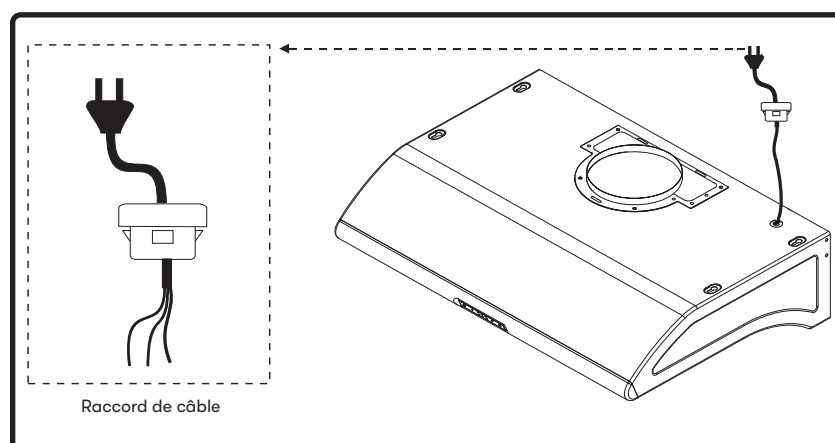
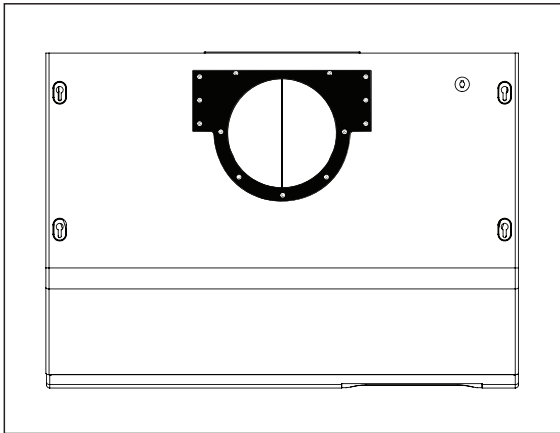


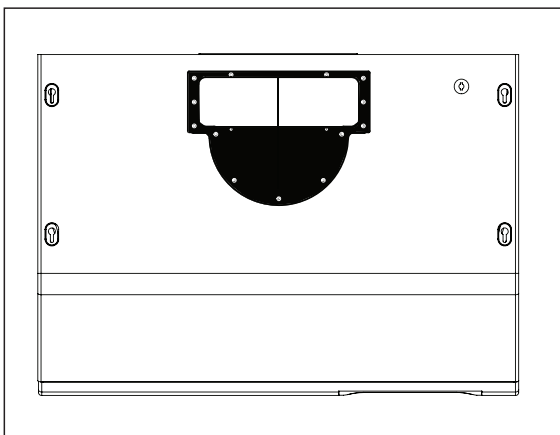
FIG. A

Préparation des conduits verticaux rectangulaires

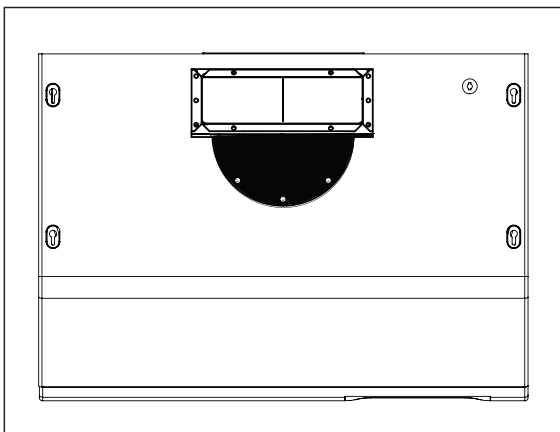
- ▶ Par défaut, le Typhoon et le Hurricane sont préconfigurés pour des conduits verticaux ronds de 7 po.
- ▶ Par défaut, le Cyclone est préconfiguré pour un conduit vertical rond de 6 po.



1. À l'aide d'un tournevis cruciforme, retirez les vis et l'adaptateur de transition vertical rond du haut du corps de la hotte.



2. Remplacez l'adaptateur de transition vertical rond par l'adaptateur de transition rectangulaire. Ne le fixez pas encore au corps de la hotte.

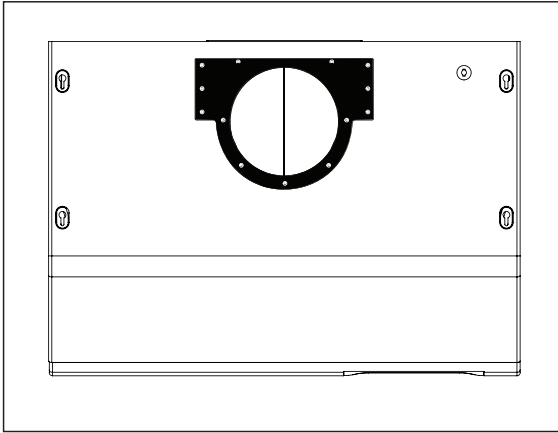


3. Placez un collier rectangulaire de 3-1/4 po x 10 po sur le dessus de l'adaptateur de transition rectangulaire. Fixez l'adaptateur rectangulaire et le collier rectangulaire au corps de la hotte à l'aide des vis précédemment retirées de l'étape 1.

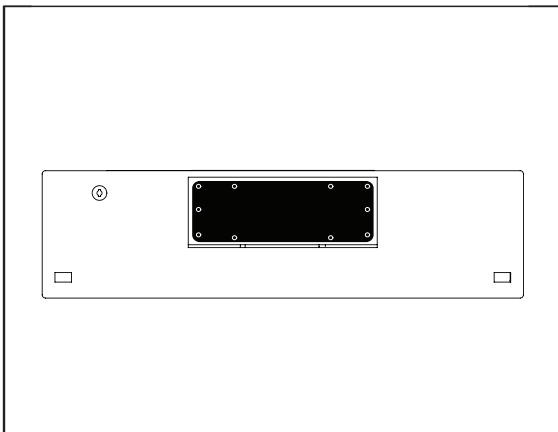
Instructions d'installation

Préparation des conduits horizontaux rectangulaires

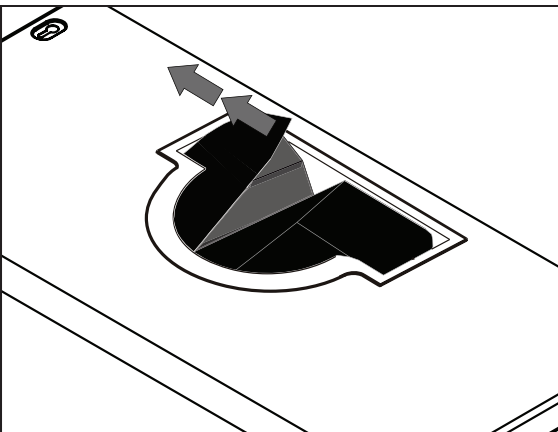
- ▶ Par défaut, le Typhoon et le Hurricane sont préconfigurés pour des conduits verticaux ronds de 7 po.
- ▶ Par défaut, le Cyclone est préconfiguré pour un conduit vertical rond de 6 po.



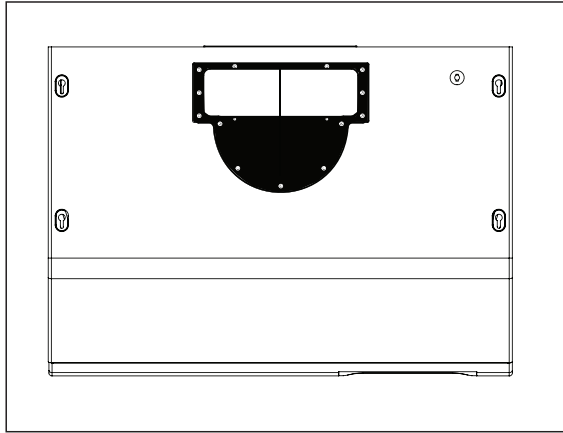
1. À l'aide d'un tournevis cruciforme, retirez les vis et l'adaptateur de transition vertical rond du haut de la hotte.



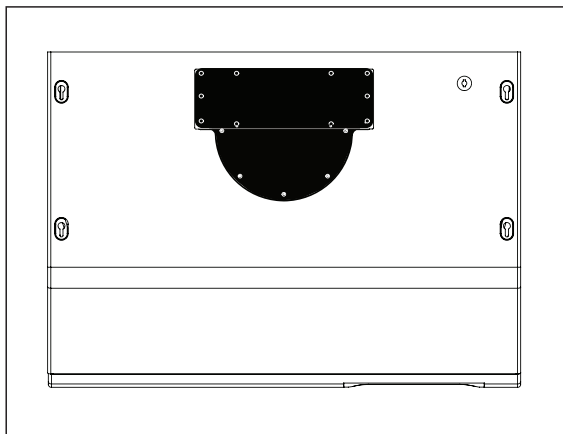
2. À l'aide d'un tournevis cruciforme, retirez les vis et la plaque de recouvrement rectangulaire 3-1/4 po x 10 po de l'arrière de la hotte.



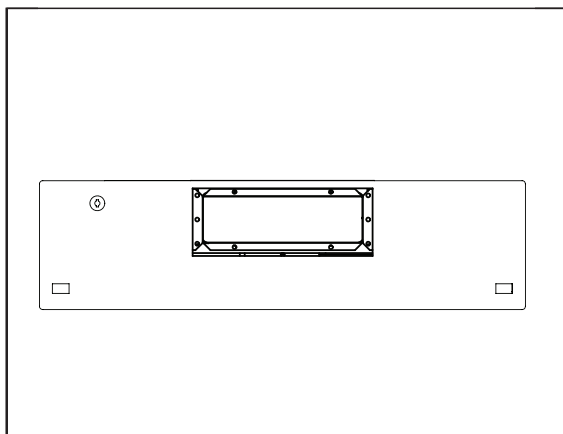
3. Typhoon **UNIQUEMENT**. Retirez les deux blocs de dérivation d'air en plastique. Les blocs sont situés dans le capot et sont accessibles par le haut lorsque l'adaptateur de transition rond est retiré.



4. Remplacez l'adaptateur de transition vertical rond par l'adaptateur de transition rectangulaire. Ne le fixez pas encore au corps de la hotte.



5. Placez la plaque de recouvrement rectangulaire de 3-1/4 po x 10 po sur l'ouverture rectangulaire sur le dessus de la hotte de l'étape 4. Fixez l'adaptateur de transition rectangulaire et la plaque de couverture au corps de la hotte à l'aide des vis précédemment retirées de l'étape 1.



6. Placez un collier rectangulaire de 3-1/4 po x 10 po à l'arrière de la hotte et fixez-le à l'aide des vis qui ont précédemment fixé le couvercle rectangulaire.

Instructions d'installation

TYPHOON, HURRICANE
& CYCLONE

SOUS-ARMOIRE

Montage de la hotte

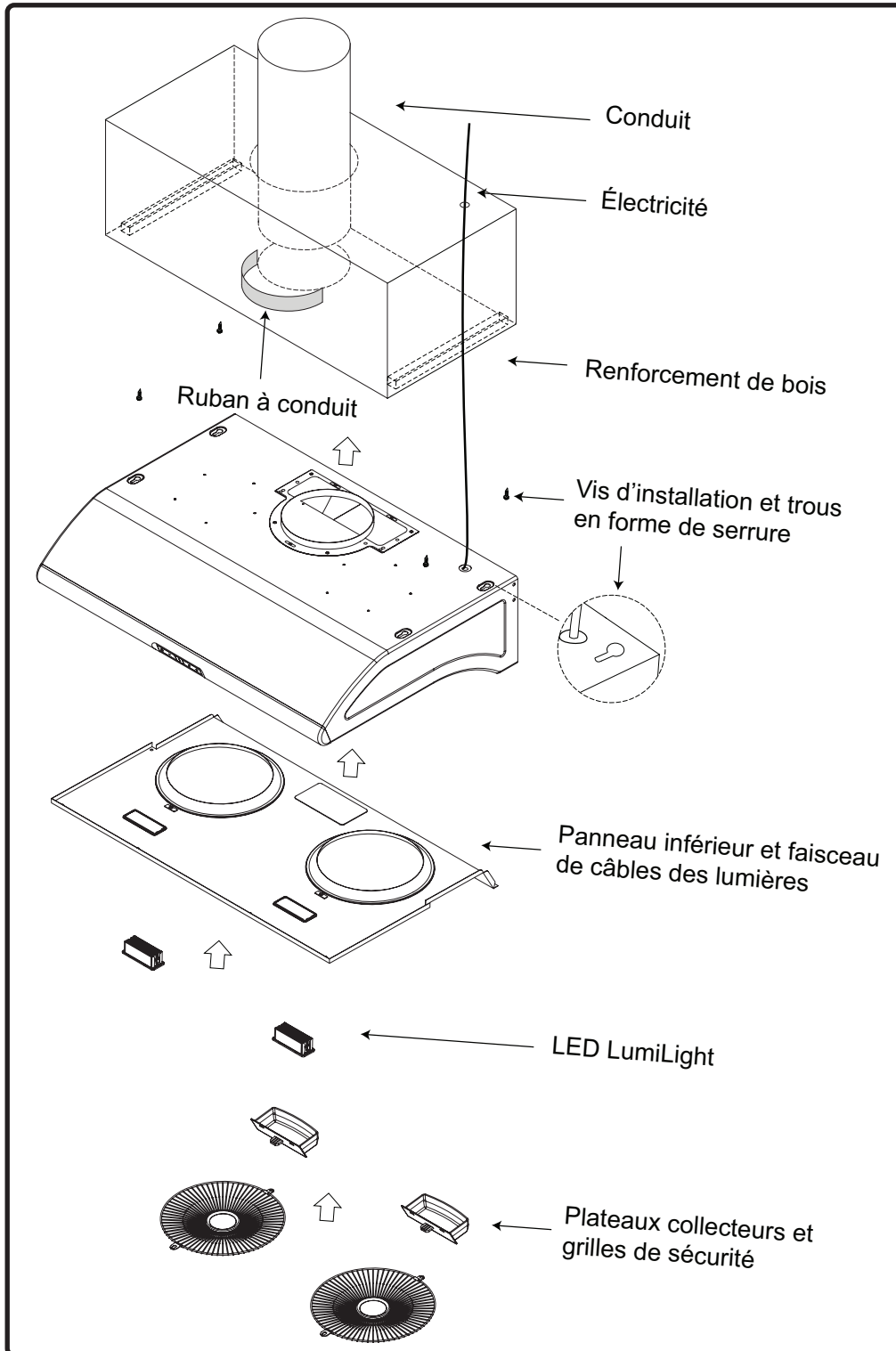


FIG. B

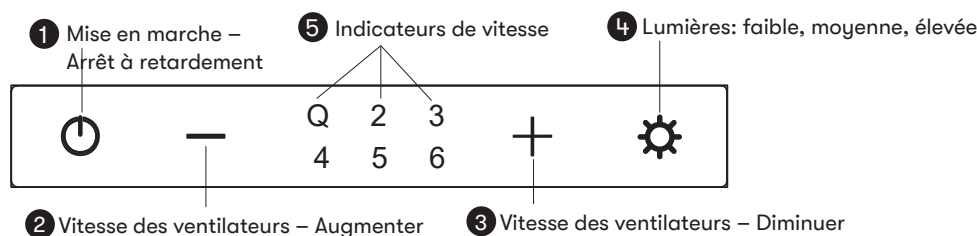
Montage de la hotte

La hotte est conçue pour être installée sous une armoire de cuisine (FIG. B)

1. Préparez l'emplacement du conduit sur la hotte (vertical ou horizontal) Reportez-vous aux pages 14 pour les options de conduit.
2. Mesurez et découpez le conduit et les ouvertures électriques dans l'armoire ou le mur pour qu'ils correspondent à la hotte. Les dimensions des conduits et électriques se trouvent aux pages 15-17. Remarque: assurez-vous que l'ouverture du conduit est suffisamment grande pour appliquer du ruban adhésif en aluminium.
3. Renforcez le fond de l'armoire avec des bandes de bois si un renforcement supplémentaire est nécessaire ou si les armoires sont encadrées.
4. Retirez le panneau inférieur de la hotte à l'aide d'un tournevis cruciforme pour retirer chacune des vis. Débranchez également le faisceau d'éclairage en appuyant sur le clip pour libérer les lumières du câblage interne. Soyez prudent lorsque vous retirez le panneau inférieur. Veillez à ne pas rayer les panneaux latéraux lors du retrait.
5. Installez (4) vis à bois au fond de l'armoire en suivant les dimensions des trous de vis d'installation à la page 15-17. Ces vis seront utilisées pour fixer la hotte à l'armoire.
6. Soulevez le capot sur les vis situées au bas de l'armoire et verrouillez-le en place. Assurez-vous que tous les (4) trous de clé recouvrent les vis. Serrez chaque vis pour fixer la hotte à l'armoire. Remarque: Pour les modèles Typhoon de 30 po, vous aurez besoin d'un long manche de 8 po - 10 po pour que votre tournevis / perceuse atteigne les vis avant.
7. Installez électrique.
8. Installer les conduits et sceller avec du ruban adhésif en aluminium.
9. Mettez la hotte sous tension et vérifiez s'il y a des fuites autour du ruban adhésif et testez toutes les fonctions.
10. Réinstallez le panneau inférieur et reconnectez le faisceau d'éclairage. Soyez prudent lors de l'installation du panneau inférieur. Veillez à ne pas rayer les panneaux latéraux lors de l'installation.
11. Faites glisser les godets de résidus dans leurs ouvertures au bas de la hotte. Installez des grilles de sécurité sur chaque ouverture de ventilateur et fixez-les avec les deux vis de grille de sécurité.

Fonctionnalités et commandes

AK21 Tactile capacitif



1 Touche de mise en marche et arrêt à retardement

- La touche vous permet d'allumer et d'éteindre la hotte (ventilateurs et lumières)
- La hotte garde en mémoire la dernière vitesse et la dernière intensité d'éclairage utilisées.
(Exemple : Si vous appuyez sur la touche pour éteindre la hotte avec les ventilateurs à la vitesse 3 et les lumières à forte intensité, lorsque vous appuierez nouveau sur la touche , la hotte s'allumera avec les ventilateurs à la vitesse 3 et les lumières à forte intensité.)

Arrêt à retardement

- Lorsque la hotte est allumée, appuyez sur la touche et tenez-la enfoncée deux secondes. Les ventilateurs passeront à la vitesse lente et la minuterie d'arrêt à retardement de cinq minutes commencera le compte à rebours.
- Les indicateurs de vitesse s'illumineront à partir de la vitesse 5 et clignoteront en indiquant le temps qu'il reste avant que ne s'éteignent automatiquement les ventilateurs et les lumières.
- Si vous appuyez sur la touche alors que la fonction d'arrêt à retardement est en cours, la hotte s'éteindra et la fonction s'annulera.

Vérification de la TCDA

- La Technologie de contrôle du débit d'air (TCDA) permet à l'installateur d'ajuster le nombre maximal de pi^3/min que la hotte peut déplacer, en conformité avec les codes et réglementations en vigueur.
- Comment vérifier le nombre maximal de pi^3/min de la hotte :
 - Lorsque la hotte est éteinte, appuyez pendant cinq seconds sur la touche . Si tous les indicateurs de vitesse s'illuminent = nombre de pi^3/min maximal par défaut. les indicateurs de vitesse Q, 2 et 3 s'illuminent = 390 pi^3/min maximum. Si les indicateurs de vitesse Q et 2 s'illuminent = 290 pi^3/min maximum.

2 Touche de réduction de vitesse des ventilateurs

- Appuyez sur ce bouton pour réduire la vitesse des ventilateurs. 6, 5, 4, 3, 2, Q (silencieux).
- Si les ventilateurs sont éteints, appuyez sur cette touche pour les allumer à la vitesse à laquelle ils se trouvaient lors de la dernière utilisation.

3 Touche d'augmentation de vitesse des ventilateurs

- Appuyez sur ce bouton pour augmenter la vitesse des ventilateurs. Q (silencieux), 2, 3, 4, 5, 6.
- Si les ventilateurs sont éteints, appuyez sur cette touche pour les allumer à la vitesse à laquelle ils se trouvaient lors de la dernière utilisation.

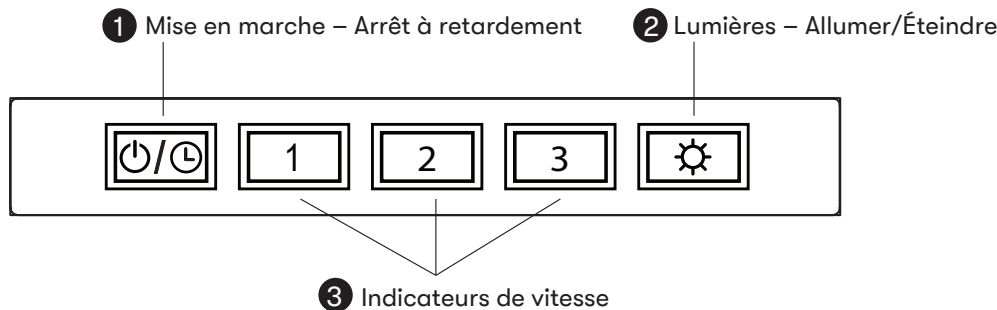
4 Touche des lumières

- Les lumières ont trois niveaux, bas, moyen et élevé.
- À partir de l'arrêt, appuyez une fois pour bas, deux fois pour moyen et trois fois pour haut.




5 Indicateurs de vitesse du ventilateur

- Les ventilateurs ont six vitesses : Q (silencieux), 2, 3, 4, 5, 6.

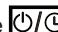
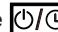
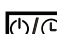
AK25 Touch électronique



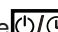
1 Touche de mise en marche et arrêt à retardement

- La touche  vous permet d'allumer et d'éteindre la hotte (ventilateurs et lumières)
- La hotte garde en mémoire la dernière vitesse et la dernière intensité d'éclairage utilisées.
(Exemple : Si vous appuyez sur la touche  pour éteindre la hotte avec les ventilateurs à la vitesse 3 et les lumières à forte intensité, lorsque vous appuierez à nouveau sur la touche , la hotte s'allumera avec les ventilateurs à la vitesse 3 et les lumières à forte intensité.)

Arrêt à retardement

- Lorsque la hotte est allumée, appuyez sur la touche  et tenez-la enfoncée deux secondes. Les ventilateurs passeront à la vitesse 1 et la touche  clignotera, indiquant que la minuterie d'arrêt à retardement de cinq minutes a commencé le compte à rebours.
- Si vous appuyez sur la touche  alors que la fonction d'arrêt à retardement est en cours, la hotte s'éteindra et la fonction s'annulera.

Vérification de la TCDA

- La Technologie de contrôle du débit d'air (TCDA) permet à l'installateur d'ajuster le nombre maximal de pi^3/min que la hotte peut déplacer, en conformité avec les codes et réglementations en vigueur.
- Comment vérifier le nombre maximal de pi^3/min de la hotte :
 - Lorsque la hotte est éteinte, appuyez pendant cinq seconds sur la touche . Si les trois indicateurs de vitesse s'illuminent = nombre de pi^3/min maximal par défaut. Si les indicateurs de vitesse 1 et 2 s'illuminent = 390 pi^3/min maximum. Si seul l'indicateur de vitesse 1 s'illumine = 290 pi^3/min maximum.

2 Touche des lumières

- Il y a deux intensités de lumière : forte et faible.
- Lorsque les lumières sont éteintes, appuyez une fois sur cette touche pour les allumer à forte intensité. Appuyez à nouveau pour les ajuster à la faible intensité. Appuyez à nouveau pour les éteindre.

3 Indicateurs de vitesse du ventilateur

- Les ventilateurs ont trois vitesses : 1 pour la vitesse lente, 2 pour la vitesse moyenne, 3 pour la vitesse rapide.

AK65 Glissière mécanique

- ❶ Ventilateur : Marche/Arrêt Choix de vitesse ❷ Allumées/Veilleuse/Éteintes



❶ VENTILATEUR : MARCHÉ/ARRÊT CHOIX DE VITESSE

À 0, le ventilateur est éteint, à 1 il est à basse vitesse, à 2 il est à la vitesse moyenne et à 3 il est à la vitesse élevée.

❷ LUMIÈRES : NORMAL/VEILLEUSE/ARRÊT

À 0, les lumières sont éteintes, à 1 elles sont en mode veilleuse et à 2 elles sont à forte intensité.

* La fonction TCDA (Technologie de contrôle du débit d'air) n'est pas disponible avec le modèle AK65

Nettoyage de la hotte et du filtre

Fonction d'auto-nettoyage

Les hottes Zephyr Typhoon, Hurricane et Cyclone sont sans filtre avec une fonction d'auto-nettoyage. Le système de soufflante centrifuge liquéfie automatiquement les résidus de cuisson dans son boîtier interne. Toutes les hottes sont équipées de godets à résidus lavables au lave-vaisselle pour collecter les résidus de cuisson pendant la fonction d'autonettoyage.

Les résidus de cuisson sont souvent automatiquement liquéfiés et peuvent s'accumuler dans les gobelets à résidus lors d'une utilisation quotidienne. Néanmoins, la graisse de cuisson pourrait également sécher et adhérer au boîtier interne. L'exécution périodique de la fonction d'autonettoyage éliminera les résidus accumulés dans le boîtier interne de la hotte.

Fréquence de nettoyage

Le nettoyage doit être effectué environ une fois par mois dans des conditions normales d'utilisation d'une heure par jour. La hotte devra peut-être être nettoyée plus souvent si vous cuisinez beaucoup.

Détergent

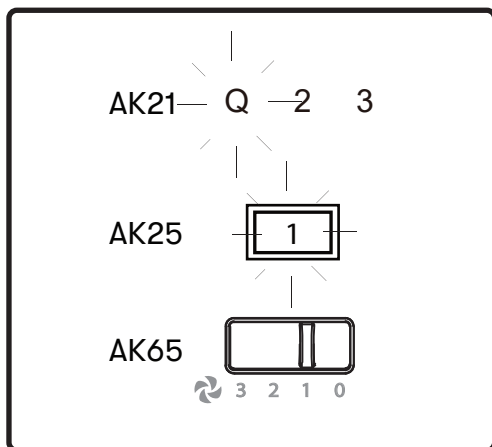
Utilisez un détergent anti-graisse tel que Simple Green ou 409.



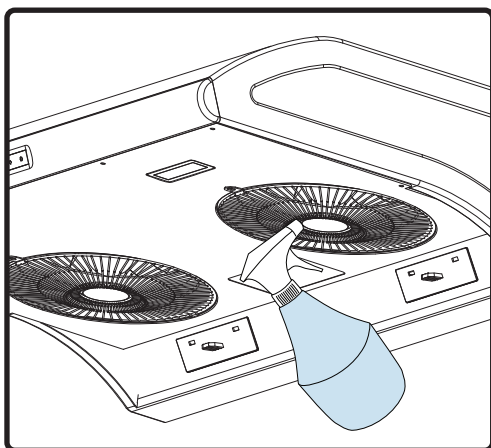
Entretien

Nettoyage de la hotte et du filtre

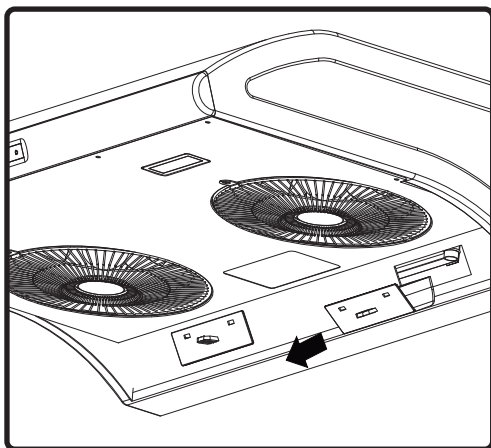
Instructions de nettoyage



1. Mettez les ventilateurs en marche à la vitesse 1.



2. Avec la buse sur «pulvérisation», vaporisez du détergent de coupe de graisse sur les lames de la roue du ventilateur 30 à 35 fois. Répétez pour chaque souffleur. Laissez le ventilateur en marche pendant 10 minutes. Le détergent s'accumule dans les godets à résidus.



3. Retirez les coupelles de résidus. Nettoyez les coupelles de résidus et au lave-vaisselle ou nettoyez à la main. Installez les coupelles de résidus après le nettoyage.

Nettoyage de la hotte et du filtre

Entretien de surface

- ▶ N'utilisez pas de détergents corrosifs, de détergents abrasifs ou de nettoyeurs pour four.
- ▶ N'utilisez aucun produit contenant un agent de blanchiment chloré ou un produit contenant du chlorure.
- ▶ N'utilisez pas de laine d'acier ou de tampons à récurer abrasifs qui pourraient rayer et endommager la surface.

Nettoyage de l'acier inoxydable

Nettoyez périodiquement avec de l'eau chaude savonneuse et un chiffon en coton propre ou un chiffon en microfibres. Frottez toujours dans le sens du grain de l'acier inoxydable. Pour éliminer les accumulations de graisse plus lourdes, utilisez un détergent dégraissant liquide.

Après le nettoyage, utilisez un produit de polissage / nettoyant pour acier inoxydable non abrasif pour polir et polir le lustre et le grain de l'acier inoxydable. Frottez toujours légèrement avec un chiffon en coton propre ou en microfibres et polissez dans le sens du grain de l'acier inoxydable.

Nettoyage de l'acier inoxydable noir

Nettoyez périodiquement avec de l'eau chaude savonneuse et un chiffon en coton propre ou un chiffon en microfibres. Pour éliminer les accumulations de graisse plus lourdes, utilisez un détergent dégraissant liquide.

En raison d'une couche intégrée de revêtement protecteur anti-taches, n'utilisez pas de polish / nettoyeurs pour acier inoxydable pour polir l'acier inoxydable noir.

Entretien

LumiLight LED et bande lumineuse LED

Dans le cas peu probable où votre LumiLight LED tombe en panne, veuillez contacter Zephyr pour commander des pièces de rechange.

Voir la page de la liste des pièces et accessoires pour les numéros de pièces et les coordonnées.

Retrait de la LED LumiLight (FIG. C & D):

1. Retirez les vis du panneau inférieur.
2. Débranchez le connecteur rapide de la lumière LED.
3. Poussez les deux clips latéraux aux extrémités de la lumière LED.
4. Poussez la lumière LED à travers l'ouverture du panneau lumineux.

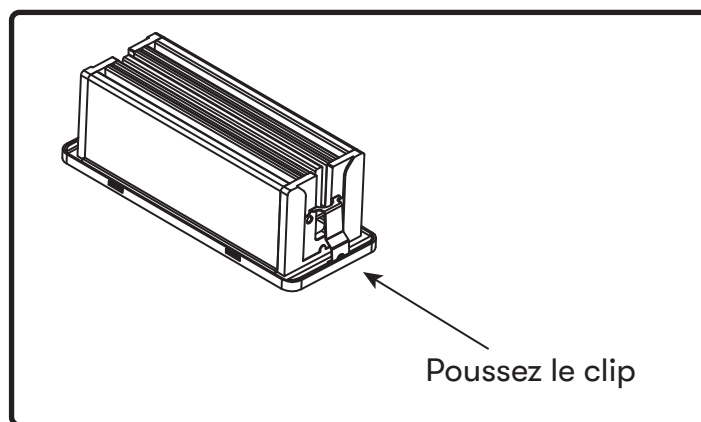


FIG. C

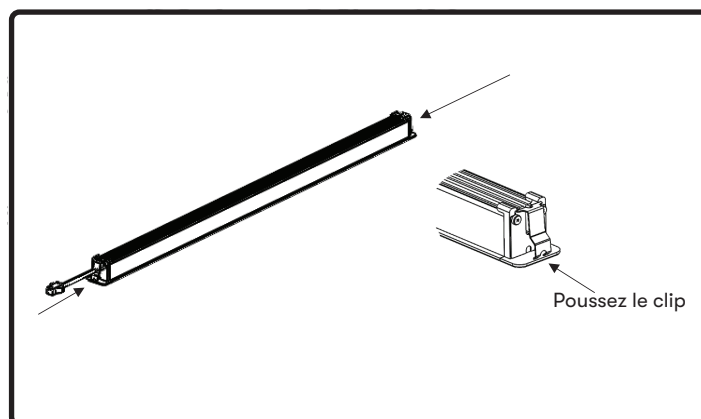


FIG. D

Technologie de contrôle du débit d'air (ACT™)

Certains codes locaux limitent la quantité maximale de CFM qu'une hotte de cuisinière peut déplacer. ACT™ vous permet de contrôler le maximum de CFM du ventilateur de certaines hottes de la gamme Zephyr Ventilation sans avoir besoin de kits d'air d'appoint coûteux. ACT™ permet à l'installateur de régler facilement la vitesse maximale du ventilateur à l'un des deux niveaux CFM les plus couramment spécifiés; 390 ou 290 CFM. L'utilisation d'ACT™ peut ne pas être nécessaire pour votre installation. Veuillez vérifier vos codes locaux pour les restrictions CFM.

AVERTISSEMENT

La hotte doit être débranchée de l'alimentation principale avant d'effectuer les instructions de conversion répertoriées ci-dessous. Ne pas le faire peut entraîner des blessures ou endommager le produit.

AVERTISSEMENT

Après avoir repositionné le cavalier et mis le capot sous tension, le CFM ne peut plus être changé.

Activer ACT™

Pour activer ACT™:

1. Avant l'installation de la hotte, accédez à la carte de circuit imprimé en suivant les étapes illustrées à la FIG. D et changez le positionnement du cavalier en plastique comme illustré à la FIG. E pour régler le CFM maximum souhaité du ventilateur.
2. Réinstallez la carte électronique et continuez l'installation de la hotte et retirez l'autocollant CFM en aluminium approprié inclus avec la documentation de la hotte et placez-la à l'intérieur du corps de la hotte sous le schéma de câblage ou à un autre endroit clairement visible.

Pour vérifier si votre installateur a activé ACT™:

1. Avec le capot éteint, maintenez le bouton d'alimentation enfoncé pendant 5 secondes: Si tous les indicateurs de niveau de vitesse s'allument = max. CFM.
Modèle Typhoon AK21: Si la vitesse Q, les indicateurs de niveau 2 et 3 s'allument = 390 max. CFM, si les indicateurs de niveau de vitesse Q et 2 s'allument = 290 max. CFM.
Modèle Hurricane AK25: Si les indicateurs de niveau de vitesse 1 et 2 s'allument = 390 max. CFM, si l'indicateur de niveau de vitesse 1 s'allume = 290 max. CFM
2. Lorsque ACT™ est activé, le nombre de vitesses de la soufflante sera réduit comme suit:
Modèle Typhoon AK21: 390 CFM = max. 3 vitesses, 290 CFM = max. 2 vitesses
Modèle Hurricane AK25: 390 CFM = max. 2 vitesses, 290 CFM = max. 1 vitesse
3. Il devrait également y avoir une étiquette en aluminium située à l'intérieur du corps de la hotte près du schéma de câblage qui indique le CFM du ventilateur.

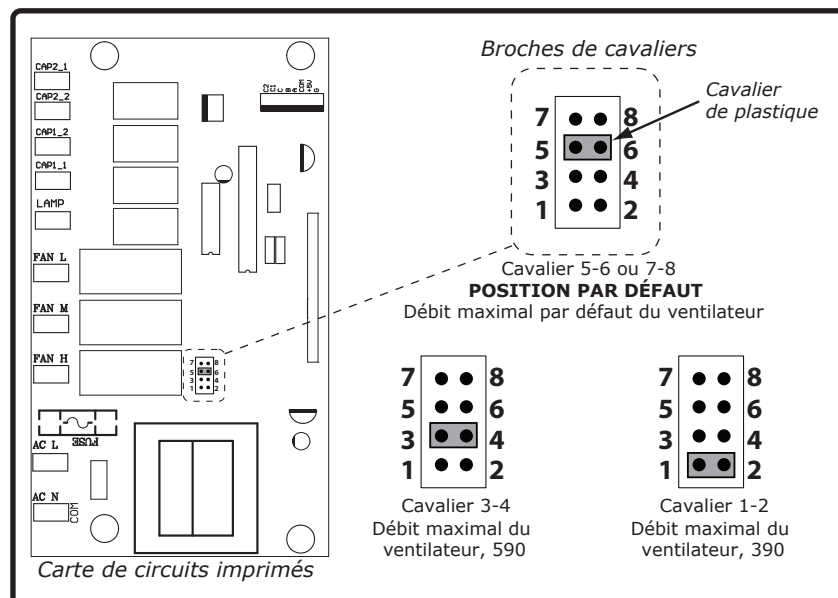


FIG. E

Accès aux instructions du circuit imprimé

REMARQUE: Faites attention lorsque vous retirez la carte de circuit imprimé car de nombreux fils sont connectés à la carte.

Modèle: Typhoon AK21

1. Retirez le panneau inférieur à l'aide de 6 vis (FIG. D1) et déconnectez les connecteurs rapides des voyants DEL.
2. Retirez les 3 vis fixant la plaque de la carte de circuit imprimé pour accéder à la carte de circuit imprimé (FIG. D2).

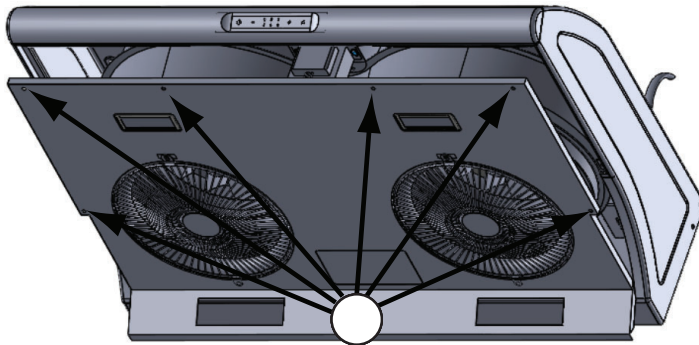


FIG. D1

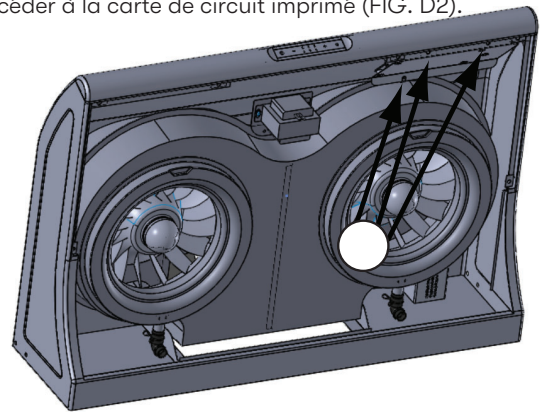


FIG. D2

Modèle: Hurricane AK25

1. Retirez le panneau inférieur à l'aide de 3 vis (FIG. D3) et déconnectez les connecteurs de douille d'éclairage.
2. Retirez la plaque de la carte de circuit imprimé à l'aide de 2 vis (FIG. D4).
3. Retirez les 2 vis fixant l'assemblage de la carte de circuit imprimé pour accéder à la carte de circuit imprimé (FIG. D5).

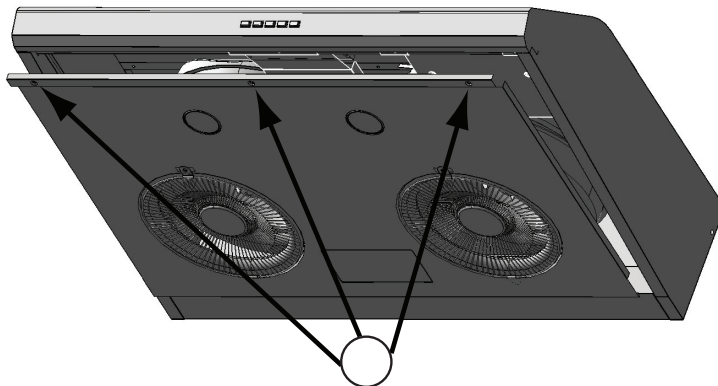


FIG. D3

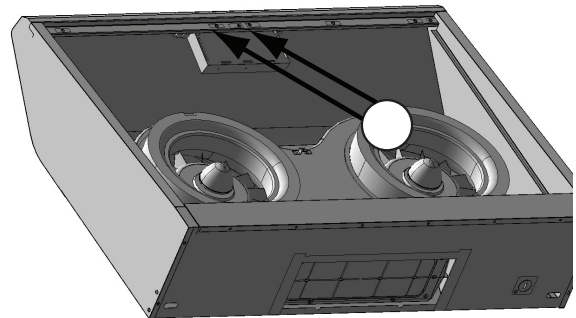


FIG. D4

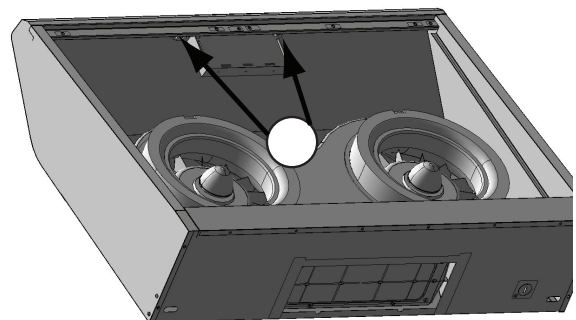
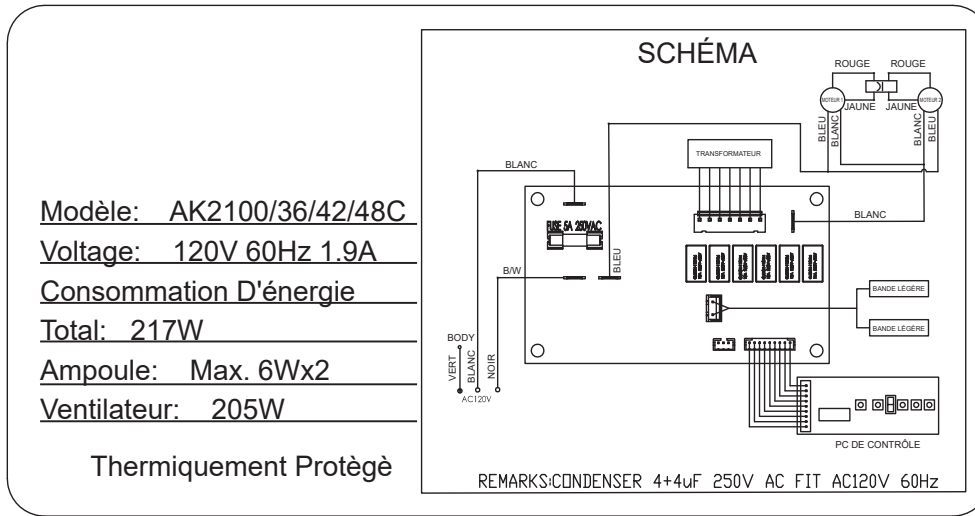


FIG. D5

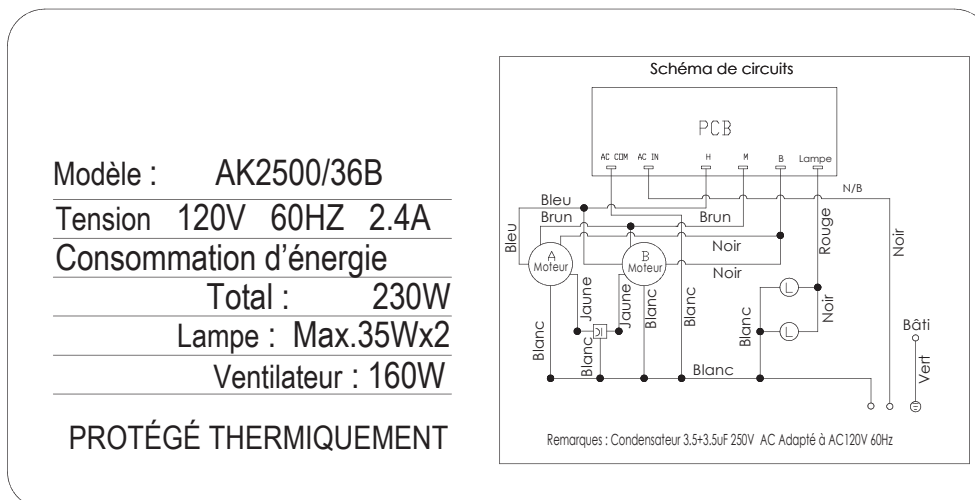
Schéma de câblage

TYPHOON, HURRICANE
& CYCLONE

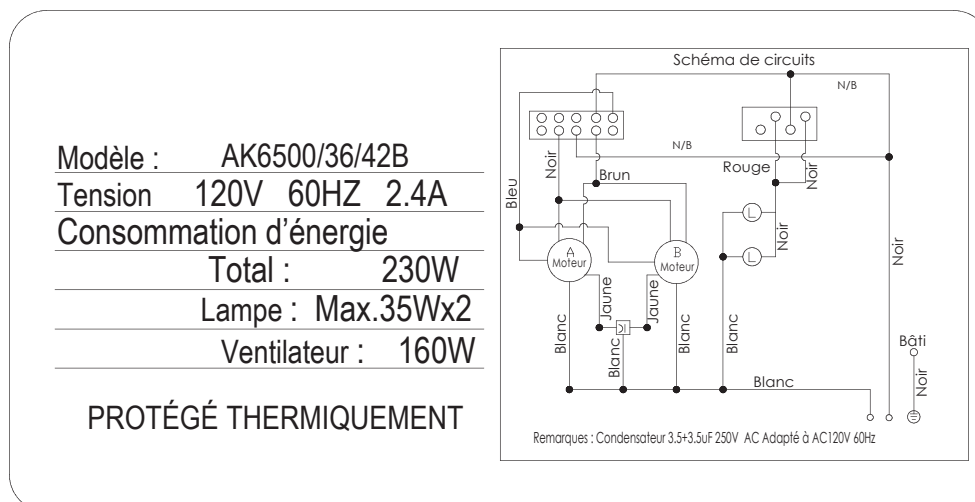
SOUS-ARMOIRE



Consommation électrique indiquée ci-dessus pour la configuration par défaut du ventilateur 850 CFM ACT 390 CFM - Ventilateur Max. 160 W à 2,4 A, ACT 290 CFM - Ventilateur max. 140 W à 2,2 A



Consommation électrique indiquée ci-dessus pour la configuration par défaut du ventilateur 695 CFM ACT 390 CFM - Ventilateur Max. 140 W à 2,2 A, ACT 290 CFM - Ventilateur max. 120 W à 2,1 A



Problème possible	Cause possible	Solutions
Après l'installation, l'unité ne fonctionne pas.	La source d'alimentation n'est pas allumée.	Assurez-vous que le disjoncteur et que l'appareil est sous tension.
	La ligne d'alimentation et le connecteur de verrouillage du câble ne se connectent pas correctement.	Vérifiez que la connexion d'alimentation avec l'appareil est correctement connectée.
	Le câblage de la carte de commutation ou de la carte de commande est déconnecté.	Assurez-vous que les câblages de la carte de commutation et de la carte de commande sont correctement connectés.
	La carte de commutation ou de contrôle est défectueuse.	Changez la carte de commutation ou la carte de commande.
La lumière fonctionne, mais le ventilateur ne tourne pas.	Le câble du ventilateur est déconnecté.	Connectez le câble du ventilateur.
	Débris ou obstruction du moteur.	Retirez les débris ou l'obstruction.
	Moteur défectueux ou éventuellement grippé.	Changez le ventilateur.
	Condensateur endommagé.	Changez le condensateur.
	La carte de commutation ou de contrôle est défectueuse.	Changer la pièce défectueuse.
L'unité vibre.	Le ventilateur n'est pas fixé en place.	Serrez le ventilateur en place.
	Roue de soufflante endommagée.	Remplacez le ventilateur.
	Le capot n'est pas fixé en place.	Vérifiez l'installation de la hotte.
Le ventilateur fonctionne, mais pas les lumières.	Le connecteur de la lumineuse LED est déconnecté.	Connectez le connecteur de la lumineuse LED.
	Lumineuse LED défectueuse.	Changez la lumineuse LED.
	La carte de commutation ou de contrôle est défectueuse.	Changez la carte de commutation ou la carte de commande.
La hotte ne s'échappe pas correctement.	Utiliser le mauvais type de canalisation. Les conduits flexibles peuvent réduire le débit d'air jusqu'à 50%.	Remplacez la gaine par une gaine métallique rigide et solide.
	La hotte peut être suspendue trop haut à la table de cuisson.	Ajustez la distance entre la table de cuisson et le bas de la hotte dans une plage de 26" et 32".
	Le vent des fenêtres ouvertes ou des portes ouvertes dans la zone environnante affecte la ventilation de la hotte.	Fermez toutes les fenêtres et portes pour éliminer le flux de vent extérieur.
	Obstruction dans l'ouverture du conduit ou les conduits.	Retirez tout le blocage des conduits ou de l'ouverture du conduit.
L'unité s'allume d'elle-même.	Un spot ou une lampe de cuisine brille directement sur les commandes de l'interrupteur.	Les commandes des interrupteurs sont sensibles à la lumière. Une source de lumière directe sur les commandes de l'interrupteur peut perturber les fonctions de l'interrupteur.
La grille de sécurité vibre.	La grille de sécurité est desserrée.	Serrez la vis de la grille de sécurité.

Liste des pièces et accessoires

La description	Numéro d'article
Pièces de rechange	
LumiLight LED, 6 W	ZOB0047
Ampoule MR16 (GU10) 35 W (la pièce)	ZOB0023
Ventouse de retrait d'ampoule	15000004
Coupe de résidus (AK21)	56160003
Coupe de résidus (AK25 et AK65)	56160007
Grille de sécurité en acier inoxydable (AK21)	50220024
Grille de sécurité noire (AK21)	50220025
Grille de sécurité blanche (AK21)	50220026
Grille de sécurité en acier inoxydable (AK25 et AK65)	50220022
Grille de sécurité noire (AK25 et AK65)	50220027
Grille de sécurité blanche (AK25 et AK65)	50220023
Accessoires optionnels	
Bloom GU10 LED	ZOB0040
Kit d'air d'appoint (AK21 et AK25)	MUA008A
Kit d'air d'appoint (AK65)	MUA006A

Pour commander des pièces, visitez-nous en ligne à <http://store.zephyronline.com> ou appelez-nous au 1.888.880.8368.

Remarques

TYPHOON, HURRICANE
& CYCLONE

SOUS-ARMOIRE

**POUR OBTENIR DU SERVICE SOUS GARANTIE OU POUR TOUTE QUESTION LIÉE À L'ENTRETIEN,
veuillez communiquer avec nous au 1-888-880-8368**

Zephyr Ventilation, LLC (désigné aux présentes sous le nom de « nous ») garantit au premier acheteur (désigné aux présentes sous le nom de « vous » ou « votre ») de produits Zephyr (les « Produits ») que lesdits produits sont exempts de défauts de fabrication ou de main-d'œuvre selon les conditions suivantes :

Garantie de trois ans sur les pièces : Garantie de trois ans à partir de la date d'achat originale du Produit. Nous fournirons sans frais les Produits ou les pièces (y compris les ampoules LED, le cas échéant) de remplacement qui comportaient des défauts de fabrication. Nous pourrions choisir, à notre seule discrétion, de réparer ou de remplacer des pièces avant de prendre la décision de remplacer le Produit.

Garantie limitée d'un an sur la main-d'œuvre : Garantie d'un an à partir de la date d'achat originale du Produit. Nous couvrirons sans frais les frais de main-d'œuvre afférents à la réparation du Produit ou des pièces de remplacement qui comportaient des défauts de fabrication. Un an après la date d'achat originale, vous serez responsable de tous les frais de main-d'œuvre associés à la présente garantie.

Exclusions de la garantie : Cette garantie ne couvre que la réparation ou le remplacement, à notre gré, de pièces ou de Produits défectueux et ne couvre aucun autre coût afférent aux Produits, dont, sans s'y limiter, les frais liés : (a) à l'entretien normal des Produits et au remplacement des pièces consommables, comme les fluorescent, incandescence ou halogèneampoules, les filtres métalliques, les filtres à charbon et les fusibles; (b) à tout Produit ou pièce ayant été endommagé durant le transport ou étant le résultat d'un mauvais usage, d'une négligence, d'un accident, d'une installation incorrecte ou ne respectant pas les notices d'installation recommandées, d'un entretien ou d'une réparation inapproprié (dont ne nous sommes pas responsables); (c) à une utilisation commerciale ou ne correspondant pas à l'utilisation pour laquelle les Produits sont conçus; (d) à l'usure naturelle du fini, à l'usure due à un entretien inadéquat, à l'utilisation de produits nettoyants corrosifs ou abrasifs, de tampons nettoyeurs et de produits de nettoyage pour le four; (e) aux éclats, entailles ou fissures résultant d'un abus ou d'une mauvaise utilisation du Produit; (f) aux déplacements d'un technicien de service à votre domicile pour vous montrer comment utiliser les Produits; (g) aux dommages causés par un accident, un incendie, une inondation, un cas fortuit; ou (h) Les installations personnalisées ou modifications qui ont un impact sur la maintenabilité du Produit. Si vous vous trouvez à l'extérieur du territoire que nous desservons, des frais supplémentaires pourraient s'appliquer pour la livraison des produits à nos points de service désignés pour une réparation sous garantie ou vous pourriez avoir à déboursier les frais de déplacement du technicien à votre domicile pour que le Produit soit réparé, enlevé ou réinstallé. Un an après la date d'achat originale du Produit, vous êtes également responsable de tous les frais de main-d'œuvre associés à la présente garantie.

Restrictions de la garantie. NOTRE OBLIGATION DE RÉPARER OU DE REMPLACER, À NOTRE GRÉ, LE PRODUIT CONSTITUE VOTRE SEUL ET UNIQUE RECOURS SOUS LA PRÉSENTE GARANTIE. NOUS NE NOUS PORTONS PAS RESPONSABLES POUR TOUT DOMMAGE INDIRECT, ACCESSOIRE OU PARTICULIER RÉSULTANT OU AYANT UN LIEN AVEC L'UTILISATION OU LE RENDEMENT DES PRODUITS. LES GARANTIES EXPRESSES DE LA SECTION PRÉCÉDENTE SONT EXCLUSIVES ET TIENNENT LIEU DE TOUTE AUTRE GARANTIE EXPRESSE. PAR LES PRÉSENTES, NOUS REJETONS ET EXCLUONS TOUTE AUTRE GARANTIE EXPRESSE POUR LES PRODUITS ET TOUTES LES GARANTIES TACITES PRÉVUES PAR LA LOI, DONT CELLES RELATIVES À LA QUALITÉ MARCHANDE OU À L'ADÉQUATION DU PRODUIT POUR UNE UTILISATION PARTICULIÈRE. Certains États ou provinces n'autorisent pas les restrictions sur la durée d'une garantie implicite ou l'exclusion ou la restriction des dommages indirects ou accessoires; par conséquent, les exclusions et restrictions mentionnées ci-dessus pourraient ne pas s'appliquer à votre cas. Dans la mesure où une loi applicable interdit l'exclusion de garanties implicites, la durée de toute garantie implicite applicable se limite à la période de deux ans décrite ci-dessus. L'unique objectif de toute description orale ou écrite est de présenter les Produits et celle-ci ne devrait pas être interprétée comme une garantie expresse. Avant d'utiliser ou de permettre l'utilisation des Produits, vous devrez déterminer si les Produits conviennent aux utilisations prévues et vous devrez assumer tout risque et toute responsabilité relatifs à ces utilisations. Nous nous réservons le droit d'utiliser des pièces reconstruites ou remises à neuf pour remplacer l'une des fonctionnalités dans le cadre de la présente garantie ou de l'une des parties de la présente garantie. L'acheteur original ne peut transférer la présente garantie et celle-ci n'est valide qu'aux États-Unis et au Canada.

Pour obtenir du service sous la garantie : Pour avoir droit à du service sous garantie, vous devez : (a) nous avertir en utilisant l'adresse ou le numéro de téléphone inscrit ci-dessous dans les soixante jours suivant la détection du défaut; (b) donner le numéro du modèle, le numéro d'identification de la pièce ainsi que le numéro de série; et (c) décrire la nature de tout défaut de la pièce ou du Produit. Au moment de faire la demande de service sous garantie, vous devrez présenter votre preuve d'achat et la preuve de la date d'achat originale. Si nous déterminons que les exclusions de la garantie énumérées ci-dessus s'appliquent ou si vous vous trouvez dans l'incapacité de nous fournir la documentation nécessaire pour obtenir du service, vous serez responsable de tous les frais d'expédition, de déplacement, de main-d'œuvre ou de tout autre coût afférent au service.

Veuillez consulter notre site Web au www.zephyronline.com pour savoir si des révisions ont été apportées à la garantie.

Zephyr Ventilation Service Department, 2277 Harbor Bay Parkway, Alameda, CA 94502 1-888-880-8368

MAY20.0501

Enregistrement du produit

Nous vous félicitons d'avoir acheté un produit Zephyr. Veuillez prendre un moment pour enregistrer votre nouvelle produit au www.zephyronline.com/registration

C'EST IMPORTANT

Cet enregistrement rapide est utile à bien des égards.

- Il assure la couverture de votre garantie si vous avez besoin de service après-vente.
- À des fins d'assurance, il permet de confirmer que vous êtes le propriétaire.
- Il vous permet de recevoir des avis concernant des modifications ou des rappels de produits.



Zephyr Ventilation | 2277 Harbor Bay Pkwy. | Alameda, CA 94502 | 1.888.880.8368