

AK4807

48" Culinary Series Professional Gas Range

- Versatile German designed tower burners (high power or low simmer)
- Large 7.2-cu. ft. capacity convection oven with blue porcelain interior
- Durable, high-grade LED illuminated knobs
- Heavy-duty continuous grates and griddle
- Equipped with adjustable, full-extension glide racks



Continuous Grates maximize cooking surface



Premium LED lit metal knobs

Oven Properties and Features

Oven Capacity	2.7-cu. ft. (small)/4.5-cu. ft. (large)
Cooking Modes (Large)	Bake, Convection, Broil
Cooking Modes (Small)	Bake
Cleaning Type	Manual
Oven Burner	U-Shape
Bake Power	22,000 BTU
Broiler Power	16,500 BTU Infrared
Adjustable Full Extension Glide Racks	2
Interior Material	Blue Porcelain
Convection	True European

Cooktop Properties and Features

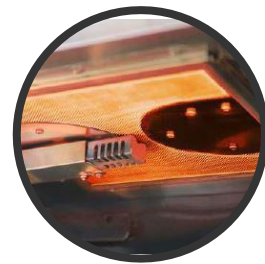
Cooking Grates	Cast Iron, Continuous
Total Number of Sealed Burners	6 Dual Power
Drip Pan	Black Porcelain
Knobs	Stainless Steel, LED
Front Left Burner Power	18,000 BTU/650 BTU
Front Center Burner Power	9,000 BTU/650 BTU
Front Right Burner Power	18,000 BTU/650 BTU
Rear Left Burner Power	9,000 BTU/650 BTU
Rear Center Burner Power	18,000 BTU/650 BTU
Rear Right Burner Power	9,000 BTU/650 BTU
Griddle Burner Power	18,000 BTU

Additional Information

Warranty	2 Year, Parts & Labor
Included Accessories	Broiler Pan
Available Accessories	Additional Racks/Broiler Pans



Large Capacity Oven with Blue Interior

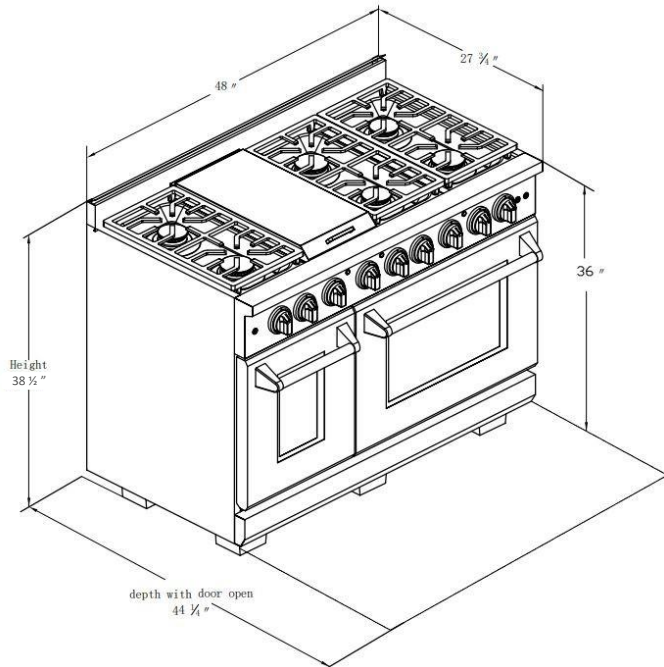


High Power Infrared Broiler



Ultra Low Simmer and High Power Dual Burners

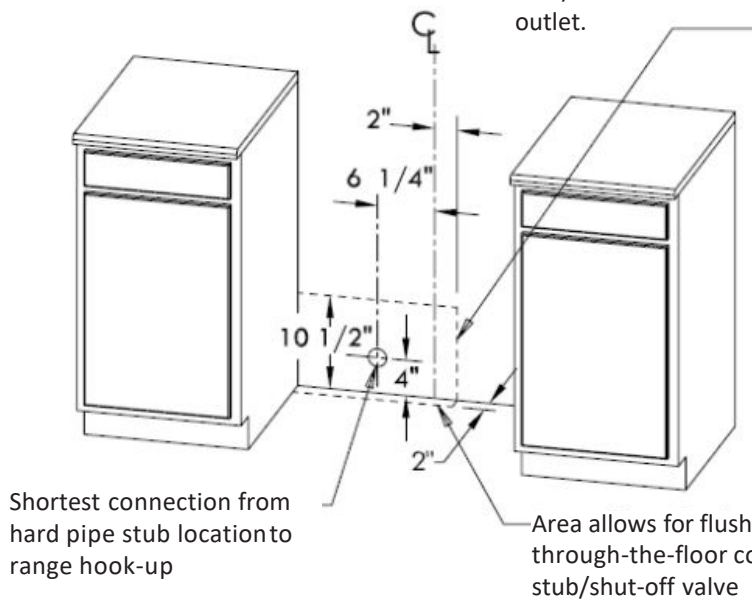
Overall Dimensions



Technical Details

Overall Dimensions	28"D x 48"W x 39"H
Adjustable Range Height	7/8"
Net Weight	529 lbs.
Backguard Height	2.5"
Amps/Volts/Freq	20A/120V/60Hz
Plug Type/Cord Length	3 Prong/72"
Gas Type	Natural Gas (15 mbar)

Hook Up Requirements



Hood Install Guides

