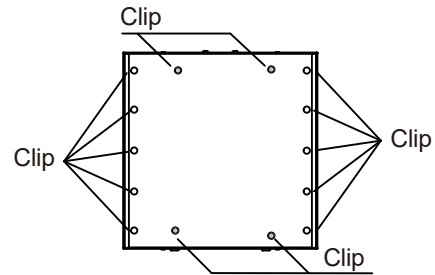
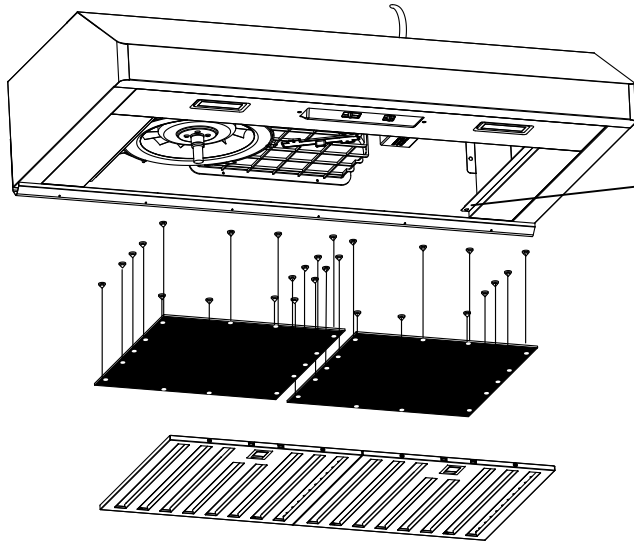


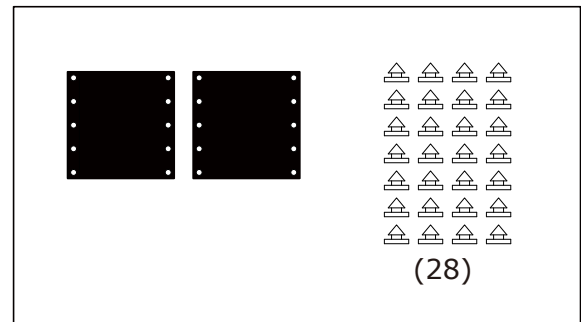
ZRC-0071

For use with models : AK71xxBS

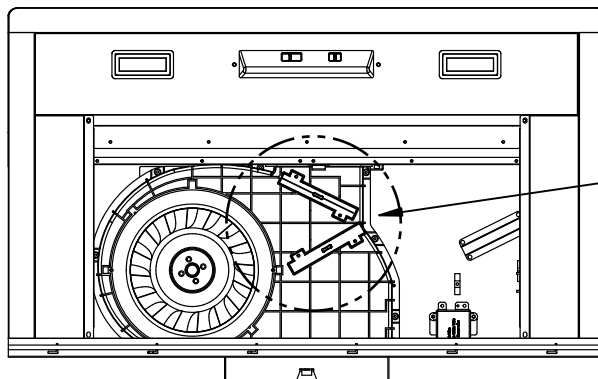


Place charcoal filters to back side of baffle filters. Secure charcoal filters in place by rubber clips.
Remove all black foam from filter opening before installing the charcoal filter brackets.

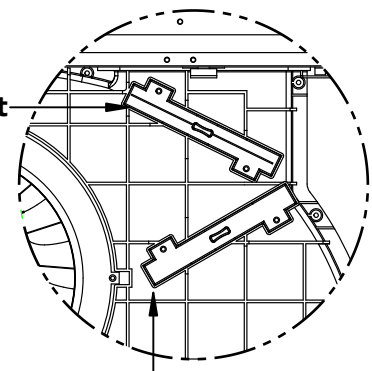
INCLUDED MATERIALS



1



front slot



back slot

- a. Remove air diverter plate slot covers.
- b. Remove metal air diverter plate from front slot and reposition to back slot.
- c. Reinstall air diverter plate covers.