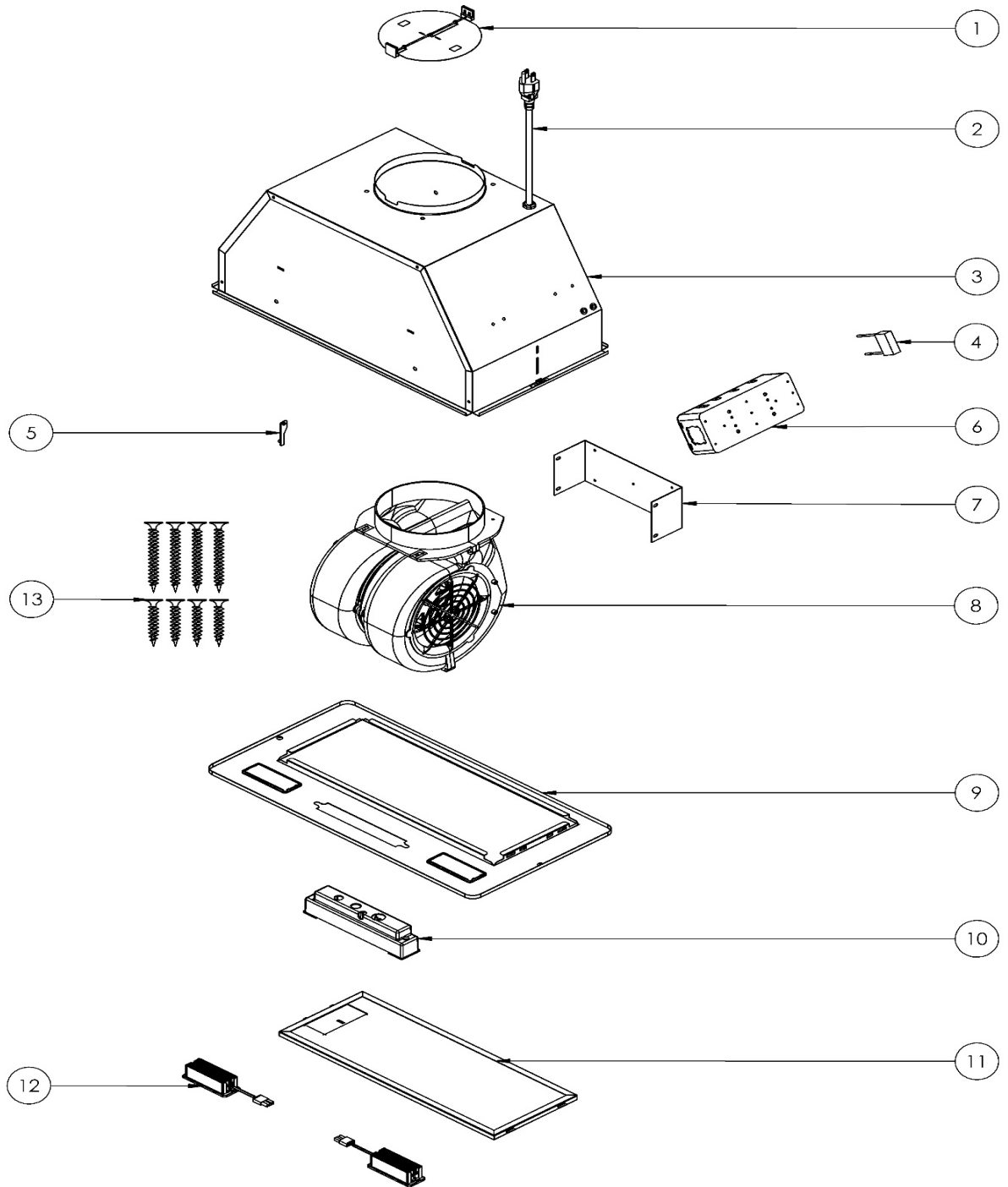


AK8400BS-ES





Tornado Mini ENERGY STAR

AK8400BS-ES

Ref #	Part #	Description	Qty.
1	54060007	6 Inch Round Damper	1
2	11030092	Electrical Cord	1
4	12050031	Capacitor	1
5	54150007	Spring Clip	1
6	50500086	Junction Box Assembly	1
7	54140065	Motor Bracket	1
8	12120098	Motor	1
9	50130185	Bottom Panel	1
10	11000173	Switch Assembly	1
11	50200054	Aluminum Mesh Filter	1
12	Z0B0065	LED Light, 7W	2
13	05000156	Hardware Packet	1

MAR23.0101