

ZEPHYR

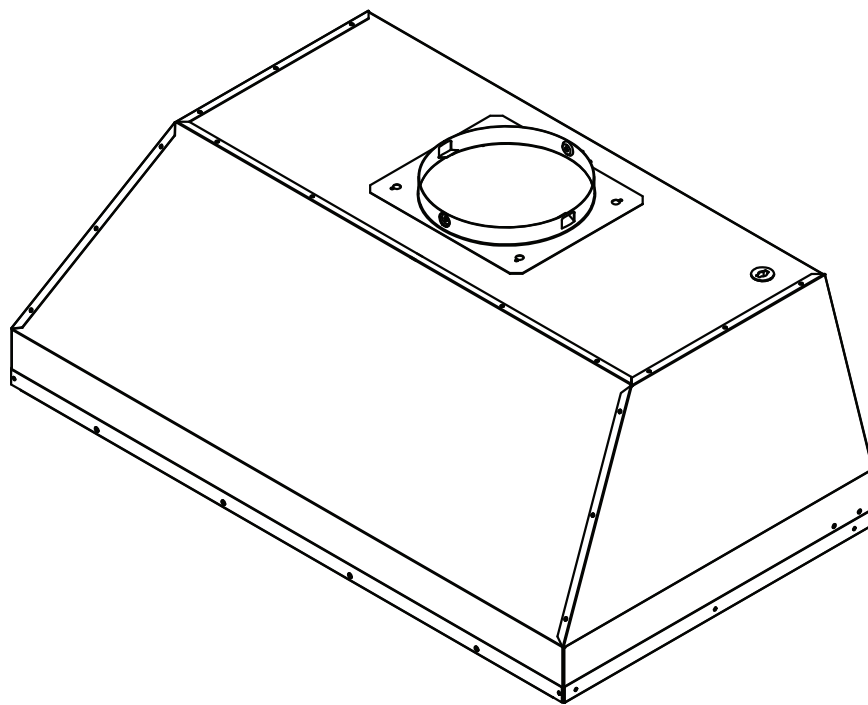
WWW.ZEPHYRONLINE.COM

Monsoon I

AK9228BS, AK9234BS, AK9240BS, AK9246BS

EN Use, Care, and Installation Guide

FR Guide d'utilisation, d'entretien et d'installation



ACT™
Airflow Control Technology

UL US LISTED

	Page
Safety Information	4-9
Types of Safety Warnings.....	4
General Safety	5-8
Operation	8
Electrical Requirements	8-9
Federal Communication Commission Interface Statement	9
List of Materials	10
Installation Instructions	11-25
Ducting Calculation Sheet	11
Mounting Height, Clearance, & Ducting	12-13
Ducting Options	14
Hood Specifications.....	15
Electrical Supply.....	16
Cable Lock	16
Preparation & Installation	17-18
Vertical Ducting Preparation.....	19-20
Horizontal Ducting Preparation	21-25
Features & Controls	26-29
Touch Controls	26-27
RF Remote Control	28-29
Maintenance	30-32
Hood & Filter Cleaning.....	30-31
LumiLight LED	32
ACT™ Conversion	33-35
Airflow Control Technology (ACT™)	33
Enabling ACT™	34-35
Wiring Diagram	36-38
Troubleshooting	39-40
List of Parts & Accessories	41
Notes	42
Limited Warranty	43
Product Registration	44



Safety Information



Your safety and the safety of others are very important.

We have provided many important safety messages in this manual for your appliance. Always read and obey all safety messages.



This is the Safety Alert Symbol. This symbol alerts you to potential hazards that can cause severe bodily injury or death. All safety messages will follow the Safety Alert Symbol and either the words “DANGER” “WARNING” or “CAUTION”

	DANGER	
Danger means that failure to heed this safety statement may result in severe injury or death.		

	WARNING	
Warning means that failure to heed this safety statement may result in extensive product damage, serious personal injury, or death.		

	CAUTION	
Caution means that failure to heed this safety statement may result in minor or moderate personal injury, property or equipment damage.		

READ AND SAVE THESE INSTRUCTIONS

General Safety



WARNING - TO REDUCE THE RISK OF FIRE, ELECTRIC SHOCK, OR INJURY TO PERSONS, OBSERVE THE FOLLOWING:

- a) Use this unit only in the manner intended by the manufacturer. If you have questions, contact the manufacturer.
- b) Before servicing or cleaning unit, switch power off at service panel and lock the service disconnecting means to prevent power from being switched on accidentally. When the service disconnecting means cannot be locked, securely fasten a prominent warning device, such as a tag, to the service panel.



Safety Information

READ AND SAVE THESE INSTRUCTIONS



WARNING - TO REDUCE THE RISK OF A RANGE TOP GREASE FIRE:

- a) Never leave surface units unattended at high settings. Boilovers cause smoking and greasy spillovers that may ignite. Heat oils slowly on low or medium settings.
- b) Always turn hood ON when cooking at high heat or when flambeing food. (i.e. Crepes Suzette, Cherries Jubilee, Peppercorn Beef Flambe’).
- c) Clean ventilating fans frequently. Grease should not be allowed to accumulate on fan or filter.
- d) Use proper pan size. Always use cookware appropriate for the size of the surface element.



WARNING - TO REDUCE THE RISK OF INJURY TO PERSONS IN THE EVENT OF A RANGE TOP GREASE FIRE, OBSERVE THE FOLLOWING^a:

- a) SMOTHER FLAMES with a close-fitting lid, cookie sheet, or metal tray, then turn off the burner. BE CAREFUL TO PREVENT BURNS. If the flames do not go out immediately, EVACUATE AND CALL THE FIRE DEPARTMENT.
- b) NEVER PICK UP A FLAMING PAN – You may be burned.
- c) DO NOT USE WATER, including wet dishcloths or towels – a violent steam explosion will result.
- d) Use an extinguisher ONLY if:
 - 1) You know you have a Class ABC extinguisher, and you already know how to operate it.
 - 2) The fire is small and contained in the area where it started.
 - 3) The fire department is being called.
 - 4) You can fight the fire with your back to an exit

^aBased on “Kitchen Firesafety Tips” published by NFPA.

READ AND SAVE THESE INSTRUCTIONS



WARNING - TO REDUCE THE RISK OF FIRE, ELECTRIC SHOCK, OR INJURY TO PERSONS, OBSERVE THE FOLLOWING:

- a) Installation work and electrical wiring must be done by qualified person(s) in accordance with all applicable codes and standards, including fire-rated construction.
- b) Sufficient air is needed for proper combustion and exhausting of gases through the flue (chimney) of fuel burning equipment to prevent back drafting. Follow the heating equipment manufacturer's guideline and safety standards such as those published by the National Fire Protection Association (NFPA), and the American Society for Heating, Refrigeration and Air Conditioning Engineers (ASHRAE), and the local code authorities.
- c) When cutting or drilling into wall or ceiling, do not damage electrical wiring and other hidden utilities.
- d) Ducted fans must always be vented to the outdoors.
- e) If this unit is to be installed over a tub or shower, it must be marked as appropriate for the application and be connected to a GFCI (Ground Fault Circuit Interrupter) - protected branch circuit.



READ AND SAVE THESE INSTRUCTIONS



- ▶ To reduce risk of fire and to properly exhaust air outside, do not vent exhaust air into spaces within walls, ceilings, attics, crawl spaces, or garages.

Operation

- ▶ Always leave safety grilles and filters in place. Without these components, operating blowers could catch onto hair, fingers and loose clothing.
- ▶ The manufacturer declines all responsibility in the event of failure to observe the instructions given here for installation, maintenance and suitable use of the product. The manufacturer further declines all responsibility for injury due to negligence and the warranty of the unit automatically expires due to improper maintenance.

NOTE: Please check www.zephyronline.com for revisions before doing any custom work.

Electrical Requirements

Important:

Observe all governing codes and ordinances.

It is the customer's responsibility to be aware of these below:

- ▶ To contact a qualified electrical installer.
- ▶ To assure that the electrical installation is adequate and in conformance with National Electrical Code, ANSI/NFPA 70 latest edition* or CSA standards C22.1-94, Canadian Electrical Code, Part 1 and C22.2 No.0-M91 - latest edition** and all local codes and ordinances.
- ▶ If codes permit and a separate ground wire is used, it is recommended that a qualified electrician determine that the ground path is adequate.
- ▶ Do not ground to a gas pipe.
- ▶ Check with a qualified electrician if you are not sure the range hood is properly grounded.
- ▶ Do not have a fuse in the neutral or ground circuit.

READ AND SAVE THESE INSTRUCTIONS

- ▶ This appliance requires a 120V 60Hz electrical supply and connected to an individual properly grounded branch circuit protected by a 15 or 20 ampere circuit breaker or time delay fuse. Wiring must be 2 wire with ground. Please also refer to Electrical Diagram on product.
- ▶ A cable locking connector (not supplied) might also be required by local codes. Check with local requirements, purchase and install appropriate connector if necessary.

* National Fire Protection Association Batterymarch Park, Quincy, Massachusetts 02269

** CSA International 8501 East Pleasant Valley Road, Cleveland, Ohio 44131-5575

Federal Communication Commission Interface Statement

This equipment has been tested and found to comply with the limits for a Class B digital device, pursuant to Part 15 of the FCC Rules. These limits are designed to provide reasonable protection against harmful interference in a residential installation.

This equipment generates, uses and can radiate radio frequency energy and, if not installed and used in accordance with the instructions, may cause harmful interference to radio communications. However, there is no guarantee that interference will not occur in a particular installation. If this equipment does cause harmful interference to radio or television reception, which can be determined by turning the equipment off and on, the user is encouraged to try to correct the interference by one of the following measures:

- ▶ Reorient or relocate the receiving antenna.
- ▶ Increase the separation between the equipment and receiver.
- ▶ Connect the equipment into an outlet on a circuit different from that to which the receiver is connected.
- ▶ Consult the dealer or an experienced radio/TV technician for help.



WARNING



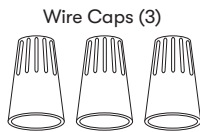
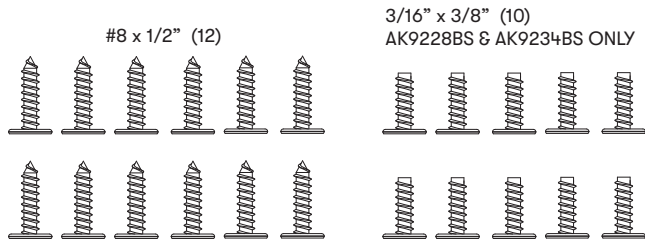
Prop. 65 Warning for California Residents: This product may contain chemicals known to the State of California to cause cancer, birth defects, or other reproductive harm.

List of Materials

Parts Supplied (AK9228BS & AK9234BS)

Parts Supplied (AK9240BS & AK9246BS)

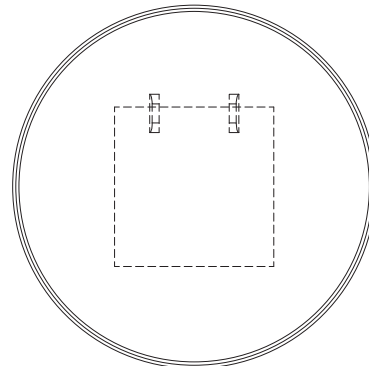
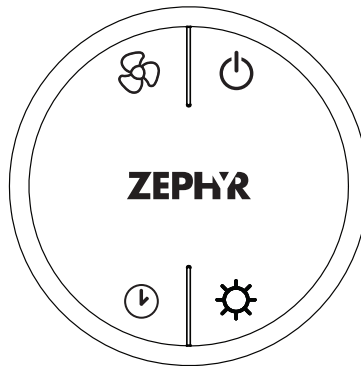
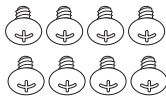
Quantity	Part	Quantity	Part
1	Liner hood body	1	Liner hood body
2	Pro baffle filters	2	Pro baffle filters (AK9240BS)
2	LumiLight LED, 6W (pre-installed)	3	Pro baffle filters (AK9246BS)
1	Internal blower (pre-installed)	2	LumiLight LED, 6W (pre-installed) (AK9240BS)
1	8" round adapter w/ damper	4	LumiLight LED, 6W (pre-installed) (AK9246BS)
2	Horizontal ducting blower mount brackets	1	Dual internal blower
1	Top rectangular cover plate	1	10" round adapter w/ damper
1	Hardware package	1	Hardware package



RF Remote Control (1)

Remote Holder (1)

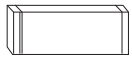

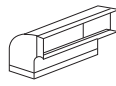
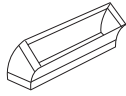
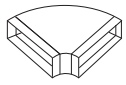
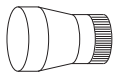
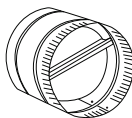
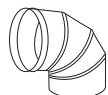
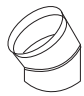
M4 x 6mm (8)
AK9240BS & AK9246BS (4)



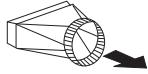
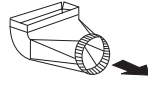
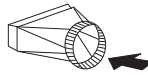
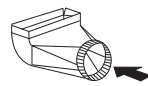
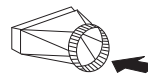
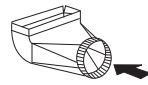
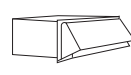
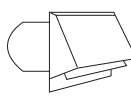

Parts Not Supplied

Ducting, conduit and all installation tools
Cable locking connector (if required by local codes)

Ducting Calculation Sheet

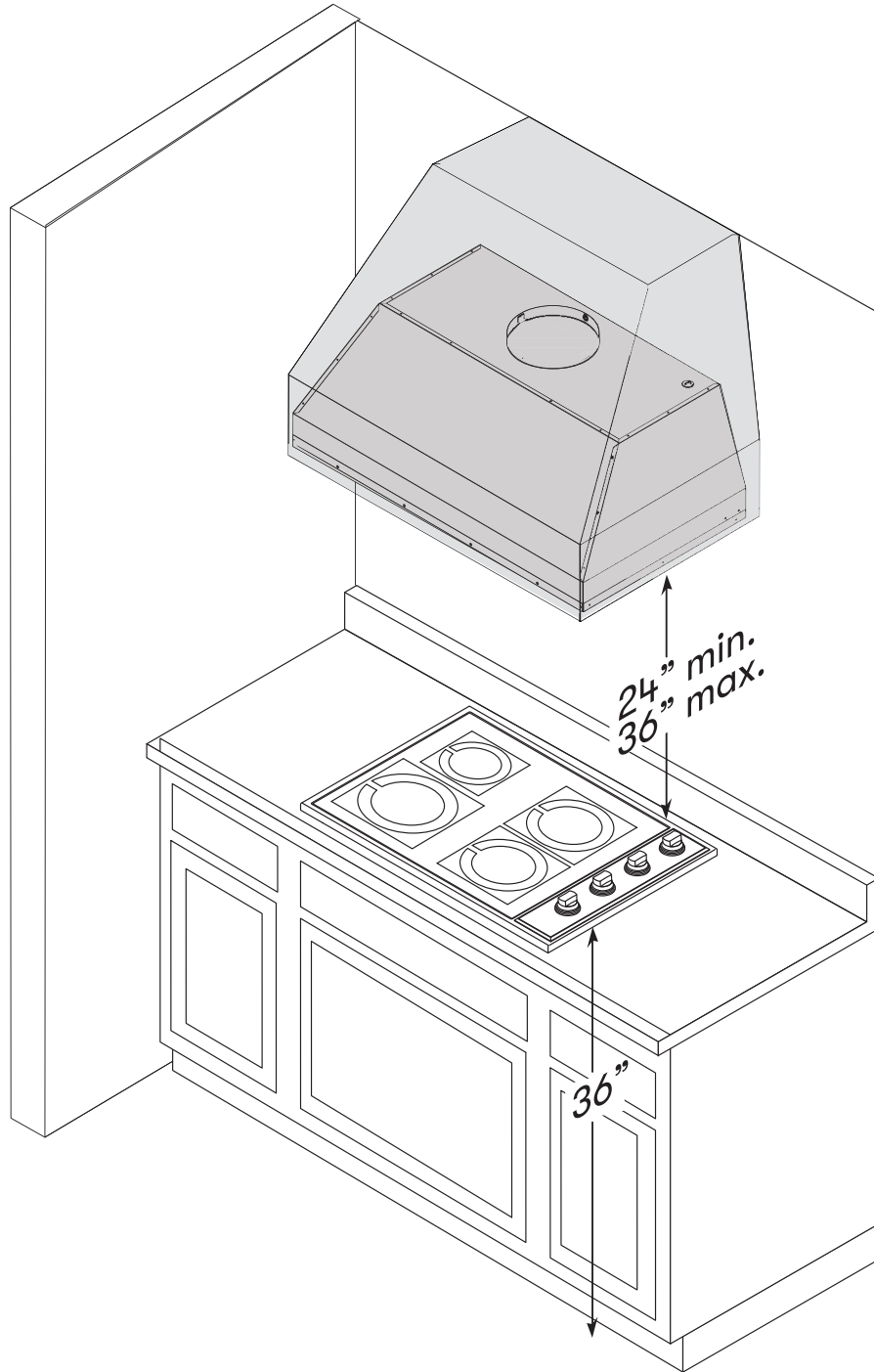
Duct pieces		Equivalent number length x used =	Total
	3-1/4" x 10" Rect., straight	1 Ft. x () =	Ft.
	6", 7", 8", 10" Round, straight	1 Ft. x () =	Ft.
	3-1/4" x 10" Rect. 90° elbow	15 Ft. x () =	Ft.
	3-1/4" x 10" Rect. 45° elbow	9 Ft. x () =	Ft.
	3-1/4" x 10" Rect. 90° flatelbow	24 Ft. x () =	Ft.
	7" to 6" or 8" to 7" Round tapered reducer	25 Ft. x () =	Ft.
	6", 7", 8" Round in-line damper	15 Ft. x () =	Ft.
	6", 7", 8", 10" Round, 90° elbow	15 Ft. x () =	Ft.
	6", 7", 8", 10" Round, 45° elbow	9 Ft. x () =	Ft.
Subtotal column 1 =			Ft.

Maximum Duct Length: For satisfactory air movement, the total duct length should not exceed 150 equivalent feet.

Duct pieces		Equivalent number length x used =	Total
	3-1/4" x 10" Rect. to 6" round transition	5 Ft. x () =	Ft.
	3-1/4" x 10" Rect. to 6" round transition 90° elbow	20 Ft. x () =	Ft.
	6" round to 3-1/4" x 10" rect. transition	1 Ft. x () =	Ft.
	6" round to 3-1/4" x 10" rect. transition 90° elbow	16 Ft. x () =	Ft.
	7" round to 3 1/4" x 10" rect. transition	8 Ft. x () =	Ft.
	7" round to 3-1/4" x 10" rect. transition 90° elbow	23 Ft. x () =	Ft.
	3-1/4" x 10" Rect. wall cap with damper	30 Ft. x () =	Ft.
	6", 7", 8", 10" Round, wall cap with damper	30 Ft. x () =	Ft.
	6", 7", 8", 10" Round roof cap	30 Ft. x () =	Ft.
Subtotal column 2 =			Ft.
Subtotal column 1 =			Ft.
Total ductwork =			Ft.

Installation Instructions

Mounting Height, Clearance, & Ducting



Mounting Height, Clearance, & Ducting

A minimum of 8" round for AK9228BS and AK9234BS must be used to maintain maximum air flow efficiency.

A minimum of 10" round duct for AK9240BS and AK9246BS must be used to maintain maximum air flow efficiency. Horizontal ducting is not available for AK9240BS and AK9246BS.

Always use rigid type metal ducts only. Flexible ducts could restrict air flow by up to 50%.

Also use the ducting calculation sheet (on page 11) to compute total available duct run when using elbows, transitions and caps.

ALWAYS, when possible, reduce the number of transitions and turns. If long duct run is required, increase duct size.

If turns or transitions are required; install as far away from hood duct output and as far apart, between the two as possible.

Minimum mount height between range top to hood bottom should be no less than 24".

Maximum mount height should be no higher than 36".

It is important to install the hood at the proper mounting height. Hoods mounted too low could result in heat damage and fire hazard; while hoods mounted too high will be hard to reach and will lose its performance and efficiency.


If available, also refer range manufacturer's height clearance requirements and recommended hood mounting height above range.

For shipment and installation damages:

- ▶ Please fully inspect unit for damage before installation.
- ▶ If the unit is damaged in shipment, return the unit to the store in which it was bought for repair or replacement.
- ▶ If the unit is damaged by the customer, repair or replacement is the responsibility of the customer.
- ▶ If the unit is damaged by the installer (if other than the customer), repair or replacement must be made by arrangement between customer and installer.

Installation Instructions

Ducting Options

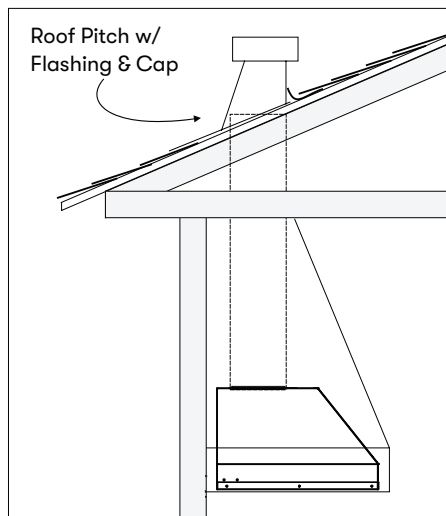
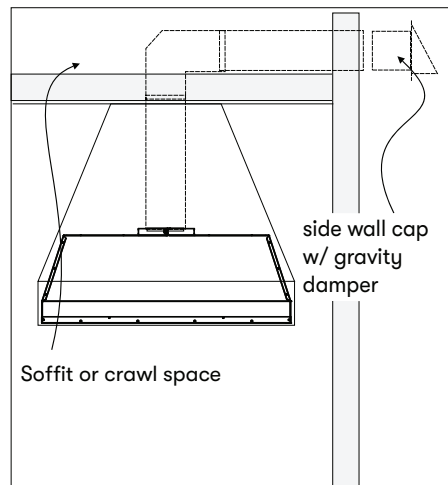
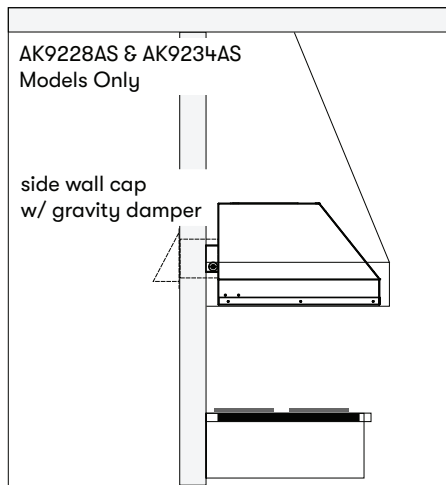


WARNING

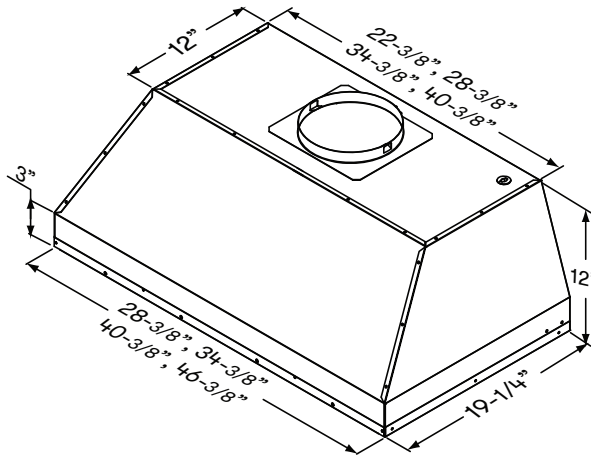


Fire Hazard: NEVER exhaust air or terminate ductwork into spaces between walls, crawl spaces, ceilings, attics, or garages. All exhaust must be ducted to the outside, unless using the recirculating option.

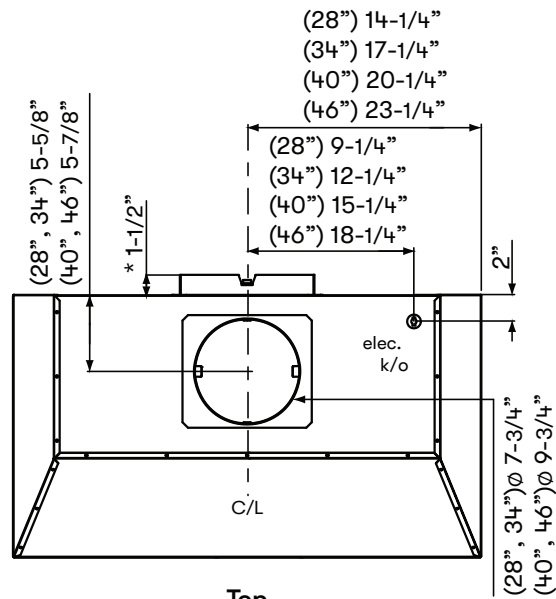
- ▶ Use single wall rigid metal ductwork only.
- ▶ Fasten all connections with sheet metal screws and tape all joints w/ certified Silver Tape or Duct Tape.



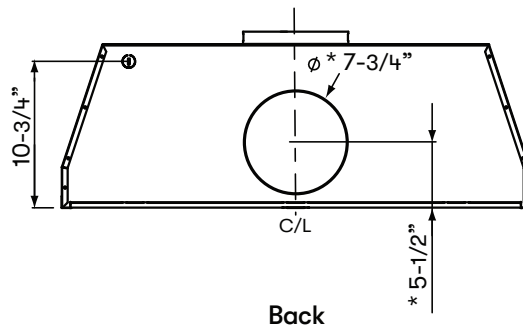
Hood Specifications



3/4 View



Top

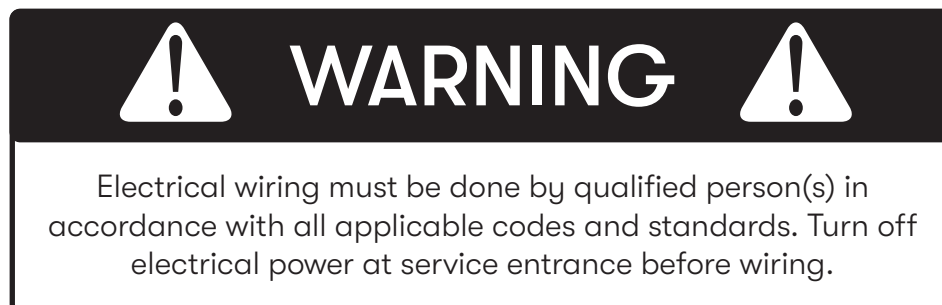


Back

* Dimensions for 28" and 34" model sizes only

Installation Instructions

Electrical Supply



For personal safety, remove house fuse or open circuit breaker before beginning installation. Do not use extension cord or adapter plug with this appliance.

Follow national electrical codes or prevailing local codes and ordinances.

This appliance requires a 120V 60Hz electrical supply, and connected to an individual, properly grounded branch circuit, protected by a 15 or 20 ampere circuit breaker or time delay fuse. Wiring must be 2 wire w/ ground. Please also refer to the Electrical Diagram labeled on product.

Cable Lock

A cable locking connector (not supplied) might be required by local codes. Check with local requirements and codes, purchase and install appropriate connector if necessary. (FIG. A)

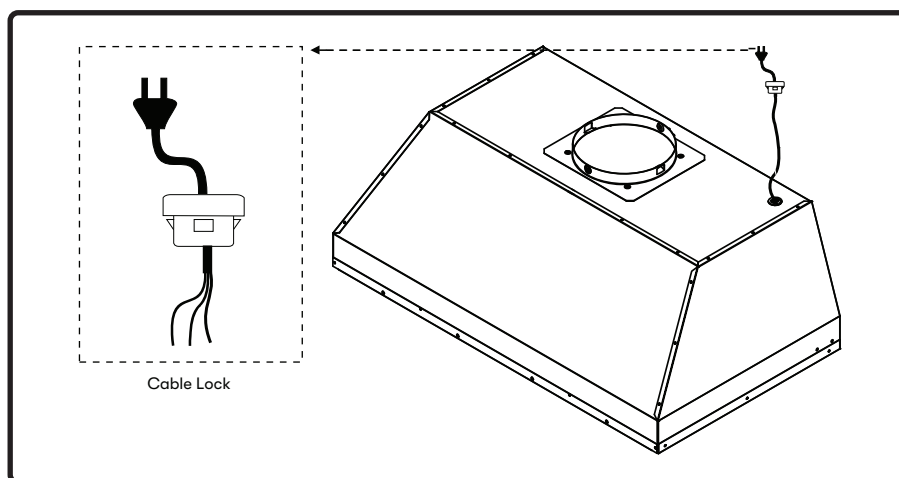


FIG. A

Preparation & Installation



CAUTION

At least two installers are required due to the weight and size of the liner.

1. Remove all packing materials and protective film prior to installation. Use caution during installation to prevent scratches or damage to the stainless steel.
2. Cut out an opening in the bottom of the cabinet by following the dimensions in FIG. B. If ducting the one piece liner horizontally, also cut out an opening in the back of the cabinet (if applicable). FIG. C.
3. Prepare liner for installation into cabinet by following the steps on page 19-20 for vertical ducting or pages 21-22 for horizontal ducting. Continue to Step 4 after preparation is completed.



WARNING

Make sure the surface you are securing the liner to is capable of holding the weight of AK92. Failure to do so may cause personal injury or damage to cooking surface or counter.

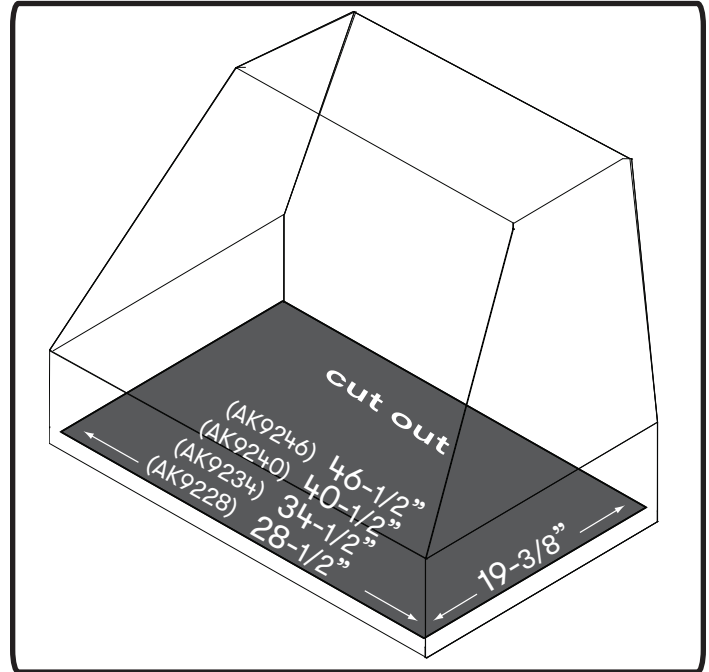


FIG. B

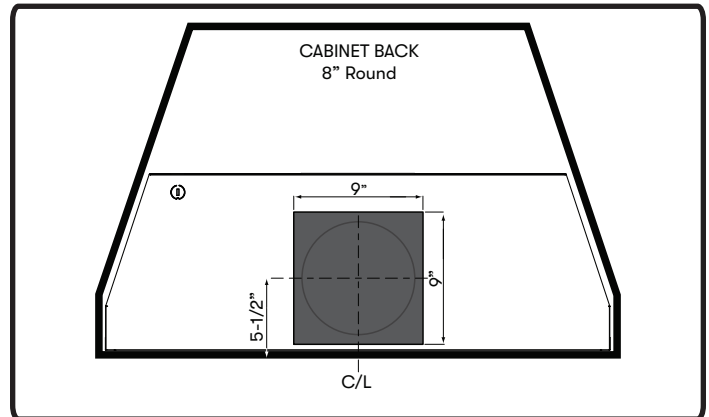


FIG. C

Installation Instructions

Preparation & Installation

4. Lift liner into bottom opening of cabinet and secure to interior of cabinet using (8) #8 x 1/2" stainless steel screws; (4) screws in the front and (4) screws in the sides. FIG. D.
5. Finalize installation of electrical and duct work. Seal duct work with certified aluminum duct tape. Power on liner, check for leaks around duct tape and verify proper operation.

NOTE: If access to top of liner is not available after installation, electrical and duct work connection may need to be made prior to installing the liner.

6. Re-install the previously removed bottom panel, side spacer panels (if applicable), grease tray, and baffle filters.

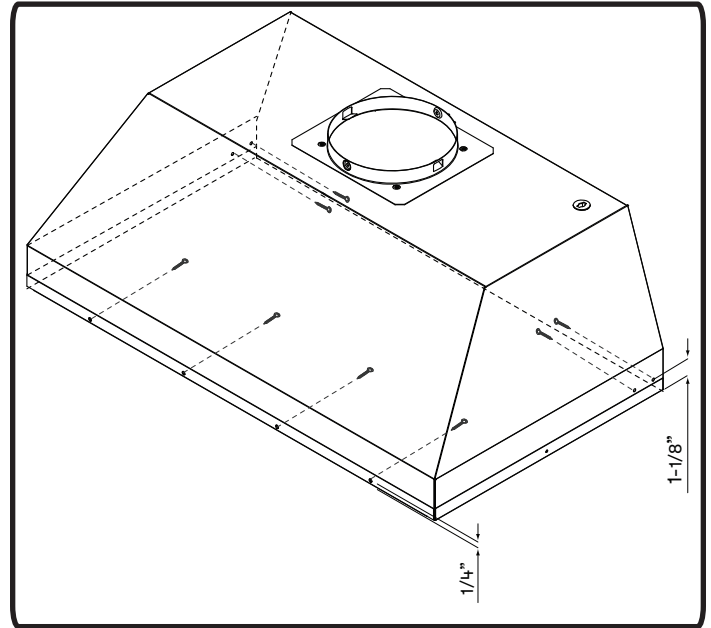
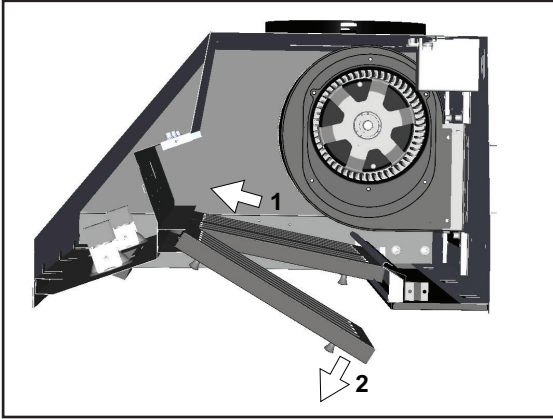
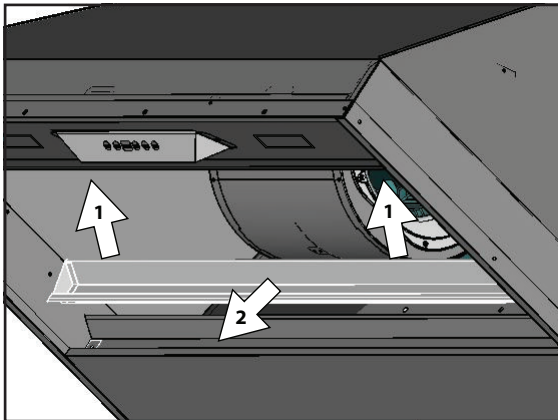


FIG. D

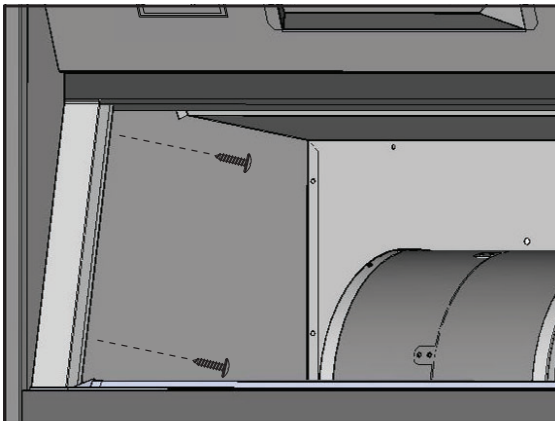
Vertical Ducting Preparation



1. Remove baffle filters by: 1) Pulling filter toward front of liner. 2) Pivoting rear of filter down.



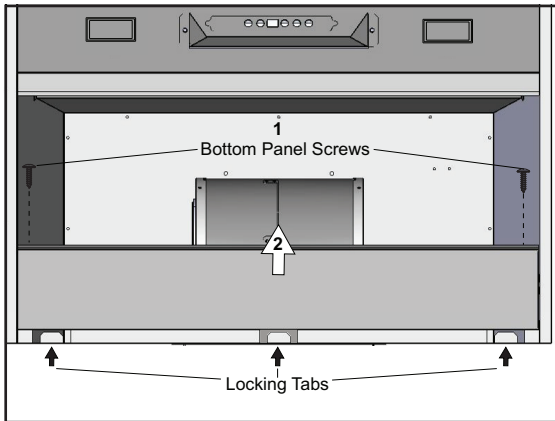
2. Remove grease tray by: 1) Pulling up on tray to release from bottom panel. 2) Lifting tray out of liner body.



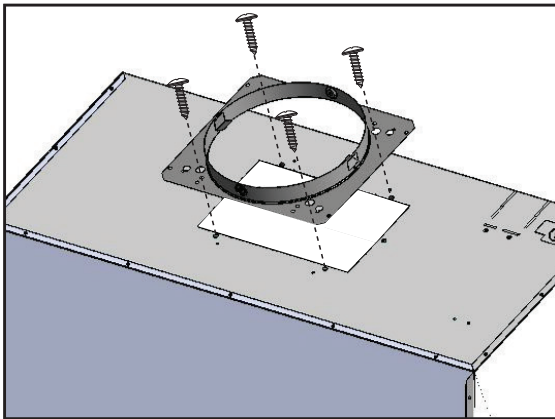
3. (If applicable) Remove left and right side-spacer panels by removing (2) screws from behind each panel.

Installation Instructions

Vertical Ducting Preparation



4. Remove bottom panel by: 1) Removing (2) screws from left and right sides of bottom panel. 2) Pulling bottom panel toward front of liner to release from locking tabs.

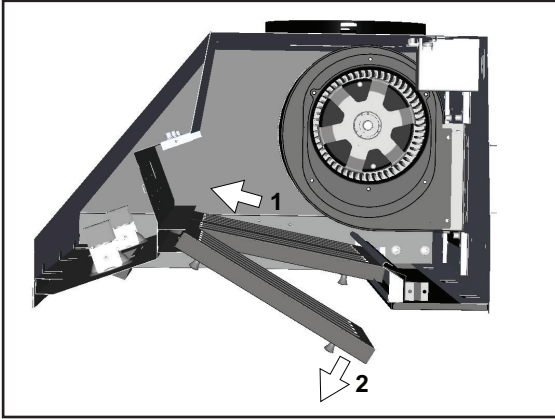


5. Secure 8" round adapter or 10" round adapter to top of liner by (4) M4 x 6mm screws.



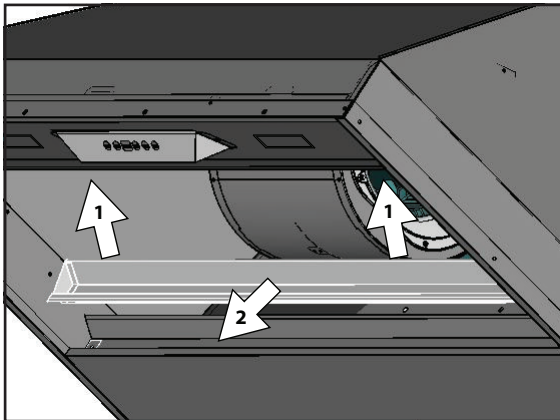
6. Vertical ducting preparation is complete. Refer to page 18, step 4 to complete installation.

Horizontal Ducting Preparation

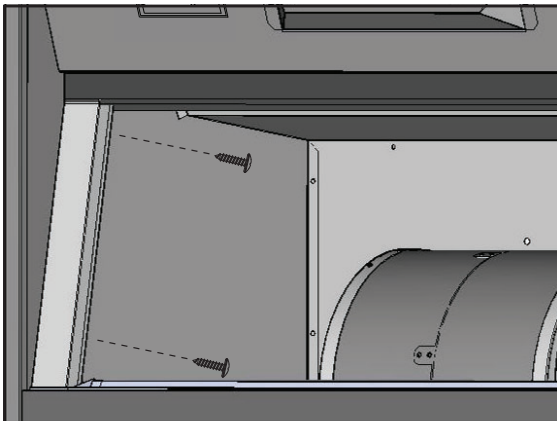


AK9228BS & AK9234BS Models Only

1. Remove baffle filters by: 1) Pulling filter toward front of liner. 2) Pivoting rear of filter down.



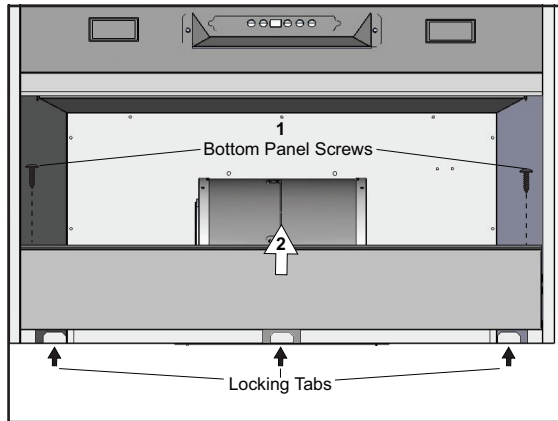
2. Remove grease tray by: 1) Pulling up on tray to release from bottom panel. 2) Lifting tray out of liner body.



3. (If applicable) Remove left and right side-spacer panels by removing (2) screws from behind each panel.

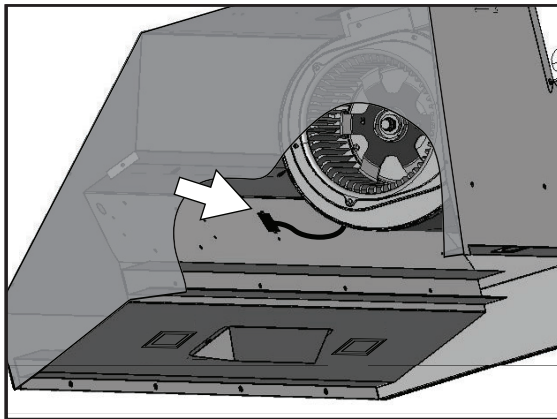
Installation Instructions

Horizontal Ducting Preparation

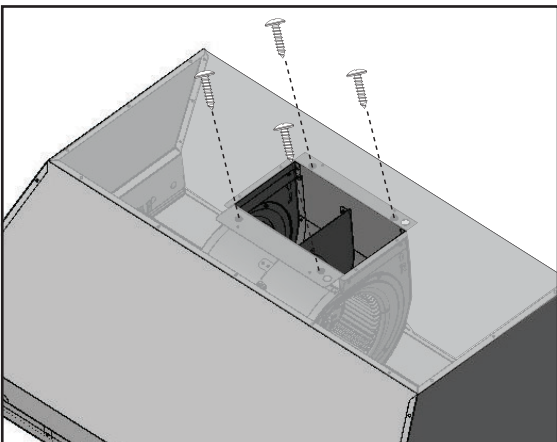


AK9228BS & AK9234BS Models Only

4. Remove bottom panel by: 1) Removing (2) screws from left and right sides of bottom panel. 2) Pulling bottom panel toward front of liner to release from locking tabs.

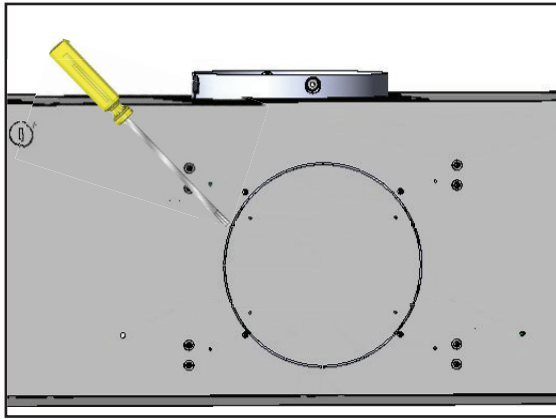


5. Disconnect blower molex plug.



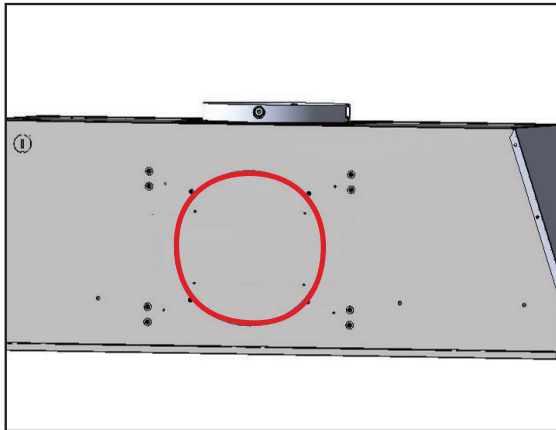
6. Remove blower from liner by removing the (4) 3/16" x 3/8" screws from the top of the liner. Set screws aside for later usage.

Horizontal Ducting Preparation

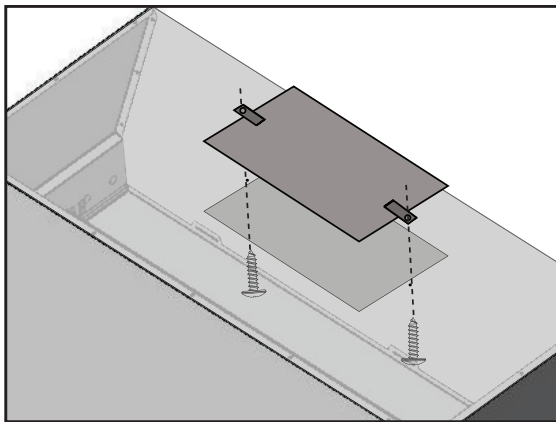


AK9228BS & AK9234BS Models Only

7. Using a flat head screwdriver, remove 8" round knock-out plates at the back of the liner.



8. Remove the round ducting knock-out.

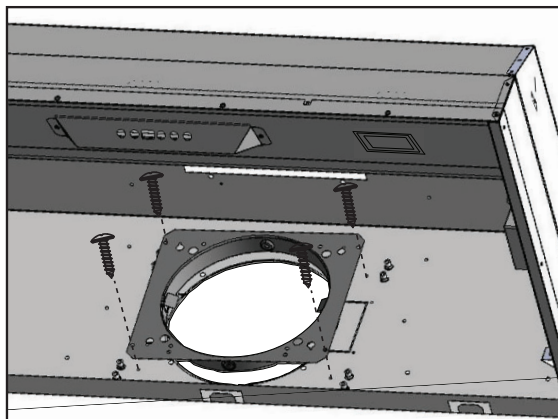


9. Place top rectangular cover plate over opening on top of the liner.
NOTE: Make sure the cover plate tabs are on top of the cover plate as shown. From inside the liner, secure plate to top of liner with (2) 3/16 x 3/8 screws.

At this point, install the one piece liner into the cabinet by following the steps on Page 18, Step 4. After the liner installation, continue to page 24.

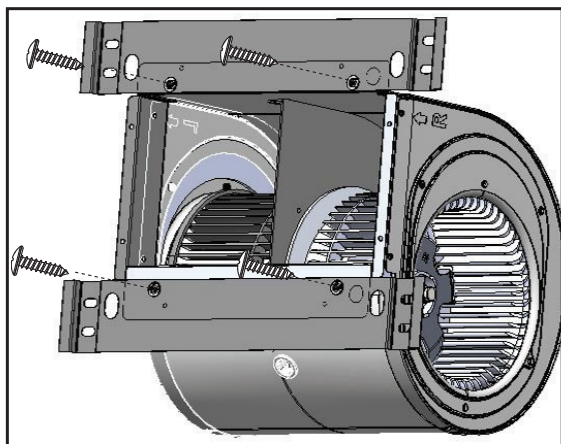
Installation Instructions

Horizontal Ducting Preparation

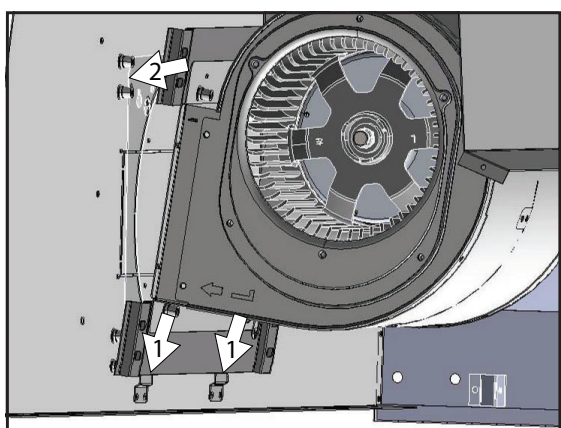


AK9228BS & AK9234BS Models Only

10. From inside the liner, push 8" round adapter through the back knock-out and secure to interior back wall of liner with (4) M4 x 6mm screws.

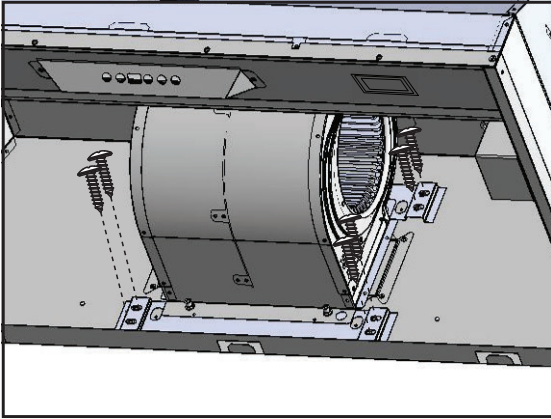


11. Secure (2) horizontal ducting blower brackets to blower as shown above by using the (4) 3/16" x 3/8" screws previously removed from Page 22, Step 6; (2) screws for each bracket.



12. Position blower inside liner body as shown by: 1) Rest the bottom horizontal ducting bracket on the two support clips located on the interior back wall of the liner. 2) Pivot top horizontal ducting bracket to meet captive nuts on interior back wall.

Horizontal Ducting Preparation



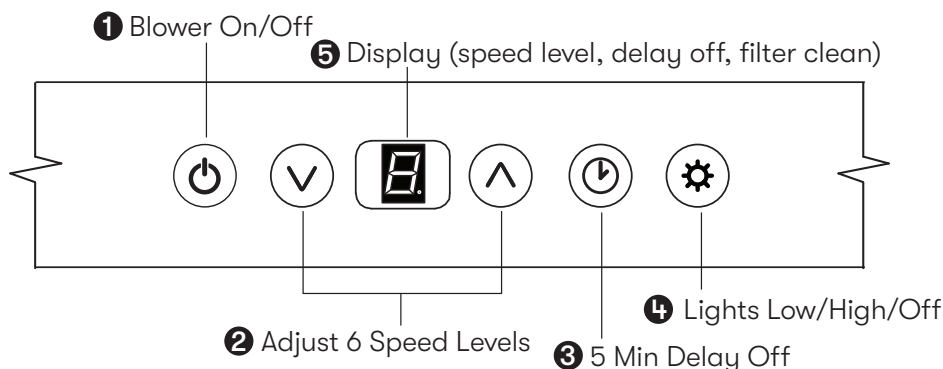
AK9228BS & AK9234BS Models Only

13. Secure blower to captive nuts on interior back wall of liner with (8) 3/16" x 3/8" screws, (4) screws for each bracket. Seal any gaps around the knock-out plate by using certified aluminum duct tape. Plug in blower moxex plug.

Horizontal ducting preparation is now complete. Refer to Page 18, Step 5 to complete installation.

Features & Controls

Touch Controls



1. Blower On/Off

By pressing (⏻) the blower is switched on and off. When switched on, the blower starts up on speed level 1.

ACT Verification

- Airflow Control Technology (ACT) allows the installer to set the maximum blower CFM to align with local codes and regulations.
 - To verify the maximum blower CFM for AK9228BS and AK9234BS models:
 - With hood off, hold the (⏻) button for 3-4 seconds. If number 6 displays = default max. CFM, if number 3 displays = max. 390 CFM, and if number 2 displays = max. 290 CFM.
 - To verify the maximum blower CFM for AK9240BS and AK9246BS models:
 - With hood off, hold the (⏻) button for 3-4 seconds. If number 6 displays = default max. CFM, if number 3 displays = max. 590 CFM, and if number 2 displays = max. 390 CFM.

2. Speed Selection

- Press (▽) to decrease fan speed. 6, 5, 4, 3, 2, 1.
- If fan is on Speed 1 and (▽) is pressed, the fan will power off.
- Press (△) to increase fan speed. Fan On, 1, 2, 3, 4, 5, 6.
- If hood is off and (△) is pressed, the fan will turn on speed 1.

ACT Enabled Speed Selections

- When ACT is enabled, the number of blower speeds will be reduced as follows:

<ul style="list-style-type: none"> AK9228BS & AK9234BS - 390 CFM = Maximum 3 speeds - 290 CFM = Maximum 2 speeds 	<ul style="list-style-type: none"> AK9240BS & AK9246BS - 590 CFM = Maximum 3 speeds - 390 CFM = Maximum 2 speeds
---	---

3. Delay Off

This feature is used for programmed shut down of blower 5 minutes after the function is activated. Press once, a dot flashes (⌚) in the lower right side of display (E) indicating the function is on. The blower will completely shut down after 5 minutes.

4. Lights Low/High/Off


Switch lights on to low by pressing (⚙️) once, press a second time for high and again to shut off lights.

5. Display Window


The display window indicates speed levels and features such as baffle filter clean reminder, delay off and clean air indicator.

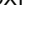


Touch Controls

Baffle Filter Clean Reminder

A set of baffle filters are fitted by the factory, these baffle filters are intended to filter out residue from cooking. The filters need not be replaced on a regular basis but are required to be kept clean. The BaffleFilter Clean reminder function in the microprocessor will automatically indicate by a flashing  when the baffle filters need to be cleaned after every 60 hours of use. Filters can be cleaned by hand with non-abrasive soap or in a dishwasher. Heavily soiled filters should also be soaked in grease cutting detergent prior to cleaning.

Baffle Filter Clean Indicator

When  flashes on the display, the baffle filters need to be cleaned. This will occur after every 60 hours of use.

Reset the filter clean reminder timer after filters are cleaned and re-installed. With hood off, press and hold  for approximately 5 seconds until  on display disappears . The filter clean reminder function is now reset and a new 60 hours elapse cycle is initiated.

Clean Filters

display < F > flashes



To Reset


hold 5 sec. display from < F > to < >



Clean Air Function

Clean Air is a feature that turns on the blower on low speed every 4 hours for 10 minutes to remove stagnant air in the kitchen. The Clean Air function is disabled by default and must be enabled by the user.

Clean Air Indicator

While Clean Air is active, the display will alternate between , , , .

After 10 minutes of Clean Air operation, the blower will power off and the 4 hour timer will reset.

If the blower speed is changed while the Clean Air Function is in use, the cycle will be interrupted and the timer will reset after.

To Enable

hold 3 sec.



display < A > flashes



To Disable

hold 3 sec.



display from < A > to < >



Features & Controls

RF Remote Control

FCC Caution

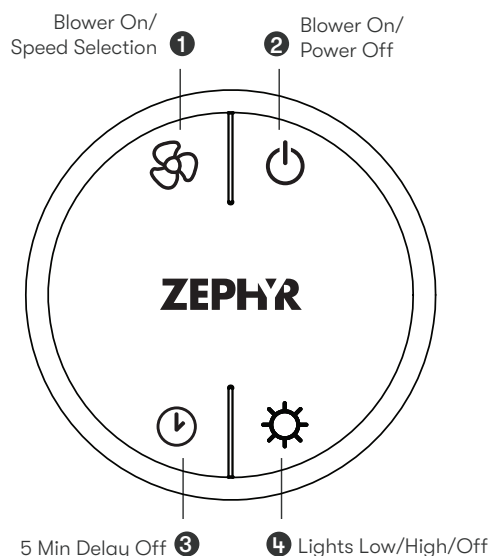
To assure continued compliance, any changes or modifications not expressly approved by the party responsible for compliance could void the user's authority to operate this equipment. (Example - use only shielded interface cables when connecting to computer or peripheral device. This device complies with Part 15 of the FCC Rules. Operation is subject to the following two conditions. (1) This device may not cause harmful interference, and (2) This device must accept any interference received, including interference that may cause undesired operation.

Synchronization

To create a unique link between your liner and remote control please follow these steps.

1. With liner off, press and hold the "lights" button on the liner until the letter "F" shows on the display screen.
2. Press the "lights" button on the remote, the lights on the liner will turn on and synchronization is complete.

RF Remote Control Functions



1 Blower On / Speed Selection

Press to power on blower and cycle through all six blower speeds.

2 Blower On / Power Off

By pressing , the blowers will power on at the last speed setting. Press again and the entire hood will power off, including lights.

3 Delay Off

By pressing , the blower and lights will enter Delay Off mode. A dot will appear in the lower right corner of the hood display indicating the function is on. The blower will change to speed 1 and shut down after 5 minutes.

4 Lights Low/High/Off

Switch lights to Low by pressing once, again to High and again to switch Off.

RF Remote Control

RF Remote Features

The RF remote control is equipped with a magnet on the back for easy storage. The remote may be placed on any magnetic surface such as a refrigerator or the Zephyr remote holder, FIG. E. The remote holder can be inserted into a standard electrical outlet for easy storage. Note: The remote holder does not charge the RF remote.

Maximum remote control communication distance is 15 feet from the liner.

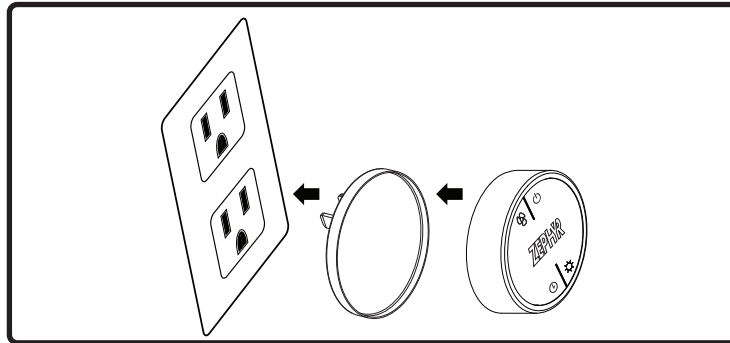


FIG. E

RF Remote Maintenance

Clean the remote control using non abrasive detergents.

Follow instructions below for replacing battery. Using a small flat head screwdriver, raise the cover of the battery door (A) in order to access the battery compartment. FIG. F.

Remove the battery and replace with battery type A23 12V. Negative end of battery should face the spring inside the remote.

Re-install battery door and recycle old battery.

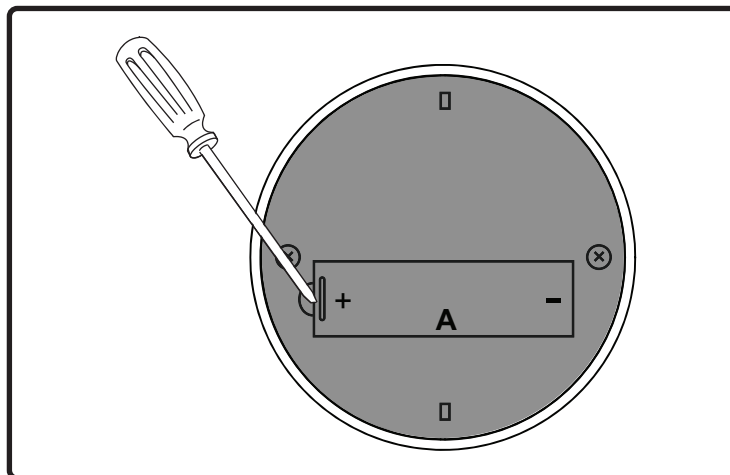


FIG. F

Maintenance

Hood & Filter Cleaning

Surface Maintenance

- ▶ Do not use corrosive detergents, abrasive detergents or oven cleaners.
- ▶ Do not use any product containing chlorine bleach or any product containing chloride.
- ▶ Do not use steel wool or abrasive scrubbing pads which will scratch and damage surface.

Cleaning Stainless Steel

Clean periodically with warm soapy water and clean cotton cloth or micro fiber cloth. Always rub in the direction of the stainless steel grain. To remove heavier grease build up use a liquid degreaser detergent.

After cleaning use a non-abrasive stainless steel polish/cleaners, to polish and buff out the stainless luster and grain. Always scrub lightly, with clean cotton cloth or micro fiber cloth and buff in the direction of the stainless steel grain.

Cleaning the Baffle Filters

The filters are intended to trap residue and grease from cooking. Although the filters should never need replacing, they are required to be cleaned every 30 days or when the Clean Filter Indicator is illuminated on the liner controls (F).

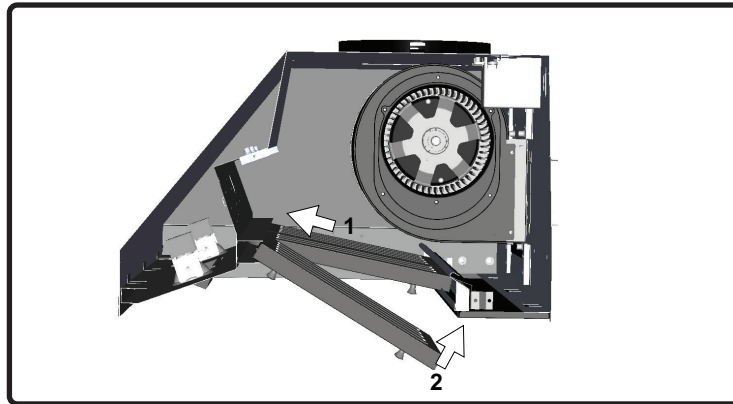
Filters may be placed in dishwasher at low heat or soaked in hot soapy water. Dry filters and re-install before using hood.

Cleaning the Grease Tray

The grease tray is intended to catch residue and grease that may drip from the baffle filters. The grease tray should be cleaned when baffle filters are cleaned. Clean the grease tray by soaking in hot soapy water and gently scrubbing any residue off with a soft terry cloth. Dry grease tray and re-install before using hood.

Installing the Baffle Filters, FIG. G:

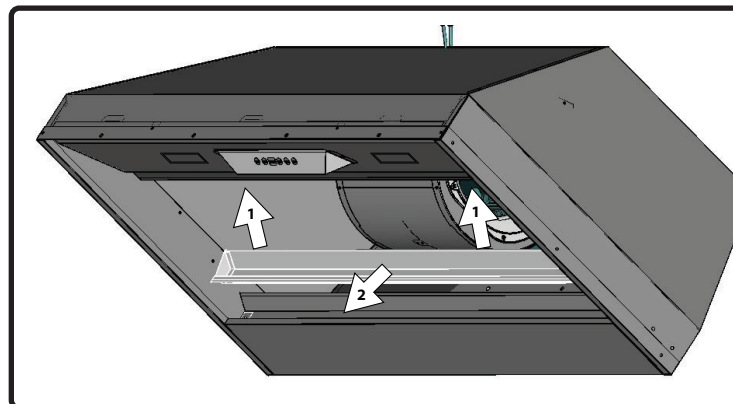
1. Place filter into top groove of the liner as shown and pull towards front of liner using handles.
2. Pivot back of filter upwards so it is angled in the liner.
3. Push filter into channel on back of liner to lock into place.

**FIG. G****Removing the Grease Tray**

Grease tray has a hooked lip that attaches to bottom panel top edge.

Remove grease tray by:

1. Pull up on tray to release from bottom panel. FIG. H1
2. Pull tray out of liner body. FIG. H2

**FIG. H**

Maintenance

LumiLight LED

In the unlikely event that your LumiLight LED fails, please contact Zephyr to order replacement parts.

See the list of parts and accessories page for part numbers and contact information.

LED Removal (FIG. I):

1. Remove baffle filters.
2. Remove light panel by five screws.
3. Disconnect LED light quick connector.
4. Push in the two side clips on the ends of the LED light.
5. Push LED light through the light panel opening.

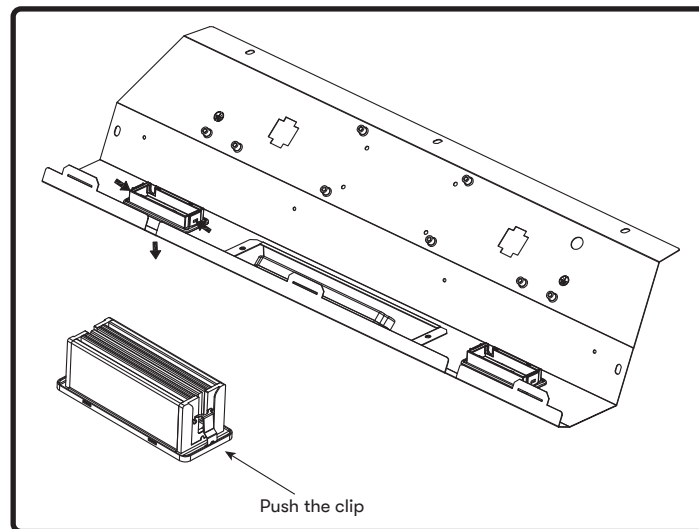
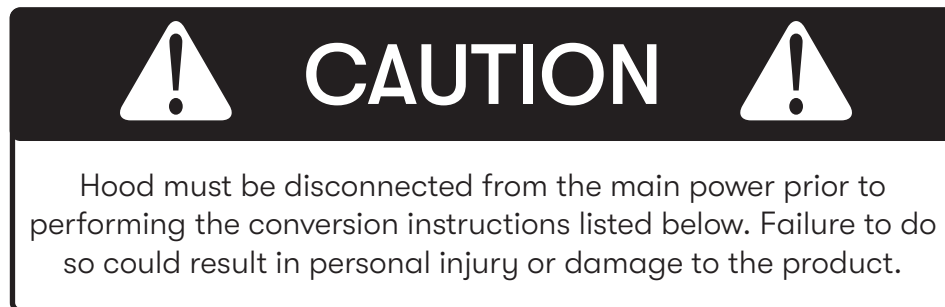


FIG. I

Airflow Control Technology (ACT™)

Some local codes limit the maximum amount of CFM a range hood can move. ACT™ allows you to control the maximum blower CFM of select Zephyr Ventilation range hoods without the need for expensive make up air kits. ACT™ enables the installer to easily set the maximum blower speed to one of two most commonly specified CFM levels; AK9228BS & AK9234BS - 290 or 390 CFM, AK9240BS & AK9446BS - 590 or 390 CFM. The usage of ACT™ may not be necessary for your installation. Please check your local codes for CFM restrictions.

By default, the maximum blower CFM is set to 600 for AK9228BS & AK9234BS and 1200 for AK9240BS & AK9246BS.



Enabling ACT™

To enable ACT™:

1. Before hood installation, gain access to PC board by following the steps shown on FIG. J.
2. Change plastic jumper positioning as shown in FIG. K to set the desired maximum blower CFM.
3. Re-install PC board and continue with hood installation.
4. Remove the appropriate foil CFM sticker included with the hood literature and place inside the hood body below the wiring diagram or in another clearly visible location.

To verify if your installer enabled ACT™:

1. **Model AK9228BS & AK9234BS:** With hood off, press and hold the power button for three seconds. If the number 6 displays = default max. CFM, if the number 3 displays = max. 390 CFM, and if the number 2 displays = max. 290 CFM.
Model AK9240BS & AK9246BS: With hood off, press and hold the power button for three seconds. If the number 6 displays = default max. CFM, if the number 3 displays = max. 590 CFM, and if the number 2 displays = max. 390 CFM.
2. When ACT™ is enabled, the number of blower speeds will be reduced as follows:
AK9228BS & AK9234BS: 390 CFM = max. 3 speeds and 290 CFM = max. 2 speeds.
AK9240BS & AK9246BS: 590 CFM = max. 3 speeds and 390 CFM = max. 2 speeds.
3. There should also be a foil label located inside the hood body near the wiring diagram that indicates the blower CFM.

Enabling ACT™

1. PC board located behind the light panel.
2. (If applicable) Remove both spacer panels by 2 screws for each spacer panel.
3. Remove 5 screws attaching light panel.

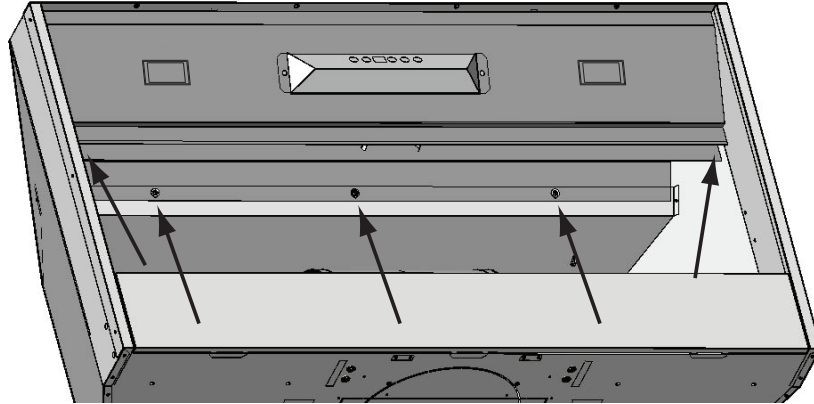


FIG. J

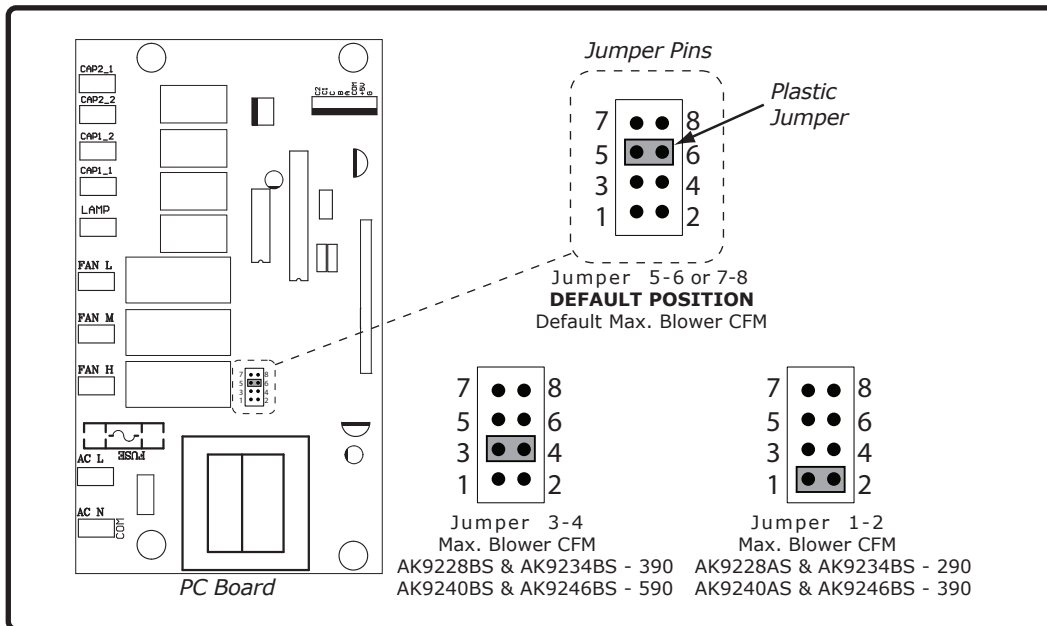
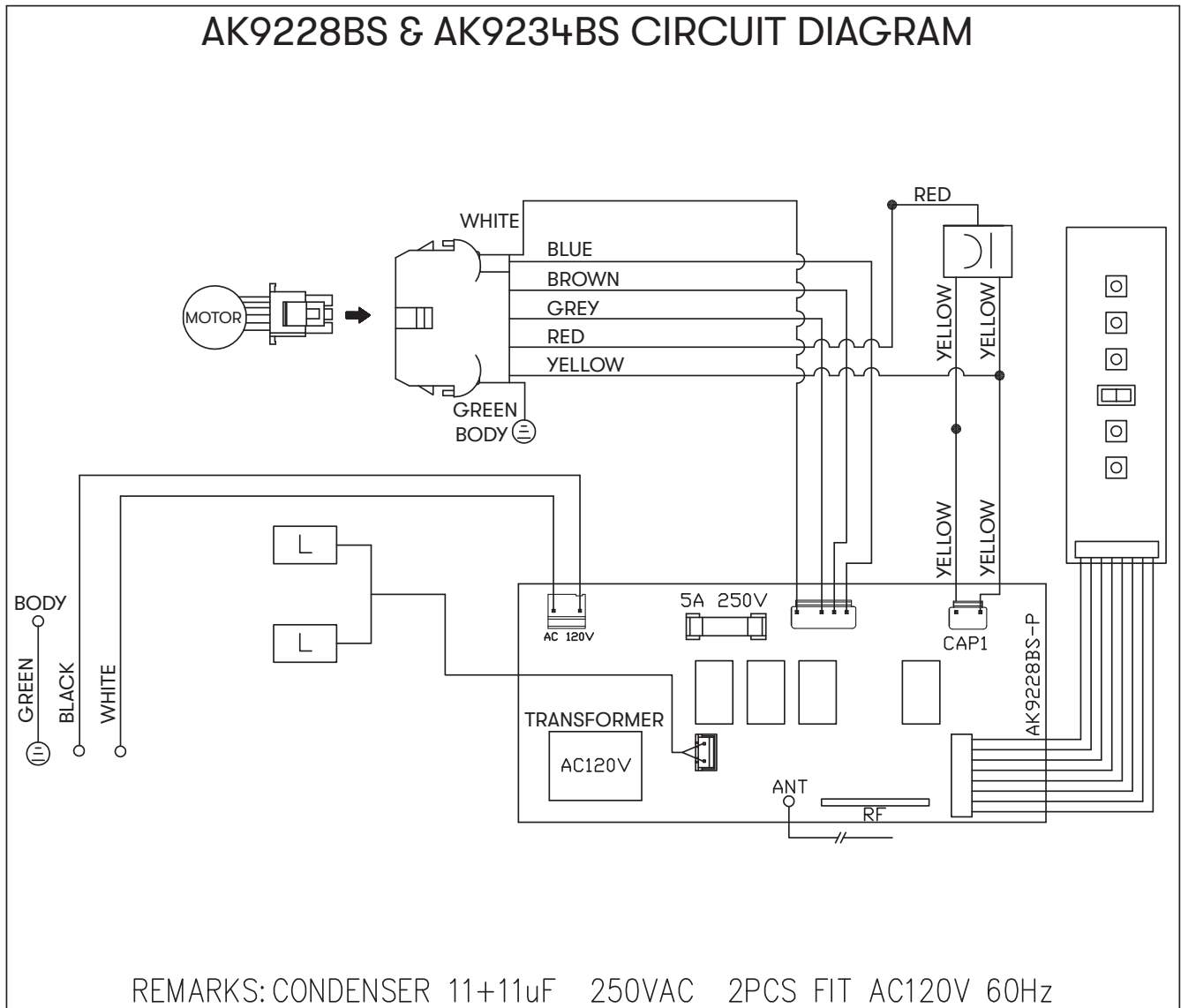


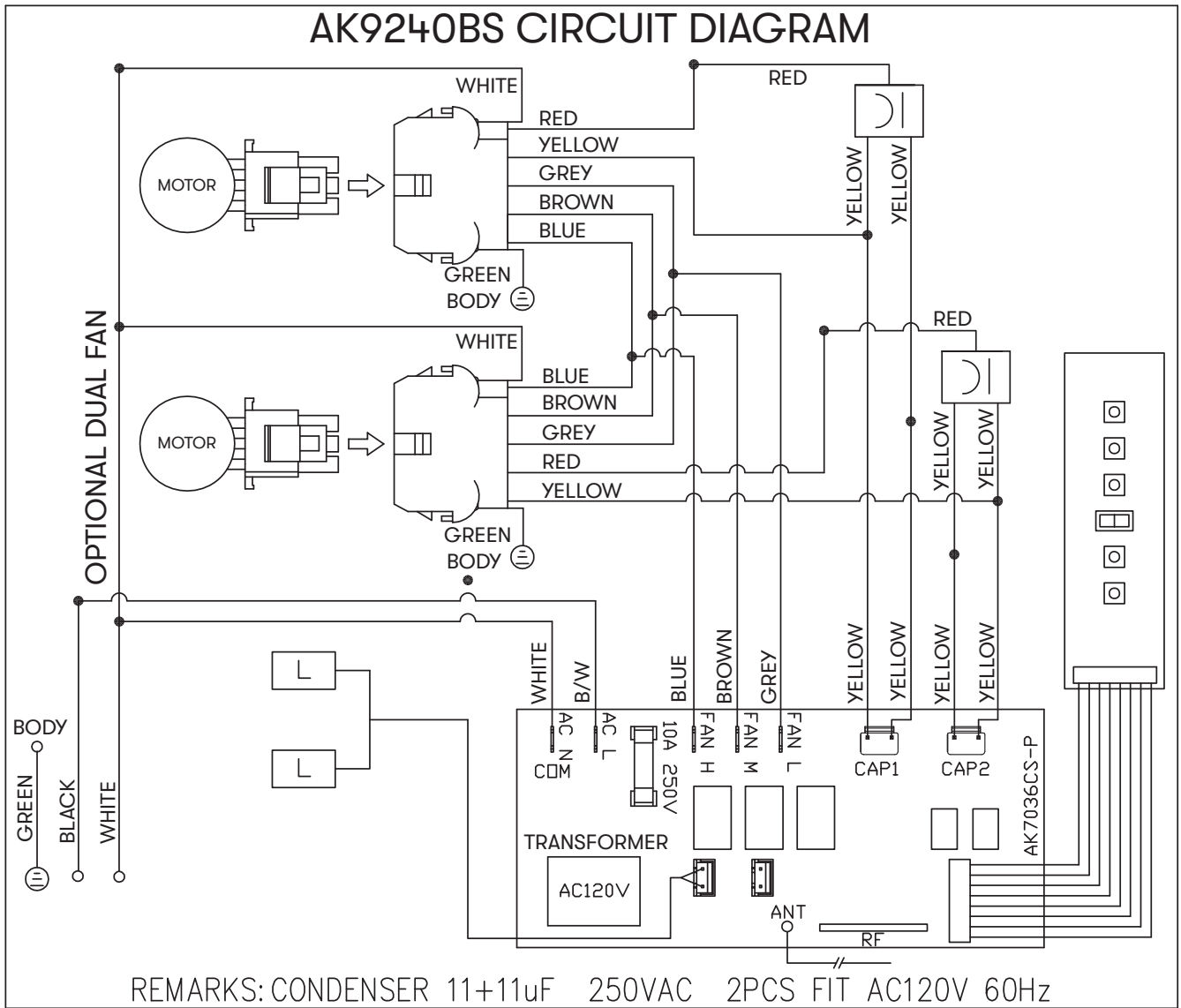
FIG. K

Wiring Diagram



ACT 390 CFM - Fan Max. 355W @ 3.0A

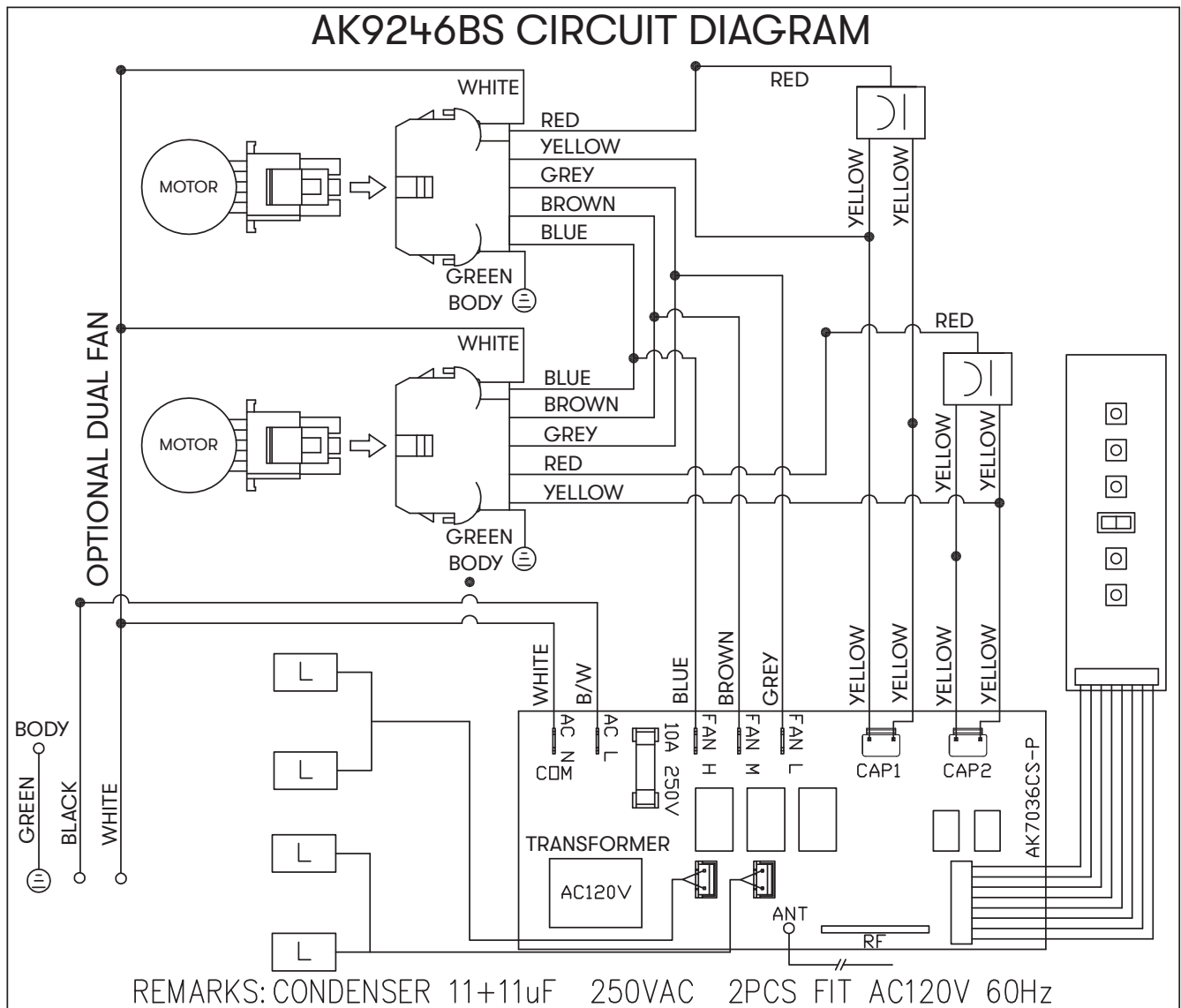
ACT 290 CFM - Fan Max. 255W @ 2.4A



ACT 590 CFM - Fan Max. 556W @ 4.6A

ACT 390 CFM - Fan Max. 381W @ 3.4A

Wiring Diagram



ACT 590 CFM - Fan Max. 556W @ 4.6A

ACT 390 CFM - Fan Max. 381W @ 3.4A

Possible Problem	Possible Cause	Solutions
After installation, the unit doesn't work.	The power source is not turned ON.	Make sure the circuit breaker and the unit's power is ON.
	The power line and the cable locking connector is not connecting properly.	Check the power connection with the unit is connected properly.
	The switch board or control board wirings are disconnected.	Make sure the wirings at the switch board and control board are connected properly.
	The switch board or control board is defective.	Change the switch board or control board.
	The wires on control board are loose.	Make sure the wires on the control board are connected properly.
Light works, but blower is not turning.	The blower wire is not connected.	Make sure the blower wire is plugged into the molex connector.
	The thermally protected system detects if the blower is too hot to operate and shuts the blower down.	The blower will function properly after the thermally protected system cool down.
	Damaged capacitor.	Change the capacitor.
	Blower molex plug pin is not making contact.	Disconnect the blower molex plug, check pins inside plug to see if pin is pushed inside the plug too far. Reset pin if needed.
	The blower is defective, possibly seized.	Change the blower.
The unit is vibrating.	The blower is not secured in place.	Tighten the blower in place.
	Damaged blower wheel.	Replace the blower.
	The hood is not secured in place.	Check the installation of the hood.
The unit is whistling.	A filter is not in the correct position.	Adjust the filters until the whistling stops.
	The duct pipe connections are not sealed or connected properly.	Check the duct pipe connections to be sure all connections are sealed properly.
The blower is working, but the lights are not.	The LED light connector is disconnected.	Connect the LED light connector.
	Defective LED light.	Change the LED light.
	The switch board or control board is defective.	Change the switch board or control board.

Troubleshooting

Possible Problem	Possible Cause	Solutions
The hood is not venting out properly.	Using the wrong size of ducting.	Change the ducting to the correct size
	The hood might be hanging too high from the cook top.	Adjust the distance between the cook top and the bottom of the hood within 24" and 36" range.
	The wind from the opened windows or opened doors in the surrounding area are affecting the ventilation of the hood.	Close all the windows and doors to eliminate the outside wind flow.
	Blockage in the duct opening or ductwork.	Remove all the blocking from the duct work or duct opening.
The unit turns on by itself.	A spot light is shining directly onto the switch controls.	The switch controls are light sensitive. A direct light source onto the switch controls may disrupt switch functions.
Filter is vibrating	Filter is loose.	Adjust or change the filter.
	Spring clip is broken on the filter.	Change the spring clip.
RF Remote control does not work.	Battery is dead.	Replace battery with type A23 12v.
	Poor communication with the liner.	Remote control must be within 15 ft of liner.
	RF Remote lost communication with the liner.	Reset liner and remote by switching power off at the circuit breaker for 5 minutes. Place remote on counter top near the liner and switch the circuit breaker back on.

Description	Part Number
Replacement Parts	
LumiLight LED, 6W	ZOB0047
Pro Baffle Filter, each	50210039
RF Remote Control	14000005
Optional Accessories	
Make-up Air Kit (600 CFM)	MUA006A
Make-up Air Kit (1200 CFM)	MUA010A

To order parts, visit us online at <http://store.zephyronline.com> or call us at 1.888.880.8368.

Notes

CORE

MONSOON I

INSERT

**TO OBTAIN SERVICE UNDER WARRANTY OR FOR ANY SERVICE RELATED QUESTIONS, please call:
1-888-880-8368**

Zephyr Ventilation, LLC (referred to herein as “we” or “us”) warrants to the original consumer purchaser (referred to herein as “you” or “your”) of Zephyr products (the “Products”) that such Products will be free from defects in materials or workmanship as follows:

Three Year Limited Warranty for Parts: For three years from the date of your original purchase of the Products, we will provide, free of charge, Products or parts (including LED light bulbs, if applicable) to replace those that failed due to manufacturing defects subject to the exclusions and limitations below. We may choose, in our sole discretion, to repair or replace parts before we elect to replace the Products.

One Year Limited Warranty for Labor: For one year from the date of your original purchase of the Products, we will provide, free of charge, the labor cost associated with repairing the Products or parts to replace those that failed due to manufacturing defects subject to the exclusions and limitations below. After the first year from the date of your original purchase, you are responsible for all labor costs associated with this warranty.

Warranty Exclusions: This warranty covers only repair or replacement, at our option, of defective Products or parts and does not cover any other costs related to the Products including but not limited to: (a) normal maintenance and service required for the Products and consumable parts such as fluorescent, incandescent or halogen light bulbs, mesh and charcoal filters and fuses; (b) any Products or parts which have been subject to freight damage, misuse, negligence, accident, faulty installation or installation contrary to recommended installation instructions, improper maintenance or repair (other than by us); (c) commercial or government use of the Products or use otherwise inconsistent with its intended purpose; (d) natural wear of the finish of the Products or wear caused by improper maintenance, use of corrosive and abrasive cleaning products, pads, and oven cleaner products; (e) chips, dents or cracks caused by abuse or misuse of the Products; (f) service trips to your home to teach you how to use the Products; (g) damage to the Products caused by accident, fire, floods, acts of God; or (h) Custom installations or alterations that impact serviceability of the Products. If you are outside our service area, additional charges may apply for shipping costs for warranty repair at our designated service locations and for the travel cost to have a service technician come to your home to repair, remove or reinstall the Products. After the first year from the date of your original purchase, you are also responsible for all labor costs associated with this warranty. All Products must be installed by a qualified professional installer to be eligible for warranty repairs or service.

Limitations of Warranty. OUR OBLIGATION TO REPAIR OR REPLACE, AT OUR OPTION, SHALL BE YOUR SOLE AND EXCLUSIVE REMEDY UNDER THIS WARRANTY. WE SHALL NOT BE LIABLE FOR INCIDENTAL, CONSEQUENTIAL OR SPECIAL DAMAGES ARISING OUT OF OR IN CONNECTION WITH THE USE OR PERFORMANCE OF THE PRODUCTS. THE EXPRESS WARRANTIES IN THE PRECEDING SECTION ARE EXCLUSIVE AND IN LIEU OF ALL OTHER EXPRESS WARRANTIES. WE HEREBY DISCLAIM AND EXCLUDE ALL OTHER EXPRESS WARRANTIES FOR THE PRODUCTS, AND DISCLAIM AND EXCLUDE ALL WARRANTIES IMPLIED BY LAW, INCLUDING THOSE OF MERCHANTABILITY AND FITNESS FOR A PARTICULAR PURPOSE.

Some states or provinces do not allow limitations on the duration of an implied warranty or the exclusion or limitation of incidental or consequential damages, so the above limitations or exclusions may not apply to you. To the extent that applicable law prohibits the exclusion of implied warranties, the duration of any applicable implied warranty is limited to the same three-year and one-year periods described above if permitted by applicable law. Any oral or written description of the Products is for the sole purpose of identifying the Products and shall not be construed as an express warranty. Prior to using, implementing or permitting use of the Products, you shall determine the suitability of the Products for the intended use, and you shall assume all risk and liability whatsoever in connection with such determination. We reserve the right to use functionally equivalent refurbished or reconditioned parts or Products as warranty replacements or as part of warranty service. This warranty is not transferable from the original purchaser and only applies to the consumer residence where the Product was originally installed located in the United States and Canada. This warranty is not extended to resellers.

To Obtain Service Under Limited Warranty: To qualify for warranty service, you must: (a) notify us at the address or telephone number stated below within 60 days of the discovery of the defect; (b) give the model number and serial number; and (c) describe the nature of any defect in the Product or part. At the time of the request for warranty service, you must present evidence of your proof of purchase and proof of the original purchase date. If we determine that the warranty exclusions listed above apply or if you fail to provide the necessary documentation to obtain service, you will be responsible for all shipping, travel, labor and other costs related to the services. This warranty is not extended or restarted upon warranty repair or replacements.

Please check our website for any additional Product information, www.zephyronline.com.

Zephyr Ventilation Service Department, 2277 Harbor Bay Parkway, Alameda, CA 94502 1-888-880-8368

MAY20.0401

Product Registration

Congratulations on the purchase of your Zephyr product! Please take a moment to register your new Zephyr product at www.zephyronline.com/registration

IT'S IMPORTANT

Prompt registration helps in more ways than one.

- Ensures warranty coverage should you need service.
- Ownership verification for insurance purposes.
- Notification of product changes or recalls.



Zephyr Ventilation | 2277 Harbor Bay Pkwy. | Alameda, CA 94502 | 1.888.880.8368

ZEPHYR

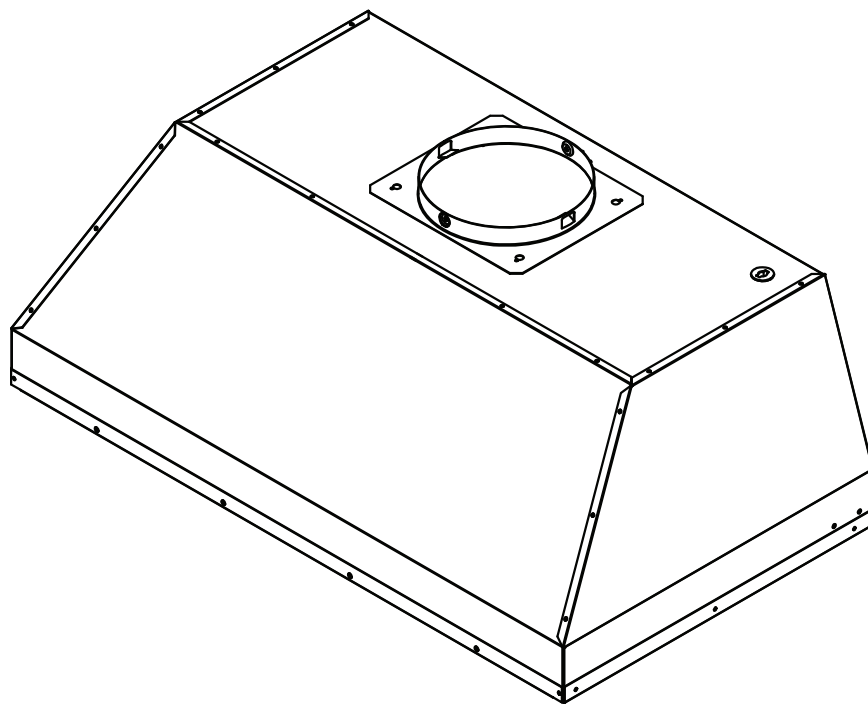
WWW.ZEPHYRONLINE.COM

Monsoon I

AK9228BS, AK9234BS, AK9240BS, AK9246BS

EN Use, Care, and Installation Guide

FR Guide d'utilisation, d'entretien et d'installation



ACT[™]
Airflow Control Technology

cUL[®] US LISTED

	Page
Consignes de sécurité	4-9
Types d'avertissements de sécurité	4
Sécurité générale	5-8
Opération	8
Exigences électriques	8-9
Déclaration d'interface de la Federal Communication Commission ...	9
Liste de matériel	10
Instructions d'installation	11-25
Feuille de calcul pour le conduit d'aération	11
Hauteur de montage, dégagement et gaine	12-13
Options de conduits	14
Spécifications de la hotte	15
Fourniture électrique	16
Raccord de câble	16
Préparation et installation	17-18
Préparation des conduits verticaux	19-20
Préparation des conduits horizontaux	21-25
Fonctionnalités et commandes	26-29
Commandes tactiles	26-27
Télécommande RF	28-29
Entretien	30-32
Nettoyage de la hotte et du filtre	30-31
LumiLight LED	32
Conversion ACT™	33-35
Technologie de contrôle du débit d'air (ACT™)	33
Activer ACT™	34-35
Schéma de câblage	36-38
Dépannage	39-40
Liste des pièces et accessoires	41
Remarques	42
Garantie limitée	43
Enregistrement du produit	44

Consignes de sécurité

Votre sécurité et celle des gens qui vous entourent sont très importantes.

Ce manuel contient de nombreux messages de sécurité relatifs à votre appareil. Lisez tous les messages et conformez-vous-y en tout temps.



Voici le symbole d'alerte à la sécurité. Ce symbole vous informe de possibles dangers qui pourraient entraîner de graves lésions corporelles ou la mort. Tous les messages de sécurité suivent le symbole d'alerte à la sécurité et comportent les mots « **DANGER** », « **AVERTISSEMENT** » ou « **ATTENTION** ».

 **DANGER** 

Le mot « danger » signifie que le fait de ne pas tenir compte de l'énoncé de sécurité peut entraîner une blessure grave ou la mort.

 **AVERTISSEMENT** 

Le mot « avertissement » signifie que le fait de ne pas tenir compte de l'énoncé de sécurité peut entraîner des dommages importants au produit, une lésion corporelle grave ou la mort.

 **ATTENTION** 

Le mot « attention » signifie que le fait de ne pas tenir compte de l'énoncé de sécurité peut entraîner une lésion corporelle mineure ou modérée, ou encore des dommages au produit ou à la propriété.

LISEZ ET CONSERVEZ CES INSTRUCTIONS

Sécurité générale


**ATTENTION**

Pour réduire le risque d'incendie ou de choc électrique, n'utilisez pas ce ventilateur avec un dispositif de commande à semi-conducteurs.

**ATTENTION**

AVERTISSEMENT - POUR RÉDUIRE LES RISQUES D'INCENDIE, DE CHOC ÉLECTRIQUE OU DE BLESSURES AUX PERSONNES, RESPECTEZ LES SUIVANTS:

- a) N'utilisez cet appareil que de la manière prévue par le fabricant. Si vous avez des questions, contactez le fabricant.
- b) Avant l'entretien ou le nettoyage de l'unité, coupez l'alimentation au panneau de service et verrouillez les moyens de déconnexion de service pour éviter toute mise sous tension accidentelle. Lorsque le moyen de déconnexion de service ne peut pas être verrouillé, fixez solidement un dispositif d'avertissement bien visible, tel qu'une étiquette, au panneau de service.

**AVERTISSEMENT**

Pour Une Ventilation Générale Uniquement. Ne Pas Utiliser Pour Évacuer Des Matières Et Des Vapeurs Dangereuses Ou Explosives. Soyez prudent lorsque vous utilisez des produits de nettoyage pour détergents. Convient pour une utilisation dans la zone de cuisson domestique.

Consignes de sécurité

LISEZ ET CONSERVEZ CES INSTRUCTIONS



ATTENTION



AVERTISSEMENT - POUR RÉDUIRE LE RISQUE D'INCENDIE DE GRAISSE SUR LE HAUT DE CUISINIÈRE:

- a) Ne laissez jamais les unités de surface sans surveillance à des réglages élevés. Les débordements provoquent de la fumée et des débordements graisseux qui peuvent s'enflammer. Chauffer les huiles lentement à des réglages faibles ou moyens.
- b) Allumez toujours la hotte lorsque vous cuisinez à feu vif ou lorsque vous flambez des aliments. (c'est-à-dire Crêpes Suzette, Cerises Jubilee, Boeuf au Poivre Flambé »).
- c) Nettoyez fréquemment les ventilateurs de ventilation. La graisse ne doit pas s'accumuler sur le ventilateur ou le filtre.
- d) Utilisez une taille de casserole appropriée. Utilisez toujours des ustensiles de cuisine adaptés à la taille de l'élément de surface.



ATTENTION



AVERTISSEMENT - POUR RÉDUIRE LE RISQUE DE BLESSURE DES PERSONNES EN CAS D'INCENDIE DE GRAISSE SUR LE HAUT DE LA CUISINIÈRE, RESPECTEZ CE QUI SUIT:

- a) **DES FLAMMES PLUS INTELLIGENTES** avec un couvercle bien ajusté, une plaque à biscuits ou un plateau en métal, puis éteignez le brûleur. **FAITES ATTENTION À ÉVITER LES BRÛLURES.** Si les flammes ne s'éteignent pas immédiatement, **ÉVACUER ET APPELER LE DÉPARTEMENT DES INCENDIES.**
- b) **NE JAMAIS RAMASSER UNE PLAQUE ENFLAMME** - Vous pourriez être brûlé.
- c) **N'UTILISEZ PAS D'EAU**, ni de torchons ou de serviettes humides - une violente explosion de vapeur en résultera.
- d) Utilisez un extincteur **UNIQUEMENT** si:
 - 1) Vous savez que vous possédez un extincteur de classe ABC et vous savez déjà comment l'utiliser.
 - 2) Le feu est petit et contenu dans la zone où il a commencé.
 - 3) Le service d'incendie est appelé.
 - 4) Vous pouvez combattre le feu dos à une sortie

«Basé sur "Kitchen Firesafety Tips" publié par la NFPA.

LISEZ ET CONSERVEZ CES INSTRUCTIONS

AVERTISSEMENT - POUR RÉDUIRE LES RISQUES D'INCENDIE, DE DÉCHARGE ÉLECTRIQUE OU DE BLESSURES AUX PERSONNES, RESPECTEZ CE QUI SUIT:

- a) Les travaux d'installation et le câblage électrique doivent être effectués par des personnes qualifiées conformément à tous les codes et normes applicables, y compris la construction résistant au feu.
- b) Une quantité d'air suffisante est nécessaire pour une combustion et une évacuation correctes des gaz par le conduit de fumée (cheminée) de l'équipement à combustible pour empêcher le refoulement. Suivez les directives et les normes de sécurité du fabricant de l'équipement de chauffage, telles que celles publiées par la National Fire Protection Association (NFPA), l'American Society for Heating, Refrigeration and Air Conditioning Engineers (ASHRAE) et les autorités locales du code.
- c) Lorsque vous coupez ou percez dans un mur ou un plafond, n'endommagez pas le câblage électrique et les autres services publics cachés.
- d) Les ventilateurs à conduit doivent toujours être ventilés vers l'extérieur.
- e) Si cet appareil doit être installé au-dessus d'une baignoire ou d'une douche, il doit être marqué comme approprié pour l'application et être connecté à un circuit de dérivation protégé par un disjoncteur de fuite à la terre (GFCI).



Consignes de sécurité

LISEZ ET CONSERVEZ CES INSTRUCTIONS



- ▶ Pour réduire les risques d'incendie et pour évacuer correctement l'air extérieur, ne pas évacuer l'air évacué dans les espaces à l'intérieur des murs, plafonds, greniers, vides sanitaires ou garages.

Opération

- ▶ Laissez toujours les grilles de sécurité et les filtres en place. Sans ces composants, les soufflantes en fonctionnement pourraient s'accrocher aux cheveux, aux doigts et aux vêtements amples.
- ▶ Le fabricant décline toute responsabilité en cas de non-respect des instructions données ici pour l'installation, la maintenance et l'utilisation appropriée du produit. Le fabricant décline en outre toute responsabilité en cas de blessure due à une négligence et la garantie de l'unité expire automatiquement en raison d'un mauvais entretien.

REMARQUE: veuillez consulter www.zephyronline.com pour les révisions avant d'effectuer tout travail personnalisé.

Exigences électriques

Important:

Respectez tous les codes et ordonnances en vigueur.

Il est de la responsabilité du client d'en prendre connaissance ci-dessous:

- ▶ Pour contacter un installateur électrique qualifié.
- ▶ Pour garantir que l'installation électrique est adéquate et conforme au National Electrical Code, ANSI / NFPA 70 dernière édition * ou aux normes CSA C22.1-94, Code canadien de l'électricité, partie 1 et C22.2 No.0-M91 - dernière édition ** et tous les codes et ordonnances locaux.
- ▶ Si les codes le permettent et qu'un fil de terre séparé est utilisé, il est recommandé qu'un électricien qualifié détermine que le chemin de terre est adéquat.
- ▶ Ne pas mettre à la terre un tuyau de gaz.
- ▶ Vérifiez auprès d'un électricien qualifié si vous n'êtes pas sûr que la hotte est correctement mise à la terre.
- ▶ Ne pas avoir de fusible dans le circuit neutre ou de terre.

LISEZ ET CONSERVEZ CES INSTRUCTIONS

- ▶ Cet appareil nécessite une alimentation électrique de 120 V à 60 Hz et est connecté à un circuit de dérivation individuel correctement mis à la terre protégé par un disjoncteur de 15 ou 20 ampères ou un fusible temporisé. Le câblage doit être à 2 fils avec mise à la terre. Veuillez également vous référer au schéma électrique du produit.
- ▶ Un connecteur de verrouillage de câble (non fourni) peut également être requis par les codes locaux. Vérifiez les exigences locales, achetez et installez le connecteur approprié si nécessaire.

* National Fire Protection Association Batterymarch Park, Quincy, Massachusetts 02269

** CSA International 8501 East Pleasant Valley Road, Cleveland, Ohio 44131-5575

Déclaration d'interface de la Federal Communication Commission

Cet équipement a été testé et déclaré conforme aux limites d'un appareil numérique de classe B, conformément à la partie 15 des règles FCC. Ces limites sont conçues pour fournir une protection raisonnable contre les interférences nuisibles dans une installation résidentielle.

Cet équipement génère, utilise et peut émettre de l'énergie radiofréquence et, s'il n'est pas installé et utilisé conformément aux instructions, peut provoquer des interférences nuisibles aux communications radio. Cependant, il n'y a aucune garantie que des interférences ne se produiront pas dans une installation particulière. Si cet équipement cause des interférences nuisibles à la réception de la radio ou de la télévision, ce qui peut être déterminé en éteignant et en rallumant l'équipement, l'utilisateur est encouragé à essayer de corriger les interférences par l'une des mesures suivantes:

- ▶ Réorientez ou déplacez l'antenne de réception.
- ▶ Augmentez la séparation entre l'équipement et le récepteur.
- ▶ Connectez l'équipement à une prise sur un circuit différent de celui sur lequel le récepteur est connecté.
- ▶ Consultez le revendeur ou un technicien radio / TV expérimenté pour obtenir de l'aide.



ATTENTION



Prop. 65 Avertissement pour les résidents de Californie: Ce produit peut contenir des produits chimiques reconnus par l'État de Californie comme pouvant provoquer le cancer, des malformations congénitales ou d'autres troubles de la reproduction.

Liste de matériel

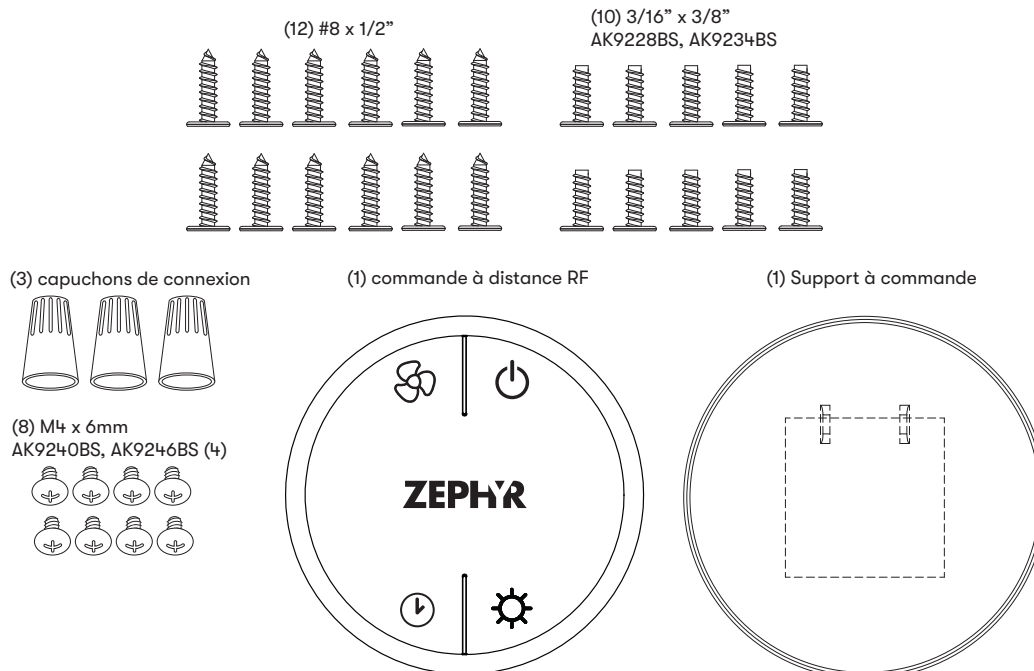
MONSOON I

INSÉRER

Pièces fournies (AK9228BS et AK9234BS)

Pièces fournies (AK9240BS et AK9246BS)

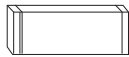

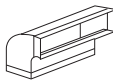
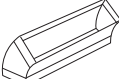

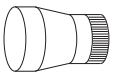
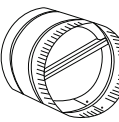
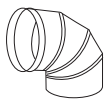
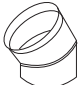
Quantité	Partie	Quantité	Partie
1	Doublure du corps de la capuche	1	Doublure du corps de la capuche
2	Filtres à chicane pro	2	Filtres à chicane pro (AK9240BS)
3	LumiLight LED, 6 W (pré-installé)	3	Filtres à chicane pro (AK9246BS)
2	Ventilateur interne (pré-installé)	2	LumiLight LED, 6 W (préinstallé) (AK9240BS)
1	Adaptateur rond de 8 po avec amortisseur	4	LumiLight LED, 6 W (préinstallé) (AK9246BS)
1	Supports de montage de ventilateur à conduit horizontal	1	Double ventilateur interne
2	Plaque de recouvrement rectangulaire supérieure	1	Adaptateur rond de 10 po avec amortisseur
1	Pack matériel	1	Pack matériel



Pièces non fournies

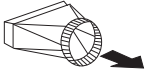
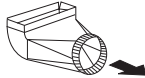

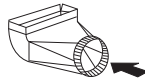
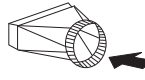
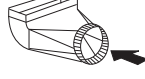
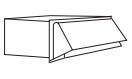
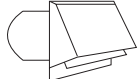

Conduits, conduits et tous les outils d'installation
Raccord de câble (si requis par les codes locaux)

Feuille de calcul pour le conduit d'aération

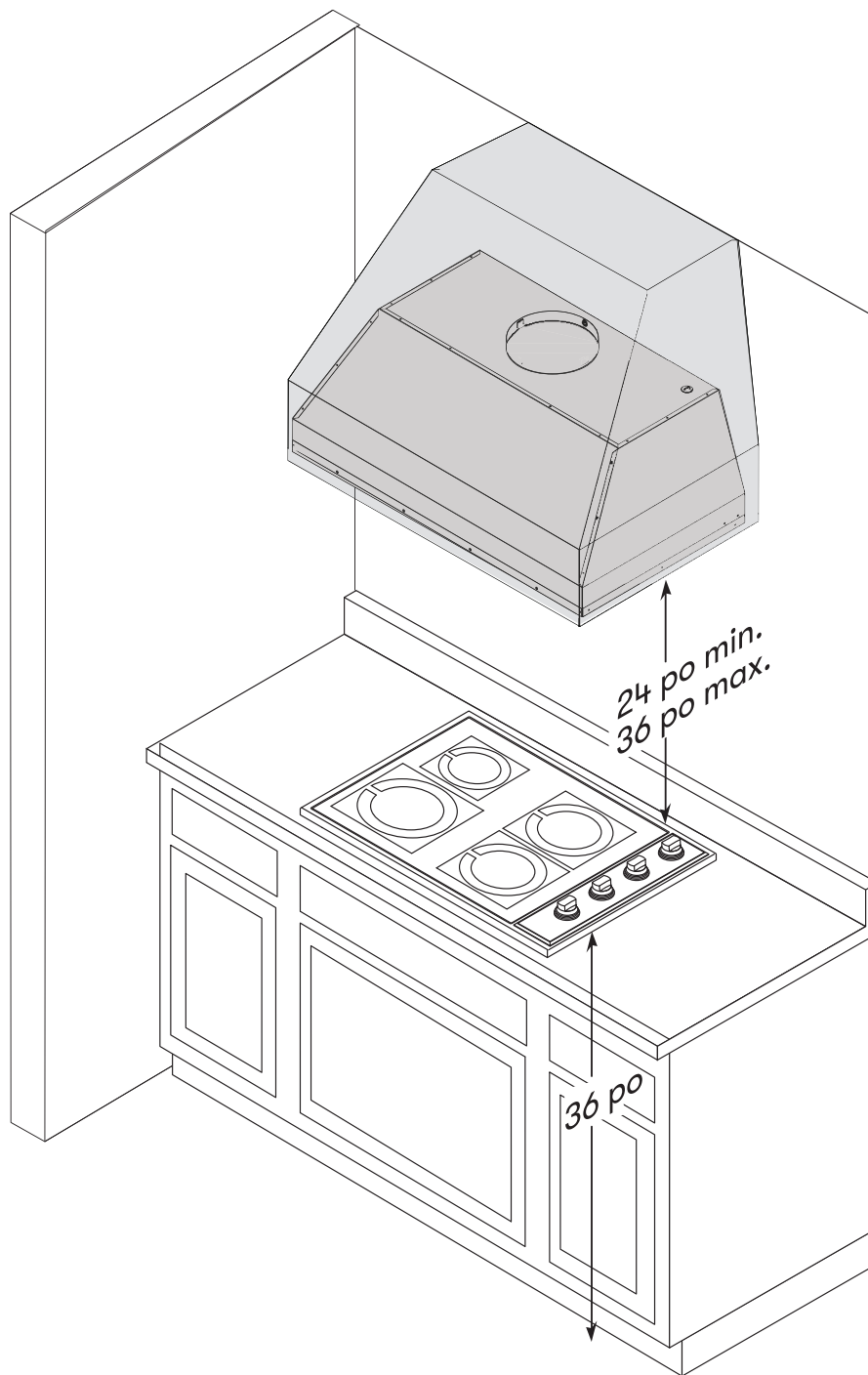
Pièces de conduit		Longueur x	Nombre utilisé	=	Total
	3-1/4" x 10" rect., droit	1 pi	x () =		pi
	6", 7", 8", 10" circ., droit	1 pi	x () =		pi
	3-1/4" x 10" rect., coude à 90°	15 pi	x () =		pi
	3-1/4" x 10" rect., coude à 45°	9 pi	x () =		pi
	3-1/4" x 10" rect., coude plat à 90°	24 pi	x () =		pi
	7" to 6" or 8" to 7" circ. reducteur conique	25 pi	x () =		pi
	6", 7", 8" circ. bouchone de l'air	15 pi	x () =		pi
	6", 7", 8", 10" circ., coude à 90°	15 pi	x () =		pi
	6", 7", 8", 10" coude à 45°	9 pi	x () =		pi
Sous-total - colonne 1 =					pi

Longueur maximale du conduit d'aération :

Pour un mouvement d'air convenable, la longueur totale d'un conduit d'aération ne devrait pas compter plus que l'équivalent de 150 pieds.

Pièces de conduit		Longueur x	Nombre utilisé	=	Total
	6" circ. à rect. de 3-1/4" x 10"	5 pi	x () =		pi
	6" circ. à rect. de 3-1/4" x 10", coude à 90°	20 pi	x () =		pi
	6" circ. à rect. de 3-1/4" x 10"	1 pi	x () =		pi
	6" circ. à rect. de 3-1/4" x 10", coude à 90°	16 pi	x () =		pi
	7" circ. à rect. de 3-1/4" x 10"	8 pi	x () =		pi
	7" circ. à rect. de 3-1/4" x 10", coude à 90°	23 pi	x () =		pi
	3-1/4" x 10" embout mural rect./registre	30 pi	x () =		pi
	6", 7", 8", 10" embout mural circ./registre	30 pi	x () =		pi
	6", 7", 8", 10" chapeau de toiture circ.	30 pi	x () =		pi
Sous-total - colonne 2 =					pi
Sous-total - colonne 1 =					pi
Total du conduit =					pi

Hauteur de montage, dégagement et gaine



Hauteur de montage, dégagement et gaine

Un diamètre minimum de 8 po pour les AK9228BS et AK9234BS doit être utilisé pour maintenir une efficacité maximale du débit d'air.

Un conduit rond d'au moins 10 po pour AK9240BS et AK9246BS doit être utilisé pour maintenir une efficacité maximale du débit d'air. La gaine horizontale n'est pas disponible pour les AK9240BS et AK9246BS.

Utilisez toujours des conduits métalliques de type rigide uniquement. Les conduits flexibles peuvent restreindre le débit d'air jusqu'à 50%.

Utilisez également la feuille de calcul des gaines (à la page 11) pour calculer la longueur totale des gaines disponibles lorsque vous utilisez des coudes, des transitions et des capuchons.

TOUJOURS, lorsque cela est possible, réduire le nombre de transitions et de virages. Si un long trajet de conduit est nécessaire, augmentez la taille du conduit.

Si des virages ou des transitions sont nécessaires; installer le plus loin possible de la sortie du conduit de la hotte et aussi loin que possible entre les deux.

La hauteur de montage minimale entre le haut de la cuisinière et le bas de la hotte ne doit pas être inférieure à 24 po.

La hauteur de montage maximale ne doit pas dépasser 36 po.

Il est important d'installer la hotte à la bonne hauteur de montage. Les hottes montées trop bas peuvent entraîner des dommages causés par la chaleur et un risque d'incendie; tandis que les hottes montées trop haut seront difficiles à atteindre et perdront leurs performances et leur efficacité.


Si disponible, reportez-vous également aux exigences de dégagement en hauteur du fabricant de la cuisinière et à la hauteur de montage recommandée de la hotte au-dessus de la cuisinière.

Pour les dommages liés à l'expédition et à l'installation:


- ▶ Veuillez inspecter complètement l'unité pour déceler tout dommage avant l'installation. Si l'appareil est endommagé lors de l'expédition, renvoyez-le au magasin où il a été acheté pour réparation ou remplacement.
- ▶ Si l'appareil est endommagé par le client, la réparation ou le remplacement est à la charge du client.
- ▶ Si l'unité est endommagée par l'installateur (si autre que le client), la réparation ou le remplacement doit être effectuée par arrangement entre le client et l'installateur.

Instructions d'installation

Options de conduits

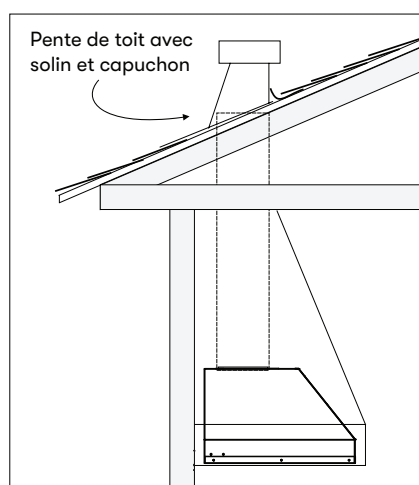
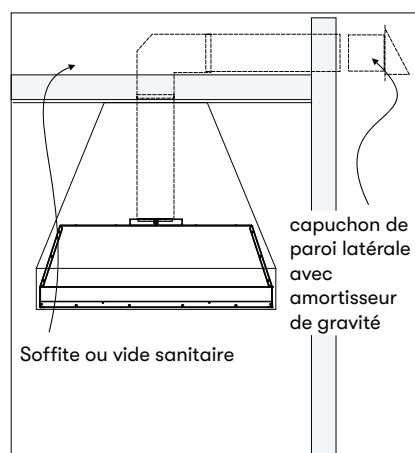
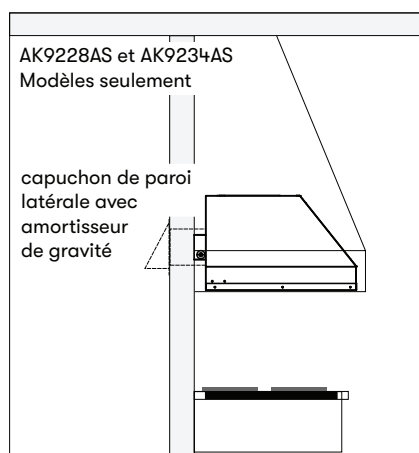


ATTENTION

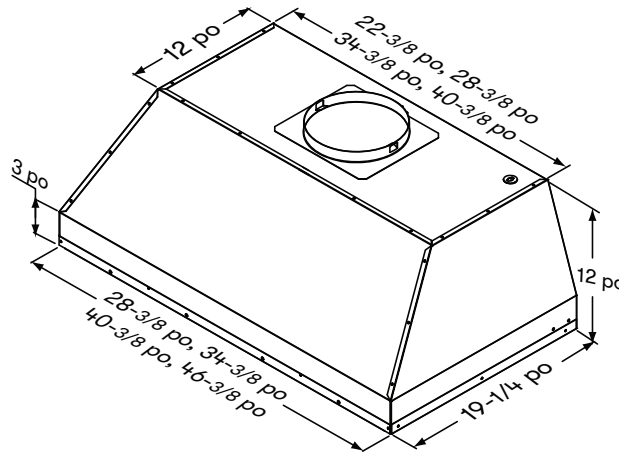


Risque d'incendie: NE JAMAIS évacuer l'air ni terminer de conduits dans des espaces entre les murs, les vides sanitaires, les plafonds, les greniers ou les garages. Tout l'échappement doit être canalisé vers l'extérieur, à moins d'utiliser l'option de recirculation.

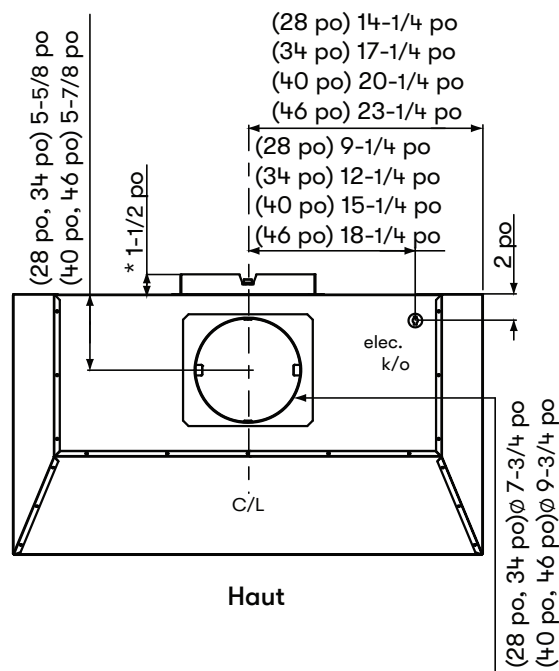
- ▶ Utilisez uniquement des conduits métalliques rigides à paroi simple.
- ▶ Fixez toutes les connexions avec des vis à tôle et collez tous les joints avec du ruban argenté ou du ruban adhésif.



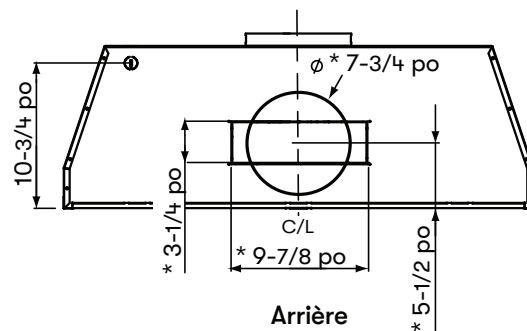
Spécifications de la hotte



Vue 3/4



Haut



Arrière

* Dimensions pour les modèles de 28 po et 34 po uniquement

Instructions d'installation

Fourniture électrique



ATTENTION



Le câblage électrique doit être effectué par des personnes qualifiées conformément à tous les codes et normes applicables.
Cette hotte doit être correctement mise à la terre. Coupez l'alimentation électrique à l'entrée de service avant le câblage.

Pour votre sécurité personnelle, retirez le fusible de la maison ou ouvrez le disjoncteur avant de commencer l'installation. N'utilisez pas de rallonge ni de fiche d'adaptateur avec cet appareil.

Suivez les codes électriques nationaux ou les codes et règlements locaux en vigueur.

Cet appareil nécessite une alimentation électrique de 120 V 60 Hz et est connecté à un circuit de dérivation individuel correctement mis à la terre, protégé par un disjoncteur de 15 ou 20 ampères ou un fusible temporisé. Le câblage doit être à 2 fils avec terre. Veuillez également vous référer au schéma électrique étiqueté sur le produit.

Raccord de câble

Un connecteur de verrouillage de câble (non fourni) peut être requis par les codes locaux. Vérifiez les exigences et les codes locaux, achetez et installez le connecteur approprié si nécessaire. (FIG. A)

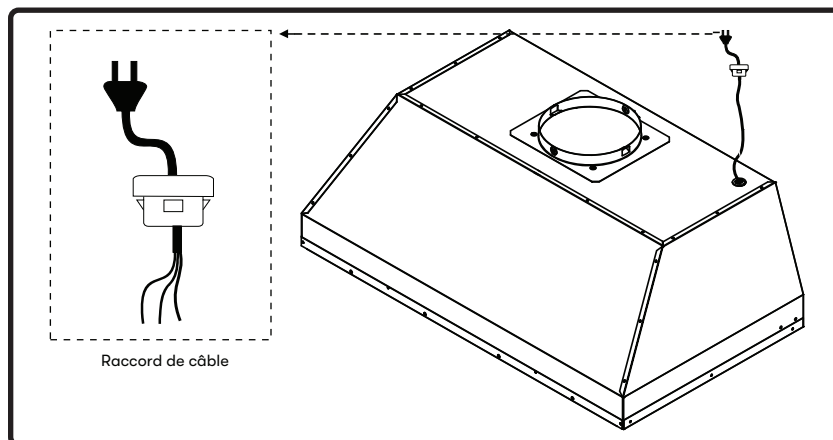


FIG. A

Préparation et installation



ATTENTION



Au moins deux installateurs sont nécessaires en raison du poids et de la taille de la doublure.

1. Retirez tous les matériaux d'emballage et le film protecteur avant l'installation. Soyez prudent lors de l'installation pour éviter les rayures ou les dommages à l'acier inoxydable.
2. Découpez une ouverture dans le bas de l'armoire en suivant les dimensions de la FIG. B. Si vous conduisez le revêtement monobloc horizontalement, découpez également une ouverture à l'arrière de l'armoire (le cas échéant). FIG C.
3. Préparez le revêtement pour l'installation dans l'armoire en suivant les étapes de la page 19-20 pour les conduits verticaux ou des pages 21-22 pour les conduits horizontaux. Passez à l'étape 4 une fois la préparation terminée.



AVERTISSEMENT



Assurez-vous que la surface sur laquelle vous fixez la doublure est capable de supporter le poids de l'AK92. Le non-respect de cette consigne peut entraîner des blessures corporelles ou endommager la surface de cuisson ou le comptoir.

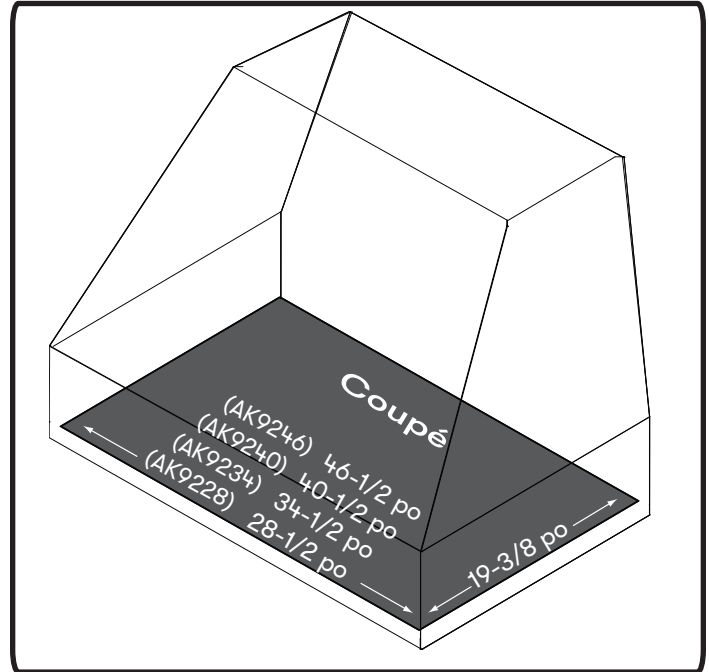


FIG. B

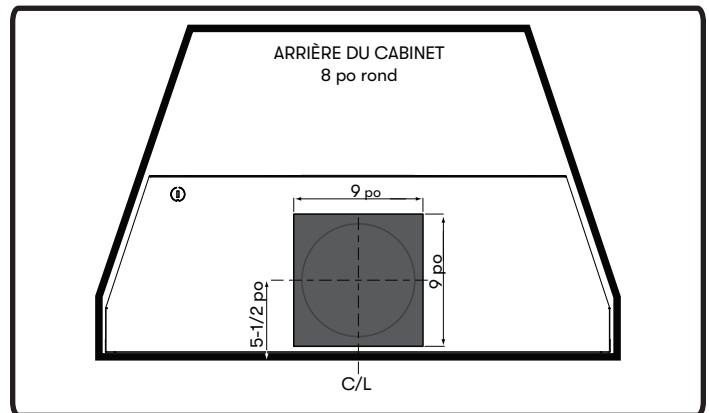


FIG. C

Instructions d'installation

Préparation et installation

4. Soulevez la doublure dans l'ouverture inférieure de l'armoire et fixez-la à l'intérieur de l'armoire à l'aide de (8) vis en acier inoxydable n°8 x 1/2 po; (4) vis à l'avant et (4) vis sur les côtés. figure. RÉ.
5. Finaliser l'installation des travaux d'électricité et de conduits. Sceller les conduits avec du ruban adhésif en aluminium certifié. Mettez la doublure sous tension, vérifiez s'il y a des fuites autour du ruban adhésif et vérifiez son bon fonctionnement.

REMARQUE: Si l'accès au dessus de la gaine n'est pas disponible après l'installation, il se peut que le raccordement électrique et du conduit de conduits doit être effectué avant d'installer la gaine.

6. Réinstallez le panneau inférieur, les panneaux d'entretoise latéraux (le cas échéant), le bac à graisse et les filtres déflecteurs précédemment retirés.

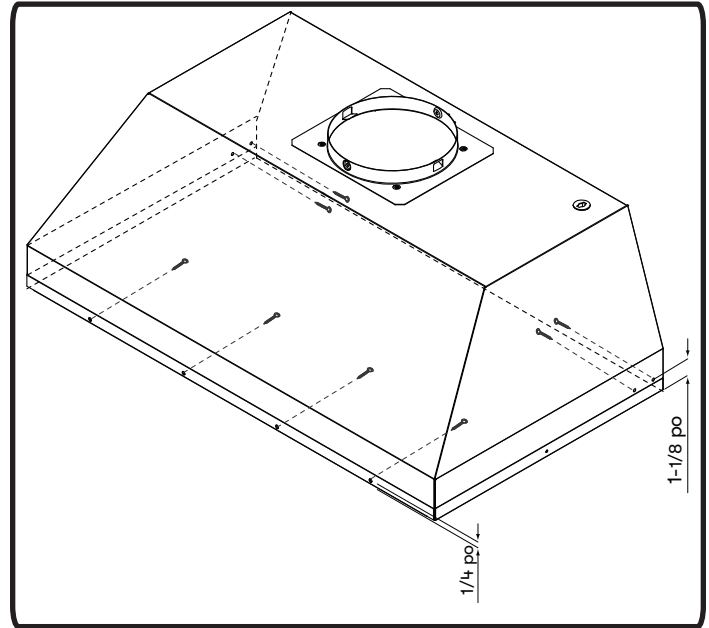
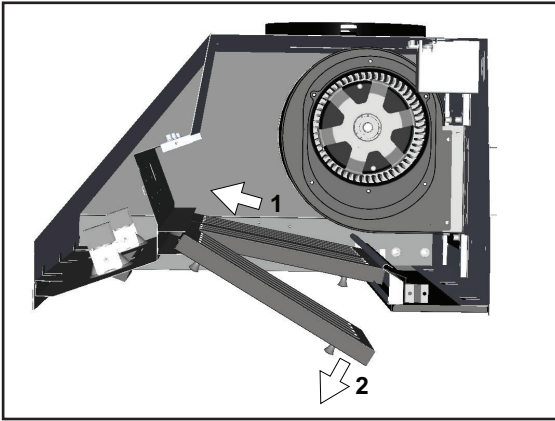
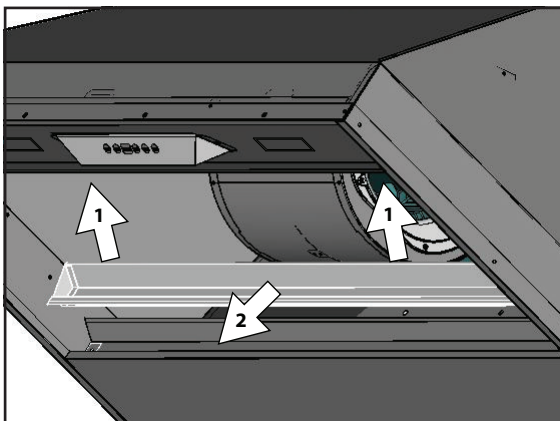


FIG. D

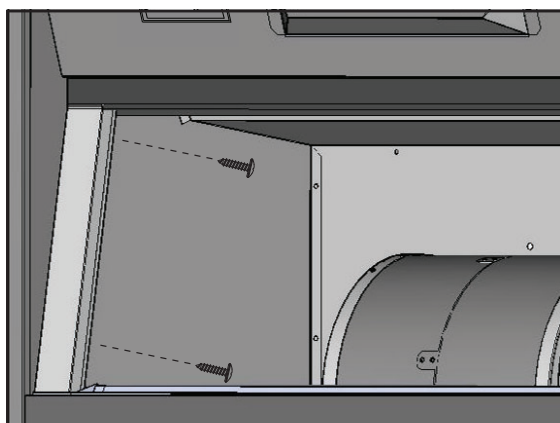
Préparation des conduits verticaux



1. Retirez les filtres défecteurs en:
1) Tirant le filtre vers l'avant de la doublure. 2) Pivotement de l'arrière du filtre vers le bas.



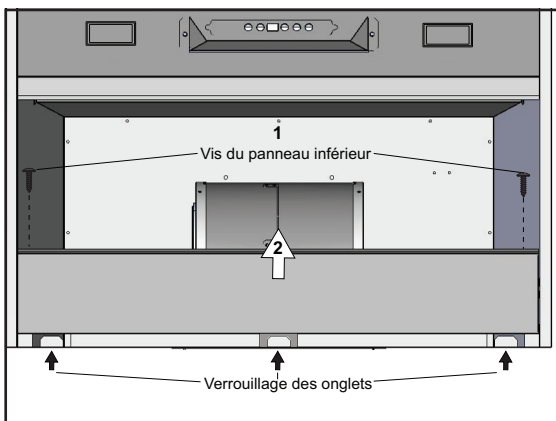
2. Retirez le plateau à graisse en:
1) Tirant sur le plateau pour le dégager du panneau inférieur. 2) Soulever le plateau hors du corps de la doublure.



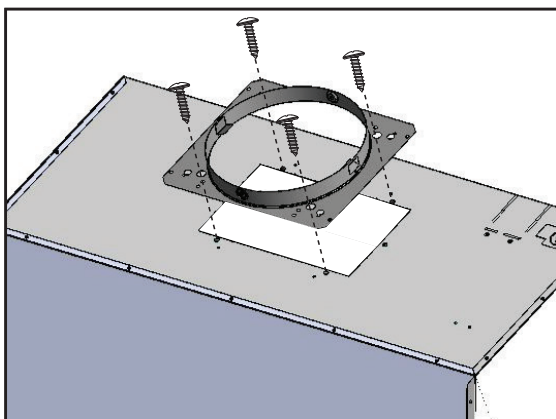
3. (Le cas échéant) Retirez les panneaux d'entretoise latéraux gauche et droit en retirant les (2) vis derrière chaque panneau.

Instructions d'installation

Préparation des conduits verticaux



4. Retirez le panneau inférieur en:
- 1) Retirez les (2) vis des côtés gauche et droit du panneau inférieur.
 - 2) Tirez le panneau inférieur vers l'avant de la doublure pour le dégager des languettes de verrouillage.

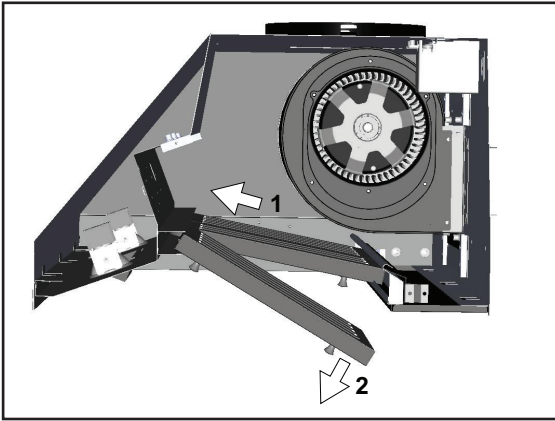


5. Fixez l'adaptateur rond de 8 po ou l'adaptateur rond de 10 po sur le dessus de la doublure à l'aide de (4) vis M4 x 6 mm.



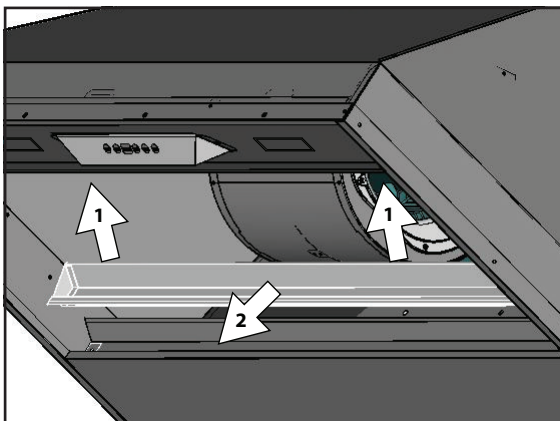
6. La préparation des conduits verticaux est terminée. Reportez-vous à la page 18, étape 4 pour terminer l'installation.

Préparation des conduits horizontaux

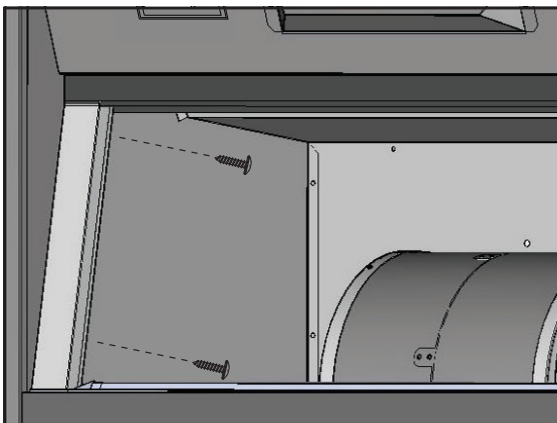


Modèles AK9228BS et AK9234BS
uniquement

1. Retirez les filtres déflecteurs en:
1) Tirant le filtre vers l'avant de la doublure. 2) Pivotement de l'arrière du filtre vers le bas.



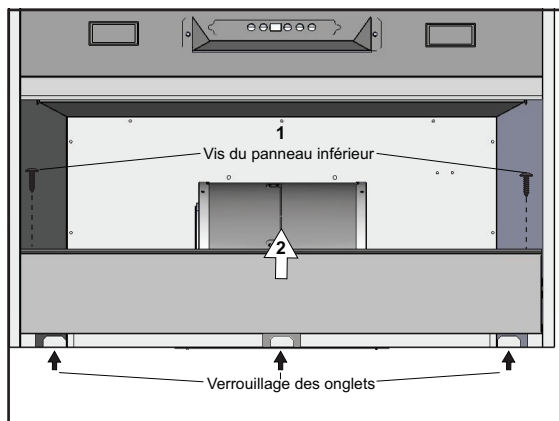
2. Retirez le plateau à graisse en:
1) Tirant sur le plateau pour le dégager du panneau inférieur. 2) Soulever le plateau hors du corps de la doublure.



3. (Le cas échéant) Retirez les panneaux d'entretoise latéraux gauche et droit en retirant les (2) vis derrière chaque panneau.

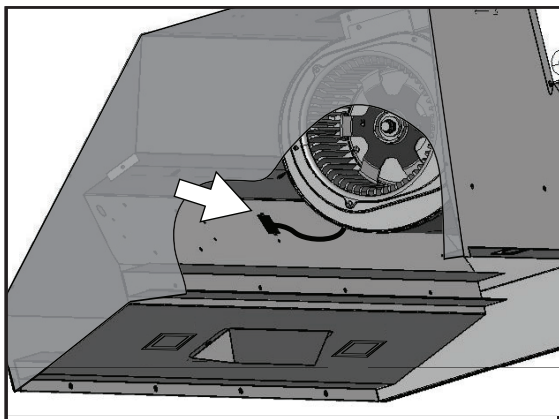
Instructions d'installation

Préparation des conduits horizontaux

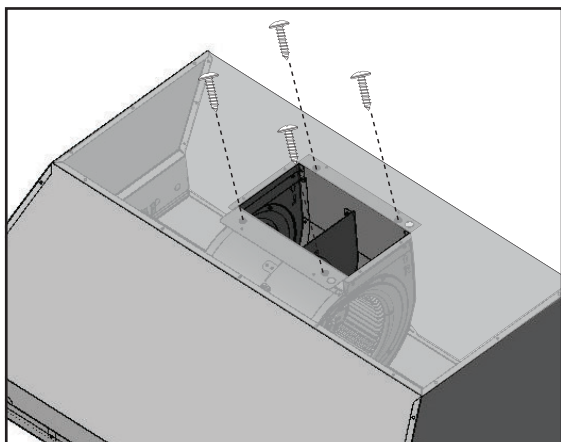


Modèles AK9228BS et AK9234BS uniquement

4. Retirez le panneau inférieur en:
 - 1) Retirez les (2) vis des côtés gauche et droit du panneau inférieur. 2) Tirez le panneau inférieur vers l'avant de la doublure pour le dégager des languettes de verrouillage.

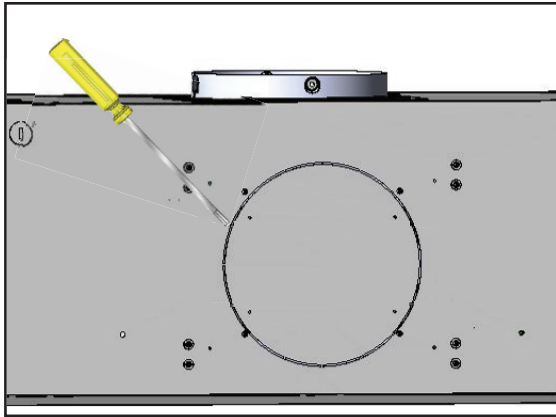


5. Débranchez la fiche molex du ventilateur.



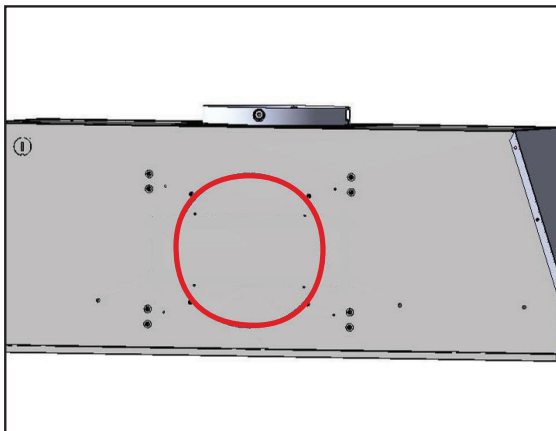
6. Retirez le ventilateur de la gaine en retirant les (4) vis 3/16 po x 3/8 po du haut de la gaine. Mettez les vis de côté pour une utilisation ultérieure.

Préparation des conduits horizontaux

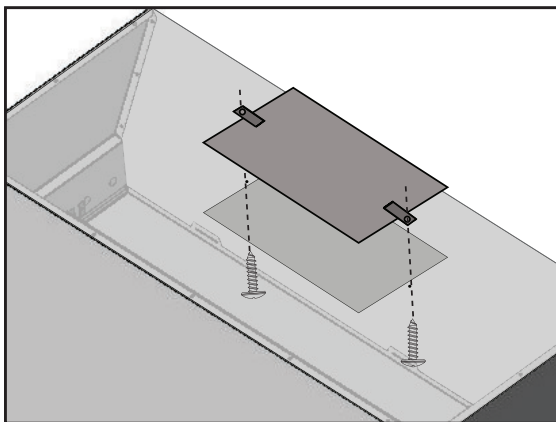


Modèles AK9228BS et AK9234BS
uniquement

7. À l'aide d'un tournevis à tête plate, retirez les plaques à défoncer rondes de 8 po à l'arrière de la doublure.



8. Retirez le débouchure du conduit rond.



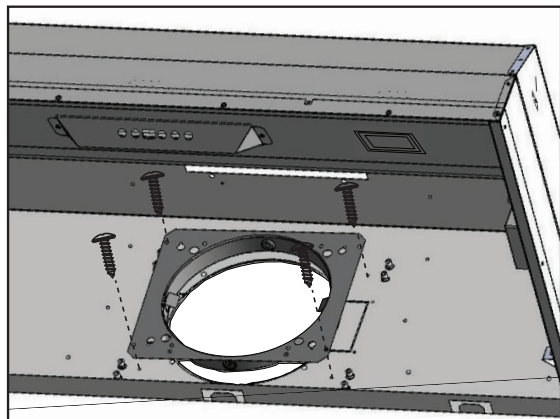
9. Placez la plaque de recouvrement rectangulaire supérieure sur l'ouverture au-dessus de la doublure.

REMARQUE: assurez-vous que les languettes de la plaque de recouvrement se trouvent sur le dessus de la plaque de recouvrement, comme illustré. De l'intérieur de la doublure, fixez la plaque au dessus de la doublure avec (2) vis 3/16 po x 3/8 po.

À ce stade, installez la doublure monobloc dans l'armoire en suivant les étapes de la page 18, étape 4. Après l'installation de la doublure, passez à la page 24.

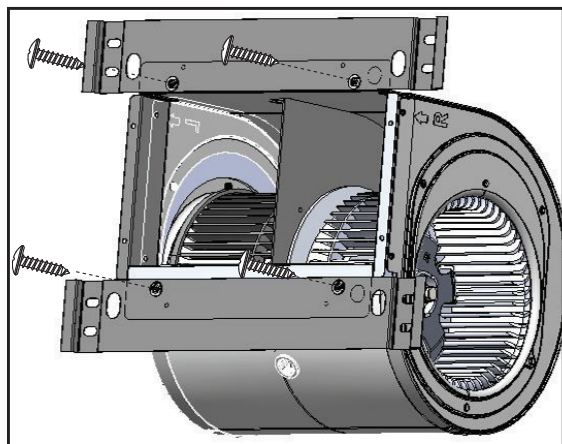
Instructions d'installation

Préparation des conduits horizontaux

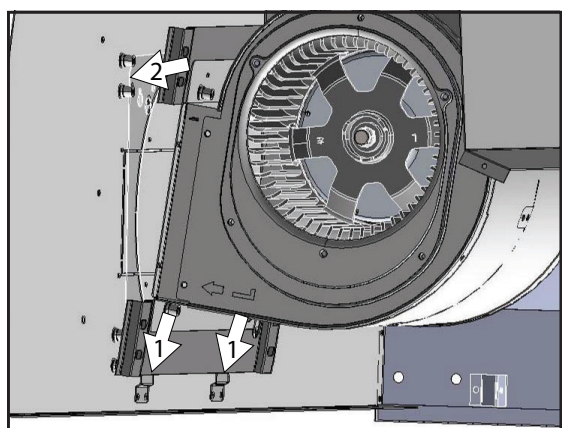


Modèles AK9228BS et AK9234BS uniquement

10. (Pour les conduits ronds) Depuis l'intérieur de la gaine, poussez l'adaptateur rond de 8 po à travers la découpe arrière et fixez à la paroi arrière intérieure de la gaine avec (4) vis M4 x 6 mm.

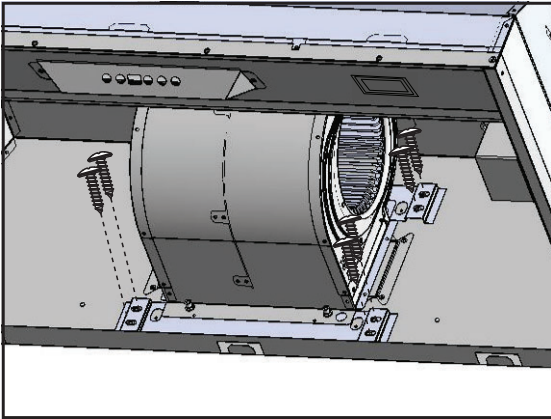


11. Fixez les (2) supports horizontaux du ventilateur de conduit au ventilateur comme indiqué ci-dessus en utilisant les (4) vis 3/16 po x 3/8 po précédemment retirées de la page 22, étape 6; (2) vis pour chaque support.



12. Positionnez le ventilateur à l'intérieur du corps de la gaine comme indiqué par: 1) Posez le support de conduit horizontal inférieur sur les deux clips de support situés sur la paroi arrière intérieure de la gaine. 2) Faites pivoter le support de conduit horizontal supérieur pour qu'il rencontre les écrous captifs sur la paroi arrière intérieure.

Préparation des conduits horizontaux



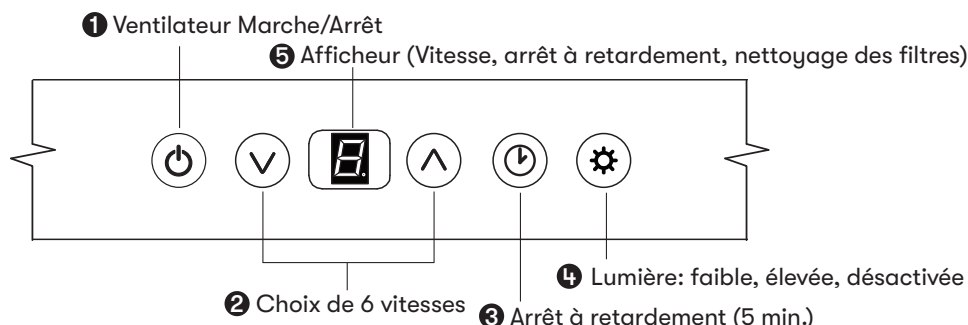
Modèles AK9228BS et AK9234BS uniquement

13. Fixez le ventilateur aux écrous captifs sur la paroi arrière intérieure du revêtement avec (8) vis 3/16 po x 3/8 po, (4) vis pour chaque support. Scellez tous les espaces autour de la plaque d'éjection à l'aide de ruban adhésif en aluminium certifié. Branchez la prise molex du ventilateur.

La préparation des conduits horizontaux est maintenant terminée. Reportez-vous à la page 18, étape 5 pour terminer l'installation.

Fonctionnalités et commandes

Commandes tactiles



1. Ventilateur : Marche/Arrêt

Appuyez sur pour allumer ou éteindre le ventilateur. Lorsque vous l'allumez, le ventilateur se met en marche à la vitesse 1.

Vérification de la ACT

- La technologie de contrôle du débit d'air permet à l'installateur d'ajuster la quantité maximale d'évacuation de pi^3/min du ventilateur afin de respecter les codes et règlements en vigueur.

- Pour vérifier la quantité maximale d'évacuation de pi^3/min du ventilateur AK9228BS et AK9234BS :

- Lorsque la hotte est éteinte, appuyez sur la touche et maintenez-la enfoncée pendant deux secondes. Si cinq icônes de ventilateur s'illuminent, le réglage est ajusté au maximum. Si quatre icônes s'illuminent, le maximum est de $390 \text{ pi}^3/\text{min}$. Si trois icônes s'illuminent, le maximum est de $290 \text{ pi}^3/\text{min}$.

- Pour vérifier la quantité maximale d'évacuation de pi^3/min du ventilateur AK9240BS et AK9246BS :

- Lorsque la hotte est éteinte, appuyez sur la touche et maintenez-la enfoncée pendant deux secondes. Si cinq icônes de ventilateur s'illuminent, le réglage est ajusté au maximum. Si quatre icônes s'illuminent, le maximum est de $590 \text{ pi}^3/\text{min}$. Si trois icônes s'illuminent, le maximum est de $390 \text{ pi}^3/\text{min}$.

2. Choix de vitesse

- Appuyez sur pour diminuer la vitesse du ventilateur. 6, 5, 4, 3, 2, 1.

- Si le ventilateur est à la vitesse 1 et que est enfoncé, le ventilateur s'éteint.

- Appuyez sur pour augmenter la vitesse du ventilateur. Ventilateur activé, 1, 2, 3, 4, 5, 6.

- Si le capot est éteint et que est enfoncé, le ventilateur se met en marche à la vitesse 1.

Choix de vitesse avec ACT activée

- Lorsque la ACT est activée, le nombre de vitesses du ventilateur est réduit comme suit :

AK9228BS et AK9234BS	AK9240BS et AK9246BS
- $390 \text{ pi}^3/\text{min}$ = 3 vitesses maximum	- $590 \text{ pi}^3/\text{min}$ = 3 vitesses maximum
- $290 \text{ pi}^3/\text{min}$ = 2 vitesses maximum	- $390 \text{ pi}^3/\text{min}$ = 2 vitesses maximum

3. Arrêt à retardement

Cette fonction est utilisée pour programmer l'arrêt automatique du ventilateur et des lumières 5 minutes après son activation. Lorsque vous appuyez une fois sur , un point clignote dans la partie inférieure droite de l'afficheur pour vous confirmer que la fonction a été activée. La hotte s'éteint complètement après 5 minutes.

4. Lumière: faible, élevée, désactivée


Allumez les lumières à faible en appuyant une fois sur , appuyez une deuxième fois pour haut et à nouveau pour éteindre les lumières.

5. Afficheur


L'écran de l'afficheur indique la vitesse de ventilateur choisie ainsi que certaines fonctions, comme le rappel de nettoyage des filtres déflecteurs, l'arrêt automatique et la fonction de purification d'air.




Commandes tactiles

Indicateur de nettoyage des filtres défecteurs

Un ensemble de filtres défecteurs est installé par le fabricant. Ces filtres défecteurs ont pour fonction de filtrer les résidus de cuisson. Ils ne nécessitent aucun remplacement sur une base régulière, mais ils doivent être gardés propres. La fonction de rappel de nettoyage des filtres du microprocesseur indique automatiquement, à l'aide de l'icône clignotante , quand les filtres doivent être nettoyés (toutes les 60 heures d'utilisation). Les filtres peuvent être nettoyés à la main, avec du détergent non abrasif, ou au lave-vaisselle. Pour les filtres très sales, il est recommandé de les faire tremper dans un détergent pour graisse avant de procéder au nettoyage normal.

Indicateur de nettoyage des filtres défecteurs


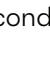


Lorsque l'icône  se met à clignoter sur l'afficheur, les filtres défecteurs doivent être nettoyés, car 60 heures d'utilisation se sont écoulées.

Une fois que les filtres ont été nettoyés et réinstallés, réinitialisez l'indicateur de nettoyage des filtres (avec la hotte hors tension). Lorsque la hotte est éteinte,  appuyez environ 5 secondes sur la touche  jusqu'à ce que l'icône  disparaisse. La fonction de rappel de nettoyage des filtres est maintenant réinitialisée et un nouveau cycle de 60 heures commence.

Fonction de purification d'air

La fonction de purification d'air fait en sorte que le ventilateur s'allume à vitesse basse toutes les quatre heures pour évacuer l'air stagnant de la cuisine. Cette fonction, désactivée par défaut, doit être activée par l'utilisateur.

Indicateur de la fonction de purification d'air

Lorsque la fonction de purification d'air (Clean Air) est activée, les icônes , ,  et  apparaissent à l'écran de l'afficheur.

Après dix minutes de fonctionnement, le ventilateur s'éteint et le chronomètre de quatre heures est réinitialisé.

Si la vitesse du ventilateur est changée lors de l'utilisation de la fonction d'air pur, le cycle est interrompu et la minuterie repart ensuite à zéro.

Nettoyage des filtres

L'icône <F> clignote



Pour réinitialiser

Appuyez 5 secondes



Afficheur passe de <F> à <>



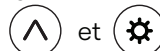
Pour activer la fonction

Appuyez 3 secondes L'icône <A> clignote



Pour désactiver la fonction

Appuyez 3 secondes



L'icône de l'afficheur passe de <F> à <>



Fonctionnalités et commandes

Télécommande RF

Attention FCC

Pour assurer la conformité continue, tout changement ou modification non expressément approuvé par la partie responsable de la conformité peut annuler le droit de l'utilisateur à utiliser cet équipement. (Exemple - utilisez uniquement des câbles d'interface blindés lors de la connexion à un ordinateur ou à un périphérique. Cet appareil est conforme à la partie 15 des règles FCC. Son fonctionnement est soumis aux deux conditions suivantes. (1) Cet appareil ne doit pas causer d'interférences nuisibles, et (2) Cet appareil doit accepter toute interférence reçue, y compris les interférences susceptibles de provoquer un fonctionnement indésirable.

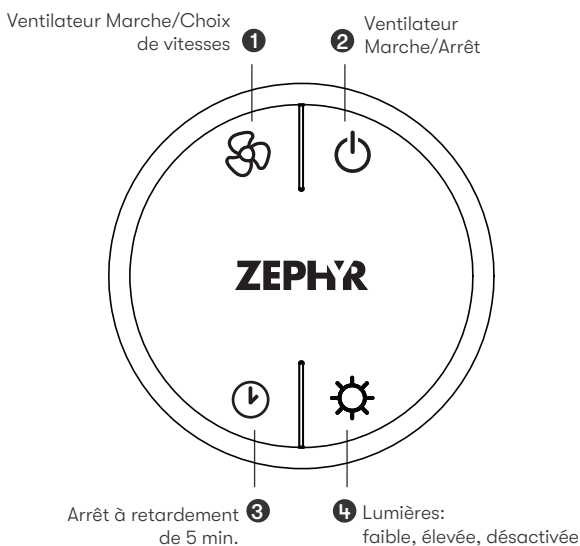
Synchronisation

Pour créer un lien unique entre votre liner et la télécommande, veuillez suivre ces étapes.

1. Avec la doublure éteinte, appuyez et maintenez le bouton «lumières» sur la doublure jusqu'à ce que la lettre «F» apparaisse sur l'écran d'affichage.

2. Appuyez sur le bouton «lumières» de la télécommande, les lumières sur la doublure s'allumeront et la synchronisation est terminée.



Fonctions de la télécommande RF




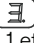
1 Ventilateur Allumer/Choix de vitesses

Appuyez sur  pour mettre le ventilateur en marche et choisir l'une des six vitesses de fonctionnement.


2 Ventilateur Marche/Arrêt

Appuyez sur  pour allumer le ventilateur à la vitesse à laquelle il fonctionnait lorsque vous l'avez éteint. Appuyez de nouveau sur  et toutes les fonctions de l'appareil s'éteignent, y compris les lumières.

3 Arrêt à retardement

Appuyez sur  pour activer la fonction d'arrêt à retardement du ventilateur et des lumières. Un point clignotera dans la partie inférieure droite de l'afficheur  pour vous confirmer que la fonction a été activée. La hotte passera à la vitesse 1 et s'éteindra après 5 minutes.

4 Lumières: faible, élevée, désactivée

Mettez les lumières en bas en appuyant une fois sur , à nouveau en haut et à nouveau pour éteindre.

Télécommande RF

Caractéristiques de la télécommande RF

La télécommande RF est équipée d'un aimant à l'arrière pour un rangement facile. La télécommande peut être placée sur n'importe quelle surface magnétique telle qu'un réfrigérateur ou le support de télécommande Zephyr, FIG. E. Le support à distance peut être inséré dans une prise électrique standard pour un rangement facile. Remarque: le support de télécommande ne charge pas la télécommande RF.

La distance de communication maximale de la télécommande est de 15 pieds de la doublure.

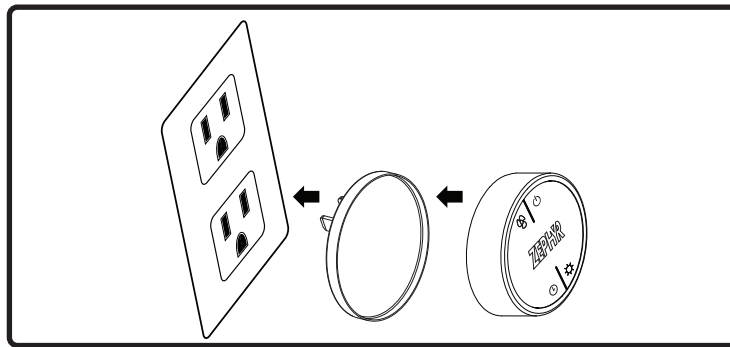


FIG. E

Maintenance à distance RF

Nettoyez la télécommande avec des détergents non abrasifs.

Suivez les instructions ci-dessous pour remplacer la batterie. À l'aide d'un petit tournevis à tête plate, soulevez le couvercle du couvercle du logement des piles (A) pour accéder au compartiment des piles. FIG. F.

Retirez la batterie et remplacez-la par une batterie de type A23 12V. L'extrémité négative de la pile doit faire face au ressort à l'intérieur de la télécommande.

Réinstallez le couvercle de la batterie et recyclez l'ancienne batterie.

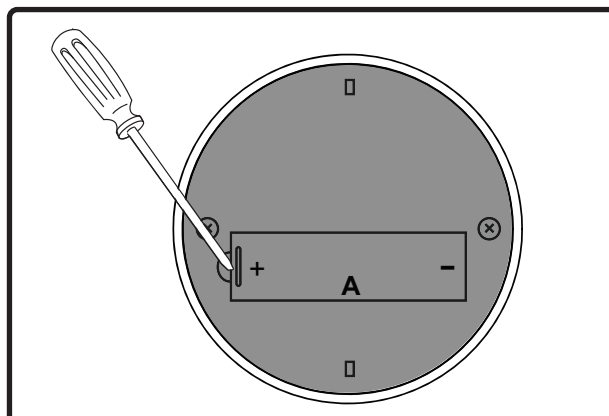


FIG. F

Entretien

Nettoyage de la hotte et du filtre

Entretien de surface

- ▶ N'utilisez pas de détergents corrosifs, de détergents abrasifs ou de nettoyeurs pour four.
- ▶ N'utilisez aucun produit contenant un agent de blanchiment chloré ou un produit contenant du chlorure.
- ▶ N'utilisez pas de laine d'acier ou de tampons à récurer abrasifs qui pourraient rayer et endommager la surface.

Nettoyage de l'acier inoxydable

Nettoyez périodiquement avec de l'eau chaude savonneuse et un chiffon en coton propre ou un chiffon en microfibres. Frottez toujours dans le sens du grain de l'acier inoxydable. Pour éliminer les accumulations de graisse plus lourdes, utilisez un détergent dégraissant liquide.

Après le nettoyage, utilisez un produit de polissage / nettoyeur pour acier inoxydable non abrasif pour polir et polir le lustre et le grain de l'acier inoxydable. Frottez toujours légèrement avec un chiffon en coton propre ou en microfibres et polissez dans le sens du grain de l'acier inoxydable.

Nettoyage des filtres déflecteurs

Les filtres sont destinés à piéger les résidus et les graisses de cuisson. Bien que les filtres ne doivent jamais avoir besoin d'être remplacés, ils doivent être nettoyés tous les 30 jours ou lorsque l'indicateur de nettoyage du filtre est allumé sur les commandes de la doublure (F).

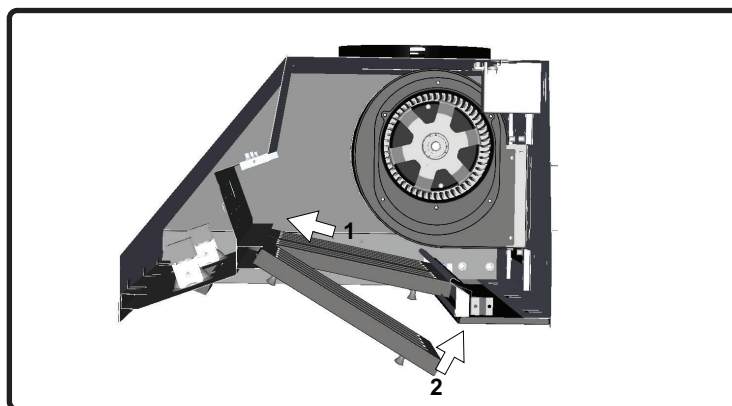
Les filtres peuvent être placés au lave-vaisselle à basse température ou trempés dans de l'eau chaude savonneuse. Sécher les filtres et les réinstaller avant d'utiliser la hotte.

Nettoyage du bac à graisse

Le bac à graisse est destiné à recueillir les résidus et la graisse qui peuvent s'écouler des filtres déflecteurs. Le bac à graisse doit être nettoyé lorsque les filtres déflecteurs sont nettoyés. Nettoyez le plateau à graisse en le trempant dans de l'eau chaude savonneuse et en frottant doucement tout résidu avec un chiffon doux en éponge. Séchez le bac à graisse et réinstallez-le avant d'utiliser la hotte.

Installation des filtres déflecteurs, FIG. G:

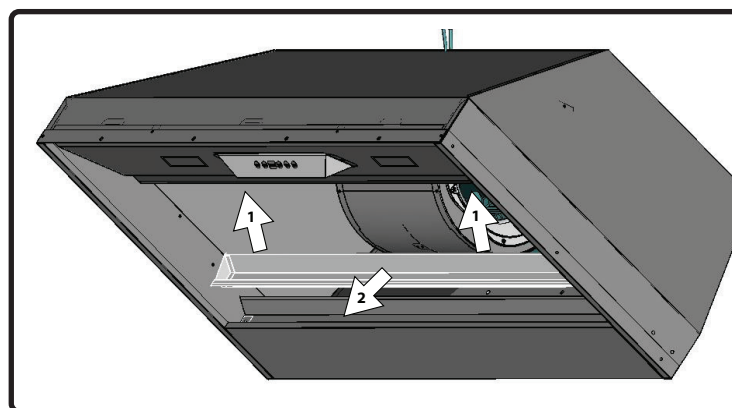
1. Placez le filtre dans la rainure supérieure de la doublure comme illustré et tirez vers l'avant de la doublure à l'aide des poignées.
2. Faites pivoter l'arrière du filtre vers le haut pour qu'il soit incliné dans la doublure.
3. Poussez le filtre dans le canal à l'arrière de la doublure pour le verrouiller en place.

**FIG. G****Retrait du bac à graisse**

Le plateau à graisse a une lèvre crochue qui se fixe au bord supérieur du panneau inférieur.

Retirez le bac à graisse en :

1. Tirez sur le plateau pour le dégager du panneau inférieur. FIG. H1
2. Retirez le plateau du corps de la doublure. FIG. H2

**FIG. H**

Entretien

LumiLight LED

Dans le cas peu probable où votre LumiLight LED tombe en panne, veuillez contacter Zephyr pour commander des pièces de rechange.

Voir la page de la liste des pièces et accessoires pour les numéros de pièces et les coordonnées.

Retrait de la LED LumiLight (FIG. I):

1. Retirer les filtres déflecteurs
2. Retirez le panneau lumineux par cinq vis.
3. Débranchez le connecteur rapide de la lumière LED.
4. Poussez les deux clips latéraux aux extrémités de la lumière LED.
5. Poussez la lumière LED à travers l'ouverture du panneau lumineux.

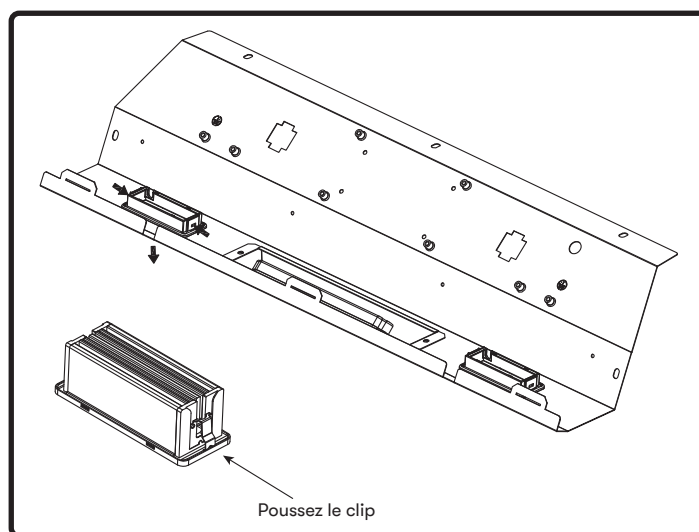


FIG. I

Technologie de contrôle du débit d'air (ACT™)

Certains codes locaux limitent la quantité maximale de CFM qu'une hotte de cuisinière peut déplacer. ACT™ vous permet de contrôler le CFM maximum du ventilateur de certaines hottes de cuisinière Zephyr Ventilation sans avoir besoin de kits d'air d'appoint coûteux. ACT™ permet à l'installateur de régler facilement la vitesse maximale du ventilateur à l'un des deux niveaux CFM les plus couramment spécifiés; AK9228BS et AK9234BS - 290 ou 390 CFM, AK9240BS et AK9446BS - 590 ou 390 CFM. L'utilisation d'ACT™ peut ne pas être nécessaire pour votre installation. Veuillez vérifier vos codes locaux pour les restrictions CFM.

Par défaut, le CFM maximum du ventilateur est réglé à 600 pour AK9228BS et AK9234BS et à 1200 pour AK9240BS et AK9246BS.



La hotte doit être débranchée de l'alimentation principale avant d'effectuer les instructions de conversion répertoriées ci-dessous. Ne pas le faire peut entraîner des blessures ou endommager le produit.



Après avoir repositionné le cavalier et mis le capot sous tension, le CFM ne peut plus être changé.

Activer ACT™

Pour activer ACT™:

1. Avant l'installation de la hotte, accédez au tableau de circuits imprimés en suivant les étapes illustrées à la FIG. J.
2. Changez le positionnement du cavalier en plastique comme illustré à la FIG. K pour régler le CFM maximum souhaité du ventilateur.
3. Réinstallez la carte de circuit imprimé et poursuivez l'installation de la hotte.
4. Retirez l'autocollant CFM en aluminium approprié inclus avec la documentation de la hotte et placez-le à l'intérieur du corps de la hotte sous le schéma de câblage ou à un autre endroit clairement visible.

Pour vérifier si votre installateur a activé ACT™:

1. **Modèles AK9228BS et AK9234BS:** Le capot étant éteint, appuyez sur le bouton d'alimentation et maintenez-le enfoncé pendant trois secondes. Si le nombre 6 s'affiche = par défaut max. CFM, si le chiffre 3 s'affiche = max. 390 CFM, et si le nombre 2 s'affiche = max. 290 pi3 / min.
Modèles AK9240BS et AK9246BS: Avec le capot éteint, appuyez sur le bouton d'alimentation et maintenez-le enfoncé pendant trois secondes. Si le nombre 6 s'affiche = par défaut max. CFM, si le chiffre 3 s'affiche = max. 590 CFM, et si le nombre 2 s'affiche = max. 390 PCM.
2. Lorsque ACT™ est activé, le nombre de vitesses de la soufflante sera réduit comme suit:
AK9228BS et AK9234BS: 390 PCM = max. 3 vitesses et 290 CFM = max. 2 vitesses.
AK9240BS et AK9246BS: 590 CFM = max. 3 vitesses et 390 CFM = max. 2 vitesses.
3. Il devrait également y avoir une étiquette en aluminium située à l'intérieur du corps de la hotte près du schéma de câblage qui indique le CFM du ventilateur.

Activer ACT™

1. Carte électronique située derrière le panneau lumineux.
2. (Le cas échéant) Retirez les deux panneaux d'espacement par 2 vis pour chaque panneau d'espacement.
3. Retirez les 5 vis fixant le panneau lumineux.

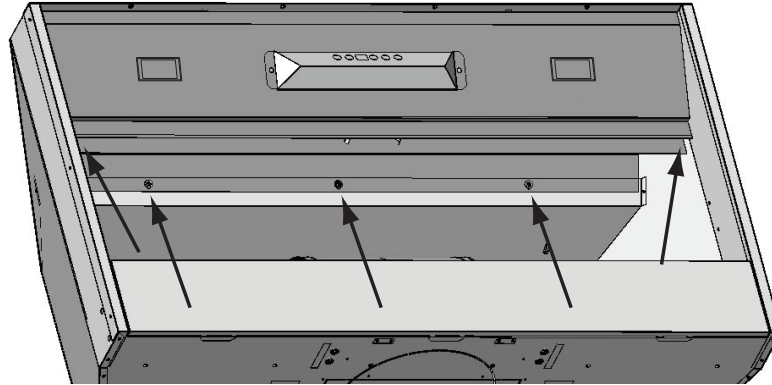


FIG. J

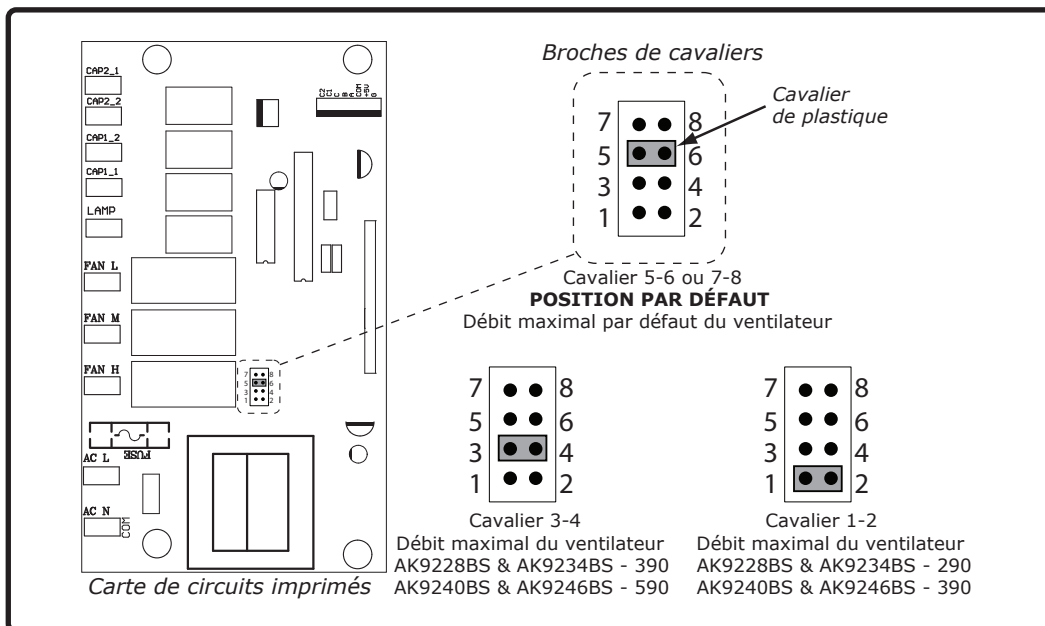
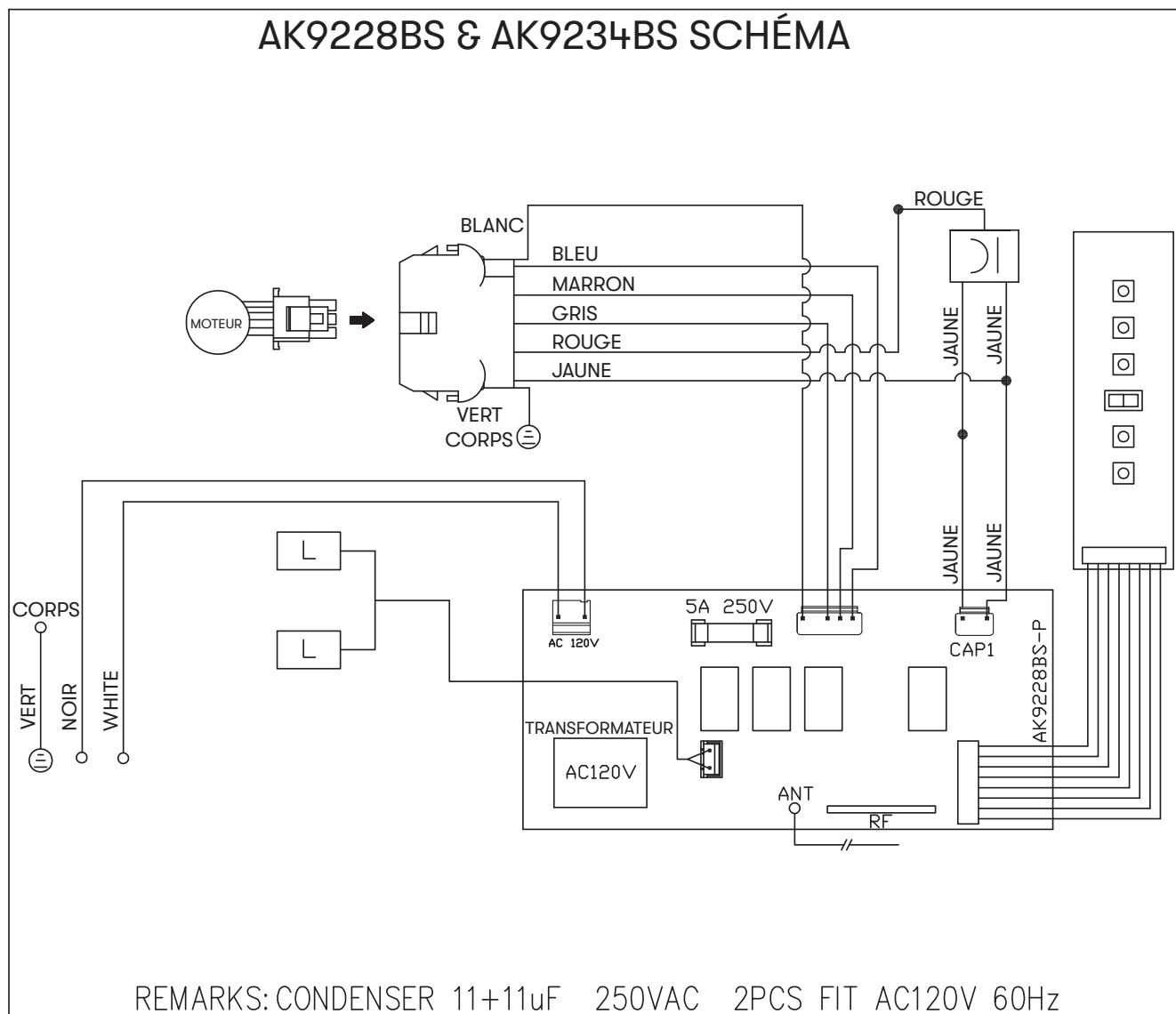


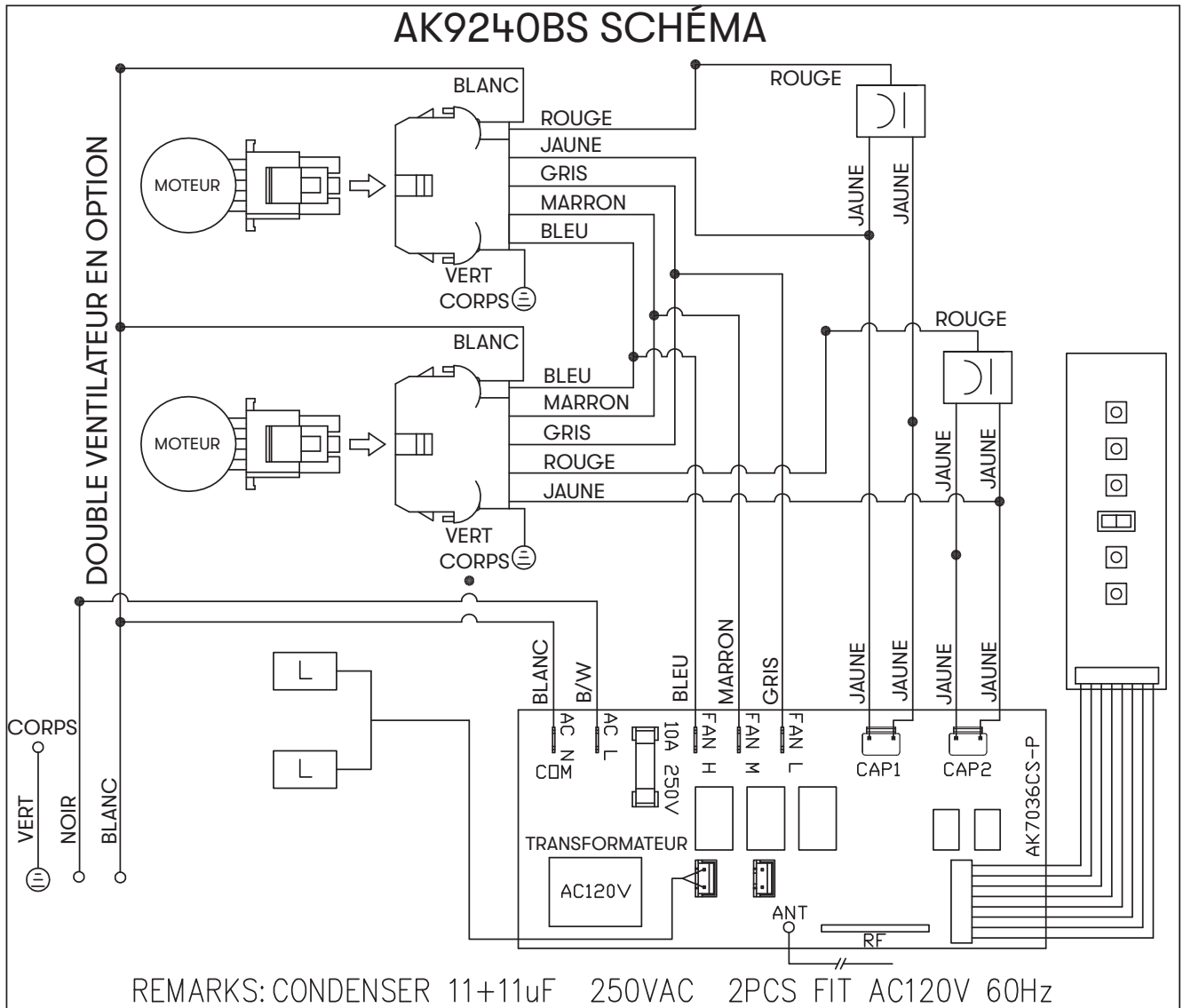
FIG. K

Schéma de câblage



ACT 390 CFM - Ventilateur Max. 355 W à 3,0 A

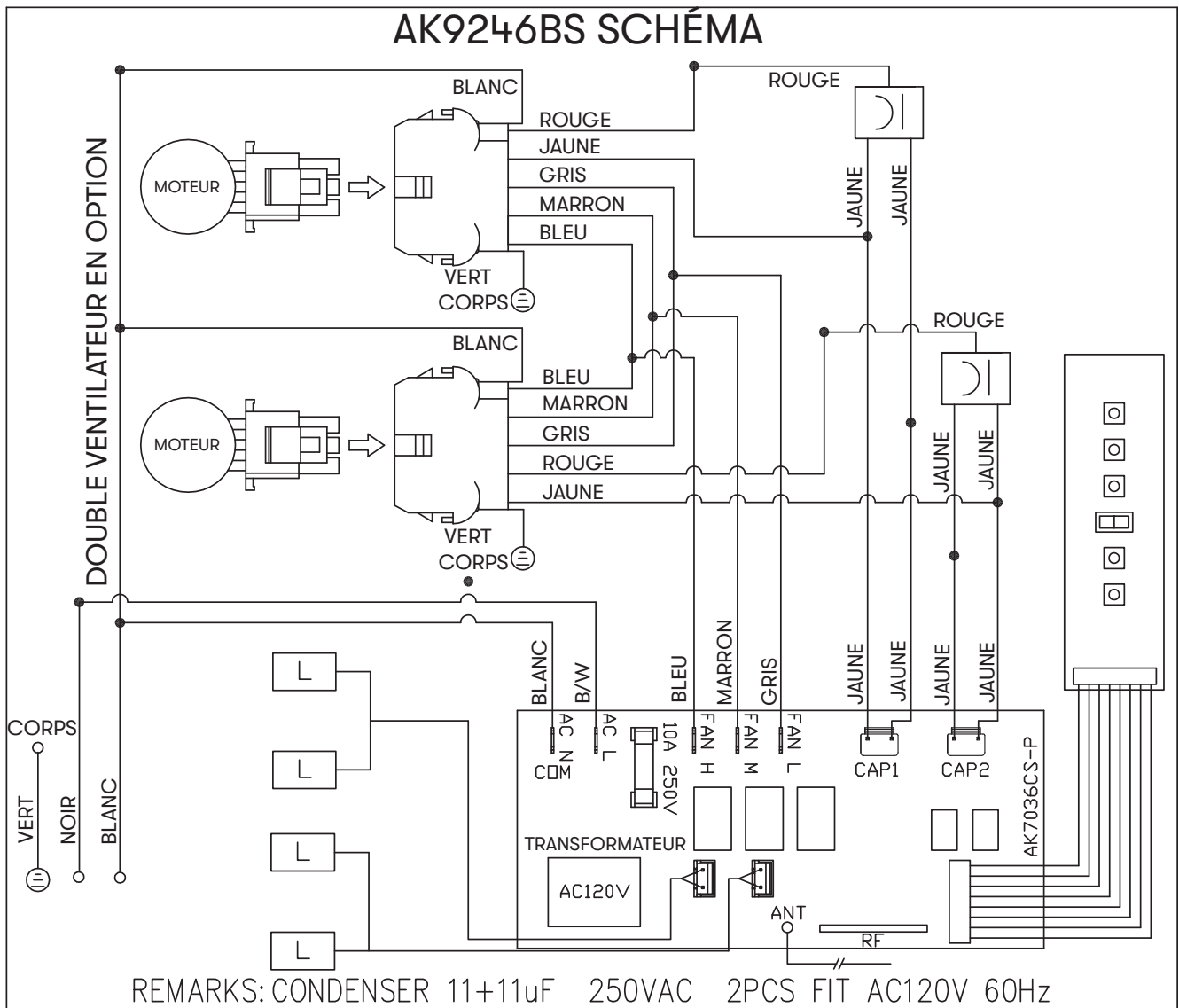
ACT 290 CFM - Ventilateur Max. 255 W à 2,4 A



ACT 590 CFM - Ventilateur Max. 556W à 4,6A

ACT 390 CFM - Ventilateur Max. 381 W à 3,4 A

Schéma de câblage



ACT 590 CFM - Ventilateur Max. 556W à 4,6A

ACT 390 CFM - Ventilateur Max. 381 W à 3,4 A

Problème possible	Cause possible	Solutions
Après l'installation, l'unité ne fonctionne pas.	La source d'alimentation n'est pas allumée.	Assurez-vous que le disjoncteur et l'appareil sont sous tension.
	La ligne d'alimentation et le connecteur de verrouillage du câble ne se connectent pas correctement.	Vérifiez que la connexion électrique avec l'appareil est correctement connectée.
	Les câblages du tableau de commande ou du tableau de commande sont déconnectés.	Assurez-vous que les câblages du tableau de commande et du tableau de commande sont correctement connectés.
	Le tableau de commande ou le tableau de commande est défectueux.	Changer le tableau de commande ou le tableau de commande.
	Les fils du tableau de commande sont desserrés.	Assurez-vous que les fils de la carte de commande sont correctement connectés.
La lumière fonctionne, mais le ventilateur ne tourne pas.	Le fil du ventilateur n'est pas connecté.	Assurez-vous que le fil du ventilateur est branché sur le connecteur molex.
	Le système thermiquement protégé détecte si le ventilateur est trop chaud pour fonctionner et arrête le ventilateur.	Le ventilateur fonctionnera correctement après le refroidissement du système thermiquement protégé.
	Condensateur endommagé.	Changez le condensateur.
	La broche de la prise molex du ventilateur ne fait pas de contact.	Débranchez la fiche molex du ventilateur, vérifiez les broches à l'intérieur de la fiche pour voir si la broche est enfoncée trop loin dans la fiche. Réinitialisez la broche si nécessaire.
	Le ventilateur est défectueux, éventuellement grippé.	Changez le ventilateur.
L'unité vibre.	Le ventilateur n'est pas fixé en place.	Serrez le ventilateur en place.
	Roue de soufflante endommagée.	Remplacez le ventilateur.
	Le capot n'est pas fixé en place.	Vérifiez l'installation de la hotte.
L'unité siffle.	Un filtre n'est pas dans la bonne position.	Ajustez les filtres jusqu'à ce que le sifflement s'arrête.
	Les raccords des tuyaux de conduit ne sont pas scellés ou correctement connectés.	Vérifiez les connexions des conduits pour vous assurer que toutes les connexions sont correctement scellées.
Le ventilateur fonctionne, mais pas les lumières.	Le connecteur de la lumineuse LED est déconnecté.	Connectez le connecteur de la lumineuse LED.
	Lumineuse LED défectueuse.	Changez la lumineuse LED.
	La carte de commutation ou de contrôle est défectueuse.	Changez la carte de commutation ou la carte de commande.

Dépannage

Problème possible	Cause possible	Solutions
La hotte ne s'échappe pas correctement.	Utilisation de la mauvaise taille de conduit.	Changer la gaine à la bonne taille
	La hotte est peut-être suspendue trop haut de la table de cuisson.	Ajustez la distance entre la table de cuisson et le bas de la hotte dans les limites de 24 po et 36 po.
	Le vent des fenêtres ouvertes ou des portes ouvertes dans la zone environnante affecte la ventilation de la hotte.	Fermez toutes les fenêtres et portes pour éliminer le vent extérieur.
	Obstruction dans l'ouverture du conduit ou dans les conduits.	Retirez tout le blocage du conduit ou de l'ouverture du conduit.
L'unité s'allume d'elle-même.	Un spot lumineux brille directement sur les commandes de l'interrupteur.	Les commandes des interrupteurs sont sensibles à la lumière. Une source de lumière directe sur les commandes de l'interrupteur peut perturber les fonctions de l'interrupteur.
Le filtre vibre	Le filtre est lâche.	Ajustez ou changez le filtre.
	Le clip à ressort est cassé sur le filtre.	Changer le clip à ressort.
La télécommande RF ne fonctionne pas.	La batterie est morte.	Remplacez la batterie par du type A23 12v.
	Mauvaise communication avec la doublure.	La télécommande doit être à moins de 15 pieds de la doublure.
	La télécommande RF a perdu la communication avec la doublure.	Réinitialisez la doublure et la télécommande en coupant l'alimentation au disjoncteur pendant 5 minutes. Placez la télécommande sur le comptoir près de la doublure et rallumez le disjoncteur.

La description	Numéro d'article
Pièces de rechange	
LumiLight LED, 6 W	ZOB0047
Filtre à chicane pro (chacun)	50210039
Télécommande RF	14000005
Accessoires optionnels	
Kit d'air d'appoint (600 CFM)	MUA006A
Kit d'air d'appoint (1200 CFM)	MUA010A

Pour commander des pièces, visitez-nous en ligne à <http://store.zephyronline.com> ou appelez-nous au 1.888.880.8368.

Remarques

POUR OBTENIR DU SERVICE SOUS GARANTIE OU POUR TOUTE QUESTION LIÉE À L'ENTRETIEN, veuillez communiquer avec nous au 1-888-880-8368

Zephyr Ventilation, LLC (désigné aux présentes sous le nom de « nous ») garantit au premier acheteur (désigné aux présentes sous le nom de « vous » ou « votre ») de produits Zephyr (les « Produits ») que lesdits produits sont exempts de défauts de fabrication ou de main-d'œuvre selon les conditions suivantes :

Garantie de trois ans sur les pièces : Garantie de trois ans à partir de la date d'achat originale du Produit. Nous fournirons sans frais les Produits ou les pièces (y compris les ampoules LED, le cas échéant) de remplacement qui comportaient des défauts de fabrication. Nous pourrions choisir, à notre seule discrétion, de réparer ou de remplacer des pièces avant de prendre la décision de remplacer le Produit.

Garantie limitée d'un an sur la main-d'œuvre : Garantie d'un an à partir de la date d'achat originale du Produit. Nous couvrirons sans frais les frais de main-d'œuvre afférents à la réparation du Produit ou des pièces de remplacement qui comportaient des défauts de fabrication. Un an après la date d'achat originale, vous serez responsable de tous les frais de main-d'œuvre associés à la présente garantie.

Exclusions de la garantie : Cette garantie ne couvre que la réparation ou le remplacement, à notre gré, de pièces ou de Produits défectueux et ne couvre aucun autre coût afférent aux Produits, dont, sans s'y limiter, les frais liés : (a) à l'entretien normal des Produits et au remplacement des pièces consommables, comme les fluorescent, incandescence ou halogèneampoules, les filtres métalliques, les filtres à charbon et les fusibles; (b) à tout Produit ou pièce ayant été endommagé durant le transport ou étant le résultat d'un mauvais usage, d'une négligence, d'un accident, d'une installation incorrecte ou ne respectant pas les notices d'installation recommandées, d'un entretien ou d'une réparation inapproprié (dont ne nous sommes pas responsables); (c) à une utilisation commerciale ou ne correspondant pas à l'utilisation pour laquelle les Produits sont conçus; (d) à l'usure naturelle du fini, à l'usure due à un entretien inadéquat, à l'utilisation de produits nettoyants corrosifs ou abrasifs, de tampons nettoyeurs et de produits de nettoyage pour le four; (e) aux éclats, entailles ou fissures résultant d'un abus ou d'une mauvaise utilisation du Produit; (f) aux déplacements d'un technicien de service à votre domicile pour vous montrer comment utiliser les Produits; (g) aux dommages causés par un accident, un incendie, une inondation, un cas fortuit; ou (h) Les installations personnalisées ou modifications qui ont un impact sur la maintenabilité du Produit. Si vous vous trouvez à l'extérieur du territoire que nous desservons, des frais supplémentaires pourraient s'appliquer pour la livraison des produits à nos points de service désignés pour une réparation sous garantie ou vous pourriez avoir à déboursier les frais de déplacement du technicien à votre domicile pour que le Produit soit réparé, enlevé ou réinstallé. Un an après la date d'achat originale du Produit, vous êtes également responsable de tous les frais de main-d'œuvre associés à la présente garantie.

Restrictions de la garantie. NOTRE OBLIGATION DE RÉPARER OU DE REMPLACER, À NOTRE GRÉ, LE PRODUIT CONSTITUE VOTRE SEUL ET UNIQUE RECOURS SOUS LA PRÉSENTE GARANTIE. NOUS NE NOUS PORTONS PAS RESPONSABLES POUR TOUT DOMMAGE INDIRECT, ACCESSOIRE OU PARTICULIER RÉSULTANT OU AYANT UN LIEN AVEC L'UTILISATION OU LE RENDEMENT DES PRODUITS. LES GARANTIES EXPRESSES DE LA SECTION PRÉCÉDENTE SONT EXCLUSIVES ET TIENNENT LIEU DE TOUTE AUTRE GARANTIE EXPRESSE. PAR LES PRÉSENTES, NOUS REJETONS ET EXCLUONS TOUTE AUTRE GARANTIE EXPRESSE POUR LES PRODUITS ET TOUTES LES GARANTIES TACITES PRÉVUES PAR LA LOI, DONT CELLES RELATIVES À LA QUALITÉ MARCHANDE OU À L'ADÉQUATION DU PRODUIT POUR UNE UTILISATION PARTICULIÈRE. Certains États ou provinces n'autorisent pas les restrictions sur la durée d'une garantie implicite ou l'exclusion ou la restriction des dommages indirects ou accessoires; par conséquent, les exclusions et restrictions mentionnées ci-dessus pourraient ne pas s'appliquer à votre cas. Dans la mesure où une loi applicable interdit l'exclusion de garanties implicites, la durée de toute garantie implicite applicable se limite à la période de deux ans décrite ci-dessus. L'unique objectif de toute description orale ou écrite est de présenter les Produits et celle-ci ne devrait pas être interprétée comme une garantie expresse. Avant d'utiliser ou de permettre l'utilisation des Produits, vous devez déterminer si les Produits conviennent aux utilisations prévues et vous devez assumer tout risque et toute responsabilité relatifs à ces utilisations. Nous nous réservons le droit d'utiliser des pièces reconstruites ou remises à neuf pour remplacer l'une des fonctionnalités dans le cadre de la présente garantie ou de l'une des parties de la présente garantie. L'acheteur original ne peut transférer la présente garantie et celle-ci n'est valide qu'aux États-Unis et au Canada.

Pour obtenir du service sous la garantie : Pour avoir droit à du service sous garantie, vous devez : (a) nous avertir en utilisant l'adresse ou le numéro de téléphone inscrit ci-dessous dans les soixante jours suivant la détection du défaut; (b) donner le numéro du modèle, le numéro d'identification de la pièce ainsi que le numéro de série; et (c) décrire la nature de tout défaut de la pièce ou du Produit. Au moment de faire la demande de service sous garantie, vous devrez présenter votre preuve d'achat et la preuve de la date d'achat originale. Si nous déterminons que les exclusions de la garantie énumérées ci-dessus s'appliquent ou si vous vous trouvez dans l'incapacité de nous fournir la documentation nécessaire pour obtenir du service, vous serez responsable de tous les frais d'expédition, de déplacement, de main-d'œuvre ou de tout autre coût afférent au service.

Veuillez consulter notre site Web au www.zephyronline.com pour savoir si des révisions ont été apportées à la garantie.

Zephyr Ventilation Service Department, 2277 Harbor Bay Parkway, Alameda, CA 94502 1-888-880-8368

MAY20.0501

Enregistrement du produit

Nous vous félicitons d'avoir acheté un produit Zephyr. Veuillez prendre un moment pour enregistrer votre nouveau produit au www.zephyronline.com/registration

C'EST IMPORTANT

Cet enregistrement rapide est utile à bien des égards.

- Il assure la couverture de votre garantie si vous avez besoin de service après-vente.
- À des fins d'assurance, il permet de confirmer que vous êtes le propriétaire.
- Il vous permet de recevoir des avis concernant des modifications ou des rappels de produits.



Zephyr Ventilation | 2277 Harbor Bay Pkwy. | Alameda, CA 94502 | 1.888.880.8368