

AKD3001

30" Culinary Series Professional Gas & Electrical Dual Fuel Range

- Versatile German designed tower burners (high power or low simmer)
- Large 4.5-cu. ft. capacity convection oven with blue porcelain interior
- Durable, high-grade LED illuminated knobs
- Heavy-duty continuous grates
- Equipped with adjustable, full-extension glide racks



Continuous Grates maximize cooking surface



Premium LED lit metal knobs

Oven Properties and Features

| | |
|---------------------------------------|-------------------------|
| Oven Capacity | 4.5-cu. ft. |
| Cooking Modes | Bake, Convection, Broil |
| Cleaning Type | Manual |
| Oven Bake | Incoloy Element |
| Bake Power | 2,800W |
| Broiler Power | 3,500W Incoloy Element |
| Adjustable Full Extension Glide Racks | 2 |
| Interior Material | Blue Porcelain |
| Convection | Yes |

Cooktop Properties and Features

| | |
|--------------------------------|-----------------------|
| Cooking Grates | Cast Iron, Continuous |
| Total Number of Sealed Burners | 4 Dual Power |
| Drip Pan | Black Porcelain |
| Knobs | Stainless Steel, LED |
| Front Left Burner Power | 18,000 BTU/650 BTU |
| Front Right Burner Power | 18,000 BTU/650 BTU |
| Rear Left Burner Power | 9,000 BTU/650 BTU |
| Rear Right Burner Power | 9,000 BTU/650 BTU |

Additional Information

| | |
|-----------------------|---------------------------------|
| Warranty | 2 Year, Parts & Labor |
| Included Accessories | Broiler Pan |
| Available Accessories | Additional Racks / Broiler Pans |



Large Capacity Oven with Blue Interior

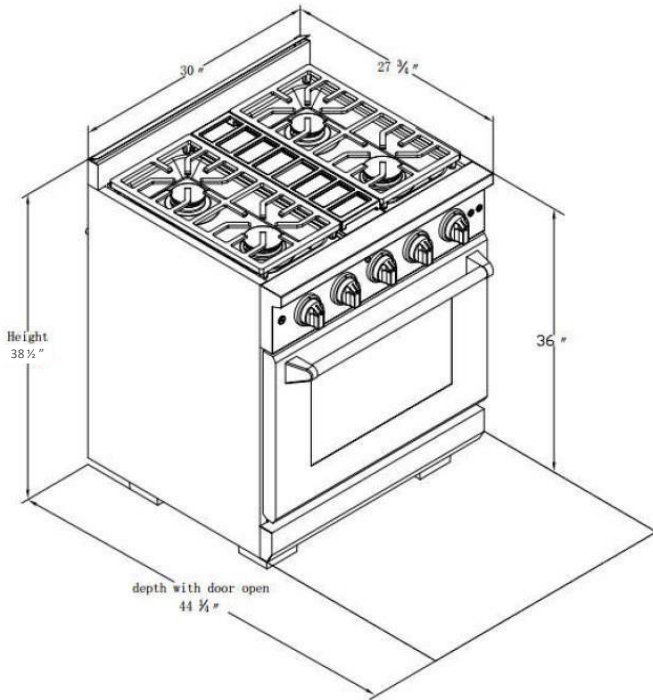


Incoloy Element



Ultra Low Simmer and High Power Dual Burners

Overall Dimensions

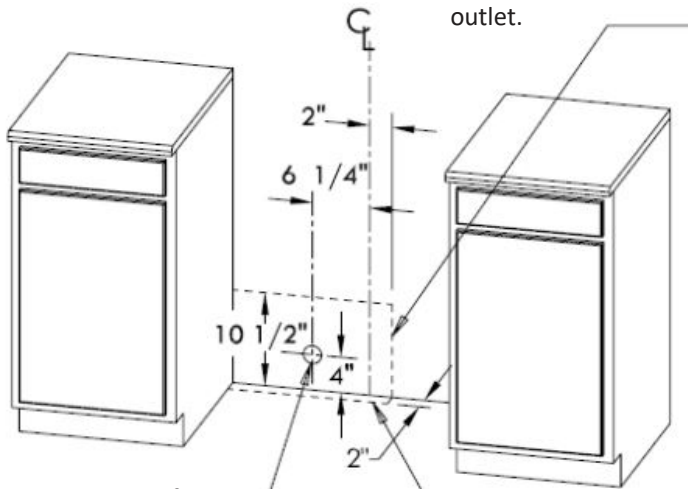


Technical Details

| | |
|-------------------------|-----------------------|
| Overall Dimensions | 28"D x 30"W x 39"H |
| Adjustable Range Height | 7/8" |
| Net Weight | 355 lbs. |
| Backguard Height | 2.5" |
| Amps/Volts/Freq | 50A/240V/60Hz |
| Plug Type | 4 Prong |
| Gas Type | Natural Gas (15 mbar) |

Hook Up Requirements

Area allows for flush installation with through-the-wall connection of pipe stub/shut-off valve and rear wall 240V outlet.



Shortest connection from hard pipe stub location to range hook-up

Area allows for flush installation with through-the-floor connection of pipe stub/shut-off valve

Hood Install Guides

