



iiio™
turn your space into your place

RM1
ALBR1372-11

11 cu. ft. frost free refrigerator with bottom freezer

It's cool, it's stylish, it's fun. This modern-retro slim refrigerator, has a surprising amount of adjustable space, left or right-hand door swing, and is very energy efficient. With bright LED illumination, 3 safety glass shelves, a convenient frost-free top fresh food area and bottom freezer, the iio RM1 comes in gorgeous white, cream, light blue, wine red or black to fit any decor.



- ### features
- Retro style
 - Frost free
 - Left & Right hinge available
 - Energy Star certified
 - Multi-flow cooling
 - Electronic controls
 - Super fresh zone
 - Fast cool function
 - LED light
 - Roll-out freezer drawers
- ### more features
- Adjustable glass shelves
 - Metal chrome handle
 - Adjustable door shelves
 - Two years parts and labour warranty

- ### specifications
- MODEL:** ALBR1372-11
- OPERATION:** 115V~ / 60Hz / 0.76 A
- FRIDGE SIZE:** 11 cu/ft
- DIMENSIONS:** W x D x H
23.25" x 24.5" x 73.3"
- WEIGHT:** 145.5 lbs / 66 kg

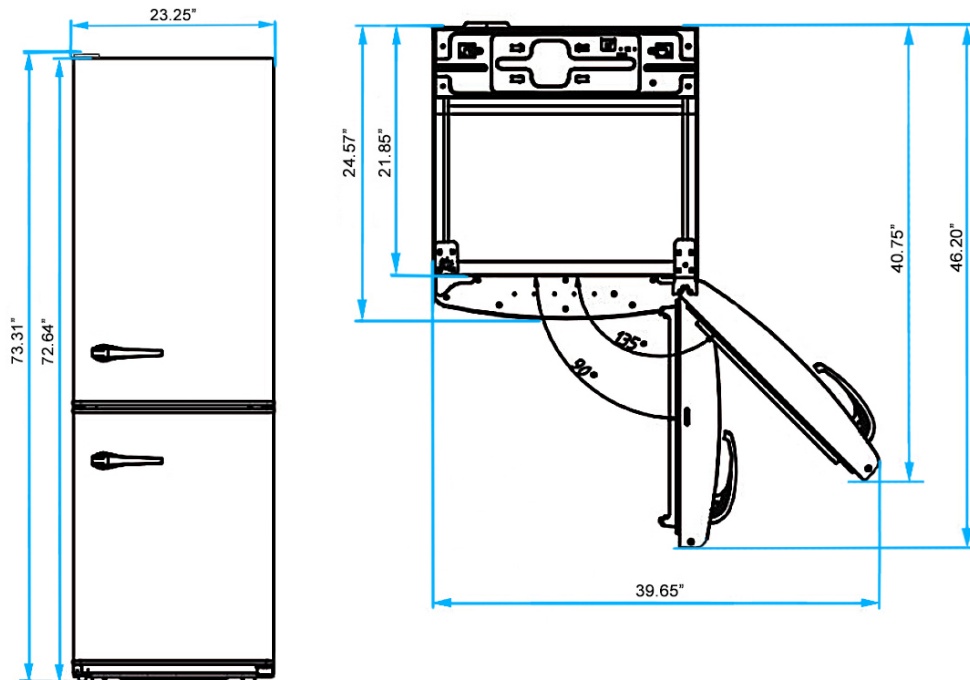
AVAILABLE COLORS



RM1

11 cu. ft. frost free refrigerator with bottom freezer

ALBR1372-11



iiio care
24-month
protection
coverage



Most energy
efficient
refrigerator
2020

Cooling System	Frost free	Bottle/Wine Shelf	Yes
Control System	Electronic Control	Compressor	Variable Speed
Total Net Volume	11 cubic feet	Fan Ventilation	Yes
Fresh Food Net Volume	7.7 cubic feet	Cooling Gas	R600a
Freezer Food Net Volume	3.3 cubic feet	Retro Handle	Chrome Metal
Inner Display Type	Digital	Ice Cube Tray	Yes
Shelves	3 Safety Glass	Supply Voltage	115V~ / 60Hz / 0.76 A
Inner Illumination	LED	Noise Level	42 dBA
Freezer Drawers	3	Energy Star Qualified	Yes - Most Efficient 2020
Crispers	1	Annual Energy Consumption	350 kWh/year
Door Shelves	4	Electrical Cord Length	7 feet

Whatever space you have in your life, whether it's a first loft, townhome, Airbnb, cottage or dream house, we will help you find and fill it with truly personal home appliances that you'll love. Delightful design, smart technology, future-friendly efficiency... we'll help you create a place in the world that you're proud to show off, and where you can be you.

Specifications subject to change without notice.

© 2021 iio kitchen. All rights reserved.

RM1

iiio™
turn your space into your place

1-833-446-4461 www.iioKitchen.com