



Portable Room AIR CONDITIONER

IMPORTANT SAFETY INFORMATION 3

USING THE AIR CONDITIONER 4

CARE AND CLEANING 7

INSTALLATION INSTRUCTIONS 9

TROUBLESHOOTING 13

WIFI SETUP 14

LIMITED WARRANTY15

CONSUMER SUPPORT16

OWNER'S MANUAL AND INSTALLATION INSTRUCTIONS

APCA10
APWA11

Before you begin (on some models)

Record the GE module number and password for wifi setup. To locate this information, see page 14.

GE Module Number # _____

Password # _____

Write the model and serial numbers here:

Model # _____

Serial # _____

Find these numbers on a label on the side of the air conditioner.

THANK YOU FOR MAKING GE APPLIANCES A PART OF YOUR HOME.

Whether you grew up with GE Appliances, or this is your first, we're happy to have you in the family.

We take pride in the craftsmanship, innovation and design that goes into every GE Appliances product, and we think you will too. Among other things, registration of your appliance ensures that we can deliver important product information and warranty details when you need them.

Register your GE appliance now online. Helpful websites and phone numbers are available in the Consumer Support section of this Owner's Manual. You may also mail in the pre-printed registration card included in the packing material.



IMPORTANT SAFETY INFORMATION

READ ALL INSTRUCTIONS BEFORE USING THE APPLIANCE

IMPORTANT SAFETY INSTRUCTIONS

⚠ WARNING

To reduce the risk of fire, electrical shock, injury to persons, or damage when using the air conditioner, follow basic precautions, including the following:

- Read all of the instructions before using this appliance.
- Plug into a grounded 3 prong outlet.
- Do not remove ground prong.
- Do not use an adapter.
- Do not use an extension cord.
- Do not operate the air conditioner if it has a damaged cord or plug, if it is not working properly, or if it has been damaged or dropped.
- GE Appliances does not support any servicing of the air conditioner. Refer to warranty information for refund or exchange options.

- Disconnect power before servicing.
- Disconnect power before cleaning.

NOTE: Turning off power by pressing the Power button does NOT disconnect the appliance from the power supply.

- Do not install or use the air conditioner in any area where the atmosphere contains combustible gases or where the atmosphere is contaminated. Avoid any chemicals coming in contact with your air conditioner.
- Do not store anything directly on top of the air conditioner.
- Use two or more people to move and install air conditioner.
- Never operate the air conditioner without the filters in place.
- Do not use the air conditioner near a bathtub, shower or wash basin or other wet area.

WARNING

Risk of Fire or Explosion. This unit contains flammable refrigerant. Additional safety precautions must be followed.



- Do not use means to accelerate the defrosting process or to clean, other than those recommended by the manufacturer.
- The appliance shall be stored in a room without continuously operating ignition sources (for example: open flames, an operating gas appliance or an operating electric heater).
- Do not pierce or burn refrigerant tubing. Be aware that refrigerants may not contain an odor.
- Keep ventilation openings clear of obstruction.
- When handling, installing, and operating the appliance, care should be taken to avoid damage to

the refrigerant tubing.

- Do not drill holes in the unit.
- Maintenance, cleaning, and service should only be performed by technicians properly trained and qualified in the use of flammable refrigerants.
- GE Appliances does not support any servicing of the air conditioner.
- Dispose of air conditioner in accordance with Federal and Local Regulations. Flammable refrigerants require special disposal procedures. Contact your local authorities for the environmentally safe disposal of your air conditioner.

⚠ WARNING

How to Insert the Batteries in the Remote Control

- Remove the battery cover by sliding it according to the arrow direction.
- Insert new batteries, making sure that the (+) and (-) of battery are installed correctly.
- Reattach the cover by sliding it back into position.

NOTES:

- Use 2 “AAA” (1.5 volt) alkaline batteries. Do not use rechargeable batteries
- Remove the batteries from the remote control if the system is not going to be used for a long time.
- Do not mix old and new batteries. Do not mix alkaline, standard (carbon-zinc) or rechargeable (ni-cad, ni-mh, etc) batteries.

⚠ WARNING

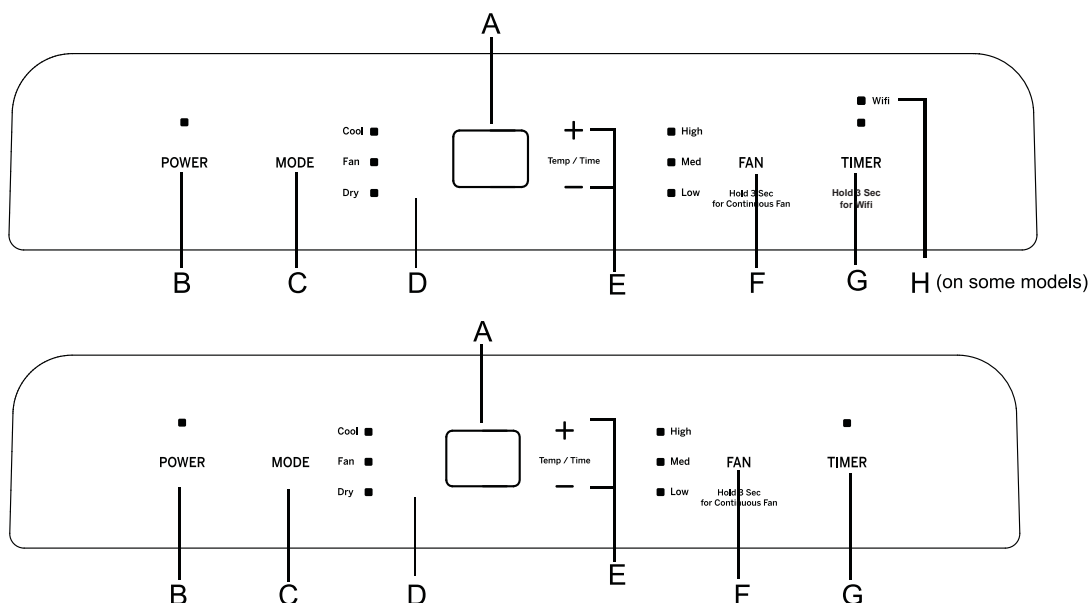
Caution for Ingestion. The battery may cause suffocation if swallowed by children.

READ AND SAVE THESE INSTRUCTIONS

Controls

Features and appearance will vary.

Lights next to the touch pads on the air conditioner control panel indicate the selected settings.



Controls

A. CONTROL PANEL DISPLAY

Displays the Set Temperature in degrees Fahrenheit. The corresponding indicator light will illuminate.

B. Power Button

Turns ON/OFF power to the air conditioner.

NOTE: Turning off power by pressing the **Power** button does NOT disconnect the appliance from the power supply.

- Press the **Power** button.
The Power indicator will illuminate.

C. Mode Button

Press the **Mode** button to toggle among the operating options. The corresponding indicator will illuminate:

- Cool** – Cools the room to the set temperature
- Dry** – Reduces the humidity in the room
- Fan** – Circulates the air in the room without cooling.

D. Remote Control Signal Receiving Window

Aim the Remote Control at this window so the Control will receive the signal.

E. Up and Down Arrow Buttons

Adjusts the Temperature or Hours in Time Delay.

To Set the Temperature:

The temperature can be set between 64°F and 86°F (18°C and 30°C) when the air conditioner is in Cool mode.

1. Press the **Mode** button until the Cool mode is selected.
2. Press the **Up Arrow or Down Arrow** buttons to select the Temperature.

NOTE: The temperature cannot be set when the air conditioner is in either Fan or Dry mode.

F. Fan Speed Button

The fan speed can be adjusted from Low speed, Medium speed, to High speed when the air conditioner is either in Cool or Fan mode.

NOTE: The fan speed cannot be adjusted when the unit is in Dry mode.

- Press the **Fan Speed** button to toggle among the three speeds. The corresponding fan speed indicator will illuminate.

1. Continuous Fan Mode

To activate continuous fan mode, press and hold Fan Speed button for 3 seconds. “C1” will show on display for continuous fan mode. When set temperature is achieved, indoor fan will continue to run in Cool mode. (While in Heat and Dry mode fan will continue to cycle off with compressor.) To cancel continuous fan mode, press and hold Fan Speed button for 3 seconds. “C2” will show on display.

NOTE: Activating and canceling continuous fan mode can only be done while unit is off or in cool mode. This function cannot be selected while in other modes.

G. Timer Button

Program a time from (1-hour to 24-hours) for the air conditioner to turn Off or On. When a Time Delay is programmed, the Timer indicator light will illuminate.

While the air conditioner is operating:

1. Press the **Timer** button.
2. Press the **Up/Down arrow** buttons to select the number of hours you want the air conditioner to continue to operate before turning Off.

NOTE: Wait approximately 5 seconds for the Turn-Off time to be saved.

While the air conditioner is off:

1. Press the **Timer** button.
2. Press the **Up/Down arrow** buttons to select the number of hours you want the air conditioner to remain off before turning On.

NOTE: Wait approximately 5 seconds for the Turn-On time to be saved.

To cancel the timer:

- Press the **Timer** button once, the hours remaining will flash, press the **Timer** button again and the timer will be canceled.

H. WiFi Connect Pad (on some Models)

1. Press and hold the **Timer** button for 3 seconds to connect the app or disconnect the app.
2. Connect your air conditioner to WiFi router. Refer to the “WiFi Set up” section for more information.

Controls

Set Temperature will be shown when unit is in operation.

Cool Mode

Use the COOL mode for cooling.

To set the COOL mode:

1. Press the **MODE** pad until the **COOL** indicator light is lit.
2. Press the **FAN** pad to set HIGH, MEDIUM, or LOW fan speed.
3. Press **+ or -** to set the desired temperature between 64°F and 86°F in 1°F increments.

After settings have been made, the display will not change back to show the room temperature.

The temperature control is used to maintain the room temperature. The compressor will cycle on and off to keep the room at the set level of comfort. Set the temperature control at a lower number and the indoor air will become cooler. Set the temperature control at a

higher number and the indoor air will become warmer.
NOTE: If the air conditioner is off and is then turned on while set to COOL, it will take approximately 3 minutes for the compressor to start and cooling to begin.

Cooling Descriptions

For Normal Cooling—Select the COOL mode and HIGH, MEDIUM, or LOW fan speed with a middle set temperature.

For Maximum Cooling—Select the COOL mode and HIGH fan speed with a lower set temperature.

For Quieter & Nighttime Cooling—Select the COOL mode and LOW fan speed with a middle set temperature.

NOTE: If you switch from COOL or DRY mode setting to OFF, wait 3 minutes before restarting.

DRY Mode—Dehumidification

Use the DRY mode to provide dehumidification only. The fan will run at a fixed speed at this setting, so a fan speed cannot be set. Keep windows and doors closed for the best dehumidifying effects.

To set the DRY mode:

- Press the **MODE** pad until the DRY indicator light is lit. In the DRY mode, a set temperature will not be displayed. After DRY mode has been set, the display will change back to show the room temperature.

NOTE: If you switch from a DRY setting to OFF or to a

fan setting, wait at least 3 minutes before switching back to a DRY setting.

If using the unit in the DRY mode as a dehumidifier for an extended time.

1. Unplug the power cord.
2. Connect a ½" Outer diameter flexible drain hose to the upper drain port and drain to floor drain.
3. Reconnect the power cord and press the MODE pad until the DRY indicator light is lit.

FAN Mode

Use the FAN mode to provide air circulation and filtering without cooling.

To set the FAN mode:

- Press the FAN pad until the desired indicator light for HIGH, MEDIUM, or LOW fan speed is lit.

Since fan only settings do not provide cooling, a set temperature will not be displayed. After FAN speed has been set, the display will change back to show the room temperature. The exhaust hose and window kit do not need to be installed when operating in fan mode.

Power Outage Recovery Feature

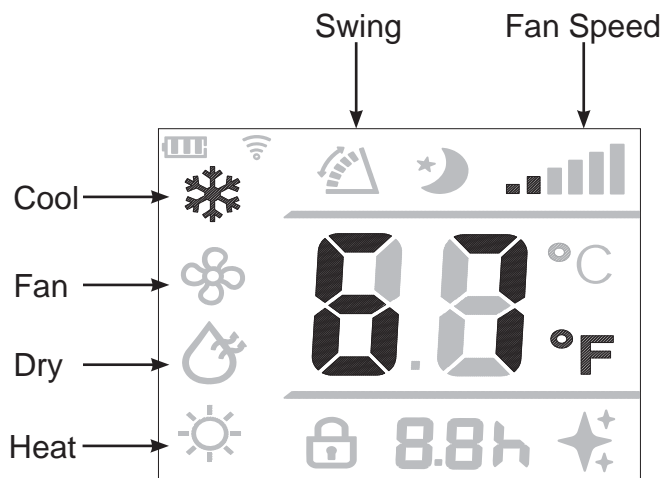
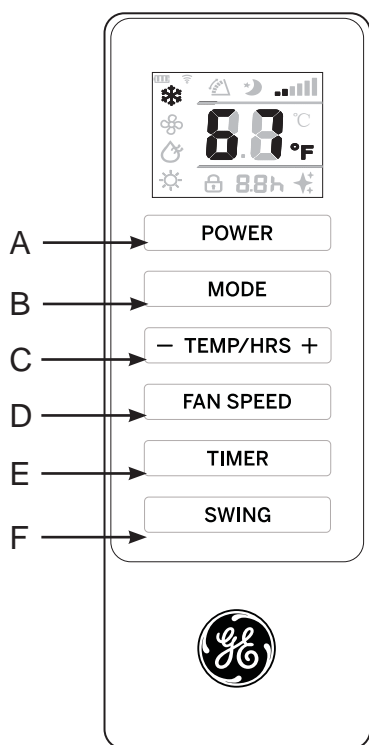
In the case of a power outage or interruption, the unit will automatically re-start in the settings last used after the power is restored.

NOTE: If the TIMER was set before the power outage, it will need to be reset after power is restored.

NOTE: The default temperature reading on the display is degree Fahrenheit (°F). To change the display to degree Celcius (°C), press the Temp Increase + and Temp Decrease – buttons together. Repeat the process to change back to degree Fahrenheit (°F).

Controls

Features and appearance may vary.
Icons on the remote control indicate the selected settings.



REMOTE CONTROL

1. Insert the two batteries (provided).
2. Aim the remote control at the signal receiver on the control panel to operate the air conditioner.

A. Power

Turns ON/OFF power to the air conditioner.

NOTE: Turning off power by pressing the Power button does NOT disconnect the appliance from the power supply.

- Press the Power button. The Power indicator will illuminate.

B. Mode

Press the Mode button to toggle among the operating options. The corresponding indicator will illuminate:

- Heat (on some models) - Heats the room to the set temperature
- Cool – Cools the room to the set temperature
- DRY – Reduces the humidity in the room
- Fan – Circulates the air in the room without cooling

C. Temperature

Adjusts the Temperature or Hours in Time Delay.

To Set the Temperature:

The temperature can be set between 64°F and 86°F (18°C and 30°C) when the air conditioner is in Cool mode.

1. Press the Mode button until the Cool mode is selected.
2. Press the Up Arrow or Down Arrow buttons to select the Temperature.

NOTE: The temperature cannot be set when the air conditioner is in either Fan or DRY mode.

D. Fan Speed

The fan speed can be adjusted from Low, Medium, to High speed when the air conditioner is in operation.

NOTE: The fan speed cannot be adjusted when the unit is in DRY mode.

- Press the Fan Speed button to toggle among the three speeds. The corresponding fan speed indicator will illuminate.

E. Timer

Program a time from (1-hour to 24-hours) for the air conditioner to turn Off or On. When a Time Delay is programmed, the Timer indicator light will illuminate.

F. Swing Button

The louvers on your portable air conditioner will open automatically (do not pry them open or push them shut).

Use the Swing Button on your remote to adjust the louvers in the position you would like them to be in, or to operate in Swing mode the louvers will continue to move up and down.

Care and Cleaning

CLEANING

⚠ WARNING



Electrical Shock Hazard

Disconnect power before cleaning.

Failure to do so can result in death or electrical shock.

1. Unplug or disconnect power.
2. Use only a soft cloth dampened with water to clean the cabinet.

NOTE:

- Do not use a liquid or spray cleaner to clean the air conditioner.
 - DO NOT use chemicals, abrasives, ammonia, chlorine bleach, concentrated detergents, solvents or scouring pads. Some of these chemicals/items may damage and/or discolor your air conditioner.
3. Dry thoroughly with a soft cloth.
 4. Plug in or reconnect power.

Air Filter

The air filters should be cleaned at least every two weeks for your unit to operate at optimum efficiency.

⚠ CAUTION

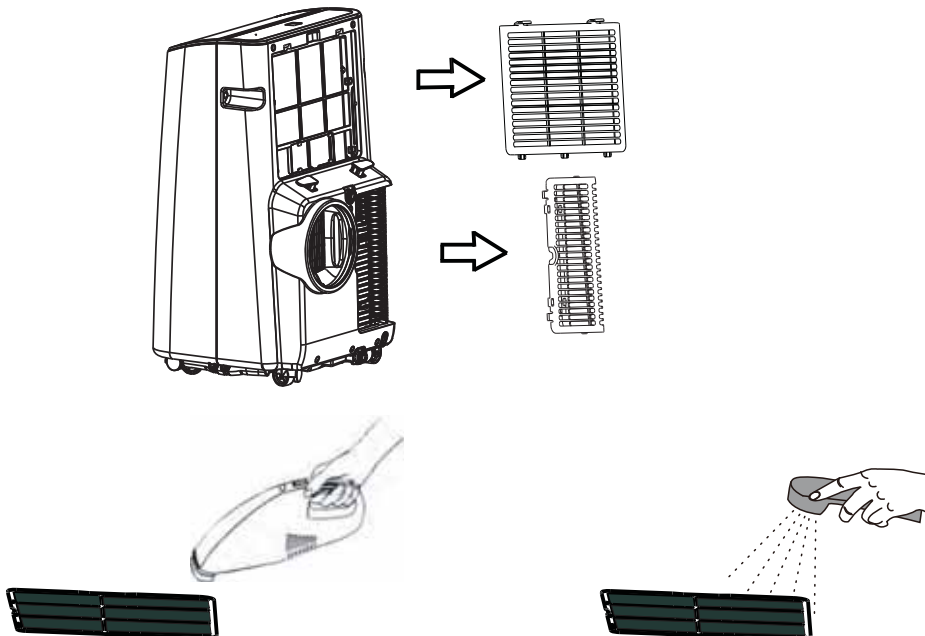
DO NOT operate the air conditioner without a filter because dirt and lint will clog it and reduce performance.

To remove:

1. Unplug or disconnect power.
2. Pull to remove upper filter panel.
3. Wash or vacuum the dust from the air filters.

NOTE: If washed, gently shake the filter to remove the excess water and dust particles trapped in the filter.

4. Reinstall the filters.
5. Plug in or reconnect power.



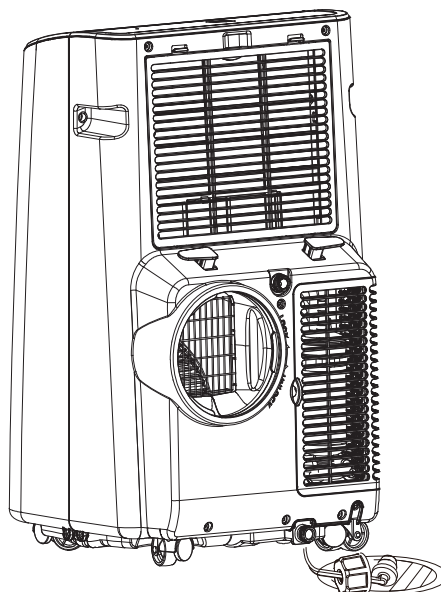
Care and Cleaning

Internal Water Tank

The Water Full indicator (“FL” on the control panel display) illuminates when the internal water tank has filled with condensed water.

To Empty the Internal Water Tank:

1. Unplug or disconnect power.
2. Place a shallow 1 quart or larger pan (not included) below the lower drain located on the back (near the bottom) of the air conditioner.
3. Remove the cap and the rubber plug and drain the water tank.
4. Re-insert the drain plug and screw the cap snugly into place.
5. Plug in or reconnect power.



Storage

If the unit is not being used for a long period of time:

To Empty the Internal Water Tank:

1. Unplug or disconnect power.
2. Drain the water from the water tank. (See “Internal Water Tank section” above.)

3. Use the original packaging to repack the unit to avoid a buildup of dust or dirt.

4. Store the air conditioner in a cool, dry location.

How to Insert the Batteries in the Remote Control

1. Remove the battery cover by sliding it according to the arrow direction.
2. Insert new batteries, making sure that the (+) and (-) of battery are installed correctly.
3. Reattach the cover by sliding it back into position.

NOTES:

- Use 2 “AAA” (1.5 volt) alkaline batteries. Do not use rechargeable batteries.
- Remove the batteries from the remote control if the system is not going to be used for a long time.
- Do not mix old and new batteries. Do not mix alkaline, standard (carbon-zinc) or rechargeable (ni-cad, ni-mh, etc) batteries.

Installation Instructions

Questions? Call GE Appliances at 800.GE.CARES (800.432.2737) or visit our Website at: GEAppliances.com. In Canada, call 1.800.561.3344 or visit our Website at: www.GEAppliances.ca

BEFORE YOU BEGIN

Read these instructions completely and carefully.

- **IMPORTANT** — Save these instructions for local inspector's use.
- **IMPORTANT** — Observe all governing codes and ordinances.
- **Note to Installer** – Be sure to leave these instructions with the Consumer.
- **Note to Consumer** – Keep these instructions for future reference.
- **Skill level** – Installation of this appliance requires basic mechanical skills.
- **Completion time** – Approximately 1 hour
- We recommend that two people install this product.
- Proper installation is the responsibility of the installer.
- Product failure due to improper installation is not covered under the Warranty.
- You **MUST** use all supplied parts and use proper installation procedures as described in these instructions when installing this air conditioner.

ELECTRICAL REQUIREMENTS



Some models require a 115/120-volt AC, 60-Hz grounded outlet protected with a 15-amp time-delay fuse or circuit breaker.

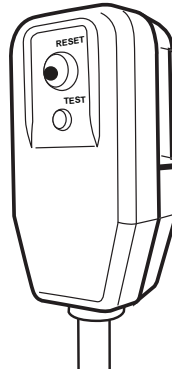
The 3-prong grounding plug minimizes the possibility of electric shock hazard. If the wall outlet you plan to use is only a 2-prong outlet, it is your responsibility to have it replaced with a properly grounded 3-prong wall outlet.

CAUTION

Do not, under any circumstances, cut or remove the third (ground) prong from the power cord.

Do not change the plug on the power cord of this air conditioner.

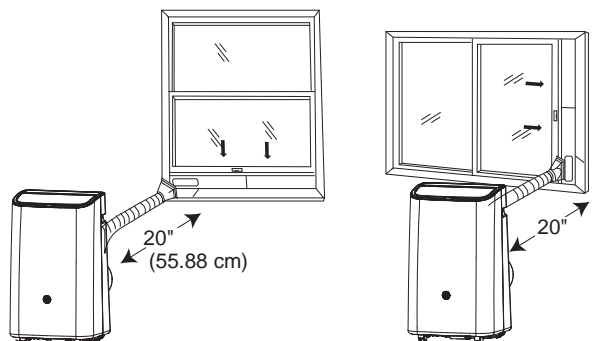
Aluminium house wiring may present special problems—consult a qualified electrician.



Power cord includes a current interrupter device. A test and reset button is provided on the plug case. The device should be tested on a periodic basis by first pressing the TEST button and then the RESET button while plugged into the outlet. If the TEST button does not trip or if the RESET button will not stay engaged, discontinue use of the air conditioner and contact a qualified service technician.

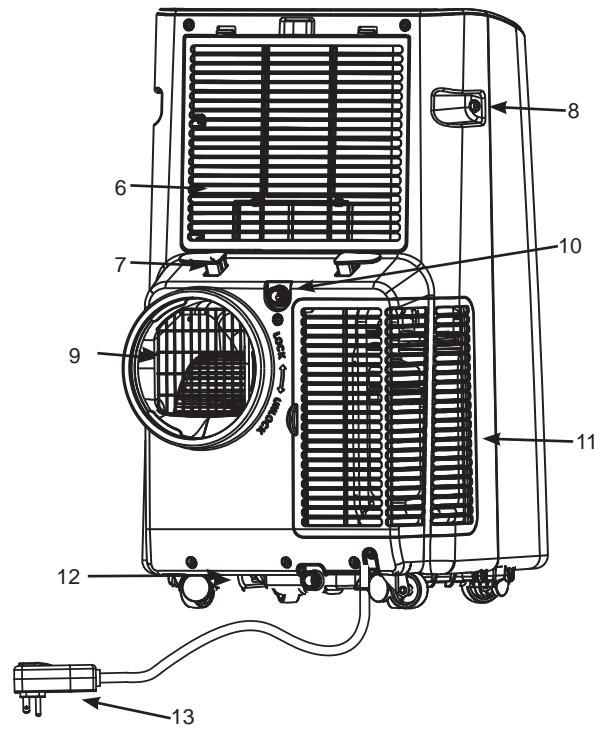
Location Requirements

- Place the air conditioner on a flat, level surface. For optimal performance place portable 20" from exterior wall. For all other sides a minimum distance of 30" should be maintained.
- Keep the air conditioner free of any obstructions such as drapes, curtains, blinds, etc.
- The exhaust hose should be free of any obstructions.
- Do not place the air conditioner on an unstable or raised surface because it could fall and cause damage or injury.
- Do not place the air conditioner in direct sunlight or near a heat source such as baseboard heaters, stoves, etc.
- The window panel can be installed in a window with a minimum 20" (55.88 cm) to a maximum 46" (121.92) opening.

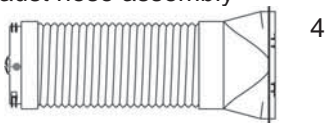


Installation Instructions

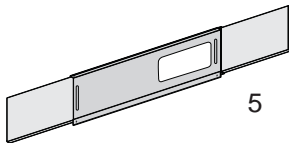
PARTS INCLUDED
(Appearance may vary)



- 1. Control Panel
- 2. Swing Air Louvers
- 3. Casters
- 4. Exhaust hose assembly



- 5. Window sealing plate assembly



- 6. Filter Panel
- 7. Power Cord Hook (2)
- 8. Handle (2)
- 9. Air Vent - exhaust
- 10. Continuous Drainage hole
- 11. Air inlet grille
- 12. Drainage hole
- 13. Power Cord and plug
- 14. Small Screw



Installation Instructions

1. UNPACK AIR CONDITIONER

⚠ WARNING

Excessive Weight Hazard

Use two or more people to move and install air conditioner.

Failure to do so can result in back or other injury.

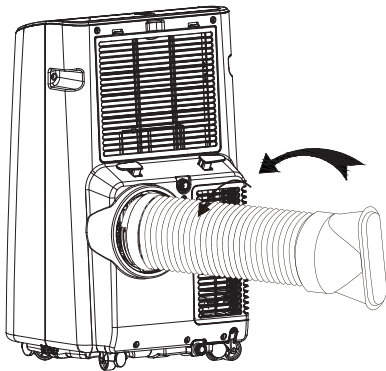
- Remove packaging materials. Save the carton and the foam packaging for storing the air conditioner when not in use.

NOTE: There are NO packing materials inside the air conditioner to remove—Do Not open the cabinet.

- Properly dispose of/recycle all packing material.
- Handle the air conditioner gently.
- Keep the air conditioner upright and level. Do not set the air conditioner on its side, front, back or upside down.

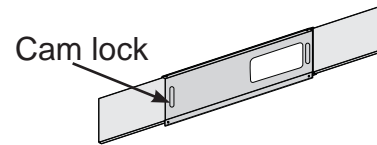
2. Install Exhaust Hose Assembly to Back of Unit

Install the exhaust hose assembly by screwing the hose counterclockwise into the exhaust port on the back of the Air Conditioner.

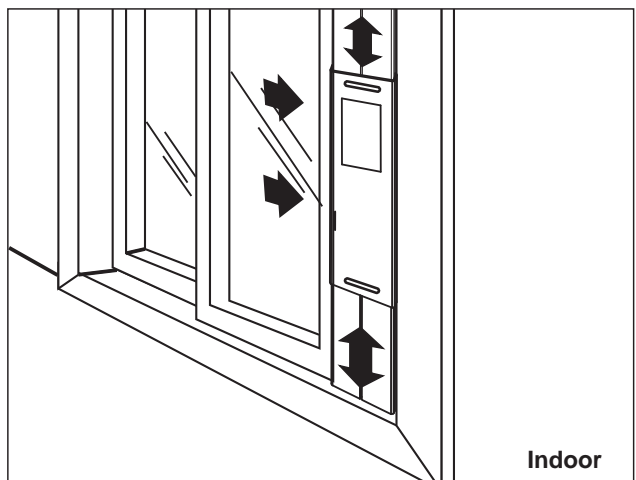
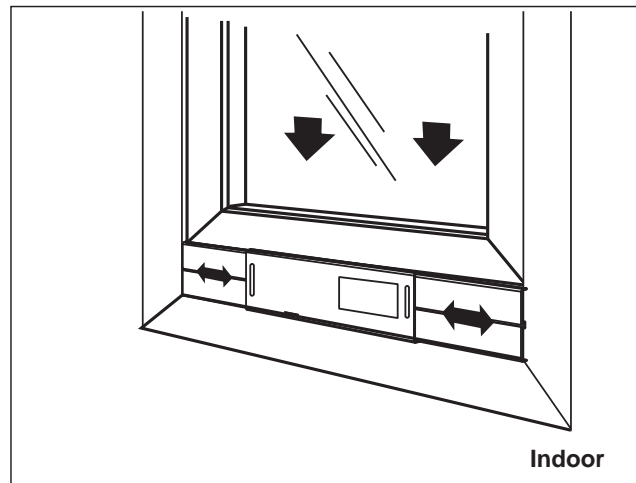


3. INSTALL WINDOW PANELS

- A. Measure the window opening. For a 20" opening, use just the middle panel of the Window Kit with the opening for the Exhaust Hose Adapter. For openings from 20" to 33", insert one side panel to the middle panel, for openings from 33" to 46", insert both side panels.



- B. Place the Window Kit into the window opening (the Cam Locks should be towards you) and slide the side panels (if being used) outward to fill the opening. Lock the panels in place with the Cam Locks. Slide the window shut against the Window Kit.

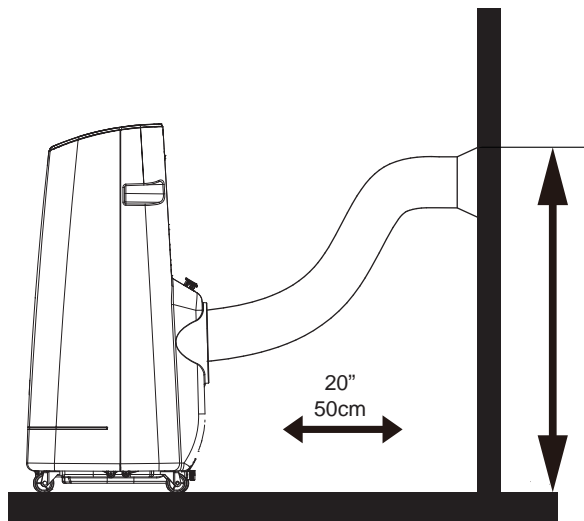
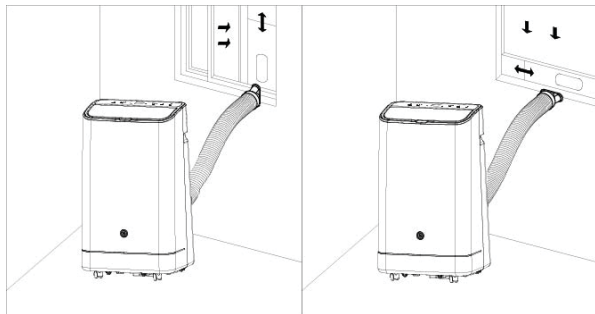


Installation Instructions

4. Connect Exhaust Hose to the Window Panel

Place the Air Conditioner 20" (55.88 cm) from the wall and any other obstructions. Extend the hose so that it reaches the Window Kit. Insert the Exhaust Hose Adapter into the opening in the Window Kit and slide it into the locking position. Ensure that the hose runs straight to the window with no excess extension. Use the small screw to attach the exhaust hose assembly to the window sealing plate assembly.

Important: The Air Conditioner must be vented to the outside. Do not use a longer hose or extend the hose included with the Air Conditioner or the unit will not cool properly and will overheat.



5. COMPLETE INSTALLATION

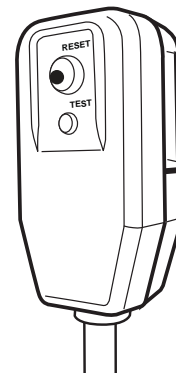
⚠ WARNING



Electrical Shock Hazard

Plug into a grounded 3 prong outlet.
 Do not remove the ground prong from the power cord plug.
 Do not use an adapter.
 Do not use an extension cord.
 Failure to do so can result in death, fire or electrical shock.

1. Plug the power cord into a grounded 3 prong outlet.
2. Press the Reset button on the plug to ensure the safety plug is providing power to the Air Conditioner.
3. When removing the Air Conditioner, be sure to remove the Window Kit.



Troubleshooting Tips

Problem	Possible Causes	Solution
Unit does not start or operate	Power supply cord is not plugged into an outlet.	Plug the power cord into a grounded 3 prong outlet.
	Power supply cord has tripped.	Press and release the RESET button on the power supply cord.
	The Power button has not been pressed.	Press the Power button on the Control Panel or Remote Control to turn ON the air conditioner.
	There is no power to the electrical outlet.	Plug a working lamp into the outlet to check for power.
	A household fuse has blown or a circuit breaker has tripped.	Replace the fuse or reset the circuit breaker.
	The control was programmed for a Time Delay.	Cancel the Time Delay. See "Control Panel."
	The batteries in the remote control are dead.	Replace the batteries.
	The internal water tank is full. NOTE: The air conditioner automatically turns off, and the Water Full indicator illuminates to alert you of this condition.	Empty the water tank. See "Air Conditioner Care."
Remote control is not working	Batteries are dead.	Replace the batteries.
	Batteries are installed incorrectly.	Make sure the batteries are inserted in the correct position.
Air conditioner is working but the room is not cooling.	The room temperature is hot. NOTE: On extremely hot and humid days, the air conditioner will take longer to cool the room.	Allow time for the room to cool when you first turn on the unit. Make sure the air conditioner has an adequate BTU rating for the size of the room being cooled.
	The control is set incorrectly to Fan or Dehum mode.	Set the Mode to Cool and the Fan Speed to High.
	Airflow is restricted.	Remove any obstacles to the airflow and redirect airflow for uniform cooling.
	Temperature set too high.	Lower the set temperature.
	Air filters are dirty or restricted.	Clean the air filter. See "Air Conditioner Care."
	Air conditioner installed incorrectly	Check the exhaust hose and window panel for proper installation.
	Doors and windows are open.	Close the doors and windows to the room being cooled to prevent cooled air from escaping.

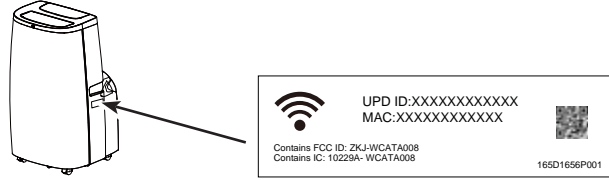
Error Codes

Code	Meaning
E1	The hose temperature sensor is abnormal
E2	The room temperature sensor is abnormal
E4	Anti-freeze protection
FL	Full-water

WiFi Setup (on some models)

GE Appliances WiFi Connect (for customers in the United States)

GE Appliances U+ Connect Enabled* If your Air Conditioner (AC) has a Connected Appliance Information label located on the outside as shown below, your AC is **GE Appliances U+ Connect Enabled**. A WiFi communication card is built into the product allowing it to communicate with your smart phone for remote monitoring, control and notifications. Please visit GEAppliances.com/connect to learn more about connected appliance features, and to learn what connected appliance apps will work with your smart phone. For assistance, call **1-800-220-6899**.



How it Works

Download the GE Appliances app



Use the app to connect your room air conditioner to WiFi



Once connected, use the app to turn down your air conditioner as you leave work.



Getting Started

To connect your room air conditioner, you'll need the GE Appliances app. The app will walk you through the connection process. Download the app from iTunes or Google Play.



All connected appliance data is held in strict accordance with the GE Appliances Connected Data Privacy Policy. Visit geappliances.com/privacy/privacy_policy_connected to view this policy.

Questions about U+ Connect

Get answers you need about setting up WiFi appliances and connecting to your home network in our support articles.

Visit products.geappliances.com/appliance/gea-support-search-content to view wifi connect room air conditioner support articles.

REGULATORY INFORMATION

FCC/IC Compliance Statement:

This device complies with Part 15 of the FCC Rules. Operation is subject to the following two conditions:

1. This device may not cause harmful interference.
2. This device must accept any interference received, including interference that may cause undesired operation.

This equipment has been tested and found to comply with the limits for a Class B digital device, pursuant to Part 15 of the FCC Rules. These limits are designed to provide reasonable protection against harmful interference in a residential installation. This equipment generates uses and can radiate radio frequency energy and, if not installed and used in accordance with the instructions, may cause harmful interference to radio communications. However, there is no guarantee that interference will not occur in a particular installation. If this equipment does cause harmful interference to radio or television reception, which can be determined by turning the equipment off and on, the user is encouraged to try to correct the interference by one or more of the following measures:

- Reorient or relocate the receiving antenna.
- Increase the separation between the equipment and receiver.
- Connect the equipment into an outlet on a circuit different from that to which the receiver is connected.
- Consult the dealer or an experienced radio/television technician for help.

Labelling: Changes or modifications to this unit not expressly approved by the manufacturer could void the user's authority to operate the equipment.

***Select Models Only**

This product has WiFi capability and requires Internet connectivity and a wireless router to enable interconnection with an Energy Management System, and/or with other external devices, systems or applications. Use of the Works with Apple HomeKit™ logo means that an electronic accessory has been designed to connect specifically to iPod touch®, iPhone®, or iPad®, respectively, and has been certified by the developer to meet Apple® performance standards. Apple is not responsible for the operation of this device or its compliance with safety and regulatory standards.

Limited Warranty

For The Period Of:	Will Replace:
One Year From the date of the original purchase	Replacement, repair, or refund of the original retail price for any product which fails due to a defect in materials or workmanship. If the unit is exchanged, the replacement unit is warranted for the remainder of your product's original one-year warranty period. GE Appliances will, at its sole discretion, replace the product with a product of the same or comparable functionality and quality or refund the original retail price.

In Order to Make a Warranty Claim During the First 90 Days from the Date of Original Purchase:

- Properly pack your unit. We recommend using the original carton and packing materials.
- Return the product to the retail location where it was purchased.
- Include in the package a copy of the sales receipt or other evidence of date of original purchase. Also print your name and address and a description of the defect.

In Order to Make a Warranty Claim During the Remainder of the One-Year Warranty:

- Locate your original sales receipt and make a note of your model and serial number.
- Call 866.907.1655 (in the United States) to initiate the product replacement process.
- You will be asked to provide your name, address, date of purchase, model and serial number.
- GE Appliances will arrange for a carton to be sent to your home to recover the product.
- Please return all requested materials (postage pre-paid) in the carton provided. Please include a description of the defect.
- You should receive your replacement product or refund within 7 to 10 business days after your package is received.

What Will Not Cover:

- Customer instruction. This owner's manual provides information regarding operating instructions and user controls.
- Improper installation. If you have an installation problem, or if the air conditioner is of improper capacity, contact your dealer or installer. You are responsible for providing adequate electrical connecting facilities.
- Failure of the product resulting from modifications to the product or due to unreasonable use including failure to provide reasonable and necessary maintenance.
- Replacement of house fuses or resetting of circuit breakers.
- Failure due to corrosion on models not corrosion-protected.
- Damage to the product caused by improper power supply voltage, accident, fire, floods or acts of God.
- Incidental or consequential damage caused by possible defects with this air conditioner.
- Damage caused after delivery.

EXCLUSION OF IMPLIED WARRANTIES - Your sole and exclusive remedy is product repair as provided in this Limited Warranty. Any implied warranties, including the implied warranties of merchantability or fitness for a particular purpose, are limited to one year or the shortest period allowed by law.

For US Customers: This limited warranty is extended to the original purchaser and any succeeding owner for products purchased for home use within the USA. If the product is located in an area where service by a GE Appliances Authorized Servicer is not available, you may be responsible for a trip charge or you may be required to bring the product to an Authorized GE Appliances Service location for service. In Alaska, the limited warranty excludes the cost of shipping or service calls to your home.

Some states do not allow the exclusion or limitation of incidental or consequential damages. This limited warranty gives you specific legal rights, and you may also have other rights which vary from state to state. To know what your legal rights are, consult your local or state consumer affairs office or your state's Attorney General.

Warrantor US:
GE Appliances, a Haier company
 Louisville, KY 40225

Staple your receipt here. Proof of the original purchase date is needed to obtain service under the warranty.

Consumer Support

GE Appliances Website

Have a question or need assistance with your appliance? Try the GE Appliances Website 24 hours a day, any day of the year! You can also shop for more great GE Appliances products and take advantage of all our on-line support services designed for your convenience. In the US: **GEAppliances.com**

Register Your Appliance

Register your new appliance on-line at your convenience! Timely product registration will allow for enhanced communication and prompt service under the terms of your warranty, should the need arise. You may also mail in the pre-printed registration card included in the packing material. In the US: **GEAppliances.com/register**

Schedule Service

Expert GE Appliances repair service is only one step away from your door. Get on-line and schedule your service at your convenience any day of the year. In the US: **GEAppliances.com/service** or call 800.432.2737 during normal business hours.

Extended Warranties

Purchase a GE Appliances extended warranty and learn about special discounts that are available while your warranty is still in effect. You can purchase it on-line anytime. GE Appliances Services will still be there after your warranty expires. In the US: **GEAppliances.com/extended-warranty** or call 800.626.2224 during normal business hours.

Remote Connectivity

For assistance with wireless network connectivity (for models with remote enable), visit our website at **GEAppliances.com/connect** or call 800.220.6899 in the US.

Parts and Accessories

Individuals qualified to service their own appliances can have parts or accessories sent directly to their homes (VISA, MasterCard and Discover cards are accepted). Order on-line today 24 hours every day. In the US: **GEApplianceparts.com** or by phone at 877.959.8688 during normal business hours.

Instructions contained in this manual cover procedures to be performed by any user. Other servicing generally should be referred to qualified service personnel. Caution must be exercised, since improper servicing may cause unsafe operation.

Contact Us

If you are not satisfied with the service you receive from GE Appliances, contact us on our Website with all the details including your phone number, or write to:

In the US: General Manager, Customer Relations | GE Appliances, Appliance Park | Louisville, KY 40225
GEAppliances.com/contact



Portable Room CLIMATISEUR

CONSIGNES DE SÉCURITÉ ... 3

CONSIGNES D'UTILISATION ... 4

ENTRETIEN ET NETTOYAGE..... 7

INSTRUCTIONS D'INSTALLATION 9

DES CONSEILS DE DÉPANNAGE 13

CONFIGURATION DU WI-FI 14

GARANTIE15

SOUTIEN AUX CONSOMMATEURS16

MANUEL D'UTILISATION ET INSTRUCTIONS D'INSTALLATION

APCA10
APWA11

Avant de commencer (certains modèles)

Enregistrez le numéro de module GE et le mot de passe pour configurer le Wi-Fi. Pour trouver ces renseignements, voyez les page 14.

Numéro de module GE _____

Mot de passe _____

Inscrivez ici les numéros de modèle et de série :

de modèle _____

de Série _____

Vous trouverez ces numéros sur l'étiquette apposée sur le côté du climatiseur.

NOUS VOUS REMERCIONS D'INTÉGRER GE APPLIANCES À VOTRE DEMEURE

Que vous ayez grandi avec des électroménagers GE Appliances ou qu'il s'agisse de votre première acquisition, nous sommes heureux de vous accueillir dans notre famille.

Nous sommes fiers du savoir-faire, de l'innovation et du design qui constituent chaque électroménager GE, et nous pensons que vous le serez aussi. Nous vous rappelons que l'enregistrement de votre électroménager vous assure de recevoir des renseignements importants sur le produit et la garantie lorsque vous en avez besoin.

Enregistrez votre électroménager GE en ligne dès maintenant. Des sites Web et des numéros de téléphone utiles figurent dans la section Soutien au consommateur de ce manuel d'utilisation. Vous pouvez également envoyer par courrier la carte d'enregistrement pré-imprimée qui se trouve dans l'emballage de votre appareil.



GE APPLIANCES

CONSIGNES DE SÉCURITÉ IMPORTANTES

LISEZ TOUTES LES INSTRUCTIONS AVANT D'UTILISER L'APPAREIL

INSTRUCTIONS DE SÉCURITÉ IMPORTANTES

⚠ WARNING

Afin de réduire le risque d'incendie, de choc électrique, de blessures corporelles ou de dommage lors de l'utilisation du climatiseur, observez des précautions élémentaires dont les suivantes :

- Lisez toutes les instructions avant d'utiliser cet appareil.
- Branchez l'appareil dans une prise à 3 trous avec mise à la terre.
- Ne retirez pas la broche de mise à la terre.
- N'utilisez pas un adaptateur.
- N'utilisez pas un cordon de rallonge.
- N'utilisez pas le climatiseur si son cordon ou sa fiche sont endommagés, s'il ne fonctionne pas correctement ou s'il a été échappé ou endommagé autrement.
- GE Appliances ne prend pas en charge l'entretien et la réparation du climatiseur. Reportez-vous aux renseignements de la garantie pour les options de remboursement ou d'échange.

- Coupez l'alimentation électrique avant une réparation ou un entretien.

- Coupez l'alimentation électrique avant le nettoyage

REMARQUE : Mettre l'appareil hors tension en appuyant sur le bouton Power (marche-arrêt) NE coupe PAS l'alimentation électrique à l'appareil.

- N'installez pas et n'utilisez pas le climatiseur dans une zone où l'atmosphère contient des gaz combustibles ou est contaminée. Évitez de mettre un produit chimique en contact avec votre climatiseur.
- Ne rangez aucune objet directement sur le dessus du climatiseur.
- Utilisez deux personnes ou plus pour déplacer ou installer le climatiseur.
- Ne faites pas fonctionner le climatiseur sans que le filtre ne soit en place.
- N'utilisez pas le climatiseur près d'une baignoire, d'une douche, d'un lavabo ou d'un autre endroit mouillé.

WARNING

Risque d'incendie ou d'explosion. Cet appareil contient un réfrigérant inflammable. Des mesures de sécurité supplémentaires doivent être observées.



- N'utilisez pas de moyens visant à accélérer le dégivrage ou le nettoyage autres que ceux recommandés par le fabricant.
- Le produit doit être entreposé dans une pièce exempte de sources d'allumage qui fonctionnent sans interruption (par exemple : flammes nues, appareil d'utilisation du gaz ou radiateur électrique en fonctionnement).
- Abstenez-vous de percer ou de brûler la tubulure de réfrigérant. Sachez que les réfrigérants peuvent être inodores.
- Gardez les orifices de ventilation libres de toute obstruction.
- Lors de la manipulation, de l'installation et de l'utilisation de cet appareil, prenez soin de ne pas endommager la tubulure de réfrigérant.

- Ne percez pas de trou dans le climatiseur.
- L'entretien, le nettoyage et les réparations doivent être effectués uniquement par des techniciens adéquatement formés pour manipuler des réfrigérants inflammables.
- GE Appliances ne prend pas en charge l'entretien ou la réparation du climatiseur.
- Mettez le climatiseur au rebut conformément aux réglementations fédérale et locale. Les réfrigérants inflammables exigent des procédures de mise au rebut spéciales. Communiquez avec les autorités locales compétentes pour vous départir de votre climatiseur d'une manière qui soit sans danger pour l'environnement.

⚠ WARNING

Insertion des piles dans la télécommande

- Retirez le couvercle des piles en le glissant dans le sens de la flèche.
- Insérez les nouvelles piles en vous assurant que leurs pôles (+) et (-) sont placés correctement
- Réinstallez le couvercle en le glissant à sa position initiale.

REMARQUES :

- Utilisez 2 piles alcalines « AAA » (1,5 volt). N'utilisez pas des piles rechargeables.
- Retirez les piles de la télécommande si le système restera inutilisé durant une longue période de temps.
- Ne mélangez pas une nouvelle pile avec une ancienne. Ne mélangez pas des piles alcalines avec des piles standard (carbone-zinc) ou rechargeables (ni-cad, ni-mh, etc.).

⚠ WARNING

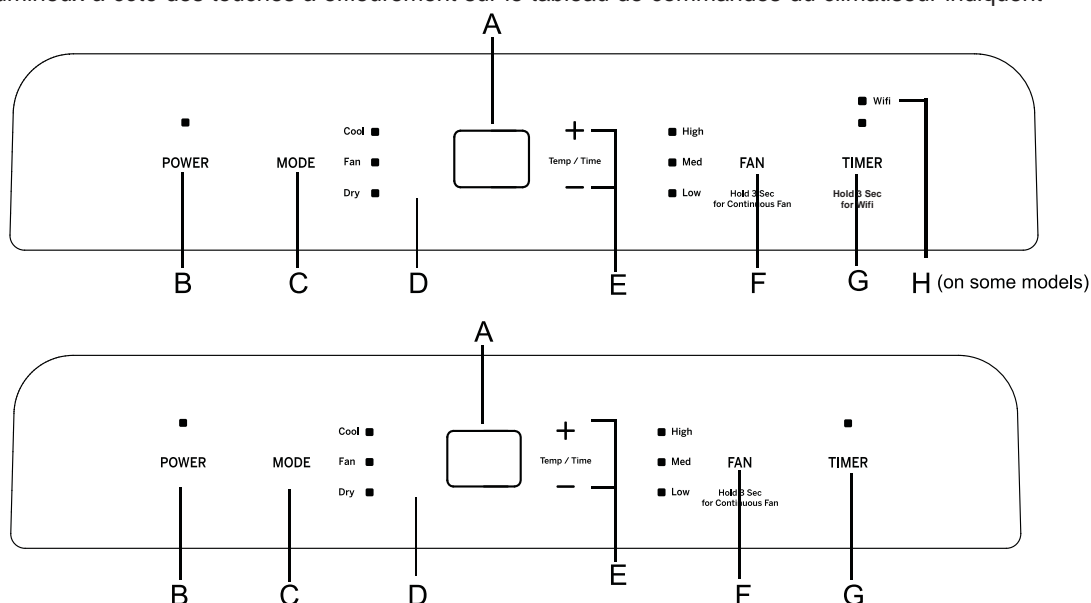
Danger en cas d'ingestion. Une pile peut causer un étouffement si elle est ingérée par un enfant.

LISEZ ET CONSERVEZ CES INSTRUCTIONS

Contrôles

Les fonctions et l'aspect peuvent varier.

Les témoins lumineux à côté des touches à effleurement sur le tableau de commandes du climatiseur indiquent



Commandes

A. ÉCRAN DU PANNEAU DE COMMANDE

Affiche le réglage de la température en degrés Fahrenheit. Le témoin lumineux correspondant va s'allumer.

B. Bouton marche/arrêt (Power)

Met le climatiseur sous ou hors tension.

REMARQUE : Mettre l'appareil hors tension en appuyant sur le bouton Power (marche-arrêt) NE coupe PAS l'alimentation électrique à l'appareil.

- Pressez le bouton Power. Le témoin lumineux Power va s'allumer.

C. Bouton des modes

Pressez le bouton Mode pour défiler parmi les options de fonctionnement. Le témoin lumineux correspondant va s'allumer :

Cool – Refroidit la pièce à la température du réglage.

Dry – Réduit l'humidité dans la pièce.

Fan – Fait circuler l'air dans la pièce sans refroidissement.

D. Fenêtre de réception du signal de la télécommande

Orientez la télécommande vers cette fenêtre afin que le panneau de commande reçoive le signal.

E. Boutons plus (+) et moins (-)

Règlent la température, ou les heures du délai programmé avec la minuterie.

Pour régler la température :

Vous pouvez régler la température entre 64°F et 86°F (18°C et 30°C) lorsque le climatiseur est mode de refroidissement.

1. Pressez le bouton Mode jusqu'à sélectionner le mode Cool.
2. Pressez les boutons (+) ou (-) pour sélectionner la température.

REMARQUE : Vous ne pouvez pas régler la température lorsque le climatiseur se trouve dans le mode Fan ou Dry.

F. Bouton de vitesse du ventilateur

Vous pouvez régler le ventilateur à basse (Low), moyenne (Medium) ou haute (High) vitesse lorsque le climatiseur se trouve dans le mode Cool ou Fan.

REMARQUE : Vous ne pouvez pas régler la vitesse du ventilateur lorsque le climatiseur se trouve dans le mode Dry.

- Pressez le bouton Fan pour faire défiler les trois vitesses. Le témoin lumineux de la vitesse correspondante va s'allumer.

1. Mode de ventilateur continu

Pour activer le mode ventilateur continu, maintenez enfoncé le bouton Fan Speed pendant 3 secondes. "C1" affichera à l'écran pour le mode de ventilation continue. Lorsque la température réglée est atteinte, le ventilateur intérieur continue de fonctionner en mode Refroidissement. (En mode chauffage et séchage, le ventilateur continuera de s'arrêter avec le compresseur.) Pour annuler le mode ventilateur continu, maintenez enfoncé le bouton Fan Speed pendant 3 secondes. "C2" affichera à l'écran.

REMARQUE : L'activation et l'annulation du mode ventilateur continu ne peuvent être effectuées que lorsque l'unité est éteinte ou en mode refroidissement. Cette fonction ne peut pas être sélectionnée dans d'autres modes.

G. Bouton de la minuterie (Timer)

Permet de programmer un délai (de 1 à 24 heures) pour démarrer ou arrêter le climatiseur. Lorsqu'un délai est programmé, le témoin lumineux de la minuterie va s'allumer. Alors que le climatiseur fonctionne :

1. Pressez le bouton Timer.
2. Pressez les boutons (+) ou (-) pour sélectionner le nombre d'heures durant lequel le climatiseur doit continuer à fonctionner avant de s'éteindre.

REMARQUE : Attendez environ 5 secondes pour sauvegarder le délai.

Alors que le climatiseur est en arrêt :

1. Appuyez sur le bouton Timer.
2. Pressez les boutons (+) ou (-) pour sélectionner le nombre d'heures durant lequel le climatiseur doit rester en arrêt avant de se mettre en marche.

REMARQUE : Attendez environ 5 secondes pour sauvegarder le délai.

Pour annuler la minuterie :

- Pressez le bouton Timer une fois, les heures qui restent vont clignoter, pressez le bouton Timer de nouveau et la minuterie sera annulée.

H. Touche de connexion Wi-Fi (certains modèles)

1. Pressez le bouton Timer durant 3 secondes pour connecter ou déconnecter l'application.
2. Connectez votre climatiseur au routeur Wi-Fi. Reportez-vous à la section « Configuration du Wi-Fi » pour des précisions.

Contrôles

Le réglage de la température de consigne est affiché lorsque ce climatiseur fonctionne.

Mode de refroidissement (Cool)

Utilisez le mode COOL pour refroidir la pièce.

Pour régler le mode COOL :

1. Pressez la touche MODE jusqu'à ce que le témoin lumineux COOL s'allume.
2. Pressez la touche FAN pour régler la vitesse du ventilateur à HIGH, MEDIUM ou LOW.
3. Appuyez sur (+) ou (-) pour régler la température désirée entre 64°F et 86°F par sauts de 1°F.

Une fois les réglages terminés, l'écran ne retournera pas à l'affichage de la température ambiante.

La commande de température est utilisée pour maintenir la température ambiante. Le compresseur va s'allumer et s'éteindre en alternance pour maintenir la pièce au niveau de confort que vous avez réglé. Réglez la commande de température à une valeur plus basse et l'air intérieur deviendra plus froid. Réglez la commande de température à une valeur

plus haute et l'air intérieur deviendra plus chaud.

REMARQUE : Si le climatiseur est éteint et qu'il est allumé alors qu'il est réglé à COOL, il faudra environ 3 minutes pour démarrer le compresseur et le refroidissement.

Réglage du refroidissement

Pour un refroidissement normal — Sélectionnez le mode COOL et la vitesse de ventilateur HIGH, MEDIUM ou LOW avec un réglage de température moyen.

Pour un refroidissement maximal — Sélectionnez le mode COOL et la vitesse de ventilateur HIGH avec un réglage de température bas.

Pour un refroidissement plus silencieux et de nuit — Sélectionnez le mode COOL et la vitesse de ventilateur LOW avec un réglage de température moyen.

REMARQUE : Si vous passez du mode COOL ou DRY à la mise en arrêt (OFF), attendez 3 minutes avant de redémarrer.

Mode DRY — Déshumidification

Utilisez le mode DRY pour la déshumidification seulement. Avec ce mode, le ventilateur tourne à une vitesse fixe qu'il est impossible de modifier. Gardez les fenêtres et les portes fermées pour une déshumidification plus efficace.

Pour régler le mode DRY :

- Pressez la touche MODE jusqu'à ce que le témoin lumineux DRY s'allume.

Dans le mode DRY, le réglage de température n'est pas affiché. Une fois le mode DRY réglé, l'écran retournera à l'affichage de la température ambiante.

REMARQUE : Si vous passez de DRY à OFF ou à FAN, attendez au moins 3 minutes avant de revenir à DRY.

Si vous utilisez le climatiseur dans le mode DRY comme déshumidificateur durant une longue période de temps :

1. Débranchez le cordon d'alimentation électrique.
2. Raccordez un tuyau d'évacuation flexible ayant un diamètre de 1/2 po (13 mm) extérieur à l'orifice de fuite supérieur et videz vers le drain de sol.
3. Rebranchez le cordon d'alimentation et pressez MODE jusqu'à ce que le témoin lumineux DRY s'allume.

Mode FAN (ventilateur)

Utilisez le mode FAN pour faire circuler et filtrer l'air sans refroidissement.

Pour régler le mode FAN :

- Pressez la touche FAN jusqu'à ce que le témoin lumineux de la vitesse de votre choix (HIGH, MEDIUM ou LOW) s'allume. Étant donné qu'un réglage de

ventilateur seul ne génère pas de refroidissement, le réglage de température ne sera pas affiché. Une fois la vitesse de ventilateur réglée, l'écran retournera à l'affichage de la température ambiante. Il n'est pas nécessaire d'installer le tuyau d'évacuation et la trousse de fenêtre lorsqu'on fonctionne en mode FAN.

Fonction de récupération suivant une panne de courant

En cas de panne de courant ou d'interruption, le climatiseur va redémarrer automatiquement dans les réglages utilisés en dernier avant le rétablissement du courant.

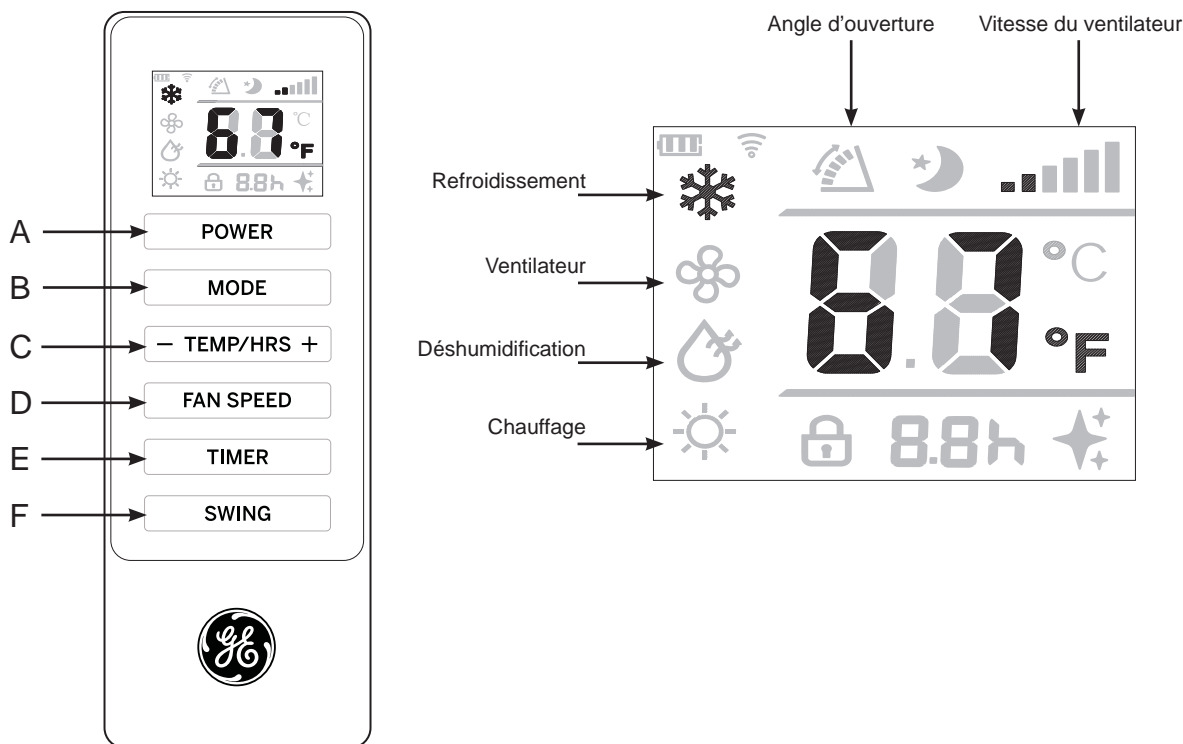
REMARQUE : Si la minuterie a été réglée avant la panne de courant, elle devra être réglée de nouveau une fois le courant rétabli.

REMARQUE : Note: la lecture par défaut de la température sur l'écran est Fahrenheit (°F). Changer l'affichage en degrés. En degrés Celsius (°C), appuyez simultanément sur les boutons - poussoirs augmentation + et diminution de température. Répéter le processus la retour température à Fahrenheit (°F).

Contrôles

Les fonctions et l'apparence peuvent varier.

Les icônes sur le panneau de commande indiquent les réglages sélectionnés.



TÉLÉCOMMANDE

1. Insérez les deux piles (fournies).
2. Orientez la télécommande vers le récepteur de signal sur le panneau de commande pour commander le climatiseur.

A. Power (mise en marche/arrêt)

Met le climatiseur sous (ON) ou hors (OFF) tension.

REMARQUE : Mettre l'appareil hors tension (OFF) en appuyant sur le bouton Power NE coupe PAS l'alimentation électrique au climatiseur.

- Pressez le bouton Power. Le témoin lumineux Power va s'allumer.

B. Mode

Pressez le bouton Mode pour défiler parmi les options de fonctionnement. Le témoin lumineux correspondant va s'allumer :

- Chauffage (Heat) (certains modèles) - Chauffe la pièce à la température du réglage
- Refroidissement (Cool) – Refroidit la pièce à la température du réglage.
- Déshumidification (Dry) – Réduit l'humidité dans la pièce.
- Ventilateur (Fan) – Fait circuler l'air dans la pièce sans refroidissement

C. Temp/Hrs (température/minuterie)

Règle la température, ou les heures du délai programmé avec la minuterie.

Pour régler la température :

Vous pouvez régler la température entre 64°F et 86°F (18°C et 30°C) lorsque le climatiseur est mode de refroidissement.

1. Pressez le bouton Mode jusqu'à sélectionner le mode Cool.

2. Pressez les boutons (+) ou (-) pour sélectionner la température.

REMARQUE : Vous ne pouvez pas régler la température lorsque le climatiseur se trouve dans le mode Fan ou Dry.

D. Fan Speed (vitesse du ventilateur)

Vous pouvez régler le ventilateur à basse (Low), moyenne (Medium) ou haute (High) vitesse lorsque le climatiseur fonctionne.

REMARQUE : Vous ne pouvez pas régler la vitesse du ventilateur lorsque le climatiseur est dans le mode DRY.

- Pressez le bouton Fan Speed pour faire défiler les trois vitesses du ventilateur. Le témoin lumineux de la vitesse correspondante va s'allumer.

E. Timer (minuterie)

Permet de programmer un délai (de 1 à 24 heures) pour démarrer ou arrêter le climatiseur. Lorsqu'un délai est programmé, le témoin lumineux de la minuterie va s'allumer.

F. Swing Button

Les événements de votre climatiseur portable s'ouvrent automatiquement (ne tentez pas de forcer leur ouverture ou leur fermeture).

Utilisez le bouton Swing sur votre télécommande pour régler l'angle d'ouverture des événements, ou pour faire pivoter les événements de haut en bas en continu.

Entretien et nettoyage

NETTOYAGE

⚠ AVERTISSEMENT



Risque de choc électrique

Débranchez le cordon d'alimentation avant le nettoyage.

L'omission de prendre ces précautions peut occasionner un choc électrique ou la mort.

1. Débranchez ou coupez l'alimentation électrique.
2. Utilisez un linge doux imbibé d'eau pour nettoyer la carrosserie.

REMARQUE :

- N'utilisez pas un nettoyant liquide ou en aérosol pour nettoyer le climatiseur.
 - N'utilisez pas de produits chimiques ou abrasifs, d'ammoniac, de javellisant au chlore, de détergents concentrés, de solvants ni de tampons à récurer. Certains de ces produits peuvent endommager ou décolorer votre climatiseur.
3. Séchez le climatiseur à fond avec un linge doux.
 4. Rebranchez le climatiseur ou rétablissez l'alimentation électrique.

FILTRE À AIR

Les filtres à air doivent être nettoyés au moins toutes les deux semaines pour que l'appareil fonctionne à son efficacité maximale.

⚠ CAUTION

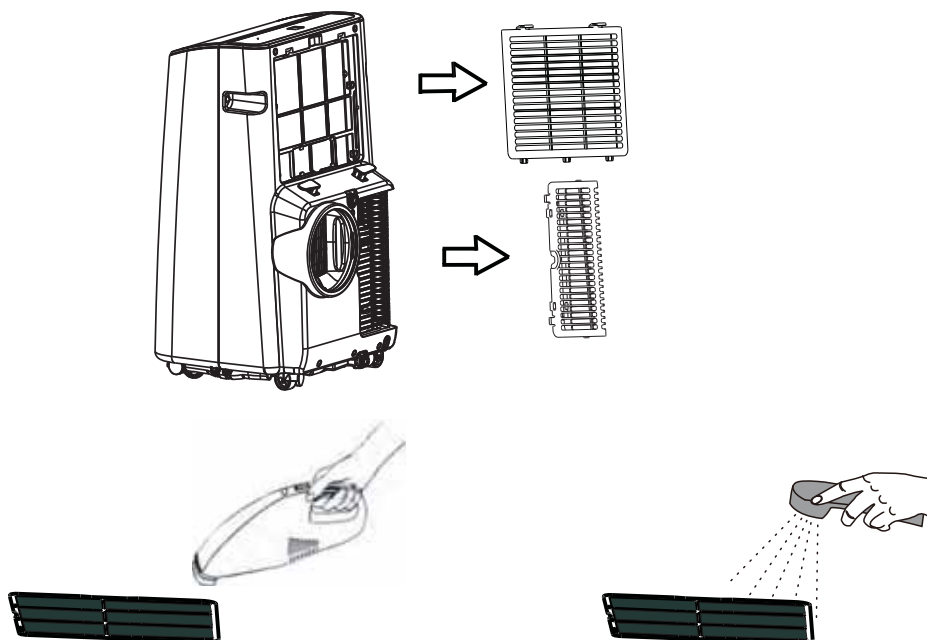
NE faites PAS fonctionner le climatiseur sans le filtre sous peine de le boucher avec de la poussière et de la charpie et de réduire son efficacité.

Pour retirer :

1. Débranchez ou coupez l'alimentation électrique.
2. Tirez pour retirer le panneau du filtre supérieur.
3. Pour nettoyer les filtres à air, lavez-les ou passez l'aspirateur.

REMARQUE : Si vous lavez les filtres, secouez-les délicatement pour retirer le surplus d'eau et les particules de poussière emprisonnées.

4. Réinstallez les filtres.
5. Rebranchez le climatiseur ou rétablissez l'alimentation électrique



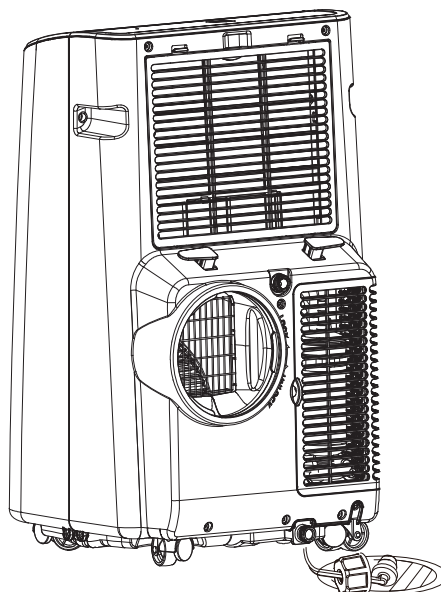
Entretien et nettoyage

Réservoir d'eau interne

L'indicateur de plein d'eau (« FL » sur l'écran du panneau de commande) s'allume lorsque le réservoir d'eau interne s'est rempli d'eau de condensation.

Pour vider le réservoir d'eau interne :

1. Débranchez ou coupez l'alimentation électrique.
2. Placez un bac peu profond d'une capacité d'un litre ou plus (non inclus) en dessous de l'orifice d'évacuation inférieure située sur l'arrière (près du bas) du climatiseur.
3. Retirez le capuchon et le bouchon en caoutchouc et videz le réservoir d'eau.
4. Réinsérez le bouchon d'évacuation et vissez bien le capuchon.
5. Rebranchez le climatiseur ou rétablissez l'alimentation électrique.



Entreposage

Si le climatiseur n'est pas utilisé durant une longue période :

Pour vider le réservoir d'eau interne :

1. Débranchez ou coupez l'alimentation électrique.
2. Évacuez l'eau du réservoir. (Voyez la section Réservoir d'eau interne ci-dessus.)
3. Utilisez l'emballage d'origine pour remballer l'appareil afin de prévenir l'accumulation de poussière et de saletés.
4. Rangez le climatiseur dans un endroit frais et sec.

Comment Insérer les Piles dans la Télécommande

1. Retirez le couvercle du logement des piles en le faisant glisser dans le sens indiqué par la flèche.
2. Insérez les nouvelles piles en vous assurant que les pôles (+) et (-) de la pile sont orientés dans la bonne direction.
3. Remettez le couvercle en le faisant glisser.

REMARQUES :

- n Utilisez 2 piles alcalines AAA d'1,5 Volt. N'utilisez pas de piles rechargeables.
- n Retirez les piles de la télécommande si vous prévoyez de ne pas utiliser votre climatiseur pendant un certain temps.
- n Ne mélangez pas des piles neuves avec des piles usées. Ne mélangez pas ensemble les piles alcalines, standard (carbone-zinc) ou rechargeables (ni-cad, ni-mh, etc).

Instructions d'installation

Questions? Call GE Appliances at 800.GE.CARES (800.432.2737) or visit our Website at: GEAppliances.com.
In Canada, call 1.800.561.3344 or visit our Website at: www.GEAppliances.ca

AVANT DE COMMENCER

Lisez ces instructions entièrement et attentivement.

- **IMPORTANT** — Conservez ces instructions pour l'inspecteur électrique local.
- **IMPORTANT** — Respectez tous les codes et règlements en vigueur.
- **Remarque pour l'installateur** – Assurez-vous de remettre ces instructions au client.
- **Remarque pour le client** – Conservez ces instructions pour toute référence future.
- **Niveau de compétence** – L'installation de cet appareil demande des connaissances de base en mécanique.
- **Délai d'exécution** – Environ 1 heure
- Nous recommandons que l'installation de ce produit soit effectuée par deux personnes.
- L'installateur est responsable de l'installation correcte de l'appareil.
- La panne de l'appareil due à une mauvaise installation n'est pas couverte par la garantie.
- Vous DEVEZ utiliser toutes les pièces fournies et suivre la procédure d'installation du climatiseur décrite dans cette notice.

EXIGENCES ÉLECTRIQUES

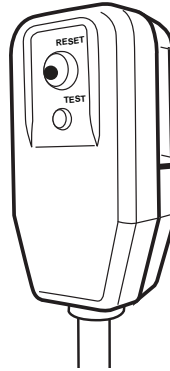


Certains modèles exigent une prise électrique mise à la terre de 115/120 volts c.a., 60 Hz protégée par un fusible temporisé de 15 ampères ou un disjoncteur.

La fiche à 3 broches avec mise à la terre réduit le risque de choc électrique. Si vous disposez seulement d'une prise murale à 2 trous, vous avez la responsabilité de la faire remplacer par une prise à 3 trous correctement mise à la terre.

CAUTION

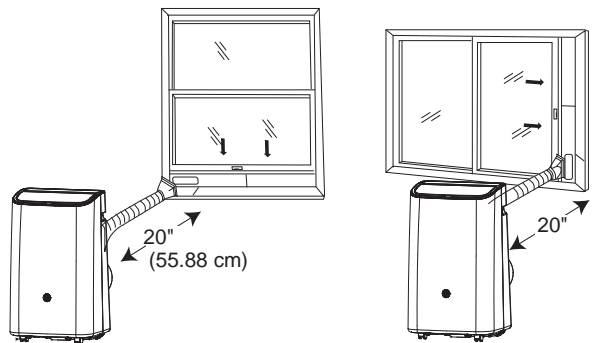
- Ne coupez pas ou n'enlevez pas, sous aucun prétexte, la troisième broche de mise à la terre du cordon d'alimentation.
- Ne changez pas la fiche du cordon d'alimentation du climatiseur.
- Un câblage en aluminium du domicile peut occasionner des problèmes particuliers—consultez un électricien qualifié.



Le cordon d'alimentation est doté d'un dispositif d'interruption du courant. Un bouton de test et un bouton de réenclenchement est fourni sur le boîtier de la fiche. Ce dispositif doit être testé régulièrement en pressant d'abord le bouton TEST suivi du bouton RESET tandis que la fiche est branchée dans la prise de courant. Si le bouton TEST ne se déclenche pas ou si le bouton RESET ne reste pas enclenché, cessez l'utilisation du climatiseur et appelez un technicien en réparation qualifié.

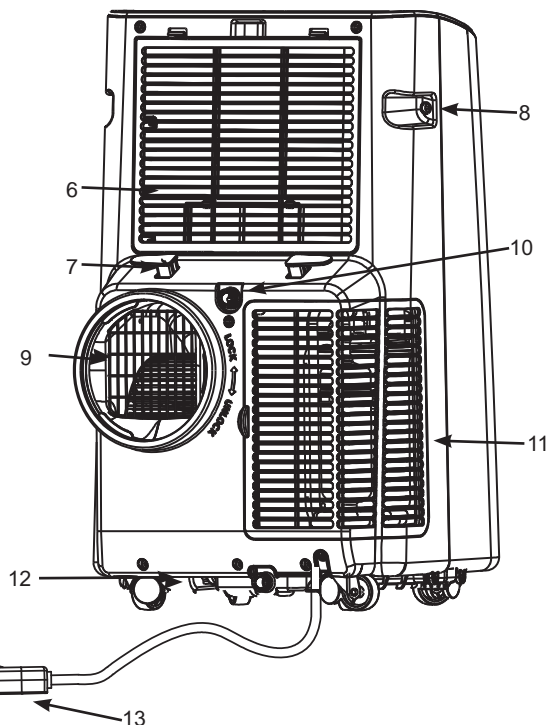
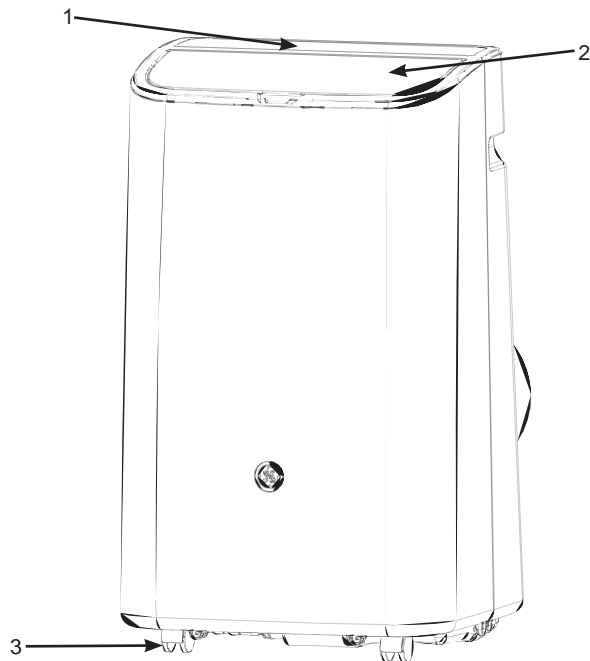
Exigences relatives à l'emplacement

- Placez le climatiseur à un emplacement dont la surface est plate et de niveau et situé à 30 po (76,2 cm) minimum de tous les murs.
- Gardez le climatiseur libre d'obstructions telles que tentures, rideaux, stores, etc.
- Le tuyau d'évacuation doit être libre de toute obstruction.
- Ne placez pas le climatiseur sur une surface instable ou surélevée car il pourrait se renverser et causer des dommages ou des blessures.
- Ne placez pas le climatiseur sous les rayons directs du soleil ou près d'une source de chaleur telle que plinthe électrique, poêle, etc.
- Le panneau de fenêtre peut être installé dans une fenêtre d'une ouverture minimale de 20 po (55,88 cm) et maximale de 46 po (121,92).

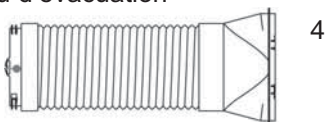


Instructions d'installation

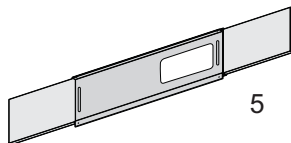
PIÈCES INCLUES (L'aspect peut varier)



- 1. Panneau de commande
- 2. Évent à lames pivotantes
- 3. Roulettes
- 4. Tuyau d'évacuation



- 5. Plaque d'étanchéité pour fenêtre



- 6. Panneau de filtre
- 7. Crochet du cordon d'alimentation (2)
- 8. Poignée (2)
- 9. Évent d'air - Évacuation
- 10. Trou d'évacuation continue
- 11. Grille d'entré d'air
- 12. Orifice d'évacuation
- 13. Cordon d'alimentation et fiche
- 14. Petite vis



Instructions d'installation

1. DÉBALLER LE CLIMATISEUR

⚠ AVERTISSEMENT

Risque lié au poids excessif

Utilisez deux personnes ou plus pour déplacer et installer le climatiseur.
L'omission de procéder ainsi peut occasionner des blessures au dos ou ailleurs.

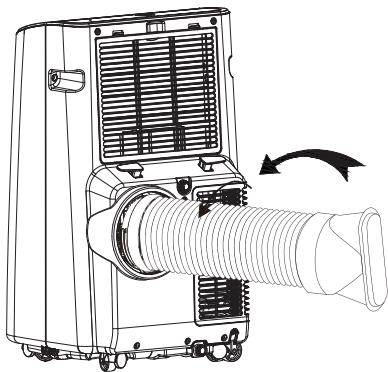
- Retirez le matériel d'emballage. Conservez la boîte et la mousse d'emballage pour entreposer le climatiseur lorsqu'il n'est pas utilisé.

REMARQUE : Il n'y a PAS de matériel d'emballage qu'il faut retirer à l'intérieur du climatiseur — N'ouvrez PAS la carrosserie.

- Jetez/Recyclez proprement tout le matériel d'emballage.
- Manipulez le climatiseur avec soin.
- Gardez le climatiseur debout et de niveau. Ne déposez pas le climatiseur sur ses côtés, le devant, l'arrière ou à l'envers.

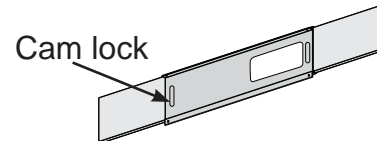
2. Installer le tuyau d'évacuation sur l'arrière du climatiseur

Installez le tuyau d'évacuation en le vissant dans l'orifice d'évacuation dans le sens contraire des aiguilles sur l'arrière du climatiseur.

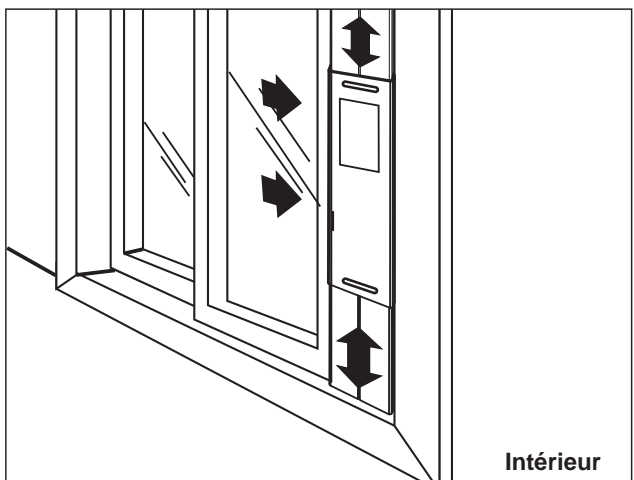
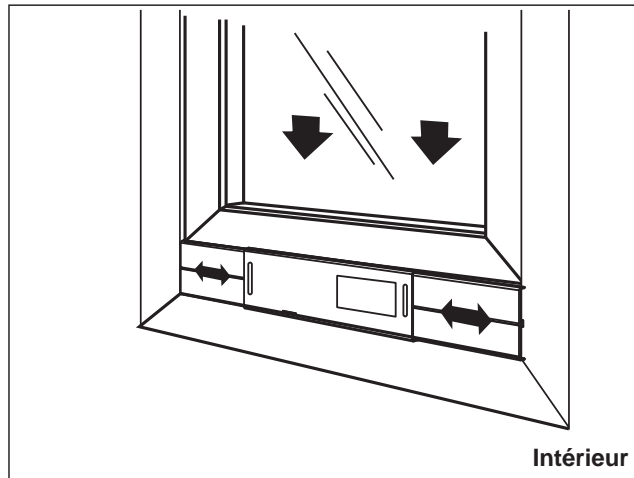


3. INSTALLER LES PANNEAUX DE FENÊTRE

- A. Mesurez l'ouverture de la fenêtre. Pour une ouverture de 20 po (55,88 cm), utilisez seulement le panneau central de la trousse de fenêtre avec l'ouverture pour l'adaptateur du tuyau d'évacuation. Pour les ouvertures de 20 à 33 po (55,88 à 83,8 cm), insérez un panneau latéral sur le panneau central, pour les ouvertures de 33 à 46 po (83,8 à 121,92 cm), insérez les deux panneaux latéraux.



- B. Placez la trousse de fenêtre dans l'ouverture de fenêtre (les verrous à came orientés vers vous) et glissez les panneaux latéraux (s'ils sont utilisés) vers l'extérieur pour remplir l'ouverture. Verrouillez les panneaux en place avec les verrous à came. Fermez la fenêtre contre la trousse de fenêtre.

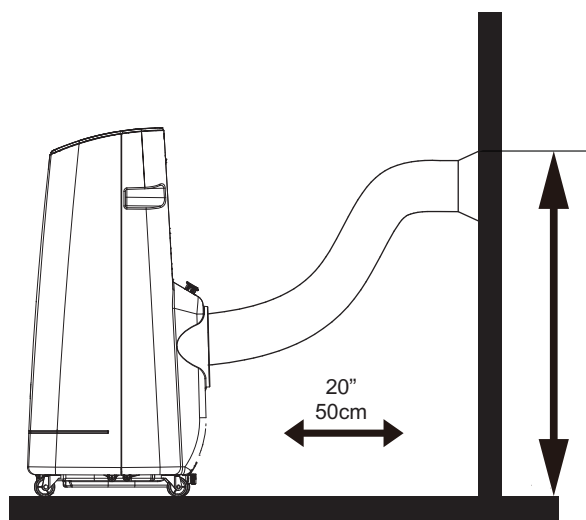
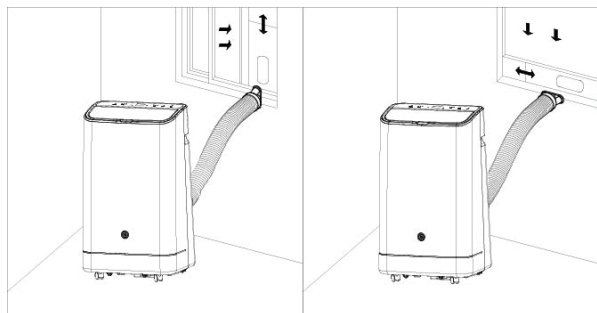


Instructions d'installation

4. Connecter le tuyaux d'évacuation sur le panneau de fenêtre

Placez le climatiseur à 20 (55,88 cm) po du mur et de tout autre obstacle. Étendez le tuyau pour qu'il atteigne la trousse de fenêtre. Insérez l'adaptateur de tuyau d'évacuation dans l'orifice de la trousse de fenêtre et glissez-le en position de verrouillage. Le tuyau doit s'étendre en ligne droite jusqu'à la fenêtre sans extension excessive. Utilisez une petite vis pour attacher le tuyau d'évacuation sur la plaque d'étanchéité pour fenêtre.

Important : Le climatiseur doit être ventilé à l'extérieur. N'utilisez pas un tuyau plus long, ou n'étendez pas excessivement le tuyau inclus avec le climatiseur, au risque de refroidissement inadéquat et de surchauffe.



5. COMPLÉTER L'INSTALLATION

⚠ AVERTISSEMENT



Risque de décharge électrique

Brancher l'appareil dans une prise à 3 broches mise à la terre.

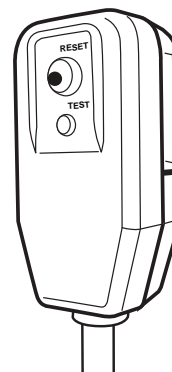
Ne retirez pas la broche de liaison à la terre du cordon d'alimentation.

N'utilisez pas un adaptateur.

N'utilisez pas un cordon de rallonge.

L'omission de prendre ces précautions peut causer un incendie, un choc électrique ou la mort.

1. Branchez le cordon d'alimentation dans une prise à 3 trous mise à la terre.
2. Pressez le bouton Reset (réinitialisation) de la fiche de sécurité pour vous assurer qu'elle fait passer le courant au climatiseur.
3. Lorsque vous retirez le climatiseur, assurez-vous de retirer aussi la trousse de fenêtre.



Conseils de dépannage

Problème	Causes probables	Solution
L'appareil ne démarre pas ou ne fonctionne pas	Le cordon d'alimentation n'est pas branché dans la prise	Branchez le cordon d'alimentation dans une prise à 3 trous mise à la terre.
	Le cordon d'alimentation s'est déclenché.	Pressez puis relâchez le bouton RESET du cordon d'alimentation.
	Le bouton Power (marche/arrêt) n'a pas été pressé.	Pressez le bouton Power sur le panneau de commande ou la télécommande pour mettre le climatiseur sous tension (ON).
	Il n'y a pas de courant à la prise électrique.	Branchez une lampe qui fonctionne dans la prise pour vérifier la présence de courant.
	Un fusible domestique est grillé ou un disjoncteur est déclenché.	Remplacez le fusible ou réenclenchez le disjoncteur.
	Un délai a été programmé avec la minuterie sur le panneau de commande.	Annulez le délai. Voyez la section Panneau de commande.
	Les piles de la télécommande sont épuisées.	Remplacez les piles.
	Le réservoir d'eau interne est plein. REMARQUE : Le climatiseur s'éteint automatiquement et l'indicateur de plein d'eau s'allume pour vous alerter de cette condition.	Videz le réservoir d'eau. Voyez la section Entretien du climatiseur.
La télécommande ne fonctionne pas	Les piles sont épuisées.	Remplacez les piles.
	Les piles ne sont pas installées correctement.	Assurez-vous que toutes les piles sont insérées dans la bonne position.
Le climatiseur fonctionne mais la pièce ne se refroidit pas.	La température de la pièce est très chaude. REMARQUE : Lors de jours très chauds et humides, le climatiseur peut mettre plus de temps à refroidir la pièce.	Allouez du temps pour le refroidissement lorsque vous allumez le climatiseur la première fois. Assurez-vous que la capacité (en BTU) du climatiseur est suffisante pour refroidir le volume de la pièce.
	Le panneau de commande n'est pas réglé correctement dans le mode Fan (ventilateur) ou Dry (déshumidification).	Réglez le mode à Cool (refroidissement) et la vitesse du ventilateur (Fan Speed) à High (haute).
	La circulation d'air est obstruée.	Retirez tous les obstacles et redirigez la circulation d'air pour obtenir un refroidissement uniforme.
	Le réglage de température est trop élevé.	Baissez le réglage de la température.
	Les filtres à air sont sales ou obstrués	Nettoyez le filtre à air. Voyez la section Entretien du climatiseur.
	Le climatiseur n'est pas installé correctement	Vérifiez que le tuyau d'évacuation et le panneau de fenêtre sont bien installés.
	Des portes et/ou des fenêtres sont ouvertes.	Fermez les portes et les fenêtres de la pièce à refroidir pour empêcher l'air frais de s'échapper.

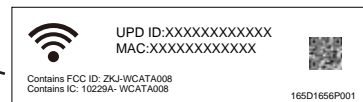
Codes d'erreur

Code	Signification
E1	Le capteur de température du tuyau est anormal
E2	Le capteur de température de la pièce est anormal
E4	Protection contre le gel
FL	Plein d'eau

Configuration du WI-FI (certains modèles)

Fonction Wi-Fi Connect de GE Appliances (clients aux États-Unis)

GE Appliances U+ Connect Enabled* Si votre climatiseur est doté d'une étiquette de renseignements sur la connexion d'électroménagers apposée sur l'extérieur comme illustré ci-dessous, alors votre climatiseur est compatible avec la connectivité U+ de GE Appliances. Une carte de communication Wi-Fi est intégrée dans votre produit, lui permettant de communiquer avec votre téléphone intelligent pour surveillance, contrôle et notification à distance. Veuillez visiter GEAppliances.com/connect pour en apprendre davantage sur les fonctions de connexion pour électroménagers et les applications compatibles avec votre téléphone intelligent. Pour de l'assistance, composez le 1-800-220-6899.



Comment ça fonctionne

Téléchargez l'application GE Appliances



Utilisez l'application pour connecter votre climatiseur au Wi-Fi



Une fois connecté, utilisez l'application pour diminuer le réglage de température de votre climatiseur en quittant le travail.



Pour commencer

Pour connecter votre climatiseur, vous aurez besoin de l'application de GE Appliances. L'application vous guidera le long de la procédure de connexion. Téléchargez l'application depuis iTunes ou Google Play



Toutes les données relatives à l'électroménager connecté sont traitées en stricte conformité avec la Politique de confidentialité des données connectées de GE Appliances. Visitez la page geappliances.com/privacy/privacy_policy_connected pour lire cette politique.

Questions concernant U+ Connect

Obtenez les réponses dont vous avez besoin en lisant nos articles consacrés à la configuration des électroménagers Wi-Fi et la connexion à votre réseau domestique.

Visitez products.geappliances.com/appliance/gea-support-search-content pour lire les articles associés à la connexion Wi-Fi de votre climatiseur.

RENSEIGNEMENTS RÉGLEMENTAIRES

Déclaration de conformité de la FCC/IC :

Cet appareil est conforme aux prescriptions de la partie 15 des règles de la FCC. Le fonctionnement de cet équipement est assujéti aux deux conditions suivantes :

1. Cet appareil ne doit pas causer de brouillage préjudiciable.
2. Cet appareil doit accepter tout brouillage qu'il reçoit, y compris celui pouvant entraîner un fonctionnement indésirable.

Cet équipement a été testé et déclaré conforme aux limites imposées pour un appareil numérique de Classe B, conformément à la partie 15 de la réglementation FCC. Ces limites sont conçues pour assurer une protection raisonnable contre le brouillage nuisible dans une installation résidentielle. Cet équipement génère, utilise et émet des fréquences radio qui, en cas d'une installation erronée ou d'une utilisation non-conforme aux instructions de ce manuel d'utilisation peuvent causer un brouillage nuisible aux communications radio. Il n'y a cependant aucune garantie qu'un brouillage nuisible ne surviendra pas dans une installation donnée. Si cet équipement cause un brouillage nuisible sur votre poste radio ou de télévision, ce que vous pouvez déterminer en éteignant et en rallumant votre équipement, il est conseillé à l'utilisateur d'essayer de pallier ce brouillage nuisible en prenant l'une ou

l'autre des mesures suivantes :

- Réorienter ou repositionner l'antenne de réception.
- Augmenter la distance entre l'équipement et le récepteur.
- Brancher l'équipement dans une prise d'un circuit qui diffère de celui auquel le récepteur est branché.
- Consulter le revendeur ou un technicien en radio-télévision expérimenté pour obtenir de l'aide.

Étiquetage : Les modifications non explicitement approuvées par le fabricant peuvent annuler le droit de l'utilisateur de se servir de cet équipement.

*Modèles sélectionnés seulement

Ce produit est doté d'une compatibilité Wi-Fi et nécessite une connexion Internet et un routeur sans fil pour permettre l'interconnexion avec un système de gestion d'énergie et/ou d'autres périphériques, systèmes or applications extérieurs. L'utilisation du logo Works with Apple HomeKit™ signifie qu'un accessoire électronique a été conçu pour se connecter spécifiquement à iPod touch®, iPhone® ou iPad®, respectivement, et que son développeur a certifié qu'il satisfait les normes de performance Apple®. Apple n'est pas responsable de l'utilisation de cet accessoire ou de sa conformité avec les normes de sécurité et réglementaires.

Garantie limitée du conditionneur d'air

Toute réparation sous garantie doit être réalisée par nos Centres de service en usine ou un technicien Customer Care® autorisé. Pour prévoir une réparation, consultez notre site electromenagersge.car/soutien/demande-de-service ou appelez le 800.561.3344. Veuillez avoir votre numéro de série et votre numéro de modèle à portée de main lorsque vous appelez pour obtenir un service.

Pendant la période de garantie de :	GE Appliances remplacera :
Deux ans A compter de la date d'achat initial	Toute pièce du climatiseur qui se révèle défectueuse en raison d'un vice de matières ou de fabrication. Au cours de cette garantie limitée de deux ans, GE Appliances couvrira gratuitement les frais de main-d'œuvre et les frais de service associés pour remplacer la pièce défectueuse.

Ce qui n'est pas couvert par GE Appliances :

- Toute visite à votre domicile pour vous expliquer le fonctionnement de l'appareil.
- Appelez le 866.907.1655 (aux États-Unis) pour démarrer le processus de remplacement du produit
- Une installation, une livraison ou un entretien inadéquats. Pour tout problème d'installation, ou si le climatiseur n'assure pas une climatisation adéquate, communiquez avec votre détaillant ou votre installateur. Vous avez la responsabilité de fournir les installations appropriées pour les raccordements électriques.
- Une défectuosité attribuable à une modification du produit, une utilisation déraisonnable ou un entretien inadéquat ou négligent.
- Dans les établissements commerciaux, la main-d'œuvre nécessaire pour amener l'appareil à un endroit où il pourra être accessible aux fins de réparation par un technicien.
- Le remplacement des fusibles ou le réenclenchement des disjoncteurs.
- Une défectuosité attribuable à la corrosion sur les modèles qui ne sont pas protégés contre la corrosion.
- Les dommages au produit attribuables à une alimentation électrique inadéquate, un accident, un incendie, une inondation ou un cas de force majeure.
- Tout dommage direct ou indirect à la propriété causé par une éventuelle défectuosité de ce climatiseur.
- Les dommages survenus après la livraison.

EXCLUSION DE GARANTIES IMPLICITES - Votre seul et unique recours consiste dans la réparation du produit selon les dispositions de cette Garantie limitée. Toutes les garanties implicites, incluant les garanties de qualité marchande et de convenance, sont limitées à deux ans ou à la période la plus courte autorisée par la loi.

Cette garantie limitée est offerte à l'acheteur initial et à tout propriétaire subséquent d'un produit acheté en vue d'une utilisation aux États-Unis et au Canada. Si le produit est installé dans une région non desservie par un réparateur autorisé GE Appliances, vous pourriez être tenu d'assumer des frais de déplacement ou d'apporter le produit à un centre de réparation autorisé GE Appliances. En Alaska, la garantie limitée ne couvre pas les frais d'expédition et les appels de service à votre domicile.

Dans certains États ou provinces, il est interdit d'exclure ou de limiter les dommages directs ou indirects. La présente garantie limitée vous confère des droits juridiques spécifiques. Vous pouvez bénéficier d'autres droits qui varient d'une province ou d'un État à l'autre. Pour connaître les droits dont vous bénéficiez dans votre région, communiquez avec des relations avec les consommateurs de votre région ou encore le Procureur général de votre État.

Garant : GE Appliances, a Haier company
Louisville, KY 40225

Agritez votre facture ici. Pour bénéficier du service de réparation sous garantie, une preuve de la date d'achat initial est nécessaire.

Soutien au consommateur

Site Web de GE Appliances

Vous avez une question ou vous avez besoin d'aide pour votre appareil électroménager? Visitez le site Web de GE Appliances 24 heures par jour, tous les jours de l'année! Vous pouvez aussi y trouver d'autres formidables produits GE Appliances et tirer avantage de tous nos services d'assistance en ligne. Aux États-Unis : **GEAppliances.com**

Enregistrez votre électroménager

Enregistrez votre nouvel appareil en ligne au moment qui vous convient le mieux! L'enregistrement de votre produit dans les délais prescrits permet une meilleure communication et un service rapide, selon les modalités de votre garantie, si besoin est. Vous pouvez également envoyer par courrier la carte d'enregistrement pré-imprimée qui se trouve dans l'emballage de votre appareil.

Aux États-Unis : **GEAppliances.com/register**

Service de réparation

Un service de réparation expert GE Appliances se trouve à quelques pas de chez vous. Rendez-vous sur notre site et programmez, à votre convenance, une visite de réparation à n'importe quel jour de l'année.

Aux États-Unis : **GEAppliances.com/service** ou composez le 800.432.2737 durant les heures normales de bureau.

Prolongation de garantie

Procurez-vous une prolongation de garantie GE Appliances et informez-vous des rabais spéciaux en vigueur pendant la durée de votre garantie. Vous pouvez vous la procurer en ligne en tout temps. Les services GE Appliances seront toujours disponibles après l'expiration de la garantie. Aux États-Unis :

GEAppliances.com/extended-warranty ou composez le 800.626.2224 durant les heures normales de bureau.

Connectivité à distance

Pour de l'assistance concernant la connectivité au réseau sans fil (pour les modèles équipés de cette fonction), visitez notre site Web au **GEAppliances.com/connected-home-smart-appliances** ou composez le 800.220.6899 aux États-Unis seulement.

Pièces et accessoires

Les personnes ayant les compétences requises pour réparer elles-mêmes leurs appareils peuvent recevoir directement à la maison des pièces ou accessoires (les cartes VISA, MasterCard et Discover sont acceptées). Commandez en ligne 24 heures par jour.

Aux États-Unis : **GEApplianceparts.com** ou par téléphone au 877.959.8688 durant les heures normales de bureau.

Les instructions contenues dans le présent manuel comportent des procédures que tout utilisateur peut effectuer. Les autres types de réparation doivent généralement être confiés à un technicien qualifié. Utilisez de prudence : une réparation ou un entretien mal effectués peuvent rendre l'utilisation de l'appareil dangereuse.

Communiquez avec nous

Si vous n'êtes pas satisfait du service après-vente de GE Appliances, communiquez avec nous depuis notre site Web en fournissant tous les détails dont votre numéro de téléphone, ou écrivez à :

Aux États-Unis : General Manager, Customer Relations | GE Appliances, Appliance Park | Louisville, KY 40225
GEAppliances.com/contact



ACCONDICIONADORES DE AIRE PARA SALA

INFORMACIÓN IMPORTANTE DE SEGURIDAD 3

USO DEL ACONDICIONADOR DE AIRE 4

CUIDADO Y LIMPIEZA 7

INSTRUCCIONES DE INSTALACIÓN 9

SOLUCIONAR PROBLEMAS . .13

CONFIGURACIÓN WIFI 14

GARANTÍA LIMITADA.15

SOPORTE AL CLIENTE16

MANUAL DEL PROPIETARIO Y INSTRUCCIONES DE INSTALACIÓN

APCA10
APWA11

Antes de comenzar (en algunos modelos)

Registre el número de módulo de GE Appliances y su contraseña para la configuración del wifi. Para ubicar esta información, consulte las página 14.

módulo de GE Appliances _____

de Contraseña: _____

Escriba los números de modelo y serie aquí:

de Modelo _____

de Serie _____

Puede encontrar estos números en una etiqueta en el costado del acondicionador de aire.

GRACIAS POR HACER QUE GE APPLIANCES SEA PARTE DE SU HOGAR.

Ya sea que haya crecido usando GE Appliances, o que ésta es su primera vez, nos complace tenerlo en la familia.

Sentimos orgullo por el nivel de arte, innovación y diseño de cada uno de los electrodomésticos de GE Appliances, y creemos que usted también. Entre otras cosas, el registro de su electrodoméstico asegura que podamos entregarle información importante del producto y detalles de la garantía cuando los necesite.

Registre su electrodoméstico GE ahora a través de Internet. Sitios Web y números telefónicos útiles están disponibles en la sección de Soporte para el Consumidor de este Manual del Propietario.

También puede enviar una carta en la tarjeta de inscripción preimpresa que se incluye con el material embalado.



GE APPLIANCES

INFORMACIÓN IMPORTANTE DE SEGURIDAD

LEA TODAS LAS INSTRUCCIONES ANTES DE USAR

INSTRUCCIONES IMPORTANTES DE SEGURIDAD

⚠ ADVERTENCIA

Para reducir el riesgo de incendio, choque eléctrico, lesiones a personas o daños al utilizar el acondicionador de aire, siga precauciones básicas, incluyendo las siguientes:

- Lea todas las instrucciones antes de usar este electrodoméstico.
- Conecte a un contacto de pared de conexión a tierra de 3 terminales.
- No quite el terminal de conexión a tierra.
- No use un adaptador.
- No use un cable eléctrico de extensión.
- No ponga a funcionar el acondicionador de aire si tiene un cable o enchufe dañado, si no funciona correctamente o si se ha dañado o caído.
- GE no suministra servicio técnico para el acondicionador de aire. Para opciones de reintegro o cambio, consulte la información de la garantía.

- Desconecte el suministro de energía antes de darle servicio técnico.
- Desconecte el suministro de energía antes de limpiarlo..
NOTA: Si apaga la unidad presionando el botón Power (Encendido), esto NO desconecta el electrodoméstico del suministro de energía.
- No instale ni utilice el acondicionador de aire en áreas donde la atmósfera contenga gases combustibles o donde la atmósfera esté contaminada. Evite que cualquier producto químico entre en contacto con el acondicionador de aire.
- No almacene nada directamente encima del acondicionador de aire.
- Con la ayuda de dos o más personas, mueva e instale el acondicionador de aire.
- Nunca haga funcionar el acondicionador de aire si los filtros de aire no están colocados en su lugar.
- No utilice el acondicionado de aire cerca de una tina, ducha o lavabo ni otra zona húmeda.

⚠ ADVERTENCIA

Riesgo de Incendio o Explosión. Esta unidad contiene refrigerante inflamable. Se deben seguir las precauciones adicionales de seguridad.

- A fin de acelerar el proceso de descongelación o para limpiar, no use ningún método que no sea el recomendado por el fabricante.
- Este electrodoméstico deberá ser guardado en una sala donde no haya fuentes de encendido continuas (por ejemplo: llamas abiertas, un electrodoméstico que funcione a gas o un calefactor que funcione a electricidad).
- No perforo ni queme el tubo refrigerante. Tenga presente que los refrigerantes no deben tener olor.
- Mantenga las aberturas de la ventilación libres de obstrucciones.
- Al mover, instalar y operar el electrodoméstico, se deberá tener cuidado para evitar dañar la tubería del refrigerante.
- No realice perforaciones en la unidad.

- El mantenimiento, la limpieza y el servicio técnico sólo deberán ser realizados por técnicos adecuadamente entrenados y calificados en el uso de refrigerantes inflamables.
- GE no suministra servicio técnico para el acondicionador de aire.
- Descarte el electrodoméstico de acuerdo con las Regulaciones Federales y Locales. Los refrigerantes inflamables requieren procedimientos de descarte específicos. A fin de descartar su acondicionador de aire de forma ambientalmente segura, comuníquese con las autoridades locales.



⚠ ADVERTENCIA

Cómo Insertar las Baterías en el Control Remoto

- Retire la tapa de las baterías, deslizando la misma siguiendo la dirección de la flecha.
- Inserte las baterías nuevas, asegurándose de que el (+) y (-) de las mismas se instalen de forma correcta.
- Vuelva a colocar la tapa deslizando la misma nuevamente hasta su posición.
- Use 2 baterías alcalinas "AAA" (1.5 volt). No use baterías recargables.
- Retire las baterías del control remoto si el sistema no será usado por un período prolongado.
- No use pilas viejas y nuevas al mismo tiempo. No combine baterías alcalinas, estándar (carbono-zinc) o recargables (ni-cad, ni-mh, etc.).

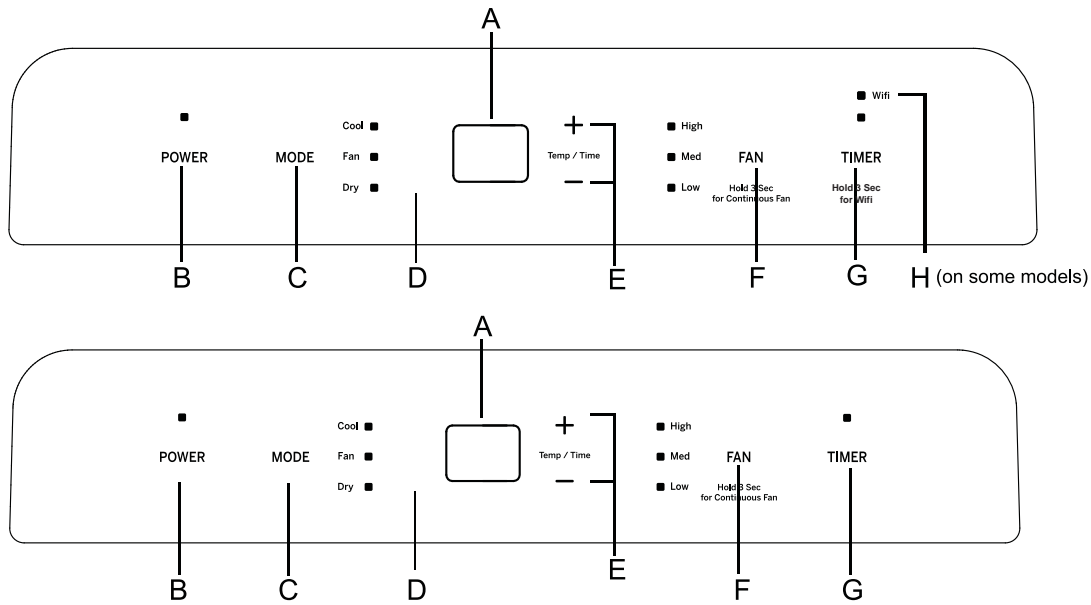
⚠ ADVERTENCIA

Precaución sobre Ingestión. La batería podrá causar sofocación si es tragada por niños.

LEA Y GUARDE ESTAS INSTRUCCIONES

Controles

Las luces al lado de las teclas de toque en el panel de control del acondicionador de aire indicarán los ajustes seleccionados. Las funciones y el aspecto pueden variar.



Controles

A. PANTALLA DEL PANEL DE CONTROL

Muestra la temperatura fijada en grados Fahrenheit. La luz indicadora correspondiente se encenderá.

B. BOTÓN POWER (ENCENDIDO)

ENCIENDE/APAGA el acondicionador de aire.

NOTA: Si apaga la unidad presionando el botón Power (Encendido), esto NO desconecta el electrodoméstico del suministro de energía.

- Presione el botón Power (Encendido). La luz indicadora de Power (Encendido) se iluminará.

C. BOTÓN MODE (MODO)

Presione el botón Mode (Modo) para alternar entre las opciones de operación. El indicador correspondiente se iluminará:

Heat (Calor) (en algunos modelos) - Calienta la habitación a la temperatura establecida

Cool (Enfriamiento): enfría la habitación a la temperatura jada
ECO (Ahorro de Energía) – Hace que el ventilador realice ciclos para refrigerar de forma económica.

Dehum (Deshumidificar): reduce la humedad en la habitación

Fan (Ventilador): hace circular el aire de la habitación sin enfriar

D. VENTANA DE SEÑAL DEL CONTROL REMOTO

Dirija el control remoto hacia esta ventana para que el control reciba la señal.

E. BOTONES CON FLECHAS HACIA ARRIBA Y HACIA ABAJO

Ajustan la temperatura o las horas del tiempo diferido.

Para jar la temperatura:

La temperatura puede fijarse entre 64 °F y 86 °F (18 °C y 30 °C) cuando el acondicionador de aire está en modo Cool (Enfriamiento).

1. Presione el botón Mode (Modo) hasta que se seleccione el modo Cool (Enfriamiento).
2. Presione los botones con las flechas hacia arriba o hacia abajo para seleccionar la temperatura.

NOTA: La temperatura no se puede fijar si el acondicionador de aire está en el modo Fan (Ventilador) o Dehum (Deshumidificar).

NOTA: Los botones con las flechas hacia arriba y hacia abajo, cuando se los presiona al mismo tiempo, le permiten seleccionar entre mostrar la temperatura en °C o °F. El indicador correspondiente se iluminará.

F. BOTÓN FAN SPEED (VELOCIDAD DEL VENTILADOR)

La velocidad del ventilador se puede regular desde velocidad Low (Baja) a High (Alta) cuando el acondicionador de aire está en funcionamiento.

NOTA: La velocidad del ventilador no se puede regular cuando la

unidad está en modo Dehum (Deshumidicar).

- Presione el botón Fan Speed (Velocidad del ventilador) para alternar entre las dos velocidades. El indicador de velocidad del ventilador correspondiente se iluminará.

1. Modo de Ventilación Continua

Para activar el modo de ventilador continuo, mantenga presionado el botón de velocidad del ventilador durante 3 segundos. “C1” aparecerá en la pantalla para el modo de ventilador continuo. Cuando se alcanza la temperatura establecida, el ventilador interior continuará funcionando en modo Frío. (Mientras está en modo Calor y Seco, el ventilador continuará apagándose con el compresor). Para cancelar el modo de ventilador continuo, mantenga presionado el botón de velocidad del ventilador durante 3 segundos. Aparecerá “C2” en la pantalla.

NOTA: La activación y cancelación del modo de ventilador continuo solo se puede realizar mientras la unidad está apagada o en modo frío. Esta función no se puede seleccionar en otros modos.

G. BOTÓN TIMER (TEMPORIZADOR)

Programa un tiempo desde (1 hora a 24 horas) para que el acondicionador de aire se apague o se encienda. Cuando se programa un tiempo diferido, la luz indicadora de Timer (Temporizador) se iluminará.

Mientras el acondicionador de aire está funcionando:

1. Presione el botón Timer (Temporizador).
2. Presione los botones con flecha hacia arriba/abajo para seleccionar el número de horas que desea que el acondicionador de aire continúe funcionando antes de apagarse.

NOTA: Espere unos 5 segundos para que se guarde la hora en que se apagará.

Mientras el acondicionador de aire está apagado:

1. Presione el botón Timer (Temporizador).
2. Presione los botones con flecha hacia arriba/abajo para seleccionar el número de horas que desea que el acondicionador de aire permanezca apagado antes de encenderse.

NOTA: Espere unos 5 segundos para que se guarde la hora en que se encenderá.

Para cancelar el temporizador:

- Presione el botón Timer (Temporizador) una vez, las horas restantes destellarán, presione el botón Timer (Temporizador) de nuevo y el temporizador se cancelará.

H. Tecla de WiFi Connect (en algunos modelos)

1. Mantenga presionado el botón del temporizador por 3 segundos para conectar o desconectar la aplicación.
2. Conecte su acondicionador de aire al enrutador Wifi.

Controles

Se visualizará la Temperatura Configurada cuando la unidad esté en funcionamiento.

Modo de Refrigeración

Use el modo COOL (Refrigeración) para enfriar.

Para configurar el modo COOL (Refrigeración):

1. Presione la tecla MODE (Modo) hasta que la luz indicadora de COOL (Refrigeración) esté encendida.
2. Presione la tecla FAN (Ventilador) para configurar la velocidad del ventilador en HIGH (Alto) o LOW (Bajo).
3. Presione + o – para configurar la temperatura deseada entre 64°F y 86°F por incrementos de 1°F.

Una vez aplicadas las configuraciones, la pantalla no volverá a mostrar la temperatura ambiente.

El control de temperatura se usa para mantener la temperatura del ambiente. El compresor realizará el ciclo de encendido y apagado para mantener la sala en el nivel de confort configurado. Configure el control de temperatura en un número más bajo, y el aire interior comenzará a ser más frío. Configure el control de temperatura en un número más alto, y el aire interior comenzará a ser más caliente.

NOTA: Si el acondicionador de aire está apagado y luego es encendido en la configuración COOL (Refrigeración), pasarán aproximadamente 3 minutos hasta que el compresor se inicie y comience la refrigeración.

Descripciones de Refrigeración

Para un Enfriamiento Normal—Seleccione el modo COOL (Refrigeración) y la velocidad del ventilador en HIGH (Alto) o MEDIUM (Medio) con una temperatura en la configuración intermedia.

Para un Enfriamiento Máximo—Seleccione el modo COOL (Refrigeración) y la velocidad del ventilador en HIGH (Alto) con una temperatura en una configuración baja.

Para un Enfriamiento Más Suave y Nocturno—Seleccione el modo COOL (Refrigeración) y la velocidad del ventilador en LOW (Bajo) con una temperatura en la configuración intermedia.

NOTA: Si pasa de la configuración del modo COOL (Refrigeración) o DRY (Seco) a OFF (Apagado), espere 3 minutos antes de realizar el reinicio.

Modo DRY (Seco) - Deshumidificación

Use el modo DRY (Seco) sólo para aplicar la deshumidificación. El ventilador funcionará en una velocidad fija en esta configuración, de modo que no será posible configurar la velocidad de la ventilación. Mantenga las ventanas y puertas cerradas para lograr los mejores efectos de deshumidificación.

Para configurar el modo DRY (Seco):

• Presione la tecla MODE (Modo) hasta que la luz indicadora de DRY (Seco) esté encendida

En el modo DRY (Seco), no se mostrará una temperatura configurada. Una vez configurado el modo DRY (Seco), la pantalla volverá a mostrar la temperatura ambiente.

NOTA: Si pasa de una configuración de DRY (Seco) a OFF

(Apagado) o a una configuración del ventilador, espere por los menos 3 minutos antes de volver a pasar a una configuración de DRY (Seco).

Si usará la unidad en el modo DRY (Seco) como deshumidificador durante un período de tiempo prolongado:

1. Desenchufe el cable de corriente.
2. Conecte una manguera de drenaje flexible de ½" de diámetro exterior al puerto de drenaje superior y drene hacia el drenaje del piso.
3. Vuelva a conectar el cable de corriente y presione la tecla MODE (Modo) hasta que la luz indicadora de DRY (Seco) esté encendida.

Modo de Ventilación

Use el modo FAN (Ventilación) para brindar circulación de aire y filtrar sin refrigerar.

Para configurar el modo FAN (Ventilación):

- Presione la tecla FAN (Ventilación) hasta que la luz indicadora deseada de velocidad en HIGH (Alto) o LOW (Bajo) esté encendida.

Debido a que las configuraciones de sólo ventilador no brindan refrigeración, no será exhibida una temperatura configurada.

Una vez configurada la velocidad de FAN (Ventilación), la pantalla volverá a mostrar la temperatura ambiente.

Función de Recuperación por Corte de Suministro

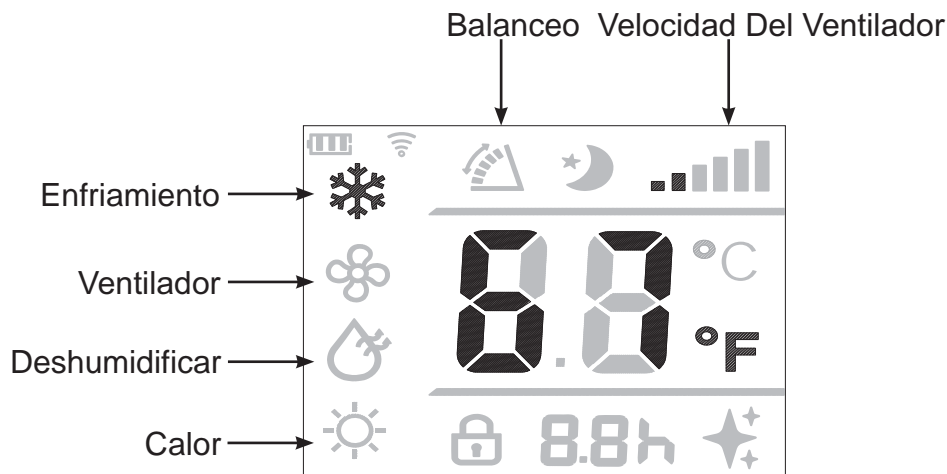
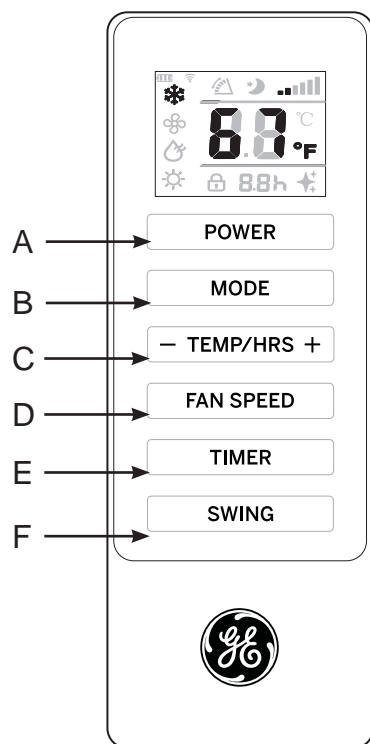
En caso de corte de suministro o interrupción, la unidad se reiniciará de forma automática en las configuraciones usadas por última vez una vez restablecido el servicio.

NOTA: Si TIMER (Temporizador) fue configurado antes del corte de corriente, será necesario reiniciar el mismo una vez restablecido el servicio.

NOTA: La temperatura por defecto que figura en la pantalla está en grados Fahrenheit (°F). Para modificar la pantalla a grados Celsius (°C), mantenga presionados los botones Temp Increase (Incremento de Temperatura) + Temp Decrease (Disminución de Temperatura) – al mismo tiempo. Repita el proceso para volver a modificar la pantalla a grados Fahrenheit (°F).

Controles

Las luces al lado de las teclas de toque en el panel de control del acondicionador de aire indicarán los ajustes seleccionados. Las funciones y el aspecto pueden variar.



CONTROL REMOTO

1. Inserte las dos baterías (incluidas).
2. Apunte el control remoto al receptor de señal en el panel de control para operar el aire acondicionado.

A. Botón Power (Encendido)

ENCIENDE/APAGA el acondicionador de aire.

NOTA: Si apaga la unidad presionando el botón Power (Encendido), esto NO desconecta el electrodoméstico del suministro de energía.

- Presione el botón Power (Encendido). La luz indicadora de Power (Encendido) se iluminará.

B. Botón Mode (Modo)

Presione el botón Mode (Modo) para alternar entre las opciones de operación. El indicador correspondiente se iluminará:

Heat (Calor) (en algunos modelos) - Calienta la habitación a la temperatura establecida

Cool (Enfriamiento): enfría la habitación a la temperatura jada

DRY (Deshumidificar): reduce la humedad en la habitación

Fan (Ventilador): hace circular el aire de la habitación sin enfriar.

C. Botones Con Flechas Hacia Arriba Y Hacia Abajo

Ajustan la temperatura o las horas del tiempo diferido.

Para jar la temperatura:

La temperatura puede fijarse entre 64 °F y 86 °F (18 °C y 30 °C) cuando el acondicionador de aire está en modo Cool (Enfriamiento).

1. Presione el botón Mode (Modo) hasta que se seleccione el modo Cool (Enfriamiento).

2. Presione los botones con las flechas hacia arriba o hacia abajo para seleccionar la temperatura.

NOTA: La temperatura no se puede fijar si el acondicionador de aire está en el modo Fan (Ventilador) o DRY (Deshumidificar).

D. Botón Fan Speed (Velocidad Del Ventilador)

La velocidad del ventilador se puede regular desde velocidad Low (Baja) a High (Alta) cuando el acondicionador de aire está en funcionamiento.

NOTA: La velocidad del ventilador no se puede regular cuando la unidad está en modo DRY (Deshumidificar).

- Presione el botón Fan Speed (Velocidad del ventilador) para alternar entre las dos velocidades. El indicador de velocidad del ventilador correspondiente se iluminará.

E. Timer

Programa un tiempo desde (1 hora a 24 horas) para que el acondicionador de aire se apague o se encienda. Cuando se programa un tiempo diferido, la luz indicadora de Timer (Temporizador) se iluminará.

F. Botón de Balanceo

Las celosías de su acondicionador portátil se abrirán de forma automática (no las abra con fuerza ni haga presión para cerrarlas).

Use el Botón de Balanceo de su control remoto para ajustar las celosías en la posición que desee que se encuentren; o para un funcionamiento en el modo Swing (Balanceo), las celosías continuarán el movimiento hacia arriba y abajo.

LIMPIEZA

⚠ ADVERTENCIA



Riesgo de descarga eléctrica.

Desconecte la fuente de alimentación antes de limpiar.

El incumplimiento de estas instrucciones puede provocar la muerte o una descarga eléctrica

1. Desenchufe o desconecte el suministro de energía.
2. Útil solamente un paño dulce humedecido con agua para limpiar el gabinete.

NOTA:

- No use un limpiador líquido o con rociador para limpiar el acondicionador de aire.
- No usar productos químicos, abrasivos, amoníaco, blanqueador con cloro, detergentes concentrados, solventes o estropajos de metal. Algunos de estos artículos / productos químicos pueden dañar y / o decolorar su acondicionador de aire.

3. Ve bien con un paño dulce.
4. Enchufe o vuelva a conectar el suministro de energía..

FILTROS DE AIRE

Los filtros de aire deben limpiarse al menos una vez a la semana para garantizar que la unidad funcione con una eficiencia óptima.

⚠ PRECAUCIÓN

No opere el acondicionador de aire si los filtros de aire no

están en su lugar.

Para eliminar:

1. Desenchufe o desconecte el suministro de energía.
2. Jale de las lengüetas para deslizar los filtros de la parte.

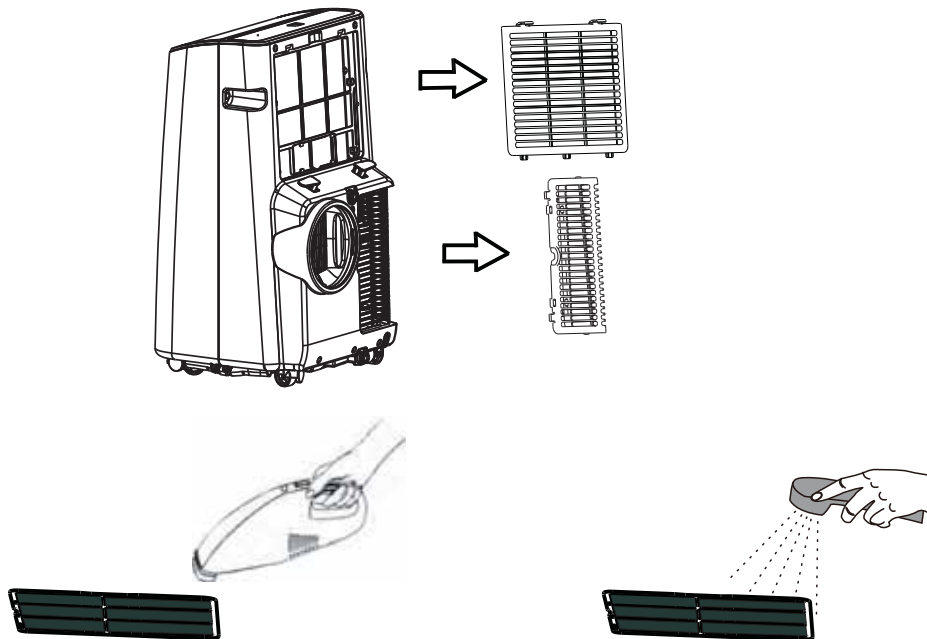
Posterior del acondicionador de zona.

NOTA: Los filtros secundarios están disponibles una vez que se muestran los filtros principales.

3. Lava o chupa el polvo de los filtros de aire.

NOTA: Si se lava, agite el filtro para eliminar el exceso de partículas de polvo atrapadas en el filtro.

4. Vuelva ha instalado los filtros.
5. Enchufe o vuelva a conectar el suministro de energía.



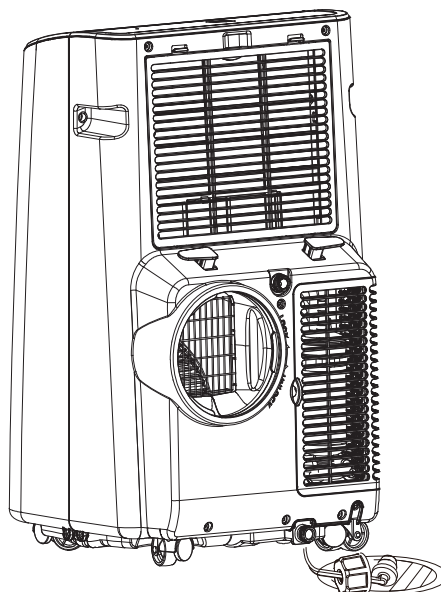
Cuidado y Limpieza

TANQUE DE AGUA INTERIOR

El indicador de agua llena se ilumina cuando el tanque de agua interno está lleno de agua de condensación.

Vaciar el depósito de agua interno:

1. Desconecte o desconecte la fuente de alimentación eléctrica.
2. Coloque un recipiente hueco con una capacidad mínima de 1 cuarto (no incluido) debajo de la piscina de drenaje inferior en la parte posterior del acondicionador de aire (cerca de la parte inferior).
3. Retire la tapa y el tapón de goma y drene el tanque de agua.
4. Vuelva a instalar el tapón de drenaje y apriete firmemente la tapa.
5. Conecte el dispositivo o vuelva a conectar la fuente de alimentación



RANGEMENT

Durante largos periodos de inactividad del dispositivo:

1. Desconecte o desconecte la fuente de alimentación eléctrica.
2. Drene el agua del tanque de agua. Consulte Mantenimiento de la

acondicionador de aire.

3. Coloque la unidad en su embalaje original para evitar la acumulación de polvo o suciedad.

4. Guarde el aire acondicionado en un lugar fresco y seco.

CÓMO INSERTAR LAS PILAS EN EL CONTROL REMOTO

1. Retire la cubierta de la pila deslizándola de acuerdo con la dirección de la flecha.
2. Inserte pilas nuevas cerciorándose de que los polos positivos (+) y negativos (-) están orientados correctamente.
3. Coloque la cubierta otra vez deslizándola en su lugar.

NOTAS:

- Use 2 pilas alcalinas "AAA" de 1,5 voltios. No use pilas recargables.
- Retire las pilas del control remoto si no va a usar el sistema por un período prolongado.
- No mezcle baterías nuevas y viejas. No mezcle baterías alcalinas, estándar (carbono-cinc) o recargables (ni-cad, ni-mh, etc).

Instrucciones de instalación

¿Preguntas? Llame a GE Appliances al 800.GE.CARES (800.432.2737) o visite nuestro sitio web en: GEAppliances.com. En Canadá, llame al 1.800.561.3344 o visite nuestro Sitio Web en: www.GEAppliances.ca

ANTES DE INICIAR

Lea estas instrucciones completa y cuidadosamente.

- **IMPORTANTE** — Guarde estas instrucciones para uso del inspector local.
- **IMPORTANTE** — Observe todos los códigos y órdenes de ley.
- **Nota al instalador** – Asegúrese de dejar estas instrucciones con el consumidor.
- **Nota al consumidor** – Conserve estas instrucciones para referencia futura.
- **Nivel de destreza** – La instalación de este aparato requiere de destrezas mecánicas básicas.
- **Tiempo de ejecución** – Aprox. 1 hora
- Recomendamos dos personas para la instalación de este producto.
- La instalación apropiada es la responsabilidad del instalador.
- La falla del producto debido a una instalación inadecuada no está cubierta por la garantía.
- Cuando instale este acondicionador de aire, DEBE usar todas las piezas suministradas y usar procedimientos adecuados de instalación.

REQUISITOS ELÉCTRICOS

Algunos modelos requieren tomacorrientes de 115/120 voltios de corriente alterna y 60 Hz conectados a tierra, protegidos con un fusible de dilatación de tiempo de 15 amperios o un cortacircuitos.

El enchufe de tres púas con conexión a tierra minimiza la posibilidad de descargas eléctricas. Si el tomacorriente de la pared que usted planea usar solamente tiene 2 tomas, es su responsabilidad hacer que un técnico lo reemplace por uno de tres tomas con conexión a tierra.

⚠ PRECAUCIÓN

Bajo ninguna circunstancia corte o remueva la tercera púa (conexión a tierra) del cable eléctrico.

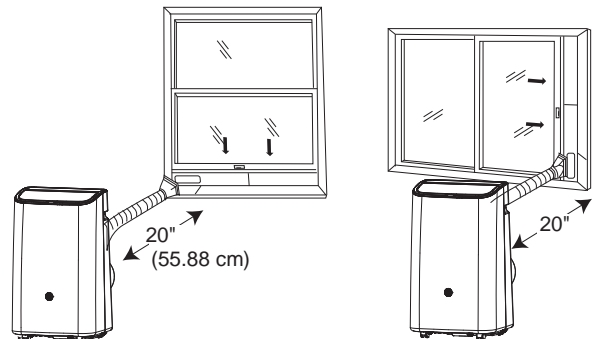
No cambie el enchufe en el cable eléctrico de este acondicionador de aire.

Los cables caseros de aluminio podrían presentar problemas especiales. Consulte a un técnico electricista calificado.

El cable de alimentación incluye un dispositivo para interrupción de corriente. Se incluye un botón de prueba y de reinicio en el dispositivo. El dispositivo debe ponerse a prueba periódicamente: primero se presiona el botón de TEST (prueba) y luego RESET (reinicio) mientras se encuentra enchufado al tomacorriente. Si el botón TEST no se dispara o si el botón RESET no queda enganchado, deje de utilizar el acondicionador de aire y comuníquese con un técnico calificado.

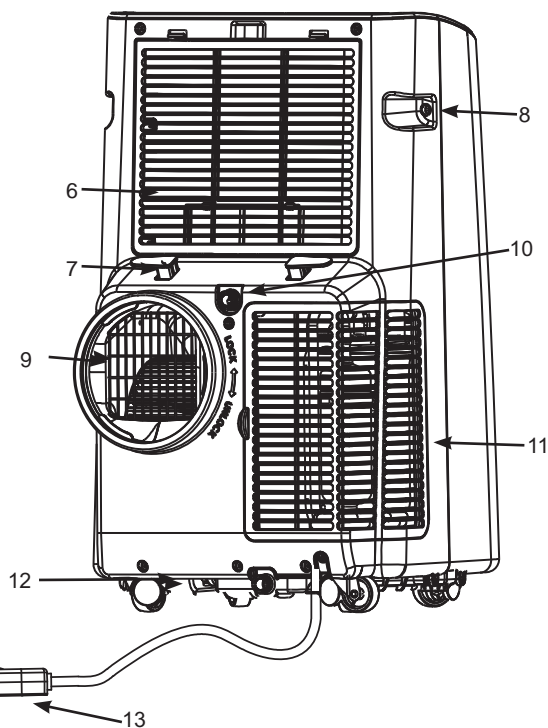
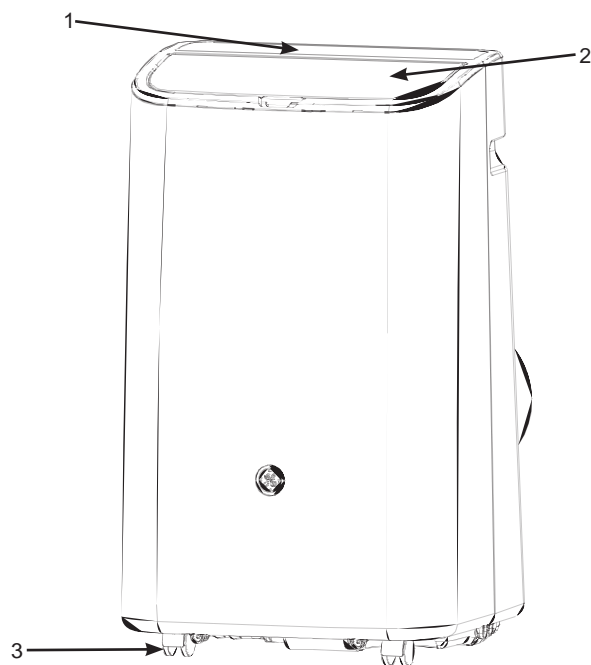
Requisitos De Ubicación

- Coloque el acondicionador de aire sobre una superficie plana y nivelada en una ubicación que esté al menos a 30" de la pared.
- Mantenga el acondicionador de aire libre de obstrucciones como cortinas con pliegues, cortinas, persianas, etc.
- La manguera de escape debe estar libre de cualquier obstrucción.
- No coloque el acondicionador de aire en una superficie inestable o elevada, ya que podría caerse y provocar daños o lesiones.
- No exponga el acondicionador de aire a la luz directa del sol o cerca una fuente de calor como zócalos radiantes, estufas, etc.
- El panel de la ventana puede instalarse en una ventana con una abertura mínima de 20" (55.88 cm) hasta un máximo de 46" (121.92 cm).

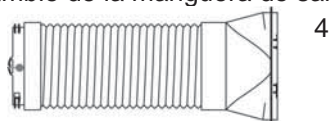


Piezas Y Características

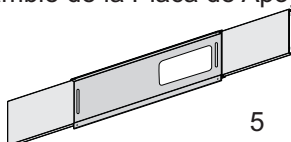
PARTES INCLUIDAS (Apariencia puede variar)



- 1. Panel de Control
- 2. Celosías del Balanceo de Aire
- 3. Ventilación de aire a través de las paletas de balanceo
- 4. Ensamble de la manguera de salida



- 5. Ensamble de la Placa de Apoyo en Ventanas



- 6. Panel del Filtro
- 7. Gancho del Cable de Corriente (2)
- 8. Manija (2)
- 9. Ventilación de Aire - salida
- 10. Agujero de Desagüe Continuo
- 11. Rejilla de Entrada de Aire
- 12. Agujero de drenaje
- 13. Cable y enchufe de corriente
- 14. Tornillo Pequeño



Instrucciones de instalación

1. DESEMBALE EL ACONDICIONADOR DE AIRE

⚠ ADVERTENCIA

Riesgo de Peso Excesivo

Cuente con la ayuda de dos o más personas para trasladar e instalar el acondicionador de aire. Si esto no se cumple se podrán producir lesiones en la espalda u otras heridas.

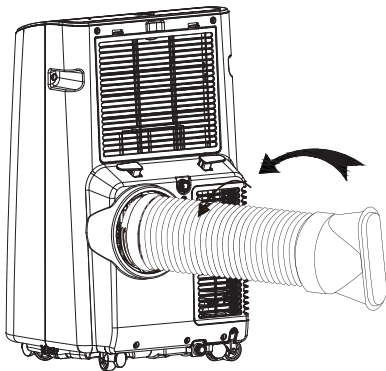
- Retire los materiales del embalaje. Conserve el cartón y el embalaje de gomaespuma para guardar el acondicionador de aire cuando no se encuentre en uso.

NOTA: NO hay materiales de embalaje dentro del acondicionador de aire que sean necesarios retirar - No abra el gabinete.

- Descarte de forma adecuada/ recicle todos los materiales de embalaje.
- Manipule el acondicionador de aire de forma suave.
- Mantenga el acondicionador de aire erguido y nivelado. No ubique el acondicionador de aire sobre su lateral, frente, parte trasera o dado vuelta.

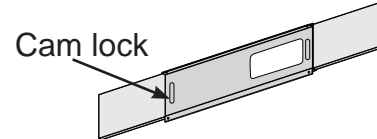
2. Instale el Ensamble de la Manguera de Salida en la Parte Trasera de la Unidad

Instale el ensamble de la manguera de salida desenroscando la manguera en dirección antihoraria en el puerto de salida sobre la parte trasera del acondicionador de aire.

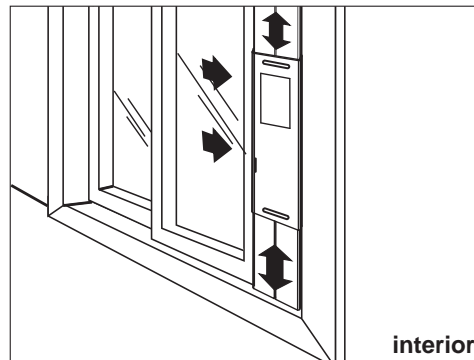
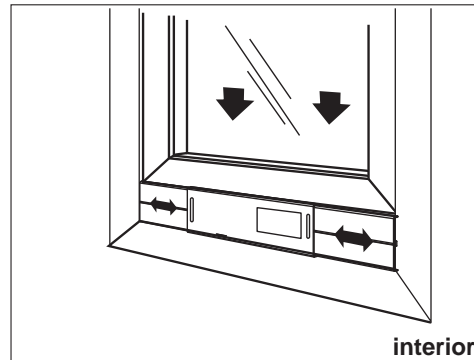


3. INSTALE LOS PANELES DE LA VENTANA

- A. Mida la abertura de la ventana. En una abertura de 20" use sólo el panel intermedio del Kit de Ventana con la abertura para el Adaptador de la Manguera de Salida. Para aberturas de 20" a 33", inserte un panel lateral en el panel intermedio; para aberturas de 33" a 46", inserte ambos paneles laterales.



- B. Coloque el Kit de Ventana en la abertura de la ventana (las Tuercas de Fijación deberán mirar hacia usted) y deslice los paneles laterales (si son usados) hacia afuera para llenar la abertura. Bloquee los paneles en su posición con las Tuercas de Fijación. Deslice el cierre de la ventana contra el Kit de Ventana.

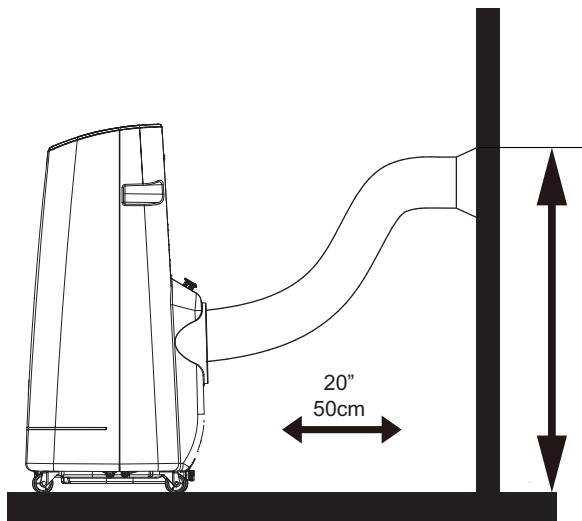
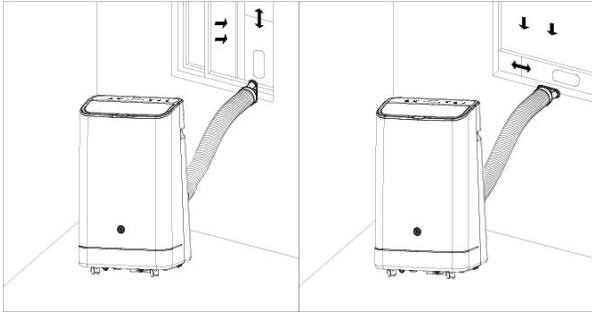


Instrucciones de instalación

4. Conecte la Manguera de Salida al Panel de la Ventana

Coloque el acondicionador de aire a 20" (55,88 cm) de la pared y cualquier otra obstrucción.. Extienda la manguera de modo que llegue hasta el Kit de Ventana. Inserte el Adaptador de la Manguera de Salida en la abertura del Kit de Ventana y deslice el mismo hasta la posición de bloqueo. Asegúrese de que la manguera sea conducida directamente hasta la ventana sin extensiones excesivas. Use un tornillo pequeño para adherir el ensamble de la manguera de salida al ensamble de la placa de sellado de la ventana.

Importante: La ventilación del acondicionador de aire deberá estar dirigida hacia la parte exterior. No utilice una manguera más larga ni extienda la manguera incluida con el acondicionador de aire, ya que la unidad no enfriará de forma adecuada y se sobrecalentará.



5. COMPLETE LA INSTALACIÓN

⚠ ADVERTENCIA



Riesgo de Descarga Eléctrica

Enchufe en un tomacorriente con conexión a tierra de 3 cables.

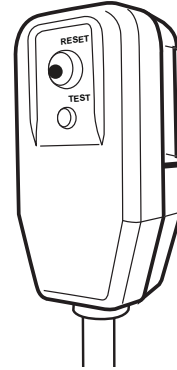
No retire la clavija de conexión a tierra del enchufe del cable de corriente.

No use un adaptador.

No use un prolongador.

Si no se cumple con esto, se podrá producir la muerte, incendio o descarga eléctrica.

1. Enchufe el cable de corriente en un tomacorriente con conexión a tierra de 3 patas.
2. Presione el botón Reset (Reiniciar) del cable de corriente para asegurarse de que el enchufe de seguridad está enviando corriente al acondicionador de aire.
3. Al retirar el acondicionador de aire, asegúrese de retirar el Kit de Ventana.



Solucionar problemas

Problema	Causas posibles	Qué hacer
La unidad no se pone en marcha ni funciona	El cable de suministro de energía no está enchufado en un toma corriente.	Conecte el cable eléctrico a un toma corriente de 3 terminales con conexión a tierra.
	El cable de suministro de energía se ha disparado.	Presione y libere RESET (Restablecer) en el cable de suministro de energía.
	El botón Power (Encendido) no se ha presionado.	Presione el botón Power (Encendido) en el panel de control o el control remoto para ENCENDER el acondicionador de aire.
	El toma corriente eléctrico no recibe suministro eléctrico.	Enchufe una lámpara de trabajo en el toma corriente para verificar si hay energía.
	Se ha fundido un fusible de la casa o se ha disparado un cortacircuitos.	Reemplace el fusible o reposicione el cortacircuitos.
	El control fue programado para un tiempo diferido.	Cancele el tiempo diferido. Vea "Panel de control".
	Las pilas del control remoto están agotadas.	Reemplace las pilas.
	El tanque de agua interno está lleno. NOTA: El acondicionador de aire se apaga automáticamente y el indicador Water Full (Máximo nivel de agua) se ilumina para avisarle de este estado.	Vacíe el tanque de agua. Vea "Cuidado del acondicionador de aire".
El control remoto no funciona	Las pilas están agotadas.	Reemplace las pilas.
	Las pilas están insertadas de forma incorrecta.	Asegúrese de que las pilas se inserten en la posición correcta.
El acondicionador de aire está funcionando, pero la habitación no se enfría.	La temperatura de la habitación está caliente. NOTA: En días muy calurosos y húmedos, el acondicionador de aire necesitará más tiempo para enfriar la habitación.	Dé tiempo para que la habitación se enfríe cuando enciende la unidad por primera vez. Asegúrese de que el acondicionador de aire tenga una categoría de BTU (Unidad Térmica Británica) adecuada para el tamaño de la habitación que desea enfriar.
	El control se ha fijado incorrectamente en modo Fan (Ventilador) o Dehum.	Fije el modo Cool (Enfriamiento) y la velocidad del ventilador en High (Alta).
	El flujo de aire ha disminuido.	Quite los obstáculos que bloquean el flujo de aire y redirija el flujo de aire para lograr un enfriamiento uniforme.
	La temperatura está fijada demasiado alta.	Baje la temperatura fijada.
	Los filtros de aire están sucios u obstruidos.	Limpie el filtro de aire. Vea "Cuidado del acondicionador de aire".
	El acondicionador de aire se ha instalado incorrectamente.	Verifique que la manguera de escape y el panel de la ventana estén correctamente instalados.
	Las puertas y las ventanas están abiertas.	Cierre las puertas y las ventanas de la habitación que desea enfriar para evitar que el aire enfriado se escape.
Exhibe "E1"	El sensor de temperatura de la manguera detecta algo atípico.	Controle el sensor de temperatura de la manguera y los circuitos relacionados.
Exhibe "E2"	El sensor de temperatura de la manguera detecta algo atípico.	Controle el sensor de temperatura de la manguera y los circuitos relacionados.

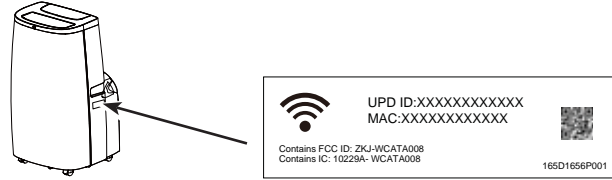
Códigos de Error

Código	Significado
E1	El sensor de temperatura de la manguera detecta algo atípico.
E2	El sensor de temperatura de la manguera detecta algo atípico.
E4	Protección anticongelamiento
FL	Llenado completo de agua

Configuración WiFi (en algunos modelos)

GE Appliances WiFi Connect (Conexión WiFi de GE Appliances) (Para clientes en Estados Unidos)

GE Appliances U+ Connected Habilitado* Si su acondicionador de aire posee una etiqueta de Información del Electrodoméstico Conectado ubicada en la parte externa como se muestra a continuación, su acondicionador de aire cuenta con GE U+ Connect Habilitado. Una tarjeta de comunicación de WiFi está incorporada en el producto, permitiendo la comunicación del mismo con su teléfono inteligente para el monitoreo remoto, control y notificaciones. Para aprender más sobre las funciones del electrodoméstico conectado, y para saber qué aplicaciones de electrodomésticos conectados funcionarán con su teléfono inteligente, visite GEAppliances.com/connect. Para asistencia, llame al 1-800-220-6899.



Cómo Funciona

Descargue la Aplicación de GE Appliances



Use la aplicación para conectar su acondicionador de aire para sala al WiFi



Una vez conectada, use la aplicación para apagar su acondicionador de aire al salir del trabajo.



Puesta en marcha

A fin de conectar su acondicionador de aire para sala, necesitará la Aplicación de GE Appliances. La aplicación lo guiará a través del proceso de conexión. Descargue la aplicación de iTunes o Google Play.



Los datos de todos los electrodomésticos conectados son guardados en estricto cumplimiento con la Política de Privacidad de Datos de Conexión de GE Appliances. Para acceder a esta política, visite geappliances.com/privacy/privacy_policy_connected.

Preguntas acerca de U+ Connect

Acceda a respuestas necesarias sobre la configuración de electrodomésticos con WiFi y la conexión a su red hogareña a través de nuestros artículos de soporte.

Para acceder a los artículos de soporte la conexión wifi del acondicionador de aire para sala, visite products.geappliances.com/appliance/gea-support-search-content.

INFORMACIÓN REGULATORIA

Declaración de Cumplimiento con FCC/IC:

1. Este dispositivo no podrá causar interferencias perjudiciales.
2. Este dispositivo debe aceptar cualquier interferencia recibida, incluidas las interferencias que puedan provocar un funcionamiento no deseado.

Este equipo fue probado y cumple con los límites establecidos para un dispositivo digital de clase B, según la parte 15 de la Normativa de la FCC. Estos límites fueron diseñados para brindar una protección razonable contra interferencias nocivas en una instalación residencial. Este equipo genera, usa y puede emitir energía de radiofrecuencia y, si no se instala y utiliza de acuerdo con las instrucciones, puede ocasionar interferencias perjudiciales sobre las comunicaciones radiales. Sin embargo, no se garantiza que no se presenten interferencias en una instalación en particular. Si este equipo provoca interferencias perjudiciales para la recepción de radio o televisión, lo que puede comprobar encendiendo y apagando el equipo, se aconseja al usuario que intente corregir la interferencia a través de una o más de las siguientes medidas:

- Reoriente o reubique la antena receptora.

- Aumente la separación entre el equipo y el receptor.
- Conecte el equipo a un tomacorriente de un circuito diferente al tomacorriente al cual se encuentra conectado el receptor.
- Para solicitar ayuda, consulte al comerciante minorista o a un técnico experimentado de radio/ televisión.

Etiqueta: Las modificaciones sobre esta unidad no aprobadas expresamente por parte del fabricante podrían anular la autoridad del usuario para utilizar el equipo.

*Modelos Selectos Únicamente

Este producto tiene capacidad Wi-Fi y requiere conectividad a Internet y un enrutador inalámbrico para permitir la interconexión con un Sistema de administración de energía y / o con otros dispositivos, sistemas o aplicaciones externos.

El uso de Works con el logotipo de Apple HomeKit™ significa que un accesorio electrónico se ha diseñado para conectarse específicamente con iPod touch®, iPhone® o iPad®, respectivamente, y el desarrollador ha certificado que cumple con los estándares de rendimiento de Apple®. Apple no es responsable del funcionamiento de este dispositivo ni de su cumplimiento de las normas de seguridad y regulatorias.

Garantía de su acondicionador de aire—garantía limitada de un año.

Abroche su recibo aquí. Para acceder al servicio técnico de acuerdo con la garantía deberá contar con la prueba de la fecha original de compra.

Por el Período de:	Reemplazaremos:
Un Año Desde la fecha de la compra original	Reemplazo, reparación o reembolso del costo minorista original de cualquier producto que falle debido a un defecto en los materiales o la fabricación. Si la unidad es cambiada, la unidad de reemplazo posee garantía por el resto del período de la garantía original de un año sobre su producto. GE Appliances reemplazará, a su exclusivo criterio, el producto por otro de la misma o de una funcionalidad y calidad comparable o hará un reembolso por el precio minorista original.

A Fin de Realizar una Reclamo sobre la Garantía Durante los Primeros 90 Días desde la Fecha Original de Compra:

- **Embale la unidad correctamente. Le recomendamos usar la caja de cartón y los materiales de embalaje originales.**
- **Entregue el producto en la ubicación del vendedor minorista donde fue adquirido.**
- **Incluya en el paquete una copia del receptor de la venta u otro comprobante de la fecha de compra original. También escriba su nombre y domicilio y una descripción del defecto.**

A Fin de Realizar un Reclamo sobre la Garantía Durante el Resto de la Garantía de un Año:

- Ubique su recibo de venta original y haga una nota de su modelo y número de serie.
- Llame al 866.907.1655 (en Estados Unidos) para iniciar el proceso de reemplazo del producto.
- Se solicitará su nombre, domicilio, fecha de compra, y números de modelo y serie.
- GE Appliances hará arreglos para que se envíe una caja de cartón a su hogar para recuperar el producto.
- Por favor entregue todos los materiales solicitados (envío postal prepago) en la caja de cartón provista. Por favor incluya una descripción del defecto.
- Debería recibir el producto de reemplazo o un reembolso entre los 7 y 10 días hábiles una vez que hayamos recibido su paquete.

Qué No Será Cubierto:

- **Instrucción al cliente. Este manual del propietario brinda información relacionada con instrucciones de funcionamiento y controles del usuario.**
- **Instalación inadecuada. Si tiene un problema de instalación o el acondicionador de aire no posee la capacidad adecuada, contacte a su vendedor minorista o instalador. Usted es responsable de brindar instalaciones de conexión eléctrica adecuadas.**
- **Falla del producto como resultado de modificaciones sobre el mismo o debido a un uso irrazonable, incluyendo la falta de mantenimiento razonable o necesario.**
- **Reemplazo de fusibles del hogar o reinicio de disyuntores.**
- **Fallas como consecuencia de corrosión en modelos sin protección contra ésta.**
- **Daños ocasionados sobre el producto por nivel de suministro de voltaje inadecuado, accidente, incendio, inundaciones o catástrofes naturales.**
- **Daños consecuentes o incidentales causados por posibles defectos del acondicionador de aire.**
- **Daño causado después de la entrega.**

EXCLUSIÓN DE GARANTÍAS IMPLÍCITAS—Su única y exclusiva alternativa es la reparación del producto, como se indica en la Garantía Limitada. Las garantías implícitas, incluyendo garantías implícitas de comerciabilidad o conveniencia sobre un propósito particular, se limitan a un año o al período más corto permitido por la ley.

Para Clientes de EE.UU: Esta garantía limitada se extiende al comprador original y a cualquier dueño subsiguiente de productos comprados para uso hogareño dentro de EE.UU. Si el producto está en un área donde no se encuentra disponible un Proveedor Autorizado del Servicio Técnico de GE Appliances, usted será responsable por el costo de un viaje o se podrá requerir que traiga el producto a una ubicación del Servicio Técnico de GE Appliances Autorizado para recibir el servicio. En Alaska, la garantía limitada excluye el costo de envío o llamadas del servicio técnico a su hogar.

Algunos estados no permiten la exclusión o limitación de daños fortuitos o consecuentes. Esta garantía limitada le da derechos legales específicos y es posible que tenga otros derechos legales que varían entre un estado y otro. Para conocer cuáles son sus derechos legales, consulte a la oficina de asuntos del consumidor local o estatal o al Fiscal de su estado.

Garante en EE.UU:
GE Appliances, a Haier company
Louisville, KY 40225

Abroche su recibo aquí. Para acceder al servicio técnico de acuerdo con la garantía deberá contar con la prueba de la fecha original de compra.

Soporte al Cliente

GE Appliances Sitio Web

¿Desea realizar una consulta o necesita ayuda con su electrodoméstico? ¡Intente a través del Sitio Web de Electrodomésticos de GE Appliances las 24 horas del día, cualquier día del año! Usted también puede comprar más grandiosos productos de GE Appliances y sacar ventaja de todos nuestros servicios a través de Internet diseñados para su conveniencia.
En EE.UU.: GEAppliances.com

Registre su Electrodoméstico

¡Registre su electrodoméstico nuevo a través de Internet, según su conveniencia! Un registro puntual de su producto permitirá una mejor comunicación y un servicio más puntual de acuerdo con los términos de su garantía, en caso de surgir la necesidad. También puede enviar una carta en la tarjeta de inscripción pre-impresa que se incluye con el material embalado.
En EE.UU.: GEAppliances.com/register

Servicio Programado

El servicio de reparación de expertos de GE Appliances está a sólo un paso de su puerta. ¡Conéctese a través de Internet y programe su servicio a su conveniencia cualquier día del año! En EE.UU.: GEAppliances.com/service o llame al 800.432.2737 durante el horario comercial habitual.

Garantías Extendidas

Adquiera una garantía extendida de GE Appliances y aprenda sobre descuentos especiales que están disponibles mientras su garantía aún está vigente. La puede adquirir en cualquier momento a través de Internet. Los Servicios de GE Appliances aún estarán allí cuando su garantía caduque. En EE.UU.: GEAppliances.com/extended-warranty o llame al 800.626.2224 durante el horario comercial habitual.

Conectividad Remota

Para solicitar asistencia con la conectividad de red inalámbrica (para modelos con activación remota), visite nuestro sitio Web en GEAppliances.com/connect o llame al 800.220.6899 en EE.UU.

Piezas y Accesorios

Individuos calificados para realizar el servicio técnico de sus propios electrodomésticos podrán solicitar el envío de piezas o accesorios directamente a sus hogares (se aceptan las tarjetas VISA, MasterCard y Discover). Ordene a través de Internet hoy durante las 24 horas del día. En EE.UU.: GEApplianceparts.com o por teléfono al 877.959.8688 durante el horario comercial habitual.

Las instrucciones que figuran en este manual cubren los procedimientos que serán realizados por cualquier usuario. Otros servicios técnicos generalmente deberían ser derivados a personal calificado del servicio. Se deberá tener cuidado, ya que una reparación indebida podrá ocasionar que el funcionamiento no sea seguro.

Contáctenos

Si no se encuentra satisfecho con el servicio que recibió de GE Appliances, comuníquese con nosotros a través de nuestro sitio Web con todos los detalles, incluyendo su número telefónico, o escriba a:

En EE.UU.: General Manager, Customer Relations | GE Appliances, Appliance Park | Louisville, KY 40225
GEAppliances.com/contact