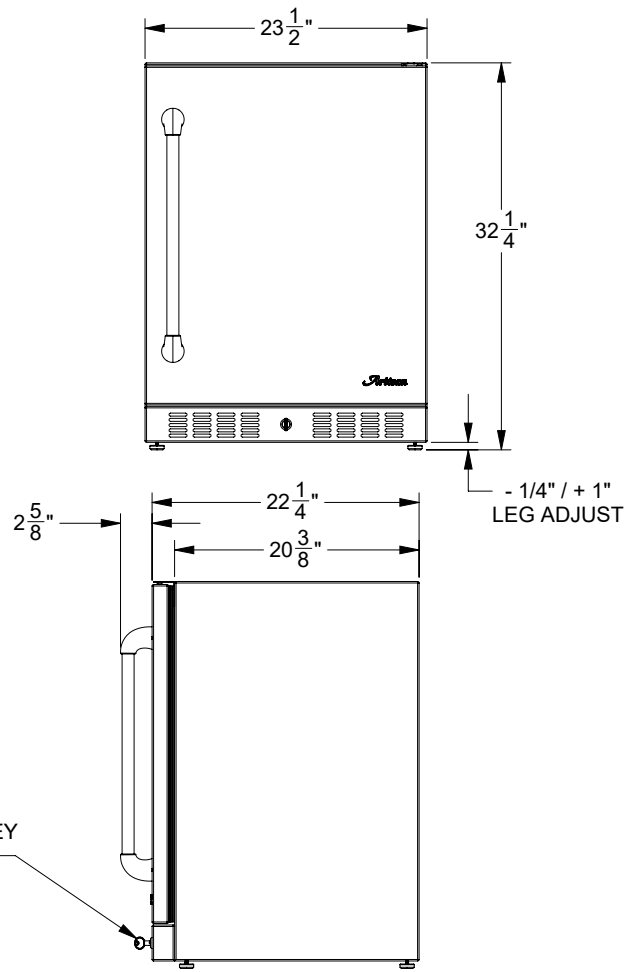
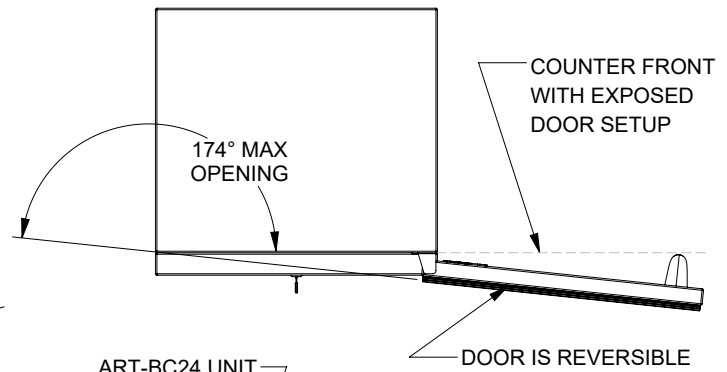


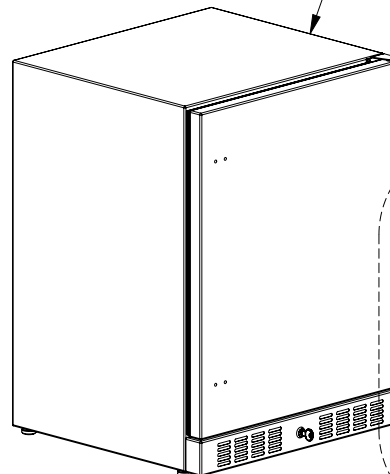
TYPICAL ART-BC24 INSTALLATION



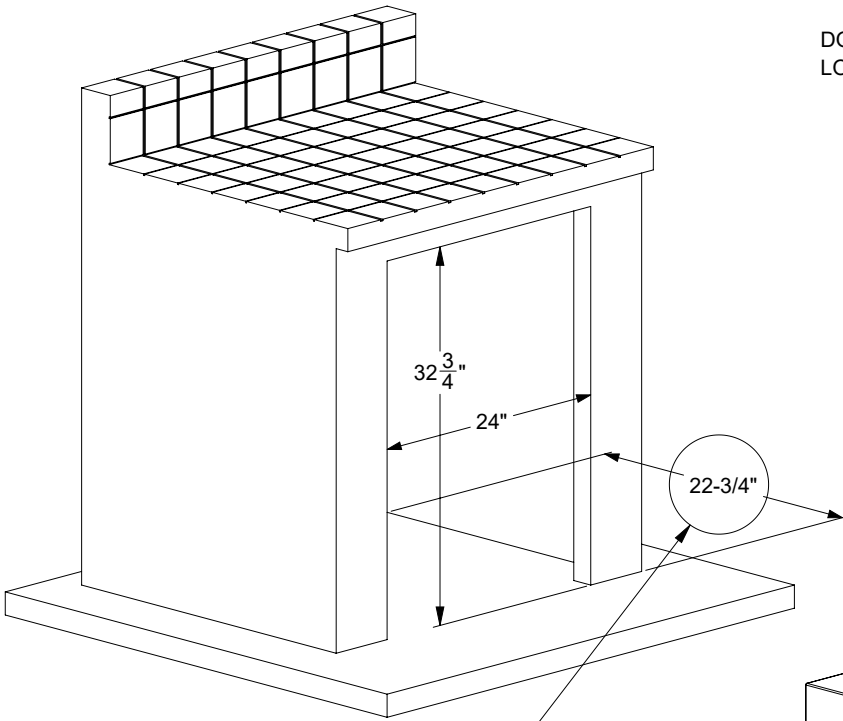
DOOR KEY LOCK



ART-BC24-KIT HANDLE AND LOGO ASSEMBLY KIT COMPONENTS SOLD SEPARATELY.



COUNTERFRONT CUTOUT



COUNTER DEPTH NOTE:

- 22-3/4" MINIMUM DEPTH FOR DOOR FLUSH MOUNTED TO COUNTER FRONT FINISH.
- 20-7/8" MINIMUM DEPTH FOR DOOR OUTSIDE OF COUNTER FRONT AND EXPOSED AS SHOWN ABOVE.

SPECIFICATIONS:

R-600a REFRIGERANT
 115 VAC - 1 Ø - 3W - 2.0 AMPS - 60 HZ.
 MOCPSD 15 AMPS.
 GROUNDING RECEPTACLE REQUIRED
 GFCI RECOMMENDED