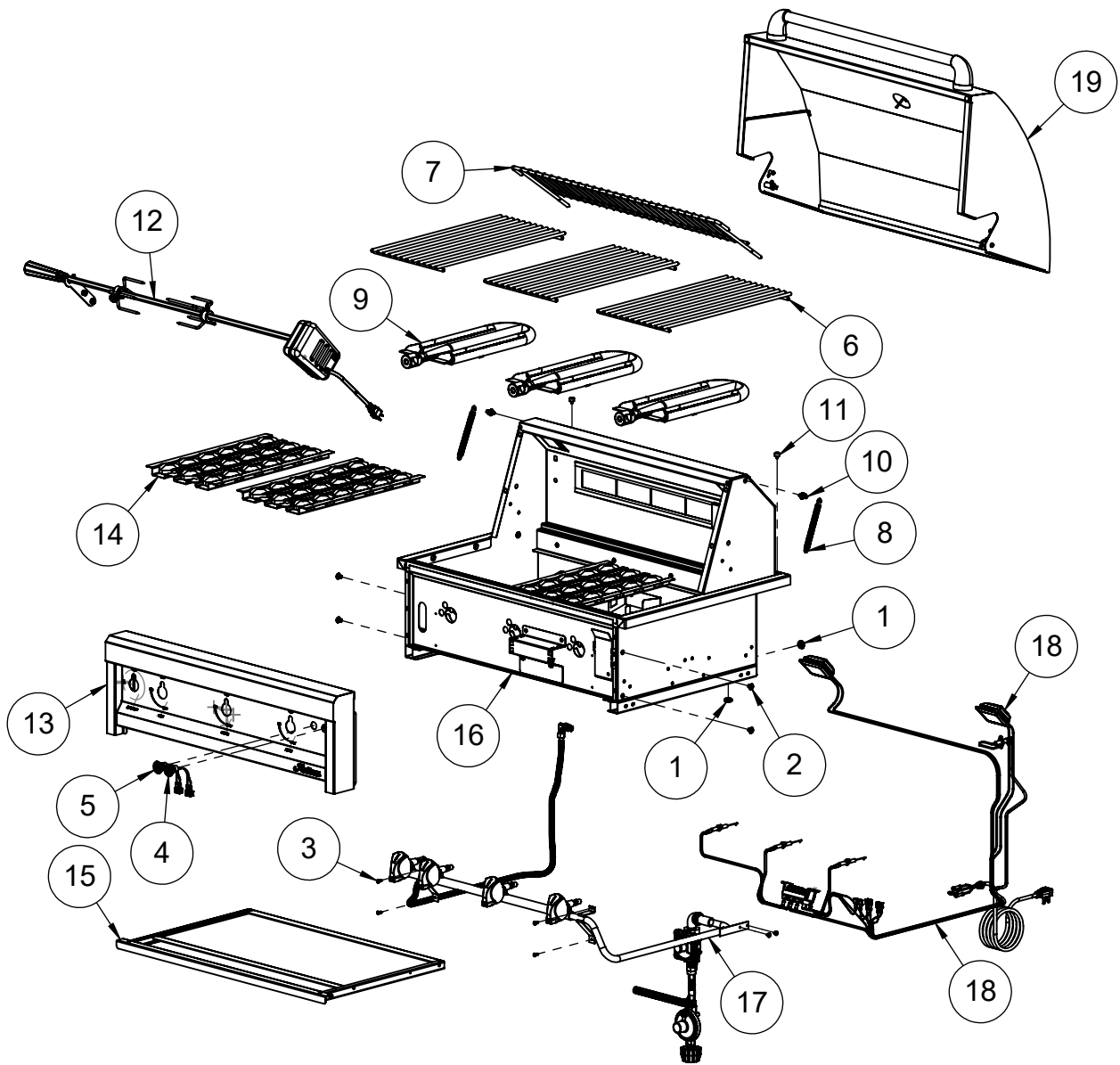


# Artisan



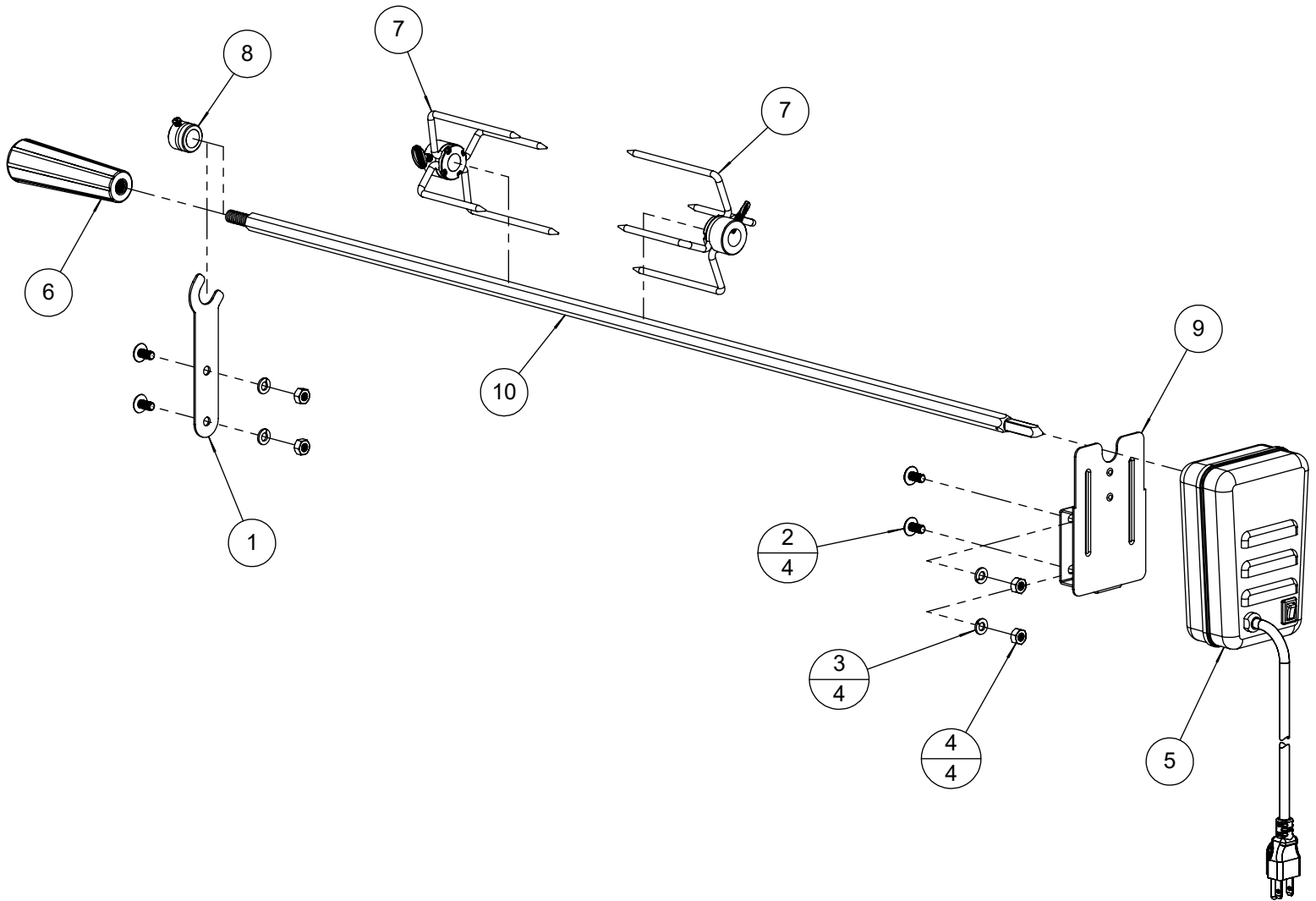
***ARTP-32 Parts Manual***  
***Serial Numbers 18-00000 forward***

| ITEM | PART NUMBER | DESCRIPTION                               | QTY |
|------|-------------|-------------------------------------------|-----|
| 1    | 200-0004    | GROMMET 9/16" OD, 1/16" MAT'L, 7/16" ID   | 2   |
| 2    | 200-0086    | 1/4-20 X 3/8 - TRUSS HEAD - PHILIPS SCREW | 4   |
| 3    | 200-0111    | SCREW 8-18 X 1/2 - SELF TAP - 410 SS      | 4   |
| 4    | 210-0583    | SWITCH - IGNITION - MOMENTARY [ON]/OFF    | 1   |
| 5    | 210-0584    | SWITCH - LIGHT - LATCHING [ON/OFF]        | 1   |
| 6    | 290-0323    | BBQ GRID - 9.8125" WIDE                   | 3   |
| 7    | 290-0360    | WARMING GRID                              | 1   |
| 8    | 290-0443    | SPRING TEMPERED- .513 OD x 4.875 L        | 2   |
| 9    | 290-0446    | U-BURNER                                  | 3   |
| 10   | 290-0447    | HOOD SPRING LATCH                         | 2   |
| 11   | 290-0469    | BUMPER 1/2" Ø x 5/16" H - 600 °F          | 2   |
| 12   | 510-0551    | ROTISSERIE KIT                            | 1   |
| 13   | 510-1020    | FRONT PANEL                               | 1   |
| 14   | 510-1025    | BRIQUETTE TRAY ASSEMBLY - 9-3/4"          | 3   |
| 15   | 510-1029    | GREASE TRAY ASSEMBLY                      | 1   |
| 16   | 510-1030    | MAIN BODY                                 | 1   |
| 17   | 510-1032    | GAS MANIFOLD                              | 1   |
| 18   | 510-1081    | ELECTRICAL ASSEMBLY                       | 1   |
| 19   | 510-1197    | FRONT HOOD WITH BUMPERS                   | 1   |



**BILL OF MATERIAL**

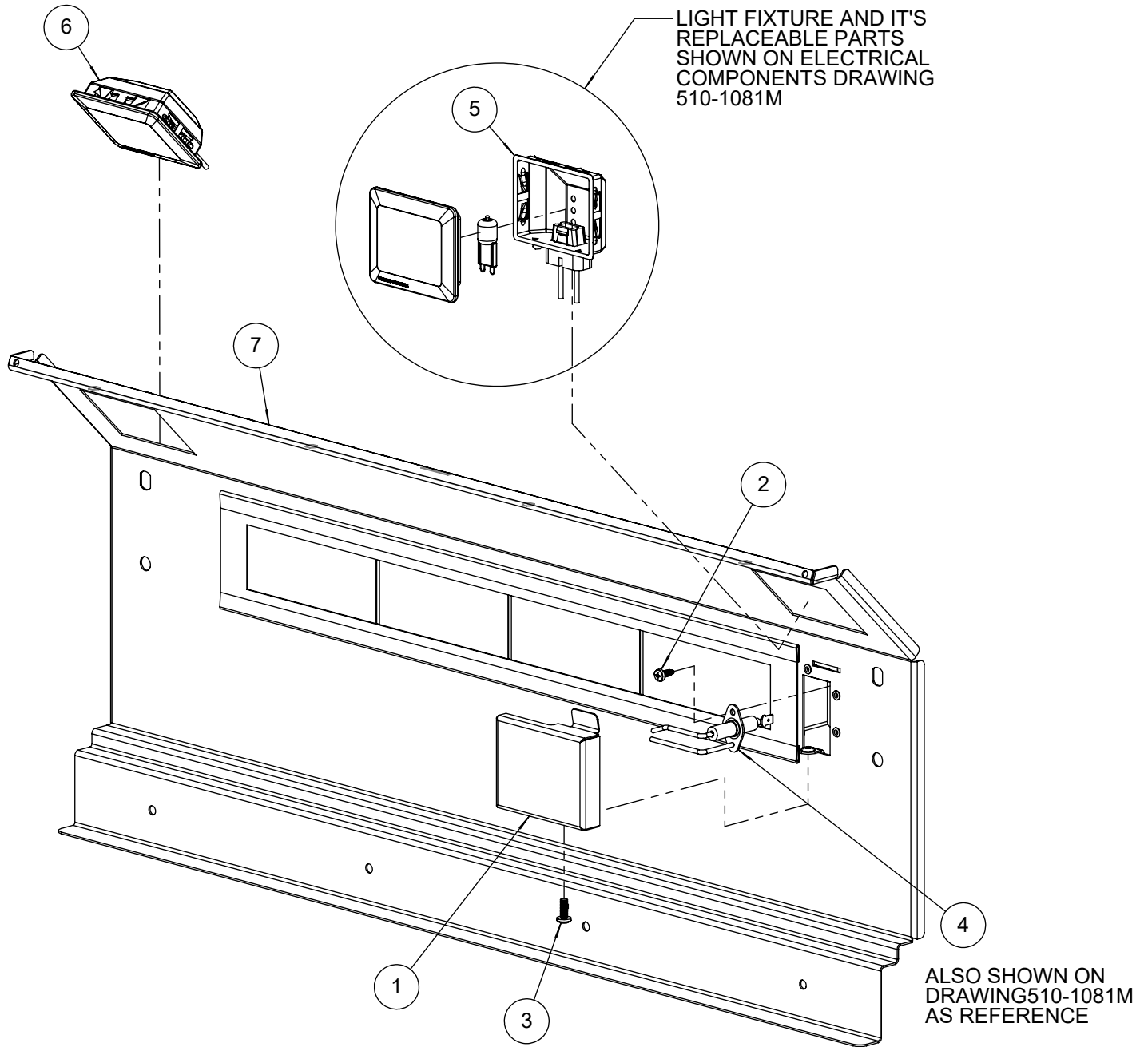
| NO. | PART #   | DESCRIPTION                                | QTY |
|-----|----------|--------------------------------------------|-----|
| 1   | 100-2366 | ROTISSERIE HOLDER BRACKET                  | 1   |
| 2   | 200-0057 | SCREW 1/4-20 X 1/2 - TRUSS HEAD - PHILLIPS | 4   |
| 3   | 200-0087 | WASHER - 1/4" SPRING LOCK- REGULAR - SS    | 4   |
| 4   | 200-0090 | 1/4-20 - DOUBLE CHAMFER - HEX NUT          | 4   |
| 5   | 210-0493 | ROTISSERIE MOTOR                           | 1   |
| 6   | 290-0330 | ROTISSERIE SPEAR HANDLE                    | 1   |
| 7   | 290-0331 | ROTISSERIE FORK ASSEMBLY                   | 2   |
| 8   | 290-0332 | ROTISSERIRE BUSHING ASSEMBLY               | 1   |
| 9   | 290-0333 | ROTISSERIE MOTOR MOUNT                     | 1   |
| 10  | 290-0335 | ROTISSERIE SPEAR 32"                       | 1   |



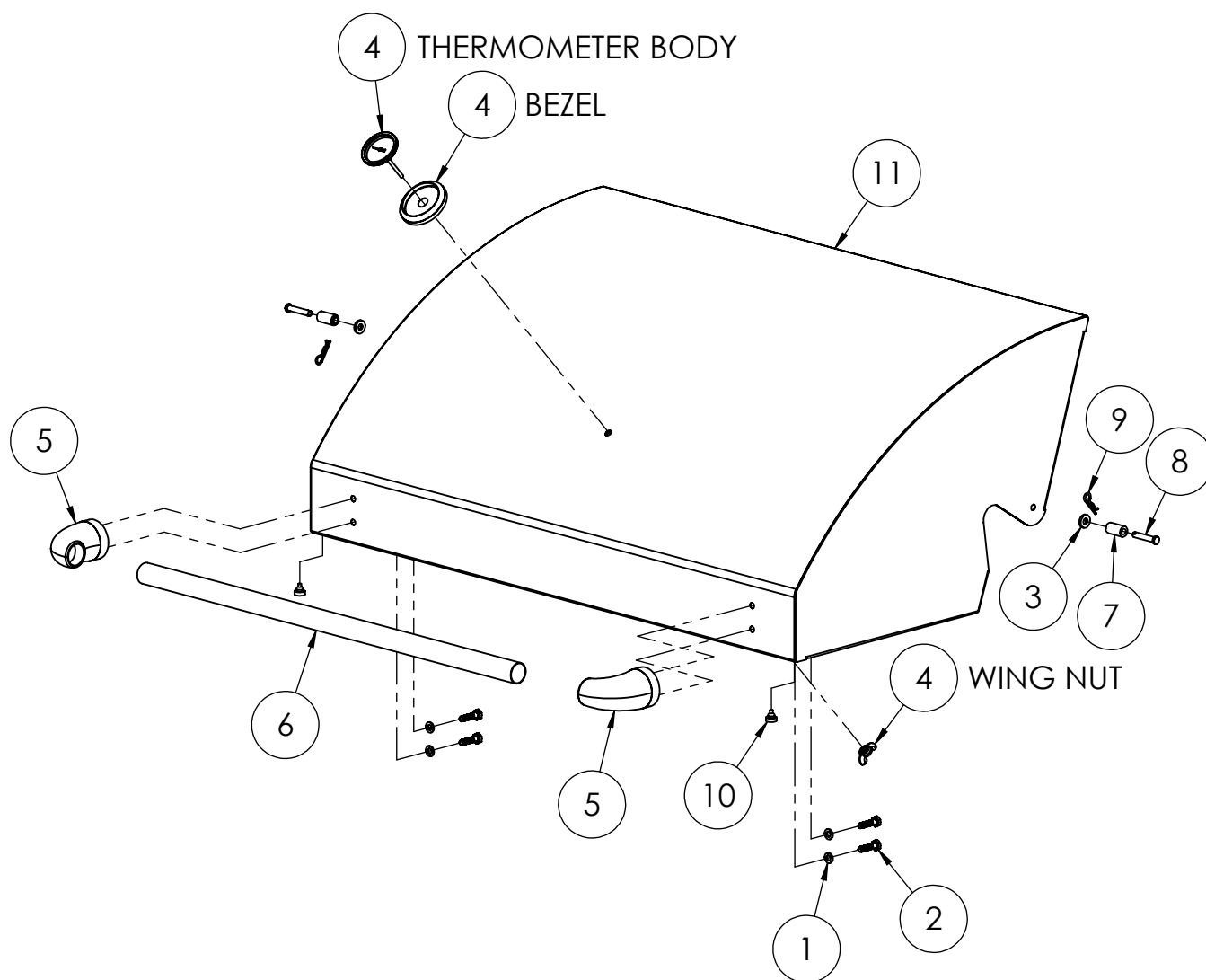
**A** ITEM NUMBER  
**B** QUANTITY

**BILL OF MATERIAL**

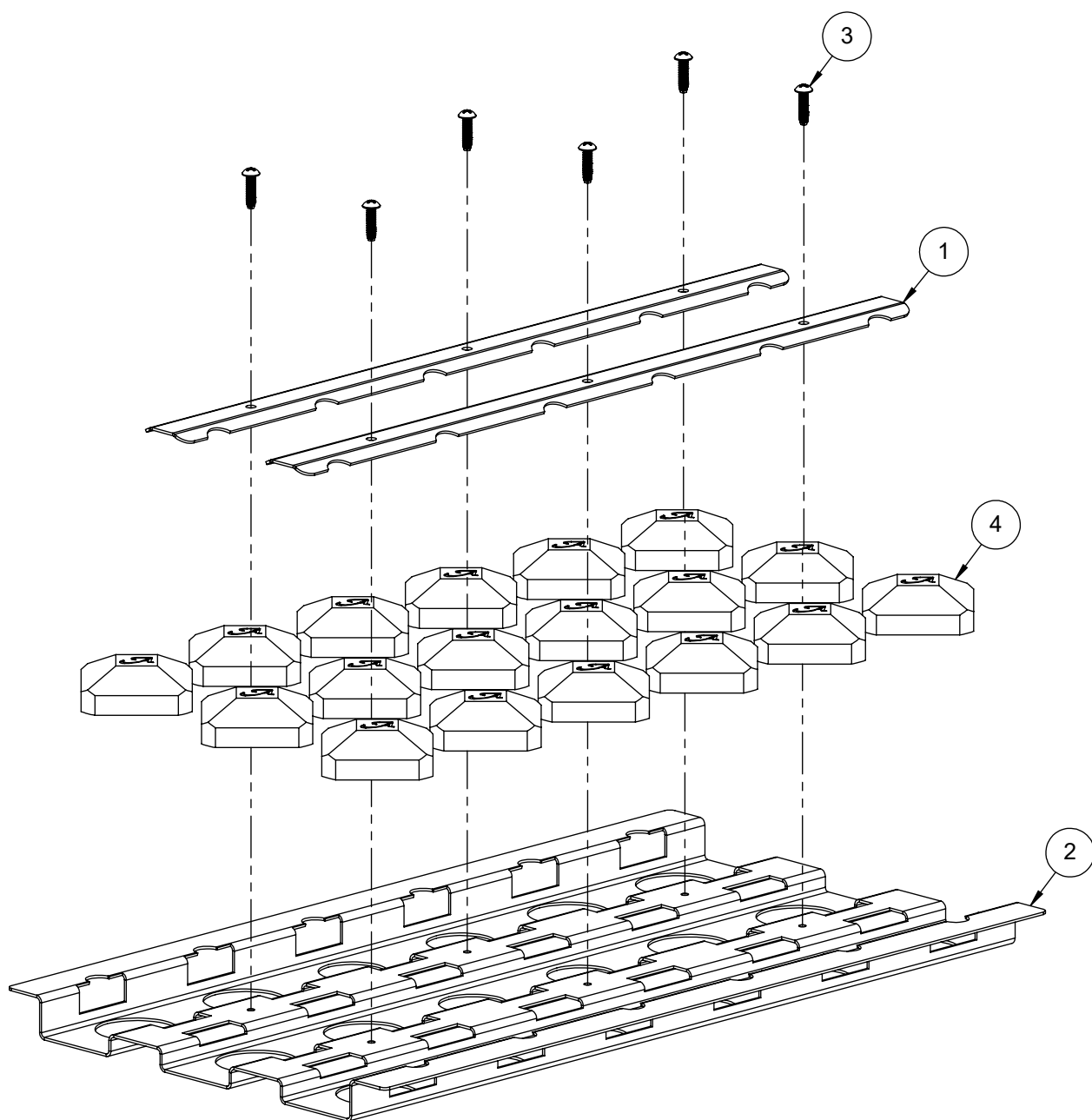
| NO. | PART #   | DESCRIPTION                                | QTY |
|-----|----------|--------------------------------------------|-----|
| 1   | 100-2363 | ROTISSERIE ELECTRODE COVER                 | 1   |
| 2   | 200-0111 | SCREW 8-18 X 1/2 - SELF TAP - 410 SS       | 1   |
| 3   | 200-0267 | 10-32 X 1/2 - PAN HEAD - PHILLIPS SCREW    | 1   |
| 4   | 210-0240 | ELECTRODE - DUAL TIP "L" SHAPE- ROTISSERIE | 1   |
| 5   | 210-0488 | LAMP FIXTURE ASSEMBLY - G9/120V/40W        | 1   |
| 6   | 210-0510 | LAMP FIXTURE ASSEMBLY - G9/120V/40W        | 1   |
| 7   | 510-0754 | ROTISSERIE BURNER PANEL - WELDED PARTS     | 1   |



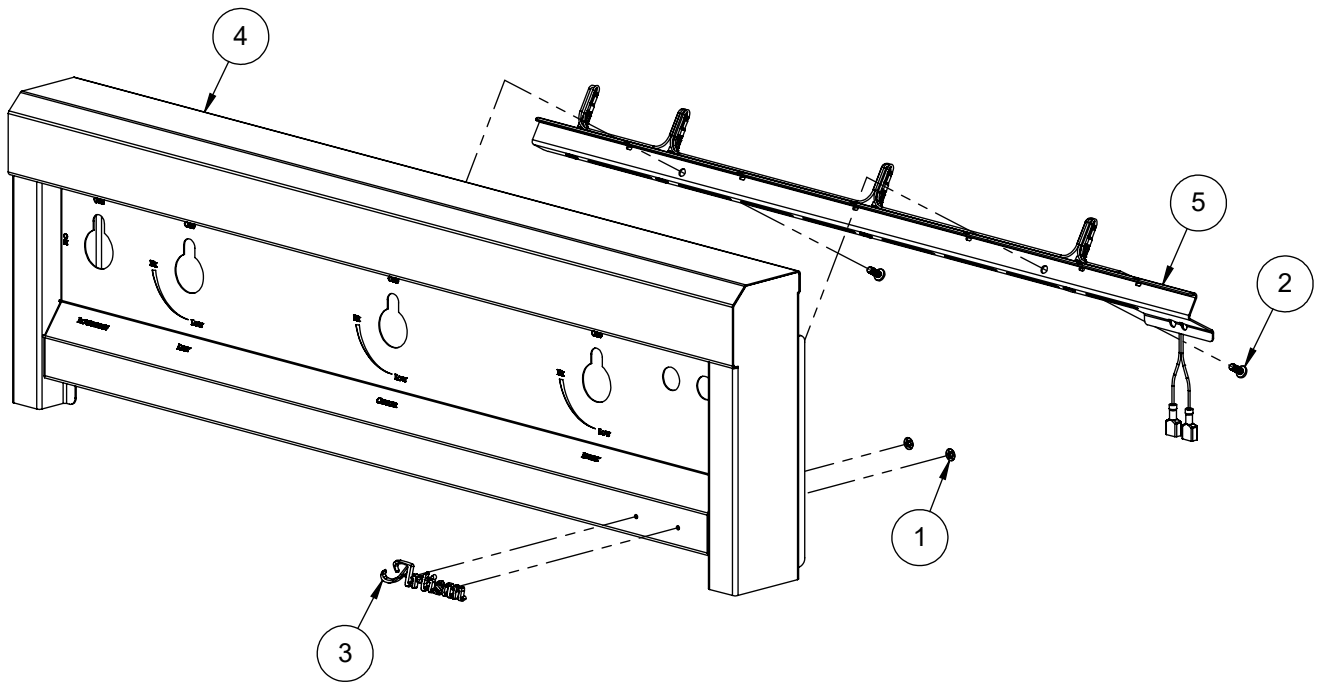
| ITEM | PART NUMBER | DESCRIPTION                                                    | QTY |
|------|-------------|----------------------------------------------------------------|-----|
| 1    | 200-0087    | WASHER - 1/4" SPRING LOCK- REGULAR - SS                        | 4   |
| 2    | 200-0091    | HH- HD - 1/4-20 x 1 x .75 THREAD                               | 4   |
| 3    | 200-0092    | 1/4 X 1/8 X 5/8 FLAT WASHER - SPACER                           | 2   |
| 4    | 210-0490    | THERMOMETER ASSEMBLY                                           | 1   |
| 5    | 290-0063    | HANDLE - END CAP ASSEMBLY                                      | 2   |
| 6    | 290-0316    | 32" BBQ FRONT HOOD HANDLE BAR                                  | 1   |
| 7    | 290-0444    | SPACER - 1/2" OD x 1/4" ID                                     | 2   |
| 8    | 290-0445    | CLEVIS PIN - 1/4"Ø x 1-3/8                                     | 2   |
| 9    | 290-0448    | COTTER PIN - HAIRPIN 1/4" ~ 3/8" Pin Ø x 1-1/4" L x 5/64" WIRE | 2   |
| 10   | 290-0465    | Bumper 600°F 1/2" dia x 5/32" head                             | 2   |
| 11   | 510-1198    | FRONT HOOD - WELDED PARTS - W/BUMPER                           | 1   |



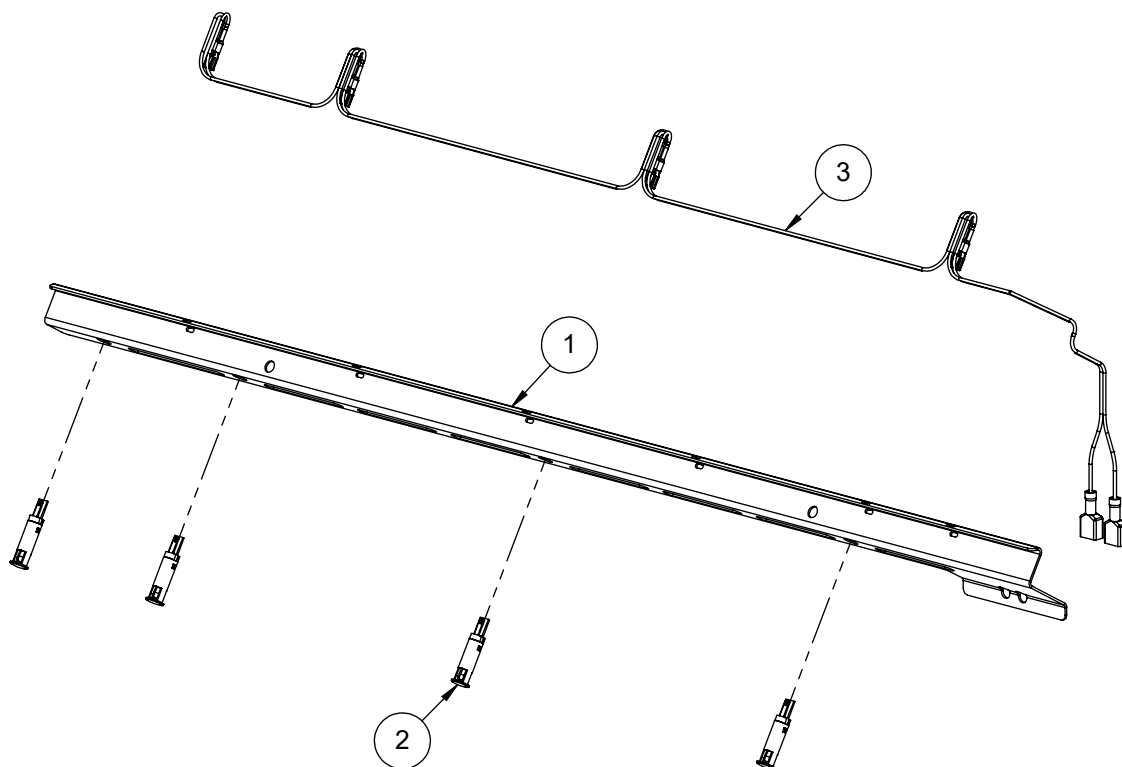
| ITEM | PART NUMBER | DESCRIPTION                                                | QTY |
|------|-------------|------------------------------------------------------------|-----|
| 1    | 100-1895    | BRIQUETTE LOCK BAR                                         | 2   |
| 2    | 100-2669    | BRIQUETTE TRAY BASE - 9-5/8" WIDE                          | 1   |
| 3    | 200-0314    | SCREW 8-32 x 5/8", PAN HEAD, PHILLIPS THREAD CUTTER TYPE F | 6   |
| 4    | 265-0005    | CERAMIC BRIQUETTE W/ LOGO                                  | 18  |



| ITEM | PART NUMBER | DESCRIPTION                                 | QTY |
|------|-------------|---------------------------------------------|-----|
| 1    | 200-0093    | WASHER - PUSH LOCK 1/8" ID X 3/8" OD (LOGO) | 2   |
| 2    | 200-0267    | 10-32 X 1/2 - PAN HEAD - PHILLIPS SCREW     | 2   |
| 3    | 290-0356    | ARTISAN LOGO                                | 1   |
| 4    | 510-1021    | FRONT PANEL - WELDED PARTS                  | 1   |
| 5    | 510-1027    | FRONT PANEL - LIGHT ASSEMBLY                | 1   |

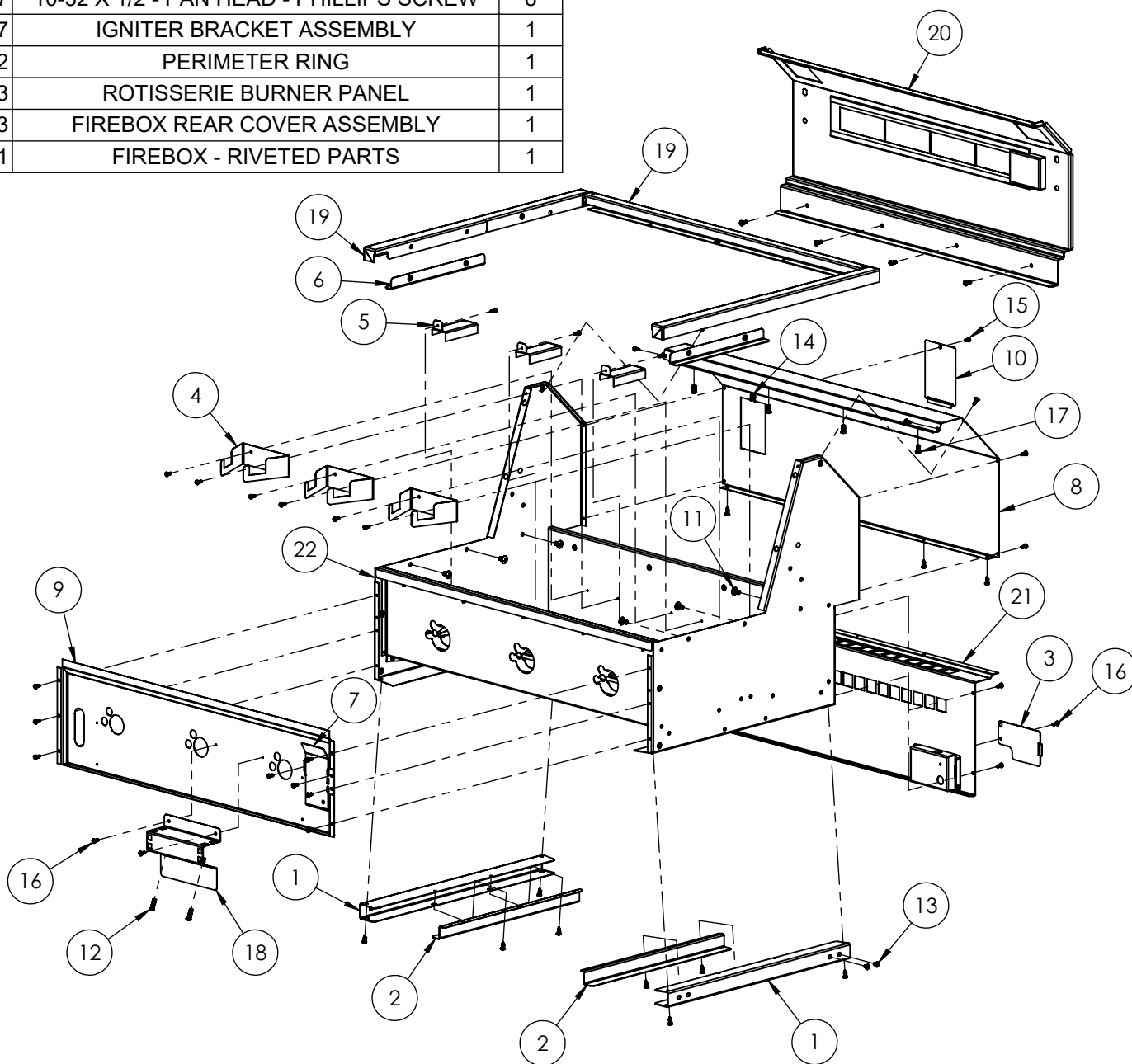


| ITEM | PART NUMBER | DESCRIPTION                            | QTY |
|------|-------------|----------------------------------------|-----|
| 1    | 100-2677    | FRONT PANEL LIGHT BRACKET              | 1   |
| 2    | 210-0624    | Pilot Light - Blue LED, 8mm Ø, 110 VAC | 4   |
| 3    | 210-0629    | FRONT PANEL LIGHTING HARNESS           | 1   |





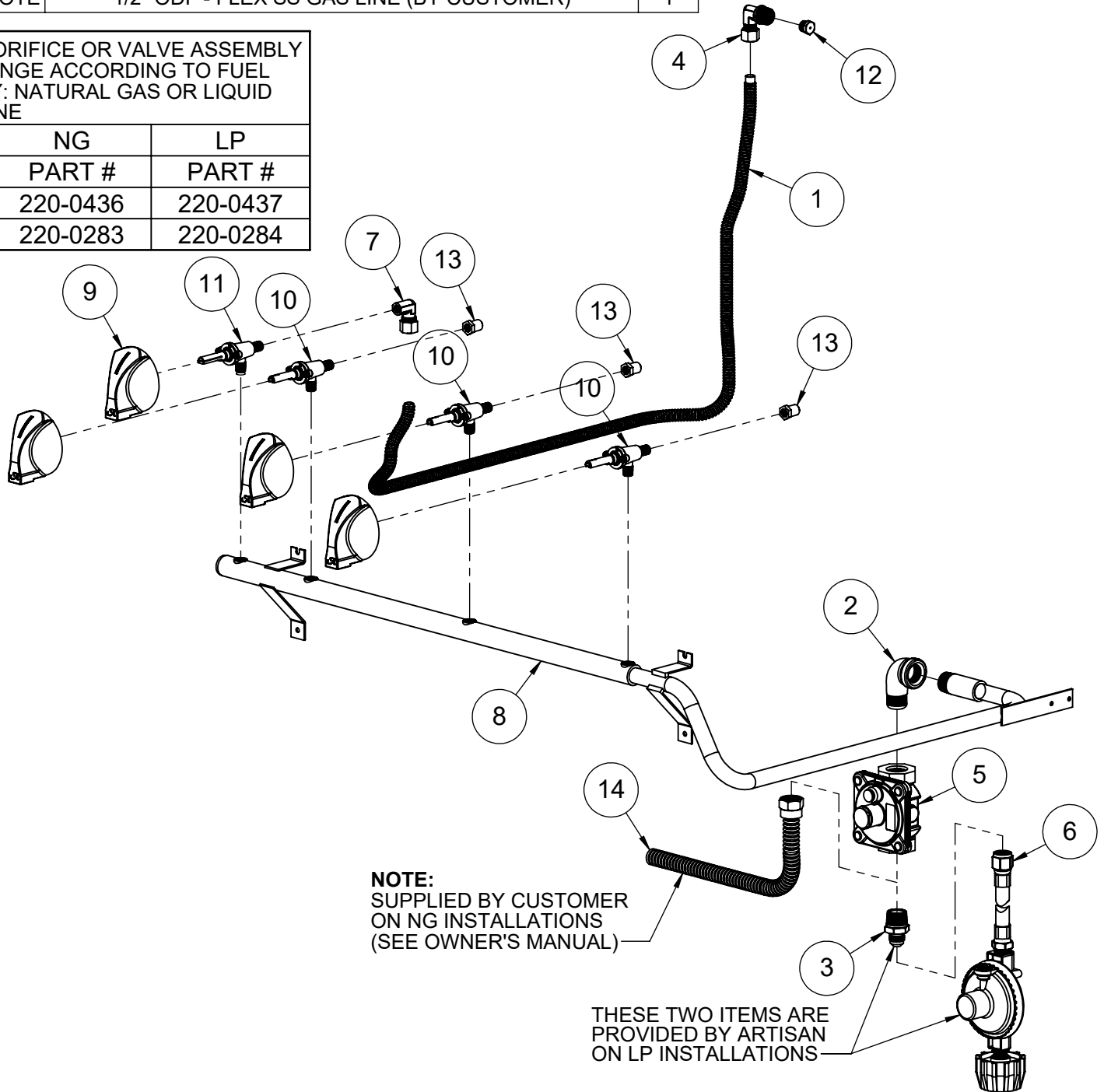
| ITEM | PART #   | DESCRIPTION                                 | QTY |
|------|----------|---------------------------------------------|-----|
| 1    | 100-2024 | FIREBOX TRAY SLIDE PART-A                   | 2   |
| 2    | 100-2025 | FIREBOX TRAY SLIDE PART-B                   | 2   |
| 3    | 100-2370 | ELECTRICAL BOX COVER                        | 1   |
| 4    | 100-2373 | BURNER BRACKET                              | 3   |
| 5    | 100-2374 | IGNITER COVER - STANDARD                    | 3   |
| 6    | 100-2378 | PERIMETER RING BRACKET                      | 2   |
| 7    | 100-2666 | BUTTONS SHIELD - BRACKET                    | 1   |
| 8    | 100-2672 | BACK HOOD - REAR COVER                      | 1   |
| 9    | 100-2675 | FIREWALL                                    | 1   |
| 10   | 150-2335 | IR ORIFICE ACCESS COVER                     | 1   |
| 11   | 200-0057 | SCREW 1/4-20 X 1/2 - TRUSS HEAD - PHILLIPS  | 6   |
| 12   | 200-0062 | 10-32 X 3/4 - PAN HEAD - PHILLIPS SCREW     | 2   |
| 13   | 200-0082 | 10-32 X 1/4 - PAN HEAD - PHILIPS SCREW      | 2   |
| 14   | 200-0084 | 8-32 TINNEMAN® TYPE NUT - "J" CLIP          | 1   |
| 15   | 200-0100 | SCREW 8-32 X 3/8" - PAN HEAD - PHILIPS - SS | 1   |
| 16   | 200-0111 | SCREW 8-18 X 1/2 - SELF TAP - 410 SS        | 46  |
| 17   | 200-0267 | 10-32 X 1/2 - PAN HEAD - PHILLIPS SCREW     | 8   |
| 18   | 510-0747 | IGNITER BRACKET ASSEMBLY                    | 1   |
| 19   | 510-0752 | PERIMETER RING                              | 1   |
| 20   | 510-0753 | ROTISSERIE BURNER PANEL                     | 1   |
| 21   | 510-0833 | FIREBOX REAR COVER ASSEMBLY                 | 1   |
| 22   | 510-1031 | FIREBOX - RIVETED PARTS                     | 1   |



| ITEM | PART NO. | DESCRIPTION                                            | QTY |
|------|----------|--------------------------------------------------------|-----|
| 1    | 100-1949 | ROTISSERIE LINE - 36" L x 3/8" ID                      | 1   |
| 2    | 200-0274 | ELBOW 90° - CAST IRON - 1/2" FPT x 1/2" MPT            | 1   |
| 3    | 220-0275 | NIPPLE - 1/2" MPT X 3/8" OD FL                         | 1   |
| 4    | 220-0276 | ELBOW .375 MPT x .375 COMP                             | 1   |
| 5    | 220-0280 | REGULATOR GAS - MAXITROL RV48CL440002                  | 1   |
| 6    | 220-0301 | REGULATOR - LP GAS W/36" HOSE - CONN. GREEN            | 1   |
| 7    | 220-0399 | ELBOW 1/8-27 FPT x 3/8" Ø COMPRESSION                  | 1   |
| 8    | 220-0469 | GAS MANIFOLD - ARTP-32                                 | 1   |
| 9    | 290-0030 | GAS KNOB WITH "A" LOGO                                 | 4   |
| 10   | 290-0320 | VALVE - GAS - VARIABLE FLOW - 1/8-27 MPT X 1/8-27 NPTS | 3   |
| 11   | 290-0321 | VALVE - GAS - [ON/OFF] FLOW - 1/8-27 MPT X 1/8-27 NPTS | 1   |
| 12   | SEE NOTE | ORIFICE - IR ROTISSERIE UNIT (SEE NOTE FOR SIZING)     | 1   |
| 13   | SEE NOTE | ORIFICE - MAIN BURNER - (SEE NOTE FOR SIZING)          | 3   |
| 14   | SEE NOTE | 1/2" ODF - FLEX SS GAS LINE (BY CUSTOMER)              | 1   |

**NOTE:** ORIFICE OR VALVE ASSEMBLY TO CHANGE ACCORDING TO FUEL SUPPLY: NATURAL GAS OR LIQUID PROPANE

| ITEM | NG       | LP       |
|------|----------|----------|
|      | PART #   | PART #   |
| 12   | 220-0436 | 220-0437 |
| 13   | 220-0283 | 220-0284 |



**NOTE:**  
SUPPLIED BY CUSTOMER  
ON NG INSTALLATIONS  
(SEE OWNER'S MANUAL)

THESE TWO ITEMS ARE  
PROVIDED BY ARTISAN  
ON LP INSTALLATIONS

| ITEM | PART NUMBER | DESCRIPTION                                 | QTY |
|------|-------------|---------------------------------------------|-----|
| 1    | 210-0541    | IGNITER WIRE KIT                            | 1   |
| 2    | 210-0465    | IGNITER MODULE (4 POINTS)                   | 1   |
| 3    | 210-0240    | ELECTRODE - DUAL TIP "L" SHAPE- ROTISSERIE  | 1   |
| 4    | 200-0009    | HEYCO STRESS RELIEF BUSHING # 1200 SR 6N3-4 | 1   |
| 5    | 210-0640    | HARNESS                                     | 1   |
| 6    | 210-0491    | U-BURNER ELECTRODE TIP                      | 3   |
| 7    | 210-0499    | NEMA 5-15 - 90° PLUG 18/3                   | 1   |
| 8    | 210-0488    | LAMP FIXTURE ASSEMBLY - G9/120V/40W         | 1   |
| 9    | 210-0510    | LAMP FIXTURE ASSEMBLY - G9/120V/40W         | 1   |

