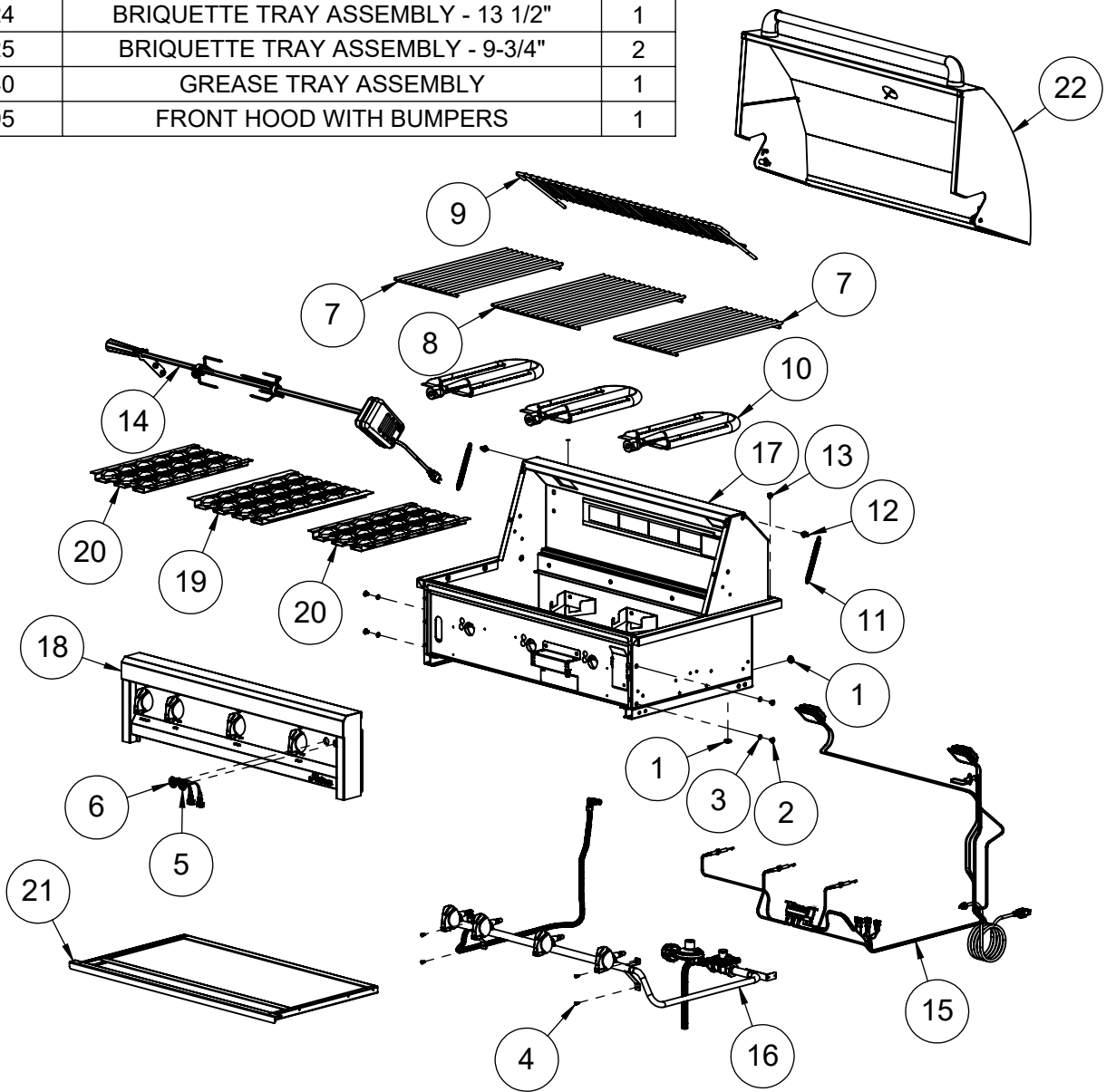


Artisan



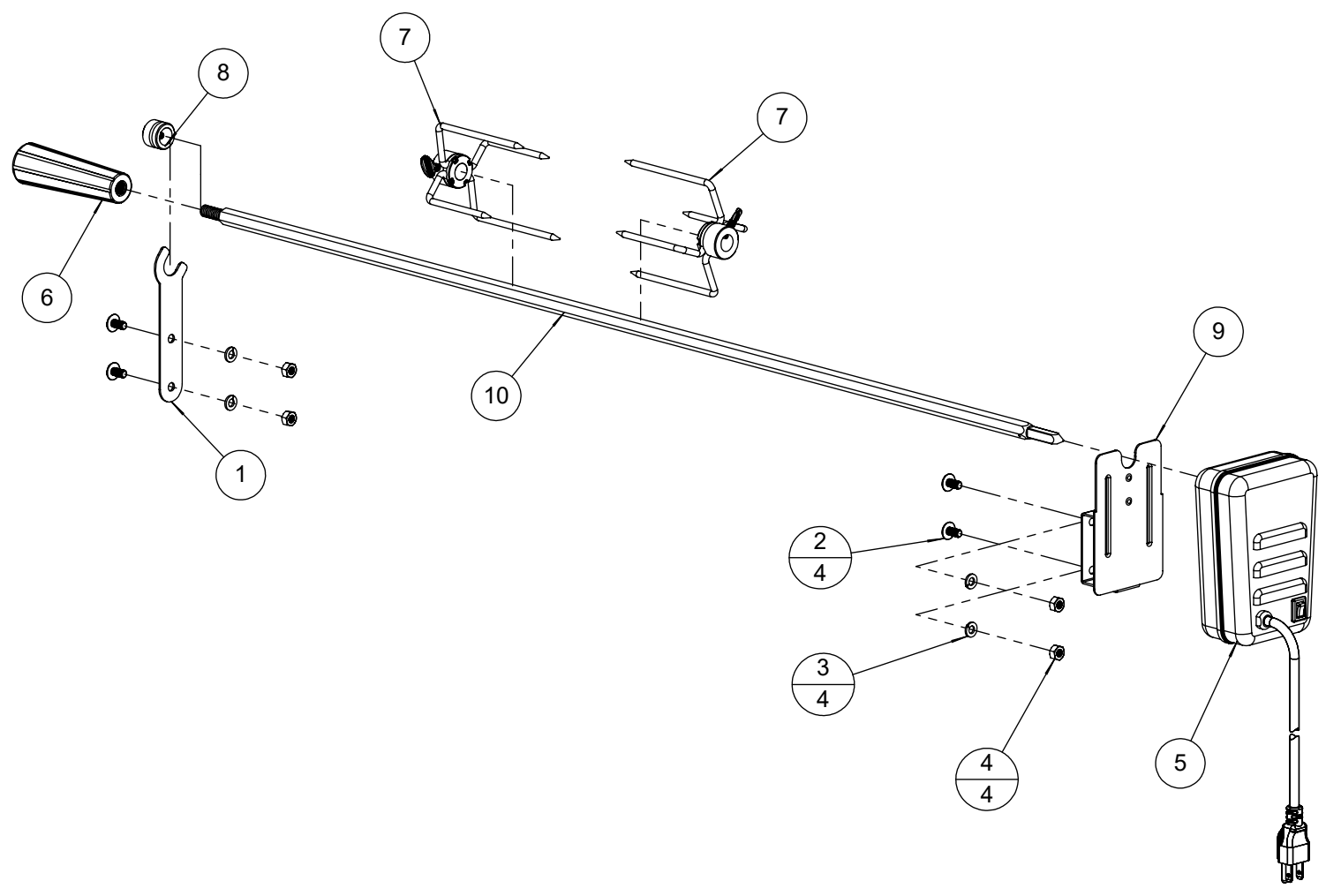
ARTP-36 Parts Manual
Serial Numbers 18-00000 forward

ITEM	PART NUMBER	DESCRIPTION	QTY
1	200-0004	GROMMET 9/16" ID, 1/16" MAT'L, 7/16" ID	2
2	200-0086	1/4-20 X 3/8 - TRUSS HEAD - PHILIPS SCREW	4
3	200-0087	WASHER - 1/4" SPRING LOCK- REGULAR - SS	4
4	200-0111	SCREW 8-18 X 1/2 - SELF TAP - 410 SS	4
5	210-0583	SWITCH - IGNITION - MOMENTARY [ON]/OFF	1
6	210-0584	SWITCH - LIGHT - LATCHING [ON/OFF]	1
7	290-0323	BBQ GRID - 9.8125" WIDE	2
8	290-0324	BBQ GRID - 13.8125" WIDE	1
9	290-0354	WARMING GRID	1
10	290-0355	U-BURNER	3
11	290-0443	SPRING TEMPERED- .513 OD x 4.875 L	2
12	290-0447	HOOD SPRING LATCH	2
13	290-0469	BUMPER 1/2" Ø x 5/16" H - 600 °F	2
14	510-0552	ROTISSERIE KIT	1
15	510-0766	ELECTRICAL COMP. SEE PART DWG.	1
16	510-0767	GAS MANIFOLD - SEE PARTS DWG.	1
17	510-1011	MAIN BODY - SEE PARTS DWG.	1
18	510-1022	FRONT PANEL	1
19	510-1024	BRIQUETTE TRAY ASSEMBLY - 13 1/2"	1
20	510-1025	BRIQUETTE TRAY ASSEMBLY - 9-3/4"	2
21	510-1040	GREASE TRAY ASSEMBLY	1
22	510-1195	FRONT HOOD WITH BUMPERS	1



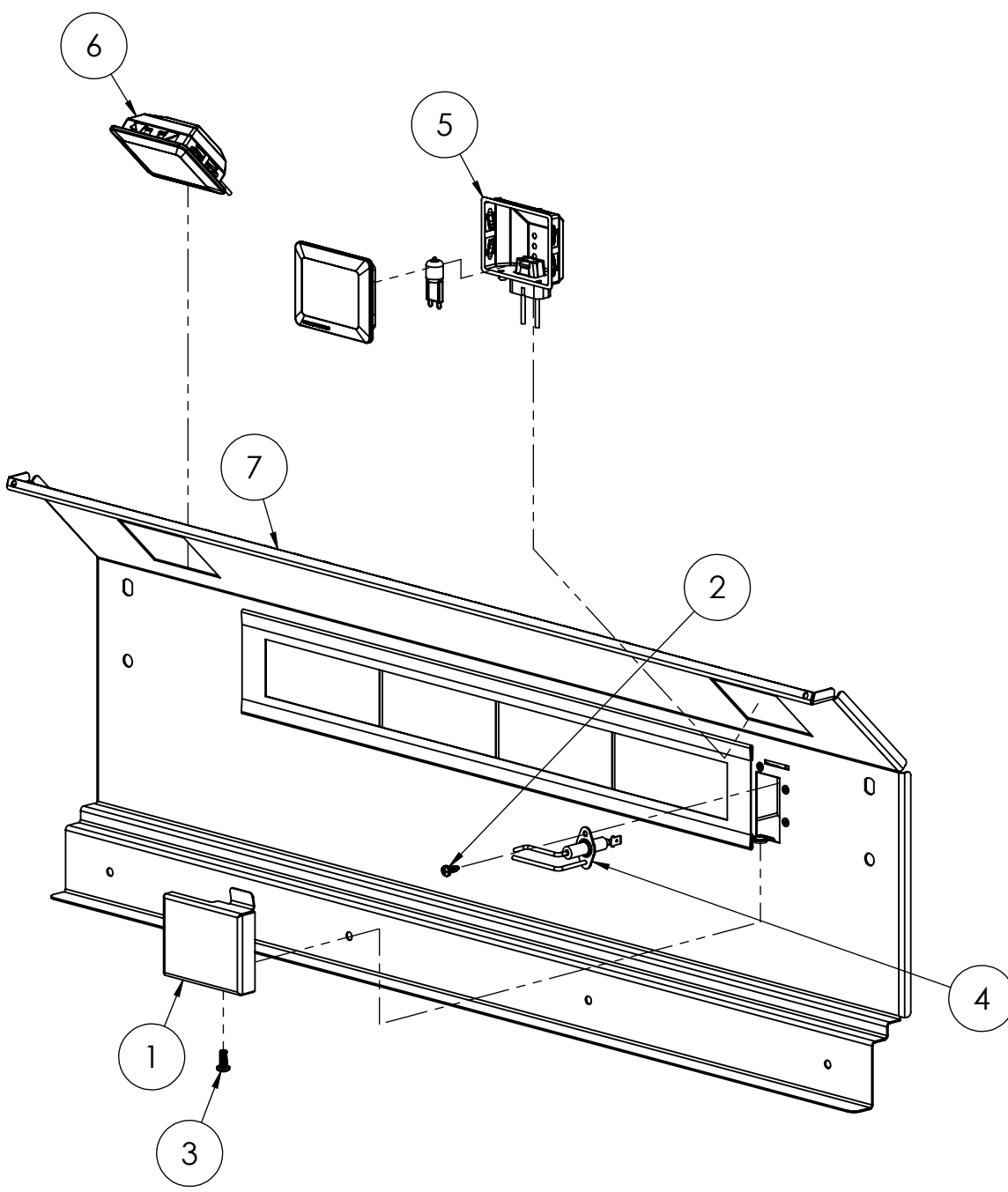
BILL OF MATERIALS

ITEM	PART N°	DESCRIPTION	QTY
1	100-2366	ROTISSERIE HOLDER BRACKET	1
2	200-0057	SCREW 1/4-20 X 1/2 - TRUSS HEAD - PHILLIPS	4
3	200-0087	WASHER - 1/4" SPRING LOCK- REGULAR - SS	4
4	200-0090	1/4-20 - DOUBLE CHAMFER - HEX NUT	4
5	210-0493	ROTISSERIE MOTOR	1
6	290-0330	ROTISSERIE SPEAR HANDLE	1
7	290-0331	ROTISSERIE FORK ASSEMBLY	2
8	290-0332	ROTISSERIE BUSHING ASSEMBLY	1
9	290-0333	ROTISSERIE MOTOR MOUNT	1
10	290-0336	ROTISSERIE SPEAR 36"	1

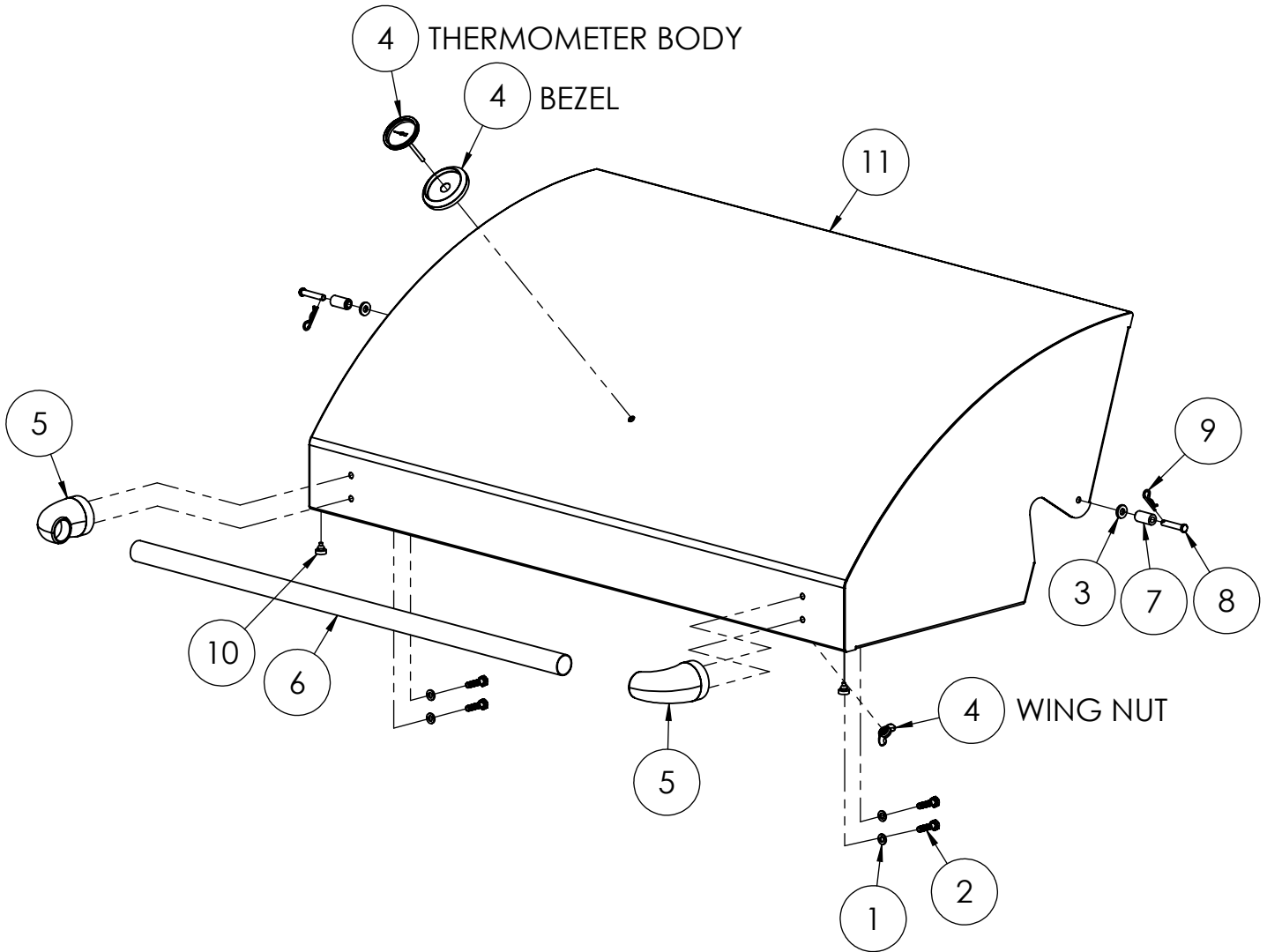


A ITEM NUMBER
B QUANTITY

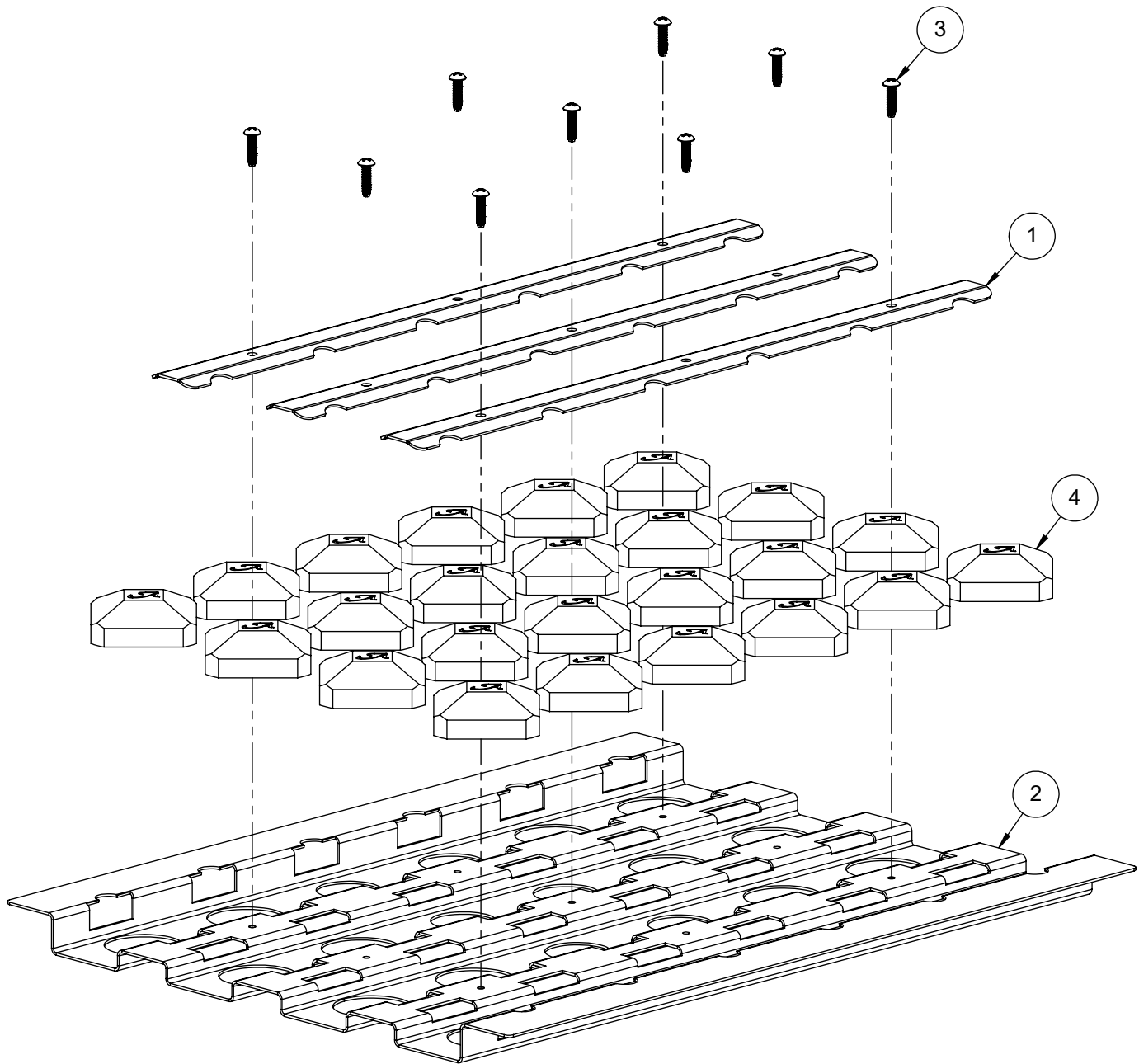
ITEM	PART NUMBER	DESCRIPTION	QTY
1	100-2363	ROTISSERIE ELECTRODE COVER	1
2	200-0111	SCREW 8-18 X 1/2 - SELF TAP - 410 SS	1
3	200-0267	10-32 X 1/2 - PAN HEAD - PHILLIPS SCREW	1
4	210-0240	ELECTRODE - DUAL TIP "L" SHAPE- ROTISSERIE	1
5	210-0488	LAMP FIXTURE ASSEMBLY - G9/120V/40W	1
6	210-0510	LAMP FIXTURE ASSEMBLY - G9/120V/40W	1
7	510-1226	ROTISSERIE PANEL - WELDED PARTS	1



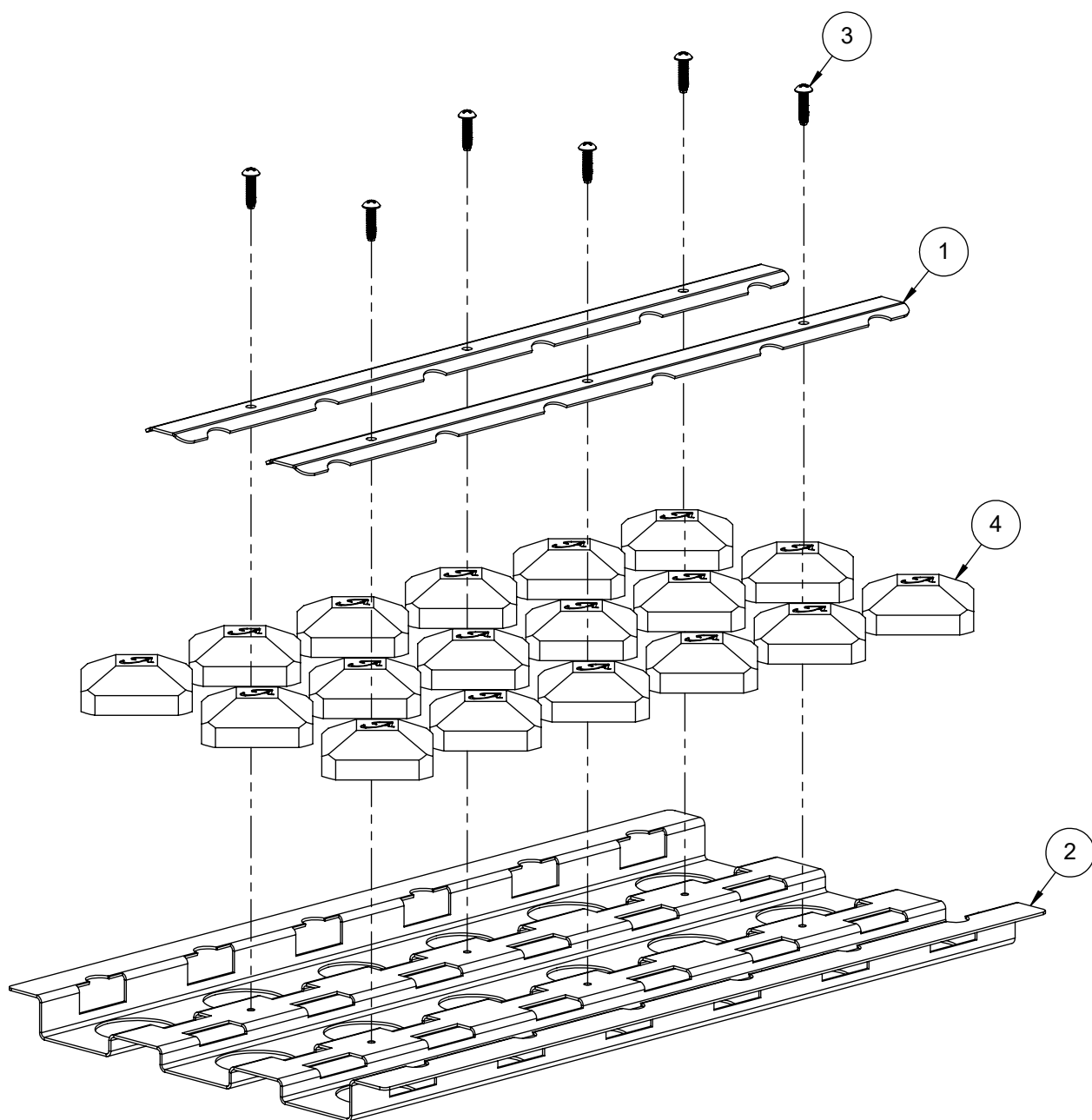
ITEM	PART NUMBER	DESCRIPTION	QTY
1	200-0087	WASHER - 1/4" SPRING LOCK- REGULAR - SS	4
2	200-0091	HH- HD - 1/4-20 x 1 x .75 THREAD	4
3	200-0092	1/4 X 1/8 X 5/8 FLAT WASHER - SPACER	2
4	210-0490	THERMOMETER ASSEMBLY	1
5	290-0063	HANDLE - END CAP ASSEMBLY	2
6	290-0328	ARTISAN 36" BBQ - FRONT HOOD HANDLE BAR	1
7	290-0444	SPACER - 1/2" OD x 1/4" ID	2
8	290-0445	CLEVIS PIN - 1/4"Ø x 1-3/8	2
9	290-0448	COTTER PIN - HAIRPIN 1/4" ~ 3/8" Pin Ø x 1-1/4" L x 5/64" WIRE	2
10	290-0465	BUMPER 600°F 1/2" DIA x 5/32" HEAD	2
11	510-1196	FRONT HOOD - WELDED PARTS - W/BUMPER	1



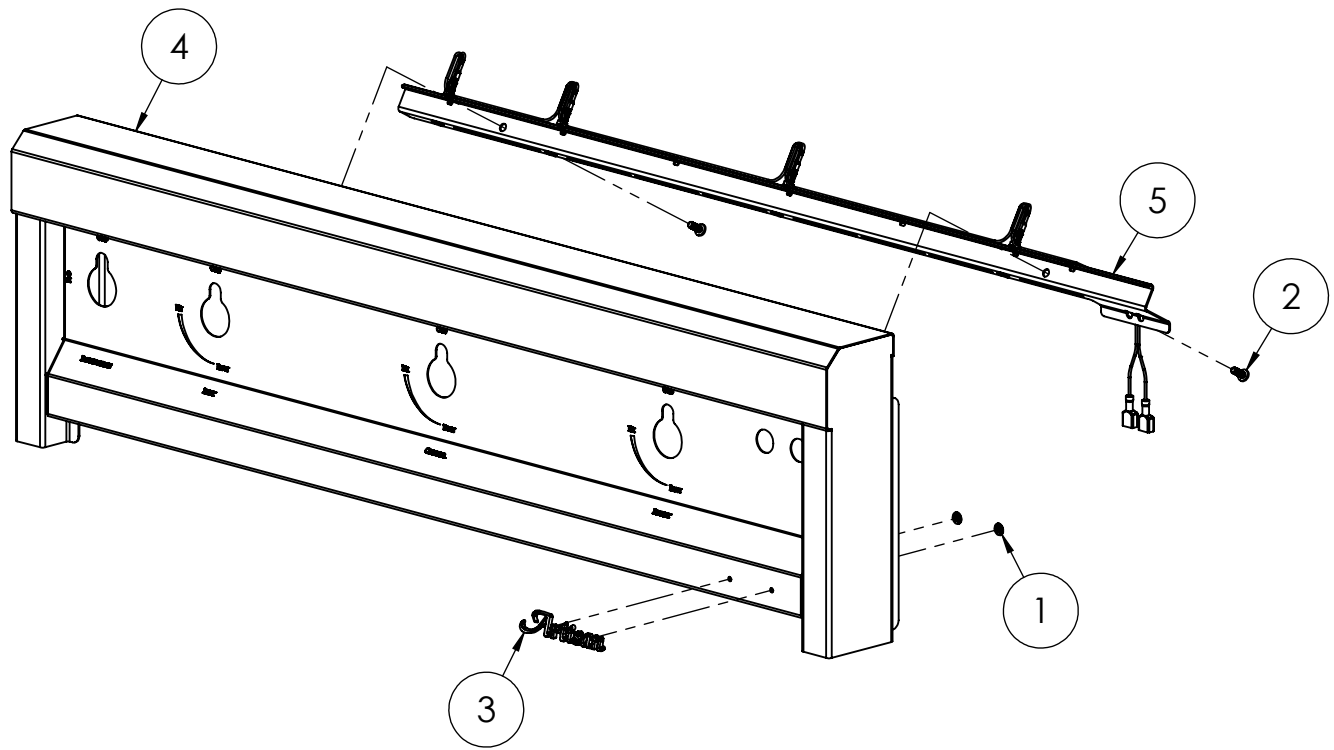
ITEM	PART NUMBER	DESCRIPTION	QTY
1	100-1895	BRIQUETTE LOCK BAR	3
2	100-2668	BRIQUETTE TRAY BASE - 13 1/2" WIDE	1
3	200-0314	SCREW 8-32 x 5/8", PAN HEAD, PHILLIPS THREAD CUTTER TYPE F	9
4	265-0005	CERAMIC BRIQUETTE W/ LOGO	24



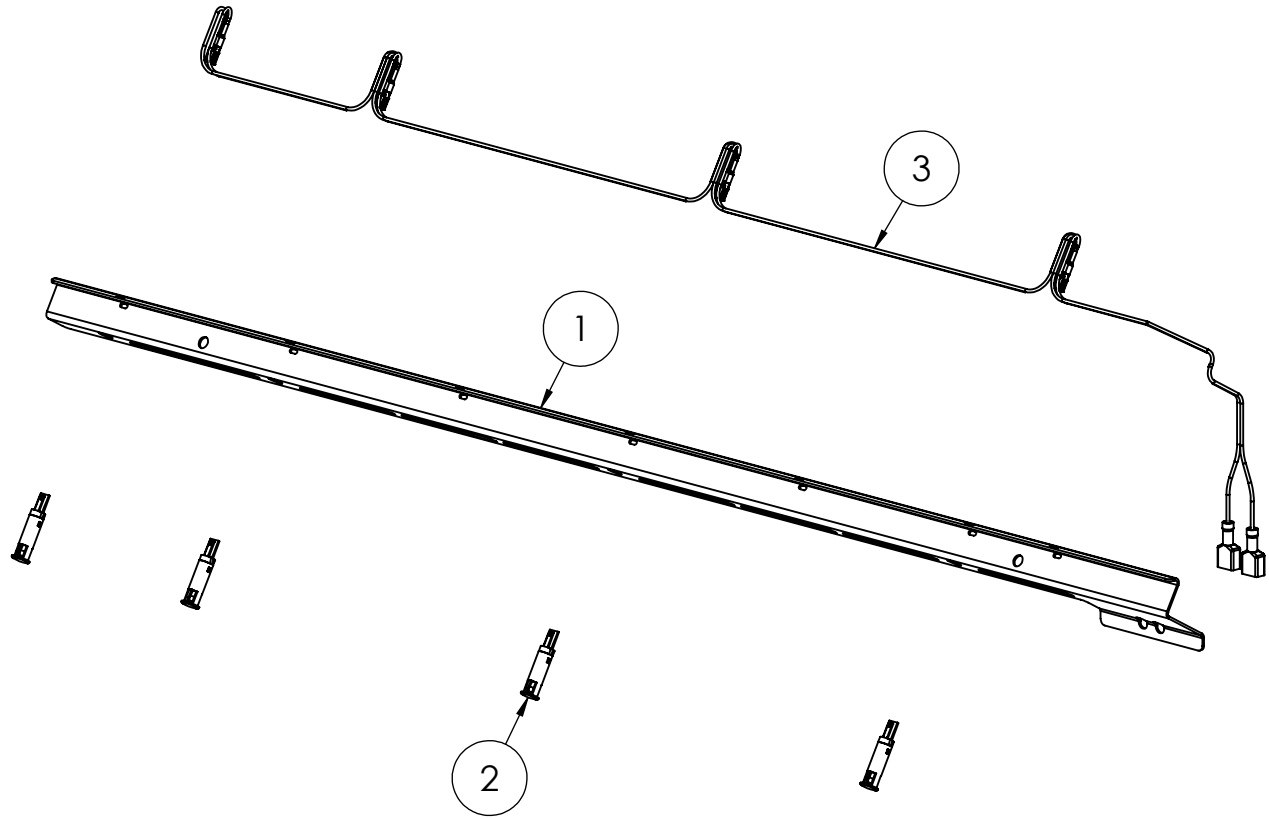
ITEM	PART NUMBER	DESCRIPTION	QTY
1	100-1895	BRIQUETTE LOCK BAR	2
2	100-2669	BRIQUETTE TRAY BASE - 9-5/8" WIDE	1
3	200-0314	SCREW 8-32 x 5/8", PAN HEAD, PHILLIPS THREAD CUTTER TYPE F	6
4	265-0005	CERAMIC BRIQUETTE W/ LOGO	18



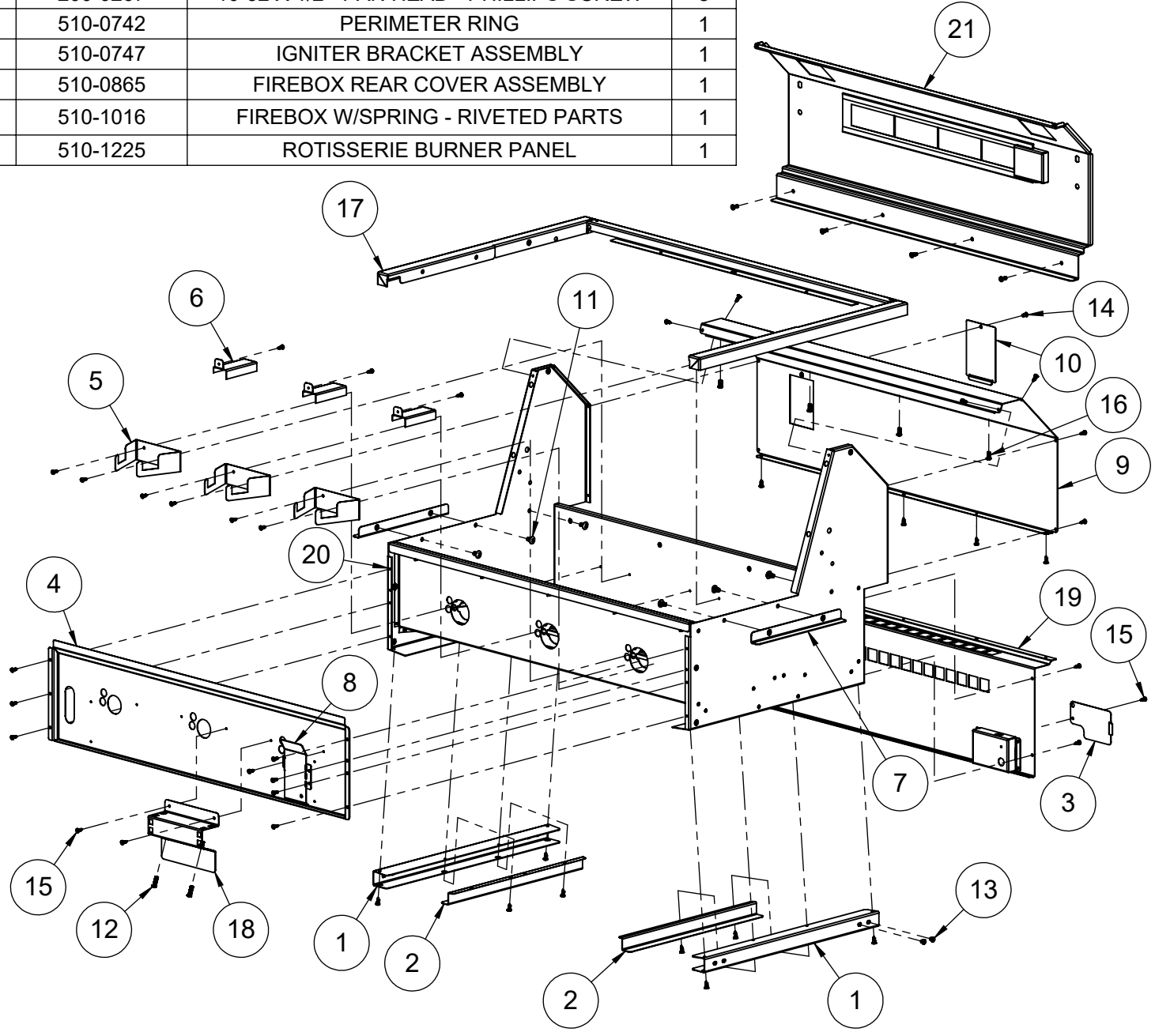
ITEM	PART NUMBER	DESCRIPTION	QTY
1	200-0093	WASHER - PUSH LOCK 1/8" ID X 3/8" OD (LOGO)	2
2	200-0267	10-32 X 1/2 - PAN HEAD - PHILLIPS SCREW	2
3	290-0356	ARTISAN LOGO	1
4	510-1023	FRONT PANEL - WELDED PARTS	1
5	510-1028	FRONT PANEL - LIGHT ASSEMBLY	1



ITEM	PART NUMBER	DESCRIPTION	QTY
1	100-2670	FRONT PANEL LIGHT BRACKET	1
2	210-0624	Pilot Light - Blue LED, 8mm Ø, 110 VAC	4
3	210-0629	FRONT PANEL LIGHTING HARNESS	1



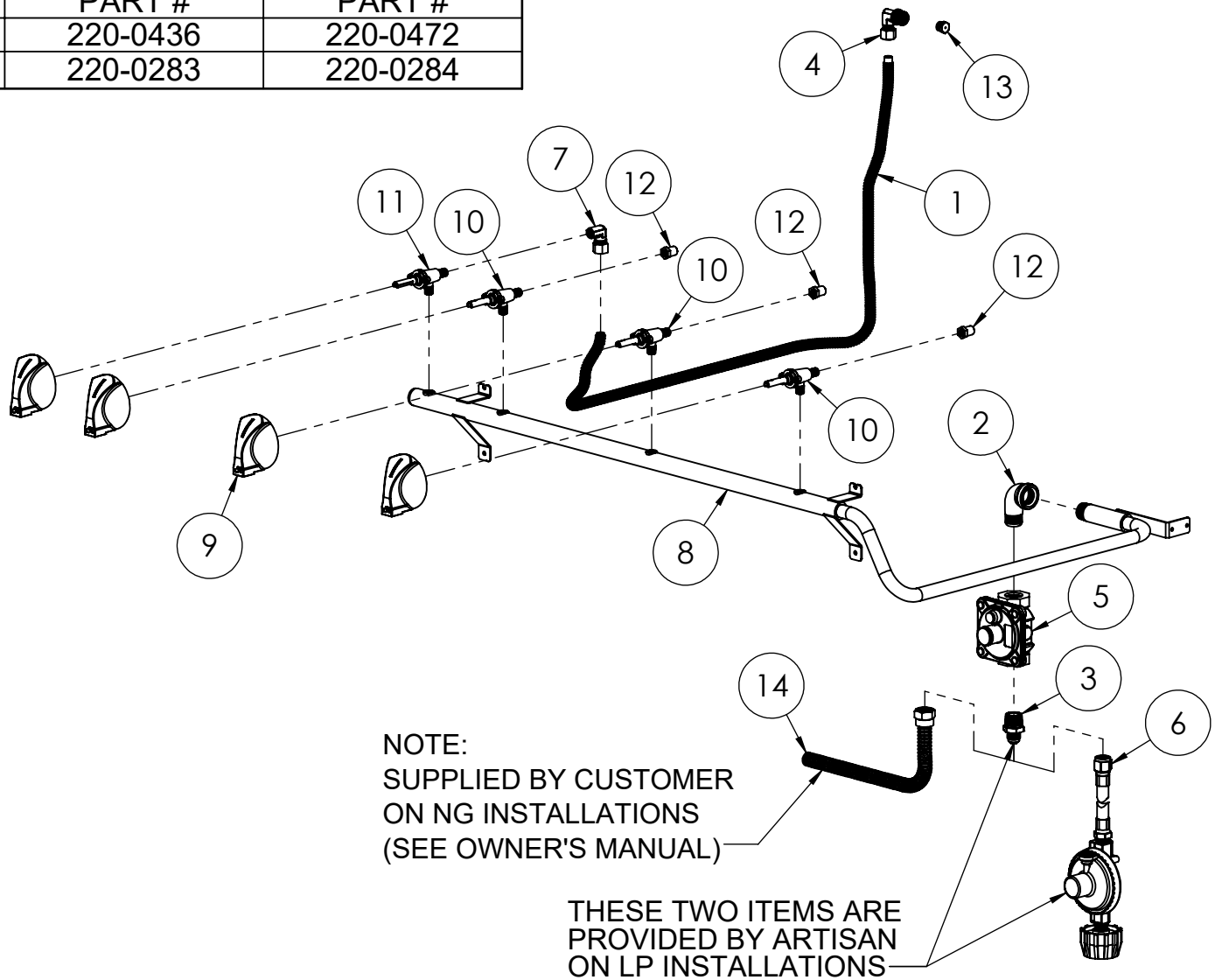
ITEM	PART NUMBER	DESCRIPTION	QTY
1	100-2024	FIREBOX TRAY SLIDE PART-A	2
2	100-2025	FIREBOX TRAY SLIDE PART-B	2
3	100-2370	ELECTRICAL BOX COVER	1
4	100-2372	FIREWALL	1
5	100-2373	BURNER BRACKET	3
6	100-2374	IGNITER COVER - STANDARD	3
7	100-2378	PERIMETER RING BRACKET	2
8	100-2666	BUTTONS SHIELD - BRACKET	1
9	150-2334	BACK HOOD - REAR COVER	1
10	150-2335	IR ORIFICE ACCESS COVER	1
11	200-0057	SCREW 1/4-20 X 1/2 - TRUSS HEAD - PHILLIPS	6
12	200-0062	10-32 X 3/4 - PAN HEAD - PHILLIPS SCREW	2
13	200-0082	10-32 X 1/4 - PAN HEAD - PHILIPS SCREW	2
14	200-0100	SCREW 8-32 X 3/8" - PAN HEAD - PHILIPS - SS	1
15	200-0111	SCREW 8-18 X 1/2 - SELF TAP - 410 SS	48
16	200-0267	10-32 X 1/2 - PAN HEAD - PHILLIPS SCREW	8
17	510-0742	PERIMETER RING	1
18	510-0747	IGNITER BRACKET ASSEMBLY	1
19	510-0865	FIREBOX REAR COVER ASSEMBLY	1
20	510-1016	FIREBOX W/SPRING - RIVETED PARTS	1
21	510-1225	ROTISSERIE BURNER PANEL	1



ITEM	PART NUMBER	DESCRIPTION	QTY
1	100-1949	ROTISSERIE LINE - 36" L x 3/8" ID	1
2	200-0274	ELBOW 90° - CAST IRON - 1/2" FPT x 1/2" MPT	1
3	220-0275	NIPPLE - 1/2" MPT X 3/8" OD FL	1
4	220-0276	ELBOW .375 MPT x .375 COMP	1
5	220-0280	REGULATOR GAS - MAXITROL RV48CL440002	1
6	220-0301	REGULATOR - LP GAS W/36" HOSE - CONN. GREEN	1
7	220-0399	ELBOW 1/8-27 FPT x 3/8" Ø COMPRESSION	1
8	220-0431	GAS MANIFOLD	1
9	290-0030	KNOB BBQ - ALFRESCO "A" LETTER	4
10	290-0320	GAS VALVE - 1/8-27 MPT X 1/8-27 NPTS	3
11	290-0321	VALVE - GAS - [ON/OFF] FLOW - 1/8-27 MPT X 1/8-27 NPTS	1
12	SEE NOTE	ORIFICE - MAIN BURNER - (SEE NOTE FOR SIZING)	3
13	SEE NOTE	ORIFICE - IR ROTISSERIE UNIT (SEE NOTE FOR SIZING)	1
14	SEE NOTE	1/2" ODF - FLEX SS GAS LINE (BY CUSTOMER)	1

NOTE: ORIFICE OR VALVE ASSEMBLY TO CHANGE ACCORDING TO FUEL SUPPLY: NATURAL GAS OR LIQUID PROPANE.

ITEM	NG	LP
	PART #	PART #
12	220-0436	220-0472
13	220-0283	220-0284



NOTE:
SUPPLIED BY CUSTOMER
ON NG INSTALLATIONS
(SEE OWNER'S MANUAL)

THESE TWO ITEMS ARE
PROVIDED BY ARTISAN
ON LP INSTALLATIONS

ITEM	PART NUMBER	DESCRIPTION	QTY.
1	200-0009	HEYCO STRESS RELIEF BUSHING # 1200 SR 6N3-4	1
2	210-0240	ELECTRODE - DUAL TIP "L" SHAPE- ROTISSERIE	1
3	210-0287	BLACK POWER SUPPLY CORD 125V 15A 14/3 X 8FT LONG	1
4	210-0465	IGNITER MODULE (4 POINTS)	1
5	210-0488	LAMP FIXTURE ASSEMBLY - G9/120V/40W	1
6	210-0491	U-BURNER ELECTRODE TIP	3
7	210-0510	LAMP FIXTURE ASSEMBLY - G9/120V/40W	1
8	210-0541	IGNITER WIRE KIT	1
9	210-0640	HARNESS	1

