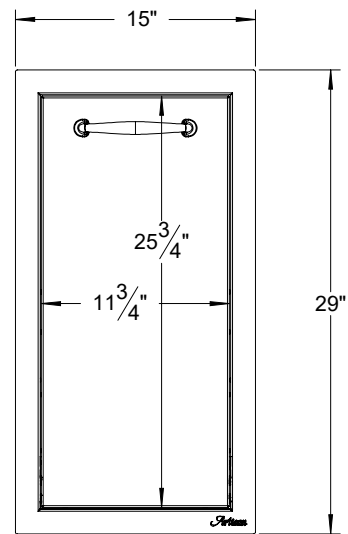
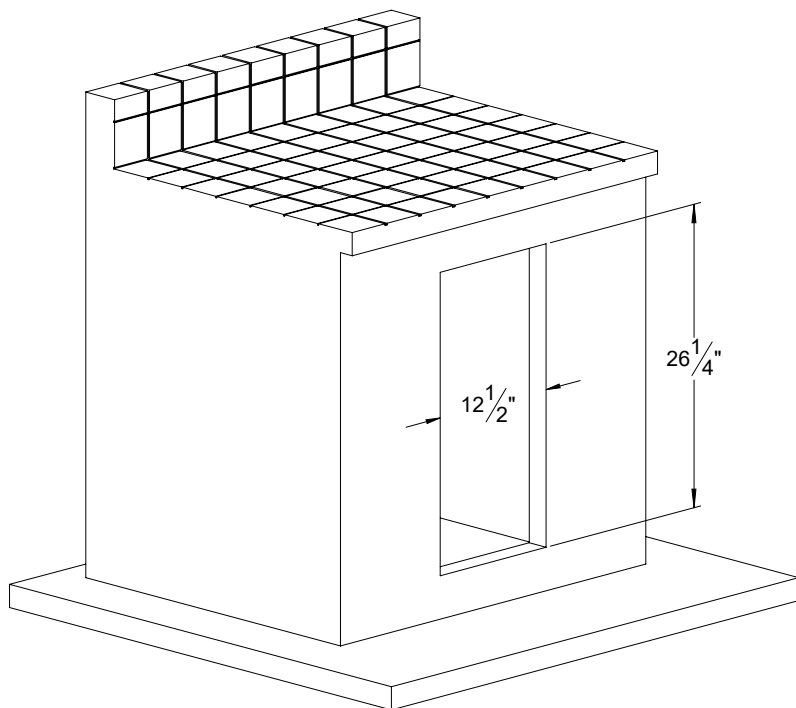


**TYPICAL ARTP-TC-15SC INSTALLATION**



**COUNTER FRONT CUTOUT REQUIREMENTS**



41 1/4 QT TRASH CAN IS NOT INCLUDED

