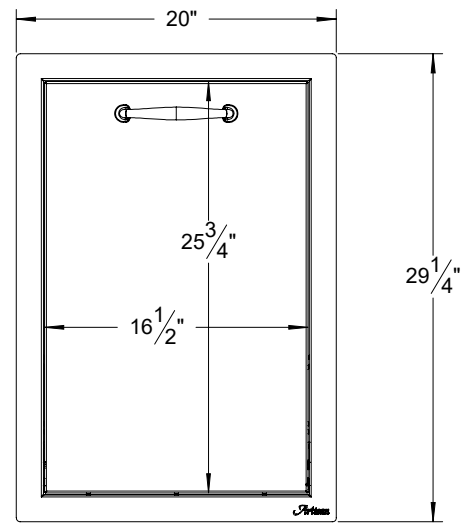
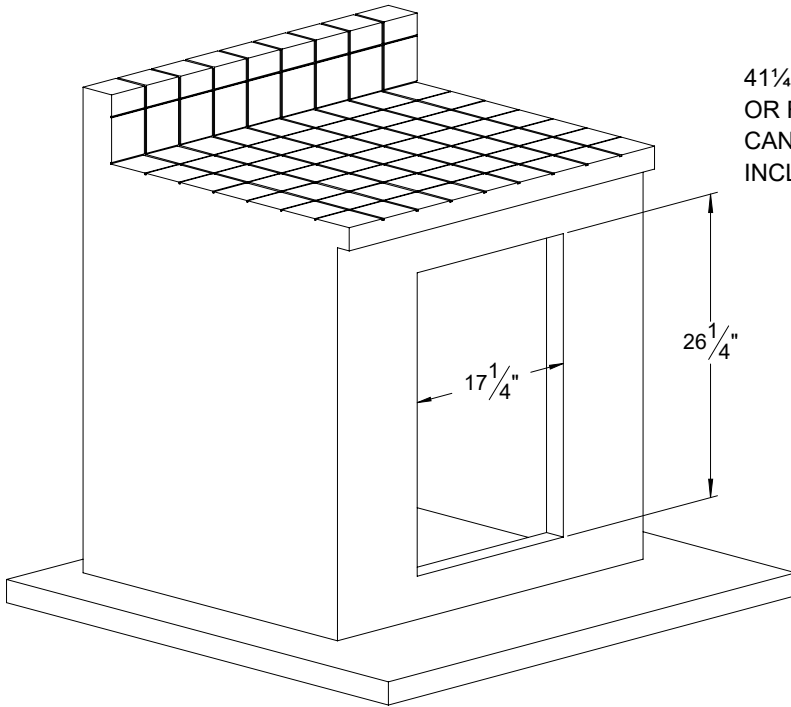


TYPICAL ARTP-TC2-20SC INSTALLATION



COUNTER FRONT CUTOUT REQUIREMENTS



41 1/4 QT TRASH OR RECYCLING CANS ARE NOT INCLUDED

