

AMANA®

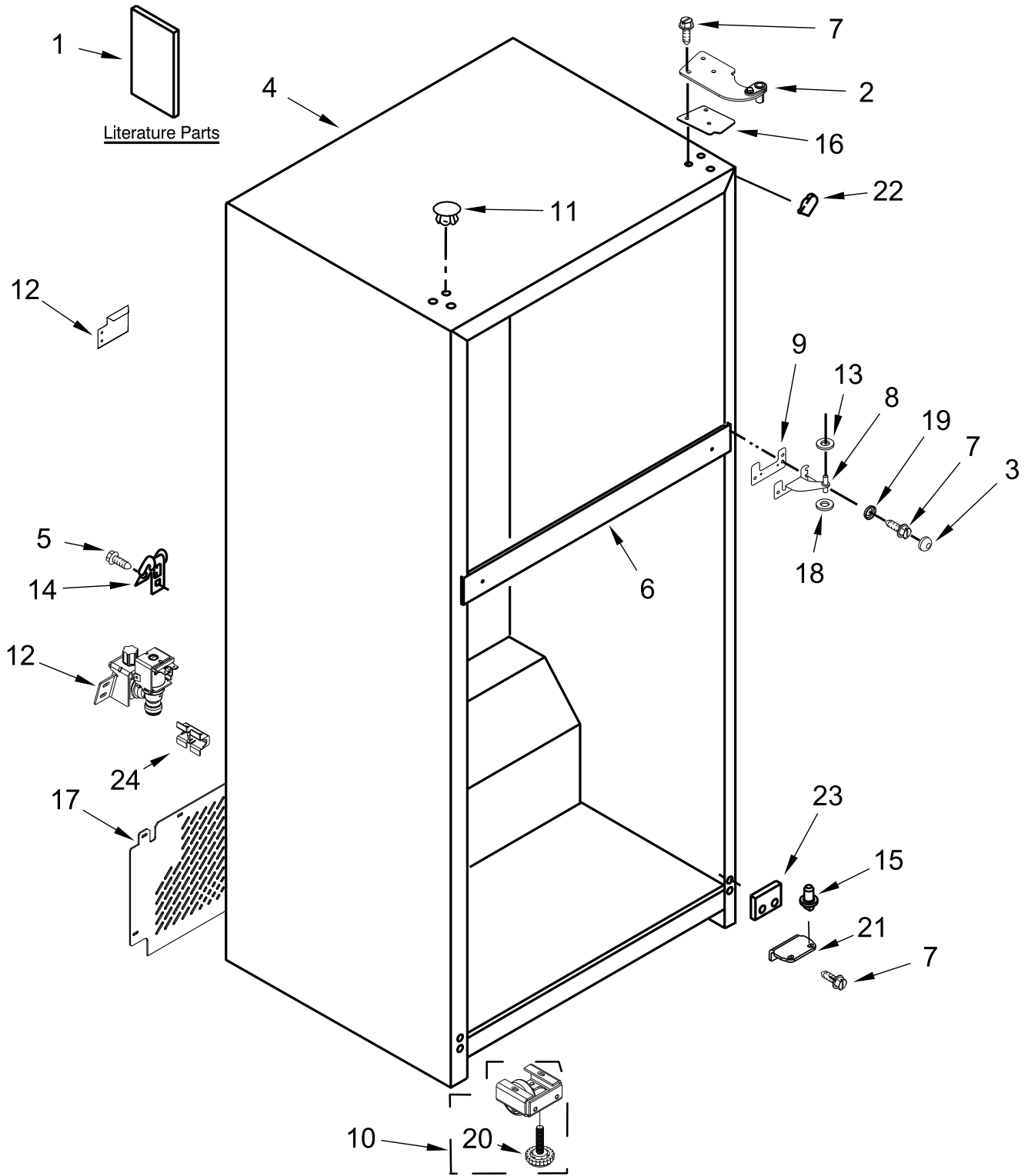
TOP MOUNT REFRIGERATOR

MODELS:

ARTX3028PW00 (White)

ARTX3028PB00 (Black)

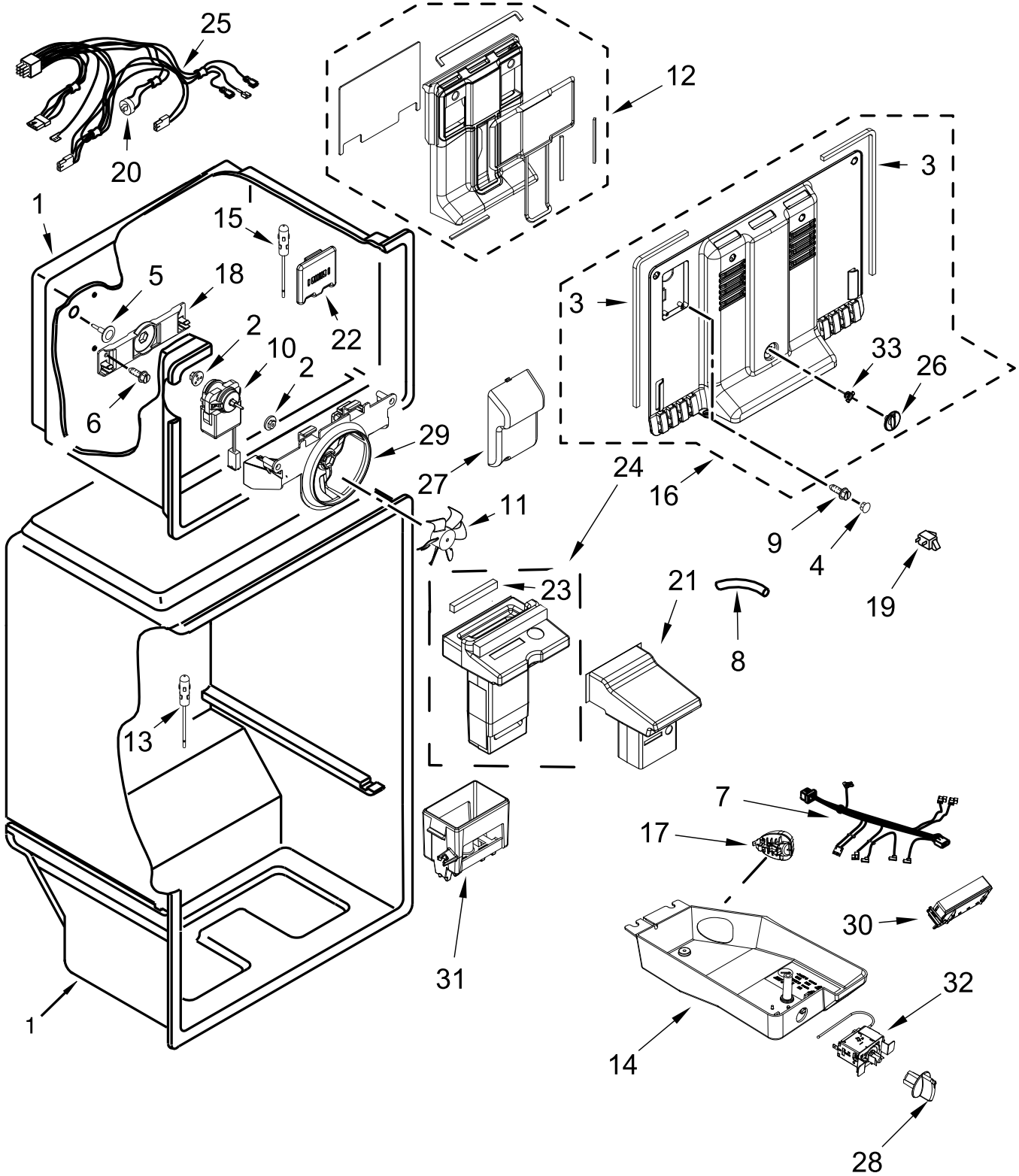
CABINET PARTS



CABINET PARTS

<u>Illus.</u> <u>No.</u>	<u>Part No.</u>	<u>Description</u>	<u>Illus.</u> <u>No.</u>	<u>Part No.</u>	<u>Description</u>	<u>Illus.</u> <u>No.</u>	<u>Part No.</u>	<u>Description</u>
1		Literature Parts	8	2166086	Assembly, Hinge (Center)	17	W11307292	Cover Unit
	W11646493	Tech Sheet				18	487576	Washer, Plastic
	W11507956	Use and Care Guide	9		Shim, Hinge (Center)	19	W10674773	Cap, Washer Dome
	W11647838	Energy Guide		2166043	White	20	W10133299	Leveler
2	W10300065	Assembly, Top Right Hinge		2215385	Black	21	2325482	Hinge, Bottom
3		Cap, Dome	10	W10142530	Assembly, Roller	22		Filler, Corner
	W10674771	White	11		Plug, Hole		2166003	White
	W10679135	Black		W10520304	White		2215384	Black
4		Cabinet (Not Serviced)		W10520305	Black	23	2201567	Shim, Hinge (Bottom)
5	489442	Screw	12	W11458717	Access Cover, Valve	24	W11416450	Spacer, Back
6		Rail, Center (Not Serviced)	13	489341	Washer, Plastic			
7	489497	Screw	14	W11242280	Clamp, Power Cord			
			15	W10638688	Hinge Pin			
			16	W10883637	Shim, Top Hinge			

LINER PARTS

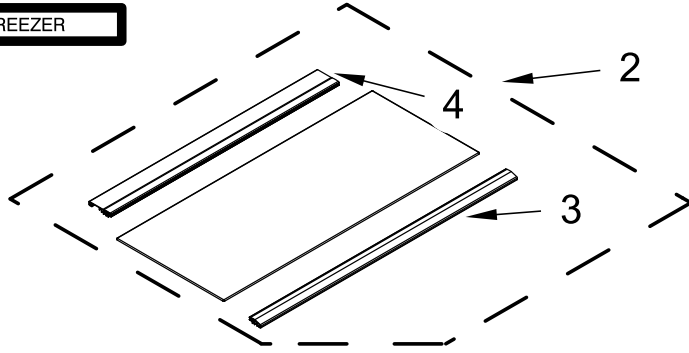


LINER PARTS

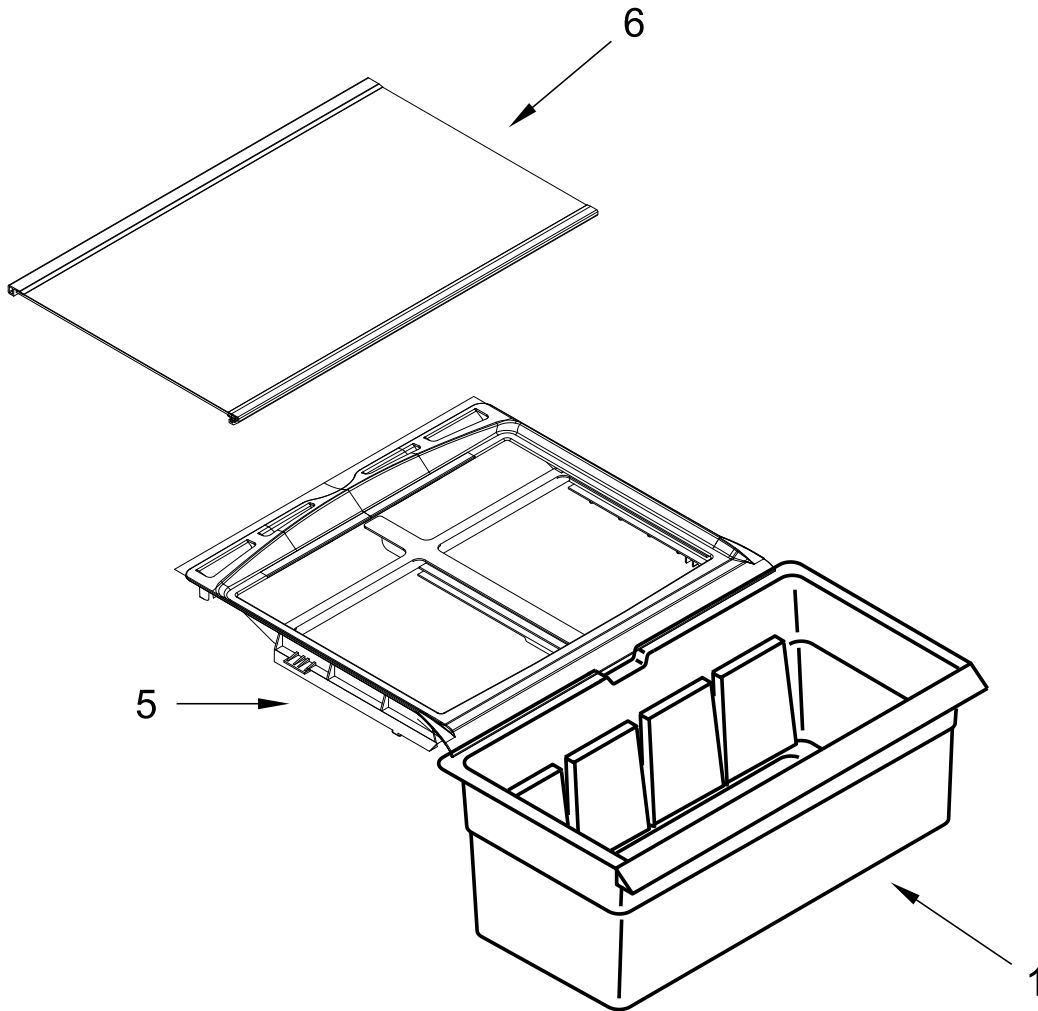
<u>Illus. No.</u>	<u>Part No.</u>	<u>Description</u>	<u>Illus. No.</u>	<u>Part No.</u>	<u>Description</u>	<u>Illus. No.</u>	<u>Part No.</u>	<u>Description</u>
1		Liner (Not Serviced)	12	W10813581	Assembly, Evaporator Plenum	23	W10702120	Gasket, Air Diffuser
2	2197380	Grommet	13	W10452402	Thermistor, Refrigerator	24	W11603929	Assembly, Air Diffuser
3	W10579698	Gasket, Evaporator Cover	14	W10827112	Assembly, Control Box	25	W11575934	Assembly, Evaporator Fan Wire (Includes Bi-Metal Defrost)
4	W10487421	Cover, Screw	15	W10384183	Thermistor	26	W10570952	Knob, Air Control
5		Hole Plug	16	W11510100	Cover, Evaporator	27	W11341625	Cover, Water Tube
	941839	White	17	W11468934	Light Module, LED	28	W10840263	Knob, Control
6	488208	Screw	18	2254454	Bracket, Evaporator Fan Rear	29	W10321162	Bracket, Fan Motor
7	W11581753	Wire Assembly, Control Box	19	W10847853	Switch, Rocker	30	W11438550	Control, Electronic
8	1118680	Tube, Thermostat Barrier	20		Bi-Metal Defrost (Not Serviced)	31	W10570480	Cover, Air Diffuser
9	8281232	Screw	21	W10570941	Duct, Air	32	W11349827	Assembly, Thermostat
10	2315539	Motor, Evaporator Fan	22	2321148	Housing, Thermistor	33	W10169456	Baffle, Air Manual
11	2200509	Blade, Fan						

SHELF PARTS

FREEZER



REFRIGERATOR



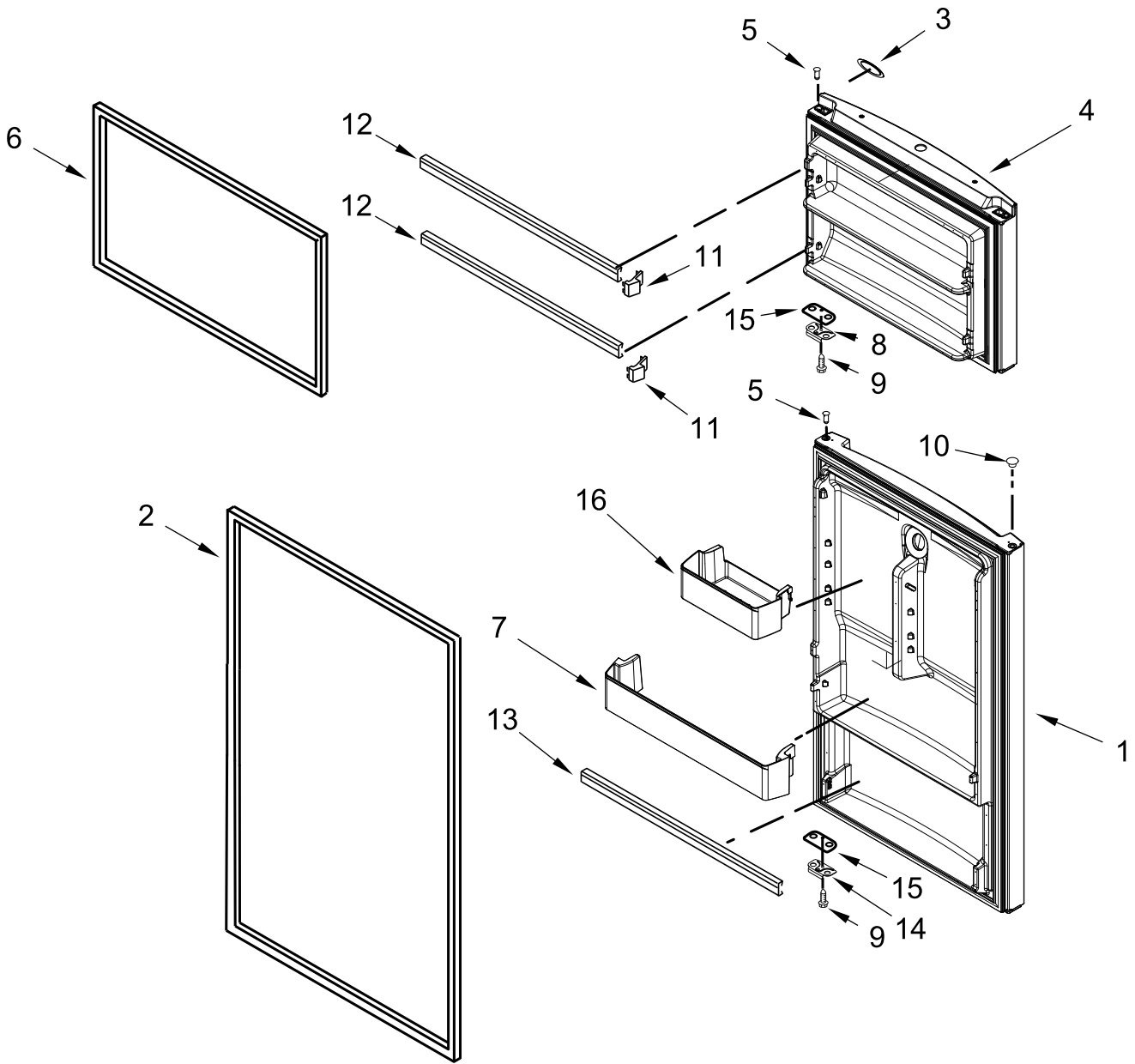
SHELF PARTS

<u>Illus.</u> <u>No.</u>	<u>Part No.</u>	<u>Description</u>
1	2192009	Crisper Pan
2	W10847320	Shelf, Glass

<u>Illus.</u> <u>No.</u>	<u>Part No.</u>	<u>Description</u>
3	W10847166	Trim, Shelf Front
4	W10847182	Trim, Shelf Rear

<u>Illus.</u> <u>No.</u>	<u>Part No.</u>	<u>Description</u>
5	W11400216	Cover, Crisper
6	W11184842	Assembly, Glass Shelf

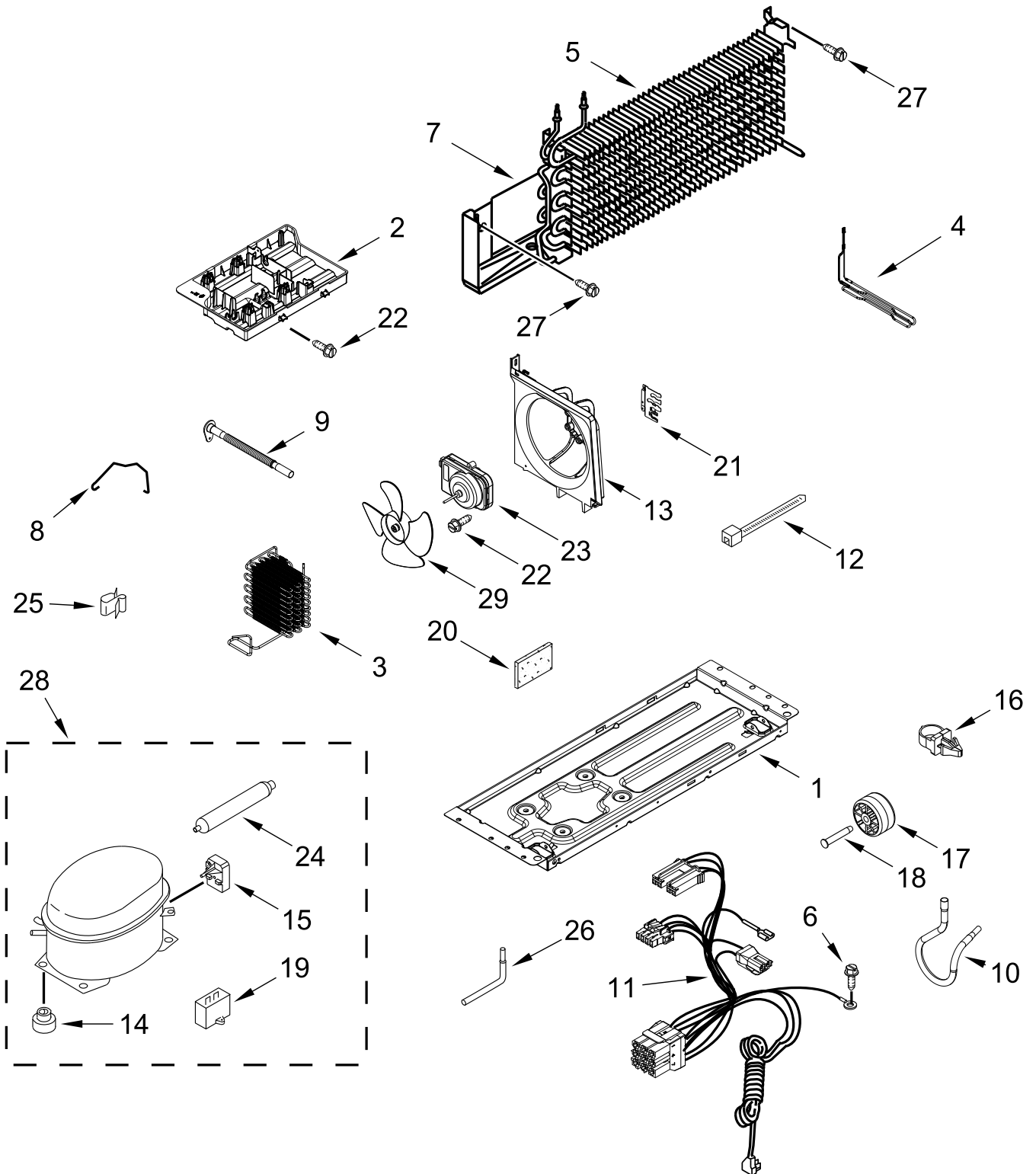
DOOR PARTS



DOOR PARTS

<u>Illus.</u> <u>No.</u>	<u>Part No.</u>	<u>Description</u>	<u>Illus.</u> <u>No.</u>	<u>Part No.</u>	<u>Description</u>	<u>Illus.</u> <u>No.</u>	<u>Part No.</u>	<u>Description</u>
1		Refrigerator Door (Includes Illustration 2)	5		Thimble	11	2156003	Endcap, Trim
	W11634841	White		W10492018	White	12	2266727	Trim, Door
	W11616141	Black		W10334042	Black	13	W10234241	Trim, Door Shelf
2		Gasket, Door	6		Gasket, Door	14	W10492012	Bracket, Door Stop
	2264729	White		W10840863	White	15		Shim, Door Stop
	2264725	Black		W10843447	Black		2258681W	White
3	W11046244	Badge	7	W10805892	Trivet	16	W10805890	Movable, Bin
4		Freezer Door (Includes Illustration 6)	8	2189202	Bracket, Door Stop			
	W10803976	White	9	488921	Screw			
	W11624190	Black	10		Plug, Hole			
				2212648	White			
				2212651	Black			

UNIT PARTS



UNIT PARTS

<u>Illus.</u> <u>No.</u>	<u>Part No.</u>	<u>Description</u>	<u>Illus.</u> <u>No.</u>	<u>Part No.</u>	<u>Description</u>	<u>Illus.</u> <u>No.</u>	<u>Part No.</u>	<u>Description</u>
1	W10573847	Support Plate, Compressor	10	W11396724	Tube, Suction	26	2174739	Tube, Process
2	W10565417	Tray, Evaporator	11	W11241362	Harness, Unit	27	489442	Screw
3	W11299410	Condenser (Also Order the Following Lokring Parts)	12	2263990	Tie, Wire	28	W11528399	Compressor (Also Order the Following Lokring Parts)
	W11504445	5/4 NR MS 00 (High Side to Condenser)	13	W10570380	Scroll, Fan		W11504415	8.5/8 NR MS 00 (Suction Tube to Compressor)
	W11504432	6/5 NR MS 00 (Suction Line to Condenser)	14	10835903	Grommet		W11504430	7/6 NR MS 00 (High Pressure Side to Compressor)
4	W11339349	Heater, Defrost	15	W11541370	Device, Combination Start (Start Relay and Overload)		W11506619	8 NK MS 00 (Process Tube to Compressor)
5	W11497963	Assembly, Evaporator (Also Order the Following Lokring Parts)	16	2219077	Clip, Harness	29	W10675036	Blade, Fan REFRIGERANT CHARGE 56 grams (R600a)
	W11504450	4/1.8 NR MS 00 (Capillary Tube to Evaporator)	17	W10475495	Roller			
	W11506620	8 NK AL 00 (Suction Line to Evaporator)	18	2264756	Axle, Roller			
6	8533919	Screw	19	W10590083	Capacitor			
7	W10570572	Shield, Heat	20	2215468	Insulation, Sound			
8	W10174384	Strap, Bale	21	W11340313	Bracket, Evaporator			
9	W10582029	Extension, Drain Tube	22	8533859	Screw			
			23	W10909387	Motor, Condenser Fan			
			24	W10805035	Drier (Service Drier Without Dye) (Also Order the Following Lokring Parts)			
				W11504445	5/4 NR MS 00 (Heat Loop to Drier)			
				W11504447	5/1.8 NR MS 00 (Capillary Tube to Drier)			
			25	2326941	Clip, Wire			

OPTIONAL PARTS

<u>Illus.</u> <u>No.</u>	<u>Part No.</u>	<u>Description</u>
	978941	Insulation, Fiberglass (63 1/2" x 35 1/2" x 2 5/8")
	212643	Sealer, Gum (4 Feet)
	479502	Tape, Vinyl (3/4 x 108")
	876305	Insulation Kit (14 Pieces, 3" x 24" x 48")
	876370	Insulation (2 Pieces, 3" x 24" x 48")
	876029	Kit, Foam Slab (30" x 32 1/2" x 1 1/2")
	505587	Sealer, Mastic (1 Qt)
	511873	White Porcelain (2 oz.)
	542638	Grease, Silicone (1/2 Oz.)
	542639	Cement, Alumilastic (1 1/4 Oz.)
	606755	Bag
	833938	Kit, Terminal Connector
	503695	Cork, Sealer
	8003RP	Kit, Water Inlet
W10662124		Door Reversal Kit, White Model
W10676239		Door Reversal Kit, Black Model
W10676240		Door Reversal Kit Stainless Model
W11517113		Complete Ice Maker Kit