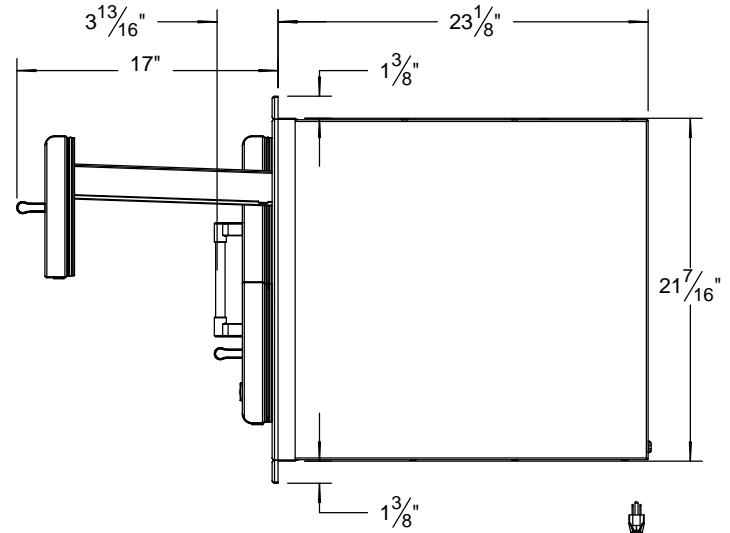
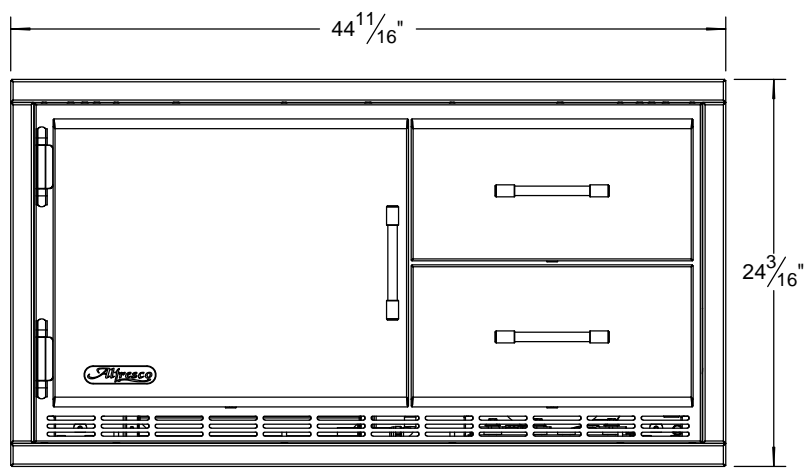
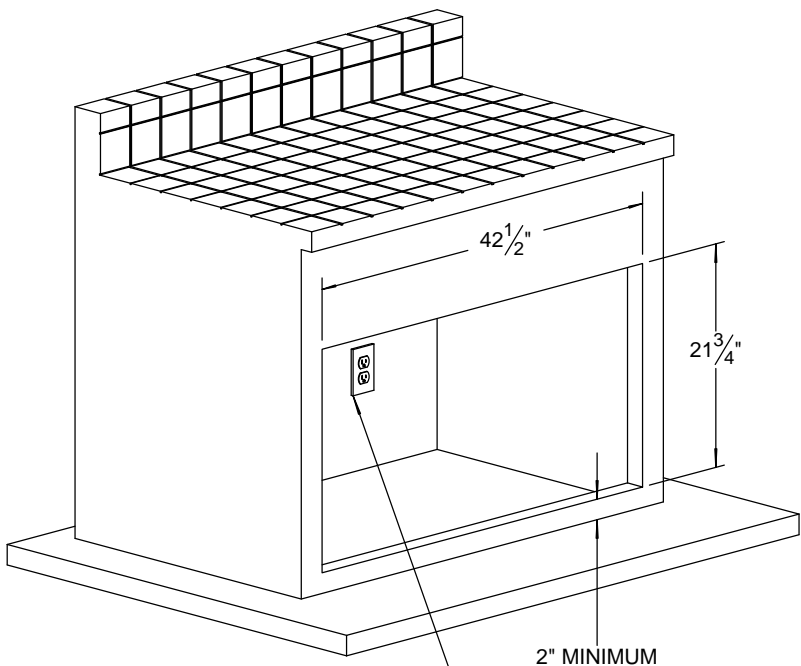


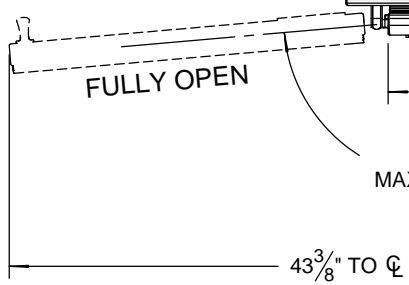
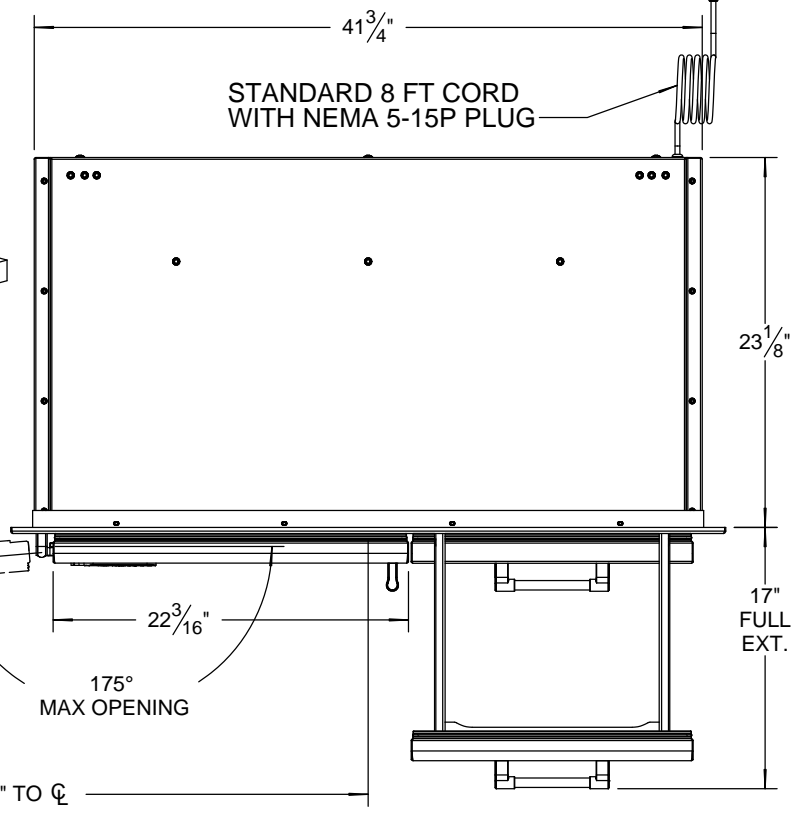
ARXE-42 TYPICAL INSTALLATION



COUNTER FRONT CUTOUT REQUIREMENTS



GROUNDING OUTLET REQUIRED FOR PROPER OPERATION. (GFCI RECOMMENDED)



**SPECIFICATIONS:**  
 R-134A REFRIGERANT  
 115 VAC - 1Ø - 3W - 2.9 AMPS  
 2.9 RLA - 8.6 LRA - 3.2 MCA  
 MOC PD 15 AMPS