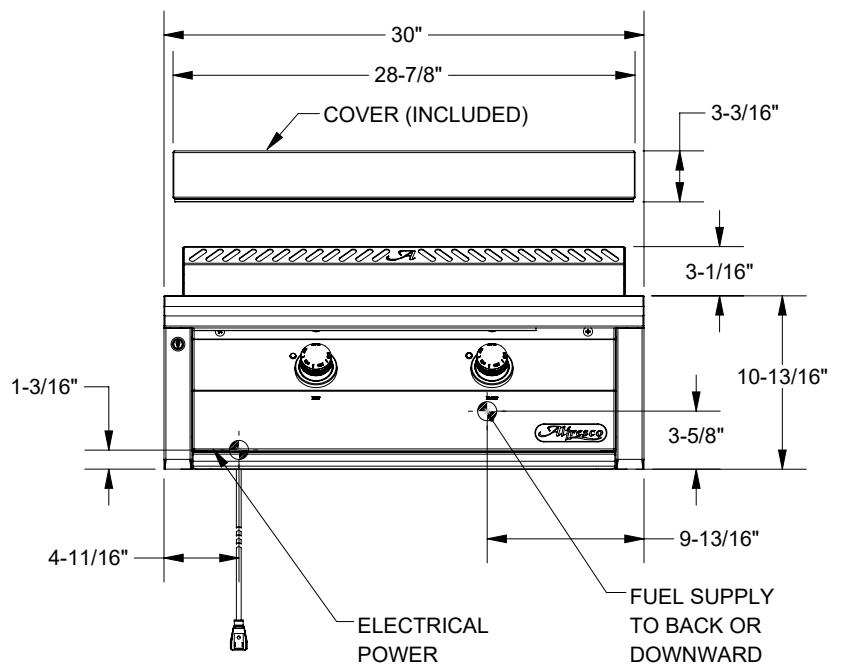
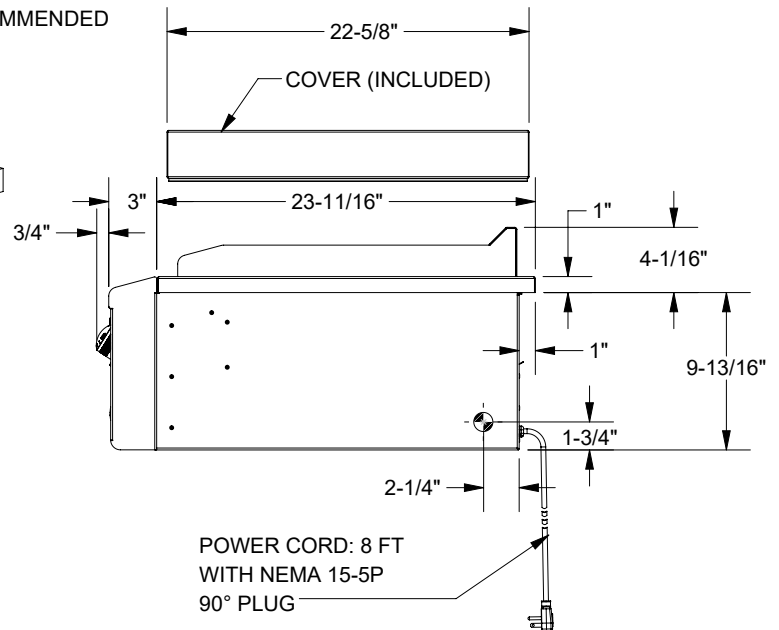
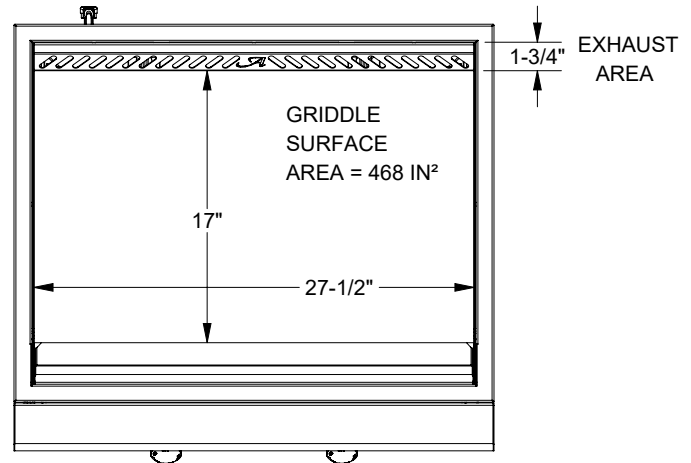
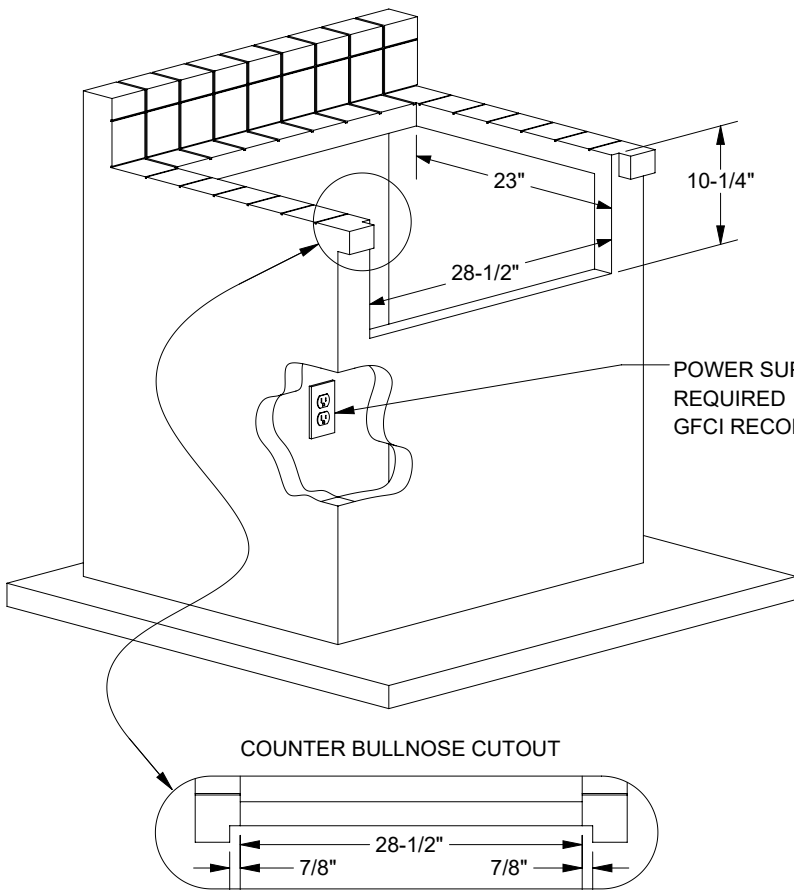


TYPICAL AXE-30GT INSTALLATION



TYPICAL COUNTER CUTOUT REQUIREMENTS



SPECIFICATIONS:

- GRIDDLE SURFACE AREA = 468 IN²
- BTUH = 37,600
- FUEL = NG @ 4" W.C. / LP @ 10" W.C.
- ELECTRICAL POWER: 115 VAC / 6.8 A / 50-60 Hz.
- GAS CONNECTION = 1/2" NPT (NG) OR 3/8" ODF (LP)