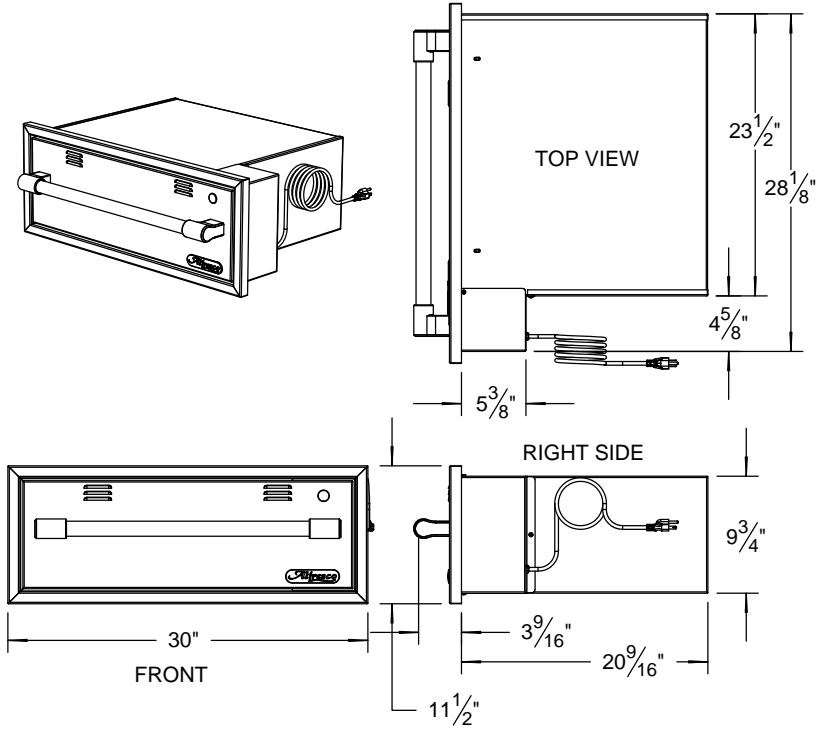


AXEWD-30 TYPICAL INSTALLATION

POWER REQUIREMENTS:
115 VAC - 3.9 AMPS

STANDARD GCFI OUTLET IS REQUIRED FOR SAFETY

AXEWD-30 WARMING DRAWER



COUNTER FRONT CUTOUT REQUIREMENTS

