



Read me
FIRST

www.CookWithKenyon.com

KENYON®

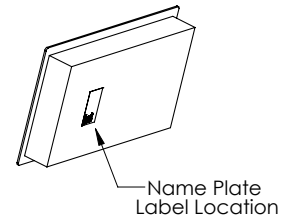
Make any day a weekend

CERAMIC GLASS COOKTOPS
OWNERS MANUAL

 E194413
Part #143117
Created: 10/9/2009
Revised: 10/27/2020

**PLEASE READ THESE INSTRUCTIONS IN THEIR
ENTIRETY BEFORE INSTALLATION AND USE OF APPLIANCE.
DO NOT DISCARD THIS MANUAL!
SAVE FOR FUTURE REFERENCE.**

*For future reference, please record the serial number of your
cooktop here: _____.*



PRODUCT SPECIFICATIONS

XL Two Burner: *Arctic, Antarctic & Glacier*

B41603, B49512 & B41706 - 120V AC - one 6 1/2" (165mm) burner @ 1200 watts
one 8" (200mm) burner @ 1400 watts

B41604, B49513 & B41707 - 240V AC - one 6 1/2" (165mm) burner @ 1200 watts
one 8" (200mm) burner @ 1800 watts

B41694, B49593 & B41794 - 208V AC - one 6 1/2" (165mm) burner @ 1200 watts
one 8" (200mm) burner @ 1800 watts

Overall dimensions: 21" x 17" x 3-1/4"
533.4mm x 431.8mm x 82.6mm

Cutout dimensions: 19-1/2" x 16" with 1/4" radius
495.3mm x 406.4mm with 6.4 radius

Two Burner: *Mediterranean & Alpine*

B41510 & B49510 - 120V AC - one 6 1/2" (165mm) burner @ 1200 watts
one 8" (200mm) burner @ 1400 watts

B41511 & B49511 - 240V AC - one 6 1/2" (165mm) burner @ 1200 watts
one 8" (200mm) burner @ 1800 watts

B41591 & B49591 - 208V AC - one 6 1/2" (165mm) burner @ 1200 watts
one 8" (200mm) burner @ 1800 watts

Overall dimensions: 23-1/4" x 14-1/4" x 3-1/4"
590.6mm x 362.0mm x 82.6mm

Cutout dimensions: 21-3/4" x 12-3/4" with 1/4" radius
552.5mm x 323.9mm with 6.4 radius

Two Burner Trimline: *Mediterranean, Alpine, Caribbean & Cortez*

B41515, B49515, B41601 & B41710 - 120V AC - two 6 1/2" (165mm) burners @ 1200 watts each

B41516, B49516, B41602 & B41711 - 240V AC - two 6 1/2" (165mm) burners @ 1200 watts each

B41596, B49596, B41692 & B41719 - 208V AC - two 6 1/2" (165mm) burners @ 1200 watts each

Overall dimensions: 21" x 12" x 3-1/4"
533.4mm x 304.8mm x 82.6mm

Cutout dimensions: 20" x 10-3/4" with 1/4" radius
508mm x 273mm with 6.4 radius

Single Burner: *Mediterranean, Alpine, Caribbean & Cortez*

B41517, B49517, B41605 & B41704 - 120V AC - one 6 1/2" (165mm) burner @ 1200 watts

B41518, B49518, B41606 & B41705 - 240V AC - one 6 1/2" (165mm) burner @ 1200 watts

B41598, B49598, B41696 & B41709 - 208V AC - one 6 1/2" (165mm) burner @ 1200 watts

Overall dimensions: 12" x 12-1/2" x 3-1/4"
304.8mm x 317.5mm x 82.6mm

Cutout dimensions: 10-3/4" x 11-1/2" with 1/4" radius
273.0mm x 292.1mm with 6.4 radius

**INSTALLATION INSTRUCTIONS FOR KENYON
CERAMIC GLASS COOKTOPS**



Important: Save this documentation for review by local inspector.

Important: This appliance must be properly installed and grounded by a qualified technician.

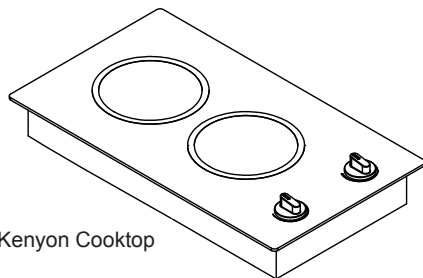
STEP #1

Unpacking the Cooktop

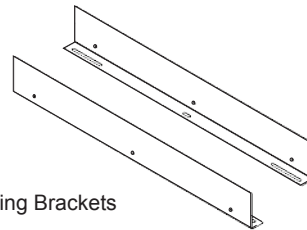
Carefully unpack the cooktop from its shipping container. If possible, retain the original shipping carton and protective packaging in the event the unit ever has to be returned for service.

Verify and identify the package contents. The following items should be included in the carton. If any components are missing or damaged, call KENYON immediately.

Ceramic glass cooktop • (2) Mounting brackets 1) • Package of mounting screws



Kenyon Cooktop



Mounting Brackets



Mounting Screws Package



Important: Do not remove the clear plastic covering film on the ceramic glass until cooktop is ready to use.

STEP #2

Check the Electrical Supply Requirements

This product must be installed in accordance with national, state and local electric codes. The following table provides the correct voltage, amperage and frequency that must be supplied to the cooktop.

Kenyon Part #	Model #	Max Connected Load	Required Power Supply Input	Minimum Wire Size
B41510	MED2	2600 Watts	120 VAC/22A/60Hz	#12 AWG
B41511	MED2	3000 Watts	240 VAC/12.5A/60Hz	#12 AWG
B41591	MED2	3000 Watts	208 VAC/14.5A/60Hz	#12 AWG
B41515	MED2TL	2400 Watts	120 VAC/20A/60Hz	#12 AWG
B41516	MED2TL	2400 Watts	240 VAC/10A/60Hz	#12 AWG
B41596	MED2TL	2400 Watts	208 VAC/11.5A/60Hz	#12 AWG
B41517	MED1	1200 Watts	120 VAC/10A/60Hz	#12 AWG
B41518	MED1	1200 Watts	240 VAC/5A/60Hz	#12 AWG
B41598	MED1	1200 Watts	208 VAC/6A/60Hz	#12 AWG
B41601	CAR2	2400 Watts	120 VAC/20A/60Hz	#12 AWG
B41602	CAR2	2400 Watts	240 VAC/10A/60Hz	#12 AWG
B41692	CAR2	2400 Watts	208 VAC/11.5A/60Hz	#12 AWG
B41603	ARCTIC2	2600 Watts	120 VAC/22A/60Hz	#12 AWG
B41604	ARCTIC2	3000 Watts	240 VAC/12.5A/60Hz	#12 AWG
B41694	ARCTIC2	3000 Watts	208 VAC/14.5A/60Hz	#12 AWG
B41605	CAR1	1200 Watts	120 VAC/10A/60Hz	#12 AWG
B41606	CAR1	1200 Watts	240 VAC/5A/60Hz	#12 AWG
B41696	CAR1	1200 Watts	208 VAC/6A/60Hz	#12 AWG
B41710	CORT2	2400 Watts	120 VAC/20A/60Hz	#12 AWG
B41711	CORT2	2400 Watts	240 VAC/10A/60Hz	#12 AWG
B41719	CORT2	2400 Watts	208 VAC/11.5A/60Hz	#12 AWG
B41704	CORT1	1200 Watts	120 VAC/10A/60Hz	#12 AWG
B41705	CORT1	1200 Watts	240 VAC/5A/60Hz	#12 AWG
B41709	CORT1	1200 Watts	208 VAC/6A/60Hz	#12 AWG
B49510	ALP2LG	2600 Watts	120 VAC/22A/60 Hz	#12 AWG
B49511	ALP2LG	3000 Watts	240 VAC/12.5A/60Hz	#12 AWG
B49591	ALP2LG	3000 Watts	208 VAC/11.5A/60Hz	#12 AWG
B49512	ANTARCTIC2	2600 Watts	120 VAC/22A/60Hz	#12 AWG
B49513	ANTARCTIC2	3000 Watts	240 VAC/12.5A/60Hz	#12 AWG
B49593	ANTARCTIC2	3000 Watts	208 VAC/14.5A/60Hz	#12 AWG
B49515	ALP2SM	2400 Watts	120 VAC/20A/60Hz	#12 AWG
B49516	ALP2SM	2400 Watts	240 VAC/10A/60Hz	#12 AWG
B49596	ALP2SM	2400 Watts	208 VAC/6A/60Hz	#12 AWG
B49517	ALP1	1200 Watts	120 VAC/10A/60Hz	#12 AWG
B49518	ALP1	1200 Watts	240 VAC/10A/60Hz	#12 AWG
B49598	ALP1	1200 Watts	208 VAC/11.5A/60Hz	#12 AWG
B41706	GLACIER2	2600 Watts	120 VAC/22A/60Hz	#12 AWG
B41707	GLACIER2	3000 Watts	240 VAC/12.5A/60Hz	#12 AWG
B41794	GLACIER2	3000 Watts	208 VAC/14.5A/60Hz	#12 AWG

The supply must be from an individual grounded circuit that is protected by a circuit breaker and rated per the specifications for the various models as shown in the table above.



Warning: If the electric power supply does not meet the product specifications, consult with a licensed electrician before proceeding with installation.

STEP #3

Countertop Preparation

Please read this section prior to making cutout for cooktop.

It is important to plan ahead for installation of the cooktop, keeping the following dimensions in mind (please refer to Figure A).

- A - 13 inches maximum depth of overhead cabinets
- B - 36 inches is minimum height of countertop above floor
- C - The minimum flat countertop surface that the cooktop will rest upon must be equal to or greater than the overall cooktop dimensions (refer to the following page for overall cooktop dimensions).
- D - 30 inches minimum clearance between the top of the cooking surface and the bottom of an unprotected wood or metal cabinet or 24 inch minimum clearance when the bottom of wood or metal cabinet is protected by not less than 1/4-inch-thick flame retardant millboard covered with not less than No. 28 MSG sheet steel, 0.015-inch-thick stainless steel, 0.024-inch-thick aluminum or 0.020-inch-thick-copper.
- E - 1-inch minimum from backsplash of countertop to edge of glass (refer to the following page for overall cooktop dimensions).

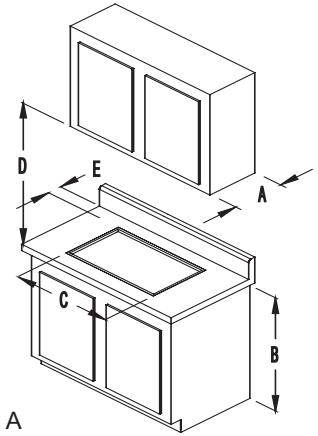


Fig. A

“Do Not Install Closer Than 1/2 Inch (12 mm) From Any Adjacent Surface”,
and **NE PAS INSTALLER A’MDINS DE 12MM DETOUTE SURFACE
ADJACENTE.**



Warning: To eliminate the risk of burns by reaching over heated surface units, cabinet storage space located above surface units should be avoided. If cabinet storage is to be provided, the risk can be reduced by installing a range hood that projects horizontally a minimum of 5” beyond the bottom of the cabinets.

Before making the countertop cutout, check for clearance. Check to see if the cooktop will clear the front and side walls of the base cabinet. It is also important to provide enough ventilation.

Adequate ventilation of the space below the countertop must be provided to ensure proper operation of the cooktop. Heat transferred from the cooktop bottom pan during operation will overheat an improperly ventilated area.

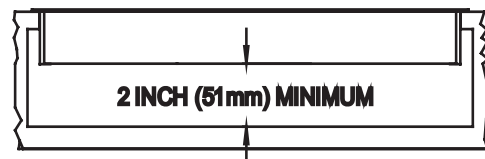


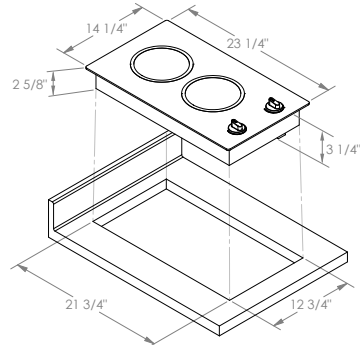
Fig. B

Since the appliance requires a sufficient supply of fresh air to operate at maximum performance, the cabinet must be designed accordingly. The following is required for this:

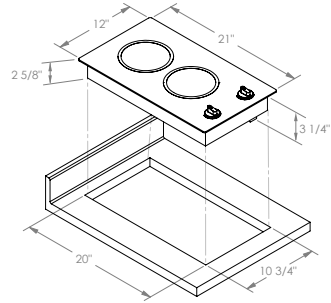
- The cabinet must have a minimum of two openings; one to allow fresh air to enter and the other for hot air to escape the cabinet.
- Opening sizes must be equal to 8 square inches each. This is for ambient temperatures of 85°F / 30°C and below. If the ambient temperature around the appliance is above 85°F / 30°C then larger ventilation opening sizes may be required.

Allow a 2" minimum clearance between the bottom of the metal pan of the cooktop and any combustible surface located below, ie: the upper edge of a drawer installed below the cooktop (see Fig. B on previous page). Failure to provide proper clearances and ventilation may result in a fire hazard.

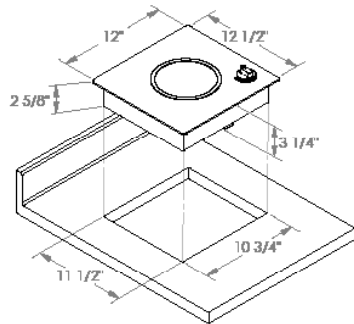
Cooktop dimensions and countertop cutout dimensions for each model are shown below:



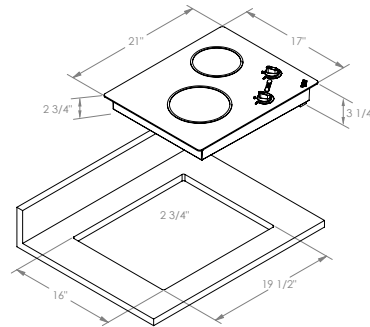
Models: MED2, ALP2LG



Models: MED2TL, CAR2, ALP2SM, CORT2



Models: MED1, CAR1, ALP1, CORT1



Models: ARCTIC2, ANTARCTIC2 & GLACIER2

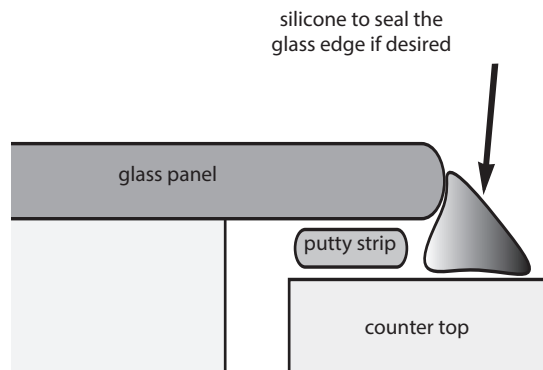
Note:

When making countertop, **radius** the corner of the cutout (1/4" radius is typical). This will prevent cracking of the countertop. Follow the countertop manufacturer's instructions regarding the minimum corner radius and reinforcement of corners.

STEP #4

Installing the Cooktop

The cooktop is supplied with two metal mounting brackets. These brackets are designed to hold the cooktop firmly in place. The cooktop does not have a metal frame and should be sealed to the countertop. **Use a soft bedding compound that will prevent damage if later removal for service is necessary. We recommend a nonadhesive type of sealant, such as plumber's putty, maximum compressed thickness of 1/16".** Silicone may be used to seal the glass edge only, if desired.



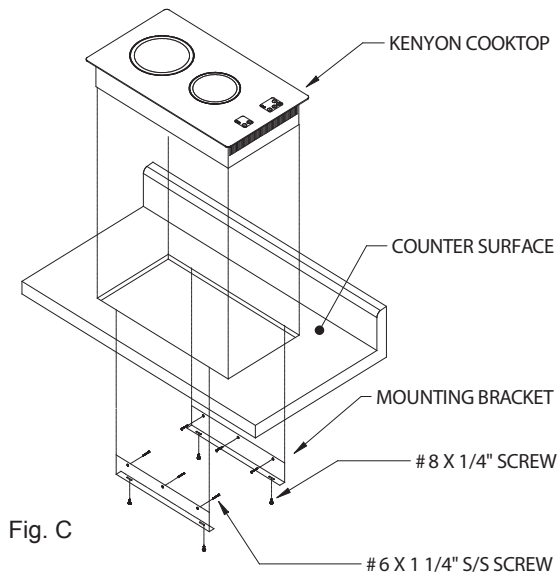


Fig. C

Attach the two mounting brackets as shown (see Fig. C) to the inside vertical surface of the cutout. The brackets are to be mounted on opposing sides. Center the bracket in the opening, **flush with the countertop** and secure with #6 self-tapping screws that are provided. Position the cooktop in the cutout opening and press firmly on all sides to seal the glass into the bedding compound. Secure the cooktop to the brackets from underneath with the small sheet metal screws that are supplied.

BE CAREFUL NOT TO OVERTIGHTEN THE SCREWS..

STEP #5

Electrical Connection

Before proceeding further, verify that the power supply is disconnected. Verify that the appropriate electrical supply requirements have been met. Please refer to the table on page 2 for appropriate electrical requirements. The cooktop is supplied with a 36-inch long conduit for a connection to an accessible junction box. The 240V and 208V conduit consists of three insulated wires. There are two insulated hot lead conductors (red and black) and one insulated ground conductor (green). The 120V conduit consists of three insulated wires. There is the hot lead conductor (black), the neutral conductor (white) and one insulated ground conductor (green).

Attach conductor wires to residence wiring in accordance with national, state and local electric codes.



Warning - Grounding

The entire appliance must be grounded at all times when the electrical power supply is on. Do not ground the appliance with the neutral house supply wire (white). A separate ground must be used.

STEP #6

Final Preparations Prior to Use

Remove the plastic film from the cooktop. Clean the cooktop before you use it for the first time. A thorough cleaning with a recommended cooktop cleaner (**Cerama Bryte Ceramic Cooktop Cleaner**) will provide a clean, shiny coating on the cooktop surface.

The next section of the manual covers cooktop use, maintenance, safety and service information.

Please keep these instructions with the KENYON cooktop for future reference.

USER'S GUIDE & CARE

SAFETY

**Read this section BEFORE operating the cooktop.
The following information applies to all KENYON
Electric Cooktops.**

This cooktop, like all appliances, has the potential to create safety problems through careless and improper use. Please observe all of the following safety precautions.

Proper Installation

Be sure your appliance is properly installed and grounded by a qualified technician.

Never use your appliance for warming or heating the room.

Do not leave children alone.

Children should never be left alone or unattended in the area where the appliance is in use. They should never be allowed to sit or stand on any part of the appliance. Do not store items of interest to a child in cabinets above cooktop. Children climbing on the cooktop to reach such items could be seriously injured.

Wear proper clothing/apparel.

Loose fitting or hanging garments should never be worn while using the appliance.

User Servicing

Do not repair or replace any part of the appliance. If service ever becomes necessary, this appliance should be serviced by **AUTHORIZED PERSONNEL ONLY** or call **KENYON Customer Care at (860) 664-4906**.

Keep flammable materials away from cooktop.

Do not store plastic material (such as plastic utensils) in storage areas beneath cooktop.

Plastic items with low melting temperatures should not be stored under/over or near the cooktop.

Do not use water on grease fires.

Smother fire or flame or use dry chemical or foam-type extinguisher.

Use only dry potholders.

Moist or damp potholders on hot surfaces may result in burns from steam. Do not let potholder touch the heating elements on the appliance. Do not use a towel or other bulky cloth in place of a potholder.

Do not cook on broken cooktop.

If cooktop should break, cleaning solutions and spillovers may penetrate the broken cooktop and create a risk of electric shock. Contact an authorized service center or KENYON Customer Care immediately at (860) 664-4906.

Clean cooktop with caution.

If a wet sponge or cloth is used to wipe spills on a hot cooking surface, be careful to avoid steam burns. Some cleaners produce noxious fumes if applied to a hot surface. Read the cleaner label for details prior to using.

DO NOT TOUCH HEATING ELEMENTS

The heating elements on the cooktop may be hot even if they are dark in color. These areas may be hot enough to cause burns. Never touch heating elements until they have had sufficient time to cool. Likewise, never allow clothing or flammable materials to come in contact with heating elements or cooktop surfaces until they have had sufficient time to cool. Other surfaces of the appliance may become hot enough to cause burns.

Use proper pan size.

This appliance is equipped with one or more surface units of different size. Select utensils having flat bottoms large enough to cover the surface unit heating element. The use of undersized utensils will expose a portion of the heating element to direct contact and may result in ignition of clothing. Proper relationship of utensil to burner will also improve efficiency.

Never Leave Surface Units Unattended at High Heat Settings.

Boilover causes smoking and greasy spillovers that may ignite.

Utensil Handles Should be Turned Inward and Not Extend Over Adjacent Surface Units.

To reduce the risk of burns, ignition of flammable materials, and spillage due to unintentional contact with the utensil, the handle of a utensil should be positioned so that it is turned inward, and does not extend over adjacent surface units.

Do not discard these instructions, keep them with the KENYON cooktop for future reference.

OPERATION

READ SAFETY INSTRUCTIONS BEFORE OPERATING YOUR APPLIANCE

The cooking surface areas of your glass ceramic cooktop are identified by permanent patterns in the cooktop. The appliance is easy to maintain and easy to clean. Keeping the cooktop in top performance can be achieved by following the simple guidelines for use and cleaning below:

Use Good Quality Cookware

Since cookware plays an important role in cooking efficiency and convenience, keep in mind the following information when selecting your cookware.

Avoid pans with shaped and rounded bottoms as this inhibits the pan or pot in cooking evenly. The best quality pans and pots to use are the multi-ply stainless steel type. Kenyon sells such pots and pans called StackEN™. They come with a lifetime guarantee and are made in the USA. These pans and pots work exceptionally well on induction cooktops as well as radiant glass top stoves.

Use cookware of the correct diameter only. The base of the pot or pan should be about the same size as the cooking zone on which it is used – not much wider and not much smaller. By using utensils with the correct diameter, you should achieve maximum heating efficiency with the shortest possible cooking time.

Be certain that both the cooktop glass panel and the bottom of your pots and pans are clean and dry before use. By doing so, you will help prevent scratches and stains on your cooktop glass panel.

Heating Elements

This KENYON cooktop contains ribbon-type, radiant heating elements. The radiant elements will “light up” about 4-5 seconds after being turned on. The special design of these elements direct the heat up through the ceramic glass providing efficient cooking. Temperature limiters are included in each element to ensure that the safe operating temperature of the ceramic glass top is not exceeded. The temperature limiter will cycle the radiant element off to prevent exceeding the maximum surface temperature.

Knobs & Indicator Lights

The cooking area controls are called “infinite” controls. This type of control has an infinite selection of heat settings. The control settings begin at high and decrease heat output by cycling the heating elements between “off” and “on” as you turn the knob clockwise. The heating elements will stay “off” for longer periods and “on” for shorter periods as you turn the knob clockwise, thus reducing the heat output.

There are a series of lights that provide indications of burner operation and hot surfaces. These lights are located adjacent to the control knobs. When the control is in the “on” position, a red light is lit indicating which burner is on.

For your safety, we have incorporated a “HOT” indicator light. When lit, this light indicates that some part of the glass ceramic cooktop is too warm to touch or place articles upon. Do not place articles other than cookware on the cooking surface while this light is glowing.

Cleaning

Do not remove the control knobs for cleaning. The control knobs are not designed to be taken off repeatedly. If this occurs, the metal insert will loosen and will not grip the inside of the knob shaft. For general cleaning, use a soft cloth to get under the skirt of the knob.

To help ensure that the KENYON cooktop stays clean, follow these easy-care tips:

Clean the cooktop before you use it for the first time. A thorough cleaning with our recommended cooktop cleaner (**Cerama Bryte Ceramic Cooktop Cleaner**) will provide a coating on the cooktop prior to its first use. A sample is included with your Kenyon cooktop.

Always remove food spills, grease spatters and metal rub-off from cookware. A razor blade scraper or the equivalent works well to remove spillovers.

Clean the cooktop with a paper towel or a clean, soft cloth and a recommended cleaner. After cleaning, always wipe the cooktop with a clean, damp cloth to avoid cooked-on cleaner residue. Wipe the cooktop dry.

Do not use a dish towel or sponge to wipe off the cooktop. A film may be left by the detergent and may cause discoloration of the cooktop surface.

Avoid abrasive scouring cleaners of any kind. Also avoid using plastic, nylon or metal cleaning pads. They may scratch or melt onto the cooktop.

Avoid chemical cleaners such as chlorine bleach, ammonia, hydrofluoric acid or chemical oven cleaners. They can etch or discolor the surface.

Do not let anything that melts - plastic, aluminum foil, sugar, etc. come into contact with the cooktop surface when it is hot. Should something melt onto the surface, *immediately* move it to a cool area of the cooktop with a razor blade scraper and then remove it from the cooktop as soon as possible.

Kenyon International, Inc (the "Company") warrants its products in normal usage to be free of defects in materials and workmanship subject to the conditions and limitations below. Any part, which proves to be defective in normal usage during the warranty period will be repaired or replaced by the Company.

In order for product to be covered under this warranty it must be returned to the Company for evaluation. Please contact support@cookwithkenyon.com for return instructions.

This warranty covers certain products built by the Company and is subject to the following conditions and limitations:

1. The Company's liability shall be limited to repair or replacement (choice of remedy at Company's option) of electronic components as may be defective in materials or workmanship. This liability is limited to three years from the date of original installation or 42 months from invoice date, whichever comes first; this warranty covers parts and labor at pre-approved rates. Stainless steel is warranted with a lifetime guarantee to be rust free when cared for monthly as outlined in owner's manual. If corrosion begins, contact the Company with photo evidence of corrosion for replacement components.
2. Determination of suitability of the product for the use contemplated by the Buyer is the sole responsibility of the Buyer and the Company shall have no responsibility in connection with such suitability.
3. The Company shall not be liable for any damage resulting from:
 - failures due to use of the product in applications for which they are not intended;
 - failures due to corrosion, wear and tear, abuse, neglect, improper installation or maintenance;
 - failures due to breakage of glass, accidental or otherwise.
4. The Company shall be responsible for ground shipping charges to the location of the appliance (home) within the Continental United States and Canada. Any duties, express or special shipping charges are at the expense of the Buyer.
5. All labor allowed by the Company under this warranty must be pre-authorized and performed by an Authorized Kenyon International Service Center, unless otherwise specified in writing by the Company.

THERE ARE NO OTHER WARRANTIES OF MERCHANTABILITY, FITNESS FOR PURPOSE OR ANY OTHER KIND, EXPRESSED OR IMPLIED AND NONE SHALL BE IMPLIED BY LAW. The duration of any such warranties that are nevertheless implied by law for the benefit of a consumer, shall be limited to a period of three years from original purchase by the user. Some countries do not allow limitations on how long an implied warranty lasts, so this limitation may not apply to you.

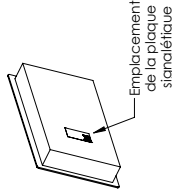
THE COMPANY SHALL NOT BE LIABLE FOR CONSEQUENTIAL OR INCIDENTAL DAMAGES ARISING FROM THE BREACH OF THIS WARRANTY, WHETHER EXPRESSED, IMPLIED OR STATUTORY. Some countries or states do not allow exclusion or limitation of consequential or incidental damages so this limitation or exclusion may not apply to you.

THIS WARRANTY GIVES YOU SPECIFIC LEGAL RIGHTS AND YOU MAY ALSO HAVE OTHER LEGAL RIGHTS THAT MAY VARY FROM COUNTRY TO COUNTRY AND STATE TO STATE.

Kenyon International, Inc.
P.O. Box 925 • 8 Heritage Park Road • Clinton, CT 06413 USA
Phone (860) 664-4906 FAX: (860) 664-4907

VEUILLEZ LIRE CES INSTRUCTIONS AU COMPLET AVANT D'INSTALLER ET D'UTILISER L'APPAREIL. NE JETEZ PAS CE MANUEL! CONSERVEZ-LE À DES FINS DE RÉFÉRENCE.

Veillez inscrire le numéro de série de votre
table de cuisson pour future référence ici : _____



FICHES TECHNIQUES DE PRODUITS

XL Deux feux de cuisson: *Arctic, Antarctic & Glacier*

- B41603, B49512 & B41706 - 120 V CA - un élément de 165 mm (6-1/2 po) à 1 200 W
un élément de 200 mm (8 po) à 1 400 W
- B41604, B49513 & B41707 - 240 V CA - un élément de 165 mm (6-1/2 po) à 1 200 W
un élément de 200 mm (8 po) à 1 800 W
- B41694, B49593 & B41794 - 208 V CA - un élément de 165 mm (6-1/2 po) à 1 200 W
un élément de 200 mm (8 po) à 1 800 W
533,4 mm x 431,8 mm x 82,6 mm

Dimensions générales :

(21 po x 17 po x 3-1/4 po)

Dimensions de découpe :

495,3 mm x 406,4 mm avec rayons de 6,4 mm
(19-1/2 po x 16 po avec rayons de 1/4 po)

Deux feux de cuisson: *Mediterranean & Alpine*

- B41510 & B49510 - 120 V CA - un élément de 165 mm (6-1/2 po) à 1 200 W
un élément de 200 mm (8 po) à 1 400 W
- B41511 & B49511 - 240 V CA - un élément de 165 mm (6-1/2 po) à 1 200 W
un élément de 200 mm (8 po) à 1 800 W
- B41591 & B49591 - 208 V CA - un élément de 165 mm (6-1/2 po) à 1 200 W
un élément de 200 mm (8 po) à 1 800 W

Dimensions générales :

590,6 mm x 362 mm x 82,6 mm

(23-1/4 po x 14-1/4 po x 3-1/4 po)

Dimensions de découpe :

552,5 mm x 323,9 mm avec rayons de 6,4 mm
(21-3/4 po x 12-3/4 po avec rayons de 1/4 po)

Trimline: *Mediterranean, Alpine, Caribbean & Cortez*

- B41515, B49515, B41601 & B41710 - 120 V CA - deux éléments de 165 mm (6-1/2 po) à 1 200 W chacun
- B41516, B49516, B41602 & B41711 - 240 V CA - deux éléments de 165 mm (6-1/2 po) à 1 200 W chacun
- B41596, B49596, B41692 & B41719 - 208 V CA - deux éléments de 165 mm (6-1/2 po) à 1 200 W chacun
533,4 mm x 304,8 mm x 82,6 mm

Dimensions générales :

(21 po x 12 po x 3-1/4 po)

508 mm x 273 mm avec rayons de 6,4 mm

(20 po x 10-3/4 po avec rayons de 1/4 po)

Dimensions de découpe :

(12 po x 12-1/2 po x 3-1/4 po)

273 mm x 292,1 mm avec rayons de 6,4 mm
(10-3/4 po x 11-1/2 po avec rayons de 1/4 po)

Feu de cuisson simple: *Mediterranean, Alpine, Caribbean & Cortez*

- B41517, B49517, B41605 & B41704 - 120 V CA - un élément de 165 mm (6-1/2 po) à 1 200 W
- B41518, B49518, B41606 & B41705 - 240 V CA - un élément de 165 mm (6-1/2 po) à 1 200 W
- B41598, B49598, B41696 & B41709 - 208 V CA - un élément de 165 mm (6-1/2 po) à 1 200 W
304,8 mm x 317,5 mm x 82,6 mm

Dimensions générales :

(12 po x 12-1/2 po x 3-1/4 po)

273 mm x 292,1 mm avec rayons de 6,4 mm
(10-3/4 po x 11-1/2 po avec rayons de 1/4 po)

(10-3/4 po x 11-1/2 po avec rayons de 1/4 po)

INSTRUCTIONS DE MONTAGE DES PLAQUES VITROCÉRAMIQUES KENYON

Important : Conservez la présente documentation pour examen par des inspecteurs locaux.

Important : Cet appareil doit être installé adéquatement et mis à la terre par un technicien qualifié.

ÉTAPE N° 1

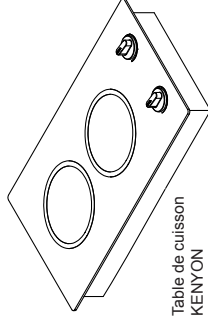
Déballage de la table de cuisson

Déballiez délicatement la table de cuisson de son carton d'expédition. Comme mesure préventive, conservez le carton d'expédition et le matériel d'emballage dans l'éventualité d'un besoin de renvoyer l'appareil pour réparation.

Confirmez que tous les articles sont présents. La boîte d'emballage devrait comprendre les articles énumérés ci-dessous. Si un des composants est manquant, appelez sur le champ KENYON.

Table de cuisson vitrocéramique • (2) supports de montage

(1) Emballage de vis de montage



Important : Ne retirez pas la pellicule plastique transparente de la surface vitrocéramique avant que la table de cuisson soit complètement installée et prête à être utilisée.

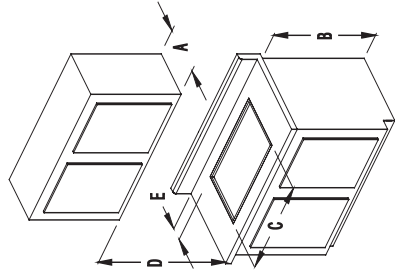
ÉTAPE N° 3

Préparation du comptoir

Veillez lire le présent texte avant de faire la découpe du comptoir pour la table de cuisson.

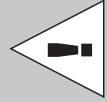
Il est important de planifier l'installation de la table de cuisson en se basant sur les dimensions ci-dessous (se référer à la Figure A).

- A - Eléments de rangement supérieurs d'une profondeur maximale de 33 cm (13 po)
- B - Hauteur minimale du dessus du comptoir à partir du plancher de 91 cm (36 po)
- C - La longueur minimale requise du comptoir pour asseoir la table doit être égale ou plus grande que l'emprise totale de la table de cuisson (se référer à la page suivante pour les dimensions générales des tables de cuisson).
- D - Un dégagement minimum de 76 cm (30 po) entre le dessus de la surface de cuisson et le dessous d'un élément de rangement en bois ou en métal non protégé par un isolant, ou de 61 cm (24 po) si le fond de l'élément de rangement en bois ou en métal est protégé par un matériau ignifuge d'une épaisseur minimale de 6 mm (1/4 po) recouvert d'une feuille d'acier de calibre minimum 28 MSG, ou d'acier inoxydable d'au moins 0,4 mm (0,015 po) d'épaisseur, ou d'aluminium d'au moins 0,6 mm (0,024 po) d'épaisseur ou de cuivre d'au moins 0,5 mm (0,020 po) d'épaisseur.
- E - Une distance minimale de 25 mm (1 po) entre le dossier du comptoir et le rebord de la surface vitrée (se référer à la page suivante pour les dimensions générales des tables de cuisson).



NE PAS INSTALLER A MOINS DE 12 mm (1/2 po) DE TOUTE SURFACE ADJACENTE.

Avertissement : Pour éliminer le danger de brûlures en étendant le bras au-dessus des éléments, évitez de monter tout élément de rangement au-dessus des unités chauffantes. Si un élément de hotte qui dépasse d'au moins 10 cm (5 po) l'élément de rangement.



Avant de faire la découpe du comptoir, contrôlez tous les dégagements. Assurez-vous d'un dégagement suffisant de la table de cuisson des appuis verticaux avant et latéraux du comptoir. Il est également important d'allouer un dégagement d'aération suffisant.

Un dégagement d'aération adéquat en dessous de la table de cuisson doit être alloué pour garantir un bon fonctionnement de l'appareil. La chaleur émise par le fond de l'appareil surchauffera l'air sous celui-ci si le dégagement n'alloue pas une circulation d'air suffisante.

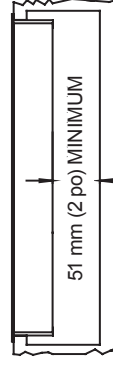


Fig. B

Étant donné que l'appareil nécessite une alimentation en air frais suffisante pour fonctionner au maximum de ses performances, l'armoire doit être conçue en conséquence. Les éléments suivants sont nécessaires pour cela :

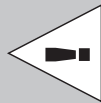
- L'armoire doit avoir au moins deux ouvertures; l'un pour laisser entrer l'air frais et l'autre pour que l'air chaud s'échappe de l'armoire.
- Les dimensions des ouvertures doivent être égales à 8 pouces carrés chacune. Ceci est pour des températures ambiantes de 85 ° F / 30 ° C et moins. Si la température ambiante autour de l'appareil est supérieure à 85 ° F / 30 ° C, des ouvertures de ventilation plus grandes peuvent être nécessaires.

ÉTAPE N° 2

Contrôlez les exigences de tension d'alimentation

L'installation de ce produit doit être conforme aux codes électriques nationaux, régionaux et locaux. Le tableau ci-dessous indique le voltage, l'intensité de courant électrique et la fréquence appropriés lors de l'utilisation de la table de cuisson.

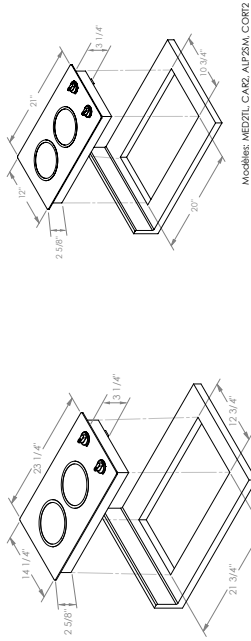
N° de pièce Kenyon	Modèle	Consommation maximale	Alimentation requise	Section de câble minimale
B41510	MED2	2 600 W	120 V CA/22 A/60 Hz	3 mm ² (n° 12 AWG)
B41511	MED2	3 000 W	240 V CA/12,5 A/60 Hz	3 mm ² (n° 12 AWG)
B41591	MED2	3 000 W	208 V CA/14,5 A/60 Hz	3 mm ² (n° 12 AWG)
B41515	MED2TL	2 400 W	120 V CA/20 A/60 Hz	3 mm ² (n° 12 AWG)
B41516	MED2TL	2 400 W	240 V CA/10 A/60 Hz	3 mm ² (n° 12 AWG)
B41596	MED2TL	2 400 W	208 V CA/11,5 A/60 Hz	3 mm ² (n° 12 AWG)
B41517	MED1	1 200 W	120 V CA/10 A/60 Hz	3 mm ² (n° 12 AWG)
B41518	MED1	1 200 W	240 V CA/5 A/60 Hz	3 mm ² (n° 12 AWG)
B41598	MED1	1 200 W	208 V CA/6 A/60 Hz	3 mm ² (n° 12 AWG)
B41601	CAR2	2 400 W	120 V CA/20 A/60 Hz	3 mm ² (n° 12 AWG)
B41602	CAR2	2 400 W	240 V CA/10 A/60 Hz	3 mm ² (n° 12 AWG)
B41682	CAR2	2 400 W	208 V CA/11,5 A/60 Hz	3 mm ² (n° 12 AWG)
B41603	ARCTIC2	2 600 W	120 V CA/22 A/60 Hz	3 mm ² (n° 12 AWG)
B41604	ARCTIC2	3 000 W	240 V CA/12,5 A/60 Hz	3 mm ² (n° 12 AWG)
B41694	ARCTIC2	3 000 W	208 V CA/14,5 A/60 Hz	3 mm ² (n° 12 AWG)
B41605	CAR1	1 200 W	120 V CA/10 A/60 Hz	3 mm ² (n° 12 AWG)
B41606	CAR1	1 200 W	240 V CA/5 A/60 Hz	3 mm ² (n° 12 AWG)
B41696	CAR1	1 200 W	208 V CA/6 A/60 Hz	3 mm ² (n° 12 AWG)
B41710	CORT2	2 400 W	120 V CA/20 A/60 Hz	3 mm ² (n° 12 AWG)
B41711	CORT2	2 400 W	240 V CA/10 A/60 Hz	3 mm ² (n° 12 AWG)
B41719	CORT2	2 400 W	208 V CA/11,5 A/60 Hz	3 mm ² (n° 12 AWG)
B41704	CORT1	1 200 W	120 V CA/10 A/60 Hz	3 mm ² (n° 12 AWG)
B41705	CORT1	1 200 W	240 V CA/5 A/60 Hz	3 mm ² (n° 12 AWG)
B41709	CORT1	1 200 W	208 V CA/6 A/60 Hz	3 mm ² (n° 12 AWG)
B49510	ALP2LG	2 600 W	120 V CA/22 A/60 Hz	3 mm ² (n° 12 AWG)
B49511	ALP2LG	3 000 W	240 V CA/12,5 A/60 Hz	3 mm ² (n° 12 AWG)
B49591	ALP2LG	3 000 W	208 V CA/11,5 A/60 Hz	3 mm ² (n° 12 AWG)
B49512	ANTARCTIC2	2 600 W	120 V CA/22 A/60 Hz	3 mm ² (n° 12 AWG)
B49513	ANTARCTIC2	3 000 W	240 V CA/12,5 A/60 Hz	3 mm ² (n° 12 AWG)
B49593	ANTARCTIC2	3 000 W	208 V CA/14,5 A/60 Hz	3 mm ² (n° 12 AWG)
B49515	ALP2SM	2 400 W	120 V CA/20 A/60 Hz	3 mm ² (n° 12 AWG)
B49516	ALP2SM	2 400 W	240 V CA/10 A/60 Hz	3 mm ² (n° 12 AWG)
B49596	ALP2SM	2 400 W	208 V CA/6 A/60 Hz	3 mm ² (n° 12 AWG)
B49517	ALP1	1 200 W	120 V CA/10 A/60 Hz	3 mm ² (n° 12 AWG)
B49518	ALP1	1 200 W	240 V CA/10 A/60 Hz	3 mm ² (n° 12 AWG)
B49598	ALP1	1 200 W	208 V CA/11,5 A/60 Hz	3 mm ² (n° 12 AWG)
B41706	GLACIER2	2 600 W	120 V CA/22 A/60 Hz	3 mm ² (n° 12 AWG)
B41707	GLACIER2	3 000 W	240 V CA/12,5 A/60 Hz	3 mm ² (n° 12 AWG)
B41794	GLACIER2	3 000 W	208 V CA/14,5 A/60 Hz	3 mm ² (n° 12 AWG)



Avertissement : S'il n'y a pas de circuit adéquat disponible, consultez un électricien qualifié avant de poursuivre l'installation.

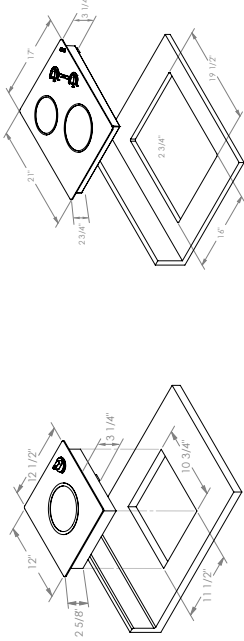
Allouez un dégagement minimum de 5 cm (2 po) entre le fond métallique de la table de cuisson et toute surface combustible située sous l'appareil, par ex. le rebord supérieur du tiroir installé sous celui-ci (voir la figure B à la page précédente). Si un dégagement et une aération adéquats ne sont pas alloués, cela pourrait constituer un danger d'incendie.

Les dimensions générales des tables de cuisson et de découpe requises pour chaque modèle sont indiquées ci-dessous :



Modèles: MEDZ, ALP2LG

Modèles: MEDZL, ALP2SM, COR2Z



Modèles: MED1, CAR1, ALP1, COR1

Modèles: ARCTCZ, ANI, ARCTCZ & GLACERZ

Remarque :

Lors de la découpe du comptoir, **arrondissez** les coins (un rayon de 6 mm (1/4 po) est standard). Ceci empêchera le comptoir de se fissurer à partir des coins. Pour le renforcement des coins de l'ouverture du comptoir et du rayon minimal, suivez les directives du fabricant du comptoir.

ÉTAPE N° 4

Montage de la table de cuisson

Deux supports métalliques sont fournis avec la table de cuisson. Ceux-ci servent à fixer fermement en place la table de cuisson. Le dessus de la table de cuisson n'a pas de cadre métallique et un calfeutrage devrait être appliqué pour le sceller au comptoir. **Utilisez un composé de calfeutrage souple pour prévenir tout dommage à la table dans l'éventualité de devoir la déposer pour entretien.** Nous recommandons l'utilisation d'un scellant d'un adhésif comme de la pâte de plombier, **d'une épaisseur comprimée maximale de 1.6 mm (1/16 po)**. Si désiré, un cordon de silicone peut être placé uniquement autour de la vitre.

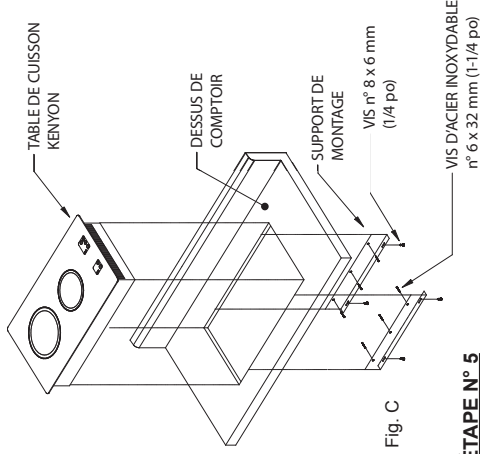


Fig. C

ÉTAPE N° 5

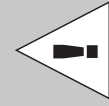
Raccordement électrique

Avant de poursuivre, confirmez la disponibilité de l'alimentation. Veuillez vous référer au tableau de la page 2 pour confirmer l'alimentation requise. Un câble de 90 cm (36 po) est fourni avec la table de cuisson pour raccordement à un boîtier de jonction. Le câble pour alimentations à 208 V et 240 V comprend trois fils isolés : fils d'alimentation (rouge et noir) et fil de masse (vert). Le câble pour alimentation à 120 V comprend trois fils isolés : fil d'alimentation (noir), fil de neutre (blanc) et fil de masse (vert).

Raccordez les fils à l'installation résidentielle en conformité aux codes électriques nationaux, régionaux et locaux. Attach conductor wires to residence wiring in accordance with national, state and local electric codes.

NE SERREZ PAS LES VIS OUTRE MESURE..

Montez les deux supports de fixation aux parois verticales de l'ouverture comme indiqué (voir Fig. C). Les supports se montent de part et d'autre de l'ouverture et doivent être **aligner avec le dessus du comptoir** et vissez-les solidement en place à l'aide des vis autotaraudeuses n°6 fournies. Insérez la table de cuisson dans l'ouverture et appuyez fermement sur tous les côtés pour sceller le verre sur le composé de calfeutrage. Par le dessous, joignez les supports au fond de la table à l'aide des petites vis à métal fournies.



Avertissement - Mise à la terre

Le boîtier de l'appareil doit être mis à la terre en permanence. Ne pas utiliser le fil de neutre (blanc) de l'installation résidentielle pour mettre l'appareil à la terre. Un fil de mise à la terre séparé doit être utilisé.

ÉTAPE N° 6

Dernière étape avant l'utilisation

Pelez la pellicule protectrice de la surface de cuisson et nettoyez-la avant de la faire chauffer. Un nettoyage complet avec le produit nettoyant recommandé (**Cerama Bryte Ceramic Cooktop Cleaner**) déposera un enduit propre et brillant sur la surface de cuisson.

La partie suivante du manuel couvre l'emploi, l'entretien et la sécurité d'utilisation ainsi que les renseignements sur la réparation.

Veillez garder le présent manuel à portée de main pour future référence.

SÉCURITÉ

Lire la présente section AVANT d'utiliser la table de cuisson. Les informations suivantes s'appliquent à toutes les tables de cuisson électriques KENYON.

Comme tous les appareils de cuisson, cette table de cuisson peut devenir une source potentielle de danger si elle est mal utilisée ou entretenue. Veuillez vous conformer à toutes les mesures de sécurité indiquées ci-dessous.

Installation adéquate

Assurez-vous que le présent appareil est adéquatement installé et mis à la terre par un technicien qualifié.

N'utilisez jamais cette installation pour le chauffage domestique.

Ne pas laisser sans surveillance en présence d'enfants.

Les jeunes enfants ne devraient jamais être laissés sans surveillance dans la pièce où la table de cuisson est utilisée. Ils ne devraient jamais être autorisés à s'asseoir ou monter sur toute partie de l'appareil. Ne pas garder d'articles pouvant intéresser les enfants dans les éléments de rangement au-dessus de la table de cuisson. Les enfants qui monteraient sur la table de cuisson pour atteindre de tels objets pourraient se blesser gravement.

Portez des vêtements et des protections appropriés.

Des vêtements amples ou accessoires suspendus ne devraient jamais être portés en cuisinant.

Réparation

Ne remplacez ou réparez aucune pièce de l'appareil. Si votre unité tombe en panne, la réparation doit être effectuée par du **PERSONNEL AUTORISÉ SEULEMENT** ou composez : le numéro d'assistance à la clientèle KENYON (860) 664-4906.

Gardez toute matière inflammable à l'écart de la table de cuisson.

Ne gardez pas d'objets en plastique tels des ustensiles en plastique dans les éléments de rangement sous la table de cuisson.

Les articles en plastique qui fondent à basse température ne doivent pas être gardés près de la table de cuisson.

Ne jamais asperger d'eau sur un feu de graisses.

Étouffez les flammes ou utilisez un extincteur chimique ou à mousse.

N'utilisez que des poignées isolantes sèches.

La vapeur engendrée par des poignées mouillées ou humides pourrait causer des brûlures. Ne laissez pas les poignées faire contact avec les surfaces chauffantes de l'appareil.

N'utilisez pas une serviette ou autre tissu épais au lieu de poignées de cuisine.

Ne jamais se servir d'une table de cuisson dont la surface est brisée.

Les surfaces de cuisson brisées ou fissurées pourraient laisser pénétrer les déversements ou solutions nettoyantes créant un danger de court-circuit ou d'électrocution.

Communiquez sur le champ avec un centre de service ou avec le Service d'assistance à la clientèle KENYON au (860) 664-4906.

Faites attention lors du nettoyage de la table de cuisson.

Si vous utilisez une éponge ou un linge humide pour essuyer les déversements sur la surface de cuisson chaude, prenez garde de ne pas subir de brûlure de vapeur. Certains produits nettoyant produisent des émanations nocives lorsqu'ils sont appliqués sur une surface chaude. Lisez l'étiquette du produit avant de l'utiliser.

NE TOUCHEZ PAS LES ÉLÉMENTS CHAUFFANTS

Les éléments de cuisson peuvent être chauds même s'ils sont de couleur sombre. Ils peuvent être assez chauds pour causer une brûlure. Ne touchez jamais les surfaces de cuisson avant qu'elles aient eu suffisamment de temps pour refroidir. Également, ne laissez jamais vos vêtements ou toute matière inflammable en contact avec les surfaces de cuisson avant qu'elles aient eu suffisamment de temps pour refroidir. Toute la surface de la table peut devenir brûlante.

Utilisez un ustensile de cuisson approprié.

La présente table de cuisson comprend un ou plusieurs éléments chauffants de diamètres différents. Utilisez des ustensiles à fond plat de diamètre suffisant pour recouvrir toute la surface de l'élément chauffant. L'utilisation d'ustensiles plus petits exposera une partie de l'élément chauffant créant un danger de brûlure ou d'inflammation des vêtements. L'utilisation d'ustensiles correspondant au diamètre de l'élément augmentera le rendement de l'appareil de cuisson.

Ne laissez jamais les éléments à un réglage de chaleur intense sans supervision.

Les déversements d'ébullition dégagent des fumées et les substances grasses peuvent s'enflammer.

Les poignées des ustensiles de cuisine devraient être tournées vers l'intérieur pour ne pas se trouver au-dessus des surfaces chauffantes adjacentes.

Pour réduire le danger de brûlure, de déversement accidentel et d'allumage de matières inflammables, les poignées des ustensiles de cuisine devraient être tournées vers l'intérieur et ne pas se trouver au-dessus des surfaces chauffantes adjacentes.

Ne jetez pas le présent manuel, conservez-le à portée de main pour future référence.

FONCTIONNEMENT

AVANT D'ALLUMER VOTRE APPAREIL, RELIRE LES DIRECTIVES DE SÉCURITÉ CI-DESSUS

Les surfaces de cuisson de votre table de cuisson vitrocéramique sont marquées en permanence sur l'appareil. L'appareil est facile à entretenir et à nettoyer. Pour garder la table de cuisson dans un état de performance maximale, suivez les consignes d'utilisation et de nettoyage simples ci-dessous.

Utilisez une batterie de cuisine de bonne qualité

Gardez à l'esprit les informations suivantes au moment de choisir vos casseroles et poêles, pour un maximum d'efficacité et de confort en cuisine.

Préférez les casseroles et poêles à fond plat pour une cuisson uniforme. Optez pour l'acier inoxydable multicouche qui offre une qualité incomparable. Les casseroles et poêles de la gamme StackKEN™ de Kenyon réunissent toutes ces caractéristiques. Elles sont fabriquées aux États-Unis et assorties d'une garantie à vie. Elles sont parfaitement adaptées aux plaques de cuisson à induction et en vitrocéramique à foyers radiants.

Utilisez uniquement une batterie de cuisine de diamètre approprié. Le diamètre de la base de la casserole ou de la poêle doit être plus ou moins équivalent à celui de la surface chauffante utilisée, ni trop grand ni trop petit. Le choix du bon diamètre garantit ainsi une répartition optimale de la chaleur et une cuisson plus rapide.

Assurez-vous que la plaque de cuisson en verre et le fond de vos casseroles et poêles sont propres et secs avant de vous mettre aux fourneaux. Vous éviterez ainsi de rayer ou de tacher votre plaque de cuisson en verre.

Éléments chauffants

Votre table de cuisson KENYON comprend des éléments en ruban irradiant la chaleur. Les éléments radiants « s'allumeront » environ 4 à 5 secondes après leur mise sous tension. La conception particulière de ces éléments dirige la chaleur vers le haut à travers la vitrocéramique pour un chauffage de cuisson efficace. Chaque élément comprend un limiteur de température pour assurer de ne pas excéder la température sécuritaire de la surface vitrocéramique. Ces limiteurs de température contrôleront la mise sous tension de façon cyclique pour ne pas excéder la température de fonctionnement maximale de la surface.

Boutons et témoins indicateurs

Les commandes de cuisson sont dénommées des « commandes infinies ». Ce type de commande de chaleur fournit un choix infini de réglages. L'intensité de chaleur commence au réglage élevé et décroît par la rotation dans le sens des aiguilles d'une montre du bouton par sectionnement (électronique) de l'onde de courant fournie à l'élément. La partie de l'onde de courant sectionnée sera de plus en plus petite au fur et à mesure de l'avancement de l'angle de rotation du bouton de commande conduisant à de moins en moins de puissance de chaleur.

Il y a une série de témoins procurant une indication du fonctionnement des surfaces de cuisson. Ceux-ci sont adjacents aux boutons de commande. Lorsque le bouton est actionné, un témoin rouge s'allume indiquant que l'élément chauffe.

Pour votre sécurité, nous avons intégré un témoin indiquant « HOT » (chaud). Lorsqu'il est allumé, ce témoin indique que la surface vitrocéramique de la table de cuisson est trop chaude pour le toucher ou pour y déposer des instruments. N'y placez pas d'autres articles que des ustensiles de cuisson aussi longtemps que ce témoin est allumé.

Nettoyage

Pour vous assurer que votre table de cuisson KENYON demeure propre, suivez les conseils simples ci-indiqués :

Nettoyez-la avant la première utilisation. Un nettoyage complet avec notre produit nettoyant recommandé (**Cerama Bryte Ceramic Cooktop Cleaner**) déposera un enduit protecteur sur la surface de cuisson. Un échantillon est compris avec votre table de cuisson Kenyon.

Nettoyez toujours les déversements de nourriture, les éclaboussements de graisses et les marques de fonds des ustensiles de cuisson métalliques sur la surface vitrée. Un grattoir à lame de rasoir ou outil similaire est efficace pour retirer les aliments collés à la surface.

Nettoyez la surface avec une serviette de papier ou un linge propre et doux, ainsi qu'un produit nettoyant recommandé. Après le nettoyage, essuyez toujours la surface avec un linge propre humide pour retirer tout résidu de produit nettoyant. Séchez la table de cuisson.

Ne pas utiliser de linge à vaisselle ou une éponge pour essuyer la table de cuisson. Un film de savon à vaisselle résiduel pourrait causer une décoloration de la surface.

Évitez tous les types de tampon à récurer incluant les tampons en plastique, en nylon ou en métal car ils pourraient égratigner ou fondre sur la surface de la table de cuisson.

Évitez les nettoyeurs chimiques tels les agents chlorés de blanchiment, l'ammoniac, l'acide fluorhydrique ou les nettoyeurs à four chimiques car ils pourraient attaquer et graver ou décolorer la surface.

Ne laissez aucun produit qui fond, en plastique, en feuilard d'aluminium, du sucre, etc., entrer en contact avec la surface de la table de cuisson lorsqu'elle est chaude. Si quelque chose fond sur la surface, déplacez-la *sur le champ* vers une aire plus froide de la table à l'aide d'un grattoir à lame de rasoir et puis retirez-la de la surface aussitôt que possible.

KENYON

Déclaration de garantie

Kenyon International, Inc. (la « Société ») garantit que ses produits, dans des conditions normales d'utilisation, sont exempts de tout défaut de matériau et de fabrication, sous réserve des conditions et limitations ci-dessous. Toute pièce s'avérant défectueuse dans des conditions normales d'utilisation pendant la période de garantie sera réparée ou remplacée par la Société.

Pour être couvert par la présente garantie, le produit doit être retourné à la Société à des fins de vérification. Veuillez contacter kenyonservice@cookwithkenyon.com pour obtenir les instructions relatives aux retours.

La présente garantie s'applique à certains produits fabriqués par la Société et est assujettie aux conditions et limitations suivantes :

- La responsabilité de la Société se limite à la réparation ou au remplacement (action corrective à la discrétion de la Société) des composants électroniques dont les matériaux ou la fabrication s'avèrent défectueux. Cette responsabilité est limitée à trois ans suivant la date d'installation d'origine ou à 42 mois suivant la date de facturation, selon la première occurrence. La présente garantie couvre les pièces et la main-d'œuvre à un taux professionnel préapprouvé. L'acier inoxydable est garanti à vie contre la rouille lorsqu'il est entretenu mensuellement, comme indiqué dans le manuel d'utilisation. Si le processus de corrosion est entamé, veuillez contacter la Société et lui faire parvenir des photos à titre de preuves pour obtenir des composants de rechange.
- L'adéquation du produit à l'usage envisagé par l'Acheteur relève de la seule responsabilité de l'Acheteur, et la Société ne peut être tenue responsable de cette décision.
- La Société ne peut être tenue responsable des dommages découlant de :
 - défaillances causées par l'utilisation du produit dans des applications pour lesquelles il n'a pas été prévu ;
 - défaillances causées par la corrosion, l'usure, une utilisation abusive, ou bien un montage ou entretien inadéquat ;
 - défaillances causées par le bris de verre, accidentel ou autre.
- La Société est responsable des frais d'expédition de retour par voie terrestre jusqu'au propriétaire de l'appareil dans les limites du continent nord-américain (États-Unis et Canada). Tous les autres frais de douane, de service express ou de livraison spéciale sont facturés à l'Acheteur.
- Tous les travaux autorisés par la Société en vertu de la présente garantie doivent être préalablement autorisés et effectués par le personnel d'un centre de service Kenyon International agréé, sauf indication contraire écrite de la Société.

AUCUNE AUTRE GARANTIE DE QUALITÉ MARCHANDE, DE CONFORMITÉ AUX BESOINS OU DE TOUTE AUTRE NATURE, EXPLICITE OU IMPLICITE, N'EST STIPULÉE OU PRÉSUMÉE PAR LA LOI. La durée des garanties présumées néanmoins par la loi pour protéger les consommateurs sera limitée à trois ans à compter de la date d'achat par l'utilisateur. Certains pays ne permettent pas les limitations de durée des garanties implicites, par conséquent il est possible que la présente limitation ne s'applique pas dans votre cas.

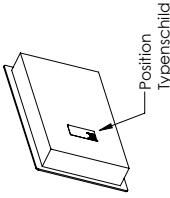
LA SOCIÉTÉ NE PEUT ÊTRE TENUE RESPONSABLE DE TOUT DOMMAGE CONSÉCUTIF OU INDIRECT RÉSULTANT D'UNE VIOLATION DE GARANTIE, QU'ELLE SOIT EXPLICITE, IMPLICITE OU PRÉVUE PAR LA LOI. Certains pays ou États ne permettent pas l'exclusion ou la limitation de dommages consécutifs ou indirects, par conséquent il est possible que la présente exclusion ou limitation ne s'applique pas dans votre cas.

LA PRÉSENTE GARANTIE VOUS CONFÈRE DES DROITS LÉGAUX PRÉCIS ET IL SE PEUT QUE VOUS BÉNÉFICIEZ D'AUTRES DROITS LÉGAUX EN FONCTION DE VOTRE PAYS OU ÉTAT.

Kenyon International, Inc.
P.O. Box 925 • 8 Heritage Park Road • Clinton, CT 06413 USA
Téléphone : (860) 664-4906 • Fax : (860) 664-4907

**BITTE LESEN SIE VOR EINBAU UND VERWENDUNG
DES GERÄTES DIESE ANLEITUNG VOLLSTÄNDIG DURCH.
WERFEN SIE DIESE ANLEITUNG NICHT WEG!
HEBEN SIE SIE ZUM SPÄTEREN NACHSCHLAGEN AUF.**

Notieren Sie bitte hier für etwaige spätere Rückfragen die
Seriennummer Ihres Kochfeldes: _____.



PRODUKTSPEZIFIKATIONEN

XL-Zwei Kochplatten Arctic, Antarctic & Glacier

- B41603, B49512 & B41706 - 120 VAC – eine Platte mit 6 1/2" (165 mm) mit 1200 Watt
eine Platte mit 8" (200 mm) mit 1400 Watt
 - B41604, B49513 & B41707 - 240 VAC – eine Platte mit 6 1/2" (165 mm) mit 1200 Watt
eine Platte mit 8" (200 mm) mit 1800 Watt
 - B41694, B49593 & B41794 -208 VAC – eine Platte mit 6 1/2" (165 mm) mit 1200 Watt
eine Platte mit 8" (200 mm) mit 1800 Watt
- Gesamtabmessungen:
21" x 17" x 3-1/4"
533,4 mm x 431,8 mm x 82,6 mm
- Ausschnittmaße:
19-1/2" x 16" mit 1/4" Radius
495,3 mm x 406,4 mm mit 6,4 mm Radius

Zwei Kochplatten: Mediterran & Alpine

- B41510 & B49510 - 120 VAC – eine Platte mit 6 1/2" (165 mm) mit 1200 Watt
eine Platte mit 8" (200 mm) mit 1400 Watt
 - B41511 & B49511 - 240 VAC – eine Platte mit 6 1/2" (165 mm) mit 1200 Watt
eine Platte mit 8" (200 mm) mit 1800 Watt
 - B41591 & B49591 -208 VAC – eine mit Platte 6 1/2" (165 mm) mit 1200 Watt
eine Platte mit 8" (200 mm) mit 1800 Watt
- Gesamtabmessungen:
23-1/4" x 14-1/4" x 3-1/4"
590,6 mm x 362,0 mm x 82,6 mm
- Ausschnittmaße:
21-3/4" x 12-3/4" mit 1/4" Radius
552,5 mm x 323,9 mm mit 6,4 mm Radius

Trimline: Mediterran, Alpine, Caribbean & Cortez

- B41515, B49515, B41601 & B41710 - 120 VAC – zwei Platten mit 6 1/2" (165 mm) mit je 1200 Watt
 - B41516, B49516, B41602 & B41711 - 240 VAC – zwei Platten mit 6 1/2" (165 mm) mit je 1200 Watt
 - B41596, B49596, B41692 & B41719 - 208 VAC – zwei Platten mit 6 1/2" (165 mm) mit je 1200 Watt
- Gesamtabmessungen:
21" x 12" x 3-1/4"
533,4 mm x 304,8 mm x 82,6 mm
- Ausschnittmaße:
20" x 10-3/4" mit 1/4" Radius
508 mm x 273 mm mit 6,4 mm Radius

Eine Kochplatte: Mediterran, Alpine, Caribbean & Cortez

- B41517, B49517, B41605 & B41704 - 120 VAC – eine Platte mit 6 1/2" (165 mm) mit 1200 Watt
 - B41518, B49518, B41606 & B41705 - 240 VAC – eine Platte mit 6 1/2" (165 mm) mit 1200 Watt
 - B41598, B49598, B41696 & B41709 - 208 VAC – eine Platte mit 6 1/2" (165 mm) mit 1200 Watt
- Gesamtabmessungen:
12" x 12-1/2" x 3-1/4"
304,8 mm x 317,5 mm x 82,6 mm
- Ausschnittmaße:
10-3/4" x 11-1/2" mit 1/4" Radius
273,0 mm x 292,1 mm mit 6,4 mm Radius

**EINBAUANLEITUNG FÜR KENYON
GLASKERAMIK-KOCHFELDER**

Wichtig: Heben Sie diese Unterlagen für die Überprüfung durch den örtlichen Prüfbeamten auf.

Wichtig: Dieses Gerät muss von einem zugelassenen Techniker ordnungsgemäß eingebaut und geerdet werden.

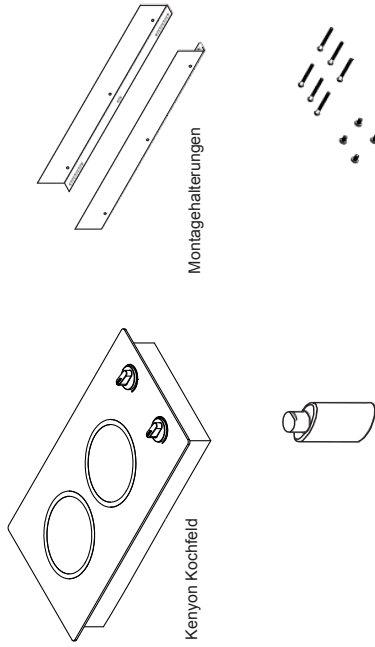
SCHRITT 1

Auspacken des Kochfeldes

Packen Sie das Kochfeld vorsichtig aus seinem Transportbehälter aus. Heben Sie Original-Transportkarton und Schutzverpackung möglichst auf, falls Sie das Gerät einmal zum Service zurückschicken müssen.

Überprüfen Sie den Packungsinhalt. Folgende Teile sollten im Karton enthalten sein. Falls etwas fehlt oder beschädigt ist, wenden Sie sich bitte telefonisch an KENYON.

- Glaskeramik-Kochfeld • (2) Montagehalterungen
(1) Packung Befestigungsschrauben • (1) Glaskeramik-Kochfeld-Reiniger



Important: Do not remove the clear plastic covering film on the ceramic glass until cooktop is ready to use.

SCHRITT 3

Vorbereitung der Arbeitsplatte

Bitte lesen Sie dieses Kapitel, bevor Sie die Arbeitsplatte für das Kochfeld ausschneiden.

Eine gute Vorausplanung für den Einbau des Kochfeldes ist sehr wichtig. Beachten Sie deshalb bitte die folgenden Abmessungen (siehe Abb. A).

- A – Maximale Tiefe darüber hängender Schränke: 13 Zoll (330 mm)
- B – Mindesthöhe der Arbeitsplatte über dem Fußboden: 36 Zoll (910 mm)
- C – Die Mindestabmessungen der ebenen Arbeitsplatte, auf der das Kochfeld platziert wird, müssen gleich groß oder größer sein als die Gesamtabmessungen des Kochfeldes (siehe nächste Seite).
- D – Mindestens 30 Zoll (760 mm) Zwischenraum zwischen der Oberkante des Kochfeldes und der Unterkante eines ungeschützten Holz- oder Metallschranks, bzw. 24 Zoll (610 mm) Mindestzwischenraum, wenn die untere Fläche des Holz- oder Metallschranks durch mindestens 1/4 Zoll (64 mm) starke flammhemmende Pappe geschützt ist, die mindestens mit Nr. 28 MSG Stahlblech, 0,015 Zoll (0,4 mm) starken Edelstahl, 0,024 Zoll (0,61 mm) starkes Aluminium oder 0,02 Zoll (0,5 mm) starkes Kupfer beschichtet ist.
- E – Mindestens 1 Zoll (25,4 mm) Abstand zwischen der Spritzschutzkante der Arbeitsplatte und der Glaskante (Gesamtabmessungen des Kochfeldes siehe nächste Seite).

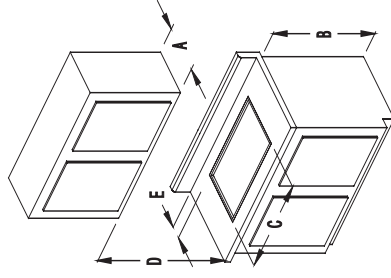
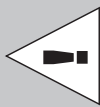


Abb. A

„Installieren Sie das Kochfeld nicht näher als 1/2 Zoll (12 mm) zu allen angrenzenden Flächen“.



Achtung: Um die Gefahr von Verbrennungen durch das Greifen über heiße Kochplatten zu verringern, sollten oberhalb des Kochfeldes keine Aufbewahrungsschränke angebracht werden. Falls ein Aufbewahrungsschrank unvermeidlich ist, kann die Gefahr durch Anbringen einer Dunstabzugshaube, die horizontal mindestens 5 Zoll (127 mm) vom Boden der Schränke absteht, verringert werden.

Bevor Sie die Arbeitsplatte ausschneiden, prüfen Sie die Abstände. Prüfen Sie, ob das Kochfeld ausreichend Abstand von den Vorder- und Seitenwänden des Unterschranks haben wird. Eine gute Belüftung ist ebenfalls sehr wichtig.

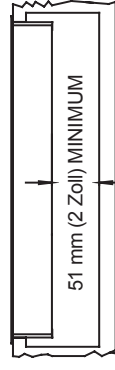


Abb. B

Unterhalb der Arbeitsplatte muss ausreichende Belüftung möglich sein, damit das Kochfeld ordnungsgemäß funktioniert. Bei ungenügender Belüftung kann sich während des Betriebs durch die abgegebene Wärme der Bereich um das Kochfeld übermäßig erhitzen.

- Da das Gerät eine ausreichende Frischluftzufuhr benötigt, um mit maximaler Leistung zu arbeiten, muss der Schrank entsprechend ausgelegt sein. Hierfür ist Folgendes erforderlich:
- Der Schrank muss mindestens zwei Öffnungen haben; eine, damit frische Luft eindringen kann, und die andere, damit heiße Luft aus dem Schrank entweichen kann.
 - Die Öffnungsgrößen müssen jeweils 8 Quadratzoll betragen. Dies gilt für Umgebungstemperaturen von 30 °C und darunter. Wenn die Umgebungstemperatur um das Gerät herum über 30 °C liegt, sind möglicherweise größere Lüftungsöffnungen erforderlich.


SCHRITT 2

Überprüfen Sie die Anforderungen der elektrischen Stromversorgung

Die Installation dieses Produkts muss entsprechend den nationalen und örtlichen Sicherheitsvorschriften (Electric Code) erfolgen. Folgende Tabelle zeigt die korrekten Spannungen, Stromstärken und Frequenzen, an die Ihr Kochfeld angeschlossen werden muss.

Kenyon Teile-Nr.	Modell	Max. angeschlossene Last	Erforderliche Stromversorgung	Mindest-Drahtstärke
B41510	MED2	2600 Watt	120 VAC/22A/60Hz	#12 AWG
B41511	MED2	3000 Watt	240 VAC/12.5A/60Hz	#12 AWG
B41591	MED2	3000 Watt	208 VAC/14.5A/60Hz	#12 AWG
B41515	MED2TL	2400 Watt	120 VAC/20A/60Hz	#12 AWG
B41516	MED2TL	2400 Watt	240 VAC/10A/60Hz	#12 AWG
B41596	MED2TL	2400 Watt	208 VAC/11.5A/60Hz	#12 AWG
B41517	MED1	1200 Watt	120 VAC/10A/60Hz	#12 AWG
B41518	MED1	1200 Watt	240 VAC/5A/60Hz	#12 AWG
B41598	MED1	1200 Watt	208 VAC/6A/60Hz	#12 AWG
B41601	CAR2	2400 Watt	120 VAC/20A/60Hz	#12 AWG
B41602	CAR2	2400 Watt	240 VAC/10A/60Hz	#12 AWG
B41692	CAR2	2400 Watt	208 VAC/11.5A/60Hz	#12 AWG
B41603	ARCTIC2	2600 Watt	120 VAC/22A/60Hz	#12 AWG
B41604	ARCTIC2	3000 Watt	240 VAC/12.5A/60Hz	#12 AWG
B41694	ARCTIC2	3000 Watt	208 VAC/14.5A/60Hz	#12 AWG
B41605	CAR1	1200 Watt	120 VAC/10A/60Hz	#12 AWG
B41606	CAR1	1200 Watt	240 VAC/5A/60Hz	#12 AWG
B41696	CAR1	1200 Watt	208 VAC/6A/60Hz	#12 AWG
B41710	CORT2	2400 Watt	120 VAC/20A/60Hz	#12 AWG
B41711	CORT2	2400 Watt	240 VAC/10A/60Hz	#12 AWG
B41719	CORT2	2400 Watt	208 VAC/11.5A/60Hz	#12 AWG
B41704	CORT1	1200 Watt	120 VAC/10A/60Hz	#12 AWG
B41705	CORT1	1200 Watt	240 VAC/5A/60Hz	#12 AWG
B41709	CORT1	1200 Watt	208 VAC/6A/60Hz	#12 AWG
B49510	ALP2LG	2600 Watt	120 VAC/22A/60 Hz	#12 AWG
B49511	ALP2LG	3000 Watt	240 VAC/12.5A/60Hz	#12 AWG
B49512	ALP2LG	3000 Watt	208 VAC/11.5A/60Hz	#12 AWG
B49513	ANTARCTIC2	2600 Watt	120 VAC/22A/60Hz	#12 AWG
B49593	ANTARCTIC2	3000 Watt	240 VAC/12.5A/60Hz	#12 AWG
B49515	ALP2SM	2400 Watt	208 VAC/14.5A/60Hz	#12 AWG
B49516	ALP2SM	2400 Watt	120 VAC/20A/60Hz	#12 AWG
B49596	ALP2SM 2	400 Watt	240 VAC/10A/60Hz	#12 AWG
B49517	ALP1	1200 Watt	208 VAC/6A/60Hz	#12 AWG
B49518	ALP1	1200 Watt	120 VAC/10A/60Hz	#12 AWG
B49598	ALP1	1200 Watt	240 VAC/10A/60Hz	#12 AWG
B41706	GLACIER2	2600 Watt	120 VAC/11.5A/60Hz	#12 AWG
B41707	GLACIER2	3000 Watt	120 VAC/22A/60Hz	#12 AWG
B41794	GLACIER2	3000 Watt	240 VAC/12.5A/60Hz	#12 AWG

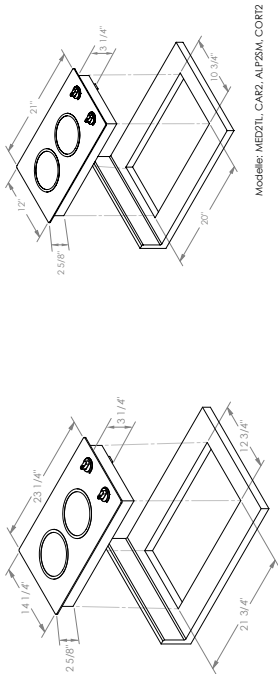
Die Stromversorgung muss über einen separat geerdeten Stromkreis erfolgen, der durch einen Leitungsschutzschalter abgesichert und für die Spezifikationen der einzelnen Modelle, wie in der obigen Tabelle angeführt, ausgelegt ist.



Achtung: Wenn die elektrische Stromversorgung nicht mit den Produktspezifikationen übereinstimmt, kontaktieren Sie bitte einen zugelassenen Elektriker, bevor Sie mit der Installation beginnen.

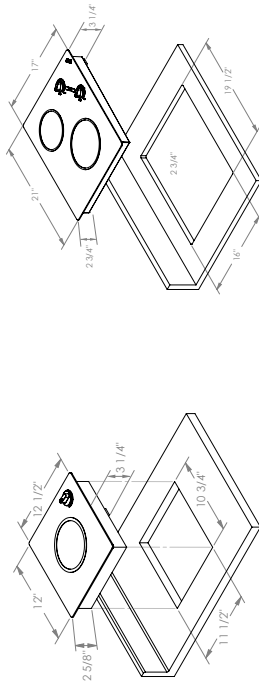
Lassen Sie zwischen der unteren Fläche der Metallwanne des Kochfeldes und etwaigen brennbaren Flächen darunter (z. B. der Oberkante einer Schublade unter dem Kochfeld) mindestens 2 Zoll (51 mm) Zwischenraum (siehe Abb. B auf der vorigen Seite). Die Nichterhaltung der ordnungsgemäßen Abstände und der Belüftung kann zu einem Brand führen.

Die Abmessungen des Kochfeldes sowie des Ausschnitts für die einzelnen Modelle sehen Sie unten:



Modelle: MED2, ALP2LG

Modelle: MED2IL, CAR2, ALP2SM, COR2



Modelle: MED1, CAR1, ALP1, COR1

Modelle: ARCTIC2, ANIARCTIC2 & GLACIER2

SCHRITT 4

Anmerkung:
Runden Sie die Ecken des Ausschnitts in der Arbeitsplatte ab (üblicherweise 1/4 Zoll Radius, 6,4 mm). Dadurch wird verhindert, dass die Arbeitsplatte Sprünge oder Risse bekommt. Befolgen Sie die Empfehlungen des Arbeitsplattenherstellers bezüglich des Mindest-Eckenradius und der Verstärkung der Ecken.

SCHRITT 4

Einbau des Kochfeldes

Das Kochfeld wird mit zwei Metall- Montagehalterungen geliefert. Mit diesen Halterungen wird das Kochfeld an seinem Platz fixiert. Das Kochfeld besitzt keinen Metallrahmen und sollte auf der Arbeitsplatte abgedichtet werden. **Verwenden Sie weiche Dichtungsmasse, damit bei eventuellem späterem Entfernen zu Reparaturzwecken etc. nichts beschädigt wird. Wir empfehlen nicht-klebende Dichtungsmasse (z. B. Kitt) mit einer maximalen Stärke im komprimierten Zustand von 1/16" (1,6 mm).** Silikon darf nur zur Abdichtung der Glaskante verwendet werden, falls gewünscht.

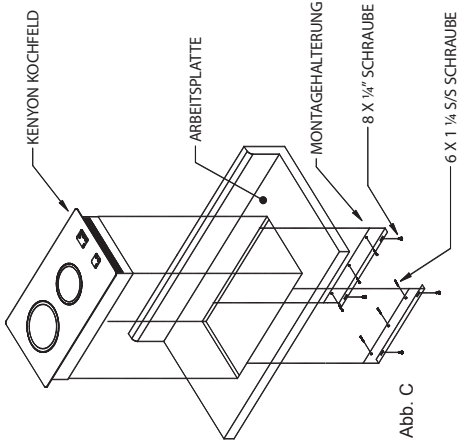


Abb. C

SCHRITT 5

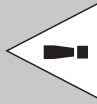
Elektrischer Anschluss

Bevor Sie fortfahren, überprüfen Sie, ob die Stromversorgung getrennt ist. Überprüfen Sie, ob die Anforderungen des Kochfeldes an die Stromversorgung erfüllt sind. Die Anforderungen an die elektrische Stromversorgung finden Sie in der Tabelle auf Seite 2. Das Kochfeld wird mit einem 36 Zoll langen Kabel für den Anschluss an einen zugänglichen Verteiler geliefert. Das Kabel für 240 V und 208 V besteht aus drei isolierten Drähten. Zwei der isolierten Drähte sind für den Anschluss an die Spannung (rot und schwarz) gedacht, der dritte isolierte Draht für den Anschluss an die Erde (grün). Das Kabel für 120 V besteht aus drei isolierten Drähten. Einer der isolierten Drähte gilt für den Anschluss an die Spannung führende Leitung (schwarz), der zweite für den Neutralleiter (weiß), und der dritte isolierte Draht ist für den Anschluss an die Erde (grün) gedacht.

Verbinden Sie die Drähte im Haushalt entsprechend den nationalen und örtlichen technischen Sicherheitsvorschriften.

Achtung – Erdung

Wenn die elektrische Stromversorgung eingeschaltet ist, muss das gesamte Gerät zu jeder Zeit mit der Erde verbunden sein. Erden Sie das Gerät nicht mit dem Anschluss für den Neutralleiter (weiß). Es muss ein separater Erdungsanschluss verwendet werden.



SCHRITT 6

Letzte Vorbereitungen vor der Inbetriebnahme

Ziehen Sie die Kunststoffolie vom Kochfeld ab. Reinigen Sie das Kochfeld, bevor Sie es zum ersten Mal verwenden. Eine gründliche Reinigung mit einem empfohlenen Kochfeld-Reiniger (**Cerama Bryte Glaskeramik-Kochfeld-Reiniger**) sorgt für eine saubere, glänzende Schutzschicht auf der Kochfeld-Oberfläche.

Im nächsten Kapitel werden Verwendung, Wartung und Sicherheit des Kochfeldes sowie Serviceinformationen erläutert.

Bitte bewahren Sie diese Anleitung mit dem KENYON Kochfeld zum späteren Nachschlagen gut auf.

BEDIENUNGS- UND PFLEGEANLEITUNG

SICHERHEIT

Lesen Sie dieses Kapitel, BEVOR Sie das Kochfeld in Betrieb nehmen. Folgende Angaben gelten für alle elektrischen KENYON Kochfelder.

Bei diesem Kochfeld können, wie bei jedem anderen Gerät auch, durch unvorsichtige und unsachgemäße Verwendung Sicherheitsprobleme entstehen. Bitte beachten Sie deshalb alle folgenden Sicherheitsvorkehrungen.

Ordnungsgemäße Installation

Stellen Sie sicher, dass dieses Gerät von einem zugelassenen Techniker ordnungsgemäß eingebaut und geerdet wurde.

Verwenden Sie dieses Gerät niemals, um den Raum zu heizen.

Lassen Sie Kinder nie unbeaufsichtigt in seine Nähe.

Kinder sollten sich niemals alleine oder unbeaufsichtigt in der Nähe des Geräts aufhalten, wenn dieses in Betrieb ist. Kinder sollten niemals auf Teilen des Gerätes sitzen oder stehen. Bewahren Sie oberhalb des Kochfeldes keine Gegenstände auf, die das Interesse eines Kindes wecken könnten. Wenn ein Kind auf das Kochfeld klettert, um diese Gegenstände zu erreichen, könnte dies zu schweren Verletzungen führen.

Tragen Sie geeignete Kleidung.

Lockere oder herabhängende Kleidungsstücke sollten während der Verwendung des Gerätes nicht getragen werden.

Instandhaltung durch den Benutzer

Reparieren oder ersetzen Sie niemals selbst Teile des Gerätes. Falls jemals eine Reparatur notwendig werden sollte, darf dies nur durch **DAZU BERECHTIGTE PERSONEN** erfolgen, oder rufen Sie den **KENYON Kundendienst unter (860) 664-4906** an.

Halten Sie entflammbare Materialien fern vom Kochfeld.

Bewahren Sie keine Kunststoffmaterialien (wie z. B. Küchengeräte aus Kunststoff) unterhalb des Kochfeldes auf.

Kunststoffgegenstände mit niedrigem Schmelzpunkt dürfen nicht unter/über oder neben dem Kochfeld aufbewahrt werden.

Löschen Sie Fettbrände niemals mit Wasser.

Ersticken Sie das Feuer oder die Flamme oder verwenden Sie chemische Trockenfeuerlöscher oder Schaumfeuerlöscher.

Verwenden Sie nur trockene Topflappen.

Feuchte oder nasse Topflappen können auf heißen Oberflächen zu Verbrennungen durch Wasserdampf führen. Geben Sie Acht, dass der Topflappen nicht mit den Heizelementen des Geräts in Berührung kommt. Verwenden Sie keine Handtücher oder voluminösen Tücher anstatt eines Topflappens.

Kochen Sie nicht auf einem gebrochenen Kochfeld.

Falls das Kochfeld gebrochen ist, können Reinigungslösungen und übergekochte Flüssigkeit in das gebrochene Kochfeld eindringen und zu einem elektrischem Stromschlag führen. Wenden Sie sich unverzüglich an eine autorisierte Reparaturstelle oder an den KENYON Kundendienst unter (860) 664-4906.

Geben Sie beim Reinigen des Kochfeldes gut Acht.

Falls Sie einen nassen Schwamm oder ein nasses Tuch verwenden, um Verschüttetes auf einer heißen Kochplatte zu entfernen, geben Sie Acht, sich nicht durch den Dampf zu verbrennen. Einige Reinigungsmittel erzeugen giftige Dämpfe, wenn sie mit einer heißen Oberfläche in Berührung kommen. Lesen Sie vor der Verwendung eines Reinigungsmittels das Etikett.

BERÜHREN SIE NICHT DIE HEIZELEMENTE

Die Heizelemente des Kochfeldes können heiß sein, auch wenn sie schwarz aussehen. Diese Flächen können dennoch heiß genug sein, um Verbrennungen zu verursachen. Berühren Sie niemals die Heizelemente, bevor diese ausreichend abgekühlt sind. Geben Sie Acht, dass keine Tücher oder entflammbare Materialien mit den Heizelementen in Berührung kommen, bevor diese ausreichend abgekühlt sind. Auch andere Oberflächen des Gerätes können heiß genug werden, um Verbrennungen zu verursachen.

Verwenden Sie die korrekte Pfannengröße.

Dieses Gerät ist mit einer oder mehreren Kochplatten verschiedener Größen ausgestattet. Wählen Sie Kochgefäße mit ebenem Boden, der groß genug ist, um die gesamte Fläche des Heizelements zu bedecken. Durch Verwendung zu kleiner Kochgefäße kann es zu direktem Kontakt eines Teils des Heizelements z. B. mit den Griffen kommen, und dies kann zu Entzündung des Materials führen. Ein korrektes Verhältnis des Kochgefäßes zur Kochplatte erhöht außerdem auch den Wirkungsgrad.

Lassen Sie Kochplatten bei hohen Temperatureinstellungen niemals unbeaufsichtigt.

Beim Überkochen kann es durch Rauch und Fett zur Entzündung kommen.

Die Griffe des Kochgefäßes sollten immer nach innen gedreht sein und nicht über angrenzende Kochplatten ragen.

Um die Gefahr von Verbrennungen, das Entzünden entflammbarer Materials und das Verschütten durch unbeabsichtigte Berührung des Kochgefäßes zu verringern, sollte der Griff des Kochgefäßes so gedreht werden, dass er nach innen sieht und nicht über angrenzende Kochplatten ragt.

Bitte werfen Sie diese Anleitung nicht weg, sondern bewahren Sie sie mit dem KENYON Kochfeld zum späteren Nachschlagen gut auf.

BEDIENUNG

LESEN SIE DIE SICHERHEITSSANWEISUNGEN, BEVOR SIE IHR GERÄT IN BETRIEB NEHMEN

Die Bereiche der Kochplatten Ihres Glaskeramik-Kochfeldes sind durch Permanenmarkierungen auf der Oberfläche gekennzeichnet. Das Gerät ist einfach zu warten und zu reinigen. Halten Sie Ihr Gerät durch Beachtung folgender einfacher Richtlinien zum Gebrauch und zur Reinigung immer in einwandfreiem Zustand:

Verwenden Sie hochwertiges Kochgeschirr

Da das Kochgeschirr sowohl bei der Kocheffizienz als auch beim Komfort eine entscheidende Rolle spielt, beachten Sie bitte folgende Tipps, wenn Sie Ihr Kochgeschirr auswählen.

Vermeiden Sie Pfannen mit geformten und gerundeten Böden, da dies ein gleichmäßiges Garen in der Pfanne oder im Topf verhindert. Die qualitativ hochwertigsten Pfannen und Töpfe bestehen aus mehrschichtigem Edelstahl. Kenyon verkauft solche Töpfe und Pfannen unter dem Namen StackEN™. Sie bieten eine lebenslange Garantie und werden in den USA hergestellt. Diese Pfannen und Töpfe eignen sich hervorragend für Induktionskochfelder und Glaskeramikherde.

Verwenden Sie nur Kochgeschirr mit dem richtigen Durchmesser. Die Standfläche des Topfes sollte etwa dieselbe Größe haben wie die Kochplatte, auf der er steht – nicht viel größer und auch nicht viel kleiner. Durch den Einsatz von Kochgefäßen mit dem korrekten Durchmesser erreichen Sie normalerweise die beste Wärmeausnutzung mit den kürzest möglichen Garzeiten.

Vergewissern Sie sich, dass sowohl die Glaskeramik-Kochfläche als auch der Boden Ihres Kochgeschirrs sauber und trocken sind, bevor Sie zu kochen beginnen. Dies hilft, Kratzer und Flecken auf Ihrem Glaskeramik-Kochfeld zu vermeiden.

Heizelemente

Dieses KENYON Kochfeld besitzt bandartige, runde Heizelemente. Die runden Heizelemente beginnen etwa 4–5 Sekunden nach dem Einschalten zu „leuchten“. Durch die spezielle Konstruktion dieser Heizelemente wird die Hitze direkt nach oben durch die Glaskeramikfläche geleitet, um effizientes Kochen zu ermöglichen. Jedes Heizelement beinhaltet einen Temperaturbegrenzer, um zu gewährleisten, dass die sichere Betriebstemperatur des Glaskeramikfeldes nicht überschritten wird. Der Temperaturbegrenzer schaltet das Heizelement bei Erreichen einer gewissen Temperatur aus, um eine Überhitzung der Oberfläche zu vermeiden.

Knöpfe und Anzeigelampen

Das Kochfeld besitzt sogenannte „stufenlose“ Regler, da diese Art der Regelung „unendlich“ kleine Unterteilungen für die Wärmeeinstellung besitzt. Die Wärmeeinstellung beginnt mit dem Maximum, und je weiter Sie den Einstellknopf im Uhrzeigersinn drehen, desto geringer wird die Wärmeabgabe, indem das Heizelement „ein“ und „aus“ geschaltet wird. Das heißt, je weiter Sie den Knopf im Uhrzeigersinn drehen, desto länger ist die „Aus“-Periode und desto kürzer ist die „Ein“-Periode.

Eine Reihe von Anzeigen gibt Auskunft über den Betrieb der Kochplatten und heiße Oberflächen. Diese Lampen befinden sich direkt neben den Reglerknöpfen. Wenn sich der Regler in der Stellung „Ein“ befindet, zeigt eine rote Lampe an, dass die Kochplatte eingeschaltet ist.

Zu Ihrer Sicherheit haben wir auch eine Anzeigelampe „HOT“ (HEISS) eingebaut. Wenn diese leuchtet, bedeutet dies, dass einige Bereiche des Glaskeramik-Kochfeldes zu heiß sind, um sie zu berühren oder Gegenstände darauf zu stellen. Stellen Sie, solange diese Lampe leuchtet, nichts anderes außer Kochgeschirr auf das Kochfeld.

Kochgeschirr

Wahrscheinlich können Sie Ihr bestehendes Kochgeschirr auch mit Ihrem neuen Glaskeramik-Kochfeld weiterverwenden. Zum Kochen auf einem Glaskeramik-Kochfeld benötigen Sie keine speziellen Töpfe oder Pfannen. Da das Kochgeschirr sowohl bei der Kocheffizienz als auch beim Komfort eine entscheidende Rolle spielt, beachten Sie bitte folgende Tipps, wenn Sie Ihr Kochgeschirr auswählen.

Der Boden des Kochgeschirrs sollte flach und eben sein. Sie können zwar auch Glas und andere Arten von Kochgeschirr verwenden, jedoch geben Metallgefäße mit starken, glatten und flachen Böden die Wärme besser an das Kochgut weiter. Am besten geeignet sind Kochgefäße aus Aluminium und Edelstahl. Verwenden Sie kein Kochgeschirr mit geformten und runden Böden, sowie Gefäße, die sich bei Erhitzung wölben.

Kenyon International Inc. (das „Unternehmen“) garantiert, dass seine Produkte bei normalem Gebrauch frei von Mängeln in Bezug auf Material und Verarbeitung sind – mit unten angeführten Bedingungen und Einschränkungen. Jedes Teil, das sich bei normaler Verwendung während des Gewährleistungszeitraums als defekt erweist, wird vom Unternehmen repariert oder ersetzt.

Damit das Produkt von dieser Gewährleistung erfasst ist, muss es zur Bewertung an das Unternehmen zurückgesandt werden. Bitte wenden Sie sich an kenyonservice@cookwithkenyon.com, um Anweisungen zur Rücksendung zu erhalten.

Diese Gewährleistung gilt für bestimmte vom Unternehmen gefertigte Produkte und unterliegt folgenden Bedingungen und Einschränkungen:

- Die Haftung des Unternehmens beschränkt sich auf Reparatur oder Ersatz (die Wahl der Maßnahme obliegt dem Unternehmen) der elektronischen Komponenten, die Material- oder Verarbeitungsfehler aufweisen. Diese Haftung gilt für drei Jahre, beginnend mit dem Datum des ersten Einbaus, oder 42 Monate ab dem Rechnungsdatum, je nachdem, was zuerst eintritt. Die Gewährleistung deckt die Teile sowie Arbeitszeitkosten in vorab genehmigter Höhe ab. Für Edelstahl gilt bei monatlicher Pflege, wie in der Bedienungsanleitung angegeben, eine lebenslang garantierte Rostfreiheit. Sollte Korrosion einsetzen, wenden Sie sich mit einem Foto-Nachweis der Korrosion an das Unternehmen, um Ersatzkomponenten zu erhalten.
- Die Entscheidung über die Eignung des Produkts für den vom Käufer beabsichtigten Zweck liegt in der alleinigen Verantwortung des Käufers. Das Unternehmen übernimmt im Zusammenhang mit dieser Eignung keine Haftung.
- Das Unternehmen kann für folgende Schäden nicht haftbar gemacht werden:
 - Fehler oder Störungen aufgrund einer Verwendung des Produkts, für die es nicht bestimmt ist;
 - Fehler oder Störungen aufgrund von Korrosion, Verschleiß, falscher Installation oder Wartung;
 - Fehler aufgrund von Glasbruch, sowohl versehentlich als auch anderweitig.
- Das Unternehmen übernimmt die Kosten für den Versand auf dem Landweg bis zum Einsatzort des Geräts (Heim) auf dem Festland der Vereinigten Staaten und in Kanada. Alle Abgaben, Express- oder Sondereinsendekosten gehen zu Lasten des Käufers.
- Alle vom Unternehmen unter dieser Gewährleistung genehmigten Arbeiten müssen, sofern nicht anders vom Unternehmen angegeben, vorab genehmigt und von einem autorisierten Kenyon International Servicecenter durchgeführt werden.

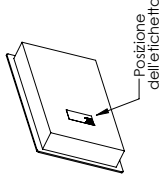
ES GIBT KEINE WEITEREN GEWÄHRLEISTUNGEN FÜR DIE MARKTGÄNGIGKEIT, EIGNUNG FÜR EINEN BESTIMMTEN ODER ANDERS GEARTETEN ZWECK – WEDER AUSDRÜCKLICH NOCH STILLSCHWEIGEND – UND VOM GESETZ SIND AUCH KEINE WEITEREN VORGESCHRIEBEN. Gewährleistungen, die aus einer gesetzlichen Auslegung zumunsten des Verbrauchers folgen, sind auf einen Zeitraum von drei Jahren ab dem Original-Kaufdatum begrenzt. Die einzige Länder keine Beschränkung hinsichtlich der Gültigkeitsdauer einer gesetzlichen Gewährleistung erlauben, trifft diese Beschränkung möglicherweise nicht auf Sie zu.

DAS UNTERNEHMEN HAFTET NICHT FÜR FOLGESCHÄDEN ODER NEBENSCHÄDEN, DIE AUS DER VERLETZUNG DIESER GEWÄHRLEISTUNG – SEI ES AUSDRÜCKLICH, STILLSCHWEIGEND ODER GESETZLICH – ENTSTEHEN. Einige Länder oder Staaten erlauben den Ausschluss oder die Einschränkung von Folge- oder Nebenschäden nicht, sodass dieser Ausschluss oder die Einschränkung in Ihrem Fall möglicherweise nicht gilt.

DURCH DIESE GEWÄHRLEISTUNG WERDEN IHNEN BESTIMMTE GESETZLICHE ANSPRÜCHE ÜBERTRAGEN. IHNEN STEHEN ZUSÄTZLICH GEBEHENFALLS NOCH WEITERE RECHTE ZU, DIE VON LAND ZU LAND UND VON STAAT ZU STAAT UNTERSCHIEDLICH SEIN KÖNNEN.

Kenyon International Inc.
P.O. Box 925 • 8 Heritage Park Road • Clinton, CT 06413 USA
Telefon: (860) 664-4306 FAX: (860) 664-4307

LEGGERE ATTENTAMENTE QUESTE ISTRUZIONI PRIMA DI INSTALLARE E UTILIZZARE QUESTO ELETTRODOMESTICO. NON GETTARE QUESTO MANUALE CONSERVARE COME RIFERIMENTO FUTURO.



Per riferimenti futuri, registrare il numero di serie del piano cottura: _____.

SPECIFICHE TECNICHE DEL PRODOTTO

XL Zona cottura doppia: Arctic, Antarctic & Glacier

- B41603, B49512 & B41706 - 120 V CA - una zona cottura da 6 1/2" (165 mm) da 1200 watt una zona cottura da 8" (200 mm) da 1400 watt
- B41604, B49513 & B41707 - 240 V CA - una zona cottura da 6 1/2" (165 mm) da 1200 watt una zona cottura da 8" (200 mm) da 1800 watt
- B41694, B49593 & B41794 - 208 V CA - una zona cottura da 6 1/2" (165 mm) da 1200 watt una zona cottura da 8" (200 mm) da 1800 watt
 - 21" x 17" x 3-1/4"
 - 533,4 mm x 431,8 mm x 82,6 mm
- 19-1/2" x 16", raggio 1/4"
- 495,3 mm x 406,4 mm, raggio 6,4

Dimensioni complessive:

Dimensioni sagoma:

Zona cottura doppia: Mediterraneo & Alpine

- B41510 & B49510 - 120 V CA - una zona cottura da 6 1/2" (165 mm) da 1200 watt una zona cottura da 8" (200 mm) da 1400 watt
- B41511 & B49511 - 240 V CA - una zona cottura da 6 1/2" (165 mm) da 1200 watt una zona cottura da 8" (200 mm) da 1800 watt
- B41591 & B49591 - 208 V CA - una zona cottura da 6 1/2" (165 mm) da 1200 watt una zona cottura da 8" (200 mm) da 1800 watt
 - 23-1/4" x 14-1/4" x 3-1/4"
 - 590,6 mm x 362,0 mm x 82,6 mm
- 21-3/4" x 12-3/4", raggio 1/4"
- 552,5 mm x 323,9 mm, raggio 6,4

Dimensioni complessive:

Dimensioni sagoma:

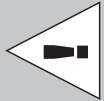
Trimline: Mediterraneo, Alpine, Caribbean & Cortez

- B41515, B49515, B41601 & B41710 - 120 V CA - due zone cottura da 6 1/2" (165 mm) da 1200 watt ciascuno
- B41516, B49516, B41602 & B41711 - 240 V CA - due zone cottura da 6 1/2" (165 mm) da 1200 watt ciascuno
- B41596, B49596, B41692 & B41719 - 208 V CA - due zone cottura da 6 1/2" (165 mm) da 1200 watt ciascuno
 - Dimensioni complessive:
 - 21" x 12" x 3-1/4"
 - 533,4 mm x 304,8 mm x 82,6 mm
 - Dimensioni sagoma:
 - 20" x 10-3/4", raggio 1/4"
 - 508 mm x 273 mm, raggio 6,4

Zona cottura singola: Mediterraneo, Alpine, Caribbean & Cortez

- B41517, B49517, B41605 & B41704 - 120 V CA - una zona cottura da 6 1/2" (165 mm) da 1200 watt
- B41518, B49518, B41606 & B41705 - 240 V CA - una zona cottura da 6 1/2" (165 mm) da 1200 watt
- B41598, B49598, B41696 & B41709 - 208 V CA - una zona cottura da 6 1/2" (165 mm) da 1200 watt
 - Dimensioni complessive:
 - 12" x 12-1/2" x 3-1/4"
 - 304,8 mm x 317,5 mm x 82,6 mm
 - Dimensioni sagoma:
 - 10-3/4" x 11-1/2", raggio 1/4"
 - 273,0 mm x 292,1 mm, raggio 6,4

ISTRUZIONI PER L'INSTALLAZIONE DEI PIANI DI COTTURA
IN VETROCERAMICA KENYON



Importante: conservare questa documentazione per le ispezioni.

Importante: questo elettrodomestico deve essere installato e messo a terra da un tecnico qualificato.

PASSAGGIO 1

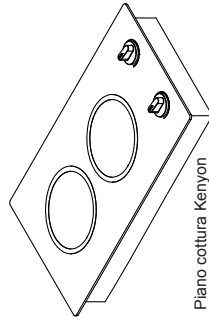
Disimballare il piano cottura

Rimuovere con delicatezza il piano cottura dalla relativa scatola. Se possibile, conservare l'imballaggio originale e la scatola nel caso dovesse rendersi necessaria la sostituzione al centro assistenza.

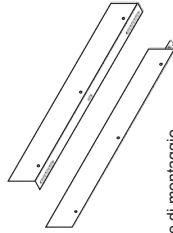
Verificare e identificare il contenuto della confezione. I seguenti elementi devono trovarsi all'interno della scatola. Se alcuni componenti fossero mancanti o danneggiati, contattare immediatamente KENYON.

Piano cottura in vetroceramica • (2) Staffe di montaggio

(1) Una confezione di viti • (1) Detergente piano cottura per superfici ceramiche



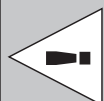
Piano cottura Kenyon



Staffe di montaggio



Confezione viti



Importante: non rimuovere la pellicola protettiva in plastica trasparente dalla superficie in vetroceramica fino a quando il piano cottura non sarà pronto per l'utilizzo.

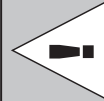
PASSAGGIO 2

Controllare i requisiti elettrici per l'alimentazione

Questo prodotto deve essere installato conformemente alle normative elettriche nazionali, regionali e locali. La seguente tabella indica i corretti valori di voltaggio, amperaggio e frequenza specifici per il piano cottura.

N. Codice Kenyon	Modello	Carico massimo sotto tensione	Potenza richiesta	Alimentazione in ingresso	Diametro minimo cavo
B41510	MED2	2600 Watts	120 VAC/22A/60HZ	120 VAC/22A/60HZ	#12 AWG
B41511	MED2	3000 Watts	240 VAC/12.5A/60HZ	240 VAC/12.5A/60HZ	#12 AWG
B41591	MED2	3000 Watts	208 VAC/14.5A/60HZ	208 VAC/14.5A/60HZ	#12 AWG
B41515	MED2TL	2400 Watts	120 VAC/20A/60HZ	120 VAC/20A/60HZ	#12 AWG
B41516	MED2TL	2400 Watts	240 VAC/10A/60HZ	240 VAC/10A/60HZ	#12 AWG
B41596	MED2TL	2400 Watts	208 VAC/11.5A/60HZ	208 VAC/11.5A/60HZ	#12 AWG
B41517	MED1	1200 Watts	120 VAC/10A/60HZ	120 VAC/10A/60HZ	#12 AWG
B41518	MED1	1200 Watts	240 VAC/5A/60HZ	240 VAC/5A/60HZ	#12 AWG
B41598	MED1	1200 Watts	208 VAC/6A/60HZ	208 VAC/6A/60HZ	#12 AWG
B41601	CAR2	2400 Watts	120 VAC/20A/60HZ	120 VAC/20A/60HZ	#12 AWG
B41602	CAR2	2400 Watts	240 VAC/10A/60HZ	240 VAC/10A/60HZ	#12 AWG
B41692	CAR2	2400 Watts	208 VAC/11.5A/60HZ	208 VAC/11.5A/60HZ	#12 AWG
B41603	ARCTIC2	2600 Watts	120 VAC/22A/60HZ	120 VAC/22A/60HZ	#12 AWG
B41604	ARCTIC2	3000 Watts	240 VAC/12.5A/60HZ	240 VAC/12.5A/60HZ	#12 AWG
B41694	ARCTIC2	3000 Watts	208 VAC/14.5A/60HZ	208 VAC/14.5A/60HZ	#12 AWG
B41605	CAR1	1200 Watts	120 VAC/10A/60HZ	120 VAC/10A/60HZ	#12 AWG
B41606	CAR1	1200 Watts	240 VAC/5A/60HZ	240 VAC/5A/60HZ	#12 AWG
B41696	CAR1	1200 Watts	208 VAC/6A/60HZ	208 VAC/6A/60HZ	#12 AWG
B41710	CORT2	2400 Watts	120 VAC/20A/60HZ	120 VAC/20A/60HZ	#12 AWG
B41711	CORT2	2400 Watts	240 VAC/10A/60HZ	240 VAC/10A/60HZ	#12 AW
B41719	CORT2	2400 Watts	208 VAC/11.5A/60HZ	208 VAC/11.5A/60HZ	#12 AWG
B41704	CORT1	1200 Watts	120 VAC/10A/60HZ	120 VAC/10A/60HZ	#12 AWG
B41705	CORT1	1200 Watts	240 VAC/5A/60HZ	240 VAC/5A/60HZ	#12 AWG
B41709	CORT1	1200 Watts	208 VAC/6A/60HZ	208 VAC/6A/60HZ	#12 AWG
B49510	ALP2LG	2600 Watts	120 VAC/22A/60 Hz	120 VAC/22A/60 Hz	#12 AWG
B49511	ALP2LG	3000 Watts	240 VAC/12.5A/60HZ	240 VAC/12.5A/60HZ	#12 AWG
B49591	ALP2LG	3000 Watts	208 VAC/11.5A/60HZ	208 VAC/11.5A/60HZ	#12 AWG
B49512	ANTARCTIC2	2600 Watts	120 VAC/22A/60HZ	120 VAC/22A/60HZ	#12 AWG
B49513	ANTARCTIC2	3000 Watts	240 VAC/12.5A/60HZ	240 VAC/12.5A/60HZ	#12 AWG
B49593	ANTARCTIC2	3000 Watts	208 VAC/14.5A/60HZ	208 VAC/14.5A/60HZ	#12 AWG
B49515	ALP2SM	2400 Watts	120 VAC/20A/60HZ	120 VAC/20A/60HZ	#12 AWG
B49516	ALP2SM	2400 Watts	240 VAC/10A/60HZ	240 VAC/10A/60HZ	#12 AWG
B49596	ALP2SM	2400 Watts	208 VAC/6A/60HZ	208 VAC/6A/60HZ	#12 AWG
B49517	ALP1	1200 Watts	120 VAC/10A/60HZ	120 VAC/10A/60HZ	#12 AWG
B49518	ALP1	1200 Watts	240 VAC/10A/60HZ	240 VAC/10A/60HZ	#12 AWG
B49598	ALP1	1200 Watts	208 VAC/11.5A/60HZ	208 VAC/11.5A/60HZ	#12 AWG
B41706	GLACIER2	2600 Watts	120 VAC/22A/60HZ	120 VAC/22A/60HZ	#12 AWG
B41707	GLACIER2	3000 Watts	240 VAC/12.5A/60HZ	240 VAC/12.5A/60HZ	#12 AWG
B41794	GLACIER2	3000 Watts	208 VAC/14.5A/60HZ	208 VAC/14.5A/60HZ	#12 AWG

L'alimentazione deve provenire da un singolo circuito correttamente collegato a terra, protetto da un salvavita e conforme alle specifiche dei modelli indicati nella tabella sopra riportata.



Attenzione: se l'alimentazione elettrica non soddisfa le specifiche del prodotto, consultare un elettricista qualificato prima di procedere con l'installazione.

PASSAGGIO 3

Preparazione piano di lavoro

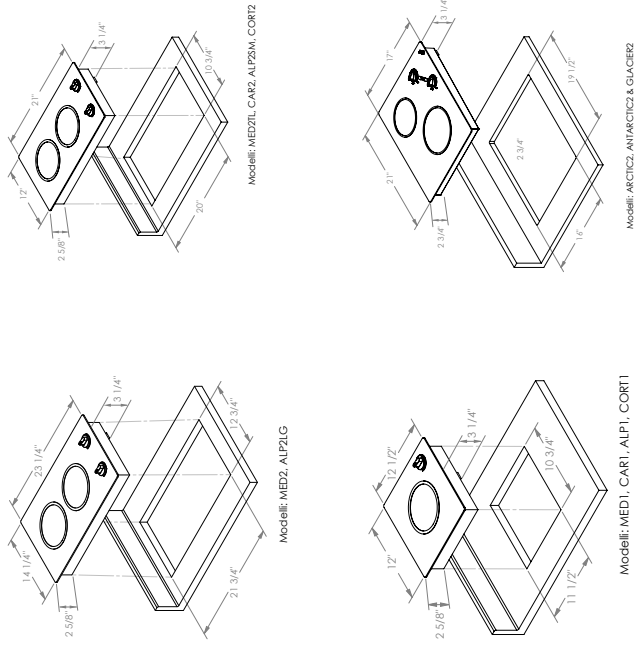
Leggere attentamente questa sezione prima di preparare la sagomatura per il piano cottura.

È fondamentale pianificare il lavoro di installazione del piano cottura, considerando sempre le misure riportate di seguito (consultare la Figura A).

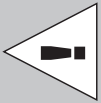
- A - 13 pollici (33,02 cm) di profondità massima per i pensili
- B - 36 pollici (91,44 cm) di altezza minima da terra per il piano di lavoro
- C - La superficie piana minima per il piano di lavoro sulla quale poggerà il piano cottura dovrà essere uguale o superiore alle dimensioni complessive del piano cottura.
- D - 30 pollici (76,2 cm) di spazio tra la parte superiore del piano cottura e la parte inferiore dei pensili se non schermati dal calore, oppure 24 pollici (60,96 cm) di spazio tra la parte superiore del piano cottura e la parte inferiore dei pensili se schermati dal calore con almeno una lastra antifiamma da 1/4 di pollice (6,35 mm) coperta da una lastra d'acciaio MSG 28 oppure di acciaio inossidabile da 0,015 pollici (0,04 cm), in alluminio da 0,024 pollici (0,06 cm) oppure in rame da 0,020 pollici (0,05 cm).
- E - 1 pollice (2,54 cm) dal paraschizzi del piano di lavoro al bordo del vetro (consultare la seguente pagina per le dimensioni complessive del piano cottura).

Non installare più vicino di 1/2 pollice (12 mm) da qualunque superficie.

Fig. A



Attenzione: per eliminare il rischio che eventuali fiamme provenienti dal piano cottura raggiungano i pensili, evitare di montare mobili sopra l'unità. Se l'installazione di pensili fosse indispensabile, è possibile ridurre il rischio montando una cappa orizzontale che sporga di almeno 5 pollici (12,7 cm) dalla parte inferiore del pensile.

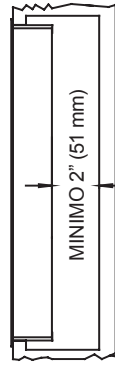


Prima di sagomare il piano di lavoro, controllare che lo spazio sia sufficiente. Controllare che il piano cottura possa entrare nello spazio della base. È inoltre fondamentale un'adeguata ventilazione.

La corretta ventilazione dello spazio sotto il piano di lavoro assicura il corretto funzionamento del piano cottura. In caso di ventilazione insufficiente, il calore trasferito dal fondo del pannello inferiore del piano cottura causerà un surriscaldamento.

- Poiché l'apparecchio richiede una quantità sufficiente di aria fresca per funzionare al massimo delle prestazioni, l'armadio deve essere progettato di conseguenza. Per questo è necessario quanto segue:
 - Il mobile deve avere almeno due aperture; uno per consentire l'ingresso di aria fresca e l'altro per la fuoriuscita di aria calda dall'armadio.
 - Le dimensioni di apertura devono essere pari a 8 pollici quadrati ciascuna. Questo è per temperature ambiente di 85°F / 30°C e inferiori. Se la temperatura ambiente intorno all'apparecchio è superiore a 30°C / 85°F, potrebbero essere necessarie aperture di ventilazione di dimensioni maggiori.

Fig. B



Lasciare uno spazio di 2" (5,8 cm) tra il fondo del pannello inferiore in metallo del piano cottura e qualunque superficie che si trova al di sotto di esso, per esempio il lato superiore di un cassetto installato sotto il piano cottura (vedere la Fig. B nella pagina precedente). Il mancato rispetto delle distanze di sicurezza e una ventilazione non corretta possono causare un incendio.

Le dimensioni del piano cottura e della sagoma sul piano di lavoro specifiche per ogni modello sono indicate di seguito:

PASSAGGIO 4

Installazione del piano cottura

Il piano cottura è dotato di due staffe di montaggio in metallo.

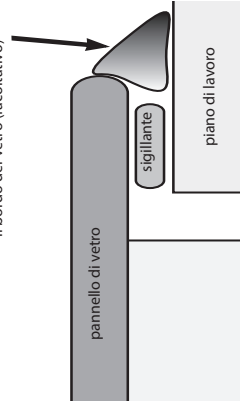
Queste staffe sono progettate per mantenere ben saldo il piano cottura. Il piano cottura non dispone di alcun telaio in metallo e deve essere sigillato al piano di lavoro. Usare un

sigillante morbido in modo da evitare eventuali danni in caso di successiva rimozione per motivi di riparazione o manutenzione. Si consiglia un tipo di sigillante non adesivo, ad esempio stucco per tubazioni, con spessore massimo compreso di 1/16". Se lo si desidera, è possibile usare silicone solo per il bordo del vetro.

Nota:

nella costruzione del piano di lavoro, stondere gli angoli della sagoma (raggio tipico 1/4"). Ciò serve a prevenire spaccature nel piano di lavoro. Attenersi alle istruzioni del produttore del piano di lavoro per la stondatura minima e il rinforzo degli angoli.

silicone per sigillare il bordo del vetro (facoltativo)



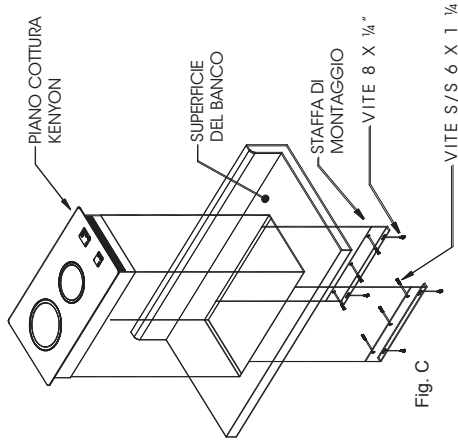
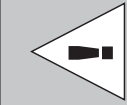


Fig. C

PASSAGGIO 5

Collegamento elettrico

Prima di procedere, accertarsi che l'alimentazione sia scollegata. Verificare che i requisiti elettrici per l'alimentazione siano rispettati. Consultare la tabella a pagina 2 per i requisiti elettrici corretti. Il piano cottura è fornito con una canalina da 36 pollici (91,44 cm) per il collegamento a una cassetta di giunzione accessibile. Le canaline da 240 V e 208 V sono composte da tre fili isolati. Due conduttori a caldo isolati (rosso e nero) e una terra isolata (verde). La canalina da 120 V è composta da tre fili isolati: il conduttore a caldo (nero), il conduttore di terra isolato (verde). Collegare i fili conformemente alle normative elettriche nazionali, regionali e locali.



Attenzione – Messa a terra
Questo elettrodomestico deve essere sempre collegato a terra quando l'alimentazione è collegata. Non collegare a terra l'elettrodomestico con il cavo di alimentazione neutro della casa (bianco). È necessario usare un cavo di terra separato.

PASSAGGIO 6

Procedure finali prima dell'utilizzo

Rimuovere la pellicola in plastica dal piano cottura. Prima di utilizzarlo per la prima volta, pulire il piano cottura. Una profonda pulizia con un detergente per fornelli adeguato (**Cerama Bryte Ceramic Cooktop Cleaner**) darà alla superficie del piano cottura un aspetto pulito e lucido.

La sessione successiva di questo manuale spiega come utilizzare e conservare il piano cottura e contiene informazioni su sicurezza e manutenzione.

Conservare queste istruzioni con il piano cottura KENYON per poterle consultare in futuro.

MANUALE UTENTE E MANUTENZIONE

SICUREZZA

Leggere questa sezione PRIMA di utilizzare il piano cottura. Le informazioni riportate di seguito sono applicabili a tutti i piani cottura elettrici KENYON.

Questo piano cottura, come tutti gli elettrodomestici, potrebbe causare problemi di sicurezza se non utilizzato con le dovute precauzioni. Osservare tutte le precauzioni di sicurezza indicate di seguito.

Corretta installazione

Accertarsi che l'elettrodomestico sia installato e messo a terra da un tecnico qualificato.

Non utilizzare mai questo elettrodomestico per riscaldare gli ambienti.

Non lasciare mai i bambini da soli.

I bambini non devono mai essere lasciati da soli o incustoditi nei locali in cui l'elettrodomestico è in uso. Non deve mai essere loro consentito di sedersi o stare in piedi sui componenti dell'elettrodomestico. Non lasciare mai oggetti di interesse per i bambini all'interno dei mobiletti sopra il piano cottura. Se i bambini tentassero di arrampicarsi per raggiungere questi oggetti potrebbero ferirsi gravemente.

Indossare indumenti adeguati.

Abiti lunghi o accessori pendenti non dovrebbero mai essere indossati durante l'utilizzo dell'elettrodomestico.

Manutenzione dell'utente

Non tentare mai di riparare o sostituire i componenti dell'elettrodomestico. Nel caso in cui si rendesse necessario un intervento di manutenzione, questo elettrodomestico dovrà essere controllato **ESCLUSIVAMENTE DA PERSONALE AUTORIZZATO** oppure si dovrà contattare il servizio clienti KENYON al numero (860) 664-4906.

Conservare i materiali infiammabili lontano dal piano cottura.

Non conservare oggetti in plastica (come utensili in plastica) nei ripiani o nei cassetti sotto il piano cottura.

Oggetti in plastica che hanno un basso punto di fusione non devono essere conservati sotto/sopra o in prossimità del piano cottura.

Non tentare mai di spegnere le fiamme causate dalla combustione di olio o grasso usando acqua.

Soffocare la fiamma oppure utilizzare un estintore a polvere chimica o a schiuma.

Usare esclusivamente presine asciutte.

Presine umide o bagnate su superfici calde potrebbero generare vapore ustionante. Non toccare mai i fuochi con le presine. Non usare mai asciugamani o altri panni ingombranti al posto delle presine.

Non cucinare sul piano cottura se danneggiato.

In caso di rottura del piano, soluzioni detergenti o altri liquidi versati potrebbero penetrare la superficie causando il rischio di scossa elettrica. Contattare un centro assistenza autorizzato oppure il servizio clienti KENYON al numero (860) 664-4906.

Pulire con attenzione il piano cottura.

Se si utilizza una spugna o un panno bagnato per pulire i liquidi caduti sul piano cottura, fare molta attenzione al vapore che potrebbe generarsi e causare ustioni alla pelle. Alcuni detergenti generano fumi nocivi se applicati su superfici calde. Leggere le avvertenze sull'etichetta del detergente prima di usare il prodotto.

NON TOCCARE LE ZONE COTTURA

Le zone cottura del piano possono essere calde anche se appaiono spente. Queste aree possono essere calde a tal punto da causare ustioni. Non toccare mai le zone cottura fino a quando non si saranno completamente raffreddate. Allo stesso modo, non appoggiare mai oggetti in tessuto o altri materiali infiammabili sulle zone cottura o sulle superfici del piano fino a quando questi ultimi non si saranno completamente raffreddati. Anche altre superfici dell'elettrodomestico potrebbero diventare calde al punto da causare ustioni.

Usare padelle di dimensioni adeguate.

Questo elettrodomestico è dotato di uno o più zone cottura di diverse misure. Usare pentole a fondo piatto e le cui dimensioni siano adatte a quelle delle aree cottura. L'utilizzo di pentole sottodimensionate lascerà esposta una parte della superficie della zona cottura creando un pericolo d'incendio. L'utilizzo di pentole di dimensioni corrette permetterà anche di migliorare l'efficienza.

Non allontanarsi dai fornelli se questi sono impostati alla massima potenza.

L'ebollizione dei cibi potrebbe causare traboccamenti oleosi o fumi che potrebbero incendiarsi.

Gli utensili da cucina dovrebbero essere posizionati verso l'interno e non estesi su superfici di fuochi adiacenti.

Per ridurre il rischio di ustioni, combustione di materiali infiammabili e traboccamenti dovuti al contatto non intenzionale con gli utensili, il manico di questi ultimi dovrà essere posizionato verso l'interno in modo che non sia adiacente alle zone cottura.

Non gettare via queste istruzioni e conservarle con il piano cottura KENYON per poterle consultare in futuro.

UTILIZZO

LEGGERE LE ISTRUZIONI DI SICUREZZA PRIMA DI UTILIZZARE L'ELETTRODOMESTICO

I fuochi sul piano cottura in vetroceramica sono identificati da disegni permanenti sul piano cottura. Questo elettrodomestico è facile da pulire ed averne cura. Per conservare il piano cottura in condizioni ottimali basta seguire le semplici linee guida riportate di seguito per l'utilizzo e la pulizia.

Utilizzare pentolame di buona qualità

Dal momento che il pentolame ha un ruolo fondamentale per l'efficienza e la comodità della cucina, tenere sempre presenti le seguenti informazioni nella scelta del pentolame.

Evitare le padelle con fondo di forma irregolare o arrotondato, in quanto impedisce alla padella o alla pentola di cuocere i cibi uniformemente. Il tipo di padelle e pentole da utilizzare è quello in acciaio inossidabile multi-strato. La linea di pentole e padelle di questo tipo venduta da Kenyon si chiama StackEN™. Sono garantite a vita e prodotte negli Stati Uniti. Esse funzionano benissimo anche su piani cottura a induzione e a irraggiamento in vetro.

Usare solo pentolame del diametro corrispondente ai diversi fuochi. La base delle pentole o delle padelle dovrebbe avere le stesse dimensioni del fuoco sul quale vengono usate, né molto più larga né molto più piccola. Utilizzando utensili del corretto diametro sarà possibile ottenere la massima efficienza termica con il minor tempo di cottura possibile.

Accertarsi che sia il pannello in vetro del piano cottura sia il fondo delle pentole siano puliti e asciutti prima dell'utilizzo. Così facendo, si eviteranno graffi e macchie sul pannello di vetro del piano cottura.

Elementi

Il piano cottura KENYON è composto da zone cotture a induzione. Gli elementi si "illumineranno" per 4-5 secondi dopo averli accesi. La particolare progettazione di questi elementi dirige il calore verso l'alto attraverso il piano in vetroceramica garantendo una cottura efficace. In ogni elemento sono presenti limitatori di temperatura per garantire che la temperatura di funzionamento di sicurezza della superficie in vetroceramica non venga superata. In caso di raggiungimento della temperatura massima della superficie, l'elemento verrà spento.

Manopole e indicatori luminosi

I comandi dell'area di cottura sono chiamati "infinite". Questo tipo di comandi ha una selezione infinita di impostazioni di calore. Le impostazioni iniziano dal calore massimo eseguendo cicli di accensioni e spegnimenti delle zone di cottura. Ruotando la manopola in senso orario, le zone di cottura restano spente ("off") per periodi più lunghi e accesi ("on") per periodi più brevi, riducendo l'emissione di calore.

È presente una serie indicatori luminosi che fornisce indicazioni sul funzionamento della resistenza e sulle superfici calde. Questi indicatori luminosi si trovano vicino alle manopole di comando. Quando il comando si trova in posizione "on", una luce rossa indica quale zona di cottura è accesa.

Per maggiore sicurezza, abbiamo incorporato un indicatore luminoso "HOT". Quando è acceso indica che alcune parti del piano cottura in vetroceramica non possono essere toccate o non è possibile posizionarvi oggetti sopra in quanto il calore è troppo elevato. Non posizionare oggetti diversi da pentole sul piano cottura quando l'indicatore è acceso.

Pulizia

Per garantire sempre la massima pulizia del piano cottura KENYON, seguire i semplici consigli riportati di seguito.

Prima di utilizzarlo per la prima volta, pulire il piano cottura. Una profonda pulizia con il nostro detergente per fornelli (**Cerama Bryte Ceramic Cooktop Cleaner**) darà alla superficie del piano cottura un aspetto pulito e lucido. Un campione è fornito con il piano cottura.

Rimuovere sempre i residui di cibo, grasso e metallo dal piano cottura. Una spatola per la rimozione delle incrostazioni o uno strumento simile è l'ideale per rimuovere i residui di cibo.

Pulire il piano cottura con un foglio di carta assorbente o con un panno soffice e pulito e un detergente raccomandato. Dopo la pulizia, asciugare sempre il piano cottura con un panno pulito e umido per evitare di utilizzarlo con residui di detergente. Asciugare il piano cottura.

Non utilizzare panni o spugne per asciugare il piano cottura. Il detergente potrebbe lasciare una pellicola e potrebbe provocare lo scolorimento della superficie del piano di cottura.

Evitare detersivi abrasivi e corrosivi di qualsiasi tipo. Evitare anche panni in plastica, nylon o metallo. Potrebbero graffiare il piano cottura o sciogliersi.

Evitare detersivi chimici come sbiancanti a base di cloro, ammoniaci, acido fluoridrico o detersivi chimici per il forno. Potrebbero graffiare o decolorare la superficie.

Evitare che materiali che potrebbero sciogliersi (ad es. plastica, fogli di alluminio, zucchero, ecc.) entrino in contatto con la superficie di cottura quando questa è calda. Nel caso in cui qualche materiale si scioglia sulla superficie, spostarlo *immediatamente* in un'area fredda del piano cottura e con una spatola rimuoverne i residui dal piano cottura appena possibile.

KENYON

Dichiarazione di garanzia

KENYON International, Inc. ("Azienda") garantisce che i suoi prodotti sono liberi da difetti nei materiali e nella realizzazione in base alle condizioni e alle limitazioni descritte di seguito. Le parti che risultano difettose per un uso normale durante il periodo della garanzia saranno riparate o sostituite dall'Azienda.

Affinché i prodotti siano coperti dalla presente garanzia, devono essere restituiti all'Azienda per scopi di valutazione. Contattare kenyonservice@cookwithkenyon.com per le istruzioni di restituzione.

La garanzia copre determinati prodotti costruiti dall'Azienda ed è soggetta alle condizioni e alle limitazioni riportate di seguito:

1. La responsabilità dell'Azienda è limitata alla riparazione o alla sostituzione (a discrezione dell'Azienda) dei componenti elettronici che potrebbero presentare difetti di produzione. Detta responsabilità è limitata a un periodo di tre anni dalla data della prima installazione o 42 mesi dalla data della fattura, in base a quale data è la precedente; questa garanzia copre le parti e il lavoro a tariffe pre-approvate. L'acciaio inossidabile è garantito a vita contro la ruggine, a patto che venga effettuata la manutenzione mensile come indicato nel manuale utente. Se si riscontra corrosione, contattare l'Azienda inviando una fotografia che dimostri la corrosione per ricevere i componenti di ricambio.
2. La determinazione di adeguatezza del prodotto per l'utilizzo contemplato dall'acquirente spetta esclusivamente all'acquirente e l'Azienda non dovrà avere responsabilità connesse a tale adeguatezza.
3. L'Azienda non sarà responsabile per danni risultanti da:
 - guasti dovuti all'utilizzo non contemplato dei prodotti;
 - guasti dovuti a corrosione, usura, abuso, negligenza o installazione o manutenzione non adeguata;
 - guasti dovuti alla rottura del vetro, accidentale o di altro tipo.
4. L'Azienda è tenuta al pagamento delle spese di spedizione presso il luogo dell'elettrodomestico (abitazione) entro i limiti degli Stati Uniti e del Canada. Altre spese di spedizione espresse o speciali sono a carico dell'acquirente.
5. Tutto il lavoro consentito dall'Azienda secondo la presente garanzia deve essere pre-autorizzato ed eseguito da un centro assistenza Kenyon International autorizzato, salvo quando diversamente specificato in forma scritta dall'Azienda.

NON ESISTONO ALTRE GARANZIE DI COMMERCIALITÀ, ADEGUATEZZA PER CERTI SCOPI O ALTRE GARANZIE ESPRESSE O IMPLICITE CHE NON POSSONO ESSERE IMPLICATE PER LEGGE. La durata di tali garanzie implicite per legge a beneficio del consumatore è limitata a un periodo di tre anni dalla data originale di acquisto da parte dell'acquirente. Alcuni Paesi non consentono limitazioni della durata della garanzia, pertanto detta limitazione potrebbe non essere applicabile.

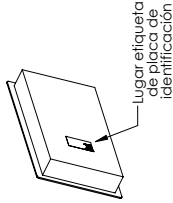
L'AZIENDA NON DEVE ESSERE RITENUTA RESPONSABILE PER DANNI CONSEGUENZIALI O INCIDENTALI DERIVANTI DALLA VIOLAZIONE DELLA PRESENTE GARANZIA ESPRESSA, IMPLICITA O STATUTARIA. Alcuni paesi o stati non consentono l'esclusione o la limitazione di danni fortuiti o accidentali, pertanto tale limitazione o esclusione potrebbe non essere applicabile.

LA PRESENTE GARANZIA FORNISCE DIRITTI LEGALI SPECIFICI. TUTTAVIA SI POTREBBE AVVALERSI ANCHE DI ALTRI DIRITTI LEGALI CHE VARIANO DA PAESE A PAESE E DA STATO A STATO.

Kenyon International, Inc.
P.O. Box 925 • 8 Heritage Park Road • Clinton, CT 06413 USA
Telefono (860) 664-4906 FAX: (860) 664-4907

LEER ÍNTEGRAMENTE ESTAS INSTRUCCIONES ANTES DE LA INSTALACIÓN Y USO DEL ELECTRODOMÉSTICO. ¡NO BOTAR ESTE MANUAL! GUARDARLO PARA FUTURAS CONSULTAS.

Registre aquí el número de serie de su placa de cocina para futura consulta: _____.



ESPECIFICACIONES DEL PRODUCTO

XL Dos hornillas: *Arctic, Antarctic & Glacier*
 B41603, B49512 & B41706 - 120 V CA – una hornilla de 165 mm (6 1/2 pulg.) a 1200 W una hornilla de 200 mm (8 pulg.) a 1400 W
 B41604, B49513 & B41707 - 240 V CA – una hornilla de 165 mm (6 1/2 pulg.) a 1200 W una hornilla de 200 mm (8 pulg.) a 1800 W
 B41694, B49593 & B41794 - 208 V CA – una hornilla de 165 mm (6 1/2 pulg.) a 1200 W una hornilla de 200 mm (8 pulg.) a 1800 W

Dimensiones generales: 533.4 mm x 431.8 mm x 82.6mm
 21 pulg. x 17 pulg. x 3-1/4 pulg.
 Dimensiones del hueco: 495.3 mm x 406.4 mm con 6.4 de radio
 19-1/2 pulg. x 16 pulg. con 1/4 pulg. de radio

Dos hornillas: *Mediterranean & Alpine*
 B41510 & B49510 - 120 V CA – una hornilla de 165 mm (6 1/2 pulg.) a 1200 W una hornilla de 200 mm (8 pulg.) a 1400 W
 B41511 & B49511 - 240 V CA – una hornilla de 165 mm (6 1/2 pulg.) a 1200 W una hornilla de 200 mm (8 pulg.) a 1800 W
 B41591 & B49591 - 208 V CA – una hornilla de 165 mm (6 1/2 pulg.) a 1200 W una hornilla de 200 mm (8 pulg.) a 1800 W

Dimensiones generales: 590.6 mm x 362.0 mm x 82.6 mm
 23-1/4 pulg. x 14-1/4 pulg. x 3-1/4 pulg.
 Dimensiones del hueco: 552.5 mm x 323.9 mm con 6.4 de radio
 21-3/4 pulg. x 12-3/4 pulg. con 1/4 pulg. de radio

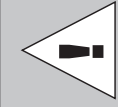
Trimline: *Mediterranean, Alpine, Caribbean & Cortez*
 B41515, B49515, B41601 & B41710 - 120 V CA – dos hornillas de 165 mm (6 1/2 pulg.) a 1200 W cada una
 B41516, B49516, B41602 & B41711 - 240 V CA – dos hornillas de 165 mm (6 1/2 pulg.) a 1200 W cada una
 B41596, B49596, B41692 & B41719 - 208 V CA – dos hornillas de 165 mm (6 1/2 pulg.) a 1200 W cada una

Dimensiones generales: 533.4 mm x 304.8 mm x 82.6 mm
 21 pulg. x 12 pulg. x 2-5/8 pulg.
 Dimensiones del hueco: 508 mm x 273 mm con 6.4 de radio
 20 pulg. x 10-3/4 pulg. con 1/4 pulg. de radio

Una sola hornilla: *Mediterranean, Alpine, Caribbean & Cortez*
 B41517, B49517, B41605 & B41704 - 120 V CA – una hornilla de 165 mm (6 1/2 pulg.) a 1200 W
 B41518, B49518, B41606 & B41705 - 240 V CA – una hornilla de 165 mm (6 1/2 pulg.) a 1200 W
 B41598, B49598, B41696 & B41709 - 208 V CA – una hornilla de 165 mm (6 1/2 pulg.) a 1200 W

Dimensiones generales: 304.8 mm x 317.5 mm x 82.6 mm
 12 pulg. x 12-1/2 pulg. x 3-1/4 pulg.
 Dimensiones del hueco: 273.0 mm x 292.1 mm con 6.4 de radio
 10-3/4 pulg. x 11-1/2 pulg. con 1/4 pulg. de radio

INSTRUCCIONES DE INSTALACIÓN DE LAS PLACAS DE VITROCERÁMICA KENYON



Importante: Guardar este documento para revisión del inspector local.

Importante: Deberá ser un técnico calificado el que instale y conecte a tierra este electrodoméstico como es debido.

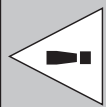
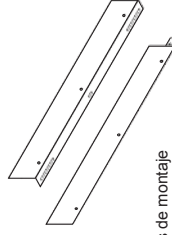
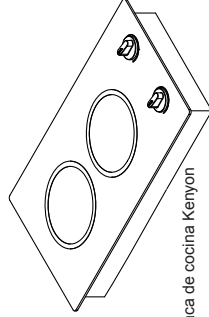
PASO #1

Desempacar la placa de cocina

Desempacar con cuidado la placa de cocina de su embalaje. De ser posible, retener el embalaje original de cartón y el envase de protección por si hay que devolver la unidad para repararla.

Verificar e identificar el contenido del envase. Los siguientes componentes deberán encontrarse en el envase. Si hay un componente dañado, o falta alguno, llamar inmediatamente a KENYON.

Placa de vitrocerámica • (2) soportes de montaje
 (1) paquete de tornillos de montaje • (1) limpiador de placa de vitrocerámica



Importante: No quitarle la película de plástico transparente a la placa de vitrocerámica hasta que no esté lista para usarse.

PASO #2

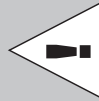
Comprobar los requisitos de alimentación eléctrica

Este producto deberá instalarse de conformidad con los códigos de electricidad nacionales, estatales y locales. En la tabla a continuación se dan el voltaje, amperaje y frecuencia que se deberán suministrar a la placa de cocina.

# pieza Kenyon	# modelo	Carga máxima conectada	Entrada de alimentación eléctrica necesaria	Diámetro de cable mínimo
B41510	MED2	2600 W	120 VCA/22A/60Hz	CAE #12
B41511	MED2	3000 W	240 VCA/12.5A/60Hz	CAE #12
B41591	MED2	3000 W	208 VCA/14.5A/60Hz	CAE #12
B41515	MED2TL	2400 W	120 VCA/20A/60Hz	CAE #12
B41516	MED2TL	2400 W	240 VCA/10A/60Hz	CAE #12
B41596	MED2TL	2400 W	208 VCA/11.5A/60Hz	CAE #12
B41517	MED1	1200 W	120 VCA/10A/60Hz	CAE #12
B41518	MED1	1200 W	240 VCA/5A/60Hz	CAE #12
B41598	MED1	1200 W	208 VCA/6A/60Hz	CAE #12
B41601	CAR2	2400 W	120 VCA/20A/60Hz	CAE #12
B41602	CAR2	2400 W	240 VCA/10A/60Hz	CAE #12
B41692	CAR2	2400 W	208 VCA/11.5A/60Hz	CAE #12
B41603	ARCTIC2	2600 W	120 VCA/22A/60Hz	CAE #12
B41604	ARCTIC2	3000 W	240 VCA/12.5A/60Hz	CAE #12
B41694	ARCTIC2	3000 W	208 VCA/14.5A/60Hz	CAE #12
B41605	CAR1	1200 W	120 VCA/10A/60Hz	CAE #12
B41606	CAR1	1200 W	240 VCA/5A/60Hz	CAE #12
B41696	CAR1	1200 W	208 VCA/6A/60Hz	CAE #12
B41710	CORT2	2400 W	120 VCA/20A/60Hz	CAE #12
B41711	CORT2	2400 W	240 VCA/10A/60Hz	CAE #12
B41719	CORT2	2400 W	208 VCA/11.5A/60Hz	CAE #12
B41704	CORT1	1200 W	120 VCA/10A/60Hz	CAE #12
B41705	CORT1	1200 W	240 VCA/5A/60Hz	CAE #12
B41709	CORT1	1200 W	208 VCA/6A/60Hz	CAE #12
B49510	ALP2LG	2600 W	120 VCA/22A/60 Hz	CAE #12
B49511	ALP2LG	3000 W	240 VCA/12.5A/60Hz	CAE #12
B49591	ALP2LG	3000 W	208 VCA/11.5A/60Hz	CAE #12
B49512	ANTARCTIC2	2600 W	120 VCA/22A/60Hz	CAE #12
B49513	ANTARCTIC2	3000 W	240 VCA/12.5A/60Hz	CAE #12
B49593	ANTARCTIC2	3000 W	208 VCA/14.5A/60Hz	CAE #12
B49515	ALP2SM	2400 W	120 VCA/20A/60Hz	CAE #12
B49516	ALP2SM	2400 W	240 VCA/10A/60Hz	CAE #12
B49596	ALP2SM	2400 W	208 VCA/6A/60Hz	CAE #12
B49517	ALP1	1200 W	120 VCA/10A/60Hz	CAE #12
B49518	ALP1	1200 W	240 VCA/10A/60Hz	CAE #12
B49598	ALP1	1200 W	208 VCA/11.5A/60Hz	CAE #12
B41706	GLACIER2	2600 W	120 VCA/22A/60Hz	CAE #12
B41707	GLACIER2	3000 W	240 VCA/12.5A/60Hz	CAE #12
B41794	GLACIER2	3000 W	208 VCA/14.5A/60Hz	CAE #12

La alimentación deberá provenir de un circuito particular conectado a tierra, protegido por un disyuntor y con capacidad nominal conforme a las especificaciones de los diferentes modelos que se muestran en la tabla anterior.

Advertencia: Si la alimentación eléctrica no cumple las especificaciones del producto, consultar a un electricista certificado con licencia antes de proceder a la instalación.



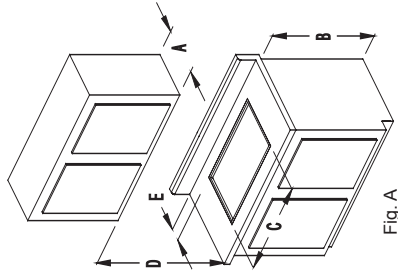
PASO #3

Preparación del mostrador

Leer esta sección antes de hacer el hueco para la placa de cocina.

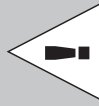
Es importante planear con antelación la instalación de la placa de cocina teniendo presente las siguientes dimensiones (consultar la Figura A).

- A – 33.0 cm (13 pulgadas) del profundidad como máximo para armarios altos
- B – 91.4 cm (36 pulgadas) como altura mínima del mostrador a partir del piso
- C – La superficie plana mínima del mostrador sobre la que descansará la placa de cocina deberá ser igual o mayor que las dimensiones generales de dicha placa (consultar en la página siguiente las dimensiones generales de la placa de cocina).
- D – 76.2 cm (30 pulgadas) de espacio libre como mínimo entre la parte superior de la superficie de cocción y el fondo de cualquier armario de madera o metal no protegido, o 60.9 cm (24 pulgadas) de separación como mínimo si el fondo del armario de madera o metal está protegido con un cartón ignífugo de no menos de 6.3 mm (1/4 pulg.) de espesor, recubierto, como mínimo, con una lámina de metal MSG 28 (calibre estándar del fabricante), 0.38 mm (0.015 pulg.) de acero inoxidable, 0.61 mm (0.024 pulg.) de aluminio o 0.51 mm (0.020 pulg.) de cobre.
- E – 25 mm (1 pulgada) como mínimo del protector contra salpicaduras del mostrador al borde del vidrio (consultar las dimensiones generales de las placas de cocina en la página siguiente).



*No instalar nunca la placa de cocina a una distancia inferior a 12 mm (1/2 pulg.) de cualquier superficie contigua. **NE PAS INSTALLER À MOINS DE 12 MM DE TOUTE SURFACE ADJACENTE.**

Advertencia: Se deberá evitar el espacio de almacenamiento en armarios encima de las unidades de superficie caliente para eliminar el riesgo de quemaduras al alcanzar algo. De haber almacenamiento en armarios, el riesgo puede reducirse instalando una campana de cocina cuya proyección horizontal sobresalga 127 mm (5 pulgadas) por fuera del fondo de los armarios.



Antes de hacer un hueco en el mostrador, comprobar la holgura o espacio libre. Comprobar que la placa de cocina deje espacio libre para las paredes frontal y lateral del armario de base. También es importante facilitar ventilación suficiente.

Debe facilitarse ventilación adecuada al espacio debajo del mostrador para asegurar la debida operación de la placa de cocina. El calor que transmite la bandeja al fondo de la placa de cocina durante su operación recalientará cualquier área mal ventilada.

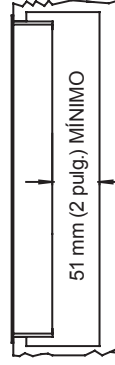


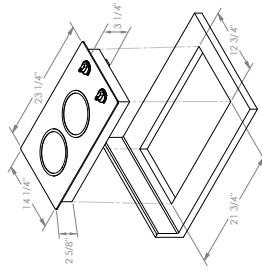
Fig. B

Dado que el aparato requiere un suministro suficiente de aire fresco para funcionar con el máximo rendimiento, el gabinete debe diseñarse en consecuencia. Para ello se requiere lo siguiente:

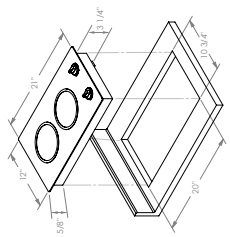
- El gabinete debe tener un mínimo de dos aberturas; uno para permitir que entre aire fresco y el otro para que el aire caliente salga del gabinete.
- Los tamaños de las aberturas deben ser iguales a 8 pulgadas cuadradas cada uno. Esto es para temperaturas ambiente de 85°F / 30°C e inferiores. Si la temperatura ambiente alrededor del aparato es superior a 85°F / 30°C, es posible que se requieran aberturas de ventilación más grandes.

Dejar un espacio libre de 51 mm (2 pulg.) entre la bandeja metálica del fondo de la placa de cocina y cualquier superficie combustible que esté por debajo de ella, por ejemplo: el borde superior de una gaveta colocada debajo de la placa de cocina (ver Fig. B en la página anterior). No facilitar la debida ventilación y holgura puede dar lugar a un peligro de incendio.

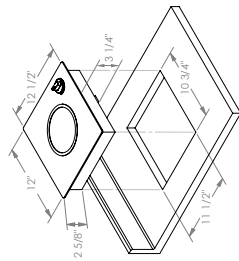
Las dimensiones de placa de cocina y hueco del mostrador de los diferentes modelos se muestran a continuación:



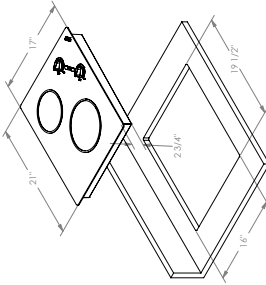
Modelos: MEDZ, AIPZLG



Modelos: MEDZL, CARZ, AIPZSA, CORZ



Modelos: MED1, CAR1, ALP1, COR1



Modelos: ARC1CZ, ANARC1CZ & CUA1C1ERZ

Nota:
Al hacer el mostrador, **redondear** la esquina del hueco (lo normal es 6.4 mm (1/4 pulg.) de radio). Esto evitará que se raje el mostrador. Seguir las instrucciones del fabricante en relación con el radio mínimo y el refuerzo de las esquinas.

PASO #4

Instalar la placa de cocina

La placa de cocina se suministra con dos soportes de montaje de metal. Está previsto que estos soportes sujeten firmemente la placa de cocina en su lugar. La placa de cocina no tiene un marco metálico y deberá sellarse al mostrador. **Usar un compuesto de sellado que evite el daño en caso de que posteriormente se necesite quitar la placa de cocina para repararla. Recomendamos un tipo de sellador no adhesivo como masilla de fontanero, reducción de espesor máximo a compresión de 1.6 mm 1/16 pulg.** Se puede usar silicona para sellar solo el borde de vidrio si lo desea.

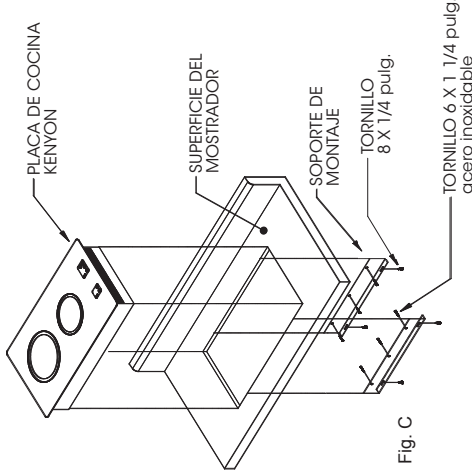
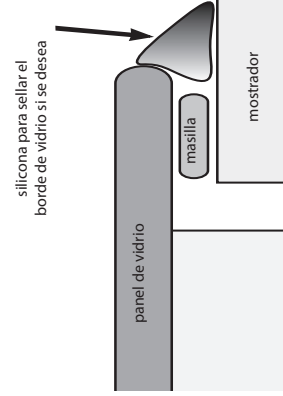


Fig. C

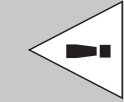
PASO #5

Conexión eléctrica

Antes de continuar, verificar que esté desconectada la alimentación eléctrica. Verificar que se cumplan los debidos requisitos de alimentación eléctrica. Consultar los requisitos eléctricos adecuados en la tabla en la página 2. La placa de cocina viene con un conductor de 91.4 cm (36 pulg.) de longitud para su conexión a la caja de empalmes que esté accesible. Los conductos de 240 V y 208 V consisten de tres cables aislados. Hay dos conductores vivos aislados (el rojo y el negro) y un conductor aislado a tierra (el verde). Los conductos de 120 V consisten de tres cables aislados. Hay un conductor vivo aislado (el negro), uno neutro (el blanco) y un conductor aislado a tierra (el verde). Conectar los cables conductores a los cables residenciales de conformidad con los códigos de electricidad, nacionales, estatales y locales.

TENER CUIDADO DE NO APRETAR DEMASIADO LOS TORNILLOS.

Sujetar los dos soportes de montaje a la superficie vertical interior de la placa de cocina como se muestra (ver Fig. C). Los soportes se montan en lados opuestos. Centrar el soporte en la abertura, a ras con la placa de cocina y sujetarlo con los tornillos autorroscantes #6 que se suministran. Colocar la placa de cocina en la abertura del hueco y apretarla firmemente por todos lados para taponar el vidrio con el compuesto de sellado. Sujetar por debajo la placa de cocina a los soportes con los tornillos pequeños de lámina de metal que se suministran.



Advertencia – Conexión a tierra
Siempre que la alimentación eléctrica esté encendida, el electrodoméstico entero debe estar conectado a tierra. No poner a tierra el electrodoméstico con el cable de alimentación neutro de la casa (blanco). Debe usarse una tierra por separado.

PASO #6

Preparación final antes del uso

Quitarle la película de plástico a la placa de cocina. Limpiar la placa de cocina antes de usarla por primera vez. Una limpieza a fondo con el limpiador recomendado (**de placa de vitrocerámica Cerama Bryte**) le dará un revestimiento limpio y lustroso a la superficie de la placa de cocina.

La siguiente sección del manual aborda la información del uso, mantenimiento, seguridad y reparación.

Conserve estas instrucciones mientras tenga la placa de cocina KENYON para consultas futuras.

SEGURIDAD

Leer esta sección ANTES de operar la placa de cocina. La siguiente información se aplica a todas las placas de cocina eléctricas KENYON.

Esta placa de cocina, al igual que todos los electrodomésticos, tiene la potencialidad de crear problemas de seguridad en caso de un uso indebido y negligente. Es necesario observar todas la siguientes precauciones de seguridad.

Debida instalación

Asegurarse de que sea un técnico calificado el que instale y conecte a tierra como es debido su electrodoméstico.

No usar nunca su electrodoméstico para calentar la habitación.

No dejar a los niños solos.

Los niños no se deberán dejar nunca solos ni sin vigilancia en el área en la que se use el electrodoméstico. No se les deberá permitir nunca sentarse ni pararse encima de cualquier parte del electrodoméstico. No guardar nada que sea de interés de los niños en los armarios encima de la placa de cocina. Si los niños se suben a la placa de cocina para alcanzar dichos objetos podrían lesionarse gravemente.

Llevar puesta ropa/indumentaria adecuada

No se deberá llevar puesta ropa suelta ni prendas que cuelguen al usar el electrodoméstico.

Reparación por el usuario

No reparar ni reemplazar ninguna pieza del electrodoméstico por usted mismo. Si en algún momento necesita una reparación, el electrodoméstico deberá repararlo **SOLO PERSONAL AUTORIZADO** o se deberá llamar a – **Atención al Cliente de KENYON al (860) 664-4906.**

Mantener alejados de la placa de cocina los materiales inflamables.

No guardar materiales plásticos (por ejemplo, utensilios plásticos) en las áreas de almacenamiento debajo de la placa de cocina.

Los objetos plásticos con temperatura de fusión baja no deberán guardarse debajo/sobre ni cerca de la placa de cocina.

No usar agua en fuegos con grasa.

Cubrir el fuego o la llama, o usar productos químicos secos o extinguidores de espuma.

Usar solo agarradores de ollas secos.

Los agarradores de ollas húmedos o mojados encima de las superficies calientes pueden producir quemaduras por el vapor. No dejar que los agarradores de ollas toquen los elementos térmicos del electrodoméstico. No usar toallas ni ningún otro paño grande en lugar de un agarrador de ollas.

No cocinar en una placa de cocina rota.

Si se rompiera una placa de cocina, las soluciones de limpieza y los derrames podrían penetrar en la placa rota y provocar peligro de descarga eléctrica. Comunicarse inmediatamente con un centro de servicio autorizado o llamar a Atención al Cliente de KENYON al (860) 664-4906.

Limpiar con cuidado la placa de cocina.

Si se usa una esponja o paño para limpiar los derrames sobre una superficie de cocción caliente, tener mucho cuidado para evitar quemaduras por el vapor. Algunos limpiadores producen humos nocivos al aplicarlos a una superficie caliente. Leer la etiqueta del limpiador antes de usarlo.

NO TOCAR LOS ELEMENTOS TÉRMICOS

Los elementos térmicos de la placa de cocina pueden estar calientes aun cuando estén oscuros. Estas áreas pueden estar lo suficientemente calientes como para ocasionar quemaduras. No tocar nunca los elementos térmicos hasta que no hayan tenido tiempo suficiente de enfriarse. Asimismo, no dejar nunca que los paños o materiales inflamables toquen los elementos térmicos ni la placa de cocina hasta que no hayan tenido tiempo suficiente de enfriarse. Otras superficies del electrodoméstico pueden ponerse lo suficientemente calientes como para ocasionar quemaduras.

Usar cazuelas del debido tamaño.

Este electrodoméstico está equipado con una o más unidades de superficie de diferente tamaño. Seleccionar utensilios que tengan un fondo plano lo suficientemente grande como para cubrir el elemento térmico de la unidad de superficie. El uso de utensilios más pequeños dejará expuesta una parte del elemento térmico, la que podría tocar los paños y prenderles fuego. La debida relación entre el utensilio y la homilla también mejorará la eficiencia.

No dejar nunca las unidades de superficie sin vigilancia cuando estén puestas a fuego fuerte.

El rebosamiento por ebullición origina humo y desbordamiento de grasa que puede incendiarse.

Los mangos de utensilios deberán colocarse hacia dentro y no llegar a las unidades de superficie contiguas.

Para reducir el riesgo de quemaduras, que se enciendan materiales inflamables, así como derrames debidos al contacto con el utensilio, el mango deberá colocarse de modo que quede hacia dentro y no llegue a las unidades de superficie contiguas.

No bote estas instrucciones, consérvelas mientras tenga la placa de cocina KENYON para consultas futuras.

OPERACIÓN

LEER ESTAS INSTRUCCIONES ANTES DE OPERAR SU ELECTRODOMÉSTICO

Las áreas de la superficie de cocción de su placa de vitrocerámica se identifican con dibujos permanentes en la placa de cocina. Este electrodoméstico es fácil de mantener y de limpiar. Mantener la placa de cocina a su rendimiento máximo puede lograrse cumpliendo las sencillas orientaciones de uso y limpieza que se dan a continuación:

Usar utensilios de cocina de buena calidad

Dado que los utensilios de cocina desempeñan un importante papel en una cocción eficiente y cómoda, es conveniente tener presente la siguiente información al seleccionarlos.

Evite sartenes con fondos redondeados y con forma ya que esto no permite que los alimentos se cocinen de manera uniforme en la sartén u olla. Las sartenes y ollas de mejor calidad son las de acero inoxidable de múltiples capas. Kenyon vende ese tipo de sartenes y ollas que se denominan StackEN™. Ofrecen una garantía de por vida y están hechas en los EE. UU. Estas sartenes y ollas funcionan excepcionalmente bien en placas de cocina de inducción y en cocinas con vitrocerámica de calor radiante.

Use solo utensilios de cocina del diámetro debido. La base de la olla o sartén deberá ser al menos del mismo tamaño que la zona de cocción en que se utilice, ni mucho más grande ni mucho más pequeña. Al usar utensilios del diámetro debido, logrará la mayor eficiencia térmica con los menores tiempos de cocción posibles.

Asegúrese de que, tanto el panel de la placa de cocina de vidrio como el fondo de las sartenes y ollas estén limpios y secos antes de usarlos. Así ayudará a evitar rayaduras y manchas en su panel de vidrio.

Elementos térmicos

Las placas de cocina KENYON utilizan elementos térmicos radiantes tipo cinta. Los elementos radiantes se "prenderán" unos 4-5 segundos después de encendidos. El diseño especial de estos elementos dirige el calor arriba a través de la vitrocerámica, lo que da una cocción eficaz. Cada elemento incluye limitadores de temperatura para asegurar que no se sobrepase la temperatura de operación segura de la placa de vitrocerámica. El limitador de temperatura regulará el ciclo de apagado del elemento radiante para evitar que se sobrepase la temperatura máxima de la superficie.

Perillas y lámparas indicadoras

Los reguladores del área de cocción se llaman "infinitos". Este tipo de regulador tiene una selección infinito de regulaciones de fuego. La regulación empieza a fuego alto y la entrega de calor disminuye regulando el ciclo de "apagado" y "encendido" de los elementos térmicos al dar vuelta a la perilla en sentido horario. Los elementos térmicos permanecerán "apagados" períodos más largos y estarán "encendidos" períodos más cortos a medida que dé vuelta la perilla en sentido horario, reduciendo así la entrega de calor.

Hay una serie de lámparas que dan indicaciones de la operación de las hornillas y superficies calientes. Estas lámparas están colocadas junto a las perillas de regulación. Cuando el regulador está en posición "encendido" se prende una luz roja para indicar que la hornilla está encendida.

En aras de su seguridad, hemos incorporado una lámpara indicadora "CALIENTE". Cuando se prende, esta lámpara indica que alguna de las partes de la placa de vitrocerámica está muy caliente para tocarla o ponerle artículos encima. No ponga ninguna otra cosa que no sea el utensilio de cocina encima de la superficie de cocción mientras que esta lámpara esté prendida.

Limpieza

Para ayudar a asegurar que la placa de cocina KENYON se mantenga limpia, seguir estos fáciles consejos:

Limpia la placa de cocina antes de usarla por primera vez. Una limpieza a fondo con nuestro limpiador recomendado (**de placa de vitrocerámica Carama Brite**) le dará un revestimiento limpio y lustroso a la placa de cocina antes de su primer uso. Con su placa de cocina Kenyon se incluye una muestra.

Quitarle siempre a los utensilios de cocina los derrames de comida, manchas de grasa y roces de metal. Para quitar los derrames se puede usar un raspador de cuchilla o equivalente.

Limpia la placa de cocina con papel toalla o un paño suave limpio y el limpiador recomendado. Después de la limpieza, enjuagar bien la placa de cocina con un paño limpio y húmedo para evitar que los restos del limpiador se quemen. Secar la placa de cocina con un paño.

No usar una toalla de secar platos ni una esponja para limpiar la placa de cocina. Es posible que el detergente deje una película y puede decolorar la superficie de la placa de cocina.

Evitar el uso de limpiadores de restregar abrasivos de cualquier tipo. Evitar también el uso de almohadillas de limpieza plásticas, de nailon o metal. Pueden arañar la placa de cocina o fundirse.

Evitar limpiadores a base de productos químicos como lejía de cloro (hipoclorito), amoniaco, ácido fluorhídrico o limpiadores de horno. Pueden atacar o decolorar la superficie.

No dejar que ningún material que se derrita – plástico, lámina de aluminio, azúcar, etc. se ponga en contacto con la superficie de la placa de cocina cuando esté caliente. Si algo se derrite sobre la superficie, pasarlo *inmediatamente* a un área fría de la placa de cocina con un raspador de cuchilla y, después, sacarlo de la placa lo más pronto posible.

KENYON International, Inc (la "Compañía") garantiza que este producto no tenga defectos de materiales ni mano de obra en su uso normal, sujeto a las condiciones y limitaciones a continuación.
La Compañía reparará o reemplazará toda pieza que se pruebe esté defectuosa en su uso normal durante el período de garantía.

Con el fin de que el producto esté cubierto bajo esta garantía, debe ser devuelto a la Compañía para su evaluación. Comuníquese a kennyonservice@cookwithkenyon.com para obtener las instrucciones de devolución.

Esta garantía cubre ciertos productos fabricados por la Compañía y está sujeta a las siguientes condiciones y limitaciones:

1. La responsabilidad de la Compañía se limitará a la reparación o reemplazo (elección de remedio a opción de la Compañía) de componentes electrónicos en la medida en que puedan tener defectos de materiales o mano de obra. Esta responsabilidad se limita a tres años a partir de la fecha de instalación original o a 42 meses desde la fecha de la factura, lo que ocurra primero; esta garantía cubre piezas y mano de obra a tarifas aprobadas previamente. El acero inoxidable tiene una garantía de por vida contra el óxido cuando se cuida mensualmente según se describe en el manual del propietario. Si comienza la corrosión, comuníquese con la Compañía con evidencia fotográfica de la corrosión para recibir componentes de reemplazo.
2. La determinación de la idoneidad del producto para el uso contemplado por el Comprador es responsabilidad exclusiva de este último y la Compañía no tendrá ninguna responsabilidad en cuanto a la misma.
3. La Compañía no se hará responsable de ningún daño a consecuencia de:
 - fallas debidas al uso del producto en aplicaciones para las que no fue concebido;
 - fallas debidas a corrosión, desgaste, mal uso, negligencia, instalación o mantenimiento indebidos;
 - fallas debidas a rotura de vidrio, accidental o de otro modo.
4. La Compañía asumirá la responsabilidad de los gastos de embarque terrestre hasta el lugar del electrodoméstico (domicilio) dentro de Estados Unidos continental y Canadá. Todos los impuestos o gastos que resulten del embarque urgente o especial correrán a cargo del Comprador.
5. Toda mano de obra permitida por la Compañía bajo esta garantía debe estar autorizada previamente y debe ser ejecutada por un centro de servicio autorizado por Kenyon International, excepto que la Compañía lo especifique por escrito de otra manera.

NO SE DA NINGUNA OTRA GARANTÍA DE COMERCIABILIDAD NI IDONEIDAD PARA UN FIN EN PARTICULAR NI DE OTRO TIPO, EXPRESA O IMPLÍCITA NI NINGUNA OTRA DEBERÁ SER IMPLICADA POR LA LEY. La duración de cualquiera de tales garantías que esté, sin embargo, implicada por la ley en beneficio del consumidor, se limitará a un período de tres años a partir de la compra original por parte del usuario. Algunos países no permiten limitaciones en lo referente al tiempo que deberá durar una garantía implícita, de modo que puede ser que esta limitación no se aplique en su caso.

LA COMPAÑÍA NO SERÁ RESPONSABLE DE NINGÚN DAÑO EMERGENTE NI INCIDENTAL QUE SURJA POR CONTRAVENCIÓN DE ESTA GARANTÍA. YA SEA EXPRESA, IMPLÍCITA O ESTATUARIA. Algunos países o estados no permiten la exclusión o limitación de daños consecuentes ni incidentales, de modo que puede que esta limitación o exclusión no se aplique en su caso.

ESTA GARANTÍA LE DA A USTED DERECHOS LEGALES ESPECÍFICOS Y ES POSIBLE QUE USTED TENGA TAMBIÉN OTROS DERECHOS LEGALES, LOS QUE PUEDEN DIFERIR ENTRE PAÍSES O ESTADOS.

