

# BBBF3019IMWESS



## 30" Built-In Bottom Freezer Refrigerator, Stainless Steel



### GENERAL PROPERTIES

|                                 |                                      |
|---------------------------------|--------------------------------------|
| Type                            | Built-in                             |
| Style                           | Bottom Freezer                       |
| Finish                          | Fingerprint-Free Stainless Steel     |
| Handles                         | Pro Handle - Rounded Stainless Steel |
| Metal Back Wall                 | -                                    |
| Cooling System                  | NeoFrost™ Dual Cooling Technology    |
| Control System                  | Electronic Controls                  |
| Control Display Type & Location | Digital LED Display, Interior        |
| Child Lock                      | Yes                                  |
| Connectivity                    | -                                    |

### CAPACITY

|                       |              |
|-----------------------|--------------|
| Total Net Volume      | 16.4 cu. ft. |
| Fresh Food Net Volume | 11.6 cu. ft. |
| Freezer Net Volume    | 4.8 cu. ft.  |

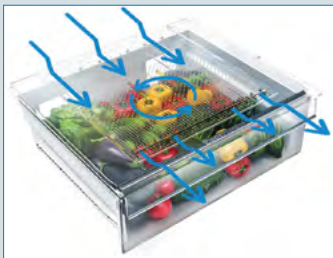
Also Available:

BBBF3019IMWESS - Factory-Installed Stainless Steel Panels



CEE Tier 1

### PREMIUM TECHNOLOGY



#### EVERFRESH+™ WITH ACTIVE FRESH BLUE LIGHT

Our EverFresh+ with Active Fresh Blue Light technology keeps fresh food fresher three times longer than the average refrigerator – for up to 30 days! Our technology retains vitamins and nutrients that simulates natural lighting conditions, extending the photosynthesis process of fruits and vegetables in your refrigerator.



#### IONGUARD®

Advanced IonGuard® technology creates a fresh air environment inside your refrigerator to protect and preserve foods longer and eliminate odor transfer.

\*The fridge compartment will not work properly in low temperatures, so we recommend you only use the freezer compartment in low ambient temperatures.



#### TURBO ICE MAKER

When you first come inside on a hot day, pour drinks for the crew after practice, or entertain friends and family, you count on your refrigerator to have plenty of ice on hand. That's why the Beko Turbo Ice Maker can generate a cool 11 pounds of ice in just 24 hours—that's an industry-leading ice making capacity.



#### FREEZE GUARD

Beko Freeze Guard technology uses an inverter compressor and electronic temperature control system to ensure the freezer continues to work in ambient temperatures as low as 5° F, without any loss of performance.\*

# BBBF3019IMWESS



## 30" Built-In Bottom Freezer Refrigerator, Stainless Steel

| PERFORMANCE                   |  |
|-------------------------------|--|
| Fresh Food Temperature Range* | 33° F to 46° F   |
| Freezer Temperature Range*    | -8° F to 5° F  |
| Environment Temperature Range | Operates in Temperatures Between 32° F and 110° F  |
| Freeze Guard                  | Yes, Freezer Operates in Temperatures as Low as 5° F   |
| Modes                         | On/Off Power, On/Off Icemaker, Temperature Control, Water Filter Reset, Quick Freeze, Vacation, Sabbath, Economy |
| Compressor                    | Dual Compressors   |
| ENERGY STAR® Certified        | Yes  |
| Annual Energy Consumption     | 556 kWh/year   |

| FRESH FOOD FEATURES                |   |
|------------------------------------|---|
| Internal Filtered Water Dispenser  | Yes, Concealed                              |
| Water Filter with Alert (6 Months) | Yes   |
| Crispers                           | 1 - Full-Width, Humidity Controlled         |
| EverFresh+™ Crispers               | Yes   |
| Active Fresh Blue Light™ Crispers  | Yes   |
| Full-Width Deli Drawer             | Yes   |
| Shelves                            | 3 - Full-Depth, Safety Glass (3 Adjustable) |
| Total Number of Door Bins          | 3   |
| Gallon-Sized Door Bins             | 2   |
| Dairy Compartment                  | Yes   |
| Odor Control Technology            | IonGuard®                                   |
| Sabbath Mode                       | Yes   |
| Eco-Mode                           | Yes   |
| Door Open Alarm                    | Yes   |
| Interior Illumination              | LED - Side Walls and Ceiling                |

| FREEZER FEATURES                 |                                |
|----------------------------------|--------------------------------|
| Freezer Configuration            | Drawer                         |
| Freezer Drawers / Baskets / Bins | 1 Removable Drawer             |
| Freezer Interior Illumination    | Yes                            |
| Automatic Ice Maker              | Turbo, Makes up to 11 lbs./Day |
| Auto Defrost                     | Yes                            |

| TECHNICAL INFORMATION     |               |
|---------------------------|---------------|
| Volts / Frequency         | 120 V / 60 Hz |
| Rated Current (A)         | 2 A           |
| Min. Circuit Breaker Size | 15 Amp        |
| Sound Level               | 44 dBA        |
| Refrigerant Type          | R600a         |
| Plug Type                 | NEMA 3-Prong  |
| Power Cord Length         | 6 ft.         |
| Reversible Doors          | Yes           |

| DIMENSIONS & WEIGHT      |                            |
|--------------------------|----------------------------|
| Product (H x W x D) (in) | 83 3/4 x 29 13/16 x 26 3/4 |
| Height with Doors        | 83 3/4                     |
| Height of Cabinet        | 83 1/2                     |
| Depth With Handles       | 26 3/4                     |
| Depth Without Handles    | 24 5/16                    |
| Depth Without Doors      | 21 7/8                     |
| Carton (H x W x D) (in)  | 91 x 33 3/8 x 29 1/2       |
| Product Weight (lbs)     | 476                        |
| Shipping Weight (lbs)    | 520.3                      |

| ACCESSORIES (INCLUDED) |            |
|------------------------|------------|
| Water Filter           | 4874960100 |

| ACCESSORIES (OPTIONAL)   |            |
|--------------------------|------------|
| Replacement Water Filter | 4874960100 |

\* Actual temperatures may vary with environment and other factors

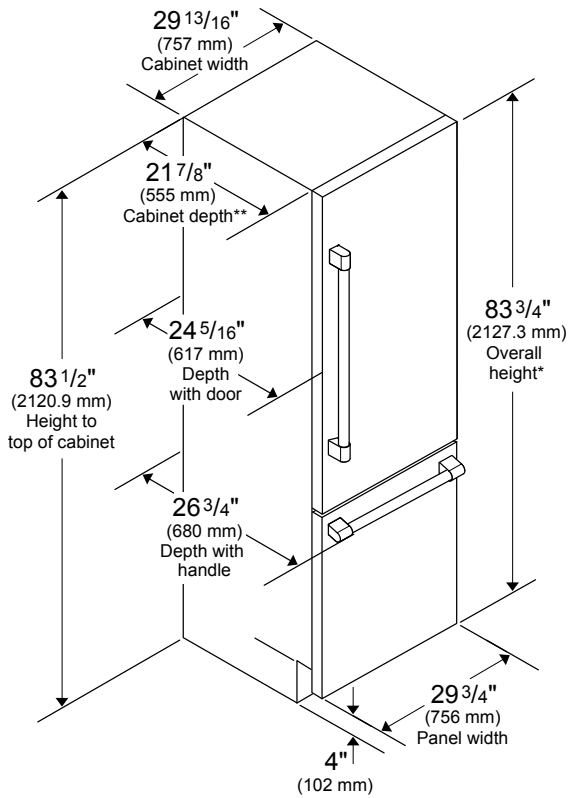
# BBBF3019IMWESS



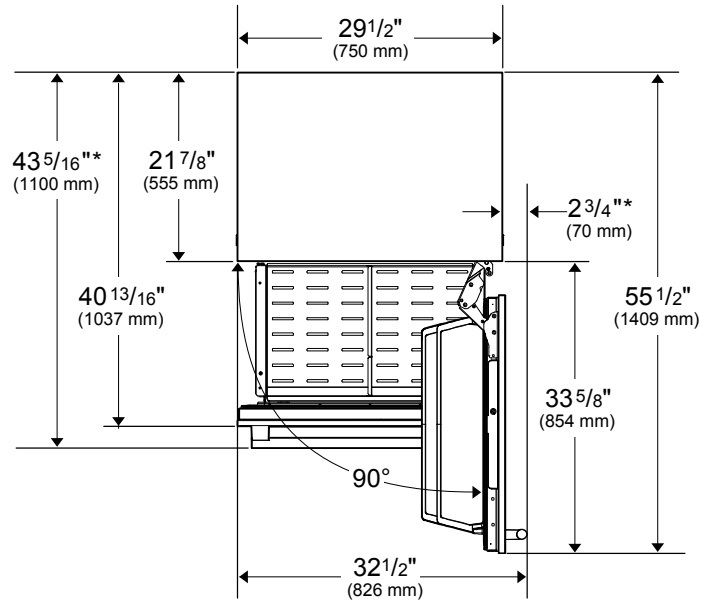
## 30" Built-In Bottom Freezer Refrigerator, Stainless Steel

### WARRANTY

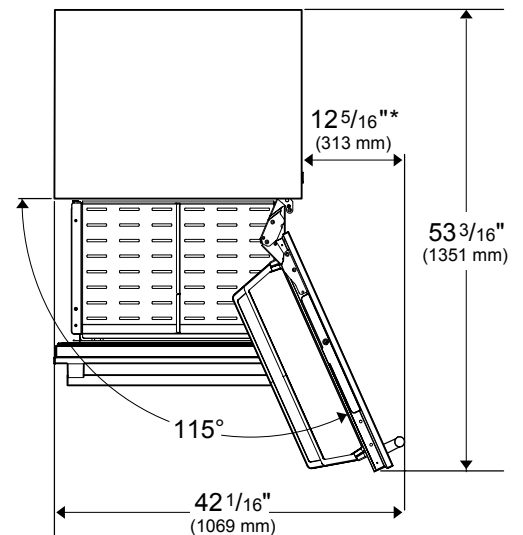
|                                  |                         |
|----------------------------------|-------------------------|
| Entire Appliance (Parts & Labor) | 2-year Full Warranty    |
| Sealed System (Parts Only)       | 5-year Limited Warranty |



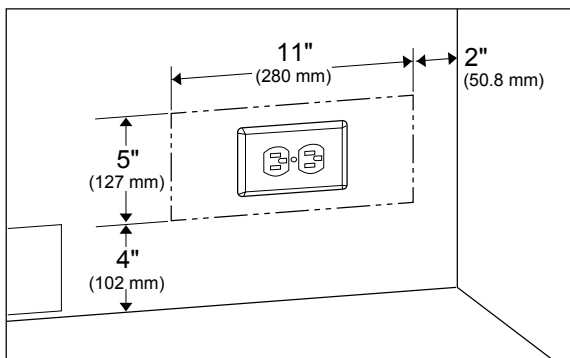
\*Add 1" (25.4 mm) with front leveling feet fully extended  
 \*\*Add 1 3/4" (44.4 mm) for spacers on back



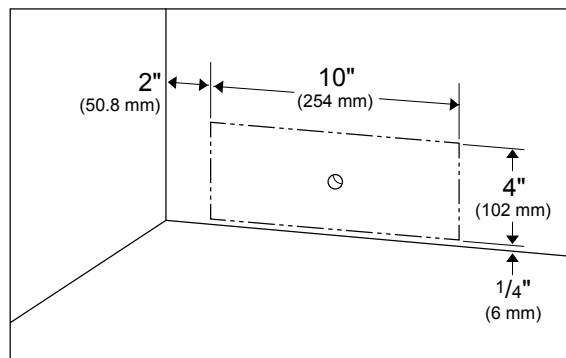
\*Dimension may vary based on panel thickness and door handle design (panel ready model only)



### Electrical Location



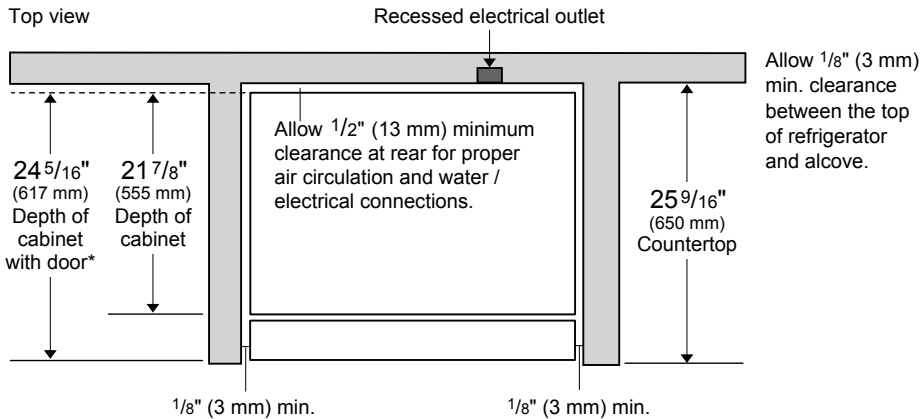
### Water Location (Models with Ice Maker)



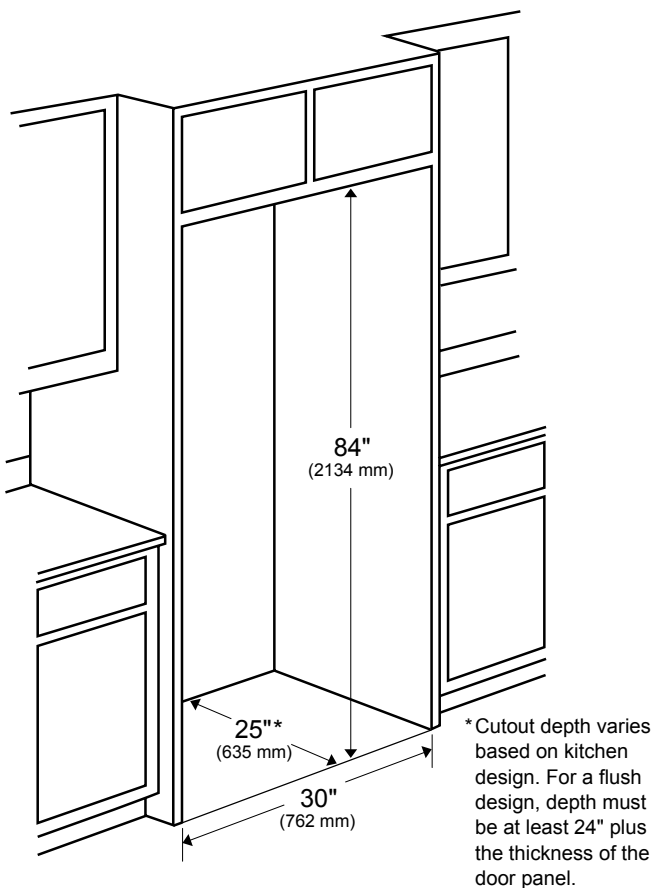
# BBBF3019IMWESS



## 30" Built-In Bottom Freezer Refrigerator, Stainless Steel



\*Dimension may vary based on panel thickness and door handle design (panel ready model only)



NOTE TO THE INSTALLER: All height, width, and depth dimensions are shown in inches (as well as metric). Beko U.S., Inc. reserves the absolute and unrestricted right to change product materials and specifications, at any time, without notice. Please visit our website, [www.BekoAppliances.com](http://www.BekoAppliances.com), or call 888.352.2356 to verify the latest specifications with final dimensional data and other details prior to installation and making a cutout. Applicable product limited warranty information may be found in accompanying product materials, or you may contact your account manager for further details. Proper installation is the responsibility of the installer. Product failure due to improper installation is not covered under the Limited Warranty.