

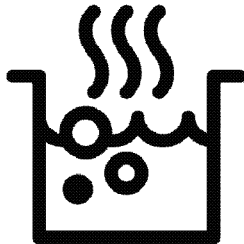


Built-in Gas Cooktop

Installation Manual

IMPORTANT

Installer should leave these instructions with appliance.
Consumer should read these instructions before using the appliance and should retain them for future reference.



BCTG24400SS-BCTG30500SS-BCTG36500SS

EN

READ ALL INSTRUCTIONS BEFORE INSTALLATION



WARNING: Read all safety instructions before using the product. If the information in this manual is not followed exactly, a fire or explosion may result causing property damage, personal injury or death.

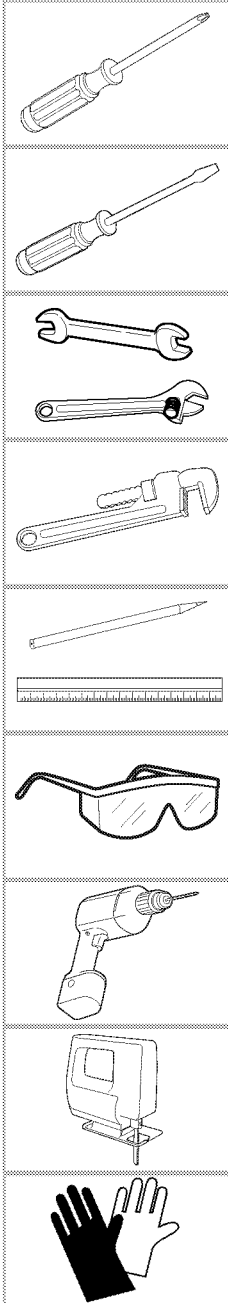
- Do not store or use gasoline or other flammable vapors and liquids in the vicinity of this or any other appliance.
- **WHAT TO DO IF YOU SMELL GAS**
 - Do not try to light any appliance.
 - Do not touch any electrical switch.
 - Do not use any phone in your building.
 - Immediately call your gas supplier from a neighbor's phone. Follow the gas supplier's instructions.
 - If you cannot reach your gas supplier, call the fire department.
- Installation and service must be performed by a qualified installer, service agency or the gas supplier.

TABLE OF CONTENTS

1	PREPARING FOR INSTALLATION	4
	Tools you will need.....	4
	Tools you may need	4
	Materials you may need.....	4
2	INSTALLATION SAFETY INSTRUCTIONS	5
	BEFORE YOU BEGIN	5
3	CLERANCES & DIMENSIONS	7
4	INSTALLING THE COOKTOP for 30” and 36” Models	10
4	INSTALLING THE COOKTOP for 24” Models	12
5	CONNECTION TO GAS SUPPLY	14
6	ELECTRICAL CONNECTIONS	17
7	ASSEMBLE THE BURNERS	19
8	CHECK IGNITION OF BURNERS	20
9	GAS CONVERSION	22

1 PREPARING FOR INSTALLATION

Tools you will need



Phillips screwdriver

Flat-blade screwdriver

Open-end or adjustable wrench

Pipe wrenches (one for backup)

Pencil and ruler

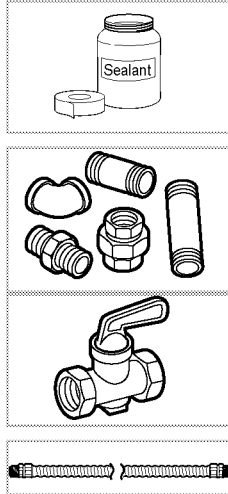
Safety glasses

1/8" Drill Bit & Electric or Hand Drill

Saber saw

Safety gloves

Tools you may need



Joint sealant

Pipe fittings

Shut off valve

Flexible connector

Materials you may need

- Gas line shut-off valve
- To reduce the possibility of gas leaks, apply Teflon tape or a thread compound approved for use with LP or Natural gases to all threaded connections.
- 1/2 " flexible metal appliance connector



WARNING: Never use an old connector when installing a new cooktop.

- Flare union adapter for connection to gas supply line (3/4" or 1/2" NPT x 1/2" I.D.).
- Liquid leak detector or soapy water.

*Teflon: Registered trademark of DuPont

2 INSTALLATION SAFETY INSTRUCTIONS

BEFORE YOU BEGIN

- Before beginning the installation, switch power off at service panel and lock the service disconnecting means to prevent power from being switched on accidentally. When the service disconnecting means cannot be locked, securely fasten a prominent warning device, such as a tag, to the service panel.
-  Important notes to the installer
Read manual before installing the cooker. Be sure to leave these instructions with consumer.
-  Important notes to the consumer
- Keep these instructions for future reference.
- For installation the appliance must be connected in accordance with all local electrical and/or gas regulations.
- Observe all governing codes and ordinances.
- Be sure to leave these instructions with the consumer.
- Be sure your cooktop is installed and grounded properly by a qualified and authorized installer or service technician.
- Remove all packing material and read all literature before connecting gas and electrical supply to cooktop. After installation is completed, dispose of all parts of the packaging according to environmental standards and regulations. Never allow children to play with packing materials.
- Read these instructions completely and carefully. Improper installation, adjustment, alteration, service or maintenance can cause injury, death and property damage.
- The installation must conform with local codes or, in the absence of local codes, with the National Fuel Gas Code, ANSI Z223.1/NFPA 54 or, in Canada, the Natural Gas and Propane Installation Code, CSA B149.1.
- This product has been design-certified by UL according to latest edition of ANSI Z21.1 / CSA 1.1.
- This appliance, when installed, must be electrically grounded in accordance with local codes or, in the absence of local codes, with the National Electrical Code, NFPA 70 or the Canadian Electric Code, CSA C22.1-02. Refer to 6. Electrical Connections, in this manual.
- Never reuse old flexible connectors. The use of old flexible connectors can cause gas leaks, personal injury, death and property damage. Always use NEW flexible connectors when installing a gas appliance.
- Leak testing of the appliance shall be conducted according to the manufacturer instructions. Refer to 5. CONNECTION TO GAS SUPPLY, in this manual.
- Avoid placing cabinets above the cooktop. To minimize the hazard caused by reaching over the open flames of operating burners, install a ventilation hood over the cooktop that projects forward at least 5" beyond the front of the cabinets.
- An air curtain or other overhead range hood, which operates by blowing a downward airflow onto this appliance, shall not be used in conjunction with this gas appliance. This airflow may interfere with operation of the gas burners resulting in fire or explosion hazard.
- To avoid damage to your cabinets, check with your builder or cabinet supplier to make sure that the materials used will not discolor, delaminate or sustain other damage. This product has been designed in accordance with the requirements of UL and CSA International and complies with the maximum allowable wood cabinet temperatures of 194°F (90°C).
- The California Safe Drinking Water and Toxic Enforcement Act requires the Governor of California to publish a list of substances known to the State of California to cause cancer, birth defects, or other reproductive harm, and requires businesses to

warn of potential exposure to such substances.



IMPORTANT:

This product contains a chemical known to the State of California to cause cancer, birth defects, or other reproductive harm.

- This appliance can cause low-level exposure to some of the substances listed, including benzene, formaldehyde, carbon monoxide, and toluene.
- Call service for obtaining replacement parts. Contact information can be found at the last page of the user manual.

Room ventilation

All rooms require an openable window, or equivalent, and some rooms will require a permanent vent as well.

The air for combustion is taken from the room air and the exhaust gases are emitted directly into the room.

Good room ventilation is essential for safe operation of your appliance.

If the room where the appliance is installed does not have a door or a window that opens directly to the outer environment, there must definitely be a fixed ventilation opening in the room. The fixed ventilation must be nonadjustable and non-closable.

On the doors or windows that open directly to the outer environment, there must be a ventilation opening with the dimensions specified based on the total gas power of the appliance (as shown below). You can find the gas power and ventilation opening match-up in the table below.

Total gas consumption (BTU/h)	min. Ventilation opening (inch ²)
0-6800	16
6800-10200	19
10200-13600	27
13600-20500	47
20500-27300	62
27300-34100	78
34100-39200	93
39200-44400	109
44400-52900	124
52900-58000	140
58000-64800	155
64800-81900	194

If the doors or windows that open directly to the outer environment do not have openings corresponding to the ventilation opening specified according to the total gas power of the product, there must definitely be a fixed ventilation opening in the room. The fixed ventilation opening should also be in compliance with the values in the gas power-ventilation opening table.

There should be a minimum clearance of 10 mm on the bottom edge of the door -that opens to the inner environment- in the room where the product is installed. You must make sure that items such as carpets, floorings, etc. do not cover this clearance when the door is closed. The cooker may be located in a kitchen, kitchen/diner or a bed-sitting room, but not in a room containing a bath or shower. The cooker must not be installed in a bed-sitting room of less than 20m³.

Do not install this appliance in a room below ground level unless it is open to ground level on at least one side.

3 CLEARANCES & DIMENSIONS

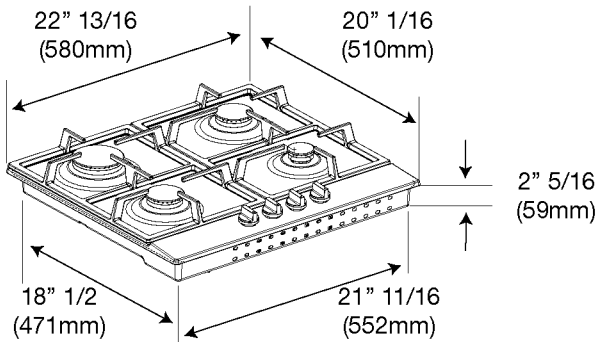
Provide adequate clearances between the cooktop and adjacent combustible surfaces. These dimensions must be met for safe use of your cooktop.

Allow 30" (76.2 cm) minimum clearance between burners and bottom of unprotected wood or metal cabinet.

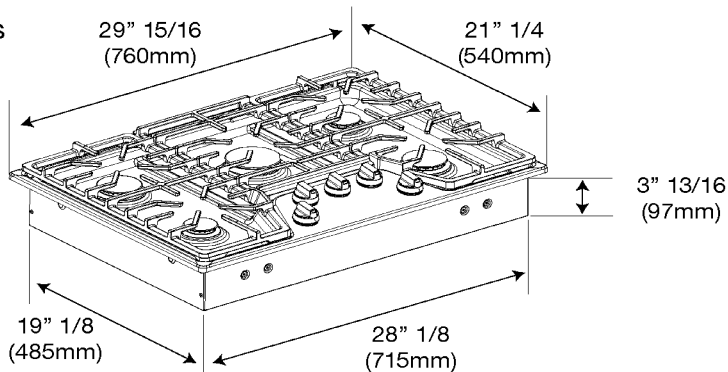
Installation of a listed microwave oven or cooking appliance over the cooktop shall conform to the installation instructions packed with that appliance.

Built-in oven installation, shall conform to the installation instruction packed with the built-in oven.

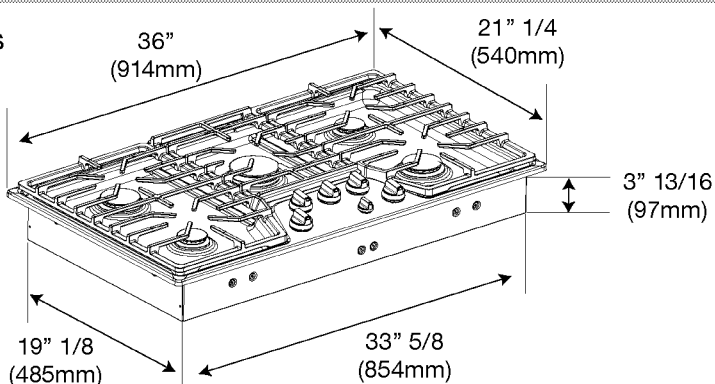
24" Models



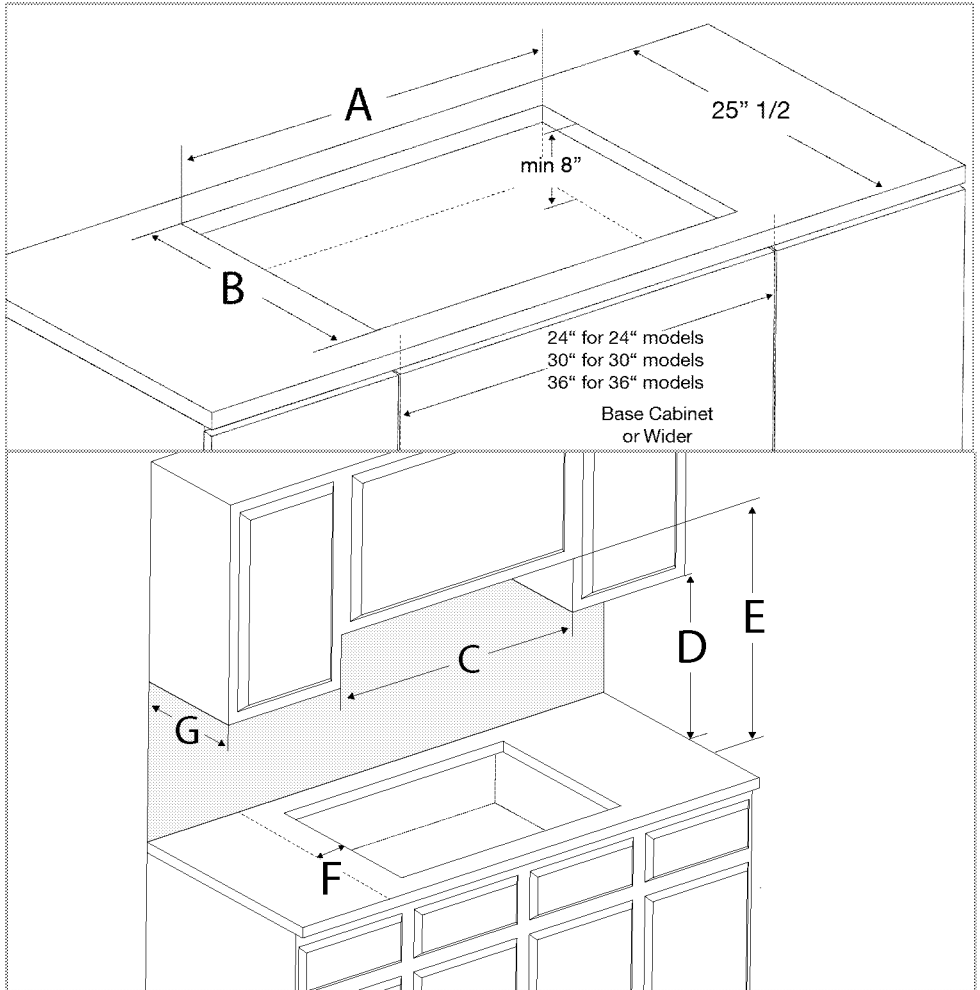
30" Models



36" Models



Clearance dimensions



CUTOUT WIDTH	A	B	C	D	E	F	G
24" (614 mm)	22-1/16" (560 mm)	19-5/16" (490 mm)	24" (614 mm)	18" (457 mm) min Height from countertop to nearest cabinet on either side of unit	30" (76.2 cm) min. (see note) Clearance from countertop to unpro- tected overhead surface	See next tables for all clearances	The maxi- mum depth of cabinets installed above top surface cooking sections shall be 13" (330 mm).
30" (762 mm)	28-3/8" (720 mm)	19-5/16" (490 mm)	30" (762 mm)				
36" (914 mm)	33-7/8" (860 mm)	19-5/16" (490 mm)	36" (914 mm)				

Clearances from cooktop to combustible surfaces for 24”:

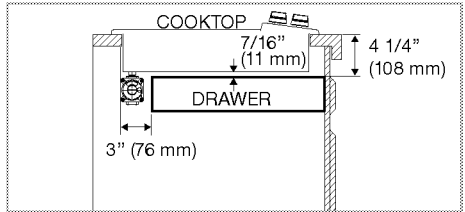
Sides:	12”
Rear:	3”
Front edge:	3-3/16”
Countertop to overhead cabinet:	30”
Height from countertop to side cabinets:	18”
Maximum depth of overhead cabinets:	13”
Cooktop bottom to combustible drawer	7/16”
Cooktop bottom to other surface:	7/16”

Clearances from cooktop to combustible surfaces for 30”-36”:

Sides:	12”
Rear:	3-3/8”
Front edge:	2-13/16”
Countertop to overhead cabinet:	30”
Height from countertop to side cabinets:	18”
Maximum depth of overhead cabinets:	13”
Cooktop bottom to combustible drawer	7/16”
Cooktop bottom to other surface:	7/16”

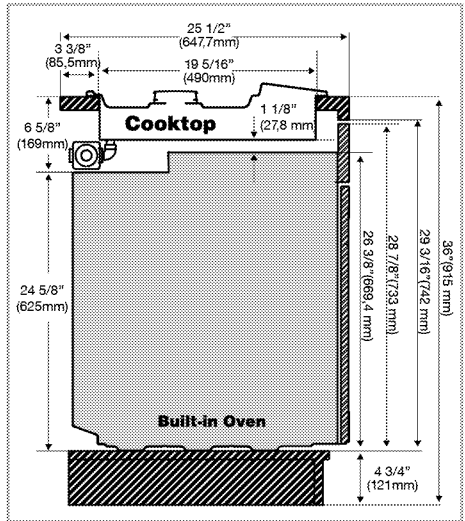
If a drawer bottom cooktop

Allow 7/16” minimum vertical clearance from the cooktop bottom (or 4-1/4” minimum depth from the countertop) to any combustible surfaces, such as a cabinet drawer.



If a built-in oven bottom cooktop

Dimensions based on standard countertop height (3” with 4-3/4” toe kick including base plate) The built-in oven can be installed below the gas cooktop as long as there is no contact between the bottom of the cooktop and the top of the oven.

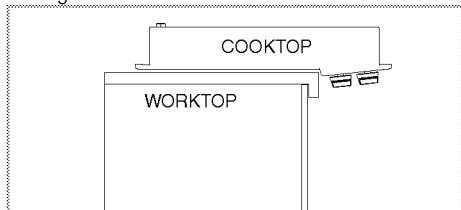


4 INSTALLING THE COOKTOP for 30" and 36" Models

1. APPLY THE SEALING GASKET

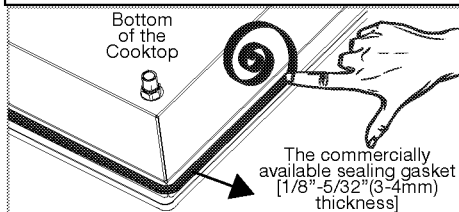
During installation of your cooktop, place the product parallel to the installation surface. Also, apply sealing gasket to the parts of the cooktop contacting the countertop as described below in order to prevent any liquid from penetrating between the product and the countertop.

Turn the cooktop upside down; place it on a flat surface. When turned upside down, place the cooktop as shown in the below figure so that it is not laid on the knobs. In case excessive force is applied on the knobs, gas taps that are connected to knobs can be damaged and gas leakage can occur.



The commercially available sealing gasket must be applied on the lower casing bend around the cooktop as shown in the figure.

NOTICE:
The sealing gasket is not supplied with product. Please supply from market. Thickness of the gasket must be between 1/8"-5/32"(3-4mm) .

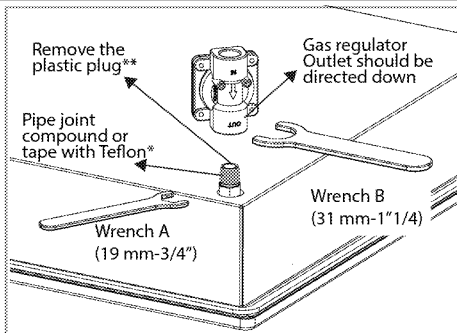


2. INSTALL GAS REGULATOR

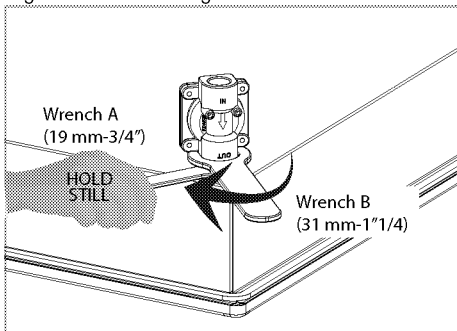
Gas regulator is supplied with cooktop. To prevent gas leaks, apply pipe joint compound or tape with Teflon* around all cooktop gas inlet male threads.

**Before the connection, remove the plastic plug on the cooktop gas inlet.

Outlet of the gas regulator should be connected to cooktop gas inlet as shown in the figure below.

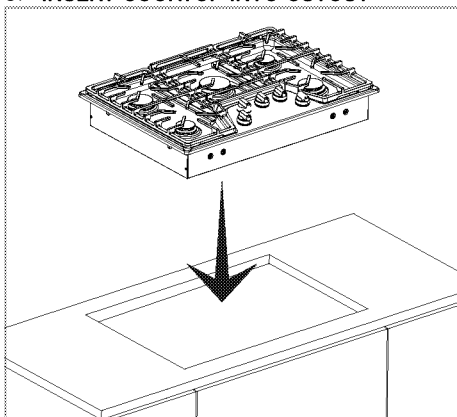


Hold the cooktop gas inlet with A wrench (19 mm – 3/4"). Then hold the gas regulator with B wrench (31 mm – 1 1/4") and install the gas regulator with rotating wrench B clockwise.



*Teflon: Registered trademark of DuPont

3. INSERT COOKTOP INTO CUTOUT

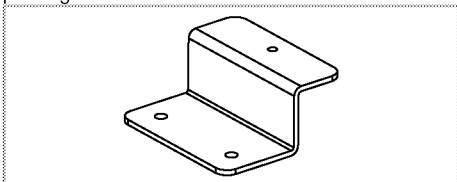


Insert the cooktop centered into the cutout

opening. Be sure the front edge of the countertop is parallel to the cooktop. Make final check that all required clearances are met.

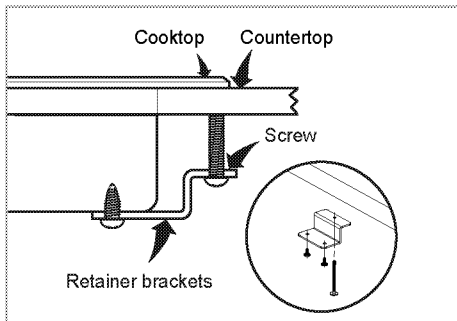
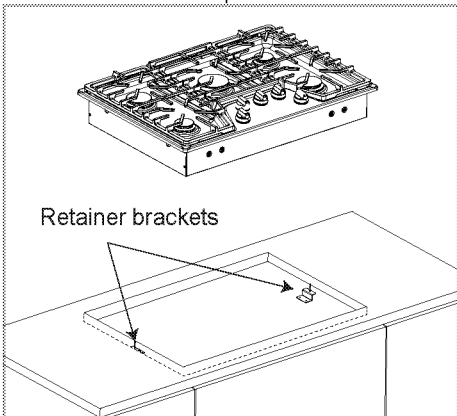
4. LOCATE RETAINER BRACKETS

Remove the retainer brackets from the literature package.



5. INSTALL THE RETAINER BRACKETS

Install the retainer brackets to the bottom of the cooktop unit. Then snug the bolts against the bottom of the countertop as shown.



NOTE: The retainer brackets MUST be installed to meet local codes or, in their absence, with the National Electrical Code ANSI/NFPA No. 70, latest edition.

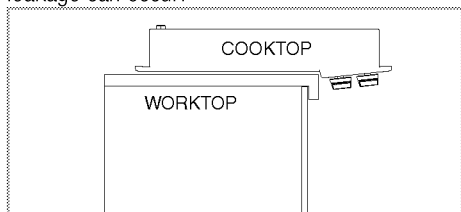
WARNING:
Installing retainer brackets to different holes is not a good practice in terms of safety since it can damage the gas and electrical system.

4 INSTALLING THE COOKTOP for 24" Models

1. APPLY THE PUTTY

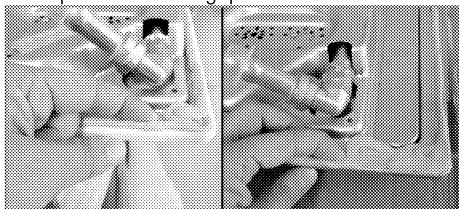
During installation of your cooktop, place the product parallel to the installation surface. Also, apply sealing gasket to the parts of the cooktop contacting the countertop as described below in order to prevent any liquid from penetrating between the product and the countertop.

Turn the cooktop upside down; place it on a flat surface. When turned upside down, place the cooktop as shown in the below figure so that it is not laid on the knobs. In case excessive force is applied on the knobs, gas taps that are connected to knobs can be damaged and gas leakage can occur.



In order to avoid the foreign substances and liquids penetrate between the hob and the counter, please apply the putty supplied in the package on the contours of the lower housing of the hob but make sure that the putty does not overlap.

Fill the corners by forming bends at the corners as illustrated in the figure. Form as much bend as required to fill the gap in the corners.

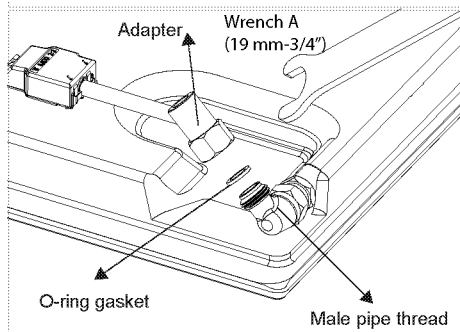
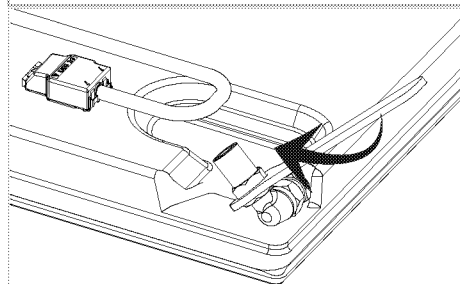
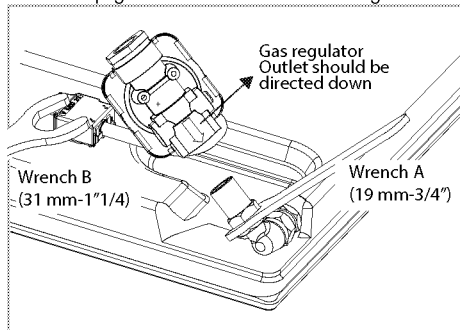


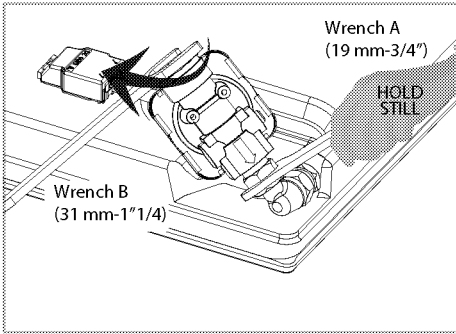
Make sure that the skirting sections on the lower housing of the hob are filled with putty.

2. INSTALL GAS REGULATOR (For 24" models)

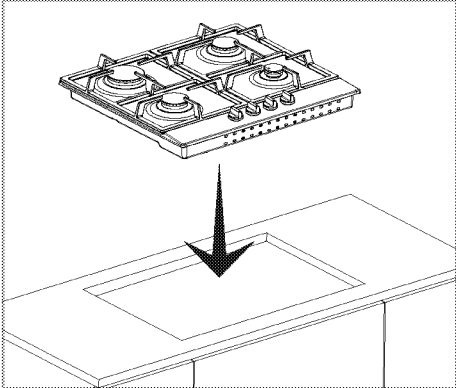
Gas regulator is supplied with cooktop.

Outlet of the gas regulator should be connected to cooktop gas inlet as shown in the figure below.





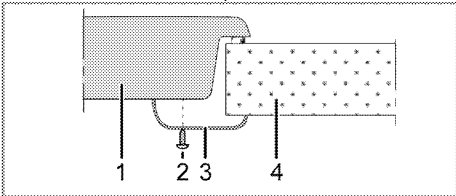
3. INSERT COOKTOP INTO CUTOUT



Insert the cooktop centered into the cutout opening. Be sure the front edge of the countertop is parallel to the cooktop. Make final check that all required clearances are met.

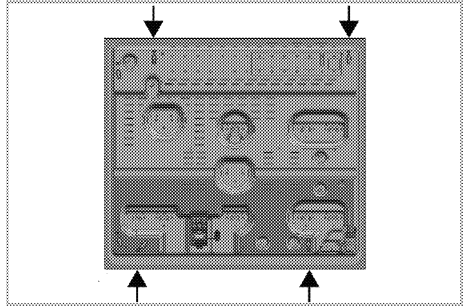
4. INSTALL THE RETAINER BRACKETS

Install the retainer brackets to the bottom of the cooktop unit. Then snug the bolts against the bottom of the countertop as shown.



- 1 Hob
- 2 Screw
- 3 Installation clamp
- 4 Counter

Rear view (connection holes)



NOTE: The retainer brackets MUST be installed to meet local codes or, in their absence, with the National Electrical Code ANSI/NFPA No. 70, latest edition.



WARNING:

Installing retainer brackets to different holes is not a good practice in terms of safety since it can damage the gas and electrical system.



DANGER:

Making connections to different holes is not a good practice in terms of safety since it can damage the gas and electrical system.



DANGER:

There are gas and electric components on hobs. Therefore stove, only the connection hole shown in this manual should only be fixed to the unit as shown in the manual using the supplied fasteners and screws supplied. Otherwise, it is dangerous to the life and property safety.

5 CONNECTION TO GAS SUPPLY

The gas connection is located at rear right bottom of the cooktop.

Shut off main gas supply valve before disconnecting the old cooktop and keep it off until the new hook-up has been completed.

If not already present, install gas shut off valve in an easily accessible location. Make sure all users know where and how to shut off the gas supply to the range.



NOTICE:

The installer must inform the consumer of the location of the gas shut-off valve.

This appliance has been tested in accordance with the following standards:

- This product has been design-certified by UL according to latest edition of ANSI Z21.1 / CSA 1.1.
- Be sure your appliance is properly installed and grounded by a qualified and authorized technician in accordance with the National Fuel Gas Code NFPA 54 / ANSI Z223.1 (latest edition), or in Canada, CAN/CGA B149.1, and CAN/CGA B149.2 (latest edition), and National Electrical Code ANSI/NFPA 70 (latest edition) or in Canada CSA C22.1 (latest edition) and local code requirements.

For Massachusetts Installations:

1. Installation must be performed by a qualified and licensed contractor, plumber or gas fitter qualified and licensed by the state, province or region where this appliance is being installed.
2. Shut-off valve must be a "T" handle gas cock.
3. Flexible gas connector must not be longer than 36 inches.

High Altitude Installation note:

This cooker is UL certified for safe operation up to an altitude of 2,000 ft. without any modifications. For higher altitudes, please contact with Service.



WARNING:

This product can be converted to LP Gas. Gas conversion must always be performed by Authorized Service Agents.

Important note for LP users

The range is shipped from the factory for use with natural gas. For use with propane (LP) gas, your range must first be converted using the LP conversion kit.

Rigid Pipe Method

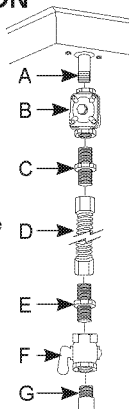
The configuration of the rigid pipe connection will vary depending on the location of the gas pipe stub.

Because rigid piping restricts movement of the cooktop, the use of a certified flexible metal appliance connector is recommended unless local codes require a rigid-piped connection.

If the rigid piping method is used, you must carefully align the pipe; the cooktop cannot be moved after the connection is made.

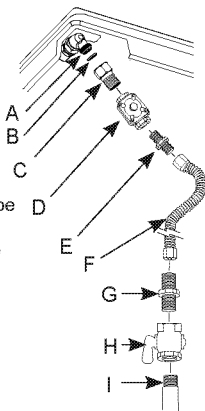
30" and 36" GAS CONNECTION

- A. 3/8" NPT male pipe thread
- B. Regulator provided with unit:
 - Outlet - 3/8" NPT female pipe thread
 - Inlet - 1/2" NPT female pipe thread
- C. Adapter
- D. Flexible connector
- E. Adapter
- F. Manual shut-off valve
- G. Gas pipe 1/2" or 3/4"



24" GAS CONNECTION

- A. Male pipe thread
- B. O-ring gasket
- C. Adapter
- D. Regulator provided with unit:
 - Outlet - 1/2" NPT female pipe thread
 - Inlet - 1/2" NPT female pipe thread
- E. Adapter
- F. Flexible connector
- G. Adapter
- H. Manual shut-off valve
- I. Gas pipe




To prevent gas leaks, apply pipe joint compound or wrap pipe thread tape with Teflon® around all male (external) pipe threads except 24" cooktop gas inlet male pipe thread.

*Teflon: Registered trademark of DuPont

Flexible Connector Method (30" -36" Models)

1. A manual shut-off valve (F) shall be installed in an accessible location in the gas piping external to the appliance for the purpose of turning on or shutting off gas to the appliance. Be sure everyone operating the cooktop knows where and how to shut off the gas supply to the cooktop.
2. Install male 1/2" flare union adapter (C) to the 1/2" NPT internal thread at inlet of pressure regulator (B). Use a backup wrench on the pressure regulator (B) fitting to prevent damage.
3. Install male 1/2" or 3/4" flare union adapter (E) to the NPT internal thread of the manual shut-off valve (F), taking care to back-up the shut-off valve to keep it from turning.
4. Connect a flexible metal connector (D) to the adapter on the cooktop. Position the cooktop to permit connection at the shut-off valve.




WARNING:
Make sure flexible connector is not damaged while positioning the cooktop. Otherwise gas leakage can result to fire, injury or death.

Inlet pressure ratings of the regulator provided with unit for 24" model are 4" WC for NG and 11" WC for LPG. Inlet pressure ratings of the regulator provided with unit for 30" and 36 "models are 5" WC for NG and 10" WC for LPG.

Gas supply pressures for checking the regulator setting are 7" WC for NG and 12" WC for LPG for all models.

5. When all connections have been made, be sure all cooktop controls are in the off position and turn on the main gas supply valve. Check for gas leaks by using manometer. If a manometer is not available, turn the gas supply on to the cooktop on and use a non-corrosive liquid leak detector at all joints and connections to check for leaks. **Bubbles appearing around fittings and connections indicate a leak.** Tighten all connections, if necessary, to prevent gas leakage in the cooktop or supply line.




WARNING:
Never check for leaks with a flame. Do not continue to the next step until all leaks are eliminated.

The appliance and its individual shut-off valve must be disconnected from the gas supply piping system during any pressure testing of that system at test pressures in excess of 1/2 psi (3.5 kPa).

The appliance must be isolated from the gas supply piping system by closing its individual manual shut-off valve during any pressure testing of the gas supply piping system at test pressures equal to or less than 1/2 psi (3.5 kPa).

Flexible Connector Method (24" Models)


1. Install a manual gas line shut-off valve (H) in the gas line in an easily accessed location outside of the cooktop. Be sure everyone operating the cooktop knows where and how to shut off the gas supply to the cooktop.
2. Install male 1/2" flare union adapter (E) to the 1/2" NPT internal thread at inlet of pressure regulator (D). Use a backup wrench on the pressure regulator (D) fitting to prevent damage.
3. Install male 1/2" or 3/4" flare union adapter (G) to the NPT internal thread of the manual shut-off valve (H), taking care to back-up the shut-off valve to keep it from turning.
4. Connect a flexible metal connector (F) to the adapter on the cooktop. Position the cooktop to permit connection at the shut-off valve.

 <p>WARNING: Make sure flexible connector is not damaged while positioning the cooktop. Otherwise gas leakage can result to fire, injury or death.</p>

Inlet pressure ratings of the regulator provided with unit for 24" model are 4" WC for NG and 11" WC for LPG. Inlet pressure ratings of the regulator provided with unit for 30" and 36" models are 5" WC for NG and 10" WC for LPG.

Gas supply pressures for checking the regulator setting are 7" WC for NG and 12" WC for LPG for all models.

5. When all connections have been made, be sure all cooktop controls are in the off position and turn on the main gas supply valve. Check for gas leaks by using manometer. If a manometer is not available, turn the gas supply on to the cooktop on and use a non-corrosive liquid leak detector at all joints and connections to check for leaks. **Bubbles appearing around fittings and connections indicate a leak.** Tighten all connections, if necessary, to prevent gas leakage in the cooktop or supply line.

 <p>WARNING: Never check for leaks with a flame. Do not continue to the next step until all leaks are eliminated.</p>

The appliance and its individual shut-off valve must be disconnected from the gas supply piping system during any pressure testing of that system at test pressures in excess of 1/2 psi (3.5 kPa).

The appliance must be isolated from the gas supply piping system by closing its individual manual shut-off valve during any pressure testing of the gas supply piping system at test pressures equal to or less than 1/2 psi (3.5 kPa).

6 ELECTRICAL CONNECTIONS



IMPORTANT:

Electrical installation should comply with national and local codes.

The appliance, when installed, must be electrically grounded in accordance with local codes or, in the absence of local codes, with the National Electrical Code, NFPA 70 or the Canadian Electric Code, CSA C22.1-02.



IMPORTANT:

This appliance must be grounded!



WARNING

Avoid fire hazard or electrical shock. Do not use an adapter plug. Do not use an extension cord. Do not remove grounding prong from electrical power cord. Failure to follow this warning can cause serious injury, fire or death.



WARNING

Risk of Electric Shock or Fire. Grounding through the neutral conductor is prohibited for new branch circuit installations (1996 NEC), mobile homes, and recreational vehicles, or in an area where local codes prohibit grounding through the neutral conductor.

This appliance is equipped with a 3-prong grounding plug for your protection against shock hazard and should be plugged directly into a properly grounded receptacle. DO NOT cut or remove the grounding prong from this plug. Otherwise there is a risk of electric shock.

For personal safety, the cooktop must be properly grounded. For maximum safety, the power cord must be plugged into an electrical outlet that is correctly polarized and properly grounded.

If a 2-prong wall receptacle is the only available outlet, it is the personal responsibility of the consumer to have it replaced with a properly grounded 3-prong wall receptacle installed by a qualified electrician.



WARNING

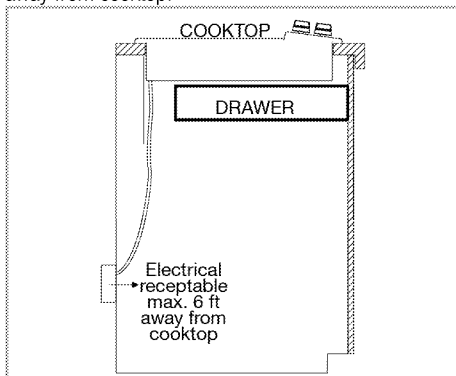
Do not ground to a gas pipe.

Our company shall not be held responsible for any damage caused by using the appliance without grounded receptacle.

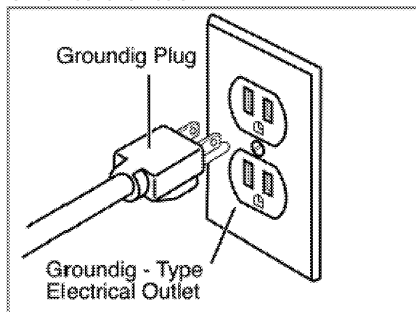
The wiring diagram covering the control circuit is located bottom of the cooktop

The main supply data must correspond to the data specified on the rating plate of the appliance.

The electrical receptacle should be placed max. 6 ft away from cooktop.



To minimize possible shock hazard, the cord must be plugged into a mating 3-prong ground-type outlet, grounded to conform with the National Electrical Code, ANSI/NFPA 70 latest edition, or Canadian Electrical Code (CSA) and all local codes and ordinances. Refer to the illustration below.



WARNING

Risk of electric shock, short circuit or fire by damage of the main power supply!

The main power supply lead must not be clamped, bent or trapped or come into contact with hot parts of the appliance.

If the main power supply is damaged, it must be replaced by a qualified electrician.

A suitable wall receptacle shall be provided in the vicinity of the product.

**IMPORTANT:**

The gas cooker requires a 110/120VAC electrical supply to operate the ignition system. The 6' (1.8 m) power supply cord provided with the range is equipped with a 3-prong, grounded plug for protection against shock hazard. The electric installation of the house should have its own 15 amp circuit breaker.

**IMPORTANT:**

You must follow all National Electrical Code and gas regulations. In addition, be aware of local codes and ordinances when installing your services.

CAUTION

GOOD



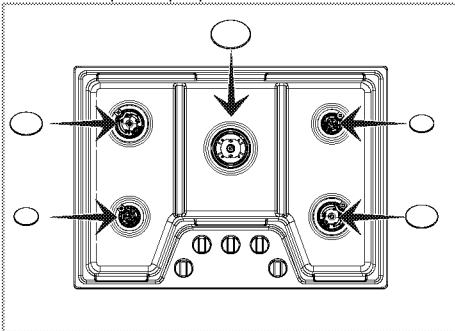
NO GOOD

120 VAC POLARITY SPECS A39074

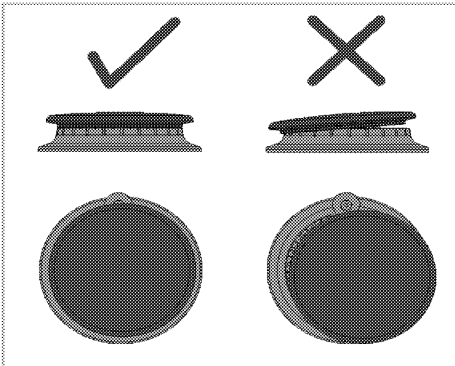
Image is from blade side of plug

7 ASSEMBLE THE BURNERS

1. Place caps on proper size burner.

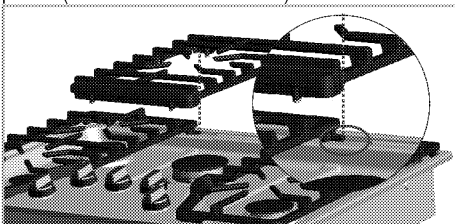


2. Make sure that the caps are placed in the correct locations.

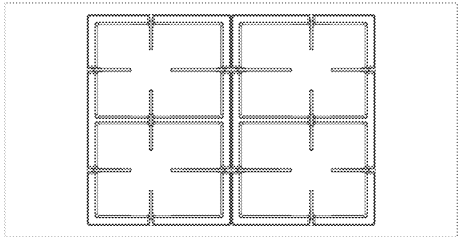


3. Place the grates on the cooktop. For maximum stability, these grates should only be used in their proper position. Because of the varied burner sizes, the side grates cannot be exchanged nor can any of the grates be rotated front to back.

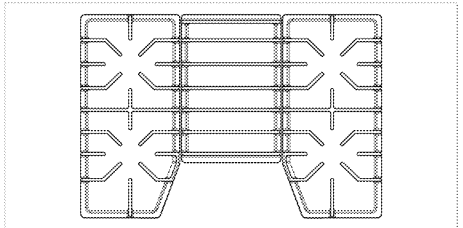
It is important that the position of the middle grates. The grates has a slit that positioned over the assemble guide on other grates and burner plate. (for 30" and 36" models)



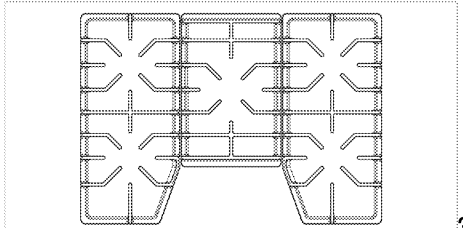
24" 4 burners model



30" 4 burners model

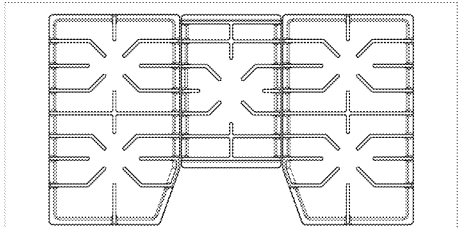


30" 5 burners model



3

36" 5 burners model



8 CHECK IGNITION OF BURNERS

1. Turn on power at breaker

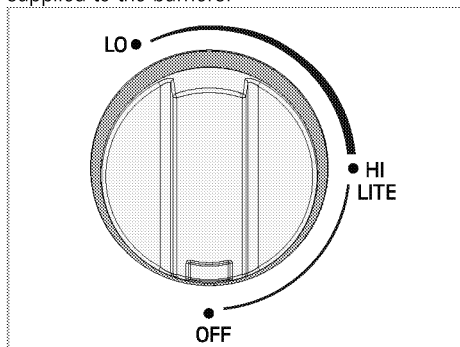
Make sure all gas and electrical connection is done safely before checking for ignition of surface burners. Turn on power at breaker.

2. Verify the cap and grates placement

Make sure all burners are in their correct locations and fully assembled before attempting to operate any burner.

3. Ignite the burners

Gas burners are controlled with gas hob knobs. "HI" symbol indicates the highest cooking power and "LO" symbol corresponds to the lowest cooking power. In "OFF" position, gas is not supplied to the burners.



- 1. Keep burner knob pressed.
- 2. Turn it counter clockwise to level "LITE".
- The igniter module will produce a spark sound. Gas is ignited with the spark created.

DANGER:
All igniters spark when any single burner is turned on. Do not touch any of the burners when the cooktop is in use.

DANGER:
In case of electrical power cut, ignition and reignition flame control system does not work. Turn the gas hob knobs to "OFF" position and do not operate your cooktop. Otherwise there is a risk of gas leakage.

- 3. Adjust it to the desired cooking power.

DANGER:
If the burner is not ignited within 4 seconds, turn the burner control knob to OFF position. Make sure all burners are in their correct position, control all gas piping against gas leakage and make sure gas supply is not turned off. Wait at least 1 minute and make sure room is well ventilated before trying for ignition again. There is the risk of gas accumulation and explosion!

DANGER:
In case of electrical power cut, reignition flame control system does not work. Turn the gas hob knobs to "OFF" position and do not operate your cooktop. Otherwise there is a risk of gas leakage.

4. Test flame: High Setting. Turn burner to "HI". See appropriate flame characteristics section. If any of the burners continue to burn mostly or completely yellow, call Service.

5. Test Flame: Low Setting. Turn burner to "LO". Verify that the flame completely surrounds the burner. There should be flame at each burner port and there should be no air gap between the flame and the burner. If any of the burners do not comply, call Service.

Test the ignition and flame of each range top burner as described above.

Combustion quality of burner flames can be confirmed if

- there is a flame at each cooktop burner flame port,
- there is no air gap between the flame and the burner flame port.

Flame characteristics

The burner flame should be soft blue in color and stable with no yellow tips, excessive noise or fluttering. It should burn completely around the burner cap.

Yellow Flames:

Further adjustment is required



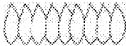
Yellow Tips on Outer Cones:

Normal for LP Gas.



Soft Blue Flames:

Normal for Natural Gas.



If the flame is completely or mostly yellow, verify that the regulator is set for the correct gas type and correct injectors are used on the burners. After adjustment, retest.

Some yellow streaking is normal during the initial use. Allow unit to operate 10-15 minutes and re-evaluate before making adjustments.

Foreign particles in the gas line may cause an orange flame during initial use. This should disappear with use. Check burner to make sure port holes are not obstructed and not clogged.

Call service if;

1. Any of the burners do not light.
2. Any of the burners continue to burn yellow.

9 GAS CONVERSION

This cooktop leaves the factory set for use with natural gas. When converting to LP gas, the conversion must be performed by a qualified LP gas installer.

The conversion instructions and LP orifices are supplied with your cooktop. Keep these instructions and the orifices in case you want to convert back to natural gas.