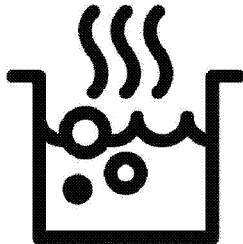




Built-in Gas Cooktop
User Manual



BCTG36500SS

EN

185.9105.05/R.AF/9.07.2024/3-1

7751688359



RECYCLED &
RECYCLABLE PAPER

IMPORTANT SAFETY INSTRUCTIONS

READ AND SAVE THESE INSTRUCTIONS



WARNING: Read all safety instructions before using the product. If the information in this manual is not followed exactly, a fire or explosion may result causing property damage, personal injury or death.

— Do not store or use gasoline or other flammable vapors and liquids in the vicinity of this or any other appliance.

— WHAT TO DO IF YOU SMELL GAS

- Do not try to light any appliance.
- Do not touch any electrical switch.
- Do not use any phone in your building.
- Immediately call your gas supplier from a neighbor's phone. Follow the gas supplier's instructions.
- If you cannot reach your gas supplier, call the fire department.

— Installation and service must be performed by a qualified installer, service agency or the gas supplier.



IMPORTANT:

This appliance is intended for normal household use only. It is not approved for outdoor or other non-household uses (including sea or air-going vessels). See the Statement of Limited Warranty. If you have any questions, contact the manufacturer.

Do not repair or replace any part of the appliance unless specifically recommended in this manual. Refer all servicing to a factory authorized service center.

Explanation of symbols

Throughout this User Manual the following symbols are used:



Important information or useful hints about usage.



Warning for hazardous situations with regard to life and property.



Warning for electric shock.



Warning for risk of fire.



Warning for hot surfaces.

DANGER indicates a hazardous situation which, if not avoided, will result in death or serious injury.

WARNING indicates a hazardous situation which, if not avoided, could result in death or serious injury.

CAUTION indicates a hazardous situation which, if not avoided, could result in minor or moderate injury.

NOTICE is used to address practices not related to physical injury.

Dear Customer,

Your product has been manufactured in modern facilities and has passed strict quality control procedures.

To obtain the best performance, we request that you read through this user manual carefully, especially the safety instructions, before using your product and that you keep it for future reference. If this product is given to another consumer, please give them this manual for their reference.



IMPORTANT:

Save these instructions for the local electrical inspectors use.



IMPORTANT:

This product can only be used in a room which incorporates a properly adjusted and functioning Carbon Monoxide and smoke sensors. Make sure the Carbon Monoxide and smoke sensors work properly and are maintained done frequently. Carbon Monoxide and smoke sensor should be installed maximum 6.5 feet away from the product.

The instructions will help you to operate the appliance properly and safely.

- Upon delivery, please check that the appliance is not damaged. If you note any transport damage, please contact the shipping company or company where you purchased the appliance immediately and do not connect and operate the appliance!
- When you pass on the appliance to another person, please provide all documents including original sales receipt which should show the date of purchasing. Warranty is not valid if the product is sold second hand.
- If you should decide not to use this appliance any longer (or decide to substitute an older model), before disposing of it, it is recommended that it be made inoperative in an appropriate manner in accordance with health and environmental protection regulations, ensuring in particular that all potentially hazardous parts be made harmless, especially in relation to children who could play with old appliances.

TABLE OF CONTENTS

1 Safety Instructions - Read before use

6

Basic safety instructions	6
Safety for children	8
Safety when working with electricity	9
Safety when working with gas	9
Intended use	11
Disposal	11
Packaging material	11
Future transportation	12

2 Preparation

13

Tips for saving energy	13
Initial use	13
First cleaning of the appliance	13
Initial heating	13

3 How to use the hob

14

General information about cooking	14
Using the hobs	15

4 Maintenance and care

18

General information	18
Cleaning the burner/plate	18
Cleaning the control panel	19

5 General information

20

Overview	20
Technical specifications	21
Injector table	22

6 Troubleshooting

23

7 BEKO US RESIDENTIAL PRODUCT

WARRANTY **24**

1 Safety Instructions - Read before use

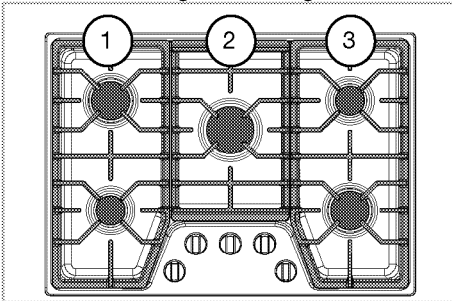


Basic safety instructions

- This appliance is not intended for use by persons (including children) with reduced physical, sensory or mental capabilities, or lack of experience and knowledge, unless they have been given supervision or instruction concerning use of appliance by a person responsible for their safety.
- Children should be supervised to ensure that they do not play with the appliance.
- Never use when judgment or coordination is impaired by the use of alcohol and/or drugs
- If the supply cord damaged, it must be replaced by a special cord or assembly available from the manufacturer or its service agent or similarly qualified persons.
- Do not operate the appliance if it is defective or shows any visible damage.
- Do not carry out any repairs or modifications on the appliance. However, you may remedy some malfunctions; see Troubleshooting.
- Only authorized replacement parts may be used in performing service on the cooktop. Replacement parts are available from factory authorized parts distributors. Contact the nearest parts distributor in your area.
- Never modify or alter the construction of the cooktop including by removing screws or any other part of the appliance.
- Be careful when using alcoholic drinks in your dishes. Alcohol evaporates in high temperatures and may cause fire since it will catch fire when it gets in contact with hot surfaces.
- Your body accidentally can turn the knobs, please make sure that your body do not touch to knobs not for use.
- **WARNING:** Food Poisoning Hazard: Do not let food sit on cooktop for more than 1 hour before or after cooking. Doing so can result in food poisoning or sickness.
- **WARNING:** Never cover the top of burner grates with any kind of cover. Use only cooking utensils with recommended diameters. Otherwise fire hazard and carbon monoxide poisoning can occur.
- An air curtain or other overhead cooktop hood, which operates by blowing a downward airflow onto this cooktop, shall not be used in

conjunction with this gas cooktop.

- Do not heat closed food containers and glass jars. Pressure that may build-up in the jar can cause it to burst.
- Never leave the cooktop unattended when in use. Boilovers cause smoking and greasy spillovers may ignite.
- **WARNING:** Make sure that burner grates are always centered on top of burners, as seen in the figure below. Misplacing of burner grates may cause carbon monoxide poisoning and death. Always control burner grates position before use. Do not use a grate if the rubber feet are missing or damaged.



- Keep appliance area clear and free from combustible materials, gasoline, and other flammable vapors.
- Do not store or use flammable materials near the cooktop, including paper, plastic, pot holders, linens, wall coverings, cur-

tains, drapes and gasoline or other flammable vapors and liquids.

- Do not let cooking grease or other flammable materials accumulate in or near the cooktop. Grease on the cooktop may ignite.
- **Do not use water on grease fires.** Smother fire or flame or use dry chemical or foam type extinguisher.
- Do not allow aluminum foil, plastic, paper or cloth to come in contact with a hot surface. Do not allow pans to boil dry.
- Do not leave empty pots or pans on burners that are switched on. They might get damaged.
- Since it may be hot, do not leave plastic or aluminum dishes on the surface of appliance. These kind of dishes should not be used to keep food either.
- Use only dry pot holders-moist or damp pot holders on hot surfaces may result in burns from steam. Do not let pot holders touch surface burners or burner grate. Do not use a towel or other bulky cloth in place of pot holders.
- Bottom surface of the cooktop gets hot when it is in use. Electric connection should not touch

the bottom surface, otherwise the main cable may get damaged. Do not trap the main cable between the bottom surface and kitchen furniture. Do not route the main cable over the hot cooking section. Otherwise, cable insulation may melt and cause fire as a result of short circuit.

- If the cooktop is near a window, forced air vent or fan, be certain that flammable materials such as window coverings do not blow over or near the burners. They could catch on fire.
- Surface units may be hot even though they are dark in color. Areas near surface units may become hot enough to cause burns. During and after use, do not touch or let clothing or other flammable materials contact surface units until they have had sufficient time to cool. Among these areas are (identification of areas) for example, the cooktop and surfaces facing the cooktop.
- Never wear loose-fitting or hanging garments while using the appliance. Be careful when reaching for items stored in cabinets over the cooktop. Flammable material could be ignited if brought in contact with hot sur-

faces or burner and may cause severe burns.

- Do not use the cooktop to dry newspapers. If overheated, they can catch on fire.
- Check that all controls on the appliance are switched off after use.
- The manufacturer declines all liability for injury to persons or damage to property caused by incorrect or improper use of the appliance.
- **IMPORTANT:** Call the authorized service for installation of the appliance to be used. After this procedure, guarantee period will be started.
- Call service for obtaining replacement parts. Contact information can be found at the last page of the user manual.



Safety for children

- Accessible parts may be hot when the cooktop is in use. Young children should be kept away.
- Do not leave children alone or unattended in a area where an appliance is in use. They should never be allowed to climb, sit or stand on any part of the appliance.
- **WARNING:** Do not store items of interest to children in the cabinets above the cooktop. Children

climbing on the cooktop to reach items could be seriously injured.

- The packaging materials will be dangerous for children. Keep the packaging materials away from children. Please dispose of all parts of the packaging according to environmental standards.

Safety when working with electricity

-  **WARNING:** Before installing, turn power OFF at the service panel. Lock service panel to prevent power from being turned ON accidentally.
-  **WARNING:** Personal injury or death from electrical shock may occur if the cooktop is not installed by a qualified installer or electrician.
- Any additions, changes or conversions required in order for this appliance to satisfactorily meet the application needs must be made by a qualified technician.
- In case of any damage, switch off the appliance and disconnect it from the main supply by removing the fuse or switching off the circuit breaker.
- Ensure that the fuse rating is correct.
- Do not operate the appliance barefooted.

- Never touch the appliance with wet hands or feet.

Safety when working with gas

- **WARNING:** To reduce the risk of personal injury in the event of a grease fire, do the following:
 1. First be sure that gas shut off valve and all burner controls are in the OFF position before beginning.
 2. Smother flames with a close-fitting lid, cookie sheet, or metal tray, then turn off the burner.
 3. If the flames do not go out immediately, evacuate and call the fire department.
 4. Never pick up a flaming pan.
 5. Do not use water, including wet rags or towels. A violent steam explosion could occur.

You can only use a fire extinguisher for grease fires in the following situations:

- 1) You have a CLASS ABC extinguisher and you already know how to operate it.
 - 2) The fire is small and contained in the area where it started.
 - 3) The fire department is being called.
 - 4) The fire does not obstruct your escape route.
- Any works on gas equipment and systems may only be carried out by authorized and qualified persons.

- "Prior to the installation, ensure that the local distribution conditions (nature of the gas and gas pressure) and the adjustment of the appliance are compatible."
- "This appliance is not connected to a combustion products evacuation device. It shall be installed and connected in accordance with current installation regulations. Particular attention shall be given to the relevant requirements regarding ventilation;" See Before installation.
- **"CAUTION:** "The use of gas cooking appliance results in the production of heat and moisture in the room in which it is installed. Ensure that the kitchen is well ventilated: keep natural ventilation holes open or install a mechanical ventilation device (mechanical extractor hood). Prolonged intensive use of the appliance may call for additional ventilation, for example increasing the level of the mechanical ventilation where present."
- Gas appliances and systems must be regularly checked for proper functioning. Please arrange for annual maintenance.
- Clean the gas burners regularly. The flames should be blue and burn evenly.
- Good combustion is required in gas appliances. In case of incomplete combustion, carbon monoxide (CO) might develop. Carbon monoxide is a colorless, odorless and very toxic gas, which has a lethal effect even in very small doses.
- Request information about gas emergency telephone numbers and safety measures in case of gas smell from your local gas provider.
- The appliance and its individual shut-off valve must be disconnected from the gas supply piping system during any pressure testing of that system at test pressures in excess of 1/2 psi (3.5 kPa).
- The appliance must be isolated from the gas supply piping system by closing its individual manual shutoff valve during any pressure testing of the gas supply piping system at test pressures equal to or less than 1/2 psi (3.5 kPa).
- Hob burners will not automatically re-ignite in the event of power failure and unignited gas will still be expelled from the burners. Switch off burners immediately whenever a power failure occurs.

- If a burner goes out and gas escapes, open windows and doors. Wait until gas dissipates before using the appliance.
- A manual valve shall be installed in an accessible location in the gas piping external to the appliance for the purpose of turning on or shutting off gas to the appliance.

What to do when you smell gas

- Do not use open flame or do not smoke. Do not operate any electrical buttons (e.g. lamp button, door bell and etc.) Do not use fixed or mobile phones. Risk of explosion and toxication!
- Open doors and windows.
- Turn off all valves on gas appliances and gas meter at the main control valve, unless it's in a confined space or cellar.
- Check all tubes and connections for tightness. If you still smell gas leave the property.
- Warn the neighbours.
- Call the fire-brigade. Use a telephone outside the house.
- Do not re-enter the property until you are told it is safe to do so.

Intended use



WARNING: NEVER use this appliance as a space heater to heat or warm a room. Doing so may result in carbon monoxide poisoning and overheating the oven.

- Use this appliance only for its intended use as described in this manual. Never use the appliance for storage.
- All openings in the wall behind the appliance and in the floor under the appliance shall be sealed.
- This appliance is not intended to use at mobile homes, recreational vehicles.
- Do not obstruct the flow of ventilation air.
- The manufacturer shall not be held liable for any damage caused by improper use or handling errors.

Disposal

Packaging material



DANGER:
Risk of suffocation by the packaging materials!

Packing elements (i.e. plastic bags, polystyrene foam, nails, packing straps, etc.) should not be left around within easy reach of children, as these may cause serious injuries.

The packaging material and transport locks are made from materials that are not harmful to the environment. Please dispose of all parts of the packaging according to environmental standards. This is beneficial to the environment.

**CAUTION:**

If product will be given to someone for personal use or given to someone for second hand use, User manual, product labels, other related documents, mounting parts etc. should be given with product.

Future transportation

Do not carry out cleaning or maintenance operations on the appliance without having previously disconnected it from the electric power supply.

**NOTICE:**

Do not place other items on the top of the appliance. The appliance must be transported upright.

Store the appliance's original box and transport the appliance in its original carton. Follow the guidance marks that are printed on the carton.

**IMPORTANT:**

Verify the general appearance of your equipment by identifying possible damage during the transportation.

If you do not have the original carton

Pack the appliance in bubble wrap or thick cardboard and tape it securely in order to prevent damage during transportation.

2 Preparation

Tips for saving energy

The following information will help you to use your appliance in an ecological way, and to save energy:

- While cooking your dishes, perform a pre-heating operation if it is advised in the user manual or cooking instructions.
- Defrost frozen dishes before cooking them.
- Use pots/pans with cover for cooking. If there is no cover, energy consumption may increase 4 times.
- Select the burner which is suitable for the bottom size of the pot to be used. Always select the correct pot size for your dishes. Larger pots require more energy.

Initial use

First cleaning of the appliance



The surface might get damaged by some detergents or cleaning materials. Do not use aggressive detergents, cleaning powders/creams or any sharp objects during cleaning. Do not use harsh abrasive cleaners or sharp metal scrapers to clean the oven door glass since they can scratch the surface, which may result in shattering of the glass.

1. Remove all packaging materials.
2. Wipe the surfaces of the appliance with a damp cloth or sponge and dry with a cloth.

Initial heating



IMPORTANT:

Smoke and smell may emit for a couple of hours during the initial operation. This is quite normal. Ensure that the room is well ventilated to remove the smoke and smell. Avoid directly inhaling the smoke and the smell that emits.

Heat up the product for about 30 minutes and then switch it off. Thus, any production residues or layers will be burnt off and removed.





WARNING


Hot surfaces cause burns!
Product may be hot when it is in use. Never touch the hot burners, inner sections of the oven, heaters and etc. Keep children away.

3 How to use the hob

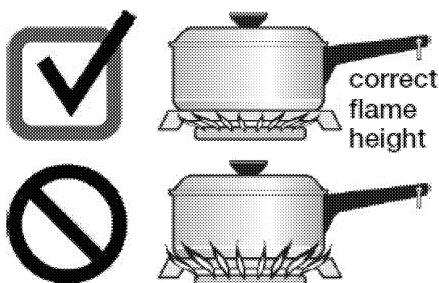
General information about cooking

 **WARNING**
Never fill the pan with oil more than one third of it. Do not leave the hob unattended when heating oil. Overheated oils bring risk of fire. **Never attempt to extinguish a possible fire with water!** When oil catches fire, cover it with a fire blanket. Turn off the hob if it is safe to do so and call the fire department.

 **CAUTION**
Never extend the flame beyond the outer edge of the cooking utensil. A higher flame wastes energy, and increases your risk of being burned by the flame

 **WARNING:**
For your safety, top burner flame size must be adjusted so that it does not extend beyond the edge of the cooking utensil. Failure to do so can cause fire hazard.

- Watch the flame, not the knob, as you adjust heat. When rapid heating is desired, the flame size should match the size of the cookware you are using. Flames larger than the bottom of the cookware will not heat faster and may be hazardous.



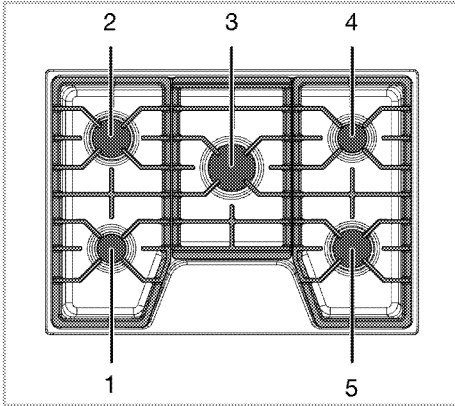
- Before frying foods, always dry them well and gently place into the hot oil. Ensure complete thawing of frozen foods before frying.
- Do not cover the vessel you use when heating oil.
- Place the pans and saucepans in a manner so that their handles are not over adjacent work areas, burners, or the edge of the cooktop to prevent heating of the handles,

risk of fires, spills and burns. Do not place unbalanced and easily tilting vessels on the hob.

- Hold the handle of the pan when stirring or turning food. This helps prevent spills and movement of the pan.
- Do not place empty vessels and saucepans on cooking zones that are switched on. They might get damaged.
- Operating a cooking zone without a vessel or saucepan on it will cause damage to the product. Turn off the cooking zones after the cooking is complete.
- As the surface of the product can be hot, do not put plastic and aluminum vessels on it. Such vessels should not be used to keep foods either.
- Use only certain types of glass, heatproof glass, ceramic, earthenware, or other glazed utensils that are suitable for cooktop use.
- Use flat bottomed saucepans or vessels only.
- Put appropriate amount of food in saucepans and pans. Thus, you will not have to make any unnecessary cleaning by preventing the dishes from overflowing.
- Do not put covers of saucepans or pans on cooking zones.
- Place the saucepans in a manner so that they are centered on the cooking zone. When you want to move the saucepan onto another cooking zone, lift and place it onto the cooking zone you want instead of sliding it.
- When disabling gas lockout (some models), make sure the surface controls are set to the OFF position. This will prevent unintended gas flow from the burners.
- Do not use aluminum foil to cover the grates or line any part of the cooktop. Doing so may result in carbon monoxide poisoning, overheating of the cooktop surfaces, or a potential fire hazard.
- Size of the vessel and the flame must match each other. Adjust the gas flames so that

they will not extend the bottom of the vessel and center the vessel on grate.

Using the hobs



- 1 Auxiliary burner 18-20 cm (7-7.8 inches)
 - 2 Normal burner 23-25 cm (9-10 inches)
 - 3 Rapid burner 30-33 cm (12-13 inches)
 - 4 Auxiliary burner 18-20 cm (7-7.8 inches)
 - 5 Normal burner 23-25 cm (9-10 inches)
- is list of advised diameter of pots to be used on related burners.



The suggested diameter of pots is given separate use of burner. All burners cannot be used with maximum pot diameters at the same time.

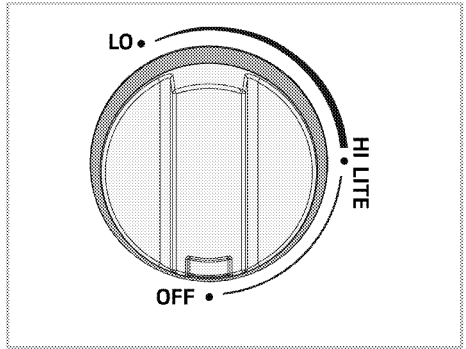


DANGER:
Do not use cooking pans beyond the dimension limits given above. Using larger pans causes risk of carbon monoxide poisoning, overheating of adjacent surfaces and control knobs. Using smaller pans causes your risk of being burned by the flame.

Igniting the gas burners

Make sure all burners are in their correct locations and fully assembled before attempting to operate any burner.

Gas burners are controlled with gas hob knobs. "HI" symbol indicates the highest cooking power and "LO" symbol corresponds to the lowest cooking power. In "OFF" position, gas is not supplied to the burners.



1. Keep burner knob pressed.
2. Turn it counter clockwise to level "LITE". Gas is ignited with the spark created.
3. Adjust it to the desired cooking power.

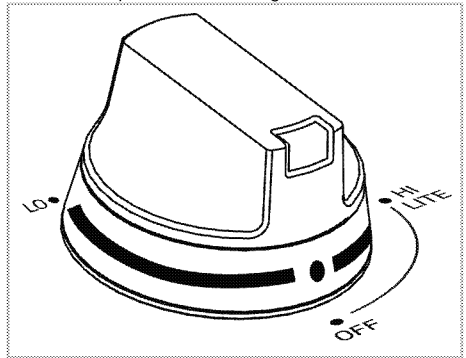


DANGER:

All igniters spark when any single burner is turned on. Do not touch any of the burners when the cooktop is in use.

Turning off the gas burners

Turn the gas hob knobs to "OFF" position. When the knobs are in OFF position, dots are visible on top of OFF marking.




DANGER:

If the burner is not ignited within 15 seconds, turn the burner control knob to OFF position. Make sure all burners are in their correct position, control all gas piping against gas leakage and make sure gas supply is not turned off.
Wait at least 1 minute and room is well ventilated before trying for ignition again. There is the risk of gas accumulation and explosion!

Illuminated gas hob knobs

The gas hob knobs are equipped with illumination. When the knob is turned on, the related knob is illuminated. By the help of this function, it can be realized easily from afar which burners are activated.

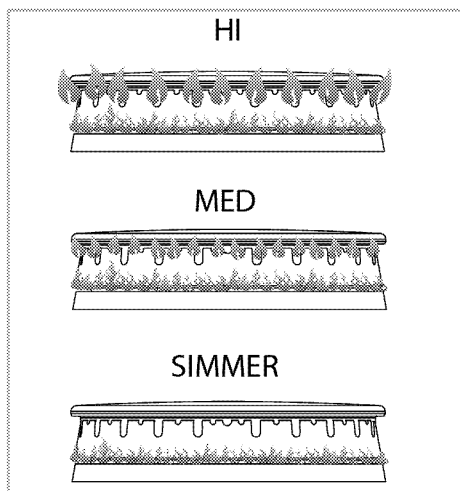
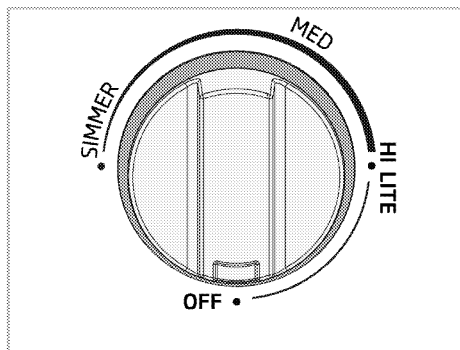


DANGER:
If electricity is cut off, the illumination function will be deactivated. Make sure all gas burners are closed when electricity cut off.

Multi-Ring Burners (some models)

For large cookware, activate both rings by setting the burner between HI and MED.

For small cookware or low heating applications, only activate the bootm ring by setting the burner between LO and SIMMER



Flame characteristics

The burner flame should be soft blue in color and stable with no yellow tips, excessive noise or fluttering. It should burn completely around the burner cap.

Yellow Flames:

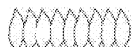
Further adjustment is required

Yellow Tips on Outer Cones:

Normal for LP Gas.

Soft Blue Flames:

Normal for Natural Gas.




If the flame is completely or mostly yellow, verify that the regulator is set for the correct gas type and correct injectors are used on the burners. After adjustment, retest.

Some yellow streaking is normal during the initial use. Allow unit to operate 10-15 minutes and re-evaluate before making adjustments.

Foreign particles in the gas line may cause an orange flame during initial use. This should disappear with use. Check burner to make sure port holes are not obstructed and not clogged.

Call service if;

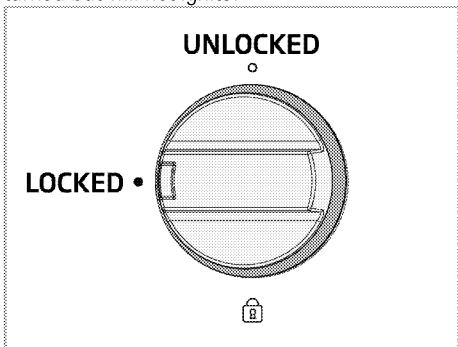
1. Any of the burners do not light.
2. Any of the burners continue to burn yellow.



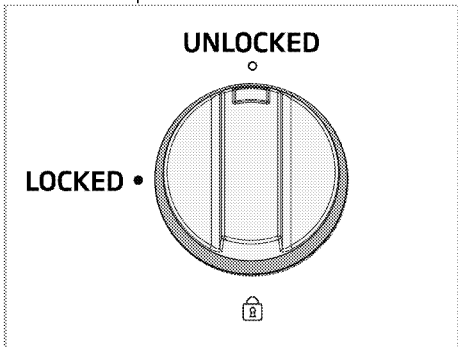
WARNING: This product can expose you to chemicals including Nickel (Metallic) which is known to the State of California to cause cancer. For more information go to www.P65Warnings.ca.gov
Note: Nickel is a component in all stainless steel and some other metal components.

Child Lock

The Child lock prevents unwanted use of cooktop. When the child lock knob turned counter clockwise to "LOCKED" position, gas flow the burners is cut. Burners will spark, if a knob is turned but will not ignite.



To unlock, turn the child lock knob clockwise to "UNLOCKED" position.



4 Maintenance and care

General information

Service life of the product will extend and the possibility of problems will decrease if the product is cleaned at regular intervals.



DANGER:

Disconnect the product from main supply before starting maintenance and cleaning works.

There is the risk of electric shock!



DANGER:

Allow the product to cool down before you clean it.

Hot surfaces may cause burns!

- Keep the appliance area clear and free from combustible materials, gasoline and other flammable vapors and liquids.
- Do not obstruct the flow of combustion and ventilation air.
- Check the burner flames regularly according to **"Flame characteristics"** section in user manual. If flame characteristics is not suitable, clean the burners as described in **"Cleaning the burner/plate"** section.
- Clean the product thoroughly after each use. In this way it will be possible to remove cooking residues more easily, thus avoiding these from burning the next time the appliance is used.
- No special cleaning agents are required for cleaning the product. Use warm water with washing liquid, a soft cloth or sponge to clean the product and wipe it with a dry cloth.
- Always ensure any excess liquid is thoroughly wiped off after cleaning and any spillage is immediately wiped dry.
- Do not use cleaning agents that contain acid or chloride to clean the stainless or inox surfaces. Use a soft cloth with a liquid detergent (not abrasive) to wipe those parts clean, paying attention to sweep in one direction.



The surface might get damaged by some detergents or cleaning materials.

Do not use aggressive detergents, cleaning powders/creams or any sharp objects during cleaning.



Do not use steam cleaners to clean the appliance as this may cause an electric shock.

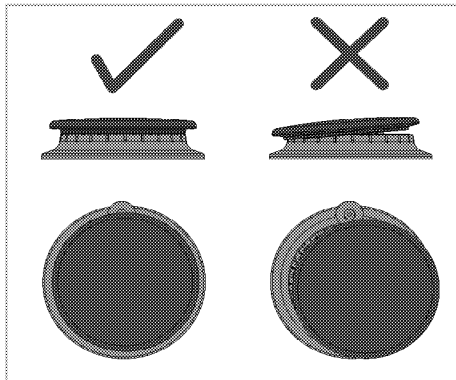
Cleaning the burner/plate

Gas hobs

1. Remove and clean the burner grates and burner caps and clean them.
2. Clean the hob.
3. Refit the burner caps and make sure that they are seated correctly.
4. When installing the pan supports, pay attention to place the burner grates so that the burners are centered.

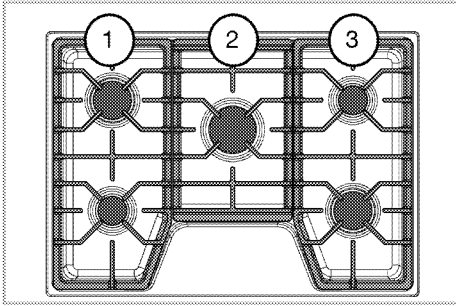
Burner caps

After cleaning make sure the burner caps are placed properly. See below figure.



Grates

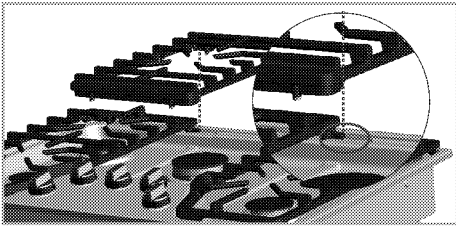
The cooktop has three different grates. These grates have specific position from each other. For maximum stability, these grates should only be used in their proper position. Because of the varied burner sizes, the side grates cannot be exchanged nor can any of the grates be rotated front to back.



Grates should be cleaned regularly and, of course, after spills. Wash them in hot, soapy water and rinse with clean water.

After cleaning make sure the burner grates are placed properly.

It is important that the position of the middle grates. The grates has a slit that positioned over the assemble guide on other grates and burner plate.



Cleaning the control panel

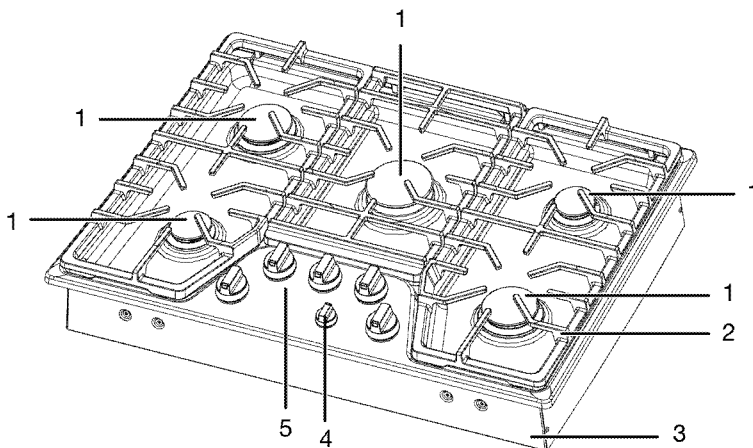
Clean the control panel and knobs with a damp cloth and wipe them dry.



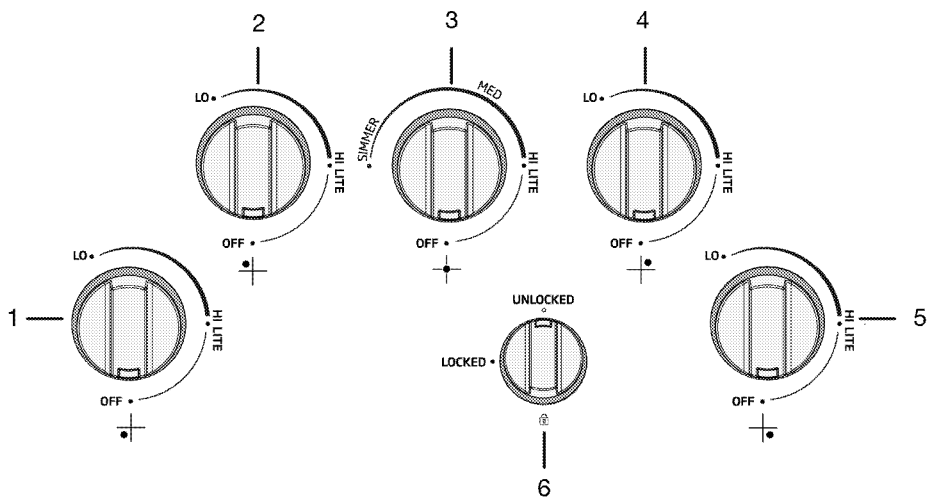
Do not remove the control buttons/knobs to clean the control panel.
Control panel may get damaged!

5 General information

Overview



- | | | | |
|---|------------|---|-----------------|
| 1 | Burners | 4 | Child lock knob |
| 2 | Grates | 5 | Control panel |
| 3 | Base cover | | |



- | | | | |
|---|-----------------------------|---|-----------------------------|
| 1 | Auxiliary burner Front left | 4 | Auxiliary burner Rear right |
| 2 | Normal burner Rear left | 5 | Normal burner Front right |
| 3 | Rapid burner Middle | 6 | Child lock knob |

Technical specifications

Voltage / frequency	110-120V ~ 60 Hz
Total gas consumption	47000 BTU/h / 41600 BTU/h
Cable type / section/length	DTR 4x10 AWG / max. 6 ft
Fuse protection	Min. 15 A
Gas type / pressure	Natural Gas NAT 5"/ LP Gas 10"
External dimensions (height / width / depth)	3" 13/16 (97mm) /36" (914 mm) /21" 1/4 (540 mm)
Installation dimensions (width / depth)	33" 7/8 (860 mm) /19" 5/16 (490 mm)
Burners	
Front left	Auxiliary burner
Power	4500 BTU/h / 3800 BTU/h
Rear left	Normal burner
Power	9000 BTU/h / 8500 BTU/h
Middle	Rapid burner
Power	18000 BTU/h / 17000 BTU/h
Rear right	Auxiliary burner
Power	4500 BTU/h / 3800 BTU/h
Front right	Normal burner
Power	11000 BTU/h / 8500 BTU/h

This appliance can be used with LP gas and Natural gas. It is shipped from the factory adjusted for use with 5" w.c natural gas. Conversion orifices are located in conversion kit. Follow the instructions packaged with the orifices for gas conversion.



Technical specifications may be changed without prior notice to improve the quality of the product.



Figures in this manual are schematic and may not exactly match your product.



Values stated on the product labels or in the documentation accompanying it are obtained in laboratory conditions in accordance with relevant standards. Depending on operational and environmental conditions of the product, these values may vary.

Injector table



WARNING:

This product can be converted to LP Gas. Gas conversion must always be performed by Authorized Service Agents.

According to the gas type that will be used, the correct injector type must be used. Please refer to the LPG/NG table below.

Position hob zone	Front left	Front right	Middle		Rear right	Rear left
			Simmer	Main		
Gas type / Gas pressure						
Natural Gas 5"	1.05 mm	1.57 mm	0.72 mm	1.90 mm	1.05 mm	1.44 mm

Position hob zone	Front left	Front right	Middle		Rear right	Rear left
			Simmer	Main		
Gas type / Gas pressure						
LP Gas 10"	0.65 mm	0.92 mm	0.51 mm	1.14 mm	0.65 mm	0.92 mm

6 Troubleshooting

Burner have yellow or yellow-tipped flames.

- The combustion quality of burner flames needs to be determined visually >>> *Verify that the regulator is set for the correct gas type and correct injectors are used on the burners. After adjustment, retest.*

Control knobs will not turn.

- Knob is not pushed down. >>> *To turn from the **OFF** position, push the knob down and then turn.*

Burner flames are very large or have yellow.

- Improper air to gas ratio >>> *If cooktop is connected to LP gas, contact the person who installed your cooktop or made the conversion.*

Burners do not light

- Plug on cooktop is not completely inserted in the electrical outlet. >>> *Make sure electrical plug is plugged into a live, properly grounded outlet.*
- Gas supply not connected or turned on. >>> *See the Installation Manual that came with your cooktop.*
- Burner part not replaced correctly. >>> *Make sure the burner caps are placed properly.*

Burners are not burning properly or at all.

- Burners are dirty. >>> *Clean burner components.*
- Burners are wet. >>> *Dry the burner components.*
- Burner cap is not mounted safely. >>> *Mount the burner cap properly.*
- Gas valve is closed. >>> *Open gas valve.*



Consult the Authorised Service Agent or technician with licence or the dealer where you have purchased the product if you can not remedy the trouble although you have implemented the instructions in this section. Never attempt to repair a defective product yourself.

7 BEKO US RESIDENTIAL PRODUCT WARRANTY

If You Need Warranty Service (or You Have Questions About Service, Documentation, Parts or Tools):

- If in the United States, **please call 888-256-2356**.
- If in Canada, **please call 1-855-643-2356**.
- Please have the following information with you when you call: Model number, serial number, proof of purchase (including dealer/retailer name and address), and description of the issue you are experiencing.

Scope of the Limited Warranty:

This Limited Warranty applies to a major Beko appliance that is:

- Purchased from an authorized Beko dealer in new condition (not a display, "as is", or previously returned model)
- Purchased within the United States or Canada (and remain in the country in which it was originally purchased)
- Only used for residential (home), non-commercial purposes, and always has in fact only been used for residential (home), non-commercial purposes
- Installed, operated, and maintained in accordance with the accompanying User and/or Installation Manual
- Owned by the original purchaser or a succeeding homeowner (other than to the extent required by applicable law)

www.bekoappliances.com to locate and get information for the closest authorized Beko service center.

What Is Covered by this Limited Warranty:

Product	Warranty Period	What Beko Warrants:
Beko Major Appliances	Two Years* from the date of original purchase	Subject to the terms of this Limited Warranty, Beko will provide at no cost authorized replacement parts and repair labor to correct defects in materials or workmanship that existed when the product was purchased, or at its sole discretion replace the product. In the event of product replacement, your product will be warranted for the remaining term of the original unit's warranty period. *All cosmetic damages to the product caused by defects in materials or workmanship, however, must be reported to Beko within ten days from the date of purchase (excludes any display, floor, "As Is", or "B" stock appliances).

Beko Refrigerators	<p>Five years</p> <p>from the date of original purchase</p> <p>WARRANTY COVERS PARTS ONLY</p>	<p>Subject to the terms of this Limited Warranty, Beko will provide at no charge authorized replacement parts for the sealed refrigerating system (the compressor, condenser, evaporator and connecting tubing), which fail due to any defects in materials or workmanship that existed when the product was purchased, or at its sole discretion replace the product. In the event of product replacement, your product will be warranted for the remaining term of the original unit's warranty period.</p>
Beko Dishwashers, Washing Machines, & Clothes Dryers	<p>Ten Years</p> <p>from the date of original purchase</p> <p>WARRANTY COVERS PARTS ONLY</p>	<p>Subject to the terms of this Limited Warranty, Beko will provide at no charge a replacement ProSmart Inverter Motor if the original fails due to any defects in materials or workmanship that existed when the product was purchased, or at its sole discretion replace the product. In the event of product replacement, your product will be warranted for the remaining term of the original unit's warranty period.</p>

What is NOT Covered by this Warranty:

- Services trips to your home to provide instructions on how to use the product, consumable parts, or conversion from natural gas to L.P. gas.
- Service to correct improper product maintenance or installation; installation not in accordance with electrical, plumbing, fire or building codes, regulations or other laws; or correction of household electrical or plumbing.
- Repairs to parts or systems to correct product damage or defects caused by any non-authorized service provider, caused by alteration or modification of the appliance, or caused by use of non-genuine Beko parts. Necessary maintenance or repairs can be performed by any company. But, as set forth above, damage caused by you or any non-authorized third party may void this warranty.
- Damage from accident, misuse, abuse, fire, floods, acts of God or use with products not approved by Beko.
- Food spoilation or loss of medicine due to product failure.
- Removal or reinstallation of inaccessible products or built-in fixtures (i.e. trim, decorative panels, flooring, cabinetry, islands, countertops, drywall, etc.) that interfere with servicing, removal or replacement of the product.
- Discoloration, rust or oxidation of surfaces resulting from caustic or corrosive environments including but not limited to high salt concentrations, high moisture or humidity or exposure to chemicals.
- Travel or transportation expense for service in remote locations where an authorized servicer is not available or for service in a reasonably inaccessible, treacherous, or hazardous location.

The cost of repair or replacement under these excluded circumstances shall be borne by you.

Disclaimer of Implied Warranties:

Not applicable to Québec consumers - Beko makes no representations, warranties or conditions regarding product quality except as expressly provided in this Limited Warranty. IMPLIED WARRANTIES OR CONDITIONS, INCLUDING ANY IMPLIED WARRANTY OF MERCHANTABILITY OR IMPLIED WARRANTY OF FITNESS FOR A PARTICULAR PURPOSE, ARE LIMITED TO THE EXPRESS PERIOD THIS LIMITED WARRANTY IS EFFECTIVE OR THE SHORTEST PERIOD ALLOWED BY LAW. Some states and provinces do not allow limitations on the duration of implied warranties of merchantability or fitness, so this limitation may not apply to you. This warranty gives you specific legal rights, and you also may have other rights that vary from state to state or province to province.

Exclusive Remedy & Limitation of Liability:

YOUR SOLE AND EXCLUSIVE REMEDY UNDER THIS LIMITED WARRANTY SHALL BE PRODUCT REPAIR AS PROVIDED HEREIN. Not applicable to Québec consumers - TO THE EXTENT PERMITTED BY LAW, BEKO SHALL NOT BE LIABLE FOR INCIDENTAL, CONSEQUENTIAL, SPECIAL, INDIRECT OR PUNITIVE DAMAGES. Some states and provinces do not allow the exclusion or limitation of incidental or consequential damages, so these limitations and exclusions may not apply to you. This warranty gives you specific legal rights, and you also may have other rights that vary from state to state or province to province.

Warrantor:

In the United States: Beko US Inc., 333 Gibraltar Drive, Bolingbrook, IL 60440

In Canada: Beko Canada Inc., 222 Bay St. Suite 3000, Toronto, ON M5K 1E7, Canada