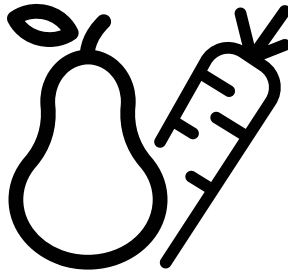
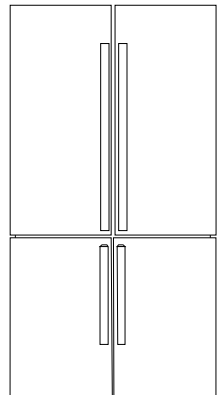




Refrigerator
User Manual
Réfrigérateur
Manuel d'utilisation
Refrigerador
Manual del usuari



BFFD3626SS



EN/FR/ES

58 0537 0000/AM-EN-FR-ES

Congratulations on the purchase of your new Beko Refrigerator! This refrigerator has been manufactured in modern facilities with the utmost care and meticulous quality controls. We are so confident in the quality of this product that we back it with a two year parts and labor warranty, and five years on the sealed system! Please read this entire user manual before using your product, to ensure you understand all of its features and benefits and know how to operate it properly. This manual should be kept in an easily accessible location and passed on to any future owners.

This guide will help you use the product quickly and safely.

Please read the user guide carefully before installing and operating the product.

- Always observe the applicable safety instructions.
- Please read any other documents provided with the product.
- Keep in mind that this user guide may apply to several product models. Please note the various symbols used throughout this manual and what they represent.

	Important information and useful tips.
	Risk of life and property.
	Risk of electric shock.
	The product's packaging is made of recyclable materials, in accordance with the National Environment Legislation.

<i>Fill this out and keep for future reference</i>	
<i>Model</i>	
<i>Serial No</i>	
<i>Date of Purchase</i>	
<i>Original Purchaser</i>	
<i>Dealer</i>	
<i>City</i>	
<i>State</i>	
<i>Zip Code</i>	
<i>Country</i>	

1 Important Instructions Regarding Safety and Environment 4

1.1 Intended use	4
1.2 General Safety	4
1.3 Hydrocarbon (HC) Warning	6
1.4 For Products with a Water Dispenser/Ice Machine	6
1.5 Intended Use	6
1.6 Children's Safety	7
1.7 Compliance with the WEEE Directive and Disposing the Waste Product:	7
1.8 Compliance with the RoHS Directive:	7
1.9 Packaging Information	7

2 Environmental instructions 8

2.1 Compliance with the WEEE Directive and Disposing of the Waste Product:	8
2.2 Compliance with RoHS Directive	8
2.3 Package information	8

3 Your Refrigerator 9

4 Installation 10

4.1 Before Installation	13
4.2 Appropriate installation location	13
4.3 Installing the plastic wedges	14
4.4 Electrical connection	14
4.5 *Adjusting the feet	14
4.6 Illumination lamp	15
4.7 Door/Drawer Open Warning	15
4.8 Water connection	15
4.9 Connecting the water hose to the refrigerator	15
4.10 Connecting the water line to the water supply	16
4.11 Installing the Internal Water Filter	16
4.12 Before using the water dispenser	16

5 Preparation 17

6 Display and operating the product 18

6.1 Indicator panel	18
6.2 U4 CONTROL BOARD FOREVER 4K DISPLAY 21 ACTIVATING OF FILTER COUNTER	21
6.3 U4 CONTROL BOARD FOREVER 4K DISPLAY 22 ACTIVATING/DEACTIVAING OF ICE-OFF FUNCTION	22
6.4 Freezing fresh food	23
6.5 Recommendations for preserving the frozen food	23
6.6 Deep-freeze information	23
6.7 Placing the food	24
6.8 Crisper bins	24
6.9 Deli Drawer	24
6.10 Humidity controlled crisper (EverFresh+)	24
6.11 Butter & Cheese section	25
6.12 Icematic	25
6.13 Movable Middle Section	25
6.14 Cool Control Storage Compartment	25
6.15 Blue light	26
6.16 Odour filter	26

7. Maintenance and cleaning 27





7.1 Avoiding bad odors	27
7.2 Protecting the plastic surfaces	27

8. Troubleshooting 28

1 Important Instructions Regarding Safety and Environment

This chapter contains safety information that will help you avoid the risk personal injury or property damage. Failure to follow these instructions shall render any product warranty void.

1.1 Intended use

	WARNING: Keep ventilation openings, in the appliance enclosure or in the built-in structure, clear of obstruction.
	WARNING: Do not use mechanical devices or other means to accelerate the defrosting process, other than those recommended by the manufacturer.
	WARNING: Do not damage the refrigerant circuit.
	WARNING: Do not use electrical appliances inside the food storage compartments of the appliance, unless they are of the type recommended by the manufacturer.

This appliance is intended to be used in household and similar applications such as

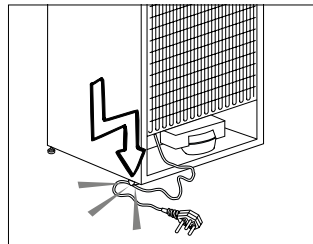
- staff kitchen areas in shops, offices and other working environments;
- farm houses and by clients in hotels, motels and other residential type environments;
- bed and breakfast type environments;
- catering and similar non-retail applications.

1.2 General Safety

- This appliance is not intended for use by persons (including children) with reduced

physical, sensory or mental capabilities, or lack of experience and knowledge, unless they have been given supervision or instruction concerning use of the appliance by a person responsible for their safety. Children should be supervised to ensure that they do not play with the appliance.

- Failure to follow the instructions and uncontrolled use of the product lead to dangerous results!
- Unplug the product if you encounter a failure during use.
- If the product malfunctions, it must not be operated until repaired by the authorised service provider. Risk of electric shock!
- Plug the product into a grounded socket protected by a fuse that corresponds to the value on its nameplate. Have a qualified electrician ground the product. Our company cannot be held responsible for damages resulting from the failure to use the product with a grounded socket pursuant to local regulations.
- Unplug the product when not in use.
- Never wash the product by spreading or pouring water onto it! Risk of electric shock!
- Never touch the plug with wet hands!
- Never unplug the product by pulling the cable. Always pull the plug by holding the socket.



- Do not plug the refrigerator if the wall socket is loose.

Important instructions for safety and environment

- Never connect your refrigerator to energy saving devices. Such systems are harmful to your product.
- Unplug the product during installation, care, cleaning and repairing procedures.
- Always have the **Authorised Service Provider** install the product and establish its electrical connections. The manufacturer cannot be held responsible for damages caused by procedures performed by unauthorised persons.
- Do not eat cone ice cream or ice cubes immediately after you take them out of the freezer compartment! This may cause frostbite in your mouth!
- Do not touch frozen food with wet hands! They may stick to your hand!
- Do not put bottled or canned liquid beverages in the freezer compartment. They may burst!
- Never use steam or steam cleaners to clean or defrost the refrigerator. Steam gets into contact with the live parts in your refrigerator, causing short circuit or electric shock!
- **WARNING:** When positioning the appliance, ensure the supply cord is not trapped or damaged. **If the supply cord is damaged, it must be replaced by the manufacturer, its service agent or similarly qualified persons in order to avoid a hazard.**
- **WARNING:** Do not locate multiple portable socket-outlets or portable power supplies at the rear of the appliance.
- Do not use mechanical devices or other means to accelerate the defrosting process other than those recommended by the manufacturer.
- Never use the parts in your refrigerator such as the door and drawer as a means of support or step. This may cause the product to tip over or damage the parts of it.
- Do not damage the parts where the refrigerant is circulating with drilling or cutting tools. The refrigerant that might blow out when the gas channels of the evaporator, pipe extensions or surface coatings are punctured causes skin irritations and eye injuries.
- Do not cover or block the ventilation holes in your refrigerator with any object.
- Place the beverage with higher proofs tightly closed and vertically.
- Do not use gaseous sprays near the product since there is the risk of fire or explosion!
- Flammable items or products that contain flammable gases (e.g. spray) as well as explosive materials should never be kept in the appliance.
- Do not place vessels filled with liquid onto the product. Splashing water on an electrical part may cause electric shock or the risk of fire.
- Do not store items that need precise temperature adjustment (such as vaccines, heat-sensitive medication, science materials etc.) in the refrigerator.
- If you are not going to use the product for a long time, unplug it and remove the food in it.
- If there is a blue light on the refrigerator, do not look at this light with optical tools.
- Exposing the product to rain, snow, sun or wind is dangerous in terms of electrical safety.
- In products with mechanical control (thermostat), wait for 5 minutes to plug in the product again after unplugging.

Important instructions for safety and environment

- Do not overload the refrigerator. Objects in the refrigerator may fall down when the door is opened, causing injury or damage. Similar problems may arise if any object is placed onto the product.
- If the product has a door handle, do not pull the handle when re-locating the product. The handle might be loose.
- Be careful not to jam your hand or any other body part in the moving parts of the refrigerator.
- Do not put your hand or any other foreign materials into the ice machine while it is operating.

1.3 Hydrocarbon (HC) Warning

- If your product's cooling system contains R600a:

This gas is flammable. Therefore, pay attention not to damage the cooling system or the piping during use and transportation. If damaged, keep the product away from potential fire sources that may cause it to catch fire and ventilate the room where the product is placed.



If the product is damaged and if you see gas leak, please keep away from the gas. It may cause frostbite when it gets into contact with the skin. (including R134)



Ignore this warning if the cooling system of your product contains R134a.



Type of gas used in the product is stated on the type plate which is on the left wall inside the refrigerator.



WARNING:

Never throw the product into fire for disposal.

1.4 For Products with a Water Dispenser/Ice Machine

- Pressure for cold water inlet shall be maximum 90 psi (620 kPa). If your water pressure exceeds 80 psi (550 kPa), use a pressure limiting valve in your mains system. If you do not know how to check your water pressure, ask for the help of a professional plumber.
- If there is a risk of water impact in your installation, always use a water impact protection equipment in that installation. Please consult professional plumbers if you are not sure if there is water impact in your installation.
- Do not make installation on the hot water inlet.
- Use drinking water only.
- Take the necessary measures against the freezing risk of the hoses. The water temperature operating range must be 0.6°C (33°F) minimum and 38°C (100°F) maximum.



WARNING:

Never connect the product to a cold water mains with a pressure of 550 kPa (80 psi) or above.

1.5 Intended Use

- This product has been designed for domestic use. It is not suitable for commercial use and it must not be used out of its intended use.
- It must be used only for storing food.
- The manufacturer will not take any responsibility for damages resulting from improper use or transport.

Important instructions for safety and environment

- Original spare parts will be available for 10 years after the purchase date of the product.

1.6 Children's Safety

- If there is a lock on the door of the product, the key should be kept out of the reach of children.
- Do not let children play with the product.

CAUTION:



To Prevent A Child From Being Entrapped, Keep Out Of Reach Of Children And Not In The Vicinity Of Freezer Or Refrigerator.

WARNING:



Before disposing your old refrigerator or freezer:

- Children may get locked inside.
- Remove the doors.
- Leave the shelves to prevent children from getting inside the product easily.

1.7 Compliance with the WEEE Directive and Disposing the Waste Product:



This product conforms to the EU WEE Directive (2012/19 EU). This product bears a classification symbol for waste electrical and electronic equipment (WEEE). This product has been manufactured from high quality parts and materials which can be

reused and are suitable for recycling. Therefore, do not dispose the product with normal domestic waste or other waste at the end of its service life. Take it to a collection centre for recycling electrical and electronic equipment. Please consult local authorities to learn about the locations of such collection centres.

1.8 Compliance with the RoHS Directive:

The unit you have purchased conforms to the EU RoHS Directive (2011/65/EU). It does not contain harmful or prohibited materials specified in the Directive.

1.9 Packaging Information

- Packaging materials of the product have been manufactured from recyclable materials in accordance with our National Environment Regulations. Do not dispose the packaging materials with normal domestic waste or other types of waste. Take these materials to a recycling point designated by local authorities.

DANGER:

Risk of Fire or Explosion:



- This product uses flammable refrigerant.
- Do not use mechanical devices to defrost the refrigerator.
- Do not use chemicals for cleaning.
- Do not pierce the refrigerant pipe.
- If the refrigerant pipe is pierced, it must be repaired only by licensed service personnel.
- Please consult the repair/user manual before cleaning the product. All safety instructions must be followed.
- Dispose the product according to federal or local regulations.

2 Environmental instructions

2.1 Compliance with the WEEE Directive and Disposing of the Waste Product:

This product complies with EU WEEE Directive (2012/19/EU). This product bears a classification symbol for waste electrical and electronic equipment (WEEE).



This symbol indicates that this product shall not be disposed with other household wastes at the end of its service life. Used device must be returned to official collection point for recycling of electrical and electronic devices.

To find these collection systems please contact to your local authorities or retailer where the product was purchased. Each household performs important role in recovering and recycling of old appliance. Appropriate disposal of used appliance helps prevent potential negative consequences for the environment and human health.

2.2 Compliance with RoHS Directive

The product you have purchased complies with EU RoHS Directive (2011/65/EU). It does not contain harmful and prohibited materials specified in the Directive.

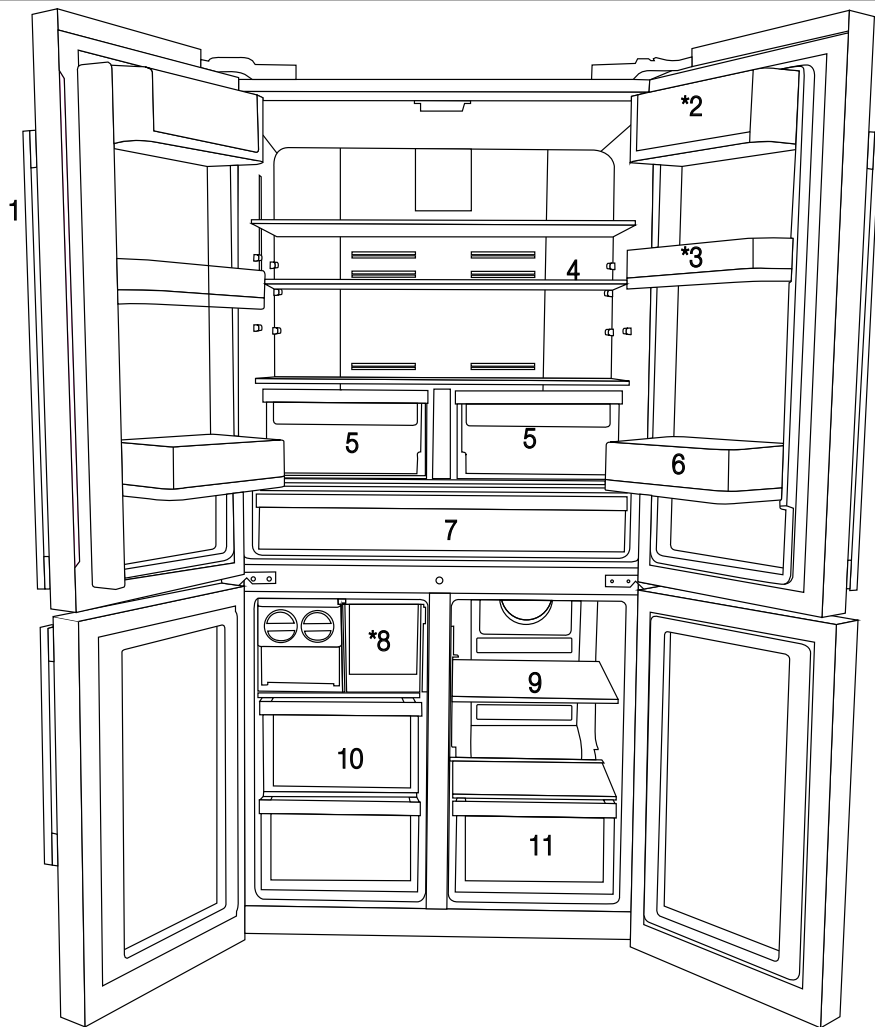
2.3 Package information



Packaging materials of the product are manufactured from recyclable materials in accordance with our National Environment Regulations. Do not

dispose of the packaging materials together with the domestic or other wastes. Take them to the packaging material collection points designated by the local authorities.

3 Your Refrigerator

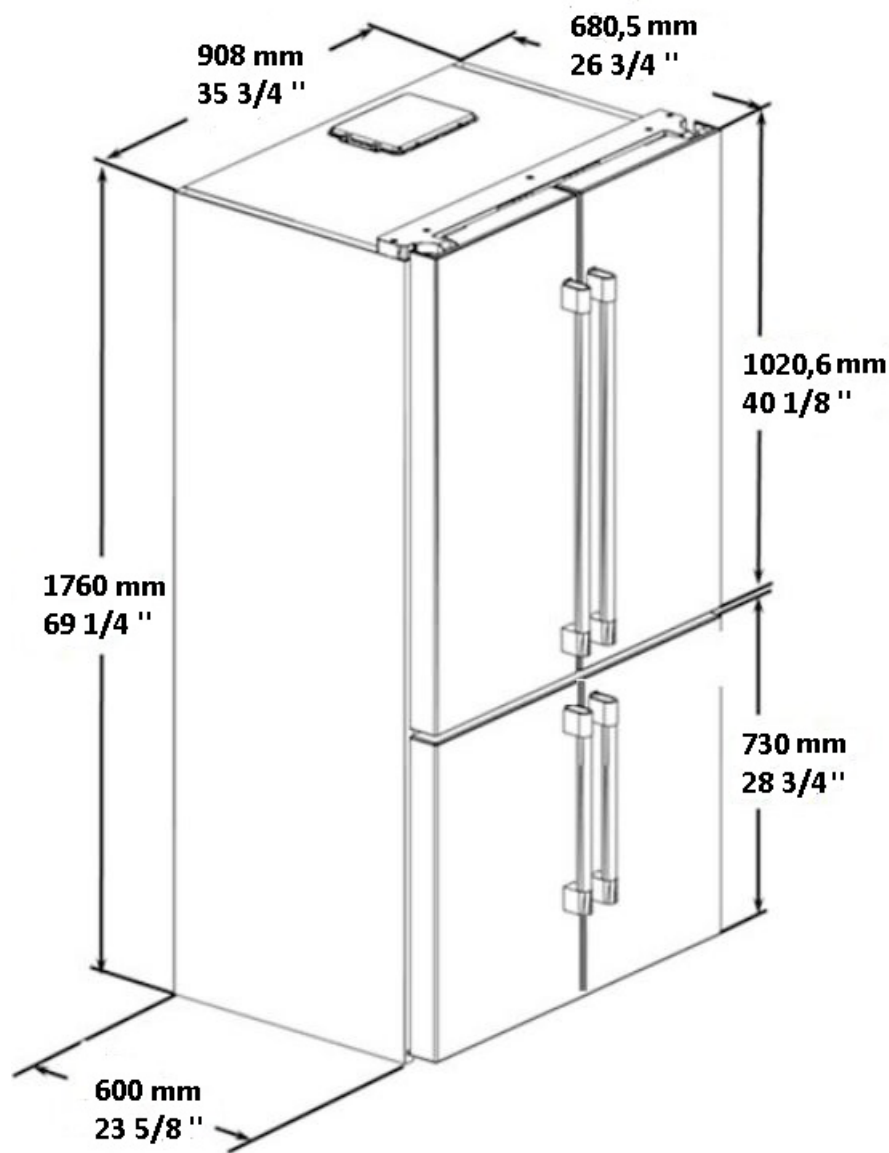


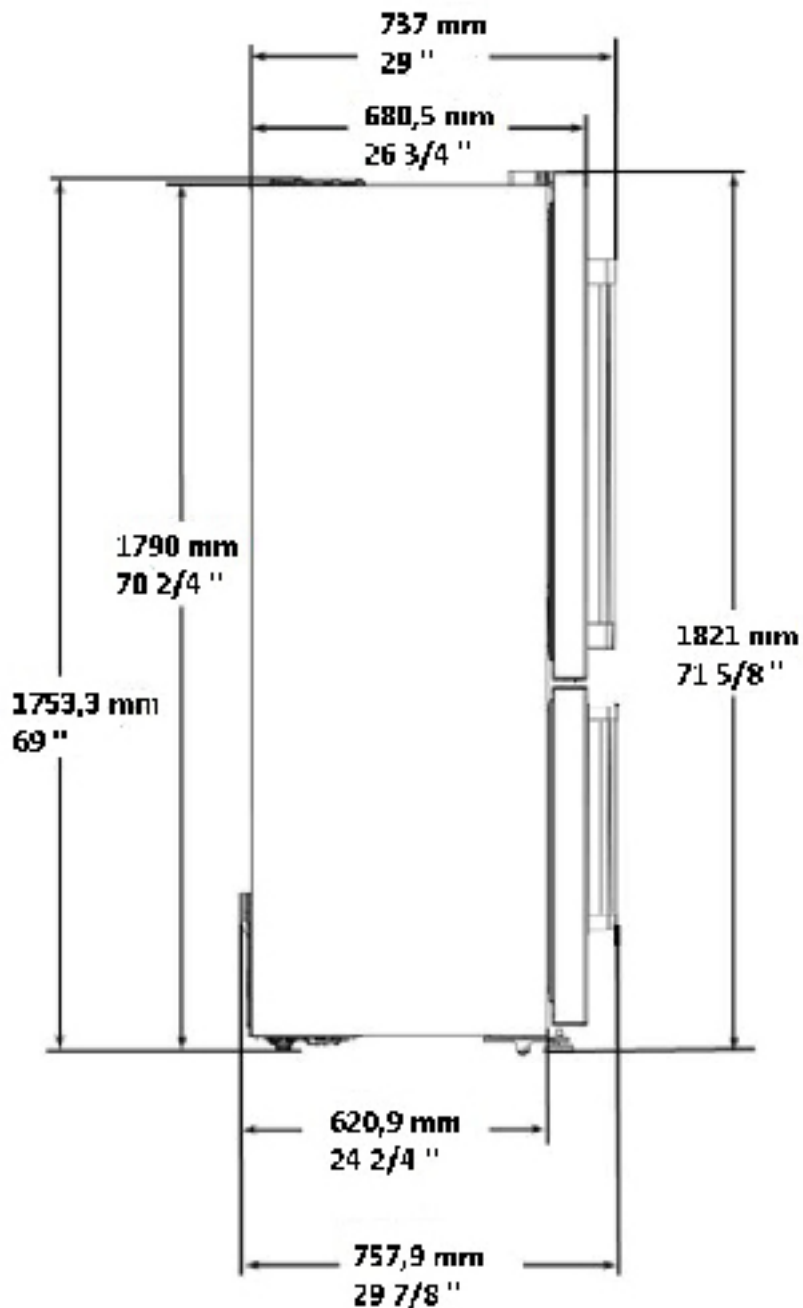
- | | |
|--|--|
| 1- Control and indicator panel | 7- Chiller compartment |
| 2- Butter & Cheese section | 8- Icebox drawer |
| 3- 70 mm moving door shelf | 9- Multizone compartment glass shelf/cooler |
| 4- Fridge compartment glass shelf | 10- Freezer compartment drawers |
| 5- Fridge compartment crisper | 11- Multizone Compartment's drawer |
| 6- Gallon door shelf | * OPTIONAL |



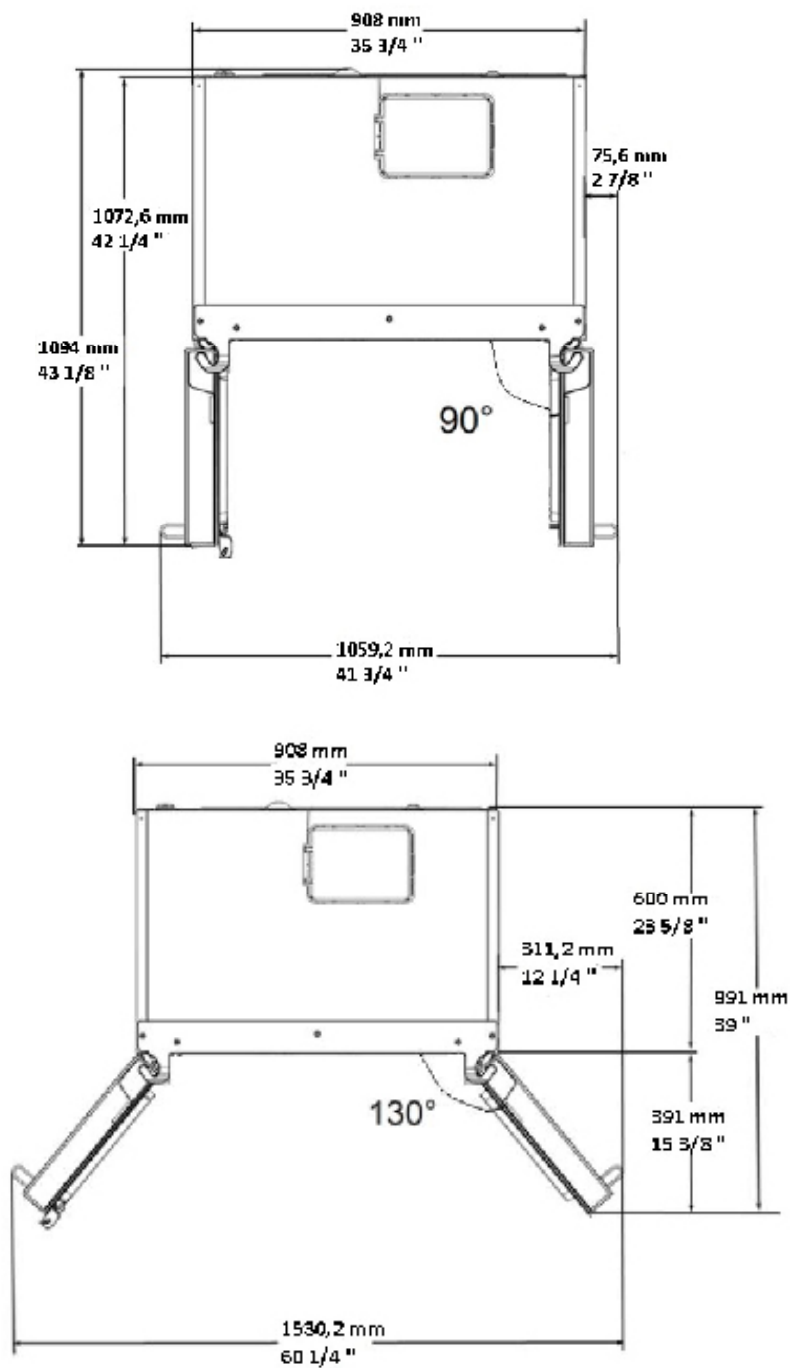
Figures in this user manual are schematic and may not match the product exactly. If the subject parts are not included in the product you have purchased, then those parts are only valid for other models.

4 Installation





Installation



Installation






4.1 Before Installation

- Before installing, be sure the opening measurements are sufficient to receive the product and that the appropriate electrical and plumbing connections are present.

Water line pressure values	psi	kPa	bar
Max Operating pressure:	90	620	6.2
Max pressure for limiting valve device requirement:	80	550	5.5

Electrical requirements	
Voltage	120V AC
Frequency	60 Hz
Current	15 A

- Refer to the nearest Authorized Service Agent for installation of the product. To make the product ready for use, make sure that the electricity installation is appropriate before calling the Authorized Service Agent. If not, call a qualified electrician to have any necessary arrangements carried out.
- Your product comes with an internal water filter. Part number of the filter is 4918450200 and you can use this part number when ordering replacement filters.

	Preparation of the location and electrical installation at the place of installation is under customer's responsibility.
	Plumbing: The refrigerator should only be connected to the cold water line.
	Product must not be plugged in during installation. Otherwise, there is the risk of death or serious injury!
	WARNING: Installation and electrical connections of the product must be carried out by the Authorized Service Agent. Manufacturer shall not be held liable for damages that may arise from procedures carried out by unauthorized persons.
	WARNING: Prior to installation, visually check if the product has any defects on it. If so, do not have it installed. Damaged products cause risks to your safety.

4.2 Appropriate installation location

- Install the product at least 12"(30 cm) away from heat sources such as cooktops, ovens, space heaters, radiators and stoves at least 2" (5 cm) away from electrical ovens. Product must not be subjected to direct sun light and kept in humid places after installation.
- Do not place the product on the materials such as rugs or carpets.
- Place the product on an even floor surface to prevent wobbling.
- Do not install the product in places where the temperature falls below 50F°/10°C.



If two refrigerators are to be installed side by side, there should be at least 1 1/2" (4 cm) distance between them.

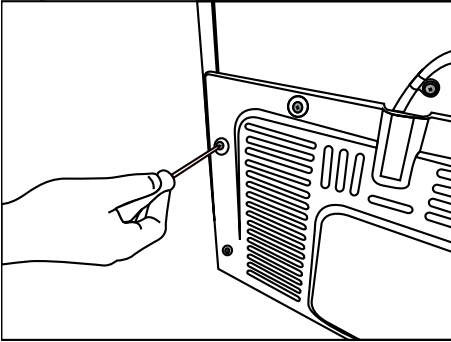
- Make sure that sufficient room is provided around the appliance to ensure free air circulation.
- For proper functionality, there should be a gap of at least 1 3/8" (35 mm) between the refrigerator and the rear wall. To ensure this, attach the gray, rectangular buffers, to be installed on the top rear of the refrigerator. These are shipped inside the crisper drawer in the Fresh Food compartment.

Installation

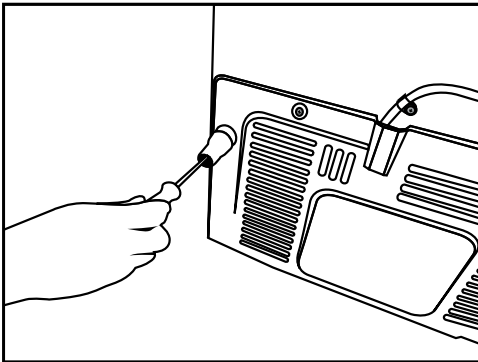
4.3 Installing the plastic wedges

Plastic wedges supplied with the product are used to create the distance for the air circulation between the product and the rear wall.

1. To install the wedges, remove the screws on the product and use the screws supplied together with the wedges.



2. Insert the 2 plastic wedges onto the rear ventilation cover as illustrated in the figure.



4.4 Electrical connection

- 120VAC, 60Hz, Dedicated 15Amp Circuit.
- GFCI outlets will provide added protection, but any failure of the GFCI could cause food spoilage, which is not covered by the manufacturer's warranty.
- Electrical connection must comply with national regulations.
- Power cable plug must be within easy reach after installation.
- Do not make connections via extension cables or multi-plugs.



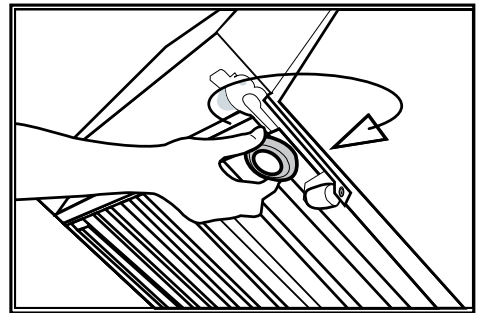
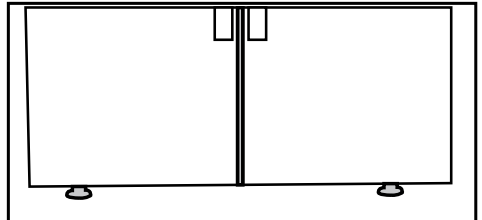
WARNING: Damaged power cable must be replaced by the Authorized Service Agents.



WARNING: If the product has a failure, it should not be operated unless it is repaired by the Authorized Service Agent! There is the risk of electric shock!

4.5 *Adjusting the feet

After moving the refrigerator into place, we recommend lowering the feet to secure the product in place. You can also adjust the feet if the product is not balanced. Twist the feet in the desired direction according to the illustration below. Adjusting the feet can also be used to align the doors.



To adjust the doors vertically,

Loosen the fixing nut located at the bottom.

Rotate the adjusting nut according to the position of the door (clockwise/counter-clockwise).

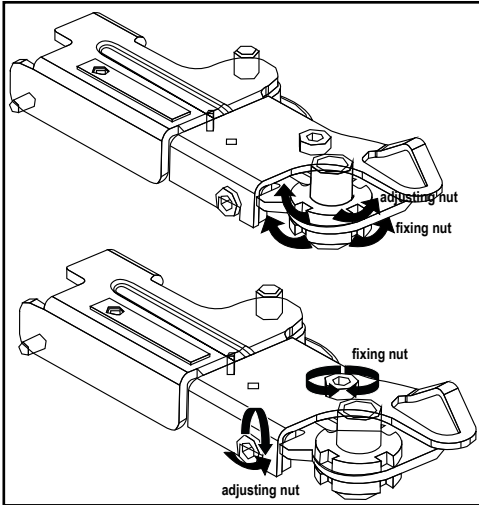
Tighten the fixing nut in order to fix the position.

To adjust the doors horizontally,

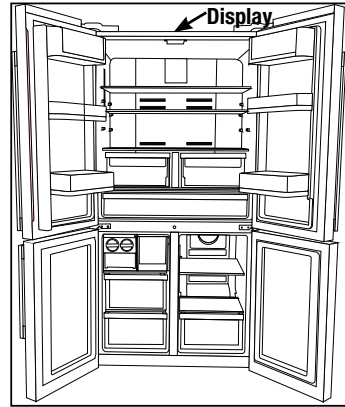
Loosen the fixing nut located at the top.

Installation

Rotate the side adjusting nut according to the position of the door (clockwise/counter-clockwise). Tighten the fixing nut which is at the top in order to fix the position.



WARNING: First unplug the product. Product must not be plugged in when adjusting the feet. There is the risk of electric shock!



4.8 Water connection

First you must connect the water hose to the refrigerator.

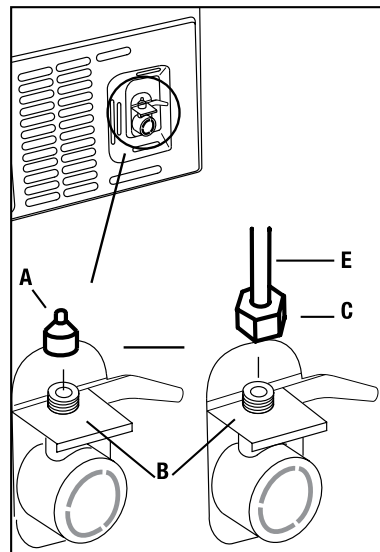


WARNING: Refrigerator and the pump, if any, must be unplugged during connection.

4.9 Connecting the water hose to the refrigerator

3. Remove the valve channel cover (A) from the water inlet valve.

4. Connect the water line (C) to the inlet valve (B) and tighten by hand to secure it. It is not necessary to use pliers, but if there is a leak, you may tighten slightly with a pair of pliers.



4.6 Illumination lamp

Do not attempt to repair yourself but call the Authorized Service Agent if the LED illumination lamps do not go on.

The lamp(s) used in this appliance is not suitable for household room illumination. The intended purpose of this lamp is to assist the user to place foodstuffs in the refrigerator/freezer in a safe and comfortable way.

4.7 Door/Drawer Open Warning

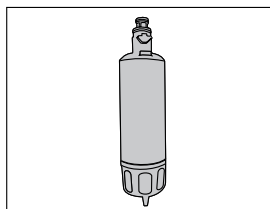
An audio warning signal will be given when the door of your product is left open for 1 minute. This warning will be muted when the door is closed or if any of the display buttons are pressed.

Installation



4.10 Connecting the water line to the water supply



Connect the water line to a water supply valve. If a valve is not present or you are not sure, consult a qualified plumber.

4.11 Installing the Internal Water Filter



Installing the internal water filter consists of two steps:

- Physically installing the filter
 - Making adjustments to the display.
1. Press and hold the Freezer Temp Set key  for 3 seconds, or until the no ice icon appears in the display.
 2. Slide the filter cover forward to open the filter compartment.
 3. Tilt the bypass plug down and pull straight out to remove it.
 4. Insert the filter into the housing and push it up to a horizontal position.
 5. Close the filter cover and push it back into place.
 6. Press and hold the Freezer Temp Set key  again for 3 seconds.
- You have successfully installed your filter.

The Filter End of Life warning  will appear in approximately 130 days, requiring you to replace the filter with the same steps as listed above. After replacing the filter, press and hold the “Alarm Off” key  for 3 seconds, or until the Filter End of Life Warning goes out in the display.

4.12 Before using the water dispenser

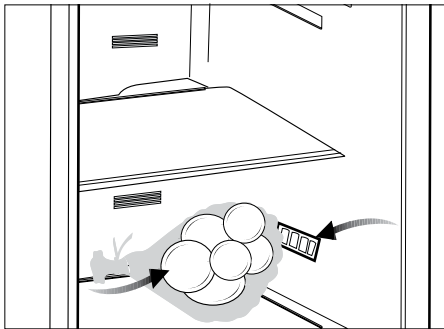
The water system connections should be made by an Authorized Service Agent, with the necessary tools.

- The water system is designed to operate only with water. Do not attempt to connect to beverages such as soft drinks or juices.
- There will be air in the water line that must be bled out of the system before the initial use. To remove the air in the line, place a container beneath the water dispenser nozzle and depress the dispenser paddle for 1-2 minutes until only water comes out.
- The first 10 glasses of water should not be consumed. It will take approximately 12 hours before the water being dispensed cools down to refrigerated temperatures.
- Wait 1 second after releasing the dispenser paddle before removing your container, as this will reduce the potential for dripping into the dispenser tray.

5 Preparation

Before starting to use the product, check that all preparations are made in accordance with the instructions in sections "Important instructions for safety and environment" and "Installation".

- Clean the interior of the refrigerator as recommended in the "Maintenance and cleaning (Page 23)" section. Ensure that interior is dry before operating.
- Plug the refrigerator into the grounded wall outlet. When the door is opened the interior illumination will turn on.
- To be able store maximum food in the freezer compartment of your refrigerator, the upper drawer has to be removed and placed on top of glass shelf. Power consumption stated for your refrigerator has been determined after removing the icematic and the upper drawers as to allow maximum loading. It is strongly recommended to use the lower drawers in the freezer and the multizone compartment while loading.
- Run the refrigerator without putting any food for 6 hours and do not open its door unless absolutely required.
- Do not allow the food to touch the temperature sensor in fresh food compartment.

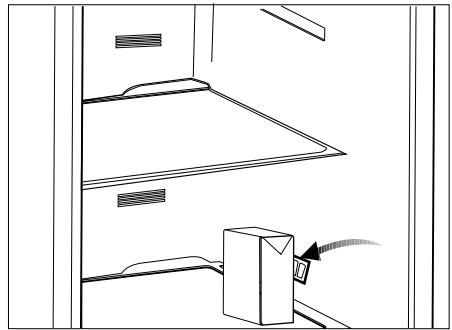


You will hear a noise when the compressor starts up. The liquids and gases sealed within the refrigeration system may also give rise to noise, even if the compressor is not running and this is quite normal.



Front edges of the refrigerator may feel warm. This is normal. These areas are designed to be warm to avoid condensation.

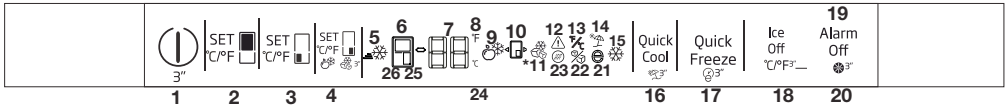
- To allow the fresh food compartment keep its ideal storage temperature, sensor must not be covered by food.



6 Display and operating the product

6.1 Indicator panel

Touch-control indicator panel allows you to set the temperature and control the other functions of the refrigerator. Just press the relevant buttons for function settings.



1. On/Off function

Press the On/Off button for 3 seconds to turn off or turn on the fridge.

2. Quick freeze function button

Press this button to activate or deactivate the quick freeze function. When you activate the function, the freezer compartment will be cooled to a temperature lower than the set value.



Use the quick freeze function when you want to quickly freeze the food placed in freezer compartment. If you want to freeze large amounts of fresh food, activate this function before putting the food into the product.



If you do not cancel it, Quick Freeze will cancel itself automatically after 4 hours at the most or when the fridge compartment reaches to the required temperature.



This function is not recalled when power restores after a power failure.

3. Select button

Use this button to select the cabin whose temperature you want to change. Switch between the cabins by pressing this button. The selected cabin can be understood from the cabin icons (6, 25, 24). Whichever cabin icon is power on, the cabin, whose temperature set value you want to change, is selected. Then, you can change the set value by pressing the cabin set value Temperature Adjustment button (4)

4. Temperature Adjustment / Temperature Decrease

When pressed, decreases the temperature of the selected compartment.



5-Quick freeze Indicator

This icon lights when the Quick freeze function is active.



6. Fridge compartment indicator

When this indicator is active, the temperature of the fridge compartment is displayed on the temperature value indicator. Fridge compartment can be set to 8, 7, 6, 5, 4, 3, 2 or 1°C / 46, 45, 44, 43, 42, 41, 40, 39, 38, 37, 36, 35, 34 or 33°F by pressing Temperature Adjustment button (4).



7. Temperature value indicator

Shows the temperature value of the selected compartment.



8. Fahrenheit indicator

It is a Fahrenheit indicator. When the Fahrenheit indication is activated, the temperature set values are shown in Fahrenheit and the relevant icon turns on.



9. Joker fridge icon

When you select the joker fridge icon using the FN button (16) and press the OK button (17) the joker cabin turns into a fridge cabin and operates as a cooler.



10. Joker cabin icon

It shows joker cabin icon.



***optional:** Figures in this user manual are schematic and may not match the product exactly. If the subject parts are not included in the product you have purchased, then those parts are valid for other models.

Display and operating the product

11. Joker freezer icon

When you select the joker freezer icon using the FN button (16) and press the OK button (17) the joker cabin turns into a freezer cabin and operates as a freezer.

12. Power failure/High temperature / error warning

This indicator illuminates during power failure, high temperature failures and error warnings. During long-term power failures, the highest temperature value that the freezer compartment reaches will blink on the digital display. After checking the food located in the freezer compartment, press the alarm off button (19) to clear the warning.

13. Setting the Celsius and Fahrenheit indicator

Hover over this key using the FN key and select Fahrenheit and Celsius via the OK key. When the relevant temperature type is selected, the Fahrenheit and Celsius indicator turns on.

14. Vacation function icon

Press the FN key (until it reaches the umbrella icon) to activate the vacation function. When you hover over the vacation function icon, it start flashing. Thus, you can understand whether the vacation function will be activated or deactivated. When you press the OK button, the vacation function indicator lights continuously and thus the Vacation function is activated. Press the OK key to cancel the vacation function. Thus, the vacation function indicator will start flashing and the vacation function will be cancelled.

15. Quick cooling function indicator

It turns on when the quick fridge function is activated.

Quick 16. FN button

Cool Using this key, you can switch between the functions that you want to select. Upon pressing this key, the icon, whose function is required to be activated or deactivated, and this icon's indicator starts flashing. The FN button gets deactivated if not pressed for 20 seconds. You need to press this button to change the functions again.

Quick 17. OK button

Freeze After navigating the functions using the FN button, when the function is cancelled via the OK button, the relevant indicator flashes. When the function is activated, it remains on. The indicator continues to flash in order to show the icon it is on.

18. Quick cooling function button

The button has two functions. To activate or deactivate the quick cool function, press it briefly. Quick Cool indicator will turn off and the product will return to its normal settings.

Alarm 19. Alarm off warning

Off In case of power failure/high temperature alarm, after checking the foods in the freezer compartment, press the alarm off button to clear the High temperature warning icon (12).

20. Filter reset

The filter is reset when the alarm off button (19) is pressed for 3 seconds. Filter reset icon goes off.

21. Eco fuzzy function icon

Press the FN key (until it reaches the letter e icon) to activate the eco fuzzy. When you hover over the eco fuzzy icon it start flashing. Thus, you can understand whether the eco fuzzy function will be activated or deactivated. When you press the OK button, the eco fuzzy function icon lights continuously during this process. If you do not press any button after 20 seconds, the icon remains on. Thus, the eco fuzzy function is activated. In order to cancel the eco fuzzy function, hover over the icon again and press the OK key. Thus, the eco fuzzy function icon will start flashing. If you do not press any button within 20 seconds, the icon will go off and the eco fuzzy function will be cancelled.

22. Ice machine off icon

Press the FN key (until it reaches the ice icon) to switch off the ice machine. The ice machine off icon start flashing when you hover over it, thus you can understand whether the ice machine will be turned on or off. When you press the OK button, the ice machine icon

lights continuously during this process. If you do not press any button after 20 seconds, the icon and the indicator remains on. Thus, the ice machine is switched off. In order to switch on the ice machine again, hover over the icon. The ice machine off icon will start flashing. If you press ok button, the icon will go off and thus the ice machine will be switched on again.



Indicates whether the icematic is on or off.



Water flow from water tank will stop when this function is selected. However, ice made previously can be taken from the icematic.



23. Filter reset icon

This icon turns on when the filter needs to be reset.



24. Celsius indicator

It is a Celsius indicator. When the Celsius indication is activated, the temperature set values are shown in Celsius and the relevant icon turns on.



25. Joker compartment indicator

When this indicator is active, the temperature of the joker compartment is displayed on the temperature value indicator. Le compartiment Joker peut être réglé sur 10, 8, 6, 4, 2, 0, -2 et -6 °C / 50, 46, 42, 39, 35, 32, 28 et 21 °F en mode réfrigérateur et sur -15, -16, -18, -19, -20, -21 et -22 °C / 5, 3, 0, -2, -4, -5 et -7 °F en mode congélateur en appuyant sur le bouton de réglage de température (4).



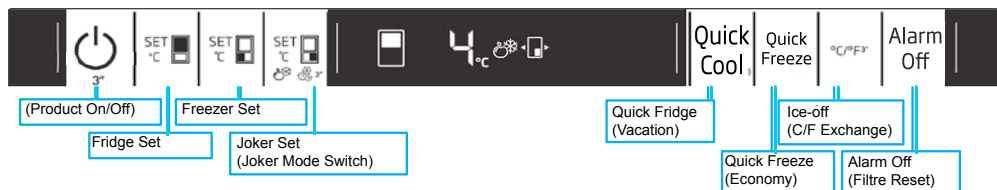
26. Freezer compartment indicator

When this indicator is active, the temperature of the freezer compartment is displayed on the temperature value indicator. Freezer compartment can be set to -15, -16, -18, -19, -20, -21 and -22 °C / 5, 3, 0, -1, -2, -3, -4, -5, -6, -7 and -8 °F by pressing Temperature Adjustment button (4).

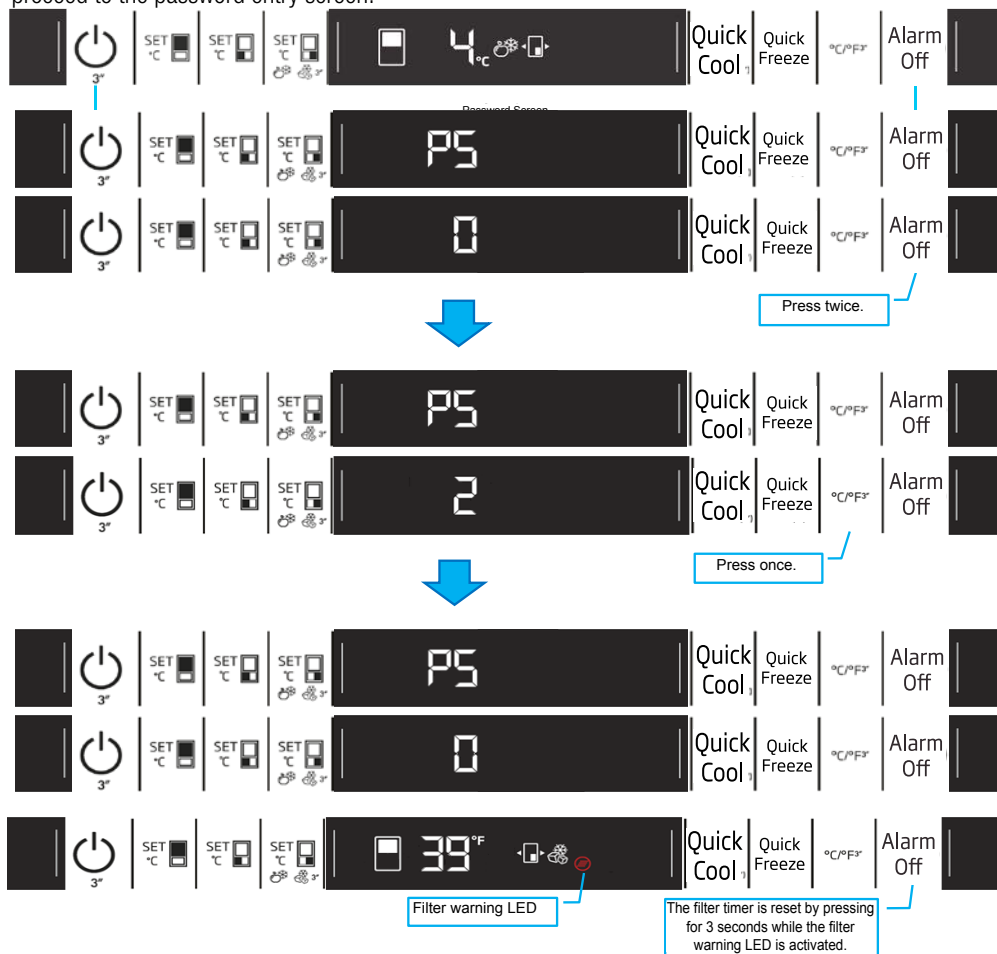
6.2 U4 CONTROL BOARD FOREVER 4K DISPLAY

ACTIVATING OF FILTER COUNTER

The hand plate display board we use in the refrigerator has an eight-key system. Set values are shown on the display.



Step 1: After powering, press the Product Off/on and Alarm Off keys for 3 seconds at any time to proceed to the password entry screen.



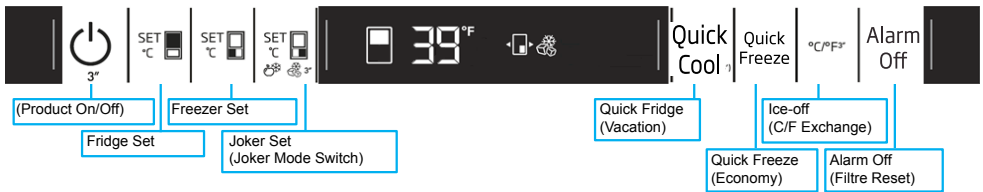
After PS 0 screen is shown again, the power of the refrigerator is cut and supplied again. The Filter counter will be activated. The filter warning LED is activated on the display after 130 days. Filter timer starts to count down from 130 days upon pressing the Alarm Off button for 3 seconds after the filter is replaced with a new one.

Repeat the procedures stated above to cancel this function.

6.3 U4 CONTROL BOARD FOREVER 4K DISPLAY

ACTIVATING/DEACTIVATING OF ICE-OFF FUNCTION

The hand plate display board we use in the refrigerator has an eight-key system. Set values are shown on the display.



*(pressing 3 sec.)

Step 1: The Ice-off function is activated by pressing the Ice-off / °C/°F button at any time after it is powered. The Ice-off icon turns on in the display and ice formation stops.



When the Ice-off / °C/°F button is pressed while the Ice-off icon is on, the Ice-off function is deactivated. The Ice-off icon goes out on the display and ice formation starts.

Operating Temperatures

Freezer Compartment Setting	Fridge Compartment Setting	Remarks
-18°C/ 0°F	4°C/ 39°F	This is the normal recommended setting.
-20, -22 or -4, -8	4°C/ 39°F	These settings are recommended when the ambient temperature exceeds 30°C/ 86°F.
Quick Freeze	4°C/ 39°F	Use when you wish to freeze your food in a short time. Your product will return to its previous mode when the process is over.
-18°C/ 0°F or colder	2°C/35°F	Use these settings if you think that your fridge compartment is not cold enough because of the hot ambient conditions or frequent opening and closing of the door.

Recommended Using Temperature: FF: 4°C / 39°F Frz : -18°C / 0°F

6.4 Freezing fresh food

- In order to preserve the quality of the food, it shall be frozen as quickly as possible when it is placed in the freezer compartment, use the fast freezing feature for this purpose.
- You may store the food longer in freezer compartment when you freeze them while they are fresh.
- Pack the food to be frozen and close the packing so that it would not allow entrance of air.
- Ensure that you pack your food before putting them in the freezer. Use freezer containers, foils and moisture-proof papers, plastic bags and other packing materials instead of traditional packing papers.
- Label each pack of food by adding the date before freezing. You may distinguish the freshness of each food pack in this way when you open your freezer each time. Store the food frozen before in the front side of compartment to ensure that they are used first.
- Frozen food must be used immediately after they are thawed and they should not be re-frozen.
- Do not freeze too large quantities of food at one time.

6.5 Recommendations for preserving the frozen food

Compartment shall be set to -18°C/ 0°F at least.

1. Put packages in the freezer as quickly as possible after purchase without allowing the to thaw.
2. Check whether the “Use By” and “Best Before” dates on the packaging are expired or not before freezing it.
3. Ensure that the package of the food is not damaged.

6.6 Deep-freeze information

According to IEC 62552 standards, the product shall freeze at least 4.5 kg of food at 25°C/ 77°F ambient temperature to -18°C / 0°F for lower within 24 hours for every 100-litres of freezer volume.

It is possible to preserve the food for a long time only at -18°C/ 0°F or lower temperatures.

You can keep the freshness of food for many months (at -18°C/ 0°F or lower temperatures in the deep freeze).

Foods to be frozen should not be allowed to come in contact with the previously frozen items to prevent them from getting thawed partially.

Operating the product

Boil the vegetables and drain their water in order to store vegetables for a longer time as frozen. After draining their water, put them in air-proof packages and place them inside the freezer. Food such as bananas, tomatoes, lettuce, celery, boiled eggs, potatoes are not suitable for freezing. When these foods are frozen, only their nutritional value and taste shall be affected negatively. They shall not be spoiled so that they would create a risk for human health.

6.7 Placing the food

Freezer compartment shelves	Various frozen food such as meat, fish, ice cream, vegetables and etc.
Refrigerator compartment shelves	Food in pans, covered plates and closed containers, eggs (in closed container)
Door shelves of fridge compartment	Small and packaged food or beverage
Crisper	Vegetables and fruits
Fresh zone compartment	Delicatessen (breakfast food, meat products that shall be consumed in a short time)

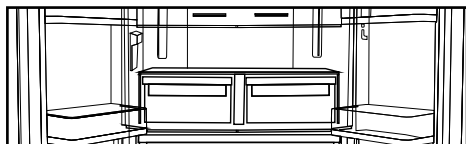
6.8 Crisper bins

(in some models)

Crisper bins allow you to prepare the food for freezing. You can also use these compartments to store your food at a temperature a few degrees below the fridge compartment.

You can increase the inner volume of your refrigerator by removing any of the chiller compartments:

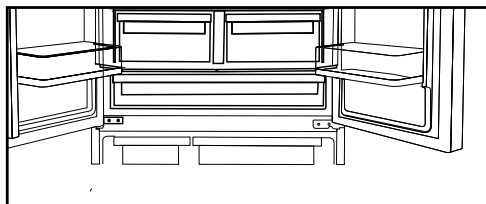
1. Pull the compartment towards yourself until it stops.
2. Lift the compartment about 7/16" (1cm) up and pull towards yourself to remove it from its seating.



6.9 Deli Drawer

The Deli Drawer is designed with cool air circulation intensified around it. This allows for items stored in the drawer to be generally fresher than average Fresh Food compartment temperatures.

If required, remove door shelves prior to Deli Drawer removal



6.10 Humidity controlled crisper

(EverFresh+)

Humidity levels of the vegetables and fruit are kept under control with the feature of humidity-controlled crisper and the food is ensured to stay fresh longer.

We recommend you to place the leafy vegetables such as lettuce, spinach and the vegetables which are sensitive to humidity loss, in a horizontal manner as much as possible inside the crisper, not on their roots in a vertical position.

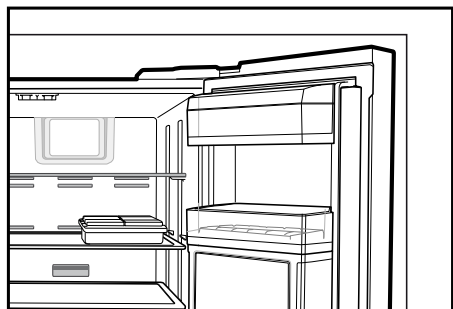
While the vegetables are being placed, individual weights of the vegetables should be taken into consideration. Heavy and hard vegetables should be put at the bottom of the crisper and the lightweight and soft vegetables should be placed on top.

Never leave vegetables inside the crisper in their bags. This will cause them to decompose prematurely. If you wish to keep vegetables separate, use perforated paper bags or similar materials to do so. Certain fruits such as pears, apricots, peaches or apples generate high levels of ethylene gas. Do not place them with other fruits and vegetables which do not, as this will cause them to decompose faster.

Operating the product

6.11 Butter & Cheese section

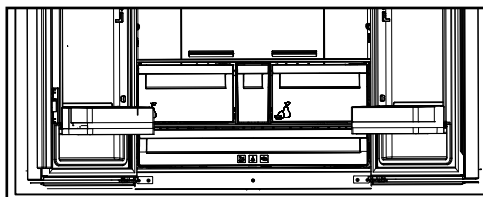
Store food such as butter, cheese and margarine in this section.



6.12 Icematic (in some models)

To get ice from the icematic, fill the water tank in the fridge compartment with water up to the maximum level.

Ice cubes in the ice drawer may stick to each other and become a bulk due to hot and humid air in approximately 15 days. This is normal. If you cannot break the bulk apart, you can empty the ice container and make ice again.



It is recommended to change the water in the water tank if it remains in the water tank for more than 2-3 weeks.



Strange noises you hear from the refrigerator at 120-minute intervals are the sounds of ice-making and pouring. This is normal.



If you do not want to make ice, press the Ice off icon to stop the icematic to save energy and prolong the service life of your refrigerator.



It is normal that a few drops of water drop from the dispenser after you have taken water.

6.13 Movable Middle Section

Movable middle section is intended to prevent the cold air inside your refrigerator from escaping outside.

1- Sealing is provided when the gaskets on the door presses on the surface of the movable middle section while the fridge compartment doors are closed.

2- Another reason that your refrigerator is equipped with a movable middle section is that it increases the net volume of the fridge compartment. Standard middle sections occupy some non-usable volume in the refrigerator.

3-Movable middle section is closed when the left door of the fridge compartment is opened.

4-It must not be opened manually. It moves under the guidance of the plastic part on the body while the door is closed.

6.14 Cool Control Storage Compartment

The Cool Control Storage Compartment of your refrigerator may be used in any desired mode by adjusting it to fridge (2/4/6/8°C / 34, 43, 44,46°F) or freezer (-18/-20/-22/-24°C/ 0,-4,-8,-12°F) temperatures. You can keep the compartment at the desired temperature with the Cool Control Storage Compartment's Temperature Setting Button. The temperature of the Cool Control Storage Compartment may be set to 0 and 10 degrees in addition to the fridge compartment temperatures and to -6 degrees in addition to the freezer compartment temperatures. 0 degree is used to store the deli products longer, and -6 degrees is used to keep the meats up to 2 weeks in an easily sliceable condition.

Operating the product

The feature of switching to a Fridge or Freezer compartment is provided by a cooling element located in the closed section (Compressor Compartment) behind the refrigerator. During operation of this element, sounds similar to the sound of seconds heard from an analogue clock may be heard. This is normal and is not fault cause.

6.15 Blue light

(in some models)

Crisper of the refrigerator are illuminated with a blue light. Foodstuff stored in the crisper continue their photosynthesis by means of the wavelength effect of blue light and thus, preserve their freshness and increase their vitamin content.

6.16 Odour filter

Odour filter in the air duct of the fridge compartment prevents build-up of unpleasant odours in the refrigerator.

7. Maintenance and cleaning

The life of the product is extended and common problems are reduced, if it is cleaned regularly.



WARNING: Unplug the product before cleaning it.

- Never use gasoline, benzene or similar substances for cleaning purposes.
- Never use any sharp and abrasive tools, soap, household cleaners, detergent and wax polish for cleaning.
- Dissolve one teaspoon of baking soda in 1 pint of water. Soak a cloth with the solution and wring it thoroughly. Wipe the interior of the refrigerator with this cloth and dry thoroughly.
- Make sure that no water enters the lamp housing and other electrical items.
- If you will not use the refrigerator for a long period of time, unplug it, remove all food inside, clean it and leave the door ajar.
- Check regularly that the door gaskets are clean. If not, clean them.
- To remove door and body shelves, remove all of its contents.
- Remove the door shelves by pulling them up. After cleaning, slide them from top to bottom to install.
- Never use cleaning agents or water that contain chlorine to clean the outer surfaces and chromium coated parts of the product. Chlorine causes corrosion on such metal surfaces

7.1 Avoiding bad odors

Materials that may cause odor are not used in the production of our refrigerators. However, due to inappropriate food preserving conditions and not cleaning the inner surface of the refrigerator as required can bring forth the problem of odor. Pay attention to following to avoid this problem:

- Keeping the refrigerator clean is important. Food residuals, stains, etc. can cause odor. Therefore, clean the refrigerator with baking soda dissolved in water every 15 days. Never use detergents or soap.
- Keep the food in closed containers. Microorganisms spreading out from uncovered containers can cause unpleasant odors.
- Never keep the food that is past its expiration date or has spoiled in the refrigerator.

7.2 Protecting the plastic surfaces

Do not put liquid oils or oil-cooked meals in your refrigerator in unsealed containers as they damage the plastic surfaces of the refrigerator. If oil is spilled or smeared onto the plastic surfaces, clean and rinse the relevant part of the surface at once with warm water.

8. Troubleshooting

Check this list before contacting a servicer. Doing so will save you time and money. This list includes frequent complaints that are not related to faulty workmanship or materials. Certain features mentioned herein may not apply to your product.

The refrigerator is not working.

- The power plug is not fully seated. >>> Plug it in outlet completely into the socket.
- The fuse connected to the socket powering the product or the main fuse is blown. >>> Be sure the unit is turned on. A single red light in the display means the product is plugged in but not turned on. Press and hold the Power button for three seconds to turn the unit on.
- **Condensation on the side wall of the fresh food compartment (MULTI ZONE, COOL, CONTROL and FLEXI ZONE).**
- The door is opened too frequently >>> Take care not to open the product's door too frequently.
- The environment is too humid. >>> Do not install the product in humid environments.
- Foods containing liquids are kept in unsealed holders. >>> Keep the foods containing liquids in sealed holders.
- The product's door is left open. >>> Do not keep the product's door open for long periods.
- The thermostat is set to too low temperature. >>> Set the thermostat to appropriate temperature.

Compressor is not working.

- In case of sudden power failure or pulling the power plug off and putting back on, the gas pressure in the product's cooling system is not balanced, which triggers the compressor thermic safeguard. The product will restart after approximately 6 minutes. If the product does not restart after this period, contact a servicer.
- Defrosting is active. >>> This is normal for a fully-automatic defrosting product. The defrosting is carried out periodically.
- The product is not plugged in. >>> Make sure the power cord is plugged in.
- The temperature setting is incorrect. >>> Select the appropriate temperature setting.
- The power is out. >>> The product will continue to operate normally once the power is restored.

The refrigerator's operating noise is increasing while in use.

- The product's operating performance may vary depending on the ambient temperature variations. This is normal and not a malfunction.

The refrigerator runs too often or for too long.

- The new product may be larger than the previous one. Larger products will run for longer periods.
- The room temperature may be high. >>> The product will normally run for long periods in higher room temperature.
- The product may have been recently plugged in or a new food item is placed inside. >>> The product will take longer to reach the set temperature when recently plugged in or a new food item is placed inside. This is normal.
- Large quantities of hot food may have been recently placed into the product. >>> Do not place hot food into the product.
- The doors were opened frequently or kept open for long periods. >>> The warm air moving inside will cause the product to run longer. Do not open the doors too frequently.
- The freezer or fresh food compartment door may be ajar. >>> Check that the doors are fully closed.
- The product may be set to temperature too low. >>> Set the temperature to a higher degree and wait for the product to reach the adjusted temperature.
- The fresh food compartment or freezer door washer may be dirty, worn out, broken or not properly settled. >>> Clean or replace the washer. Damaged / torn door washer will cause the product to run for longer periods to preserve the current temperature.

Troubleshooting

The freezer temperature is very low, but the fresh food compartment temperature is adequate.

- The freezer compartment temperature is set to a very low degree. >>> Set the freezer compartment temperature to a higher degree and check again.

The fresh food compartment temperature is very low, but the freezer temperature is adequate.

- The fresh food compartment temperature is set to a very low degree. >>> Set the freezer compartment temperature to a higher degree and check again.

The food items kept in fresh food compartment drawers are frozen.

- The fresh food compartment temperature is set to a very low degree. >>> Set the freezer compartment temperature to a higher degree and check again.

The temperature in the fresh food compartment or the freezer is too high.

- The fresh food compartment temperature is set to a very high degree. >>> Temperature setting of the fresh food compartment has an effect on the temperature in the freezer compartment. Wait until the temperature of relevant parts reach the sufficient level by changing the temperature of fresh food compartment or freezer compartments.
- The doors were opened frequently or kept open for long periods. >>> Do not open the doors too frequently.
- The door may be ajar. >>> Fully close the door.
- The product may have been recently plugged in or a new food item is placed inside. >>> This is normal. The product will take longer to reach the set temperature when recently plugged in or a new food item is placed inside.
- Large quantities of hot food may have been recently placed into the product. >>> Do not place hot food into the product.

Shaking or noise.

- The ground is not level or firm. >>> If the product is shaking when moved slowly, adjust the feet to balance the product. Also make sure the ground is sufficiently firm to bear the product.
- Any items placed on the product may cause noise. >>> Remove any items placed on the product.

The product is making noise of liquid flowing, spraying etc.

- The product's operating principles involve liquid and gas flows. >>> This is normal and not a malfunction.

There is sound of wind blowing coming from the product.

- The product uses a fan for the cooling process. This is normal and not a malfunction.

There is condensation on the product's internal walls.

- Hot or humid weather will increase icing and condensation. This is normal and not a malfunction.
- The doors were opened frequently or kept open for long periods. >>> Do not open the doors too frequently; if open, close the door.
- The door may be ajar. >>> Fully close the door.

There is condensation on the product's exterior or between the doors.

- The ambient weather may be humid, this is quite normal in humid weather. >>> The condensation will dissipate when the humidity is reduced.

The interior smells bad.

- The product is not cleaned regularly. >>> Clean the interior regularly using sponge, warm water and carbonated water.
- Certain containers and packaging materials may cause odor. >>> Use containers and packaging materials free of odor.

Troubleshooting

- The foods were placed in unsealed containers. >>> Keep the foods in sealed containers. Micro-organisms may spread out of unsealed food items and cause bad odor. Remove any expired or spoiled foods from the product.

The door is not closing.

- Food packages may be blocking the door. >>> Relocate any items blocking the doors.
- The product is not standing in full upright position on the ground. >>> Adjust the stands to balance the product.
- The ground is not level or firm. >>> Make sure the ground is level and sufficiently firm to bear the product.

The vegetable bin is jammed.

- The food items may be obstructing with the upper section of the drawer. >>> Reorganize the food items in the drawer.

If The Surface Of The Product Is Hot.

- High temperatures may be observed between the two doors, on the side panels and at the rear grill while the product is operating. This is normal and does not require service maintenance! Be careful when touching these areas.



WARNING:

If the problem persists after following the instructions in this section, contact your vendor or an Authorized Service. Do not try to repair the product.



WARNING:

- This product can expose you to chemicals including Nickel (Metallic) which is known to the State of California to cause cancer.
- For more information go to www.P65Warnings.ca.gov
- Note : Nickel is a component in all stainless steel and some other metal components.

BEKO US RESIDENTIAL PRODUCT WARRANTY

The warranties provided by Beko in these statements only apply to Beko appliance sold to the original purchaser or homeowner in the US (Including Alaska, Hawaii, Puerto Rico and the US Virgin Islands) and The Cayman Islands

The factory warranty applies only to products purchased through an authorized dealer or authorized reseller. Go to www.bekoappliances.com/where-to-buy for a list of authorized dealers. Products purchased through non-authorized dealers and wholesalers will not be covered under the manufactures warranty

The warranty is not transferable. To obtain warranty service, please contact your dealer or contact us at <https://www.bekoappliances.com/support/beforecallcenter/> You will need your product model number, serial number, retailer name and address, where purchased and purchase date / installation date. This warranty gives you specific legal rights, and you may also have other rights which vary from state to state. Also, please make sure you register your product for warranty at: <https://www.bekoappliances.com/product-registration/>

2 year (*) full warranty from date of first installation (All Beko Products)

Beko will repair or replace at no cost to the consumer any defective parts if used under normal household conditions

(Warranty is void if the product is used commercially e.g., bed + breakfast, nursing home etc.). Service must also be performed by an authorized Beko service agency. (Cosmetic defects must be reported within 10 business days from installation). 1 year warranty on the accessories is for the parts only and does not include labor.

3rd thru 5th year (*, **) Sealed System Warranty on refrigerators - Parts Only

Beko will provide (No Charge) any compressor, evaporator, condenser and filter Dryer to the consumer if material defects or workmanship have caused the damage or failure of these components. (Trip and Labor charges are the responsibility of the consumer)

3rd thru 10th year (*, **) ProSmart™ Inverter Motor on Dishwashers - Part Only

Beko will provide (No Charge) a ProSmart Inverter Main Wash Motor if material defects or workmanship have caused the damage or failure of this component. (Trip and Labor charges are the responsibility of the consumer)

Disclaimers of warranties and exclusions:

Warranty does not cover service costs by an authorized service agent to correct installation, electrical problems or educational instruction on the use of the electric and gas ranges. The warranty also does not cover defects or damage caused by an act of God (such as storms, floods, fires, mudslides, etc.), damage cause by use of the electric and gas ranges for purposes other than those for which it was designed, misuse, abuse, accident, alteration, improper installation, maintenance, travel fees, service calls outside normal service hours, pick up and delivery, any food loss due to product failure, unauthorized service work or work.

This product is fully tested and went through official quality assurance inspections before leaving the original manufacturing site. Warranty terms for this Beko household appliance is not valid if the product is altered, tampered, modified, additional parts assembled, fixed and re-packed by an authorized distributor, servicer, a third party retailer, reseller or by any other unauthorized person(s).

TO THE EXTENT PERMITTED BY LAW, THIS WARRANTY IS IN LIEU OF ALL OTHER EXPRESSED AND IMPLIED WARRANTIES, INCLUDING THE IMPLIED WARRANTIES OF MERCHANTABILITY AND FITNESS FOR A PARTICULAR PURPOSE. BEKO UNDERTAKES NO RESPONSIBILITY FOR THE QUALITY OF THIS PRODUCT EXCEPT AS OTHERWISE PROVIDED IN THIS WARRANTY STATEMENT. BEKO ASSUMES NO RESPONSIBILITY THAT THE PRODUCT WILL BE FIT FOR ANY PARTICULAR PURPOSE FOR WHICH YOU MAY BE BUYING THIS PRODUCT, EXCEPT AS OTHERWISE PROVIDED IN THIS WARRANTY STATEMENT.

Beko does not assume any responsibility for incidental or consequential damages. Such damages include, but are not limited to, loss of profits, loss of savings or revenue, loss of use of the electric and gas ranges or any associated equipment, cost of capital, cost of any substitute equipment, facilities or services, downtime, the claims of third parties, and injury to property. Some states do not allow the exclusion or limitation of incidental or consequential damages, so the above limitations or exclusion may not apply to you.

(*) Installation date shall refer to either purchase date or 5 business days after delivery of the product to the home, whichever is later. (**) Parts replaced will assume the identity of the original parts + their original warranty.

No Other Warranties. This Warranty Statement is the complete and exclusive warranty from the manufacturer. No employee of Beko or any other party is authorized to make any warranty statements in addition to those made in this Warranty Statement.

Please keep this warranty card, user manual and your sales slip for future reference.

HOW TO CONTACT BEKO

Please contact Beko US at 1 (888) 352-2356 and select option 2 for customer service

HOW TO GET SERVICE

Please contact you authorized Beko dealer or visit www.bekoappliances.com to locate and get information for the closest authorized Beko service center.

Beko Warranty Information - Version 2.2-2019

Veillez d'abord lire ce manuel d'utilisation !

Chère cliente, cher client,

Nous espérons que votre produit, qui a été fabriqué dans des usines modernes et vérifié au terme des procédures de contrôle de qualité les plus méticuleuses, vous aidera efficacement.

Le présent manuel vous permettra d'utiliser votre appareil rapidement et en toute sécurité.

- Veillez à lire les instructions de sécurité.
- Gardez le manuel dans un endroit facilement accessible, car vous pourriez en avoir besoin plus tard.
- Lisez également la documentation fournie avec le produit.
- Le fabricant se réserve le droit d'effectuer des modifications sur l'appareil.

N'oubliez pas que ce manuel d'utilisation s'applique aussi à plusieurs autres modèles d'appareils.

Explication des symboles

Les symboles suivants sont utilisés dans ce manuel d'utilisation :


	Informations importantes ou astuces utiles.
	Risque de blessure et de dommages matériels.
	Risque d'électrocution.
	Les matériaux d'emballage de cet appareil sont fabriqués à partir de matériaux recyclables, conformément à nos réglementations nationales en matière d'environnement.

Table des matières

1 **Instrucciones importantes** **concernant la sécurité et** **l'environnement** **3**

- 1.1 Consignes de sécurité générales 3
- 1.2 Avertissement concernant les hydrocarbures (HC) 5
- 1.3 Pour les produits avec un distributeur d'eau/une machine à glace. 5
- 1.4 Utilisation prévue 5
- 1.5 La sécurité des enfants 6
- 1.6 Conformité avec la directive DEEE et élimination des déchets : 6
- 1.7 Conformité à la directive RoHS : 6
- 1.8 Informations sur l'emballage 6

2 **Instructions environnementales** **7**

- 2.1 Conformité avec la directive WEEE et mise au rebut des appareils usagés : 7
- 2.2 Conformité avec la Directive RoHS 7
- 2.3 Informations sur l'emballage 7

3 **Votre réfrigérateur** **8**

4 **Installation** **9**

- 4.1 Emplacement approprié pour l'installation . 9
- 4.2 Installation des cales en plastique 9
- 4.3.* Réglage des pieds 9
- 4.4. Branchement électrique 11
- 4.5 Arrivée d'eau 11
- 4.5.1 Avant l'installation 11
- 4.6 Raccordement du tuyau d'arrivée d'eau au réfrigérateur 12
- 4.7 Raccordement de la conduite d'eau à l'alimentation en eau 12
- 4.8 Filtre à eau 12

5 **Préparation** **13**

- 5.1 Mesures d'économie d'énergie 13
- 5.2 Recommandations relatives au compartiment des aliments frais 13
- 5.3 Première utilisation 14

6 **Fonctionnement de l'appareil** **15**

- 6.1 Panneau de commande 15
- 6.2 PANNEAU DE COMMANDE U4 DE L'ÉCRAN FOREVER 4K 18
- ACTIVATION DU COMPTEUR DE FILTRE 18
- 6.3 PANNEAU DE COMMANDE U4 DE L'ÉCRAN FOREVER 4K 20
- ACTIVATION/DÉSACTIVATION DE LA FONCTION ICE-OFF 20
- 6.4 Congélation des aliments frais 21
- 6.5 Recommandations relatives à la conservation des aliments congelés. 21
- 6.6 Informations concernant la congélation . . 21
- 6.7 Disposition des aliments 22
- 6.8 Avertissement - Porte ouverte 22
- 6.9 Eclairage LED 22
- 6.10 Compartiment Zone fraîcheur 23
- 6.11 Bac à légumes 23
- 6.12 Bac à humidité contrôlée. 23 (EverFresh+). 23
- 6.13 Casier à œufs 23
- 6.14 Section centrale modulable 23
- 6.15 Compartiment de conservation Cool Control 24
- 6.16 Bluelight 24
- 6.17 Filtre anti-odeurs 24
- 6.18 Distributeur de glaçons 25

7. **Entretien et nettoyage** **29**

- 7.1 Prévention des mauvaises odeurs 29
- 7.2 Protection des surfaces en plastique . . . 29

8 **Dépannage** **30**

1 Instructions importantes concernant la sécurité et l'environnement

Cette section comprend les Informations de sécurité qui vous protègent de toute blessure physique ou de tout dommage matériel. Le non-respect de ces instructions annule toute garantie.

Utilisation prévue

	MISE EN GARDE: Maintenir dégagées les ouvertures de ventilation dans l'enceinte de l'appareil ou dans la structure d'encastrement.
	MISE EN GARDE: Ne pas utiliser de dispositifs mécaniques ou autres moyens pour accélérer le processus de dégivrage autres que ceux recommandés par le fabricant.
	MISE EN GARDE: Ne pas endommager le circuit de réfrigération.
	MISE EN GARDE: Ne pas utiliser d'appareils électriques à l'intérieur du compartiment de stockage des denrées, à moins qu'ils ne soient du type recommandé par le fabricant.

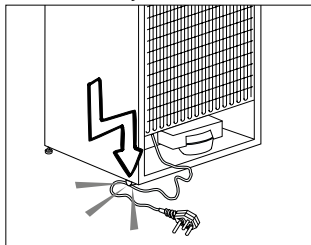
Cet appareil est destiné à une utilisation domestique et à d'autres applications similaires, notamment :

- dans les cuisines du personnel des boutiques, des bureaux et autres environnements professionnels ;
- les maisons de campagne, les chambres d'hôtel, de motel et d'autres types de résidence ;
- dans des chambres ou des salles de petit-déjeuner ;

– les restaurants et les espaces semblables de vente au détail.

1.1 Consignes de sécurité générales

- Ce produit n'a pas été prévu pour être utilisé par des personnes (notamment les enfants) dont les capacités physiques, sensorielles ou mentales sont réduites, ou n'ayant pas suffisamment d'expérience ou de connaissances, à moins qu'une personne chargée de leur sécurité ne les surveille ou ne leur apprenne à utiliser le produit. Surveillez toujours les enfants pour s'assurer qu'ils ne jouent pas avec l'appareil.
- Le non-respect des instructions et l'utilisation incontrôlée du produit entraînent des résultats dangereux !
- Débranchez le produit si vous rencontrez une panne pendant l'utilisation.
- En cas de dysfonctionnement du produit, celui-ci ne doit pas être utilisé avant d'avoir été réparé par le prestataire de services agréé. Risque d'électrocution !
- Branchez le produit dans une prise de courant reliée à la terre et protégée par un fusible correspondant à la valeur indiquée sur sa plaque signalétique. Demandez à un électricien qualifié de mettre le produit à la terre. Notre société ne peut être tenue responsable des dommages résultant de l'absence d'utilisation du produit avec une prise de terre conformément aux réglementations locales.
- Débranchez l'appareil lorsqu'il n'est pas utilisé.
- lavez jamais l'appareil par pulvérisation ou aspersion d'eau ! Risque d'électrocution !
- Évitez de toucher la fiche avec des mains humides !
- Ne débranchez jamais le produit en tirant sur le câble. Tirez toujours la fiche en tenant la prise.



Instructions importantes en matière de sécurité et d'environnement

- Évitez de brancher le réfrigérateur lorsque la prise est instable.
- Ne connectez jamais votre réfrigérateur à des dispositifs d'économie d'énergie. De tels systèmes sont nuisibles à votre produit.
- Débranchez l'appareil pendant les procédures d'installation, d'entretien, de nettoyage et de réparation.
- Faites toujours installer le produit et établir ses connexions électriques par le **prestataire de services agréé**. Le fabricant ne peut être tenu responsable des dommages causés par des procédures effectuées par des personnes non autorisées.
- Ne mangez pas les glaces en cône et les glaçons immédiatement après les avoir sortis du compartiment congélateur. Cela peut occasionner des gelures dans votre bouche !
- Évitez de toucher les aliments congelés avec des mains humides ! Ils peuvent coller à votre main !
- Ne placez pas de bouteilles ou de canettes dans le compartiment congélateur. Elles peuvent exploser !
- N'utilisez jamais de vapeur ou de nettoyeur à vapeur pour nettoyer ou dégivrer le réfrigérateur. La vapeur entre en contact avec les parties sous tension de votre réfrigérateur, provoquant un court-circuit ou un choc électrique !
- **AVERTISSEMENT** : Lorsque vous positionnez l'appareil, assurez-vous que le cordon d'alimentation n'est pas coincé ou endommagé. **Si le cordon d'alimentation est endommagé, il doit être remplacé par le fabricant, son agent de service ou des personnes de qualification similaire afin d'éviter tout danger.**
- **AVERTISSEMENT** : N'installez pas plusieurs prises d'alimentation portatives ou blocs d'alimentation portatifs à l'arrière de l'appareil.
- N'utilisez pas de dispositifs mécaniques ou autres moyens pour accélérer le processus de dégivrage autres que ceux recommandés par le fabricant.
- N'utilisez jamais les pièces de votre réfrigérateur, par exemple la porte ou le tiroir, comme moyen d'appui ou comme marche. Cela pourrait faire basculer le produit ou endommager ses pièces.
- N'endommagez pas les pièces, où circule le liquide réfrigérant avec des outils de perçage ou de découpe. Le fluide frigorigène peut s'échapper lorsque les conduits de gaz de l'évaporateur, les extensions de tuyau ou les revêtements de surface présentent des perforations, entraînant ainsi que des irritations cutanées ou des blessures aux yeux.
- Ne couvrez pas ou ne bloquez pas les orifices de ventilation de votre réfrigérateur avec un objet quelconque.
- Placez les boissons les plus alcoolisées bien fermées et verticalement.
- N'utilisez pas de pulvérisateur gazeux à proximité de l'appareil. Cela présente des risques d'incendie ou d'explosion !
- Ne conservez jamais des éléments ou des produits inflammables contenant des gaz inflammables (tels que des pulvérisateurs) ainsi que des matières explosives à l'intérieur de l'appareil.
- Ne placez pas de récipients remplis de liquide sur le produit. L'éclaboussure d'eau sur une pièce électrique peut provoquer un choc électrique ou un risque d'incendie.
- Ne conservez pas dans le réfrigérateur les articles qui nécessitent un ajustement précis de la température (comme les vaccins, les médicaments sensibles à la chaleur, le matériel scientifique, etc).
- Si vous n'avez pas l'intention d'utiliser le produit pendant une longue période, débranchez-le et retirez les aliments qu'il contient.
- S'il y a une lumière bleue sur le réfrigérateur, ne regardez pas cette lumière avec des outils optiques.
- L'exposition du produit à la pluie, à la neige, au soleil ou au vent est dangereuse en termes de sécurité électrique.
- Si votre appareil est à commande mécanique (thermostat), patientez 5 minutes avant de le rebrancher, après l'avoir débranché.

Instructions importantes en matière de sécurité et d'environnement

- Ne surchargez pas le réfrigérateur. Les objets qui se trouvent dans le réfrigérateur peuvent tomber lorsque la porte est ouverte et provoquer des blessures ou des dommages. Des problèmes similaires peuvent survenir si un objet quelconque est placé sur le produit.
- Si le produit est équipé d'une poignée de porte, ne tirez pas sur la poignée lorsque vous remplacez le produit. La poignée est peut-être desserrée.
- Veillez à ne pas coincer votre main ou toute autre partie du corps dans les parties mobiles du réfrigérateur.
- Ne mettez pas votre main ou tout autre corps étranger dans la machine à glaçons pendant qu'elle fonctionne.

1.2 Avertissement concernant les hydrocarbures (HC)

- Si le système de refroidissement de votre appareil contient du R600a :

Ce gaz est inflammable. Par conséquent, faites attention à ne pas endommager le système de refroidissement ou la tuyauterie pendant l'utilisation et le transport. S'il est endommagé, éloignez le produit des sources potentielles d'incendie qui pourraient l'enflammer et ventilez la pièce où le produit est placé.



Si l'appareil est endommagé et que vous observez une fuite de gaz, éloignez-vous du gaz. Il peut provoquer des gelures au contact de la peau. (y compris R134)



Ignorez cet avertissement si le système de refroidissement de votre produit contient du R134a.



Le type de gaz utilisé dans l'appareil est indiqué sur la plaque signalétique qui se trouve sur la paroi gauche à l'intérieur du réfrigérateur.



AVERTISSEMENT :

Ne jetez jamais le produit dans le feu pour l'éliminer.

1.3 Pour les produits avec un distributeur d'eau/une machine à glace

- La pression d'arrivée d'eau froide doit avoir une valeur maximale de 90 psi (620 kPa). Si la pression d'eau est supérieure à 80 psi (550 kPa), utilisez une soupape de limitation de pression dans votre système principal. Si vous ne savez pas comment vérifier la pression d'eau, demandez l'aide d'un plombier professionnel.
- S'il existe un risque d'impact d'eau dans votre installation, utilisez toujours un équipement de protection contre l'impact d'eau dans cette installation. Veuillez consulter des plombiers professionnels si vous n'êtes pas sûr de l'impact de l'eau dans votre installation.
- Il ne faut pas effectuer l'installation sur l'arrivée d'eau chaude.
- N'utilisez que de l'eau potable.
- Prenez les mesures nécessaires contre le risque de gel des tuyaux. La plage de fonctionnement de la température de l'eau doit être comprise entre 0,6°C (33°F) au minimum et 38°C (100°F) au maximum.



AVERTISSEMENT :

Ne raccordez jamais le produit à un réseau d'eau froide dont la pression est égale ou supérieure à 550 kPa (80 psi).

1.4 Utilisation prévue

- Cet appareil a été conçu exclusivement pour un usage domestique. Il ne convient pas à l'usage commercial et ne doit pas être utilisé pour des besoins autres que son utilisation prévue.
- Utilisez cet appareil uniquement pour la conservation des aliments.
- Le fabricant n'assumera aucune responsabilité pour les dommages résultant d'une utilisation ou d'un transport inappropriés.

Instructions importantes en matière de sécurité et d'environnement

- Les pièces de rechange originales seront disponibles pendant 10 ans après la date d'achat du produit.

1.5 La sécurité des enfants

- S'il y a un verrou sur la porte du produit, la clé doit être gardée hors de portée des enfants.
- Ne laissez pas les enfants jouer avec le produit.



ATTENTION :

Afin de prévenir qu'un enfant ne soit emprisonné, garder hors d'atteinte des enfants et loin du congélateur ou du réfrigérateur.



AVERTISSEMENT :

Avant de mettre au rebut votre ancien réfrigérateur ou congélateur :

- Les enfants peuvent se trouver enfermés à l'intérieur.
- Démontage des portes.
- Laissez les étagères pour empêcher les enfants de pénétrer facilement à l'intérieur du produit.

1.6 Conformité avec la directive DEEE et élimination des déchets :



Ce produit est conforme à la directive européenne DEEE (2012/19 EU). Le produit possède un symbole de classification attribué aux déchets d'équipements électriques et électroniques (DEEE). Ce produit a été fabriqué à partir de pièces et

de matériaux de haute qualité qui peuvent être réutilisés et sont recyclables. Par conséquent, ne le mettez pas au rebut avec les ordures ménagères et d'autres déchets à la fin de sa durée de vie. Apportez-le à un centre de collecte pour le recyclage des équipements électriques et électroniques. Veuillez consulter les autorités locales pour connaître l'emplacement de ces centres de collecte.

1.7 Conformité à la directive RoHS :

L'appareil que vous avez acheté est conforme à la directive européenne RoHS (2011/65/EU). Il ne comporte pas de matériaux dangereux et interdits mentionnés dans la directive.

1.8 Informations sur l'emballage

- Les matériaux d'emballage de cet appareil sont fabriqués à partir de matériaux recyclables, conformément à nos réglementations nationales en matière d'environnement. Ne jetez pas les matériaux d'emballage avec les déchets domestiques normaux ou d'autres types de déchets. Apportez ces matériaux à un point de recyclage désigné par les autorités locales.

DANGER :

Risque d'incendie ou d'explosion :

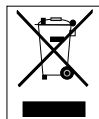
- Ce produit utilise un réfrigérant inflammable.
- N'utilisez pas de dispositifs mécaniques pour dégivrer le réfrigérateur.
- N'utilisez pas de produits chimiques pour le nettoyage.
- Ne percez pas le tuyau de réfrigérant.
- Si le tuyau de réfrigérant est percé, il doit être réparé uniquement par un personnel de service agréé.
- Veuillez consulter le manuel de réparation/utilisateur avant de nettoyer le produit. Toutes les instructions de sécurité doivent être respectées.
- Mettez le produit au rebut conformément aux réglementations fédérales ou locales.



2 Instructions environnementales

2.1 Conformité avec la directive WEEE et mise au rebut des appareils usagés :

Cet appareil est conforme à la directive WEEE de l'Union européenne (2012/19/EU). Le produit possède un symbole de classification attribué aux déchets d'équipements électriques et électroniques (WEEE).



Ce symbole indique que cet appareil ne doit pas être mis au rebut avec les ordures ménagères à la fin de sa durée de vie. Les appareils usagés doivent être retournés au point de collecte

officiel pour le recyclage des dispositifs électriques et électroniques. Pour trouver ces systèmes de collecte, veuillez contacter les autorités locales ou le détaillant à l'endroit où l'appareil a été acheté. Chaque ménage joue un rôle important dans la récupération et le recyclage des vieux appareils ménagers. La mise au rebut appropriée des appareils usagés permet de prévenir les conséquences négatives potentielles pour l'environnement et la santé humaine.

2.2 Conformité avec la Directive RoHS

Votre appareil est conforme à la directive RoHS de l'Union européenne (2011/65/EU). Il ne comporte pas de matériaux dangereux et interdits mentionnés dans la directive.

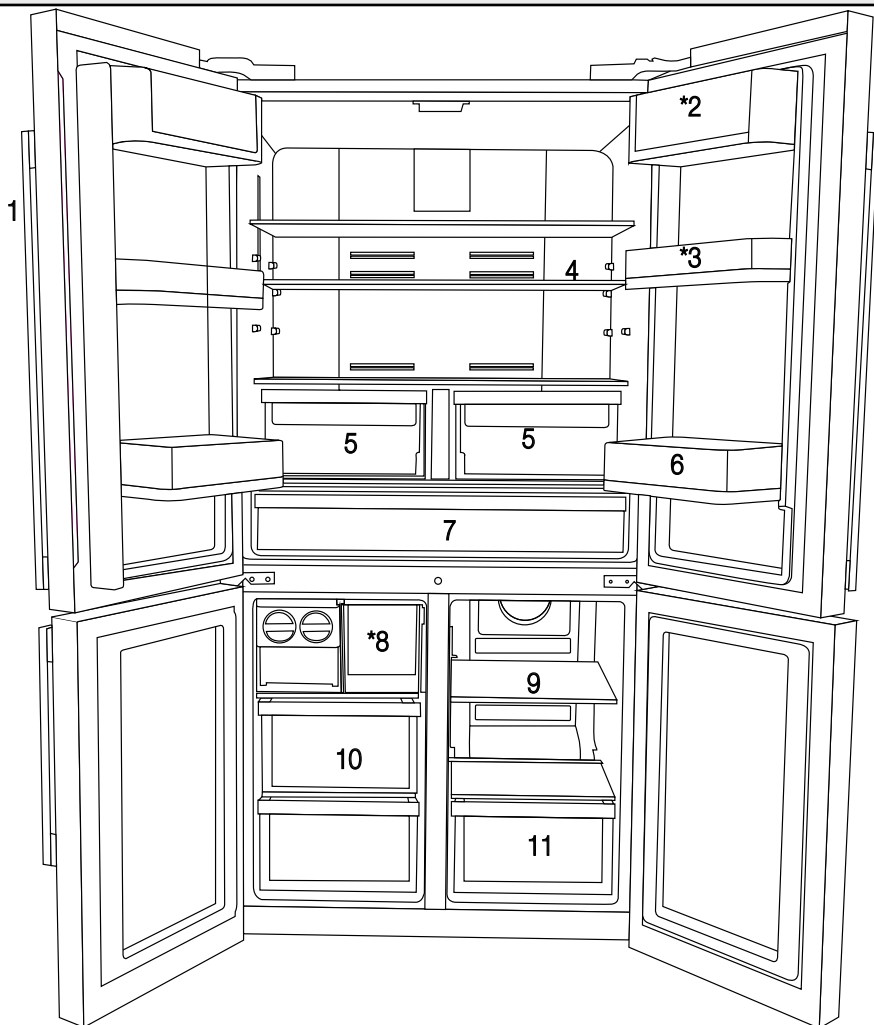
2.3 Informations sur l'emballage



Les matériaux d'emballage de cet appareil sont fabriqués à partir de matériaux recyclables, conformément à nos réglementations nationales en

matière d'environnement. Ne mettez pas les matériaux d'emballage au rebut avec les ordures ménagères et d'autres déchets. Apportez-les aux points de collecte des matériaux d'emballage désignés par les autorités locales.

3 Votre réfrigérateur



- 1- -Bandeau/Ecran de contrôle
 - 2- Balconnet pour bac à oeufs
 - 3- Balconnet ajustable de 70 mm
 - 4- Clayette en verre du compartiment réfrigérateur
 - 5- Bac à légumes du compartiment réfrigérateur
 - 6- Balconnet grande capacité
 - 7- Compartiment Zone fraîche
 - 8- Tiroir du bac à glaçons
 - 9- Clayette en verre du compartiment cave à vins
 - 10- Tiroirs du compartiment congélateur
 - 11- Tiroir du compartiment multizone
- *EN OPTION**



Les illustrations présentées dans ce manuel d'utilisation sont schématiques et peuvent ne pas correspondre exactement à votre produit. Si les pièces accessoires ne sont pas fournies avec l'appareil que vous avez acheté, elles conviennent pour d'autres modèles.

4 Installation

4.1 Emplacement approprié pour l'installation

Contactez un service autorisé pour installer l'appareil. Avant l'utilisation de l'appareil, consultez les informations contenues dans le manuel d'utilisation et assurez-vous que l'installation électrique et l'installation d'eau sont appropriées. Si tel n'est pas le cas, appelez un électricien ou un technicien qualifié afin qu'il effectue les réglages nécessaires.



AVERTISSEMENT : Le fabricant ne saurait être tenu responsable de tout dommage résultant de la prise en charge de ces procédures par des personnes non autorisées.



AVERTISSEMENT : Ne branchez pas l'appareil pendant son installation. Sinon, cela pourrait entraîner la mort ou une blessure grave !



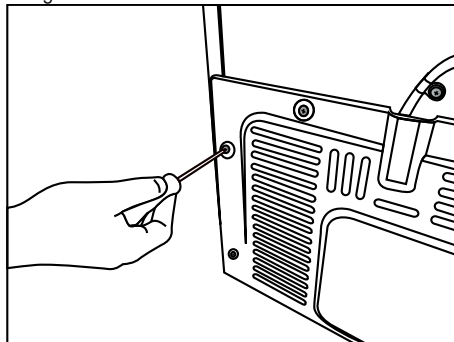
AVERTISSEMENT : Si la porte d'entrée de la pièce où sera installé le réfrigérateur n'est pas assez large pour l'y introduire, retirez la porte et faites passer l'appareil latéralement ; s'il n'entre pas, contactez le service agréé.

- Posez le réfrigérateur sur un sol de surface nivelée afin que le produit soit stable.
- Installez l'appareil à 30 cm minimum des sources de chaleur telles que les plaques de cuisson, les faisceaux de chaufferette et les réchauds, et à 5 cm minimum des fours électriques.
- L'appareil ne doit pas être exposé à la lumière directe du soleil ou placé dans un endroit humide.
- Une ventilation d'air doit être aménagée autour du réfrigérateur pour obtenir un fonctionnement efficace. Si vous avez l'intention de poser l'appareil dans un renfoncement, assurez-vous de laisser au moins 5 cm de distance entre le plafond et les parois latérales.
- N'installez pas le produit dans des endroits où la température est inférieure à -5 °C.

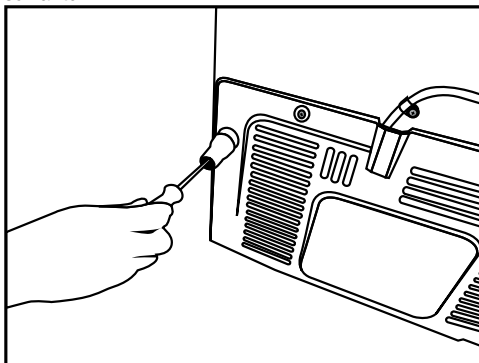
4.2 Installation des cales en plastique

Les cales en plastique fournies à la livraison permettent de créer une distance afin que l'air circule entre l'appareil et le mur arrière.

1. Pour installer les cales, retirez les vis du réfrigérateur et utilisez celles fournies avec les cales.



2. Insérez les 2 cales en plastique sur le couvercle de la ventilation arrière, tel qu'illustré dans la figure suivante.

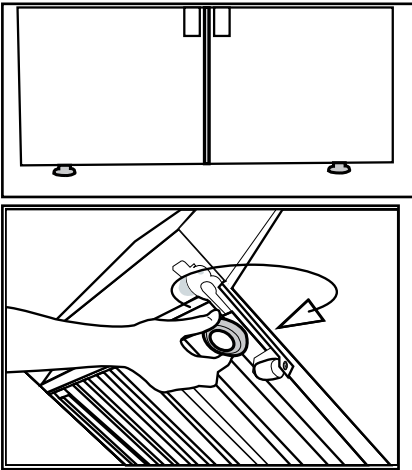


4.3.* Réglage des pieds

Si après l'installation l'appareil est en déséquilibre, ajustez les pieds avant en les tournant vers la droite ou vers la gauche.

Si votre appareil ne possède pas de compartiment à vin ou de porte en verre, alors ses supports sont fixes et non réglables.

Installation



Pour le réglage vertical des portes,

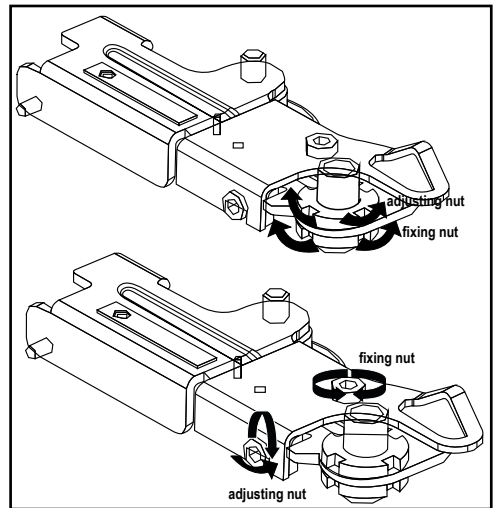
Desserrez l'écrou de fixation situé dans la partie inférieure.

Tournez l'écrou de réglage en fonction de la position de la porte (sens horaire ou antihoraire). Serrez l'écrou de fixation pour maintenir la position.

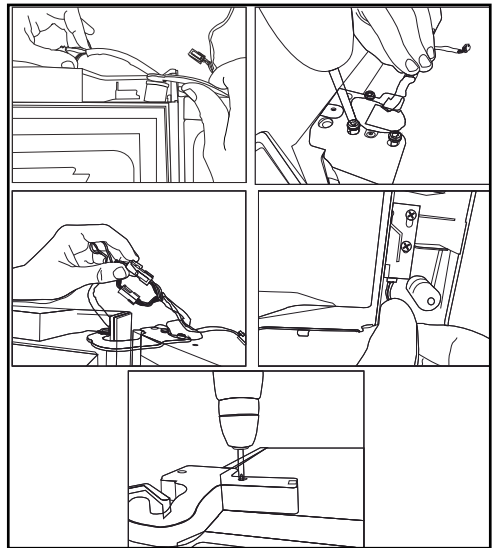
Pour le réglage horizontal des portes,

Desserrez l'écrou de fixation situé dans la partie supérieure.

Tournez l'écrou de réglage latéral en fonction de la position de la porte (sens horaire ou antihoraire). Serrez l'écrou de fixation situé dans la partie supérieure pour maintenir la position.



- Fixez la charnière supérieure à l'aide de 3 vis
- Fixez ensuite les caches après l'installation des supports
- Serrez alors les caches à l'aide de 2 vis.



Installation




4.4. Branchement électrique

	AVERTISSEMENT : Ne réalisez pas de branchements en utilisant des rallonges ou des multiprises.
	AVERTISSEMENT : Les câbles d'alimentation endommagés doivent être remplacés par des prestataires de services agréés.
	Si deux réfrigérateurs sont installés côte à côte, laissez une distance minimale de 4 cm entre les deux.

- Nous ne sommes en aucun cas responsables de tout dommage lié à l'utilisation de l'appareil avec une mise à la terre et un branchement électrique non conformes à la réglementation locale.
- La fiche du câble d'alimentation doit être facilement accessible après l'installation.
- N'utilisez pas des rallonges ou des fiches multiples sans câble d'extension entre la prise murale et le réfrigérateur.

4.5 Arrivée d'eau

Selon le modèle du réfrigérateur, vous pouvez le raccorder à une bonbonne ou aux conduites d'eau. Vous devez d'abord connecter le tuyau d'arrivée d'eau au réfrigérateur.

	Si vous utilisez une bonbonne, utilisez également une pompe distincte.
	AVERTISSEMENT : Assurez-vous que le réfrigérateur et la pompe, le cas échéant, sont débranchés pendant les branchements.
	Il est possible que les pièces suivantes ne soient pas fournies avec votre appareil puisqu'elles ne sont pas nécessaires lorsque vous utilisez une bonbonne.

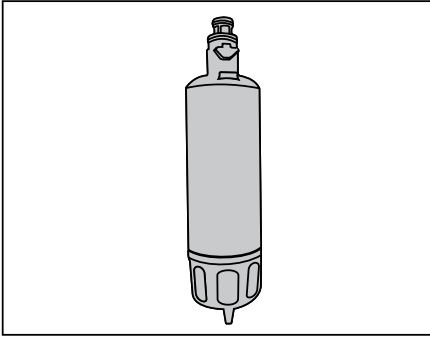
Vérifiez que les pièces suivantes ont été livrées en même temps que l'appareil :

• Filtre à eau externe. (Si vous avez une bonbonne, il n'est pas nécessaire d'utiliser un filtre à eau.)

4.5.1 Avant l'installation

Assurez-vous prendre toutes les précautions nécessaires pour garantir une bonne installation avant d'utiliser l'appareil, notamment :

• Votre appareil est fourni avec un filtre à eau interne prévu pour être utilisé à l'intérieur du réfrigérateur. Le numéro de référence du filtre est 4918450200. Utilisez ce numéro lors de la commande des filtres de rechange.



4.6 Raccordement du tuyau d'arrivée d'eau au réfrigérateur

1. Faites glisser le raccord union (B) dans le tuyau d'arrivée d'eau (A).
2. Poussez fermement le tuyau d'arrivée d'eau vers le bas afin qu'il glisse à l'intérieur de la vanne d'arrivée d'eau (C).
3. Serrez manuellement le raccord union (C) afin qu'il soit correctement fixé à la vanne d'arrivée d'eau.



En principe, vous ne devez pas serrer le raccord union à l'aide d'un outil. Cependant, vous pouvez utiliser une clé ou des pinces pour le serrer en cas de fuite.

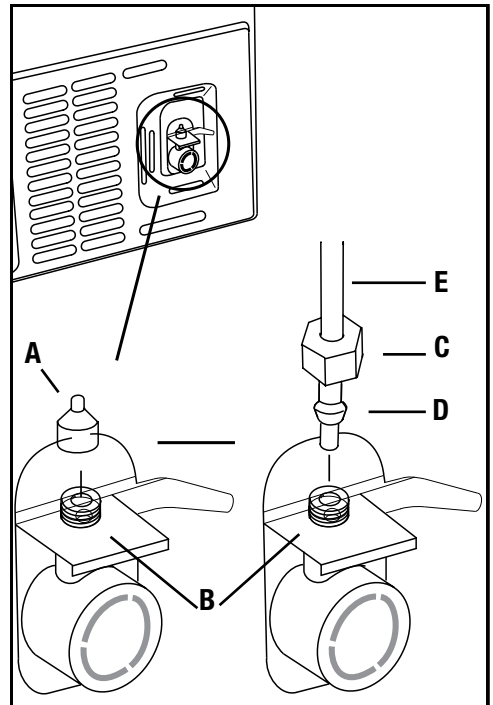
4.7 Raccordement de la conduite d'eau à l'alimentation en eau

Connecter la conduite d'eau au robinet d'alimentation en eau. Si ce robinet est absent de votre appareil ou si vous n'en êtes pas sûr, contactez un plombier qualifié.

4.8 Filtre à eau

(pour certains modèles)

Votre réfrigérateur peut être équipé d'un filtre externe ou interne, selon le modèle. Pour installer le filtre à eau, suivez les instructions ci-dessous, renvoyant aux schémas fournis :



5 Préparation

5.1 Mesures d'économie d'énergie



Il est dangereux de brancher votre réfrigérateur aux systèmes électriques d'économie d'énergie, car ils pourraient l'endommager.

- Ne laissez pas les portes du réfrigérateur ouvertes pendant une durée prolongée.
- N'introduisez pas de denrées ou de boissons chaudes dans le réfrigérateur.
- Ne surchargez pas le réfrigérateur. La capacité de refroidissement diminue lorsque la circulation de l'air à l'intérieur du réfrigérateur est entravée.
- Ne placez pas le réfrigérateur à des endroits exposés à la lumière directe du soleil. Installez l'appareil à 30 cm minimum des sources de chaleur telles que les plaques de cuisson, les fours, les faisceaux de chauffe-électrique et les réchauds, et à 5 cm minimum des fours électriques.
- Veillez à conserver les aliments se trouvant dans le réfrigérateur dans des récipients fermés.
- Pour conserver le maximum d'aliments dans le compartiment congélateur de votre réfrigérateur, enlevez l'étagère supérieure et placez-la au-dessus de la clayette en verre. La consommation en énergie prévue pour votre réfrigérateur a été déterminée après retrait du bac à glaçons et les tiroirs supérieurs afin de permettre un chargement maximum. Il est fortement recommandé d'utiliser les tiroirs inférieurs des compartiments congélateur et multizone lors du chargement.
- La circulation d'air ne doit pas être bloquée par les aliments placés devant le ventilateur du compartiment multizone. Laissez un espace minimum de 5 cm devant la grille de protection du ventilateur, lors du chargement des aliments.
- La décongélation des aliments congelés dans le compartiment réfrigérateur permet de faire des économies d'énergie et de préserver la qualité des aliments.



La température ambiante de la pièce dans laquelle vous installez le réfrigérateur doit être au minimum de 10 °C / 50 °F. Pour des raisons d'efficacité, il n'est pas recommandé de faire fonctionner votre réfrigérateur dans des conditions plus froides.



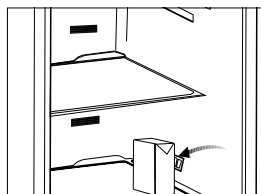
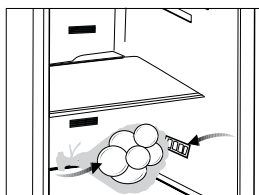
Nettoyez soigneusement l'intérieur du réfrigérateur.



Si deux réfrigérateurs sont installés côte à côte, laissez une distance minimale de 4 cm entre les deux.

5.2 Recommandations relatives au compartiment des aliments frais

- Assurez-vous que les aliments ne touchent pas le capteur de température dans le compartiment des produits frais. Pour que le compartiment des produits frais conserve sa température idéale, le capteur ne doit pas être encombré par des aliments.
- Évitez d'introduire les aliments chauds ou les boissons chaudes dans le réfrigérateur.



5.3 Première utilisation

Avant d'utiliser cet appareil, rassurez-vous que toutes les préparations sont effectuées conformément aux instructions contenues dans les chapitres « Instructions importantes en matière de sécurité et d'environnement » et « Installation ».

- Nettoyez l'intérieur du réfrigérateur comme indiqué dans la section « Entretien et nettoyage ». Avant de démarrer le réfrigérateur, assurez-vous que l'intérieur est sec.
- Branchez le réfrigérateur à une prise de terre. L'éclairage intérieur s'active lorsque vous ouvrez la porte du réfrigérateur.
- Faites fonctionner le réfrigérateur pendant 6 heures sans y introduire d'aliments et n'ouvrez pas la porte à moins que ce soit nécessaire.



Vous entendrez un bruit au démarrage du compresseur. Les liquides et les gaz intégrés au système du réfrigérateur peuvent également faire du bruit, même lorsque le compresseur n'est pas en marche. Ceci est tout à fait normal.

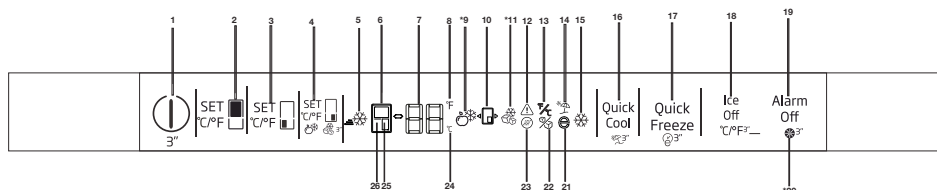


Les extrémités avant du réfrigérateur peuvent chauffer. C'est normal. Ces zones doivent en principe être chaudes pour éviter tout risque de condensation.

6 Fonctionnement de l'appareil

6.1 Panneau de commande

Le panneau de commande tactile vous permet de régler la température et de contrôler les autres fonctions liées à l'appareil sans ouvrir la porte du réfrigérateur. Appuyez simplement sur la touche correspondante pour le réglage des fonctions.



1-Fonction On/Off (Marche/Arrêt)

Appuyer sur la touche On/Off (Marche/Arrêt) pendant 3 secondes pour mettre le réfrigérateur en ou hors service.

2. Bouton de fonction de congélation rapide

Appuyer sur ce bouton pour activer ou désactiver la fonction de congélation rapide. Lorsque la fonction a été activée, le compartiment de congélateur refroidit à une température inférieure à la valeur réglée.



Utiliser la fonction de congélation rapide pour congeler rapidement les aliments placés dans le compartiment de congélateur. Pour congeler de grandes quantités d'aliments, nous recommandons d'activer cette fonction avant de les placer dans l'appareil.



Sauf annulation, la fonction de congélation sera terminée au plus tard au bout de 4 heures ou lorsque le compartiment de réfrigérateur atteint la température souhaitée.



Cette fonction n'est pas réactivée lorsque le courant est rétabli après une panne de courant.

3. Sélectionner le bouton

Utiliser ce bouton pour sélectionner la cabine dont la température doit être changée. Commuter entre



les cabines en appuyant sur ce bouton. La cabine sélectionnée est identifiée au moyen des icônes de cabine (6, 24, 25). Quelle que soit la cabine dont l'alimentation est activée, la cabine dont la valeur de température réglée doit être modifiée est sélectionnée. Ensuite, la valeur réglée peut être modifiée en appuyant sur le bouton de réglage de la valeur de température (4).

4. Réglage de la température / Baisse de la température

Appuyer sur ce bouton baisse la température du compartiment sélectionné.

5-Voyant Quick Freeze (Congélation rapide)

Cet icône s'allume lorsque la fonction de congélation rapide est active.

6. Indicateur du compartiment de réfrigérateur

Lorsque cet indicateur est allumé, la température dans le compartiment de réfrigérateur est affichée sur l'indicateur de valeur de température. Le compartiment de réfrigérateur peut être réglé sur 8, 7, 6, 5, 4, 3, 2 ou 1°C / 46, 45, 44, 43, 42, 41, 40, 39, 38, 37, 36, 35, 34 ou 33°F en appuyant sur le bouton de réglage de la température (4).

7. Indicateur de valeur de température

Affiche la valeur de température du compartiment sélectionné.

8. Indicateur Fahrenheit

Il s'agit de l'indicateur Fahrenheit. Lorsque

Fonctionnement de l'appareil

l'indicateur Fahrenheit est activé, les valeurs de réglage de la température s'affichent en degrés Fahrenheit et l'icône correspondant s'allume.

9. Icône de réfrigérateur joker

La sélection de l'icône de réfrigérateur joker avec le bouton FN (16) et une pression du bouton OK (17) transforment la cabine joker en une cabine de réfrigérateur qui fonctionne comme un refroidisseur.

10. Icône de cabine joker

L'icône de cabine joker est présentée.

11. Icône de congélateur joker

La sélection de l'icône de congélateur joker avec le bouton FN (16) et une pression du bouton OK (17) transforment la cabine joker en une cabine de congélateur qui fonctionne comme un congélateur.

12. Avertissement de panne d'électricité / température élevée / erreur

Ce voyant s'allume en cas de coupure d'électricité, de défauts de température élevée et d'avertissements d'erreur. En cas de panne de courant prolongée, la température maximale du compartiment congélateur s'affiche sur l'écran numérique. Après le contrôle des aliments dans le compartiment congélateur, appuyer sur le bouton de désactivation de l'alarme (19) pour acquitter l'avertissement.

13. Réglage de l'indicateur Celsius et Fahrenheit

Aller sur cette touche en utilisant la touche FN et sélectionner Fahrenheit ou Celsius avec la touche OK. Lorsque l'unité de température correcte est sélectionnée, le voyant Fahrenheit ou Celsius s'allume.

14. Icône de fonction de vacances

Appuyer sur la touche FN (jusqu'à ce qu'elle atteigne l'icône de parapluie) pour activer la fonction de vacances. Lorsque le curseur est sur l'icône de fonction de vacances, ce dernier commence à clignoter. Cela permet de comprendre si la fonction de vacances est activée ou désactivée. Appuyer sur le bouton OK active la fonction vacances et le voyant est allumé en continu. Appuyer sur la touche OK pour annuler la

fonction de vacances. Ainsi, le voyant de fonction de vacances commencera à clignoter et la fonction de vacances sera annulée.

15. Voyant de la fonction de refroidissement rapide

Ce voyant s'allume lorsque la fonction de réfrigération rapide est activée.

16. Bouton FN

Utiliser cette touche permet de commuter entre les fonctions à sélectionner. Appuyer sur cette touche active ou désactive l'icône dont la fonction est requise et l'indicateur de l'icône commence à clignoter. Le bouton FN est désactivé s'il n'est pas actionné pendant 20 secondes. Appuyer une nouvelle fois sur ce bouton pour changer une nouvelle fois de fonction.

17. Bouton OK

Après avoir navigué parmi les fonctions en utilisant le bouton FN, le voyant clignote lorsque la fonction est annulée au moyen du bouton OK. Lorsque la fonction est activée, elle reste allumée. Le voyant continue de clignoter pour montrer l'icône qui est allumé.

18. Bouton de fonction de refroidissement rapide

Ce bouton est doté de deux fonctions. Appuyer brièvement sur ce bouton pour activer ou désactiver la fonction de refroidissement rapide. L'indicateur de refroidissement rapide s'éteint et l'appareil retourne à son réglage normal.

19. Avertissement d'alarme désactivée

En cas de panne de courant / d'alarme de température élevée, appuyer sur le bouton de désactivation de l'alarme pour acquitter l'icône d'avertissement de température élevée (12) après avoir vérifié les aliments dans le compartiment de congélateur.

20. Réinitialisation du filtre

Le filtre est réinitialisé lorsque le bouton d'arrêt d'alarme (19) est actionné pendant 3 secondes. L'icône de réinitialisation de filtre s'éteint.

Fonctionnement de l'appareil

21. Icône de fonction eco fuzzy

Appuyer sur la touche FN (jusqu'à ce qu'elle atteigne l'icône de lettre e) pour activer la fonction eco fuzzy. Lorsque le curseur est sur l'icône eco fuzzy, ce dernier commence à clignoter. Cela permet de comprendre si la fonction eco fuzzy est activée ou désactivée. Une pression sur le bouton OK allume l'icône de fonction eco fuzzy en continu pendant ce processus. Si aucun bouton n'est actionné au bout de 20 secondes, l'icône reste allumée. Ainsi, la fonction eco fuzzy est activée. Pour annuler la fonction eco fuzzy, revenir une nouvelle fois sur l'icône et appuyer sur la touche OK. Ainsi, l'icône de fonction eco fuzzy commencera à clignoter. Ne pas appuyer sur un bouton pendant 20 secondes, l'icône s'éteindra et la fonction eco fuzzy sera arrêtée.

22. Icône d'arrêt de la machine à glaçons

Appuyer sur la touche FN (jusqu'à ce qu'elle atteigne l'icône de glaçon) pour arrêter la machine à glaçons. L'icône de l'arrêt de la machine à glaçons commence à clignoter en passant dessus, ainsi il est possible de comprendre si la machine à glaçons sera mise en ou hors service. Une pression sur le bouton OK allume l'icône de machine à glaçons en continu pendant ce processus. Si aucun bouton n'est actionné au bout de 20 secondes, l'icône et le voyant restent allumés. Ainsi, la machine à glaçons est mise hors service. Pour remettre la machine à glaçons en service, repasser sur l'icône. L'icône de la machine à glaçons commencera à clignoter. Une pression sur le bouton OK éteindra l'icône et de ce fait la machine à glaçons sera remise en service.



Indique si le distributeur de glaçons est en ou hors service.



L'arrivée d'eau du réservoir d'eau est coupée lorsque cette fonction est sélectionnée. Toutefois, les glaçons déjà formés peuvent être retirés du distributeur.

23. Icône de réinitialisation du filtre

Cet icône s'allume lorsque le filtre doit être réinitialisé.

24. Indicateur Celsius

Il s'agit de l'indicateur Celsius. Lorsque l'indicateur Celsius est activé, les valeurs de réglage de la température s'affichent en degrés Celsius et l'icône correspondant s'allume.

25. Indicateur du compartiment Joker

Lorsque cet indicateur est actif, la température du compartiment joker est affichée sur l'indicateur de valeur de température. Les valeurs réglées du compartiment joker changent en actionnant le bouton de réglage de la température (4).

26. Indicateur du compartiment de congélateur

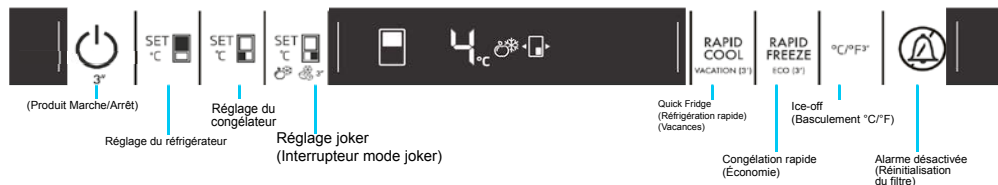
Lorsque cet indicateur est allumé, la température dans le compartiment de congélateur est affichée sur l'indicateur de valeur de température. Le compartiment de congélateur peut être réglé sur -15, -16, -18, -19, -20, -21 et 22 °C / 5, 3, 0, -1, -2, -3, -4, -5, -6, -7 et -8 °F en appuyant sur le bouton de réglage de la température (4).

Fonctionnement de l'appareil

6.2 PANNEAU DE COMMANDE U4 DE L'ÉCRAN FOREVER 4K

ACTIVATION DU COMPTEUR DE FILTRE

Le panneau d'affichage que nous utilisons dans le réfrigérateur dispose d'un système à huit touches. Les valeurs réglées sont indiquées dans l'écran.



Étape 1 : Après la mise sous tension, appuyez sur les touches Produit Marche/Arrêt et Alarme désactivée pendant 3 secondes à tout moment pour passer à l'écran de saisie du mot de passe.



Appuyez deux fois.



Appuyez une fois.



Fonctionnement de l'appareil

Après que l'écran PS 0 soit à nouveau affiché, l'alimentation du réfrigérateur est coupée et puis rallumée. Le compteur de filtres s'active. Le voyant d'avertissement de changement de filtre s'allume sur l'écran après 130 jours. Appuyez sur le bouton de désactivation de l'alarme pendant 3 secondes une fois que vous avez remplacé le filtre pour que le compteur de filtres commence à décompter 130 jours.

Répétez les étapes décrites ci-dessus pour annuler cette fonction.



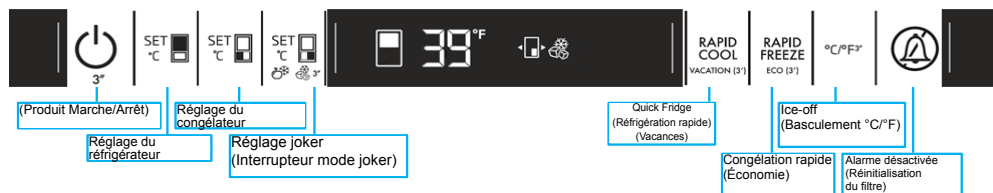
REMARQUE : Cette fonction doit être déclenchée et activée manuellement par le client. Si l'utilisateur ne souhaite pas utiliser à nouveau cette fonction, il ne doit pas la réactiver après que le voyant d'avertissement ait été éteint.

Fonctionnement de l'appareil

6.3 PANNEAU DE COMMANDE U4 DE L'ÉCRAN FOREVER 4K

ACTIVATION/DÉSACTIVATION DE LA FONCTION ICE-OFF

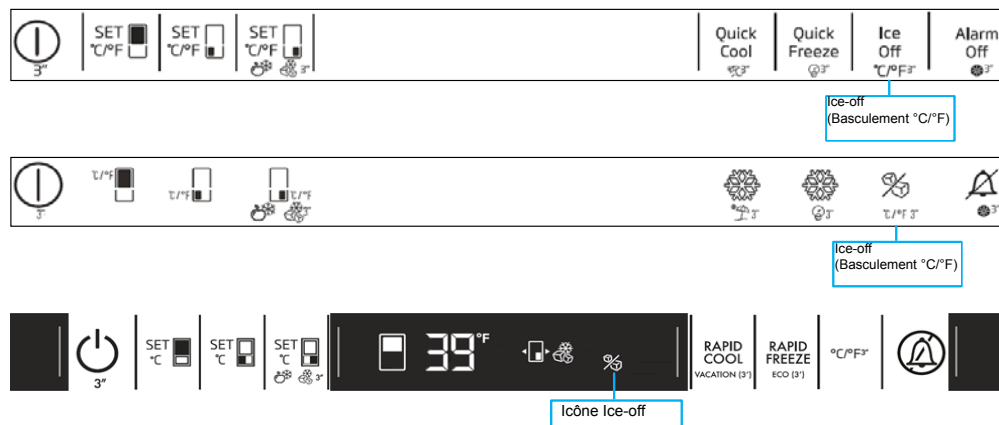
Le panneau d'affichage que nous utilisons dans le réfrigérateur dispose d'un système à huit touches. Les valeurs réglées sont indiquées dans l'écran.



*(pression pendant 3 secondes)

Étape 1 : La fonction Ice-off est activée en appuyant sur la touche Ice-off/ °C /°F pendant 3 secondes à tout moment après la mise sous tension.

L'icône Ice-off s'allume à l'écran et la formation de glace s'arrête.



Lorsque vous appuyez sur la touche Ice-off/ °C /°F alors que l'icône Ice-off est allumée, la fonction Ice-off est désactivée.

L'icône Ice-off s'éteint sur l'écran et la formation de glace commence.

6.4 Congélation des aliments frais

- Pour préserver la qualité des aliments, il faut les congeler aussi rapidement que possible lorsqu'ils sont placés dans le compartiment congélateur, pour cela, utilisez la fonction de congélation rapide.
- Vous pouvez conserver les aliments plus longtemps dans le compartiment congélateur en les congelant lorsqu'ils sont frais.
- Emballez les aliments à congeler et fermez les emballages pour éviter l'infiltration d'air.
- Assurez-vous d'emballer vos aliments avant de les mettre dans le congélateur. Utilisez des récipients pour congélateur, du papier aluminium et du papier résistant à l'humidité, des sacs en plastique et d'autres matériels d'emballage au lieu d'un papier d'emballage ordinaire.
- Étiquetez chaque emballage d'aliments en ajoutant la date avant la congélation. De cette manière, vous pouvez distinguer la fraîcheur de chaque emballage alimentaire chaque fois que vous ouvrez votre congélateur. Rangez les aliments congelés les plus anciens à l'avant du compartiment pour vous assurer qu'ils soient utilisés en premier.
- Consommez immédiatement les aliments congelés après la décongélation et évitez de les recongeler.
- Ne congelez pas une quantité trop importante à la fois.

6.5 Recommandations relatives à la conservation des aliments congelés

Le compartiment doit être réglé à au moins -18°C/ 0°F

1. Rangez les paquets dans le congélateur aussi rapidement que possible après achat en évitant la décongélation.
2. Vérifiez la date de péremption figurant sur l'emballage après les mentions « à consommer avant le » et « à consommer de préférence avant le » avant de le congeler.
3. Assurez-vous que l'emballage alimentaire n'est pas endommagé.

6.6 Informations concernant la congélation

Conformément aux normes CEI 62552, le réfrigérateur congèle au moins 4,5 kg d'aliments par volume de 100 litres de congélation en moins de 24 heures, à une température ambiante de 25°C/ 77°F et une température intérieure inférieure ou égale à -18°C / 0°F.

Il n'est possible de conserver des denrées sur de longues périodes qu'avec des températures inférieures ou égales à -18°C / 0°F.

Vous pouvez conserver la fraîcheur de vos denrées pendant plusieurs mois (à des températures inférieures ou égales à -18°C / 0°F dans le surgélateur).

Ne laissez pas les aliments à congeler entrer en contact avec les aliments déjà congelés pour éviter la décongélation partielle de ces derniers.

Faites bouillir les légumes, puis égouttez-les pour les conserver plus longtemps après congélation.

Après avoir égoutté les légumes, mettez-les dans des emballages étanches à l'air et rangez-les dans le congélateur. La congélation d'aliments tels que les bananes, les tomates, la laitue, le céleri, les œufs bouillis et les pommes de terre est déconseillée. Lorsque ces aliments sont congelés, seuls leurs valeurs nutritionnelles et leur goût sont affectés négativement. Ils ne doivent pas être avariés au risque d'entraîner des risques pour la santé humaine.

Fonctionnement de l'appareil

Réglage du compartiment congélateur	Réglage du compartiment réfrigérateur	Remarques
-18°C/ 0°F	4°C/ 39°F	Voici le réglage normal recommandé.
-20, -22 or -4,-8	4°C/ 39°F	Ces réglages sont recommandés lorsque la température ambiante dépasse 30 °C/ 86°F.
Congélation rapide	4°C/ 39°F	Cet indicateur est utilisé lorsque vous voulez congeler vos denrées pendant une courte période. Le réfrigérateur retourne à son mode de fonctionnement précédent lorsque le processus est achevé.
Inférieure ou égale à -18°C/ 0°F	2°C/35°F	Utilisez ce réglage si vous estimez que le compartiment réfrigérateur n'est pas assez froid à cause de la chaleur ou de l'ouverture et la fermeture fréquentes de la porte.

Température de fonctionnement recommandée : FF : 4 °C/39 °F Frz : - 18 °C/0 °F

6.7 Disposition des aliments

Balconnets du compartiment congélateur	Différents aliments congelés comme de la viande, du poisson, des crèmes glacées, des légumes, etc.
Balconnets du compartiment réfrigérateur.	Aliments dans des casseroles, assiettes couvertes et récipients fermés, œufs (dans un récipient fermé)
Balconnets de la porte du compartiment réfrigérateur	Aliments emballés et de petite taille ou boissons
Bac à légumes	Fruits et légumes
Compartiment Produits frais	Épicerie fine (aliments pour petit déjeuner, produits carnés à consommer à court terme)

6.8 Avertissement - Porte ouverte

(Cette caractéristique est en option)

Un signal d'avertissement sonore retentit lorsque la porte du réfrigérateur reste ouverte pendant 1 minute. Cet avertissement s'arrête en refermant la porte ou en appuyant sur n'importe quel bouton de l'affichage.

6.9 Eclairage LED

L'éclairage intérieur utilise une lampe de type LED. Contactez le service agréé pour tout problème lié à cette lampe.

La lampe utilisée dans cet appareil n'est pas adaptée pour l'éclairage des pièces de la maison. Le but visé par cette lampe est d'aider l'utilisateur à placer les aliments dans le réfrigérateur/ congélateur d'une manière sûre et confortable.

Fonctionnement de l'appareil

6.10 Compartiment Zone fraîcheur

Les compartiments zone fraîcheur vous permettent de conserver vos aliments fragiles (viande, poisson, fromage, charcuterie) à une température quelque peu inférieure à celle du compartiment réfrigérateur.

Vous pouvez augmenter le volume interne de votre réfrigérateur en enlevant le compartiment Zone fraîche souhaité.

1. Poussez le compartiment vers vous jusqu'à ce qu'il s'arrête.
2. Soulevez ce compartiment d'environ 1 cm et poussez-le vers vous pour l'enlever de son support.

6.11 Bac à légumes

Le bac à légumes du réfrigérateur a été spécialement conçu pour vous aider à conserver vos denrées au frais sans que celles-ci n'aient à perdre de leur humidité. C'est pourquoi en général, l'air frais circule davantage tout autour du bac à légumes. Enlevez les balconnets de porte alignés contre le bac à légumes avant d'enlever le bac à légumes.

6.12 Bac à humidité contrôlée

(EverFresh+)

(Cette caractéristique est en option)

Le taux d'humidité des fruits et des légumes est maintenu sous contrôle grâce au bac à humidité contrôlée. Vous avez ainsi la garantie que vos produits restent frais plus longtemps.

Nous vous recommandons de placer les légumes à feuilles tels que la laitue, les épinards et les légumes sensibles à la perte d'humidité dans une position aussi horizontale que possible, lorsque vous les mettez dans le bac à légumes ; évitez de les poser sur leurs racines.

Une fois les légumes replacés dans le bac, il faut prendre en considération leur poids spécifique.

Les légumes lourds et durs doivent être posés au fond du bac, tandis que les plus légers et tendres seront placés au-dessus.

Retirez toujours les légumes du bac de leurs sacs en plastique. Lorsqu'ils restent dans leurs sacs en plastique, ils pourrissent rapidement. Si vous souhaitez éviter tout contact entre les légumes pour des raisons d'hygiène, utilisez du papier perforé ou un matériel similaire au lieu des papiers plastiques.

Ne mélangez pas les poires, les abricots, les pêches, etc., en particulier les fruits qui produisent de grandes quantités d'éthylène, dans le même bac avec d'autres fruits et légumes. Le gaz d'éthylène émis par ces fruits peut accélérer la détérioration et la décomposition des autres en très peu de temps.

6.13 Casier à œufs

Vous pouvez installer le support à œufs sur un balconnet de la porte ou de l'intérieur de votre choix.

Ne placez jamais le support à œufs dans le compartiment congélateur.

6.14 Section centrale modulable

La section modulable centrale est destinée à empêcher l'air froid à l'intérieur du réfrigérateur de s'en échapper.

1- Cette section permet de joindre et sceller les portes du compartiment réfrigérateur lorsque celles-ci sont fermées.

2- En outre, l'adoption d'une section centrale modulable permet d'augmenter le volume net du compartiment réfrigérateur. Les sections centrales standard situées à l'intérieur du produit.

3-La section centrale modulable est fermée lorsque la porte gauche du compartiment réfrigérateur est ouverte.

4-Vous ne devez pas l'ouvrir manuellement. Elle se déplace sous le contrôle des pièces en plastique de la carrosserie lorsque la porte est fermée.



6.15 Compartiment de conservation Cool Control

Le compartiment de conservation Cool Control de votre réfrigérateur peut être utilisé dans n'importe quel mode en le réglant sur les températures du réfrigérateur (2/4/6/8°C / 34, 43, 44,46°F) ou du congélateur (-18/-20/-22/-24°C/ 0,-4,-8,-12°F). Vous pouvez maintenir le compartiment à la température désirée avec le bouton de réglage de la température du compartiment de conservation Cool Control. La température du compartiment de conservation Cool Control peut être réglée entre 0 et 10 degrés en plus des températures du compartiment du réfrigérateur et à -6 degrés en plus des températures du compartiment congélateur. « 0 » degré est utilisé pour conserver les produits laitiers plus longtemps, -6 degrés est utilisé pour conserver les viandes jusqu'à 2 semaines dans un état permettant une découpe facile.

La fonction de passage à un compartiment réfrigérateur ou congélateur est possible grâce à un élément réfrigérant situé dans la section fermée (compartiment du compresseur) à l'arrière du réfrigérateur. Pendant le fonctionnement de cet élément, vous pouvez écouter des bruits similaires à ceux provenant d'une horloge analogique. Ce phénomène est tout à fait normal et ne constitue nullement un dysfonctionnement.

6.16 Bluelight

(Cette caractéristique est en option)

Les bacs à légumes du réfrigérateur sont éclairés par un voyant lumineux bleu. Les denrées alimentaires conservées dans les bacs à légumes continuent leur photosynthèse grâce aux effets de sa longueur d'onde et conservent ainsi leur fraîcheur et leur teneur en vitamines plus longtemps.

6.17 Filtre anti-odeurs

Le filtre anti-odeurs placé dans le conduit d'aération du compartiment réfrigérateur empêche la formation d'odeurs désagréables dans l'appareil.

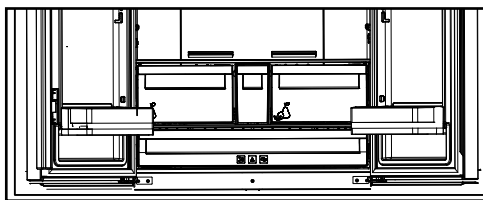
Fonctionnement de l'appareil

6.18 Distributeur de glaçons

(pour certains modèles)

Pour obtenir des glaçons grâce à cette machine, remplissez le réservoir d'eau du compartiment réfrigérateur jusqu'au niveau maximum.

Après environ 15 jours, les glaçons se trouvant à l'intérieur du tiroir à glace peuvent se coller les uns aux autres et former un bloc en raison de l'air chaud et humide. Ce phénomène est normal. Si vous ne parvenez pas à briser le bloc, videz les récipients à glaçons et fabriquez à nouveau des glaçons.



Il est recommandé de changer l'eau du réservoir d'eau si elle y est restée pendant plus de 2 à 3 semaines.



Les bruits étranges provenant du réfrigérateur à 120 minutes d'intervalles sont des sons émis pendant la fabrication et la distribution de glaçons. Ce phénomène est normal.

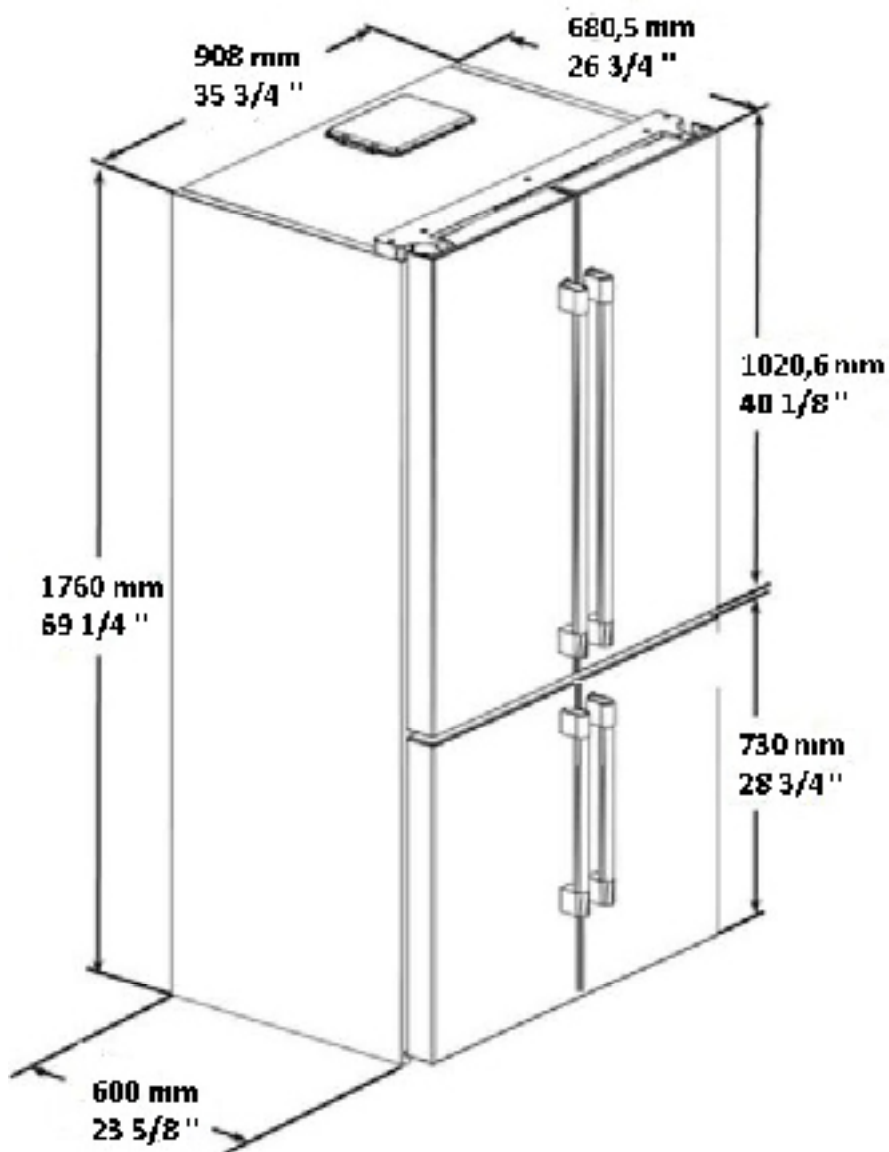


Si vous ne souhaitez plus fabriquer des glaçons, appuyez sur l'icône Ice off pour arrêter le distributeur de glaçons afin d'économiser de l'énergie et prolonger la durée de vie de votre réfrigérateur.

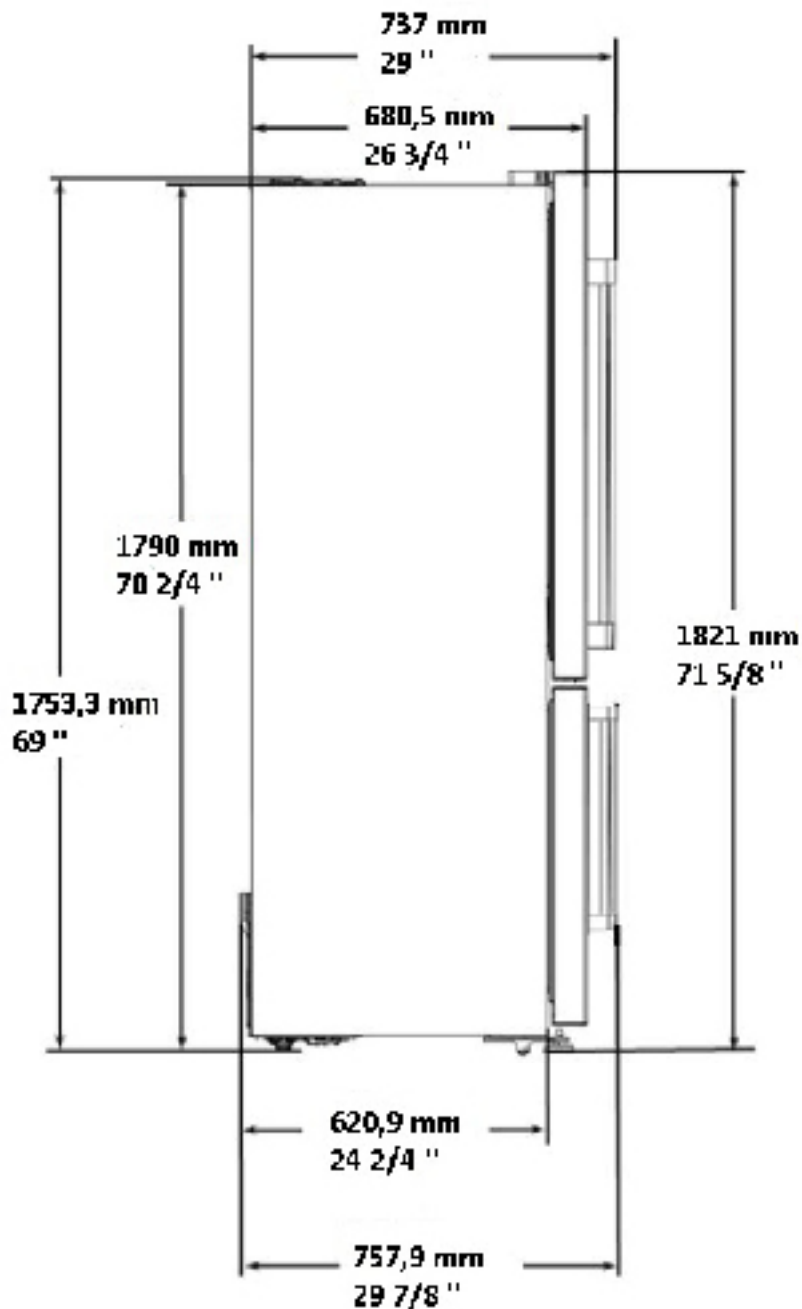


Il est tout à fait normal que quelques gouttes d'eau s'écoulent du distributeur après le retrait de l'eau.

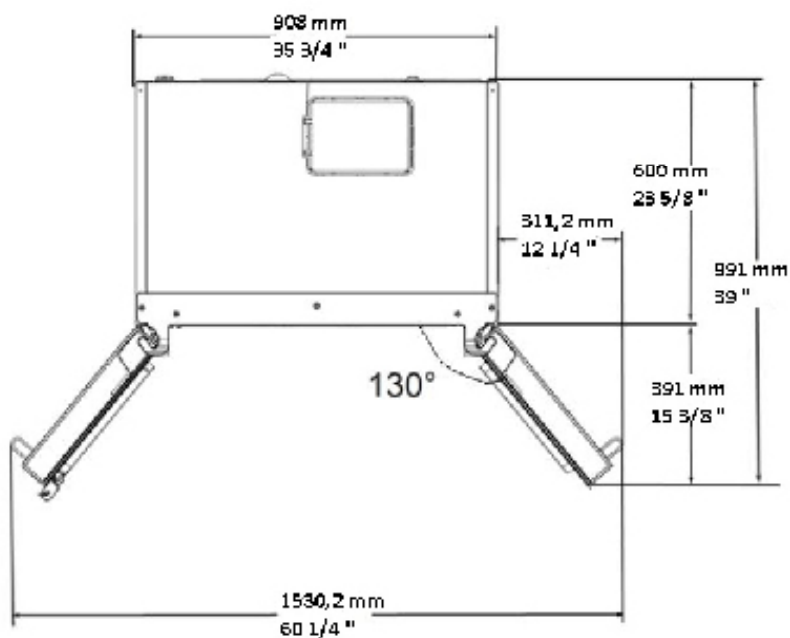
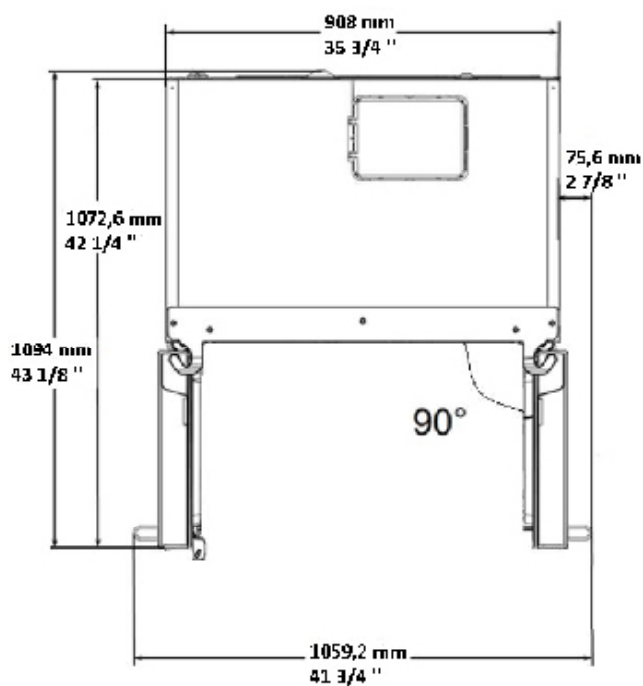
Fonctionnement de l'appareil



Fonctionnement de l'appareil



Fonctionnement de l'appareil



7. Entretien et nettoyage

Le nettoyage régulier du produit prolonge sa durée de vie.



AVERTISSEMENT: Débranchez l'alimentation avant de nettoyer le réfrigérateur.

- N'utilisez jamais d'outils pointus et abrasifs, de savon, de produits nettoyage domestiques, d'essence, de carburant, du cirage ou des substances similaires pour le nettoyage du produit.
- Pour des appareils qui ne sont pas de la marque No Frost, des gouttes d'eau et une couche de givre pouvant atteindre la largeur d'un doigt se forment sur la paroi arrière du compartiment réfrigérateur. Ne les nettoyez pas et évitez d'y utiliser de l'huile ou des produits similaires.
- Utilisez uniquement des tissus en microfibras légèrement mouillés pour nettoyer la surface externe de l'appareil. Les éponges et autres tissus de nettoyage sont susceptibles de rayer la surface.
- Faites dissoudre une cuillerée à café de bicarbonate dans de l'eau. Trempez un morceau de tissu dans cette eau et essorez-le. Nettoyez soigneusement l'appareil avec ce chiffon et ensuite avec un chiffon sec.
- Veillez à ne pas mouiller le logement de la lampe ainsi que d'autres composants électriques.
- Nettoyez la porte à l'aide d'un torchon humide. Retirez tous les aliments de l'intérieur afin de démonter la porte et les étagères du châssis. Relevez les étagères de la porte pour les démonter. Nettoyez et séchez les étagères, puis refixez-les en les faisant glisser à partir du haut.
- N'utilisez pas d'eau contenant du chlore, ou des produits de nettoyage pour les surfaces externes et les pièces chromées de l'appareil. Le chlore entraîne la corrosion de ce type de surfaces métalliques.

- Évitez d'utiliser des objets tranchants ou abrasifs, du savon, des produits ménagers de nettoyage, des détergents, de l'essence, du benzène, de la cire, ect. ; autrement, les marques sur les pièces en plastique pourraient s'effacer et les pièces elles-mêmes pourraient présenter des déformations. Utilisez de l'eau tiède et un torchon doux pour nettoyer et sécher.

7.1 Prévention des mauvaises odeurs

À sa sortie d'usine, cet appareil ne contient aucun matériau odorant. Cependant; la conservation des aliments dans des sections inappropriées et le mauvais nettoyage de l'intérieur peuvent donner lieu aux mauvaises odeurs.

Pour éviter cela, nettoyez l'intérieur à l'aide de bicarbonate dissout dans l'eau tous les 15 jours.

- Conservez les aliments dans des récipients fermés. Des micro-organismes peuvent proliférer des récipients non fermés et émettre de mauvaises odeurs.
- Ne conservez pas d'aliments périmés ou avariés dans le réfrigérateur.

7.2 Protection des surfaces en plastique

Si de l'huile se répand sur les surfaces en plastique, il faut immédiatement les nettoyer avec de l'eau tiède, sinon elles seront endommagées.

8 Dépannage

Parcourez la liste ci-après avant de contacter le service de maintenance. Cela devrait vous éviter de perdre du temps et de l'argent. Cette liste répertorie les plaintes fréquentes ne provenant pas de vices de fabrication ou des défauts de pièces. Certaines fonctionnalités mentionnées dans ce manuel peuvent ne pas exister sur votre modèle.

Le réfrigérateur ne fonctionne pas.

- La prise d'alimentation n'est pas bien fixée. >>> Branchez-la en l'enfonçant complètement dans la prise.
- Le fusible branché à la prise qui alimente l'appareil ou le fusible principal est grillé. >>> Vérifiez le fusible.

Condensation sur la paroi latérale du congélateur (MULTI ZONE, COOL, CONTROL et FLEXI ZONE).

- La porte est ouverte trop fréquemment >>> Évitez d'ouvrir trop fréquemment la porte de l'appareil.
- L'environnement est trop humide. >>> N'installez pas l'appareil dans des endroits humides.
- Les aliments contenant des liquides sont conservés dans des récipients non fermés. Conservez ces aliments dans des emballages scellés.
- La porte de l'appareil est restée ouverte. >>> Ne laissez pas la porte du réfrigérateur ouverte longtemps.
- Le thermostat est réglé à une température trop basse. >>> Réglez le thermostat à la température appropriée.

Le compresseur ne fonctionne pas.

- En cas de coupure soudaine de courant ou de débranchement intempestif, la pression du gaz dans le système de réfrigération de l'appareil n'est pas équilibrée, ce qui déclenche la fonction de conservation thermique du compresseur. L'appareil se remet en marche au bout de 6 minutes environ. Dans le cas contraire, veuillez contacter le service de maintenance.
- L'appareil est en mode dégivrage. >>> Ce processus est normal pour un appareil à dégivrage complètement automatique. Le dégivrage se déclenche périodiquement.
- L'appareil n'est pas branché. >>> Vérifiez que le cordon d'alimentation est connecté à la prise.
- Le réglage de température est inapproprié. >>> Sélectionnez le réglage de température approprié.
- Cas de coupure de courant. >>> L'appareil continue de fonctionner normalement dès le retour du courant.

Le bruit du réfrigérateur en fonctionnement s'accroît pendant son utilisation.

- Le rendement de l'appareil en fonctionnement peut varier en fonction des fluctuations de la température ambiante. Ceci est normal et ne constitue pas un dysfonctionnement.

Le réfrigérateur fonctionne fréquemment ou pendant de longues périodes.

Dépannage

- Il se peut que le nouvel appareil soit plus grand que l'ancien. Les appareils plus grands fonctionnent plus longtemps.
- La température de la pièce est probablement élevée. Il est normal que l'appareil fonctionne plus longtemps lorsque la température de la pièce est élevée.
- L'appareil vient peut-être d'être branché ou chargé de nouveaux aliments. >>> L'appareil met plus longtemps à atteindre la température réglée s'il vient d'être branché ou récemment rempli d'aliments. Ce phénomène est normal.
- Il est possible que des quantités importantes d'aliments chauds aient été récemment placées dans l'appareil. >>> Ne placez pas d'aliments chauds dans votre appareil.
- Les portes étaient ouvertes fréquemment ou sont restées longtemps ouvertes. >>> L'air chaud circulant à l'intérieur de l'appareil le fera fonctionner plus longtemps. N'ouvrez pas les portes trop régulièrement.
- Le congélateur ou le réfrigérateur est peut-être resté entrouvert. >>> Vérifiez que les portes sont bien fermées.
- L'appareil peut être réglé à une température trop basse. >>> Réglez la température à un degré supérieur et patientez que l'appareil atteigne la nouvelle température.
- Le joint de la porte du réfrigérateur ou du congélateur peut être sale, usé, brisé ou mal positionné. >>> Nettoyez ou remplacez le joint. Si le joint de la porte est endommagé ou arraché, l'appareil mettra plus de temps à conserver la température actuelle.

La température du réfrigérateur est très basse, alors que celle du congélateur est appropriée.

- La température du compartiment congélateur est réglée à un degré très bas. >>> Réglez la température du compartiment congélateur à un degré supérieur et procédez de nouveau à la vérification.

La température du réfrigérateur est très basse, alors que celle du congélateur est appropriée.

- La température du compartiment réfrigérateur est réglée à un degré très bas. >>> Réglez la température du compartiment congélateur à un degré supérieur et procédez de nouveau à la vérification.

Les aliments conservés dans le compartiment réfrigérateur sont congelés.

- La température du compartiment réfrigérateur est réglée à un degré très bas. >>> Réglez la température du compartiment congélateur à un degré supérieur et procédez de nouveau à la vérification.

La température du compartiment réfrigérateur ou congélateur est très élevée.

Dépannage

- La température du compartiment réfrigérateur est réglée à un degré très élevé. >>> Le réglage de la température du compartiment réfrigérateur a un effet sur la température du compartiment congélateur. Patientez que la température des parties concernées atteigne le niveau suffisant en changeant la température des compartiments réfrigérateur et congélateur.
- Les portes étaient ouvertes fréquemment ou sont restées longtemps ouvertes. >>> N'ouvrez pas les portes trop régulièrement.
- La porte est peut-être restée ouverte. >>> Fermez hermétiquement la porte du réfrigérateur.
- L'appareil vient peut-être d'être branché ou chargé de nouveaux aliments. >>> Ce phénomène est normal. L'appareil met plus longtemps à atteindre la température réglée s'il vient d'être branché ou récemment rempli d'aliments.
- Il est possible que des quantités importantes d'aliments chauds aient été récemment placées dans l'appareil. >>> Ne placez pas d'aliments chauds dans votre appareil.

En cas de vibrations ou de bruits.

- Le sol n'est pas plat ou stable. >>> Si l'appareil n'est pas stable, ajustez les supports afin de le remettre en équilibre. Vérifiez également que le sol est assez solide pour supporter le poids de l'appareil.
- Des éléments placés dans le réfrigérateur pourraient faire du bruit. >>> Veuillez les retirer.

L'appareil émet un bruit d'écoulement de liquide ou de pulvérisation, etc.

- Le fonctionnement de l'appareil implique des écoulements de liquides et des émissions de gaz. >>> Ce phénomène est normal et ne constitue pas un dysfonctionnement.

L'appareil émet un sifflement.

- L'appareil effectue le refroidissement à l'aide d'un ventilateur. Ceci est normal et ne constitue pas un dysfonctionnement.

Les parois internes de l'appareil présentent une condensation.

- Un climat chaud ou humide accélère le processus de givrage et de condensation. Ceci est normal et ne constitue pas un dysfonctionnement.
- Les portes étaient ouvertes fréquemment ou sont restées longtemps ouvertes. >>> N'ouvrez pas les portes trop fréquemment ; fermez-les lorsqu'elles sont ouvertes.
- La porte est peut-être restée ouverte. >>> Fermez hermétiquement la porte du réfrigérateur.

Il y a de la condensation sur les parois externes ou entre les portes de l'appareil.

- Il se peut que le climat ambiant soit humide, auquel cas cela est normal. >>> La condensation se dissipe lorsque l'humidité baisse.

Présence d'une odeur désagréable dans l'appareil.

- L'appareil n'est pas nettoyé régulièrement. >>> Nettoyez régulièrement l'intérieur du réfrigérateur en utilisant une éponge, de l'eau chaude et du bicarbonate.
- Certains récipients et matériaux d'emballage sont peut-être à l'origine de mauvaises odeurs. >>> Utilisez des récipients et des emballages exempts de toute odeur.
- Les aliments ont été placés dans des récipients non fermés. >>> Conservez les aliments dans des récipients fermés. Les micro-organismes pourraient se propager sur les produits alimentaires non fermés et émettre de mauvaises odeurs. Retirez tous les aliments périmés ou avariés de l'appareil.

La porte ne se ferme pas.

Dépannage

- Des emballages d'aliments peuvent bloquer la porte. >>> Déplacez tout ce qui bloque les portes.
- L'appareil ne se tient pas parfaitement droit sur le sol. >>> Ajustez les pieds afin de remettre l'appareil en équilibre.
- Le sol n'est pas plat ou stable. >>> Assurez-vous que le sol est plat et assez solide pour supporter le poids de l'appareil.

Le bac à légumes est engorgé.

- Il est possible que les aliments soient en contact avec la section supérieure du tiroir. >>> Reclassez les aliments dans le tiroir.

Si La Surface De L'appareil Est Chaude

- Vous pouvez observer une élévation de la température entre les deux portes, sur les panneaux latéraux et au niveau de la grille arrière pendant le fonctionnement de l'appareil. Ce phénomène est normal et ne nécessite aucune opération d'entretien !



AVERTISSEMENT :

Si le problème persiste même après observation des instructions contenues dans cette partie, contactez votre fournisseur ou un service de maintenance agréé. N'essayez pas de réparer l'appareil de vous-même.



AVERTISSEMENT :

- Ce produit peut vous exposer à des produits chimiques, y compris le nickel (métallique) qui est connu dans l'État de Californie pour provoquer des cancers.
- Pour plus d'informations, rendez-vous sur www.p65warnings.co.gov
- Remarque : Le nickel est un composant de l'acier inoxydable et de certains autres composants métalliques.

DÉCLARATION DE GARANTIE POUR LES RÉFRIGÉRATEURS BEKO

Les garanties offertes par Beko dans ces déclarations s'appliquent uniquement aux réfrigérateurs Beko vendus à l'acheteur ou propriétaire original aux États-Unis et au Canada. La garantie n'est pas transférable. Pour obtenir un service de garantie, veuillez contacter votre distributeur le plus près tel que listé par province. Vous aurez besoin du numéro de modèle du réfrigérateur, du numéro de série, du nom et de l'adresse du détaillant où vous l'avez acheté ainsi que de la date d'achat et de la date d'installation. Cette garantie vous confère des droits légaux spécifiques, et vous pouvez également bénéficier d'autres droits qui peuvent varier d'une province à l'autre. De plus, assurez-vous d'enregistrer votre produit pour la garantie au www.beko.us

2 ans (*) de garantie complète à partir de la date de la première installation

Beko réparera ou remplacera sans frais pour le consommateur toutes pièces défectueuses du réfrigérateur si utilisé sous des conditions domestiques normales (la garantie est annulée si le produit est utilisé à des fins commerciales par ex. gîtes touristiques, centre de soins, etc.). Le service doit aussi être effectué par une agence de service autorisée par Beko. (Les défauts de fabrication apparents doivent être signalés en dedans de 10 jours ouvrables de l'installation). 2 ans de garantie sur les accessoires, pour les pièces seulement et n'inclut pas la main d'oeuvre.

3-5 ans (*, **) de garantie limitée à partir de la date de la première installation

(pièces seulement 3-5 ans). Beko réparera ou remplacera tous les compresseurs, évaporateurs, condenseurs et déshydrateurs sans frais pour le consommateur si des vices de matériaux ou de main d'oeuvre ont causés des dommages ou des défaillances de ces composants.

Le réfrigérateur devra avoir été utilisé sous des conditions domestiques normales et non commerciale (Les frais de main d'oeuvre sont la responsabilité du consommateur).

Exonérations de garantie et exclusions :

La garantie ne couvre pas les frais de service d'un agent de service autorisé pour corriger des problèmes d'installation, électriques ou l'instruction éducationnelle sur l'utilisation du réfrigérateur. La garantie ne couvre pas non plus les défauts ou les dommages causés par une catastrophe naturelle (comme des tempêtes, des inondations, des incendies, des coulées de boue, etc.), des dommages causés par l'utilisation du réfrigérateur dans des buts autres que ceux pour lesquels il a été conçu, mauvaise utilisation, abus, accident, altération, mauvaise installation, entretien, frais de déplacements, appels de service en dehors des heures de service normales, ramassage et livraison, toute perte d'aliments à cause d'une défectuosité du produit, service non autorisé ou personne de service non autorisée.

Ce produit a subi des tests complets et a eu des inspections d'assurance de qualité officiels avant de quitter le site de fabrication original. Les conditions de garantie pour cet électroménager Beko n'est pas valide si le produit a été altéré, tripoté, modifié, si des pièces supplémentaires ont été assemblées, fixées et réemballées par un distributeur autorisé, une personne d'entretien, un détaillant de tierce partie, un revendeur ou par toute(s) autre(s) personne(s) non autorisée(s).

DANS LA LIMITE DE CE QUI EST AUTORISÉ PAR LA LOI, CETTE GARANTIE TIEN LIEU DE TOUTES LES AUTRES GARANTIES, EXPRESSES OU IMPLICITES, Y COMPRIS LES GARANTIES IMPLICITES DE QUALITÉ MARCHANDE ET D'ADAPTATION À UN USAGE PARTICULIER, BEKO DÉCLINE TOUTE RESPONSABILITÉ EN CE QUI A TRAIT À LA QUALITÉ DE CE PRODUIT SAUF MENTION CONTRAIRE DANS CETTE DÉCLARATION DE GARANTIE, BEKO N'ASSUME AUCUNE RESPONSABILITÉ QUAND À L'ADAPTATION DU PRODUIT POUR TOUT BUT PARTICULIER POUR LEQUEL VOUS POURRIEZ ACHETER CE PRODUIT, SAUF MENTION CONTRAIRE DANS CETTE DÉCLARATION DE GARANTIE.

Beko n'assume aucune responsabilité pour les dommages indirects ou consécutifs. De tels dommages incluent, mais sans s'y limiter, la perte de profits, la perte d'épargne ou de revenus, la perte de l'utilisation du réfrigérateur ou de tout équipement associé, le coût du capital, le coût de tout équipement substitué, installations ou services, pannes, les réclamations de tiers, et des dommages à la propriété. Certaines provinces n'autorisent pas l'exclusion ou la limitation des dommages accessoires ou indirects, de sorte que les limitations ou exclusions ci-dessus peuvent ne pas s'appliquer à vous.

(*) La date d'installation réfère à la date d'achat ou à 5 jours ouvrables après la livraison du produit à la maison, la plus tardive de ces deux dates prévalant.

(**) Les pièces remplacées assumeront l'identité des pièces originales + leur garantie originale.

Aucune autre garantie. Cette déclaration de garantie est la garantie complète et exclusive du fabricant. Aucun employé de Beko ou autre tiers n'est autorisé à faire des déclarations de garantie en plus de celles énoncées dans cette Déclaration de garantie.

Veuillez conserver cette carte de garantie, manuel d'utilisation et votre reçu de caisse pour référence future.

COMMENT CONTACTER LE SERVICE

Veuillez contacter votre distributeur local agréé Beko, ou appelez gratuitement notre service téléphonique d'assistance à la clientèle au numéro 1-888-352 BEKO (2356) pour parler à un Agent de service autorisé Beko ou allez sur notre site à l'adresse <http://www.beko.us>. Vous pouvez également consulter la liste des distributeurs agréés dans la section « Où acheter » de notre site web pour des détails supplémentaires.

¡Lea el Manual del usuario antes del uso!

Estimado cliente:

Esperamos que su producto, que ha sido producido en instalaciones modernas y ha sido comprobado conforme a los procedimientos de control de calidad más meticulosos, le proporcione un servicio eficaz.

El Manual del usuario le ayudará a utilizar el producto de forma rápida y segura.

- Asegúrese de leer las instrucciones de seguridad.
- Guarde el manual en un lugar fácilmente accesible, ya que lo podrá necesitar más tarde.
- Lea todos los demás documentos suministrados con el producto.
- El fabricante se reserva el derecho a realizar modificaciones en el producto.

Recuerde que este Manual del usuario es también aplicable a varios otros modelos.

Explicación de los símbolos

Los siguientes símbolos se utilizan en la guía del usuario:

	Información adicional o consejos útiles sobre el uso.
	Riesgo de lesiones y daños a la propiedad.
	Riesgo de descarga eléctrica.
	Los materiales de embalaje del aparato son fabricados a partir de materiales reciclables, de acuerdo con nuestra Reglamentación Nacional para el Medio Ambiente.

Contenido

1 Instrucciones importantes de seguridad y medioambientales 3

- 1.1 Seguridad General 3
- 1.2 Advertencia sobre hidrocarburos (HC) 5
- 1.3 Para los aparatos con un dispensador de agua/máquina de hielo 5
- 1.4 Uso previsto 5
- 1.5 Seguridad de los niños 5
- 1.6 Cumplimiento de la Directiva RAEE y eliminación del aparato de desecho: 6
- 1.7 Cumplimiento de la Directiva RoHS: 6
- 1.8 Información de embalaje 6

2 Condiciones medioambientales 7

- 2.1 En cumplimiento de la Directiva RAEE, y la eliminación del aparato: 7
- 2.2 Cumplimiento de la Directiva RoHS 7
- 2.3 Información sobre el paquete. 7

3 Su frigorífico 8

4 Instalación 9

- 4.1 Ubicación adecuada para la instalación . . . 9
- 4.2 Instalación de las cuñas de plástico 9
- 4.3* Ajuste de las patas 9
- 4.4 Conexión eléctrica 10
- 4.5 Conexión de agua. 11
- 4.5.1 Antes de la instalación 11
- 4.6. Conexión de la manguera de agua al frigorífico 11
- 4.7 Conectar el agua al frigorífico al suministro de agua 11

5 Preparación 12

- 5.1 Cosas por hacer para ahorrar energía . . . 12
- 5.2 Recomendaciones sobre el compartimento de alimentos frescos. 12
- 5.3 Primer uso 13

6 Operación del producto 14

- 6.1 Panel indicador. 14
- 6.2 TABLERO DE CONTROL U4 - PANTALLA 4K FOREVER 17
- ACTIVACIÓN DEL CONTADOR DE FILTRO 17
- 6.3 TABLERO DE CONTROL U4 - PANTALLA 4K FOREVER 19
- ACTIVACIÓN/DESACTIVACIÓN DE LA FUNCIÓN DE CANCELACIÓN DE HIELO 19
- 6.4 Congelación de alimentos frescos 20
- 6.5 Recomendaciones para la preservación de los alimentos congelados 20
- 6.6 Información de congelados 20
- 6.7 Colocación de los alimentos. 21
- 6.8 Advertencia de puerta abierta 21
- 6.9 Luz interior 21
- 6.10 Compartimento frigorífico 22
- 6.11 Cajón para verduras 22
- 6.12 Cajón de verduras con humedad controlada 22
- (EverFresh+). 22
- 6.13 Bandeja para huevos. 22
- 6.14 Sección media móvil 23
- 6.15 Control de enfriar del compartimento para almacenamiento 23
- 6.16 Luz azul 23
- 6.17 Filtro de olores 23
- 6.18 Icematic 24

7 Limpieza y mantenimiento 28

- 7.1 Prevención del mal olor. 28
- 7.2 Protección de superficies de plástico . . . 28

8. Solución de problemas 29

1 Instrucciones importantes de seguridad y medioambientales

Este capítulo contiene información de seguridad que le ayudará a evitar el riesgo de lesiones personales o daños a la propiedad. El incumplimiento de estas instrucciones anulará cualquier garantía del aparato.

Uso previsto

	ADVERTENCIA: Mantenga libres de obstrucciones las aberturas de ventilación, tanto las que están en el cierre de la unidad como las que están en la estructura incorporada.
	ADVERTENCIA: No utilice aparatos mecánicos ni otros medios para acelerar el proceso de descongelación, distintos de los recomendados por el fabricante.
	ADVERTENCIA: No dañe el circuito refrigerante.
	ADVERTENCIA: No utilice aparatos eléctricos dentro de los compartimentos para alimentos del aparato, a menos que sean del tipo recomendado por el fabricante.

Este aparato está destinado al uso en hogares y entornos similares, como

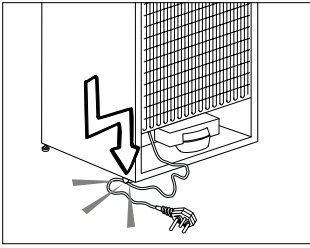
- zonas de cocina de personal en establecimientos, oficinas y/u otro entorno laboral;
- Casas rurales y también para ser utilizada por los clientes en hoteles, moteles y otros entornos de tipo residencial;

- Entornos de hospedaje en régimen de alojamiento y desayuno.
- aplicaciones de hostelería y actividades no comerciales similares.

1.1 Seguridad General

- Este aparato no está destinado a ser utilizado por personas (incluidos los niños) con capacidades físicas, sensoriales o mentales reducidas, o con falta de experiencia y conocimientos, a menos que hayan recibido supervisión o instrucciones sobre el uso del aparato por parte de una persona responsable de su seguridad. Debe vigilarse a los niños a fin de asegurarse que no jueguen con el aparato.
- El hecho de no seguir las instrucciones, así como el uso del aparato sin control, puede dar lugar a resultados peligrosos.
- Desenchufe el aparato si encuentra algún fallo durante su uso.
- Si el aparato funciona mal, no debe ser utilizado hasta que sea reparado por el proveedor de servicios autorizado. Peligro de descarga eléctrica.
- Enchufe el aparato en un zócalo con toma de tierra protegido por un fusible que corresponde al valor en su placa de identificación. Haga que un electricista cualificado ponga a tierra el aparato. Nuestra empresa no se hace responsable de los daños que resulten de no utilizar el aparato con un enchufe con toma de tierra, de acuerdo con las normas locales.
- Desenchufe el aparato cuando no esté en uso.
- No lave nunca el aparato pulverizándolo o echándole agua. Peligro de descarga eléctrica.
- No tocar nunca el enchufe con las manos húmedas.
- Nunca desenchufe el aparato tirando del cable. Tire siempre del enchufe sujetando la toma de corriente.

Instrucciones importantes respecto a la seguridad y el medio ambiente



- No enchufe el frigorífico si el enchufe de la pared está suelto.
- No conectar nunca el frigorífico a ningún dispositivo de ahorro de energía. Estos podrían ser dañinos para el mismo.
- Desenchufe el aparato durante los procedimientos de instalación, cuidado, limpieza y reparación.
- Siempre tenga el **Proveedor de Servicios Autorizado** instalar el aparato y establecer sus conexiones eléctricas. El fabricante no se hace responsable de los daños causados por procedimientos realizados por personas no autorizadas.
- No coma helado de cucurucho o cubitos de hielo inmediatamente después de sacarlos del congelador. Esto puede causar congelación en la boca.
- ¡No toque la comida congelada con las manos mojadas! Pueden pegarse a su mano.
- No ponga bebidas líquidas embotelladas o enlatadas en el congelador. Pueden explotar.
- No utilice nunca vapor o limpiadores de vapor para limpiar o descongelar el frigorífico. El vapor entra en contacto con las partes en tensión del frigorífico, provocando un cortocircuito o una descarga eléctrica.
- **ADVERTENCIA:** Procure que el cable de corriente no quede atrapado ni dañado al colocar el aparato. **En caso de que así ocurra, deberá encargarse de cambiarlo el fabricante, su servicio técnico o una persona con cualificación similar, a fin de evitar riesgos..**
- **ADVERTENCIA:** No coloque enchufes portátiles o equipos de energía portátil en la parte posterior del aparato.
- No utilice ningún dispositivo mecánico, ni ningún otro aparato, para acelerar el proceso de descongelación, salvo los recomendados por el fabricante.
- Nunca utilice las piezas del nevera, como la puerta y el cajón, como soporte o escalón. Esto puede hacer que el aparato se vuelque o que se dañen sus partes.
- No dañe las partes por donde circula el refrigerante con herramientas de perforación o de corte. El refrigerante que puede estallar cuando se perforan los canales de gas del evaporador, las extensiones de los tubos o los revestimientos de la superficie causa irritaciones en la piel y lesiones en los ojos.
- No cubra ni bloquee los orificios de ventilación del frigorífico con ningún objeto.
- Coloque la bebida con pruebas más altas, bien cerrada y en posición vertical.
- No utilice aerosoles gaseosos cerca del aparato, ya que existe el riesgo de incendio o explosión.
- Nunca se deben guardar en el aparato artículos inflamables o aparatos que contengan gases inflamables (por ejemplo, aerosoles), así como materiales explosivos.
- No coloque recipientes llenos de líquido sobre el aparato. Salpicar agua en una pieza eléctrica puede causar un choque eléctrico o el riesgo de incendio.
- No guarde en el frigorífico objetos que necesiten un ajuste preciso de la temperatura (como vacunas, medicamentos sensibles al calor, materiales científicos, etc.).
- Si no va a utilizar el aparato durante mucho tiempo, desenchúfelo y retire la comida que contiene.
- Si hay una luz azul en el frigorífico, no mire esta luz con herramientas ópticas.
- Exponer el aparato a la lluvia, la nieve, el sol o el viento es peligroso en términos de seguridad eléctrica.
- En los aparatos con control mecánico (termostato), espere 5 minutos para volver a

Instrucciones importantes respecto a la seguridad y el medio ambiente

enchufar el aparato después de desenchufarlo.

- No sobrecargue el frigorífico. El contenido del frigorífico puede caer al abrir la puerta, causando lesiones o daños. Pueden surgir problemas similares si se coloca algún objeto sobre el aparato.
- Si el aparato tiene un tirador, no tire nunca de él al reubicar el aparato. El tirador puede estar suelto.
- Tenga cuidado de no atascar su mano o cualquier otra parte del cuerpo en las partes móviles del frigorífico.
- No introduzca la mano ni ningún otro material extraño en la máquina de hielo mientras esté funcionando.

1.2 Advertencia sobre hidrocarburos (HC)

- Si el sistema de refrigeración del aparato contiene R600a:

Este gas es inflamable. Durante el transporte, cuidado con no dañar el sistema de refrigeración ni las tuberías. Si se daña, mantenga el aparato alejado de fuentes potenciales de incendio que puedan provocar que se incendie y ventile la habitación donde se coloca el aparato.



Si el aparato está dañado y si ve una fuga de gas, por favor manténgase alejado del gas. Puede causar congelación cuando entra en contacto con la piel.
(incluyendo el R134)



Ignore esta advertencia si el sistema de refrigeración del aparato contiene R134a.



El tipo de gas utilizado en el aparato se indica en la placa de características que está en la pared izquierda dentro del frigorífico.



ADVERTENCIA:

En ningún caso se deberá arrojar al fuego para su desecho.

1.3 Para los aparatos con un dispensador de agua/máquina de hielo

- La presión para la entrada de agua fría será de un máximo de 90 psi (620 kPa). Si la presión del agua supera los 550 kPa (80 psi), utilice una válvula limitadora de presión en la red eléctrica. Si no sabe cómo comprobar la presión del agua, pida ayuda a un fontanero profesional.
- Si hay riesgo de impacto de agua en su instalación, utilice siempre un equipo de protección contra el impacto de agua en esa instalación. Por favor, consulte a los fontaneros profesionales si no está seguro de si hay impacto de agua en su instalación.
- No lo instale en la entrada de agua caliente.
- Utilice únicamente agua potable.
- Tome las medidas necesarias contra el riesgo de congelación de las mangueras. El rango de funcionamiento de la temperatura del agua debe ser de 0,6°C (33°F) como mínimo y 38°C (100°F) como máximo.



ADVERTENCIA:

Nunca conecte el aparato a una red de agua fría con una presión de 550 kPa (80 psi) o superior.

1.4 Uso previsto

- Este aparato está destinado únicamente al uso doméstico. Este aparato no es apto para su uso comercial, por lo que no debe utilizarse para fines distintos de los previstos.
- Debe ser usado sólo para almacenar comida.
- El fabricante no se responsabiliza de los daños derivados de un uso o transporte inadecuados.
- Los repuestos originales estarán disponibles durante 10 años a partir de la fecha de compra del aparato.

1.5 Seguridad de los niños

- En caso de que el aparato tenga cerradura, deberá mantenerse la llave fuera del alcance de los niños.
- No deje que los niños jueguen con el aparato.



PRECAUCIÓN:

Para evitar que un niño quede atrapado, manténgalo fuera del alcance de los niños, y no cerca del congelador ni del frigorífico.

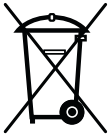


ADVERTENCIA:

Antes de desechar su viejo frigorífico o congelador:

- Los niños pueden quedar encerrados dentro.
- Quite las puertas.
- Deje los estantes para evitar que los niños entren fácilmente en el aparato.

1.6 Cumplimiento de la Directiva RAEE y eliminación del aparato de desecho:



Este aparato cumple con la Directiva WEE de la UE (2012/19 UE). Este aparato lleva un símbolo de la clasificación de los equipos eléctricos y electrónicos WEEE (RAEE). Este aparato ha sido fabricado con piezas y materiales de alta calidad

que pueden ser reutilizados y son aptos para el reciclaje. Por lo tanto, no elimine el aparato con la basura doméstica normal u otros residuos al final del vida útil. Llévelo a un centro de recogida para reciclar equipos eléctricos y electrónicos. Por favor, consulte a las autoridades locales para conocer la ubicación de dichos centros de recogida.

1.7 Cumplimiento de la Directiva RoHS:

El aparato que ha adquirido es conforme con la directiva de la UE sobre la restricción de sustancias peligrosas (RoHS) (2011/65/UE). No contiene materiales dañinos o prohibidos especificados en la Directiva.

1.8 Información de embalaje

- Los materiales de embalaje del aparato se fabrican con material reciclable, de acuerdo con nuestra Reglamentación Nacional para el Medio Ambiente. No elimine los materiales de embalaje con los residuos domésticos normales u otros tipos de residuos. Lleve estos materiales a un punto de reciclaje designado por las autoridades locales.

PELIGRO:

Riesgo de incendio o explosión:

- Este aparato utiliza un refrigerante inflamable.
- No utilice dispositivos mecánicos para descongelar el frigorífico.
- No utilice aparatos químicos para la limpieza.
- No perforo el tubo del refrigerante.
- Si se perfora el tubo de refrigerante, sólo debe ser reparado por personal de servicio autorizado.
- Por favor, consulte el manual de reparación/usuario antes de limpiar el aparato. Deben seguirse todas las instrucciones de seguridad.
- Deseche el aparato de acuerdo con las regulaciones federales o locales.



2 Condiciones medioambientales

2.1 En cumplimiento de la Directiva RAEE, y la eliminación del aparato:

Este aparato cumple con la Directiva WEEE de la EU (2012/19/EU). Este aparato lleva un símbolo de la clasificación de los equipos eléctricos y electrónicos WEEE.



Este símbolo indica que este aparato no se desechará con otros residuos domésticos al final de su vida útil. El aparato usado debe ser entregado en el punto de recogida oficial para el

reciclaje de aparatos eléctricos y electrónicos. Para encontrar estos puntos de limpieza, por favor, póngase en contacto con las autoridades locales o con la tienda en la que compró el aparato. Cada hogar desempeña un papel importante en la recuperación y el reciclaje de los aparatos viejos. La eliminación apropiada de los aparatos usados ayuda a prevenir posibles consecuencias negativas en el medio ambiente y la salud humana.

2.2 Cumplimiento de la Directiva RoHS

El aparato que ha adquirido cumple con la Directiva de EU RoHS (2011/65/EU). No contiene materiales nocivos ni prohibidos especificados en la Directiva.

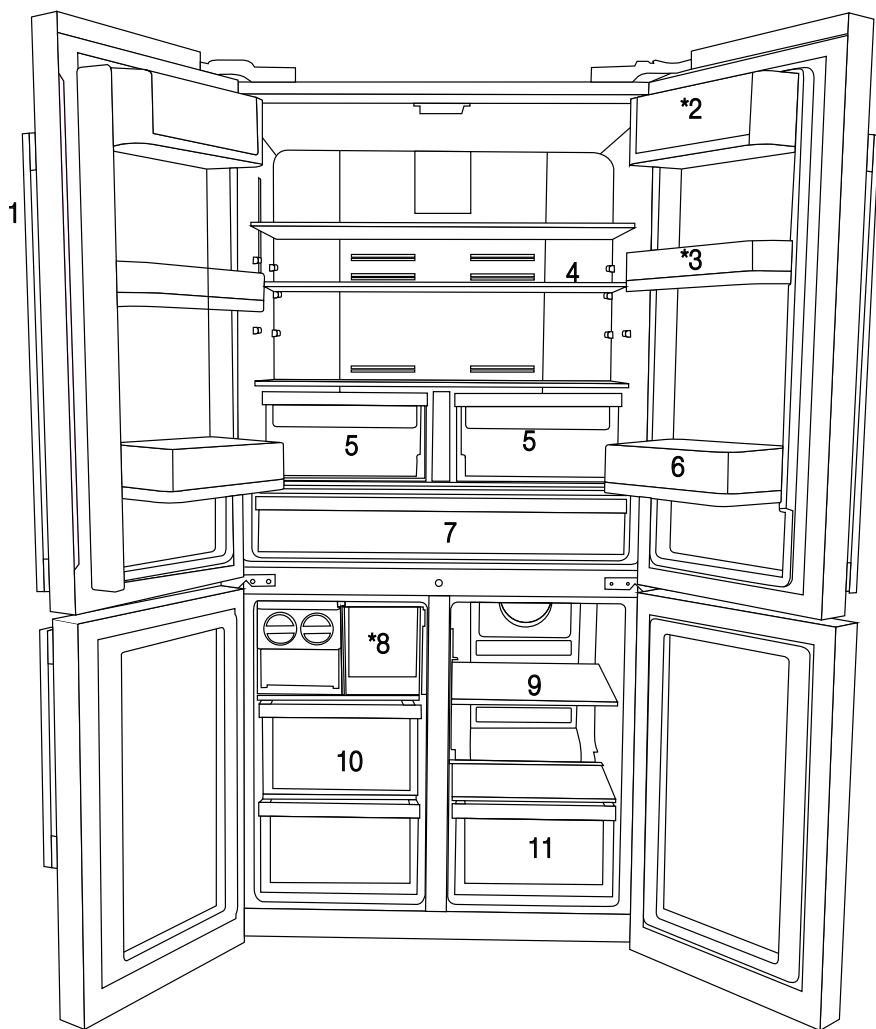
2.3 Información sobre el paquete



Los materiales de embalaje del aparato son fabricados a partir de materiales reciclables, de acuerdo con nuestra Reglamentación Nacional para el Medio

Ambiente. No se deshaga de los materiales de embalaje junto con los desechos domésticos o de otro tipo. Llévelos a los puntos de recolección de material de embalaje designados por las autoridades locales.

3 Su frigorífico



- 1- Panel de control e indicador
- 2- Sección de mantequilla y queso
- 3- Estante de puerta en movimiento de 70 mm
- 4- Estante de cristal del compartimento frigorífico
- 5- Compartimento para verduras del frigorífico
- 6- Estante de la puerta con capacidad para galón
- 7- Compartimento enfriador
- 8- Cajón de la caja de hielo
- 9- Estante de cristal del compartimento multizonas
- 10- Cajones del congelador
- 11- Cajón del compartimento multizonas

*** OPCIONAL**



Las imágenes en este manual son esquemáticos y pueden no coincidir exactamente con su producto. Si usted ha comprado las piezas que no se incluyen en el producto, entonces esas piezas son válidas para otros modelos.

4.1 Ubicación adecuada para la instalación

Póngase en contacto con un servicio autorizado para la instalación del producto. Con el fin de preparar el producto para su uso, consulte la información en el Manual del usuario y asegurarse de que la instalación eléctrica y la instalación de agua sean apropiadas. Si no es así, llame a un electricista calificado y técnico para que realice las instalaciones necesarias.



ADVERTENCIA: El fabricante no se hace responsable de los daños que puedan derivarse de los procedimientos llevados a cabo por personas no autorizadas.



ADVERTENCIA: El producto no debe estar enchufado durante la instalación. De lo contrario, existe el riesgo de muerte o lesiones graves!



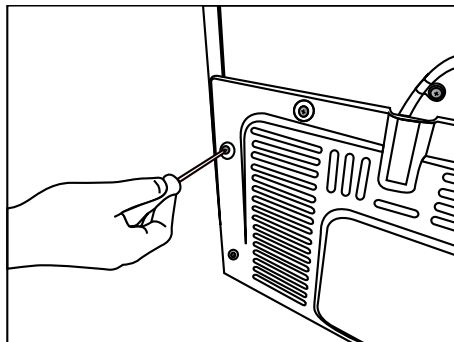
ADVERTENCIA: - Si la holgura de la puerta de la habitación donde se colocará el producto es tan apretado a prevenir el paso del producto, retire la puerta de la habitación y pase el producto a través de la puerta girando a su lado; Si esto no funciona, póngase en contacto con el servicio técnico autorizado.

- Coloque el producto sobre una superficie plana para evitar vibraciones.
- Instale el producto por lo menos a 30 cm de distancia de fuentes de calor tales como placas, centros del calentador, estufas y al menos a 5 cm de distancia de hornos eléctricos.
- El producto no debe ser sometido a la luz directa del sol y debe evitar mantenerse en lugares húmedos.
- La ventilación de aire adecuada debe proporcionarse alrededor de su producto con el fin de lograr un funcionamiento eficaz. Si el producto se va a colocar en un hueco en la pared, preste atención a dejar por lo menos 5 cm de distancia de las paredes de techo y laterales.
- No instale el producto en ambientes con temperaturas inferiores a -5°C.

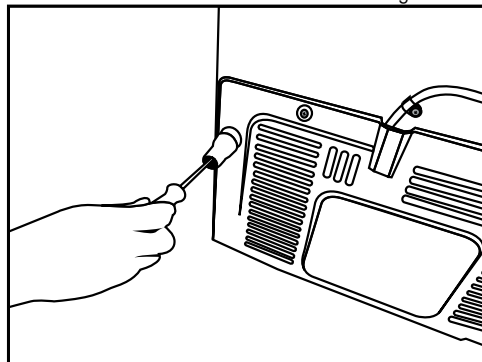
4.2 Instalación de las cuñas de plástico

Las cuñas de plástico suministrados con el producto se utilizan para crear la distancia para la circulación del aire entre el producto y la pared posterior.

1. Para colocar las cuñas, quite los tornillos en el aparato y utilice los tornillos provistos con las cuñas.



2. Coloque 2 cuñas de plástico sobre la cubierta de la ventilación trasera como se muestra en la figura.

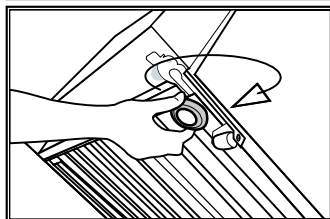
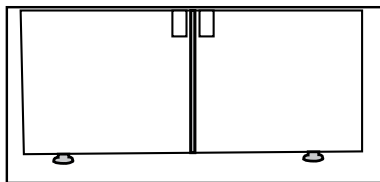


4.3* Ajuste de las patas

Si el producto se encuentra desequilibrado después de la instalación, ajuste las patas en la parte frontal, haciéndolas girar hacia la derecha o izquierda.

*Si su producto no cuenta con un compartimento de vino o no es una puerta de vidrio, su producto no tiene soportes regulables, el producto tiene soportes fijos.

Instalación



Para ajustar las puertas verticalmente,

Afloje la tuerca de fijación situada en la parte inferior.

Gire la tuerca de ajuste de acuerdo con la posición de la puerta (en sentido horario / antihorario).

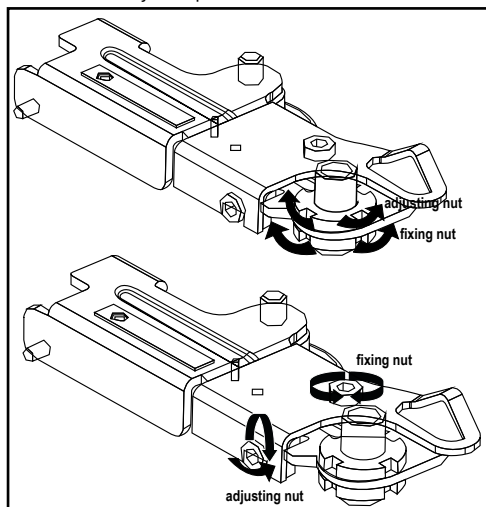
Apretete la tuerca de fijación con el fin de fijar la posición.

Para ajustar las puertas verticalmente,

Afloje la tuerca de fijación situada en la parte superior.

Gire la tuerca de ajuste de acuerdo con la posición de la puerta (en sentido horario / antihorario).

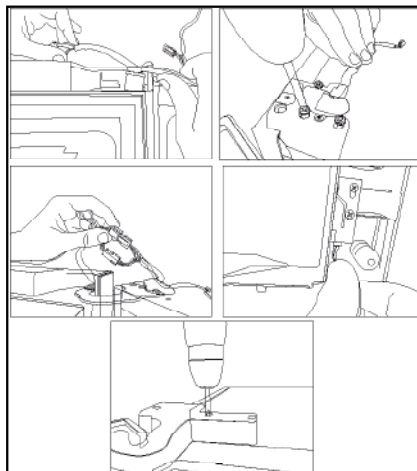
Apretete la tuerca de fijación en la parte superior con el fin de fijar la posición.



El grupo de bisagras superior está fijado con 3 tornillos.

-La cubierta de la bisagra se acopla una vez instalados los zócalos.

- A continuación, la cubierta de la bisagra se fija con dos tornillos.



3.4 Conexión eléctrica



ADVERTENCIA: No haga conexiones a través de cables de extensión o enchufes múltiples.



ADVERTENCIA: Un cable de corriente dañado deberá ser reemplazado por el Servicio Autorizado.



Si dos enfriadores deben ser instalados al lado del otro, no debe haber menos 4 cm de distancia entre ellos.

- Nuestra empresa no será responsable de los daños que se producirán si el producto es utilizado sin conexión a tierra y la conexión eléctrica de acuerdo con las regulaciones nacionales.
- El enchufe del cable de alimentación debe ser de fácil acceso después de la instalación.
- No utilice cables de extensión o múltiples puntos de conexión inalámbricos entre su producto y la toma de corriente.

Instalación

4.5 Conexión de agua

Dependiendo del modelo del frigorífico, puede conectarlo a un recipiente o a una conexión de agua. En primer lugar, conecte la manguera del agua al frigorífico.



Si utiliza un recipiente, deberá utilizar una bomba separada.



ADVERTENCIA: Si utiliza una bomba con el frigorífico, deberán estar desenchufados durante la conexión.



Las piezas siguientes pueden no estar incluidas con el aparato, porque no son necesarias cuando se utiliza un recipiente.

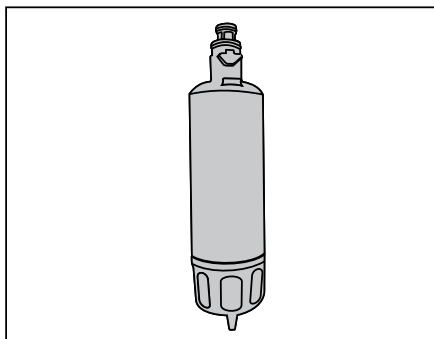
Compruebe que se hayan incluido las piezas siguientes con el aparato:

Filtro de agua externo. (Si hay una conexión a recipiente, no es necesario usar un filtro de agua.)

4.5.1 Antes de la instalación

Asegúrese de que tiene todo lo necesario para garantizar la correcta instalación antes de proceder, incluyendo:

El aparato incluye un filtro de agua interno para usarlo dentro de la nevera. El número de pieza del filtro es 4918450200 y puede usarlo cuando solicite filtros de recambio.



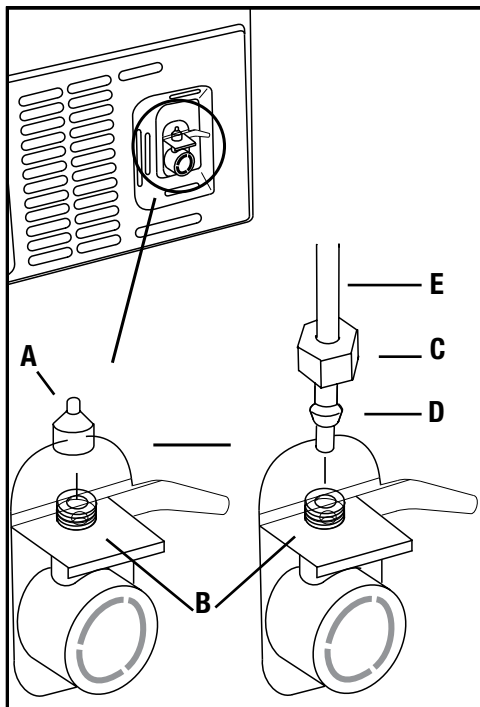
4.6. Conexión de la manguera de agua al frigorífico

1. Inserte la unión (B) en la manguera del agua (A).
2. Empuje la manguera del agua hacia abajo con fuerza para que se introduzca en la válvula de entrada de agua (C).

3. Apriete el racor (C) manualmente para fijarlo en la manguera de entrada de agua.



Normalmente, no se necesita una herramienta para apretar el racor. Sin embargo, puede utilizar una llave o alicates para apretar el racor si hay una fuga.



4.7 Conectar el agua al frigorífico al suministro de agua

Conectela línea de agua al frigorífico a una válvula de suministro. En caso de que no haya esta válvula no esté presente o si tiene alguna duda, consulte a un fontanero cualificado.

5 Preparación

5.1 Cosas por hacer para ahorrar energía



La conexión de su frigorífico en sistemas que ahorran energía es peligrosa, ya que puede causar daños en el producto.

- No deje las puertas abiertas de su frigorífico por mucho tiempo.
- No coloque alimentos ni bebidas calientes en el interior de su frigorífico.
- No sobrecargue el frigorífico. La capacidad de enfriamiento se caerá cuando la circulación del aire en el frigorífico se vea obstaculizada.
- No coloque el frigorífico en lugares expuestos a la luz solar directa. Instale el producto por lo menos a 30 cm de distancia de fuentes de calor tales como placas, centros del calentador, estufas y al menos a 5 cm de distancia de hornos eléctricos.
- Almacene los alimentos en el frigorífico en recipientes cerrados.
- Para poder almacenar alimentos al máximo en el congelador de su frigorífico, los cajones superiores tienen que ser removidos y colocados en el cajón superior del estante de vidrio. El consumo de energía indicado para su frigorífico se ha determinado después de retirar el icematic y los cajones superiores para permitir la máxima carga. Se recomienda encarecidamente el uso de los cajones inferiores en el congelador y el compartimento multizona durante la carga.
- El flujo de aire no debe ser bloqueado mediante la colocación de los alimentos en frente del congelador y los ventiladores del compartimento de la zona de múltiple. Los alimentos deben ser cargados al dejar el espacio mínimo de 5 cm por delante de la rejilla de ventilación de protección.
- La descongelación de los alimentos congelados en el compartimento frigorífico ahorra energía y conserva la calidad de los alimentos.



La temperatura de la habitación donde se encuentra el frigorífico debe ser de al menos 10°C /50°F. No se recomienda el funcionamiento de su frigorífico en condiciones más frías en lo que respecta a su eficacia.



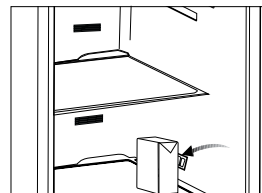
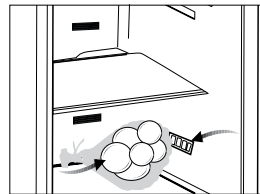
El interior del frigorífico deben estar bien limpio.



Si dos enfriadores deben ser instalados al lado del otro, no debe haber menos 4 cm de distancia entre ellos.

5.2 Recomendaciones sobre el compartimento de alimentos frescos

- Asegúrese de que la comida no toque el sensor de temperatura en el compartimento de alimentos frescos. Para permitir que el compartimento de alimentos frescos mantenga su temperatura ideal de almacenamiento, el sensor no debe verse obstaculizado por los alimentos.
- No coloque alimentos ni bebidas calientes en el frigorífico.



5.3 Primer uso

Antes de utilizar el producto, asegúrese de que se hayan realizado todos los preparativos de acuerdo con las instrucciones dadas en los capítulos "Instrucciones importantes respecto a la seguridad y el medio ambiente" e "Instalación".

- Limpie el interior del frigorífico como se recomienda en la sección "Mantenimiento y limpieza". Antes de encender el frigorífico, asegúrese de que el interior está seco.
- Conecte la cafetera a una toma a tierra. La iluminación interior se enciende cuando se abre la puerta del frigorífico.
- Haga funcionar el frigorífico durante 6 horas sin necesidad de colocar los alimentos en él y no abra la puerta a menos que sea necesario.



Se escuchará un ruido cuando el compresor cuando se pone en marcha. Los líquidos y gases sellados dentro del sistema de refrigeración también pueden dar lugar a ruido, incluso si el compresor no está funcionando y esto es bastante normal.

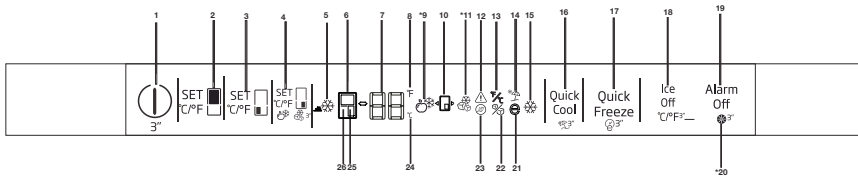


Los bordes delanteros del frigorífico pueden sentirse calientes. Esto es normal. Estas áreas están diseñadas para ser calientes para evitar la condensación.

6 Operación del producto

6.1 Panel indicador

El panel indicador de control táctil le permite ajustar la temperatura y controlar las demás funciones relacionadas con el aparato sin necesidad de abrir la puerta del frigorífico. Basta con pulsar el botón correspondiente para ajustar la temperatura.



1-Función de encendido/apagado

Mantenga pulsado el botón de encendido/apagado durante 3 segundos para encender o apagar el frigorífico.

2. Botón de función de congelación rápida

Pulse este botón para activar o desactivar la función de congelación rápida. Cuando active la función, el compartimento congelador se enfriará hasta alcanzar una temperatura inferior al valor fijado.



Use la función de congelación rápida cuando desee congelar con rapidez los alimentos depositados en el compartimento congelador. Si desea enfriar grandes cantidades de alimentos frescos, active esta función antes de depositar los alimentos en el aparato.



Si no cancela manualmente la función de congelación rápida, ésta se cancelará automáticamente transcurridas cuatro horas como máximo o bien una vez el compartimento frigorífico alcance la temperatura deseada.



En caso de corte del fluido eléctrico, esta función no se activará automáticamente al restablecerse el suministro eléctrico.



Las imágenes en este manual son esquemáticas y pueden no coincidir exactamente con su producto. Si usted ha comprado las piezas que no se incluyen en el producto, entonces esas piezas son válidas para otros modelos.

3.Botón de selección

Utilice este botón para seleccionar la cabina que desea cambiar de temperatura. Cambie de cabina pulsando este botón. La cabina seleccionada se puede reconocer por los iconos de cabina (6, 25, 24). Cualquiera que sea el icono de cabina que esté encendido, se selecciona la cabina cuyo valor de ajuste de temperatura desea cambiar. A continuación, puede modificar el valor ajustado pulsando el botón de ajuste de la temperatura de la cabina (4)

4.Ajuste de temperatura / Disminución de temperatura

Al pulsarlo, disminuye la temperatura del compartimento seleccionado.

5-Indicador de congelación rápida

Este icono se ilumina cuando la función de congelación rápida está activa.

6. Indicador del compartimento frigorífico

Cuando este indicador está activo, la temperatura del compartimento del frigorífico se muestra en el indicador del valor de temperatura. El compartimento del frigorífico se puede ajustar a 8, 7, 6, 5, 4, 3, 2 o 1°C / 46, 45, 44, 43, 42, 41, 40, 39, 38, 37, 36, 35, 34 o 33°F pulsando el botón de ajuste de la temperatura (4).

Operación del producto

7. Indicador de temperatura

Muestra el valor de temperatura del compartimento seleccionado.

8. Indicador de grados Fahrenheit

Es un indicador de grados Fahrenheit. Cuando se activa la indicación Fahrenheit, los valores de temperatura ajustados se muestran en grados Fahrenheit y se enciende el icono correspondiente.

9. Icono del frigorífico comodín

Cuando selecciona el icono del frigorífico comodín con el botón FN (16) y pulsa el botón OK (17), la cabina comodín se convierte en un frigorífico y funciona como refrigerador.

10. Icono de la cabina comodín

Muestra el icono de la cabina comodín.

11. Icono del congelador comodín

Cuando selecciona el icono del congelador comodín con el botón (16) y pulsa el botón OK (17), la cabina comodín se convierte en una cabina de congelador y funciona como un congelador.

12. Apagón/Temperatura alta / Advertencia de error

Este indicador se ilumina durante un apagón, fallos de alta temperatura y avisos de errores. Durante apagones prolongados, parpadeará en el visor digital la temperatura más alta registrada que alcance el compartimento del congelador. Después de comprobar los alimentos ubicados en el compartimento del congelador, pulse el botón de apagado de la alarma (19) para aclarar la advertencia.

13. Ajuste del indicador Celsius y Fahrenheit

Pase el ratón por encima de esta tecla con la tecla FN y seleccione Fahrenheit y Celsius con la tecla OK. Cuando se selecciona el tipo de temperatura correspondiente, se iluminan los indicadores Fahrenheit y Celsius.

14. Icono función de vacaciones

Presione la tecla FN (hasta que llegue al icono del paraguas) para activar la función de vacaciones. Cuando usted pasa el ratón por encima del icono de la función de vacaciones, empieza a parpadear. Así, usted puede saber si la función de vacaciones está activada o desactivada. Al pulsar el botón

OK, el indicador de la función de vacaciones se ilumina permanentemente y, por lo tanto, se activa la función de vacaciones. Pulse la tecla OK para cancelar la función de vacaciones. El indicador de la función de vacaciones comenzará a parpadear y la función de vacaciones será cancelada.

15. Indicador de la función de congelación rápida

Se enciende cuando se activa la función de refrigeración rápida.

16. Botón FN

Con esta tecla puede cambiar entre las funciones que desea seleccionar. Al pulsar esta tecla, comenzará a parpadear el icono, cuya función debe ser activada o desactivada, y el indicador de este icono. El botón FN se desactiva en caso de no pulsarse durante 20 segundos. Es necesario pulsar este botón para volver a cambiar las funciones.

17. Botón Aceptar

Después de navegar por las funciones con la tecla FN, si se cancela la función con la tecla Aceptar, parpadea el indicador correspondiente. Cuando la función está activada, ésta permanece activada. El indicador sigue parpadeando para mostrar el icono de encendido.

18. Botón de la función de congelación rápida

El botón tiene dos funciones. Pulse brevemente este botón para activar o desactivar la función de enfriamiento rápido. El indicador de enfriamiento rápido se apagará y el aparato volverá a sus valores normales.

19. Aviso de desconexión de la alarma

En caso de apagón/alarma de alta temperatura, después de comprobar los alimentos en el compartimento del congelador, pulse el botón de alarma para borrar el icono de advertencia de temperatura alta (12).

20. Reinicio del filtro

El filtro se reajusta cuando se pulsa el botón de apagado de la alarma (19) durante 3 segundos. El icono de restablecimiento del filtro se apaga.

Operación del producto

21. Icono de función “Eco-Fuzzy”

Pulse la tecla FN (hasta que llegue al icono de la letra e) para activar la función “Eco-Fuzzy”. Al pasar el ratón por encima del icono “Eco-Fuzzy”, éste empieza a parpadear. Así, usted puede saber si la función “Eco-Fuzzy” está activada o desactivada. Al pulsar el botón Aceptar, el icono de la función “Eco-Fuzzy” se ilumina continuamente durante este proceso. Si no presiona ningún botón después de 20 segundos, el icono permanece encendido. De este modo, se activa la función “Eco-Fuzzy”. Para cancelar la función “Eco-Fuzzy”, pase de nuevo el ratón por encima del icono y pulse la tecla Aceptar. En este caso, el icono de la función “Eco-Fuzzy” empezará a parpadear. Si no pulsa ningún botón en 20 segundos, el icono se apagará y la función “Eco-Fuzzy” se cancelará.

22. Icono de desactivación de la formación de hielo

Pulse la tecla FN (hasta que llegue al icono de hielo) para apagar la máquina de hielo. El icono de la máquina de hielo apagada comienza a parpadear al pasar el puntero del ratón sobre ella, por lo que podrá saber si la máquina de hielo estará encendida o apagada. Al pulsar el botón Aceptar, el icono de la máquina de hielo se iluminará continuamente durante este proceso. Si no presiona ningún botón al cabo de 20 segundos, el icono y el indicador permanecerán encendidos. De este modo, la máquina de hielo se apagará. Para volver a encender la máquina de hielo, pase el puntero del ratón sobre el icono. El icono de la máquina de hielo apagada comenzará a parpadear. Si pulsa el botón Aceptar, el icono se apagará y la máquina de hielo se volverá a encender.



Indica si el Icematic está encendido o apagado.



El flujo de agua desde el depósito se detendrá al seleccionar esta función. No obstante, podrá seguir extrayendo del Icematic el hielo ya fabricado.

23. Icono de reinicio del filtro

Este icono se enciende al reiniciarse el filtro.

24. Indicador de grados Celsius

Es un indicador de grados Celsius. Cuando se activa la indicación Celsius, los valores de temperatura ajustados se muestran en grados Celsius y se enciende el icono correspondiente.

25. Indicador del compartimento comodín.

Cuando este indicador está activo, la temperatura del compartimento comodín se muestra en el indicador del valor de temperatura. El compartimento comodín puede ajustarse a 10, 8, 6, 4, 2, 0, -2 y -6 °C / 50, 46, 42, 39, 35, 32, 28 y 21 °F mientras está en modo frigorífico y puede ajustarse a -15, -16, -18, -19, -20, -21 y -22 °C / 5, 3, 0, -2, -4, -5 y -7 °F mientras está en modo congelador pulsando el botón de ajuste de temperatura (4).

26. Indicador del compartimento congelador

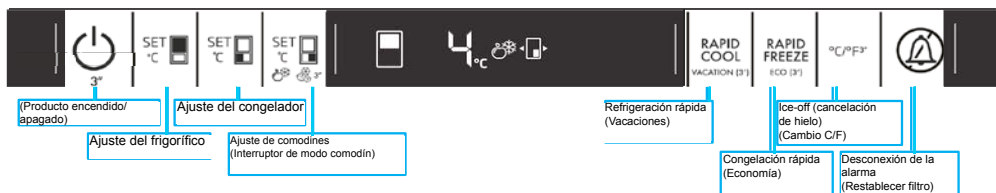
Cuando este indicador está activo, la temperatura del congelador se muestra en el indicador del valor de temperatura, que puede ajustarse en -15, -16, -18, -19, -20 y -22 °C / 5, 3, 0, -1, -2, -3, -4, -5, -6, -7 y -8 °F pulsando el botón de ajuste de la temperatura (4).

Operación del producto

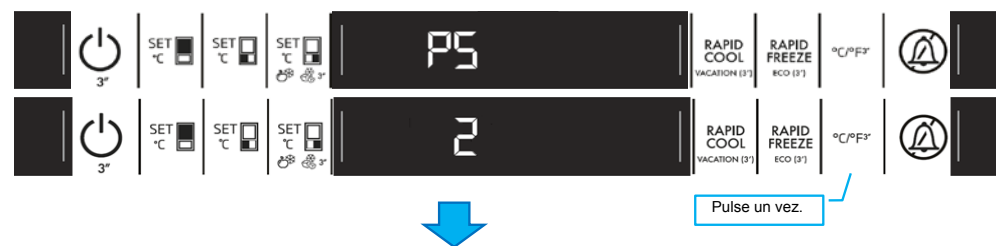
6.2 TABLERO DE CONTROL U4 - PANTALLA 4K FOREVER

ACTIVACIÓN DEL CONTADOR DE FILTRO

El tablero de la placa de mano que usamos en el refrigerador tiene un sistema de ocho teclas. Los valores ajustados se muestran en la pantalla.



Paso 1: Después de encenderlo, presione las teclas Apagado/encendido del producto y Apagado de la alarma durante 3 segundos en cualquier momento para pasar a la pantalla de introducción de la contraseña.



Operación del producto

Después de que la pantalla PS 0 se muestra de nuevo, se interrumpe la alimentación del refrigerador y se vuelve a suministrar. Se activará el contador de filtros. El LED de advertencia del filtro se activa en la pantalla después de 130 días. El temporizador del filtro comienza una cuenta atrás de 130 días al presionar el botón de apagado de la alarma durante 3 segundos después de que el filtro es reemplazado por uno nuevo.

Repita los procedimientos indicados anteriormente para cancelar esta función.

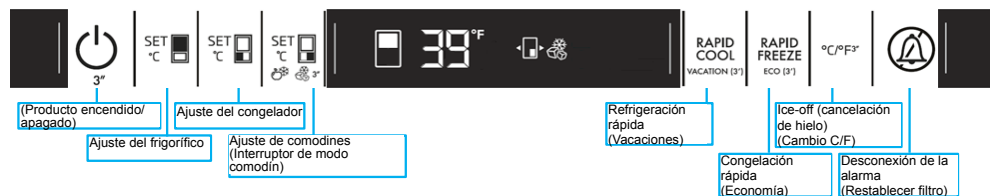


Operación del producto

6.3 TABLERO DE CONTROL U4 - PANTALLA 4K FOREVER

ACTIVACIÓN/DESACTIVACIÓN DE LA FUNCIÓN DE CANCELACIÓN DE HIELO

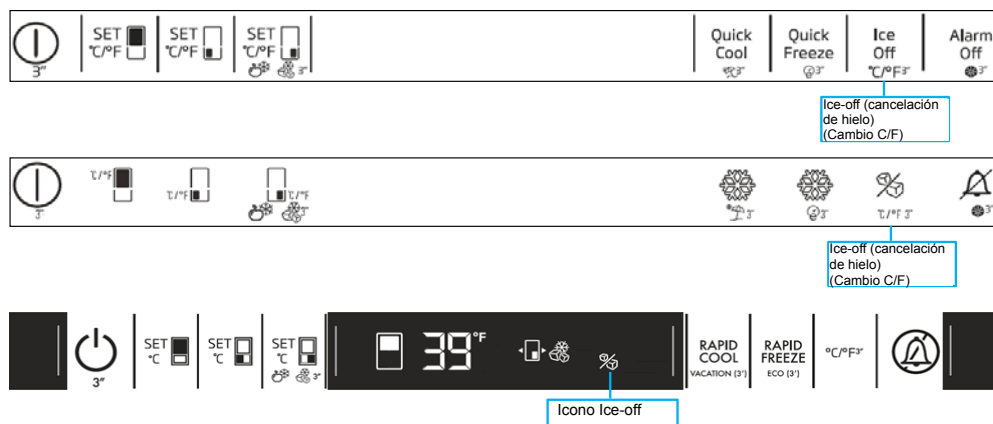
El tablero de la placa de mano que usamos en el refrigerador tiene un sistema de ocho teclas. Los valores ajustados se muestran en la pantalla.



*(presione 3 segundos)

Paso 1: La función de cancelación de hielo (Ice-off) se activa pulsando el botón de Ice-off / °C/°F en cualquier momento después de haber sido activado.

El icono de Cancelación de hielo se enciende en la pantalla y se detiene la formación de hielo.



Cuando se pulsa el botón Ice-off / °C/°F mientras el icono Ice-off está activado, la función Ice-off se desactiva.

El icono de Cancelación de hielo se apaga en la pantalla y se detiene la formación de hielo.

6.4 Congelación de alimentos frescos

- Con el fin de preservar la calidad de la comida, se debe congelar lo más rápidamente posible cuando se coloca en el compartimiento del congelador, utilice la función de congelación rápida para este propósito.
- Es posible almacenar el alimento en el compartimiento del congelador cuando la congela mientras están fresco.
- Empaque la comida a ser congelada y cierre el embalaje de modo que no permita la entrada de aire.
- Asegúrese de empaquetar los alimentos antes de ponerlos en el congelador. Utilice recipientes para congelar, láminas y papeles a prueba de humedad, bolsas de plástico y otros materiales de embalaje en lugar de papeles de embalaje tradicionales.
- Etiquete cada paquete de alimentos y escriba la fecha antes de proceder a la congelación. Es posible distinguir la frescura de cada paquete de alimentos de esta manera al abrir el congelador cada vez. Guarde los alimentos congelados en el lado frontal del compartimiento para asegurarse de que se utilicen primero.
- La comida congelada debe ser utilizada inmediatamente después de que se descongela y no se debe volver a congelar.
- No congele grandes cantidades de alimentos de una sola vez.

6.5 Recomendaciones para la preservación de los alimentos congelados

El compartimiento deberá fijarse a -18°C / 0°F , por lo menos.

1. Coloque los paquetes en el congelador tan pronto como sea posible después de la compra, sin permitir que se descongelen.
2. Compruebe si la fecha de "Usar antes de" y "Mejor consumase antes de" en el envase no se haya cumplido antes de congelarlo.
3. Asegúrese de que el paquete de comida no está dañado.

6.6 Información de congelados

De acuerdo con los estándares IEC 62552, el producto que se congele al menos 4,5 kg de comida en 25°C / 77°F de temperatura ambiente a -18°C / 0°F o inferior dentro de las 24 horas por cada 100 litros de volumen del congelador.

Es posible conservar los alimentos durante mucho tiempo sólo a -18°C / 0°F o temperaturas más bajas.

Puede mantener la frescura de los alimentos durante muchos meses (a -18°C / 0°F o temperaturas más bajas en el congelador).

Los alimentos que deben congelarse no se debe permitir que entren en contacto con los objetos previamente congelados para evitar que se descongelen parcialmente.

Hierva las verduras y drene el agua con el fin de guardar las verduras durante un tiempo más largo, congeladas. Después de drenar el agua, póngalas en paquetes a prueba de aire y colóquelas dentro del congelador. Los alimentos como plátanos, tomates, lechuga, apio, huevos cocidos y patatas no son adecuados para la congelación. Cuando estos alimentos se congelan, solo su valor nutricional y el sabor se verán afectados negativamente. No deben ser echados a perder para que no puedan constituir un riesgo para la salud humana.

Operación del producto

Configuración del congelador	Configuración del frigorífico	Observaciones
-18°C/ 0°F	4°C/ 39°F	Este es el ajuste predeterminado y recomendado.
-20, -22 o /-4,-8,	4°C/ 39°F	Estos ajustes se recomiendan para temperaturas superiores a 30°C/ 86°F.
Congelación rápida	4°C/ 39°F	Úselo cuando desee congelar su comida en poco tiempo. Su aparato regresará a su estado previo cuando la operación haya terminado.
-18°C/ 0°F o más frío	2°C/35°F	Utilice esta configuración si usted piensa que el compartimento frigorífico no está lo suficientemente frío debido a las condiciones ambientales calientes o frecuente apertura y cierre de la puerta.

Temperatura de uso recomendada: FF: 4°C / 39°F Cong: -18°C / 0°F

6.7 Colocación de los alimentos

Estantes del congelador	Varios artículos congelados como carne, pescado, helados, vegetales, etc.
Estantes del frigorífico	Los alimentos en sartenes, platos cubiertos y recipientes cerrados, huevos (en recipiente cerrado)
Estantes de la puerta del compartimento del frigorífico	Alimentos o bebidas pequeños y embalados
Cajón de frutas y verduras	Vegetales y frutas
Compartimento de alimentos frescos	Carnes frías (comida para el desayuno, aparatos cárnicos que se consumen en un corto plazo)

6.9 Luz interior

La luz interior utiliza una lámpara tipo LED. Póngase en contacto con el servicio técnico autorizado para cualquier problema con esta lámpara.

La lámpara(s) que se utiliza en este aparato no es adecuada para la iluminación de una estancia doméstica. El propósito de esta lámpara es ayudar al usuario a colocar los alimentos en el frigorífico / congelador en una manera segura y cómoda.

6.8 Advertencia de puerta abierta

(Esta función es opcional)

Se dará una señal de alarma acústica cuando la puerta de su producto se deje abierta durante 1 minuto. Esta advertencia se silenciará cuando la puerta esté cerrada o cualquiera de los botones de la pantalla (si los hay) se presionen.

6.10 Compartimento frigorífico

Los compartimentos para enfriar permiten preparar la comida para la congelación. También pueden utilizar estos compartimentos para almacenar los alimentos a una temperatura de unos pocos grados por debajo del compartimento del frigorífico.

Puede aumentar el volumen interior de su frigorífico mediante la eliminación de cualquiera de los compartimentos enfriadores:

1. Tire del compartimento hacia usted hasta que se detenga.
2. Levante el compartimiento aproximadamente 1 cm hacia arriba y tire hacia usted para sacarlo de su asiento.

6.11 Cajón para verduras

El cajón para frutas y verduras del refrigerador está diseñado especialmente para mantener las verduras frescas sin perder su humedad. Para este propósito, la circulación del aire fresco se intensifica alrededor del cajón para verduras en general. Retire los estantes de la puerta que se oponen al cajón antes de retirar el cajón.

6.12 Cajón de verduras con humedad controlada

(EverFresh+)

(Esta función es opcional)

Las tasas de humedad de las frutas y verduras se mantienen bajo control gracias a los cajones con control de humedad y por lo tanto la comida está garantizada para mantenerse fresca durante un período más largo.

Recomendamos que coloque las verduras de hoja como la lechuga y las espinacas, y verduras sensibles a la pérdida de humedad lo más horizontalmente posible al ponerlas en el cajón, no en una posición horizontal sobre sus raíces.

Mientras se van sustituyendo los vegetales, sus pesos específicos se deben tomar en consideración. Los vegetales pesados y duros deben ser colocados en la parte inferior del cajón de verduras y los vegetales ligeros y suaves deben estar en la parte superior.

Nunca deje las verduras en sus bolsas de plástico en el cajón. Si se dejan en sus bolsas de plástico, esto hará que se pudran dentro de un rato. Si prefiere que la verdura no esté en ponerse con otros vegetales por razones de higiene, utilice papel perforado o un material similar en lugar de bolsas de plástico.

No coloque las peras, albaricoques, melocotones, etc., especialmente los frutos que generan grandes cantidades de etileno, en el mismo cajón con otras frutas y verduras. El gas etileno emitido por estas frutas causa que otras frutas maduren más pronto y se pudran en un lapso de tiempo más corto.

6.13 Bandeja para huevos

Puede instalar el soporte para huevos a la puerta deseada o un estante dentro del cuerpo del frigorífico.

Nunca ponga el soporte para huevos en el compartimiento del congelador.

Operación del producto

6.14 Sección media móvil

La sección media móvil pretende evitar que el aire frío dentro de su frigorífico se escape.

1- El sellado se proporciona cuando las juntas en las prensas de la puerta en la superficie de la sección media móvil de las puertas del compartimento de refrigeración están cerradas.

2- Otra razón por la que su frigorífico está equipado con una sección media móvil es que aumenta el volumen neto del compartimento del frigorífico. Las secciones intermedias estándar ocupan algo de volumen no utilizable en el refrigerador.

3-La sección media móvil está cerrada cuando la puerta izquierda del compartimento de refrigeración se abre.

4-No se debe abrir manualmente. Se mueve bajo la guía de la pieza de plástico en el cuerpo mientras que la puerta está cerrada.



6.15 Control de enfriar del compartimento para almacenamiento

El control de enfriar del compartimento de almacenamiento de su frigorífico puede ser utilizado en cualquier modo deseado ajustándolo a las temperaturas del refrigerador (2/4/6/8 °C/ 34, 43, 44,46°F) o del congelador (-18/-20/-22/-24°C/ 0,-4,-8,-12°F). Puede mantener el compartimento a la temperatura deseada con el botón de ajuste de control de enfriado del compartimento de almacenamiento. La temperatura de control de enfriado del compartimento de almacenamiento puede ajustarse a 0 y 10 grados Además de

las temperaturas del compartimento frigorífico y a -6 grados, además de las temperaturas del compartimento congelador. 0 grados se utiliza para almacenar los productos de carnes frías más tiempo, y -6 grados se utiliza para mantener las carnes hasta 2 semanas en una condición en la que fácilmente se pueda rebanar.

La función de cambiar a un compartimento refrigerador o el congelador es proporcionada por un elemento de refrigeración situado en la sección cerrada (Compartimento del compresor) detrás del frigorífico. Durante el funcionamiento de este elemento, se escucha un sonido similar al sonido del segundero de un reloj analógico. Esto es normal y no indica mal funcionamiento.

6.16 Luz azul

(en algunos modelos)

El cajón de frutas y verduras del frigorífico se ilumina con una luz azul. Los alimentos almacenados en el cajón continúan su fotosíntesis por medio del efecto de la longitud de onda de la luz azul y por lo tanto, preservan su frescura y aumentan su contenido de vitaminas.

6.17 Filtro de olores

El filtro de olores en el conducto de aire del compartimento del frigorífico evita la acumulación de olores desagradables en el refrigerador.

6.18 Icematic

(en algunos modelos)

Para obtener hielo del icematic, rellene el depósito de agua en el compartimento frigorífico con agua hasta el nivel máximo.

Los cubitos de hielo en el cajón de hielo pueden pegarse unos con otros y convertirse en un bloque debido al calor y a la humedad del aire en aproximadamente 15 días. Esto es normal. Si no puede separar el bloque, puede vaciar el contenedor de hielo y volver a hacer hielo.



Se recomienda cambiar el agua en el depósito de agua si ésta permanece en el depósito de agua durante más de 2 o 3 semanas.



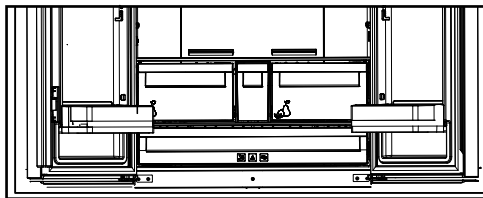
Los ruidos extraños que puede escuchar provenientes del refrigerador en intervalos de 120 minutos son los sonidos de la formación y vertido del hielo. Esto es normal.

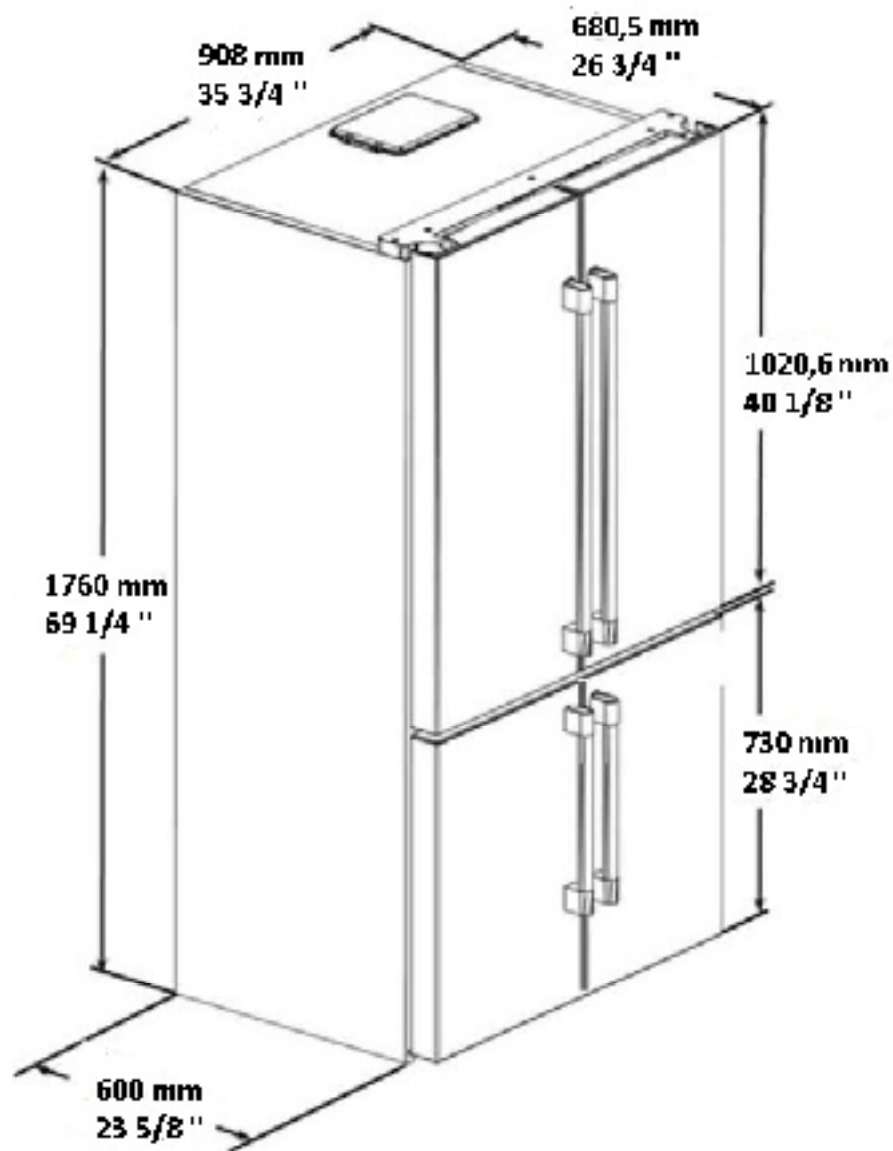


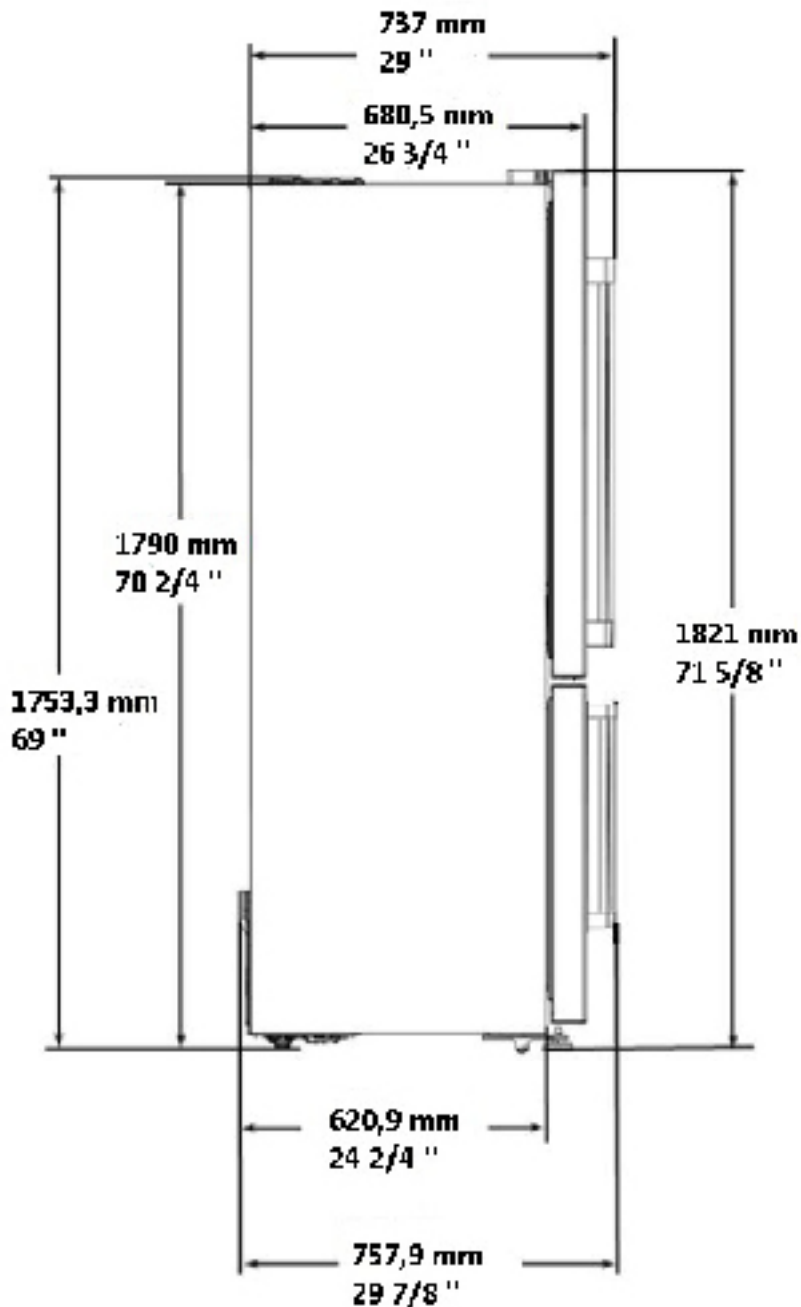
Si no desea crear hielo, pulse el icono Ice off (hielo apagado) para detener el icematic y ahorrar energía y prolongar la vida útil de su frigorífico.



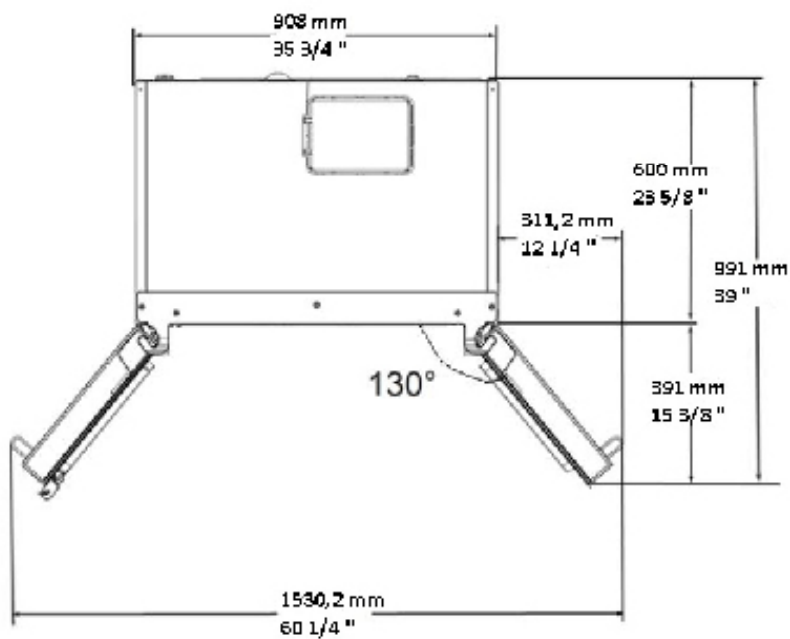
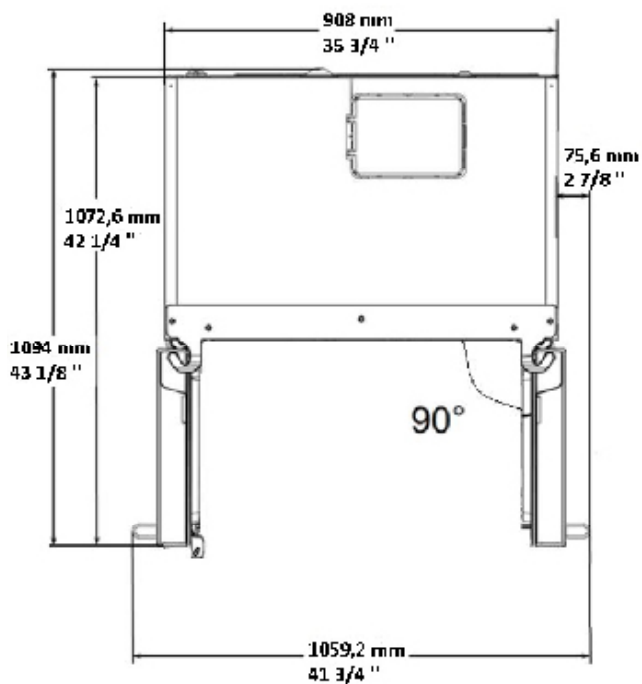
Es normal que tras retirar el agua se produzca un ligero goteo del dispensador.







Operación del producto



7 Limpieza y mantenimiento

Limpie el aparato con regularidad, esto prolongará su vida útil.



ADVERTENCIA: Desconecte la alimentación antes de limpiar el refrigerador.

- No utilice herramientas afiladas ni abrasivas, jabones, aparatos de limpieza de casa, detergentes, gas, gasolina, barniz ni sustancias similares para la limpieza.
- En el caso de productos que no sean sin escarcha, se pueden producir gotas de agua y una capa de hielo en la pared trasera del compartimento del frigorífico. No lo limpie, nunca aplique aceite o agentes similares en el mismo.
- Utilice solo paños de microfibra ligeramente humedecidos para limpiar la superficie exterior del producto. Las esponjas u otro tipo de paños de limpieza pueden rayar la superficie.
- Derrita una cucharada de carbonato en agua. Humedezca un trozo de tela en el agua y escurra. Limpie el dispositivo con el paño y seque a fondo.
- Tenga cuidado en mantener el agua lejos de la cubierta de la lámpara y otras partes eléctricas.
- Limpie la puerta con un paño húmedo. Retire todos los elementos en el interior para separar las puertas y estantes del mueble. Levante los estantes de la puerta hasta desprenderlos de su riel. Limpie y seque las estanterías, a continuación, colóquelas de nuevo en su lugar deslizándolas desde arriba.
- No use agua con cloro ni aparatos de limpieza en la superficie exterior y las piezas de revestidas de cromo del aparato. El cloro causará herrumbre en este tipo de superficies metálicas.

7.1 Prevención del mal olor

El aparato se fabrica libre de cualquier material oloroso. Sin embargo, mantener la comida en secciones inadecuadas y una limpieza inadecuada de las superficies internas puede causar mal olor. Para evitar esto, limpie el interior con agua carbonatada cada 15 días.

- Mantenga los alimentos en envases sellados. Los microorganismos pueden propagarse fuera de los alimentos no sellados y causar mal olor.
- No guarde alimentos caducados y en mal estado en el refrigerador.
- No utilice herramientas afiladas y abrasivas ni jabón, productos de limpieza domésticos, detergentes, gasolina, benceno, cera, etc., de lo contrario los sellos en las piezas de plástico se caerán y deformarán. Use agua tibia y un paño suave para limpiar y secar.

7.2 Protección de superficies de plástico

El aceite derramado en las superficies de plástico puede dañar la superficie y debe ser limpiado inmediatamente con agua tibia.

8. Solución de problemas

Revise esta lista antes de contactar con el servicio técnico. Si lo hace, le ahorrará tiempo y dinero. Esta lista incluye quejas frecuentes que no están relacionados con la mano de obra ni materiales defectuosos. Algunas funciones mencionadas en este documento pueden no ser aplicables a su aparato.

El refrigerador no está funcionando.

- El enchufe no está totalmente en la toma.
>>> Basta conectarlo para asentarlo por completo en la toma.
- El fusible conectado a la toma de alimentación del aparato o el fusible principal está fundido.
>>> Revise los fusibles.

Condensación en la pared lateral del compartimento de enfriamiento (MULTI ZONA, REFRIGERADOR, CONTROL y FLEXI ZONA).

- La puerta se abre con demasiada frecuencia
>>> Tenga cuidado de no abrir la puerta del aparato con demasiada frecuencia.
- El medio ambiente es demasiado húmedo.
>>> No instale el aparato en ambientes húmedos.
- Los alimentos que contienen líquidos se mantienen en sus envases sin sellar. >>> Mantenga los alimentos que contengan líquidos en los envases sellados.
- La puerta del aparato se deja abierta. >>> No mantenga la puerta del aparato abierta durante largos periodos.
- El termostato está ajustado a una temperatura demasiado baja. >>> Ajuste el termostato a la temperatura adecuada.

El compresor no está funcionando.

- En caso de fallo de alimentación repentino o tirando del enchufe de alimentación y poniéndolo de nuevo, la presión del gas en el sistema de refrigeración del aparato no será equilibrada, lo que desencadena la salvaguardia térmica del compresor. El aparato se reiniciará después de aproximadamente 6 minutos. Si el aparato no se reinicia después de este periodo, póngase en contacto con el servicio.
- La descongelación está activa. >>> Esto es normal para un aparato de descongelación completamente automático. La descongelación se realiza periódicamente.
- El aparato no está enchufado >>> Asegúrese de que el cable de alimentación esté enchufado.
- El ajuste de la temperatura es incorrecto. >>> Seleccione el ajuste de la temperatura adecuado.
- No hay energía eléctrica. >>> El aparato continuará funcionando con normalidad una vez que se restablezca la alimentación.

El ruido de funcionamiento del refrigerador aumenta mientras está en uso.

- El desempeño operativo del aparato puede variar en función de las variaciones de la temperatura ambiente. Esto es normal y no indica mal funcionamiento.

El refrigerador funciona demasiado a menudo o por demasiado tiempo.

La temperatura del congelador es muy baja, pero la temperatura del refrigerador es adecuada.

- La temperatura del compartimento congelador se establece a un grado muy bajo. >>> Ajuste la temperatura del compartimento del congelador a un grado más alto y vuelva a intentarlo.

La temperatura del refrigerador es muy baja, pero la temperatura del congelador es adecuada.

- La temperatura del compartimento congelador se establece a un grado muy bajo. >>> Ajuste la temperatura del compartimento del refrigerador a un grado más alto y vuelva a intentarlo.

Solución de problemas

Los alimentos guardados en los cajones del compartimento de refrigeración se congelan.

- La temperatura del compartimento congelador se establece a un grado muy bajo. >>> Ajuste la temperatura del compartimento del congelador a un grado más alto y vuelva a intentarlo.

La temperatura en el refrigerador o el congelador es demasiado alta.

- La temperatura del compartimento del congelador se establece a un grado muy bajo. >>> El ajuste de temperatura del compartimento del refrigerador influye en la temperatura del compartimento del congelador. Cambie la temperatura del compartimento del refrigerador o congelador y espere a que los compartimentos pertinentes alcancen el nivel de temperatura ajustado.
- Las puertas se abren frecuentemente o se mantienen abiertas durante largos períodos. >>> No abra las puertas con demasiada frecuencia.
- La puerta puede estar abierta. >>> Cierre la puerta por completo.
- El aparato puede haber sido conectado recientemente o un nuevo alimento fue colocado en su interior. >>> Esto es normal. El aparato tardará más en alcanzar la temperatura fijada fue enchufado recientemente o si un nuevo alimento se coloca en el interior.
- Grandes cantidades de alimentos calientes pueden haber sido colocados recientemente en el aparato. >>> No coloque alimentos calientes en el interior del aparato.

Ruido o agitación.

- El suelo no está nivelado o no es firme. >>> Si el aparato está temblando cuando se mueve lentamente, ajuste las patas para equilibrar el aparato. También asegúrese de que el suelo sea lo suficientemente resistente para soportar el aparato.
- Cualquier artículo colocado sobre el aparato pueden causar ruido. >>> Retire todos los objetos colocados sobre el aparato.

El aparato está haciendo ruido de flujo de líquido, rociado, etc.

- Los principios de funcionamiento del aparato implican flujos de líquido y gas. >>> Esto es normal y no indica mal funcionamiento.

Hay sonido del viento que sopla procedente del aparato.

- El aparato utiliza un ventilador para el proceso de enfriamiento. Esto es normal y no indica mal funcionamiento.

Hay condensación en las paredes internas del aparato.

- El clima caliente o húmedo aumentarán la formación de hielo y de condensación. Esto es normal y no indica mal funcionamiento.
- Las puertas se abren frecuentemente o se mantienen abiertas durante largos períodos. >>> No abra las puertas con demasiada frecuencia, si están abiertas, ciérrelas.
- La puerta puede estar abierta. >>> Cierre la puerta por completo.

Hay condensación en el exterior del aparato o entre las puertas.

- Puede ser por que el clima ambiental sea húmedo, esto es bastante normal en ambientes húmedos. >>> La condensación se disipará cuando se reduzca la humedad.

El interior huele mal.

- El aparato es limpiado regularmente. >>> Limpie el interior con regularidad utilizando una esponja, agua caliente y agua carbonatada.
- Ciertos envases y materiales de embalaje pueden causar olor. >>> Utilice envases y materiales de embalaje que sean exentos de olores.
- Los alimentos se colocan en envases no sellados. >>> Mantenga los alimentos en envases sellados. Los microorganismos pueden propagarse fuera de los alimentos no sellados y causar mal olor.
- Retire todos los alimentos caducados o en mal estado del aparato.

La puerta no se cierra.

Solución de problemas

- Los paquetes de alimentos pueden estar bloqueando la puerta. >>> Cambie de lugar los elementos que bloqueen las puertas.
- El aparato no está en posición vertical sobre la base. >>> Ajuste los soportes para equilibrar el aparato.
- El suelo no está nivelado o no es firme. >>> Asegúrese de que el suelo esté nivelado y sea lo suficientemente resistente para soportar el aparato.

La bandeja de las vegetales se ha atascado.

- Los alimentos pueden estar en contacto con la parte superior del cajón. >>> Reorganice los alimentos en el cajón.

Si la superficie del producto está caliente.

- Pueden observarse altas temperaturas entre las dos puertas, en los paneles laterales y en la parrilla trasera mientras el producto esté en funcionamiento. Se trata de algo normal y no requiere mantenimiento del servicio.



ADVERTENCIA: Si el problema persiste después de seguir las instrucciones de esta sección, póngase en contacto con su vendedor o un Servicio Autorizado. No trate de reparar el aparato.



ADVERTENCIA: • Este producto puede exponerlo a productos químicos incluido el níquel (metálico) que se conoce en el Estado de California como causante de cáncer.

• Para más información, visite www.p65warnings.co.gov

• Nota: El níquel es un componente en todo acero sin satinar y algunos otros componentes metálicos.

DECLARACIÓN DE LA GARANTÍA PARA LOS REFRIGERADORES BEKO

Las garantías proporcionadas por Beko en estas declaraciones se aplican solamente a los refrigeradores Beko vendidos al comprador o propietario original en Estados Unidos y Canadá. La garantía no es transferible. Para obtener el servicio de la garantía, comuníquese con nuestro distribuidor más cercano, según se indican por estado y provincia. Necesitará el número de modelo, el número de serie, y el nombre y dirección del vendedor de su refrigerador, donde lo compró y la fecha de compra /fecha de instalación. Esta garantía le otorga derechos legales específicos y también puede tener otros derechos, que varían según el estado. También, asegúrese de registrar su producto para la garantía en www.beko.us

2 años (*) de garantía total a partir de la fecha de la primera instalación

Beko reparará o reemplazará sin ningún costo para el consumidor las piezas defectuosas del refrigerador si se utilizó bajo condiciones de electrodoméstico normal (la garantía se anula si este producto se usa de forma comercial, por ejemplo en un hotel, hogar de ancianos, etc.) A la reparación la debe realizar una agencia de servicio autorizada de Beko. (Los defectos cosméticos se deben informar en un plazo de 10 días hábiles a partir de la instalación). La garantía de 2 años de los accesorios es para las piezas solamente y no incluye la mano de obra.

3 a 5 años (*, **) de garantía limitada a partir de la fecha de la primera instalación

(para las piezas solamente de 3 a 5 años) Beko reparará o reemplazará cualquier compresor, evaporador, condensador o secadora sin costo para el consumidor si los defectos en el material o la mano de obra causaron daños o fallas en estos componentes.

El refrigerador se debe haber usado bajo condiciones normales de electrodoméstico y no de manera comercial (los cargos por mano de obra son responsabilidad del consumidor).

Exención de las garantías y exclusiones:

La garantía no cubre los costos de reparación por parte de un agente de servicio autorizado para corregir la instalación, los problemas eléctricos o la instrucción educativa sobre el uso del refrigerador. La garantía tampoco cubre los defectos o daños causados por casos fortuitos (como tormentas, inundaciones, incendios, aludes, etc.), los daños causados por el uso del refrigerador para fines que no son para los que se diseñó, tampoco el mal uso, abuso, accidente, alteración, instalación incorrecta, mantenimiento, cargos de traslado, llamadas al servicio fuera de las horas de trabajo normales, recolección y entrega, cualquier pérdida de comida debido a la falla del producto, trabajo de reparación no autorizado o reparadores.

Este producto está completamente probado y pasó las inspecciones de control de calidad oficiales antes de dejar el sitio de fabricación original. Los términos de la garantía para este electrodoméstico Beko no son válidos si un distribuidor autorizado, reparador, vendedor de terceros, revendedor u otra persona autorizada altera, modifica o coloca piezas adicionales en el producto y vuelve a empaclarlo.

EN LA MEDIDA PERMITIDA POR LA LEY, ESTA GARANTÍA SUSTITUYE TODAS LAS OTRAS GARANTÍAS EXPRESAS E IMPLÍCITAS INCLUIDAS LAS GARANTÍAS IMPLÍCITAS DE COMERCIABILIDAD Y APTITUD PARA UN FIN PARTICULAR. BEKO NO ASUME NINGUNA RESPONSABILIDAD POR LA CALIDAD DE ESTE PRODUCTO EXCEPTO LO INDICADO EN ESTA DECLARACIÓN DE GARANTÍA. BEKO NO SE HACE RESPONSABLE DE QUE EL PRODUCTO SE ADAPTE A ALGÚN FIN PARTICULAR PARA EL QUE USTED PUEDA COMPRAR ESTE PRODUCTO, EXCEPTO PARA LO INDICADO EN ESTA DECLARACIÓN DE GARANTÍA.

Beko no asume ninguna responsabilidad por los daños incidentales o resultantes. Esos daños incluyen, entre otros, pérdidas de ganancias, pérdidas de ahorros o ingresos, pérdidas del uso del refrigerador o cualquier otro equipo asociado, costos de capital, costos de cualquier equipo sustituto, instalaciones o servicios, tiempo de inactividad, reclamos de terceros y daños en la propiedad. Algunos estados no permiten la exclusión o limitación de los daños incidentales o resultantes, por lo tanto las anteriores limitaciones o exclusiones pueden no aplicarse en su caso.

(*) La fecha de instalación debe ser la fecha de compra o 5 días hábiles después de la entrega del producto al hogar, lo que ocurra después.

(**) Las piezas reemplazadas asumirán la identidad de las piezas originales + su garantía original.

Ninguna otra garantía. Esta Declaración de la garantía es la garantía completa y exclusiva del fabricante. Ningún empleado de Beko o cualquier otra parte está autorizado a realizar declaraciones de la garantía además de las que aparecen en esta Declaración de la garantía.

Guarde esta tarjeta de la garantía, el manual del usuario y el recibo de la venta para referencia futura.

CÓMO OBTENER SERVICIO

Contacte con su distribuidor autorizado Beko local, o llame a nuestro número gratuito de atención al cliente en el 1-888-352 BEKO (2356) para obtener la dirección de un agente de servicio técnico autorizado por Beko o contacte mediante la web <http://www.beko.us>. También puede buscar una lista de distribuidores autorizados en la sección "Dónde comprar" en el sitio web para obtener más referencias.