

# BFSB3622XSS



## 36" Counter-Depth Side-by-Side Refrigerator



### GENERAL PROPERTIES

|                                 |   |
|---------------------------------|---|
| Type                            | Freestanding  |
| Style                           | Counter-Depth Side-by-Side                                |
| Finish                          | Fingerprint-Free Stainless Steel with Finished Gray Sides |
| Handles                         | Pro Handle - Rounded Stainless Steel                      |
| Metal Back Wall                 | -   |
| Cooling System                  | NeoFrost™ Dual Cooling Technology                         |
| Control System                  | Electronic Controls                                       |
| Control Display Type & Location | Digital LED Display on Dispenser                          |
| Child Lock                      | Yes   |
| Connectivity                    | -   |

### CAPACITY

|                       |               |
|-----------------------|---------------|
| Total Net Volume      | 20.15 cu. ft. |
| Fresh Food Net Volume | 13 cu. ft.    |
| Freezer Net Volume    | 7.15 cu. ft.  |



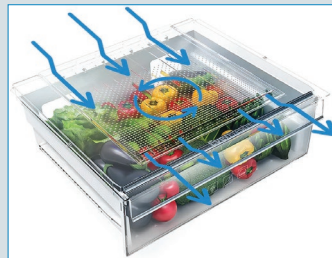
CEE Tier 1

## PREMIUM TECHNOLOGY



### HARVESTFRESH™

Proprietary 3-color light technology simulates the 24-hour cycle of the sun. By mimicking a full day of sunshine, produce has been proven to retain its vitamins and minerals for up to five days longer than ordinary refrigerators.



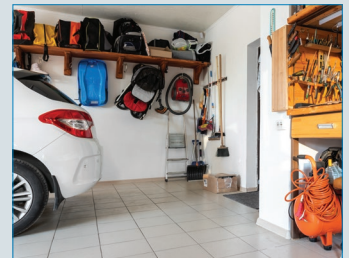
### EVERFRESH+™

EverFresh+ technology keeps fresh food fresher three times longer than the average refrigerator—for up to 30 days! Meticulous temperature management and precise humidity control mean every stalk, head, or bunch you bought as a healthy option or key ingredient stays fresher longer.



### NEOFROST™ DUAL COOLING TECHNOLOGY

NeoFrost™ Dual Cooling's separate cooling systems for each compartment maintain ideal air flow and optimal temperatures with a high level of humidity in both the freezer and the fridge.



### FREEZE GUARD

Beko Freeze Guard technology uses an inverter compressor and electronic temperature control system to ensure the freezer continues to work in ambient temperatures as low as 5° F, without any loss of performance.\*

\*The fridge compartment will not work properly in low temperatures, so we recommend you only use the freezer compartment in low ambient temperatures.

## 36" Counter-Depth Side-by-Side Refrigerator

| PERFORMANCE                   |   |
|-------------------------------|---|
| Fresh Food Temperature Range* | 36° F to 46° F  |
| Freezer Temperature Range*    | -8° F to 5° F   |
| Environment Temperature Range | Operates in Temperatures Between 32° F and 110° F   |
| Freeze Guard                  | Yes, Freezer Operates in Temperatures as Low as 5° F  |
| Modes                         | On/Off Power, On/Off Icemaker, Temperature Control, Water Filter Reset, Quick Cool, Quick Freeze, Vacation, Sabbath |
| Compressor                    | Variable Speed VCC  |
| ENERGY STAR® Certified        | Yes   |
| Annual Energy Consumption     | 594 kwh/year  |

| DISPENSER FEATURES                  |                                     |
|-------------------------------------|-------------------------------------|
| Through-the-Door Filtered Dispenser | Yes (Water, Cubed Ice, Crushed Ice) |

| FRESH FOOD FEATURES                |  |
|------------------------------------|--|
| Water Filter with Alert (6 Months) | Yes  |
| Crispers                           | 2 - Humidity Controlled                    |
| EverFresh+™ Crispers               | Yes  |
| HARVESTfresh™ Crisper(s)           | Yes  |
| Full-Width Deli Drawer             | Yes  |
| Shelves                            | 3 - Full-dept, Safety Glass (3 Adjustable) |
| Total Number of Door Bins          | 5  |
| Gallon-Sized Door Bins             | 1  |
| Dairy Compartment                  | Yes  |
| Wine Rack                          | Yes  |
| Odor Control Technology            | -  |
| Sabbath Mode                       | Yes  |
| Eco-Mode                           | -  |
| Door Open Alarm                    | Yes  |
| Interior Illumination              | LED - Side Walls                           |

| FREEZER FEATURES                 |                                 |
|----------------------------------|---------------------------------|
| Freezer Drawers / Baskets / Bins | 2 Drawers                       |
| Freezer Shelves                  | 4 - Safety Glass (3 Adjustable) |
| Freezer Door Bins                | 3                               |
| Freezer Interior Illumination    | LED - Side Walls                |
| Automatic Ice Maker              | Yes, Makes up to 4.4 lbs./Day   |
| Auto Defrost                     | Yes                             |

| TECHNICAL INFORMATION     |               |
|---------------------------|---------------|
| Volts / Frequency         | 120 V / 60 Hz |
| Rated Current (A)         | 2.5 A         |
| Min. Circuit Breaker Size | 15 Amp        |
| Sound Level               | 43 dBA        |
| Refrigerant Type          | R134a         |
| Plug Type                 | NEMA 3-Prong  |
| Power Cord Length         | 6 ft.         |

| DIMENSIONS & WEIGHT      |                              |
|--------------------------|------------------------------|
| Product (H x W x D) (in) | 70 1/2 x 35 3/4 x 28 7/8     |
| Height With Hinge Cap    | 70 1/2                       |
| Height Without Hinge Cap | 69                           |
| Depth With Handles       | 28 7/8                       |
| Depth Without Handles    | 26 7/8                       |
| Depth Without Doors      | 23 5/8                       |
| Carton (H x W x D) (in)  | 75 3/16 x 38 9/16 x 30 11/16 |
| Product Weight (lbs)     | 245.2                        |
| Shipping Weight (lbs)    | 266.8                        |

| ACCESSORIES (INCLUDED) |            |
|------------------------|------------|
| Water Filter           | 4918450200 |

| ACCESSORIES (OPTIONAL)   |            |
|--------------------------|------------|
| Replacement Water Filter | 4918450200 |

\* Actual temperatures may vary with environment and other factors

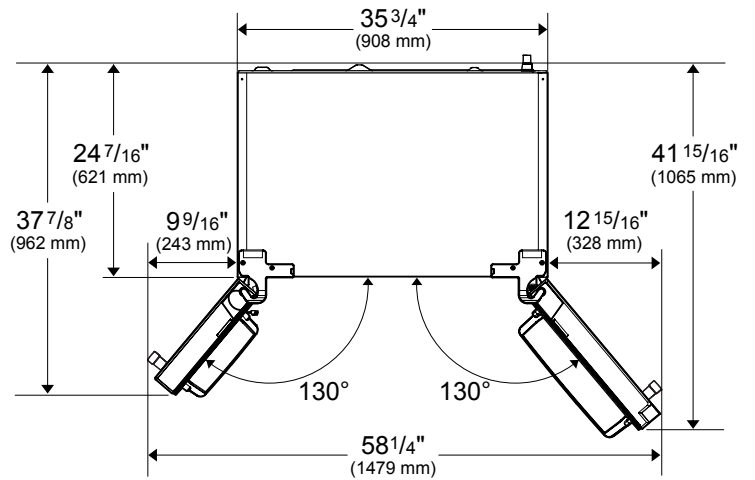
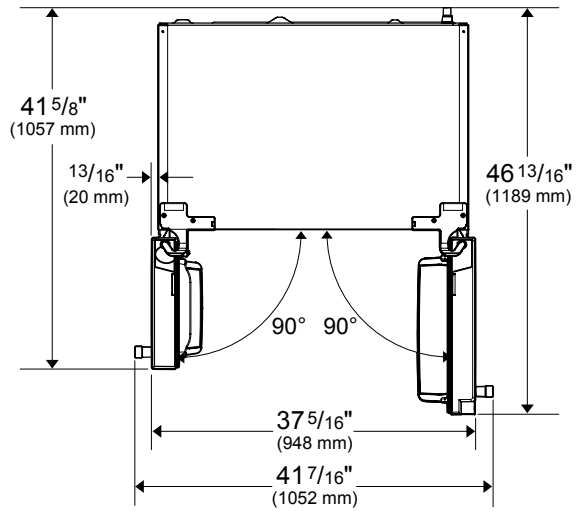
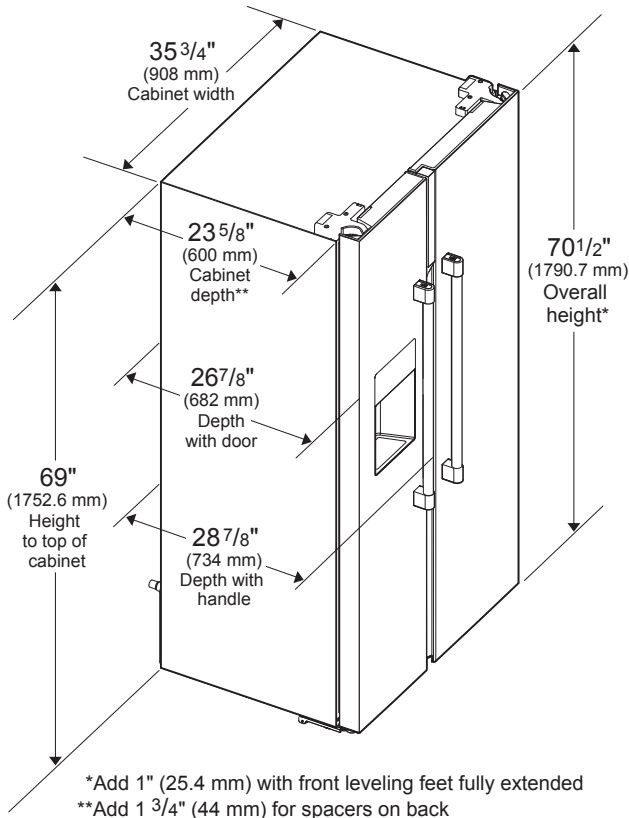
# BFSB3622XSS



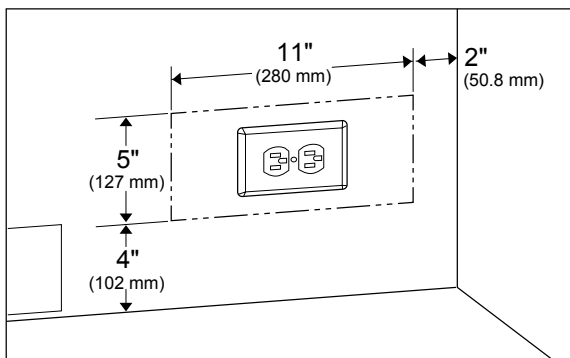
## 36" Counter-Depth Side-by-Side Refrigerator

### WARRANTY

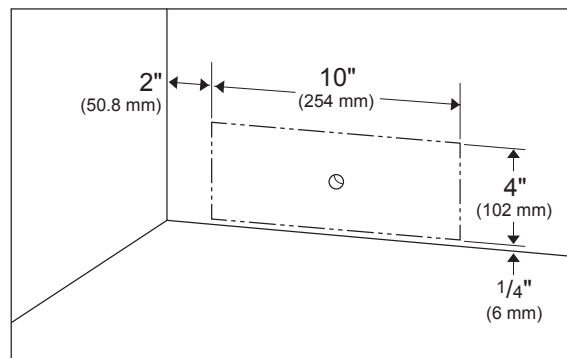
|                                  |                         |
|----------------------------------|-------------------------|
| Entire Appliance (Parts & Labor) | 2-year Full Warranty    |
| Sealed System (Parts Only)       | 5-year Limited Warranty |



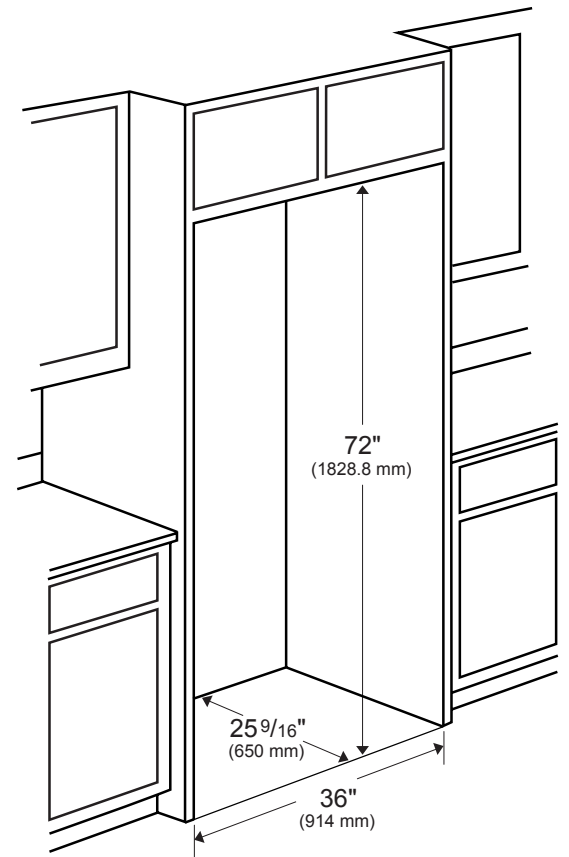
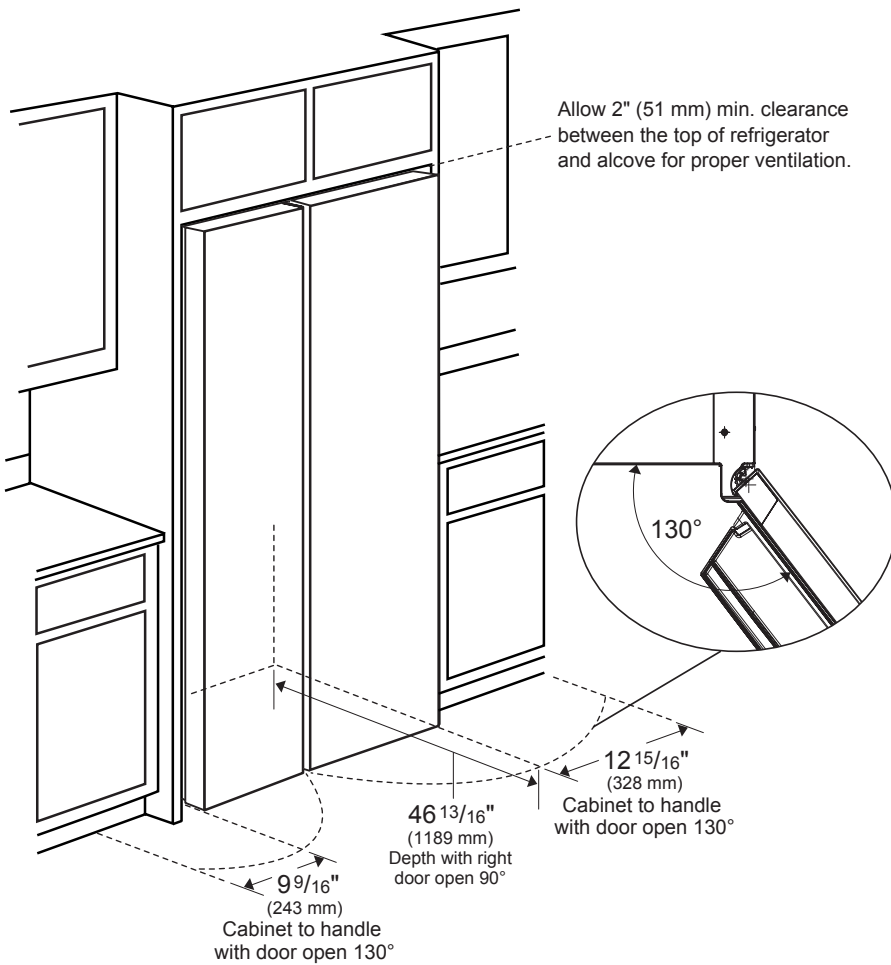
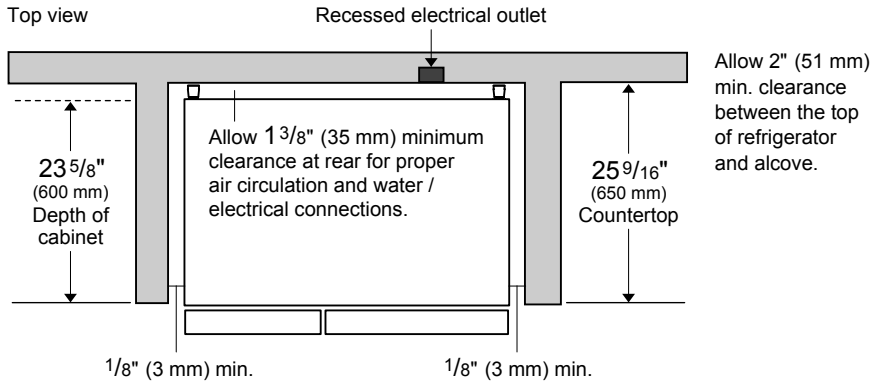
### Electrical Location



### Water Location (Models with Ice Maker)



## 36" Counter-Depth Side-by-Side Refrigerator



NOTE TO THE INSTALLER: All height, width, and depth dimensions are shown in inches (as well as metric). Beko U.S., Inc. reserves the absolute and unrestricted right to change product materials and specifications, at any time, without notice. Please visit our website, [www.BekoAppliances.com](http://www.BekoAppliances.com), or call 888.352.2356 to verify the latest specifications with final dimensional data and other details prior to installation and making a cutout. Applicable product limited warranty information may be found in accompanying product materials, or you may contact your account manager for further details. Proper installation is the responsibility of the installer. Product failure due to improper installation is not covered under the Limited Warranty.