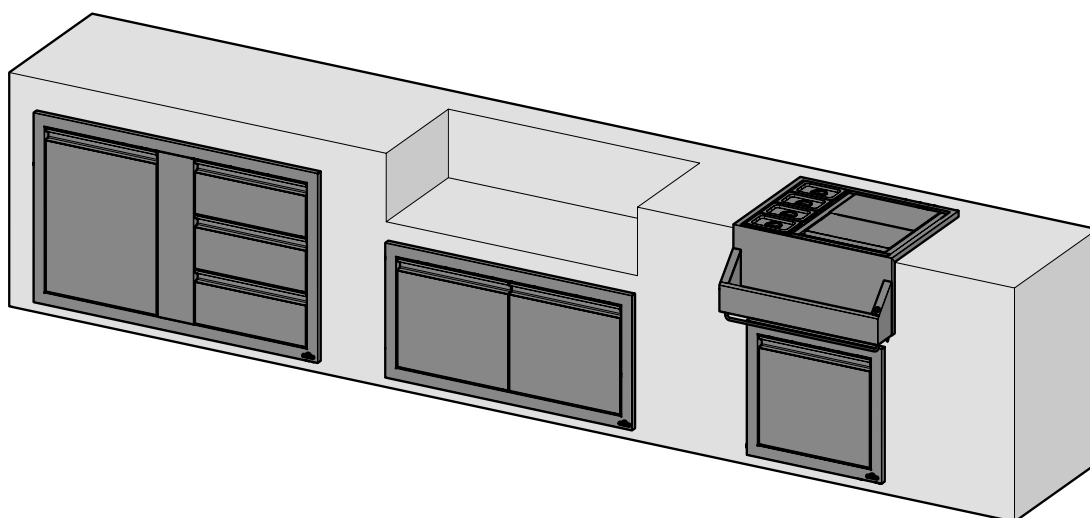




BUILT-IN COMPONENTS



PG.23

Notice to Installer: Leave these instructions with the grill owner for future reference.

Note à l'installateur : Laissez ces instructions au propriétaire du gril pour consultation ultérieure.

Oznámení k montáži: Zanechte tento návod s grilem pro budoucí použití.

Upozornenie k inštalácii: Zanechajte tento návod pre budúce použitie grilu.

Huomautus asentajalle: tämä käyttöohje on aina jätettävä grillin omistajan haltuun mahdollista tulevaa käyttötarvetta varten.

Meddelande till installatören: Lämna instruktionerna hos grillens ägare för framtida referens.

Napomena instalateru: upute ostavite vlasniku roštilja za buduću uporabu.

Obvestilo inštalaterju: pustite ta navodila lastniku žara za poznejšo uporabo.

Bitte Bewahren Sie Diese Anleitung Auf

Bewaar deze handleiding als referentie

Merknad til installatøren: Lever disse instruksjonene til eieren, som skal beholde dem for fremtidig bruk.

Informacja dla instalatora: Zostaw te instrukcje u właściciela grilla na przyszłość.

Til ejer af grillen: Gem denne vejledning til senere brug.

Устанавливающему на заметку: Оставьте данную инструкцию владельцу гриля в качестве справочного материала.

Conservare Il presente Manuale Per Riferimenti Futuri

Wolf Steel Ltd.
214 Bayview Drive,
Barrie, Ontario, CANADA L4N 4Y8
grills@napoleon.com

Wolf Steel Europe BV
Poppenbouwing 29-31, 4191 NZ Geldermalsen,
CCI No. 51509970, THE NETHERLANDS
info@napoleongrills.nl



EN

FR

CZ

SK

FI

SE

HR

SI

DE

NL

NO

PL

DA

RU

IT

Napoleon President's Lifetime Warranty



NAPOLEON products are designed with superior components and materials, and are assembled by trained craftsmen who take great pride in their work. This product has been thoroughly inspected by a qualified technician before packaging and shipping to ensure that you, the customer, receive the quality product you expect from NAPOLEON.

NAPOLEON warrants that components in your new NAPOLEON product will be free from defects in material and workmanship from the date of purchase, for the following period:

Stainless steel componentsLifetime

All other outdoor parts2 years

***Conditions and Limitations**

This Limited Warranty creates a warranty period as specified in the aforementioned table, for any product purchased through an authorized NAPOLEON dealer, and entitles the original purchaser to the specified coverage in respect of any component replaced within the warranty period, either by NAPOLEON or an authorized NAPOLEON dealer, to replace a component of such product that has failed in normal private use as a result of a manufacturing defect. The "50% off" indicated in the table means the component is made available to the purchaser at a 50% discount off the regular retail price of the component for the period indicated. This Limited Warranty does not cover accessories or bonus items.

For greater certainty, "normal private use" of a product means that the product: has been installed by a licensed, authorized service technician or contractor, in accordance with the installation instructions included with the product and all local and national building and fire codes; has been properly maintained; and has not been used as a communal amenity or in a commercial application.

Similarly, "failure" does not include: over-firing, blow outs caused by environmental conditions such as strong winds or inadequate ventilation, scratches, dents, corrosion, deterioration of painted and plated finishes, discoloration caused by heat, abrasive or chemical cleaners or UV exposure, chipping of porcelain enameled parts, or damages caused by misuse, accident, hail, grease fires, lack of maintenance, hostile environments such as salt or chlorine, alterations, abuse, neglect or parts installed from other manufacturers.

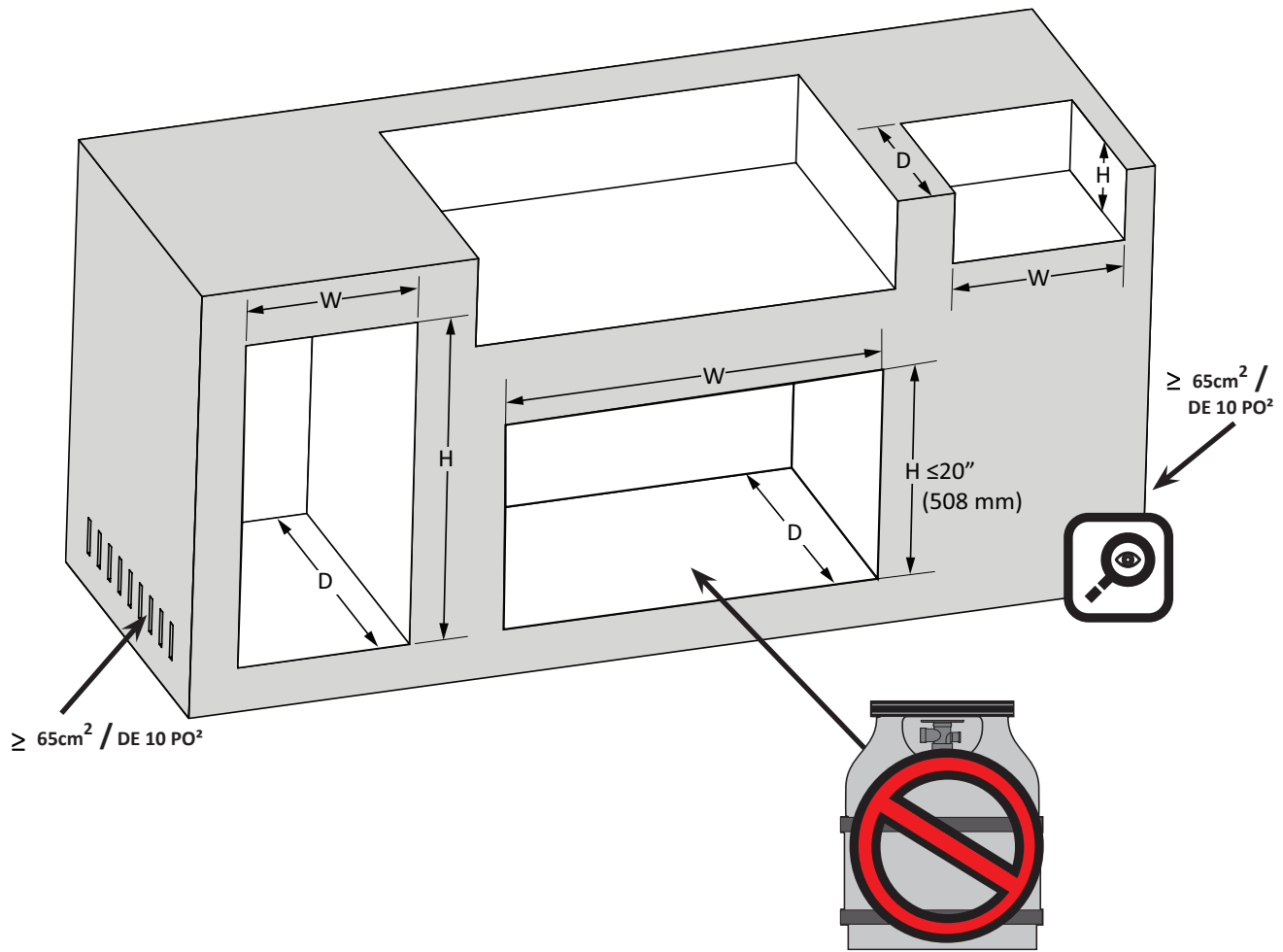
Should deterioration of parts occur to the degree of non-performance (rusted through or burnt through) within the duration of the warranted coverage, a replacement part will be provided. The replacement component is the sole responsibility of NAPOLEON defined by this Limited Warranty; in no event will NAPOLEON be responsible for installation, labor or any other costs or expenses related to the re-installation of a warranted part, for any incidental, consequential, or indirect damages or for any transportation charges, labor costs or export duties.

This Limited Warranty is provided in addition to any rights afforded to you by local laws. Accordingly, this Limited Warranty imposes no obligation upon NAPOLEON to keep parts in stock. Based on the availability of parts, NAPOLEON may at its discretion discharge all obligations by providing a customer a prorated credit towards a new product. After the first year, with respect to this Limited Warranty NAPOLEON may, at its discretion, fully discharge all obligations with respect to this warranty by refunding to the original warranted purchaser the wholesale price of any warranted but defective part(s).

The bill of sale or copy will be required together with a serial number and a model number when making any warranty claims from NAPOLEON. NAPOLEON reserves the right to have its representative inspect any product or part prior to honoring any warranty claim. You must contact NAPOLEON Customer Service or an authorized NAPOLEON dealer to obtain the benefit of the warranty coverage.



www.napoleon.com



TOOLS REQUIRED FOR ASSEMBLY (tools not included)
OUTILS REQUIS POUR L'ASSEMBLAGE (outils non inclus)





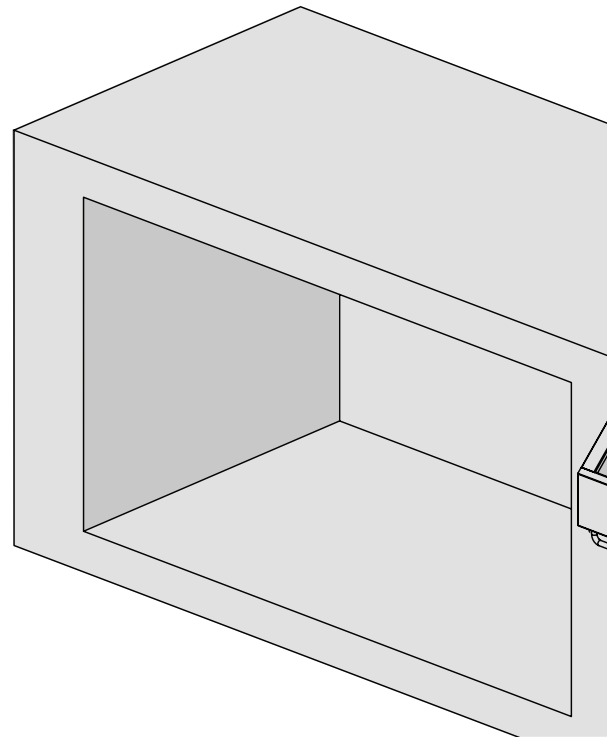
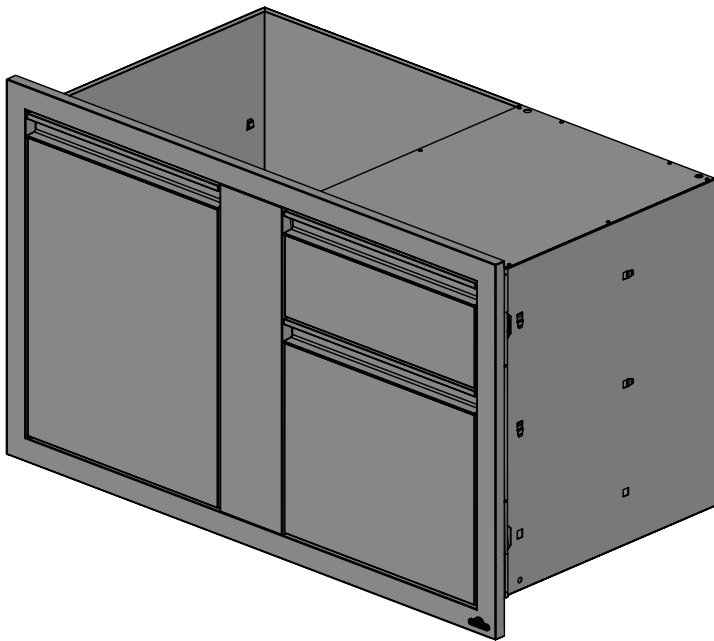
BI-3624-1D1W
BI-4224-1D1W

BI-3624-1D2DR
BI-4224-1D2DR

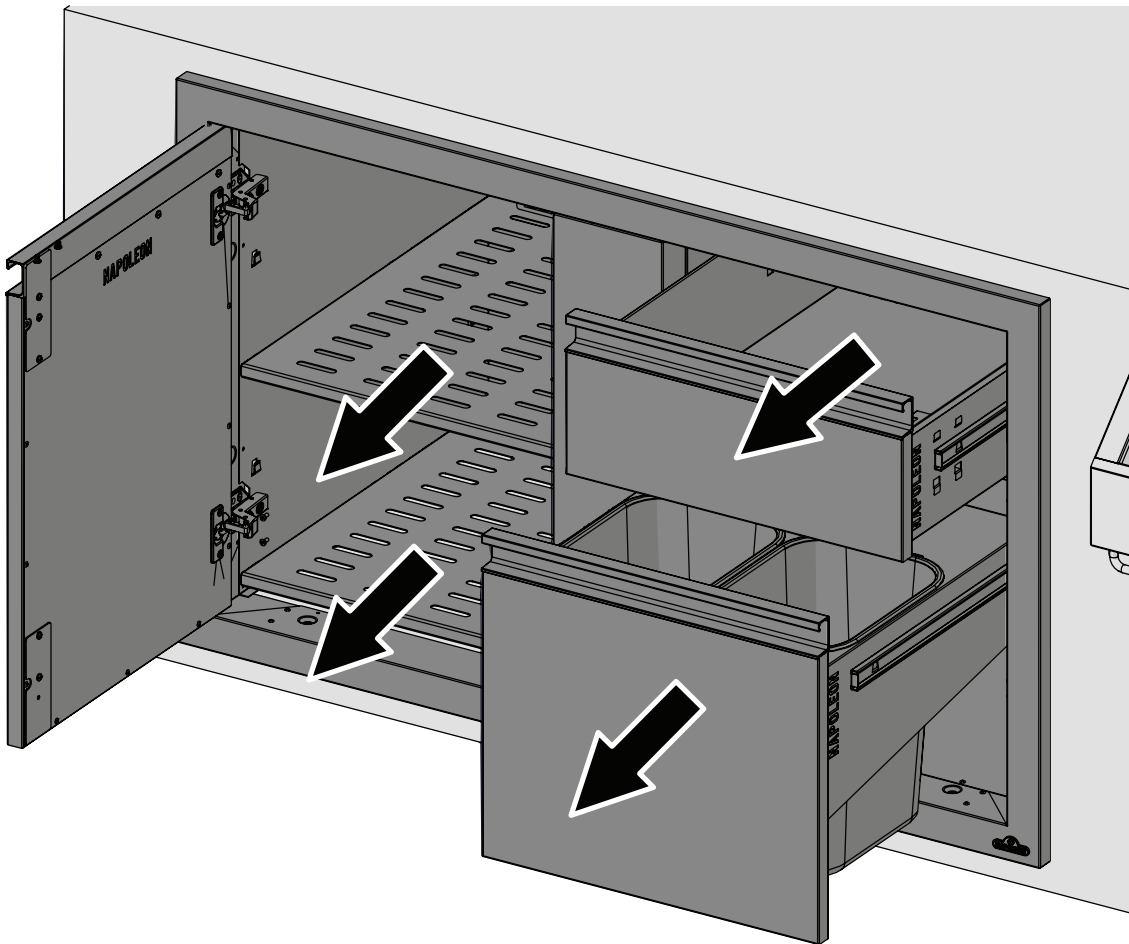
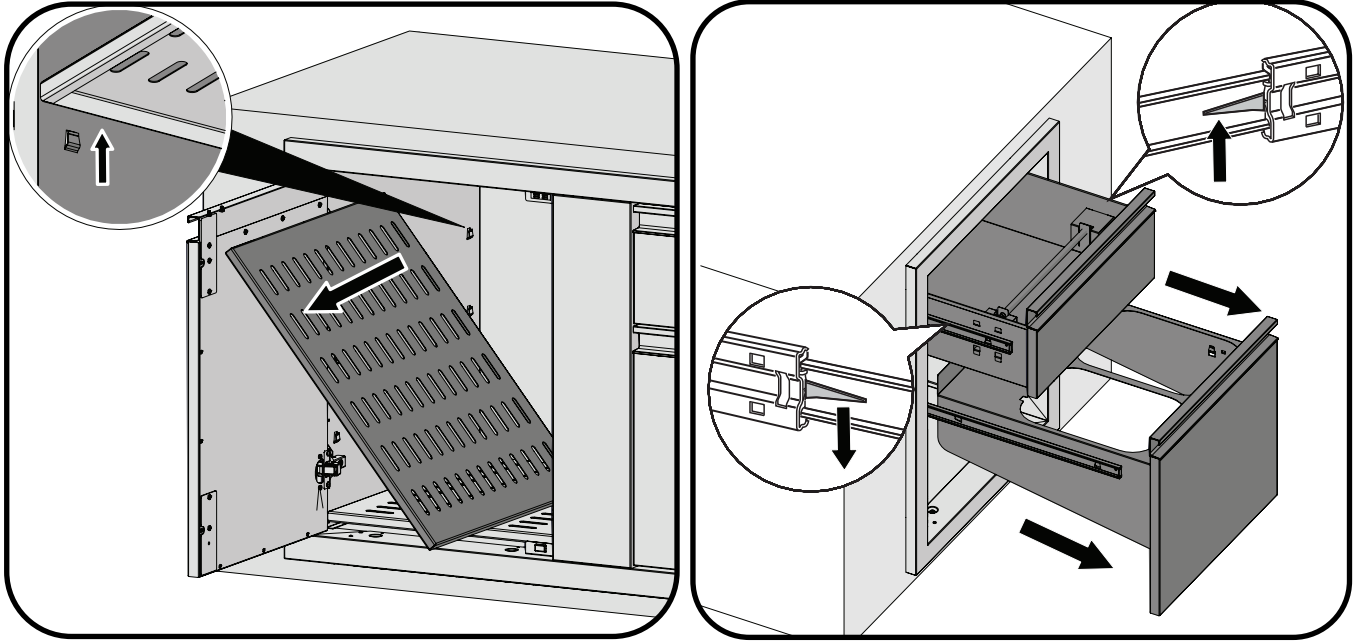
BI-3624-1D3DR
BI-4224-1D3DR

BI-3616-1D2DR
BI-4216-1D2DR

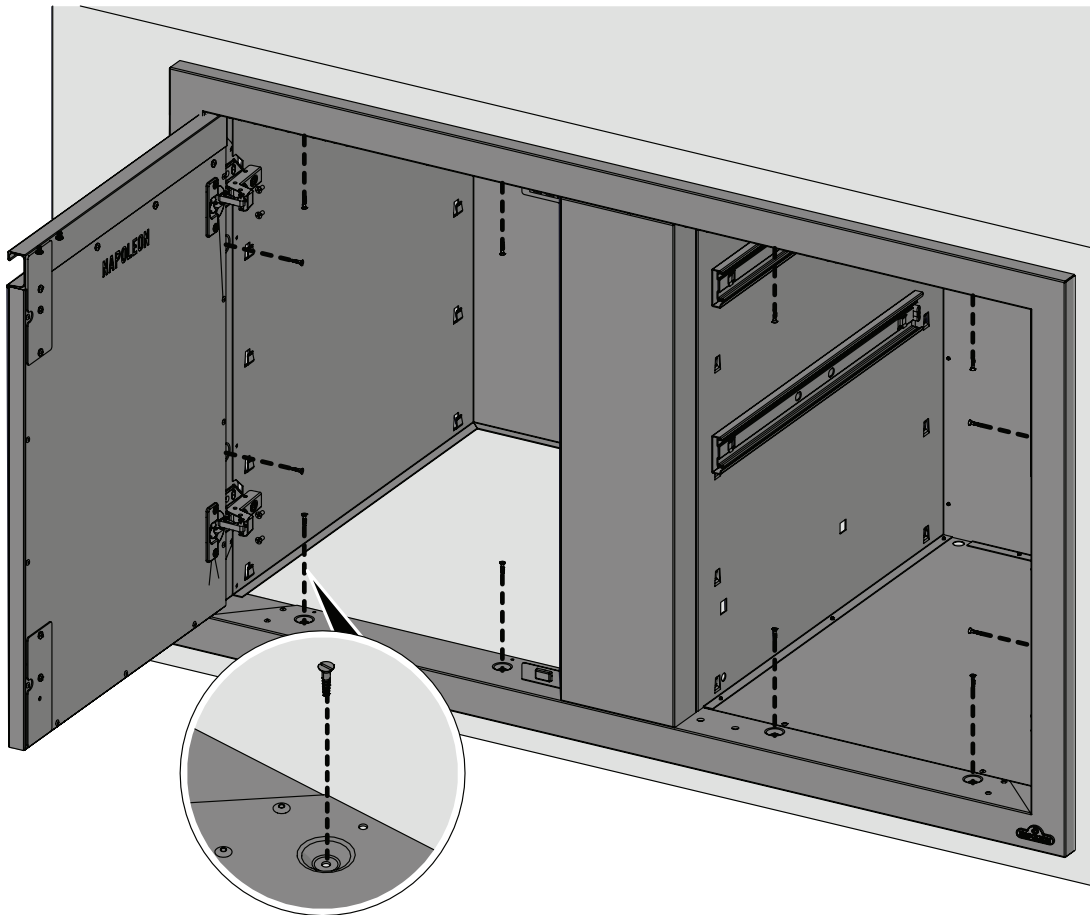
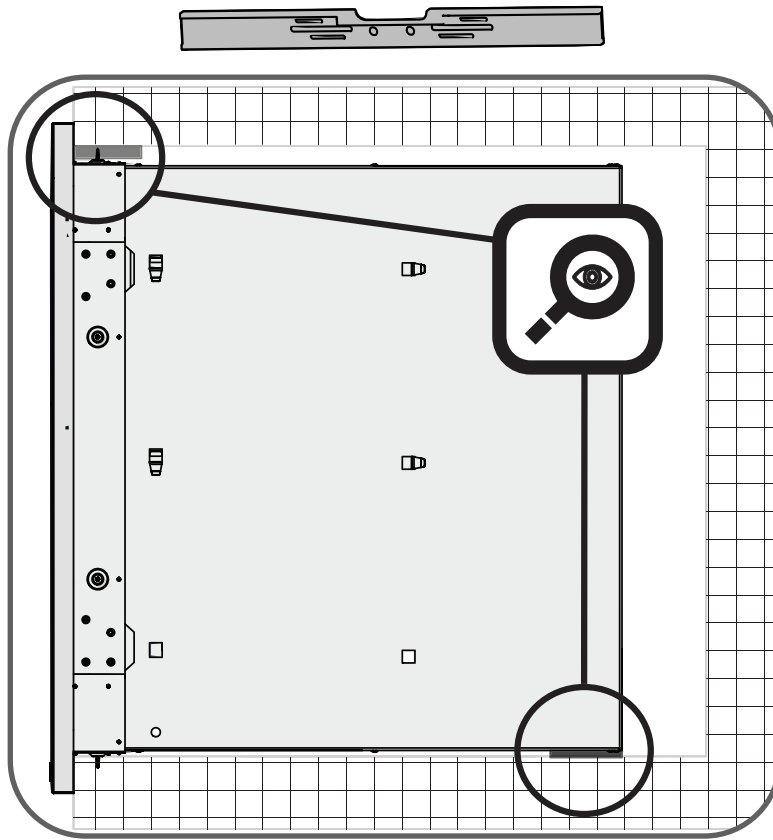
1



2

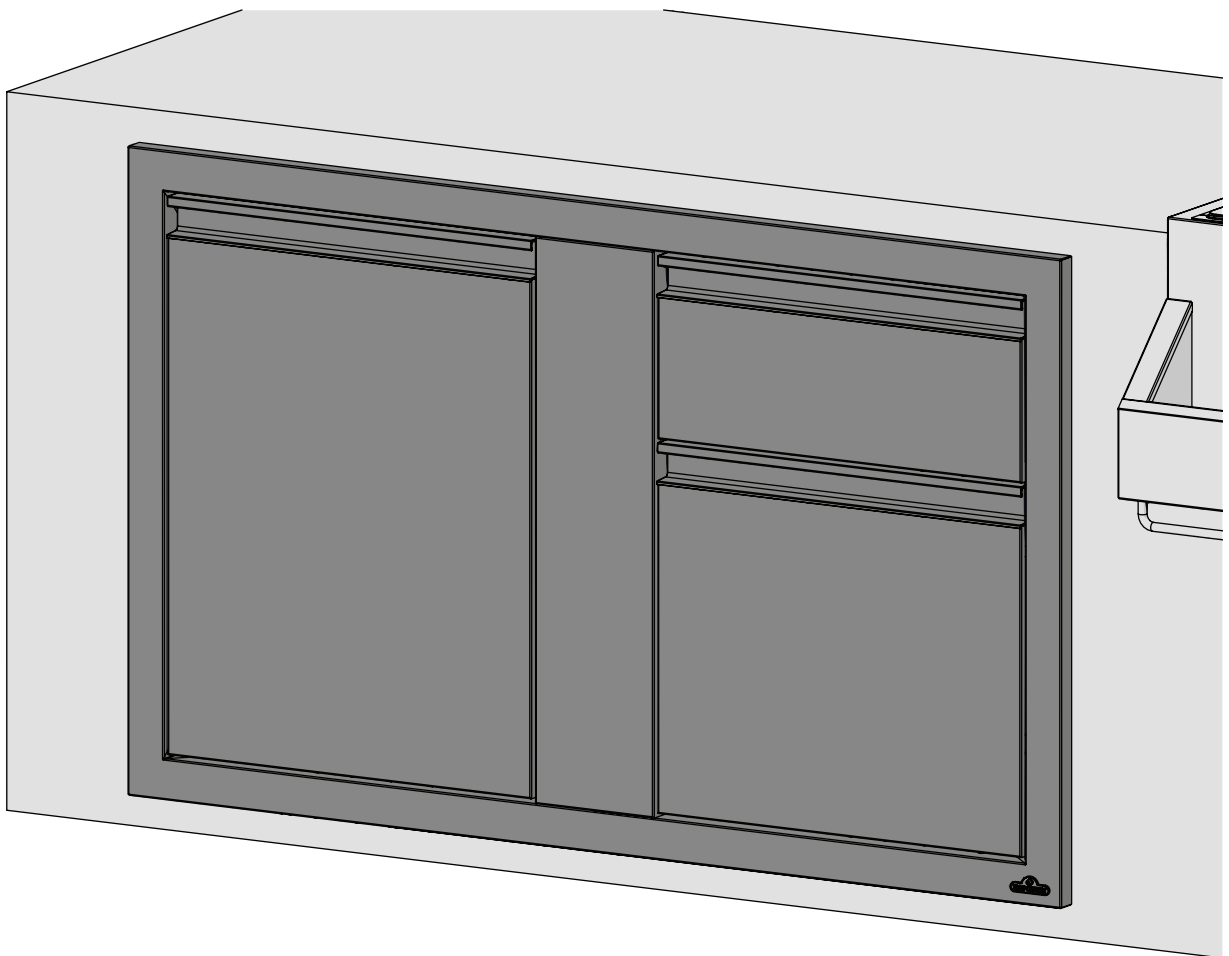
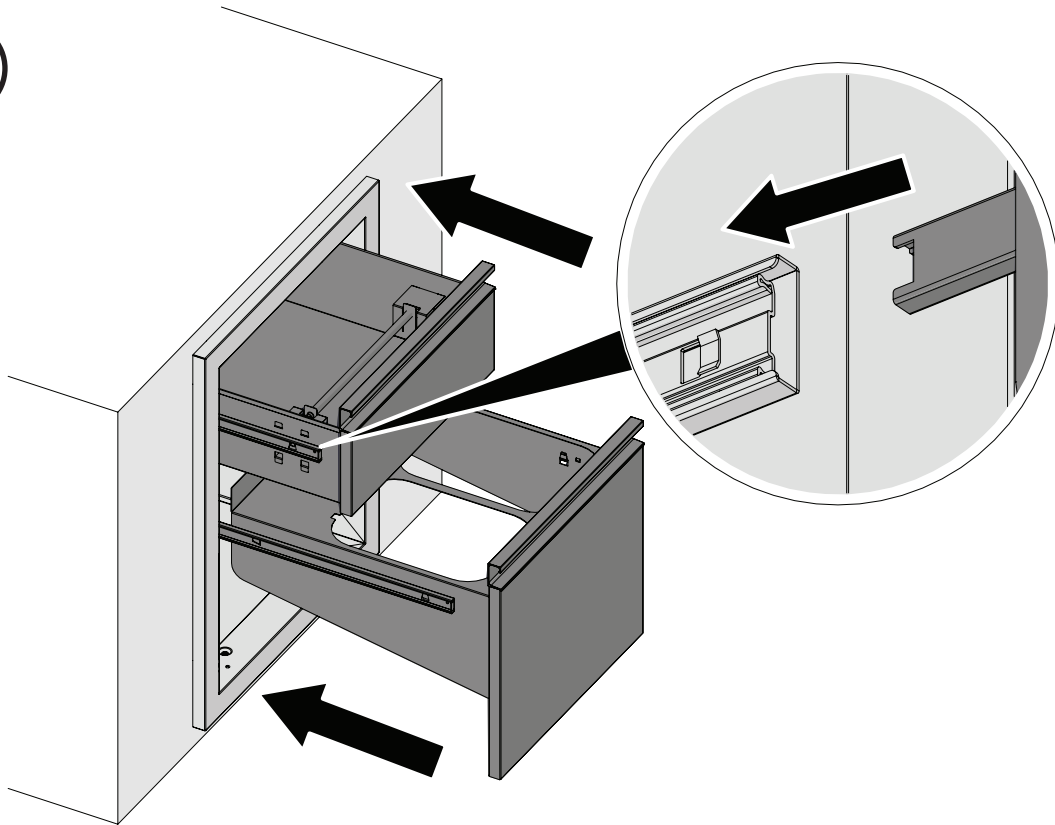


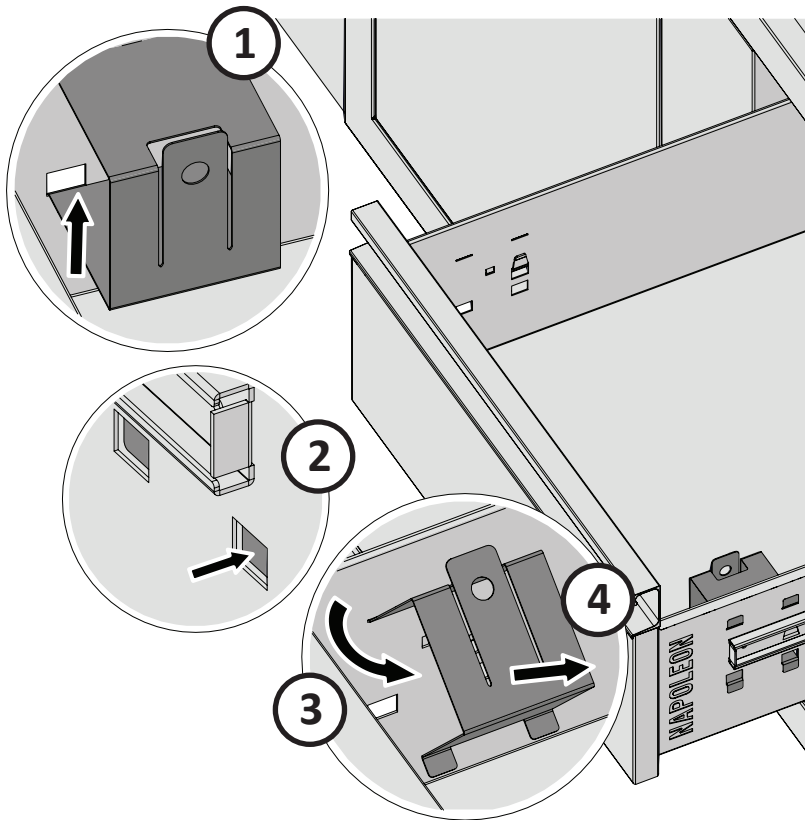
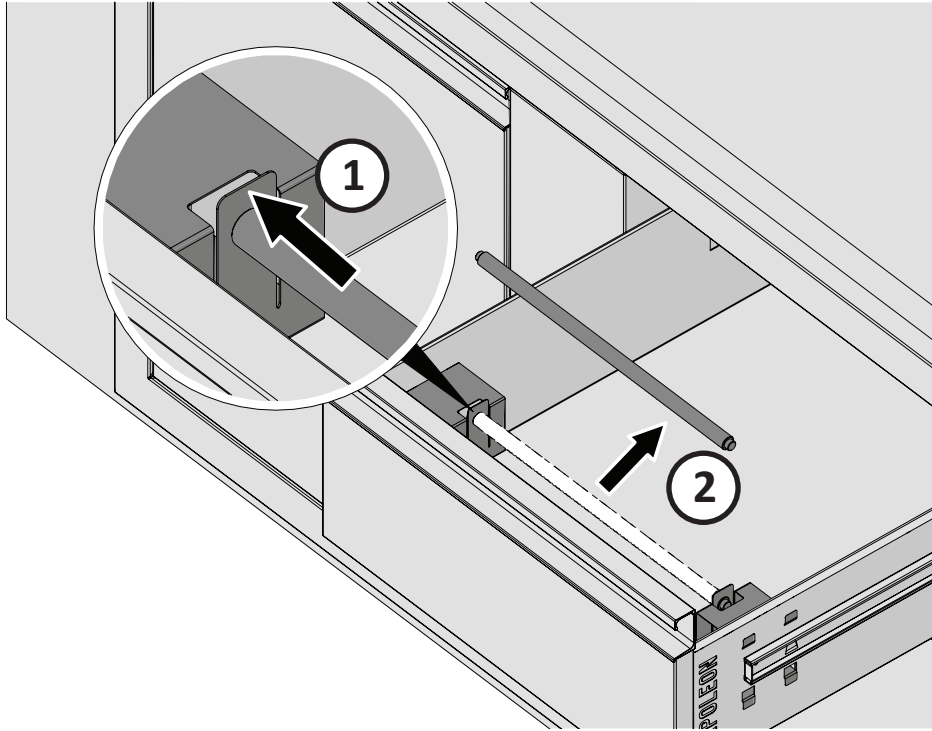
3





4

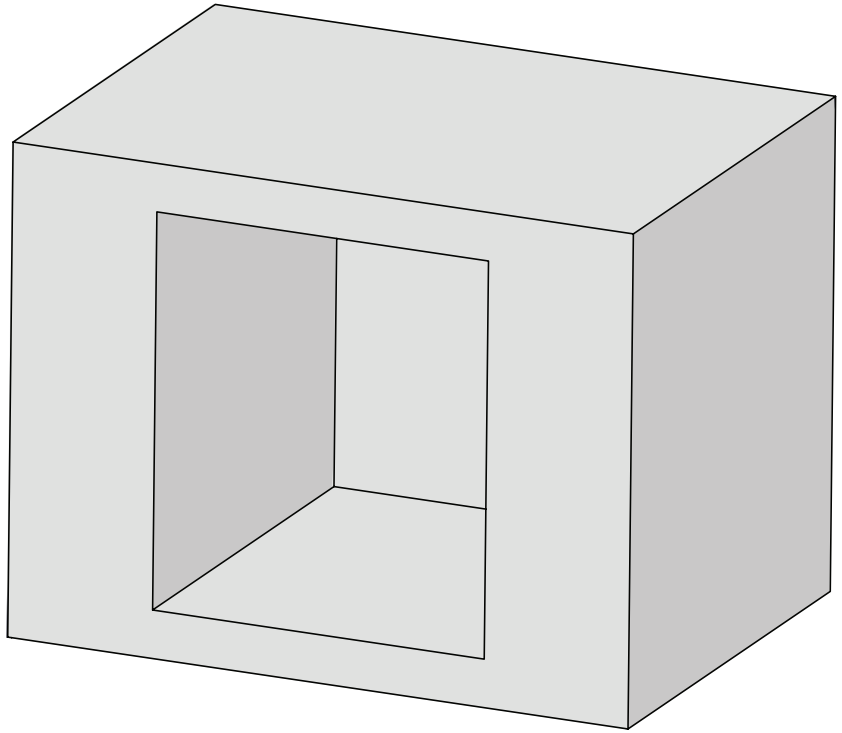
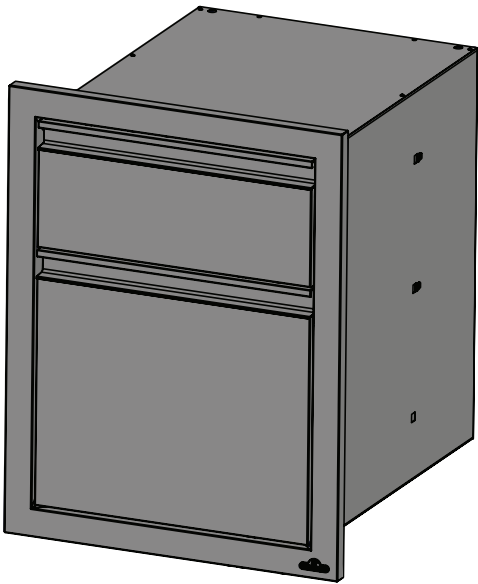
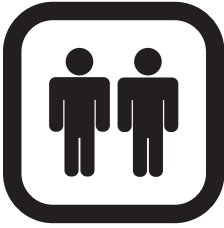




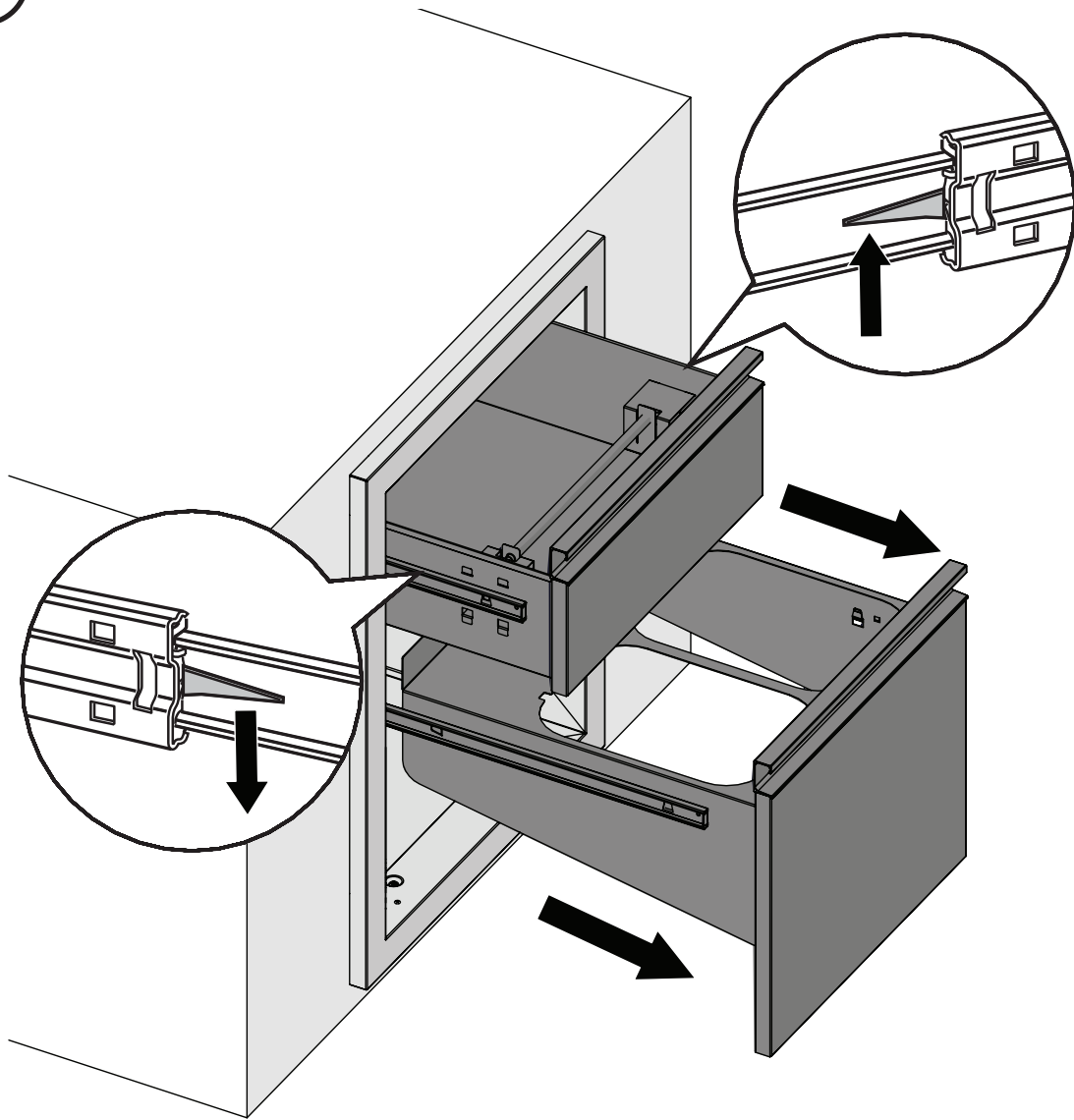


BI-1808-1DR BI-1816-1DR BI-1816-2DR
BI-1824-1W BI-1824-2DR BI-1824-3DR BI-4208-1DR

1

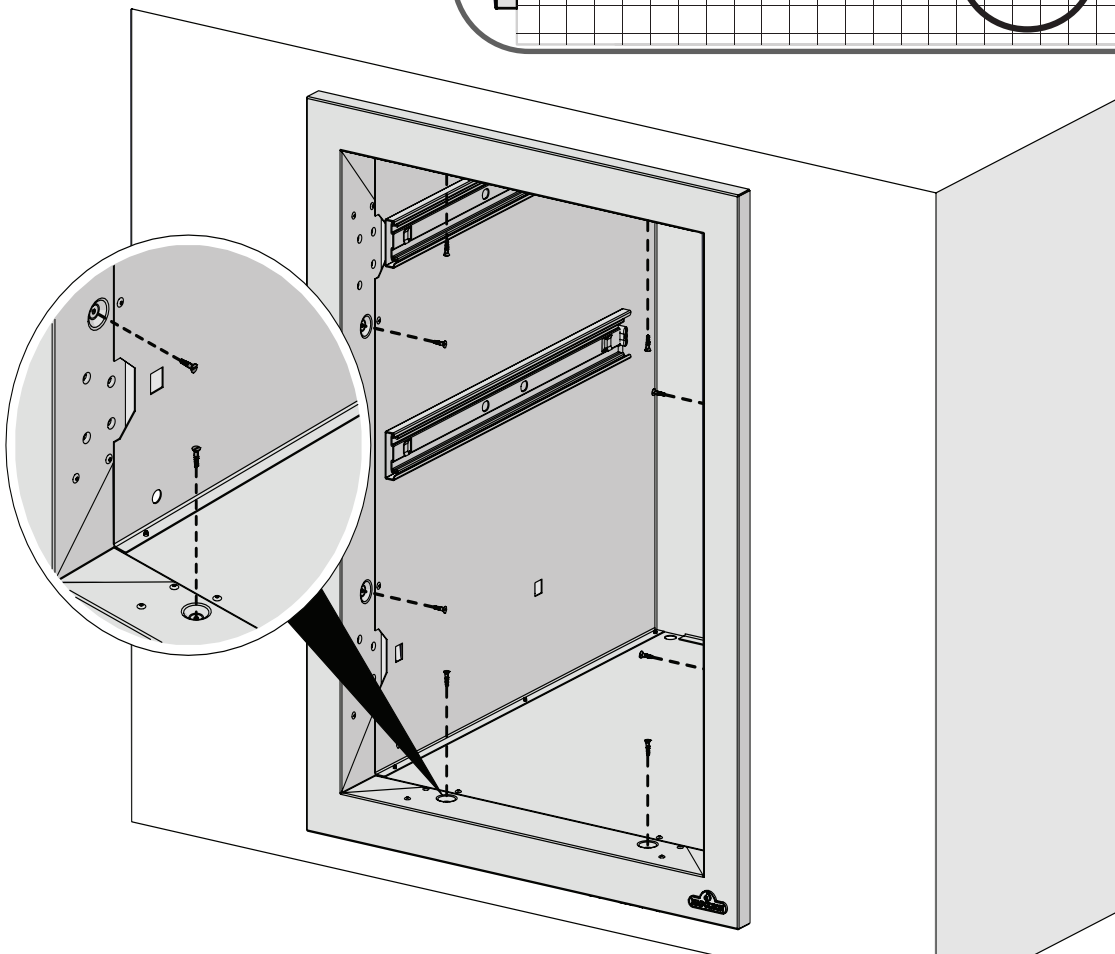
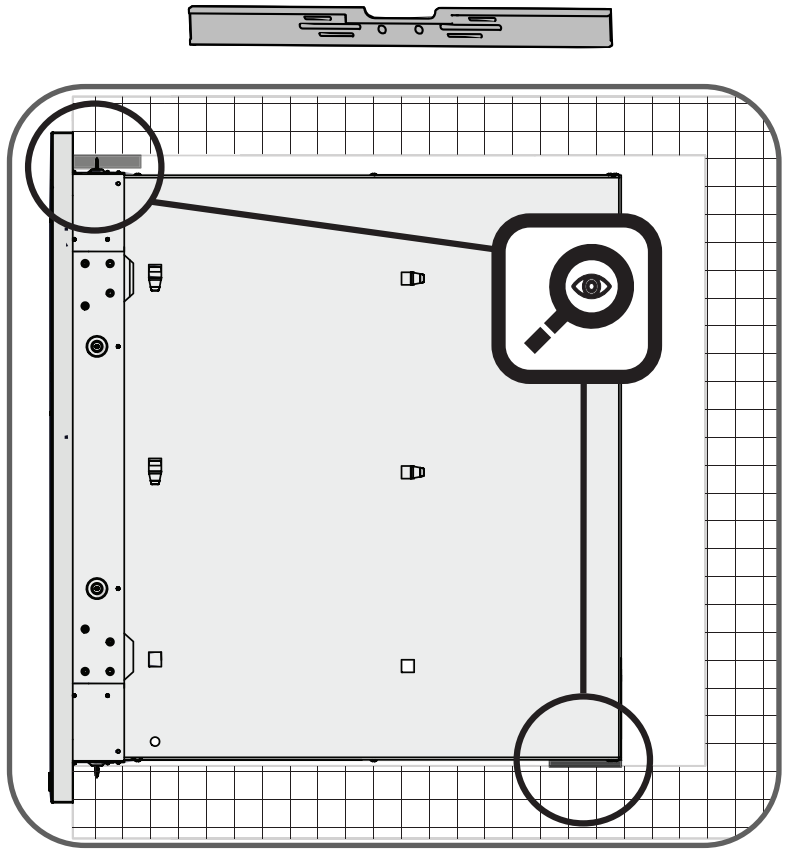


2

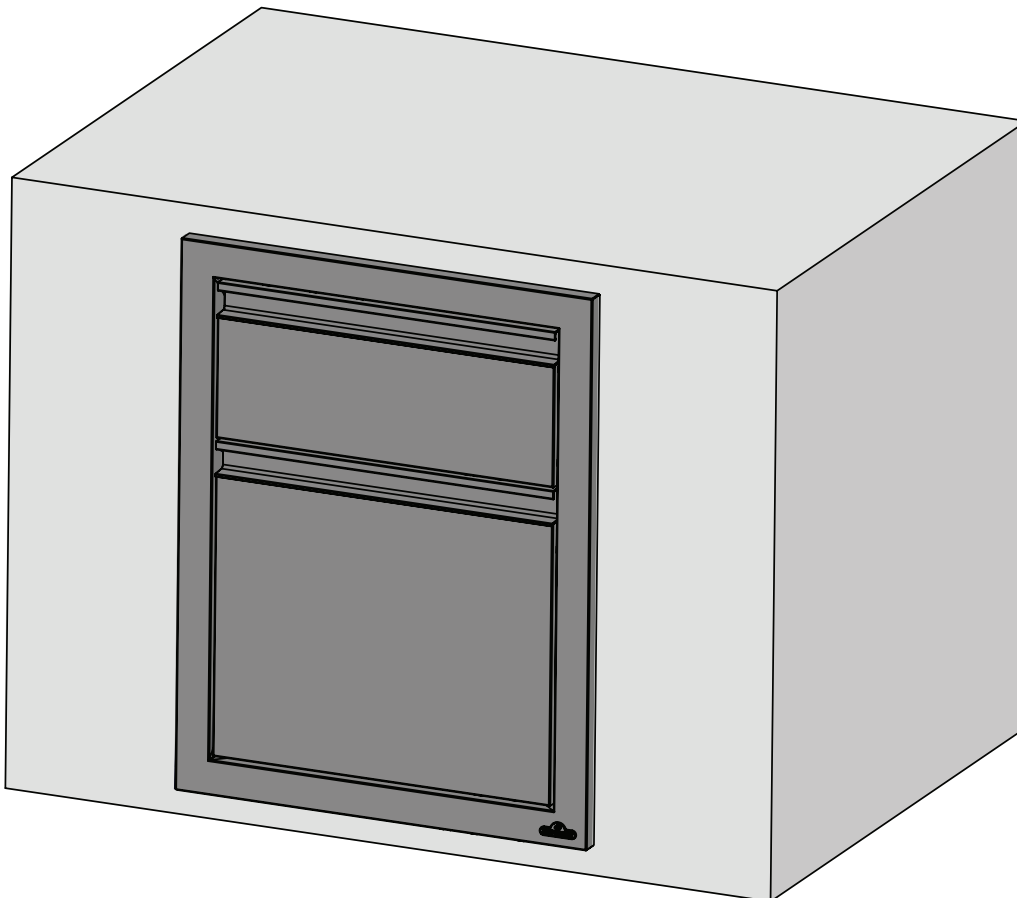
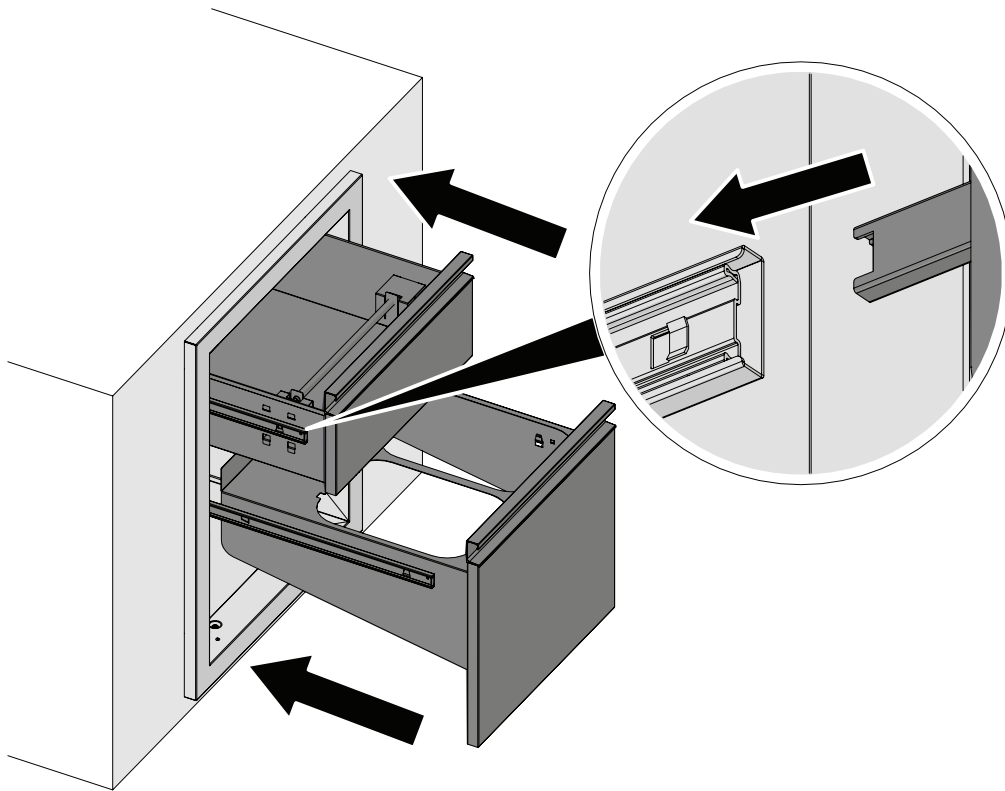




3



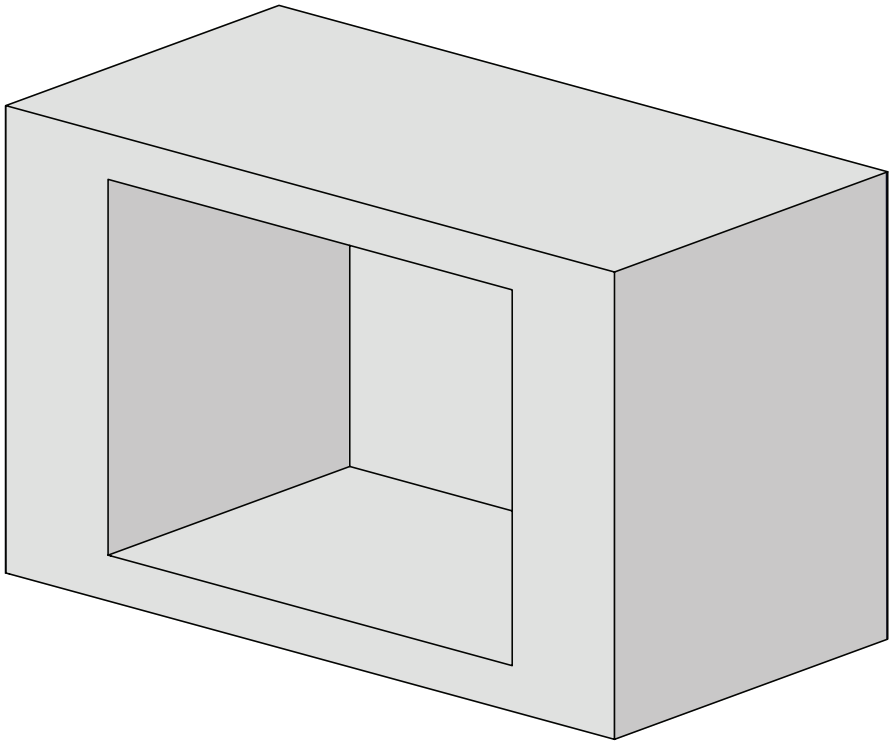
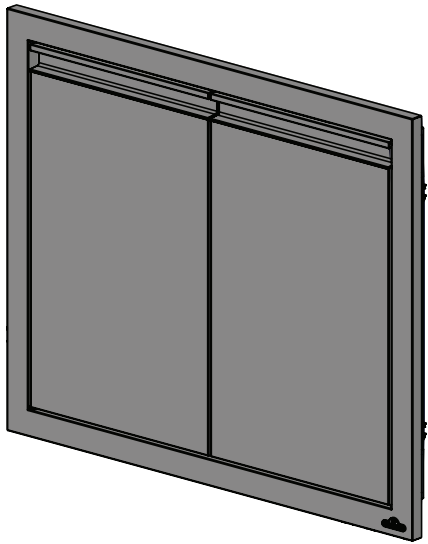
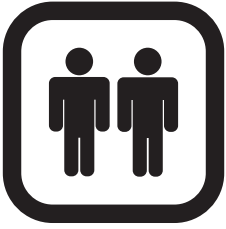
4



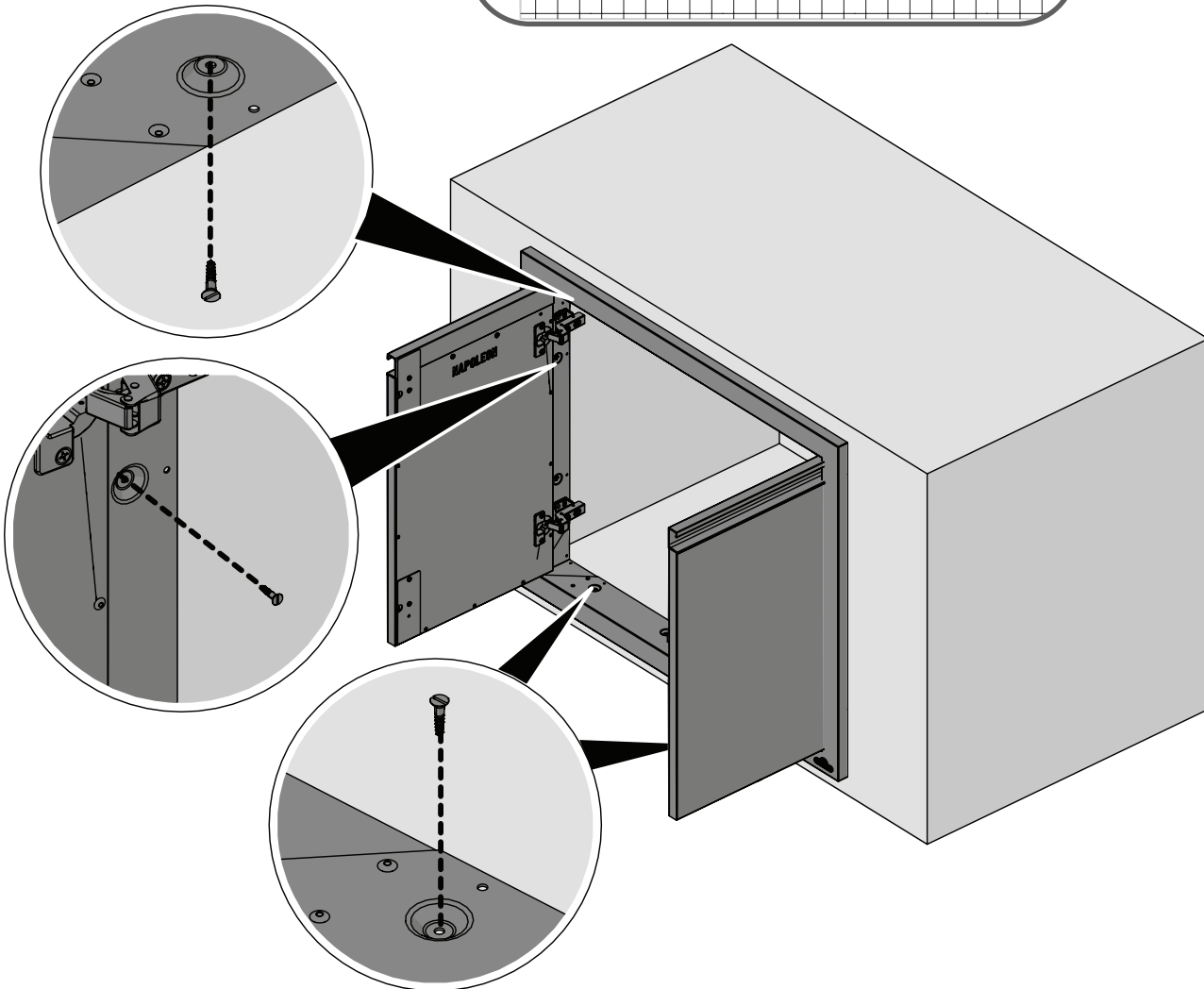
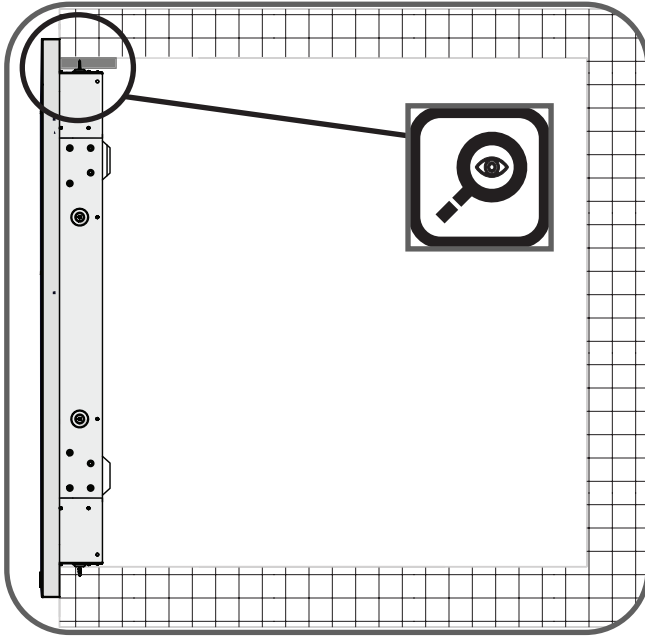
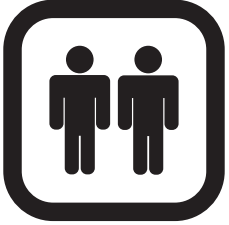


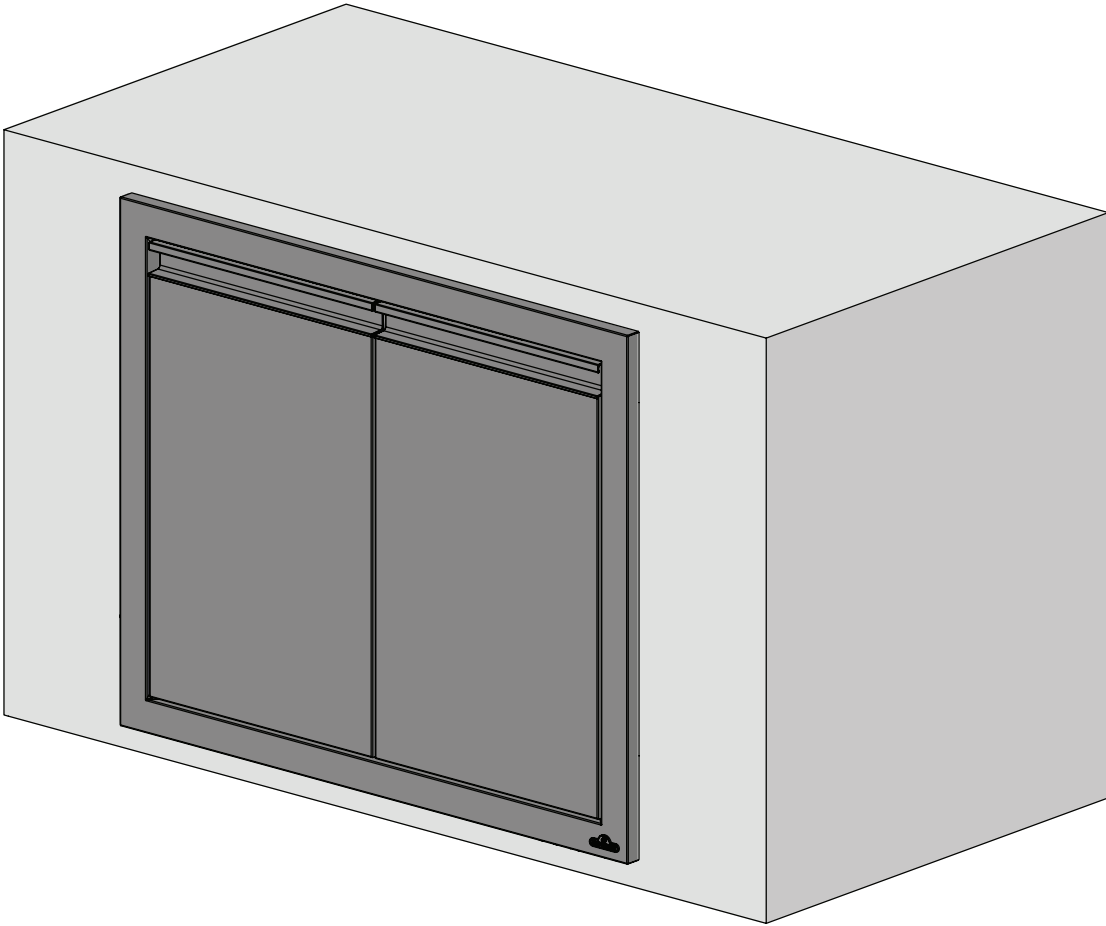
BI-1816-1D BI-1824-1D BI-3024-2D BI-3616-2D
BI-3624-2D BI-3016-2D BI-4216-2D

1



2

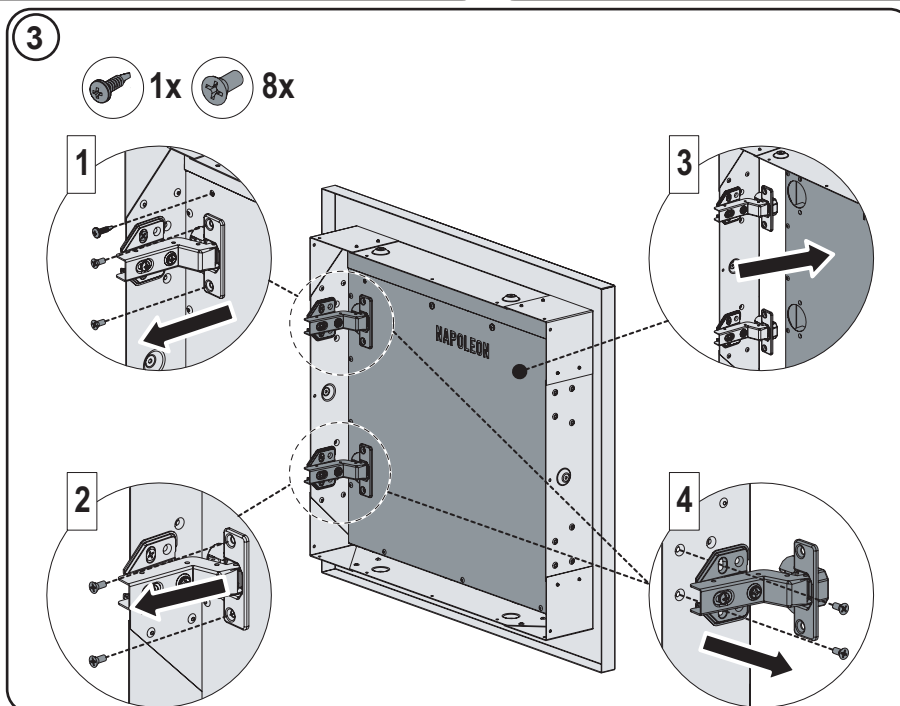
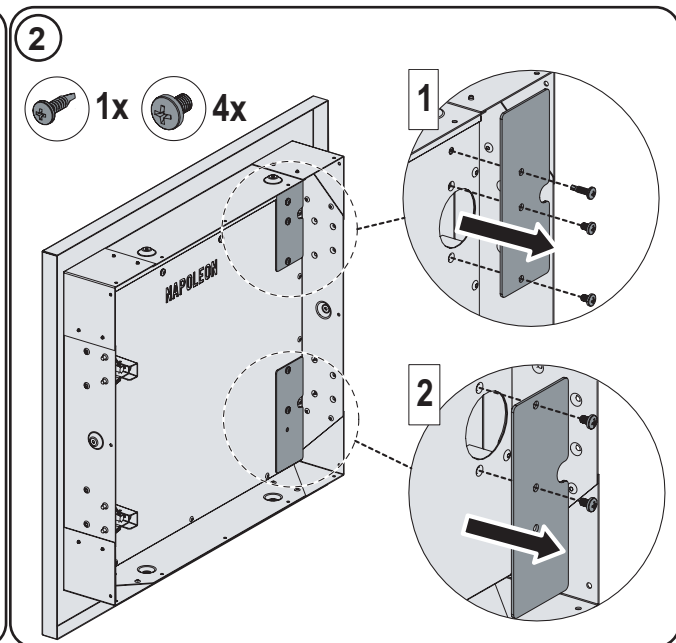
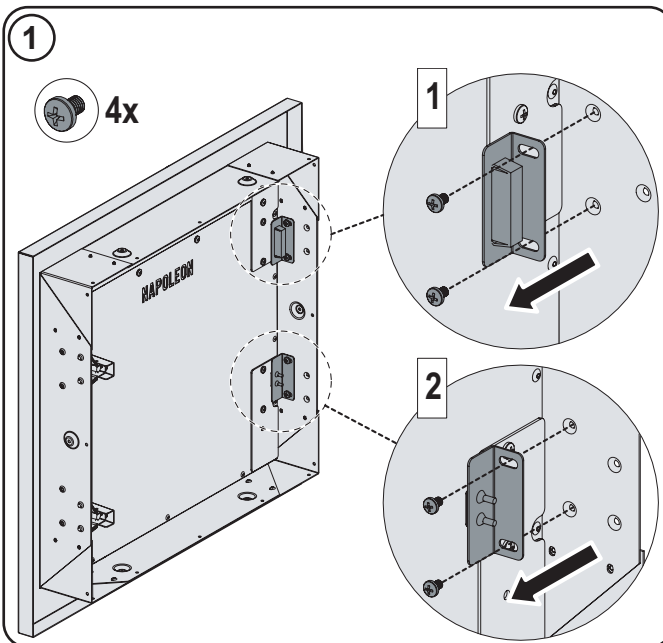
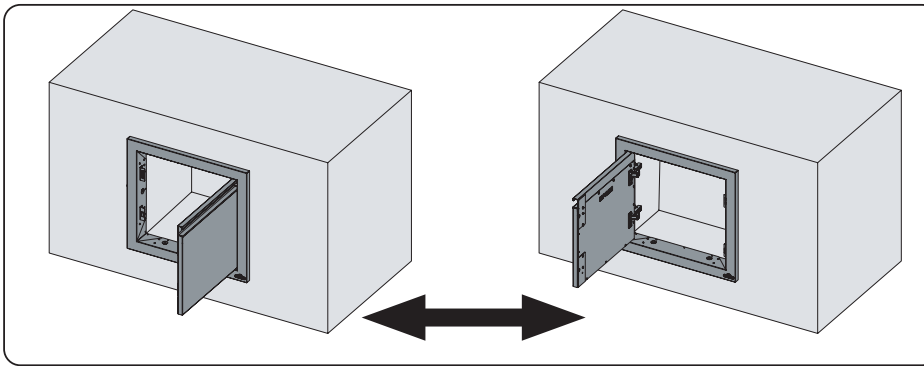




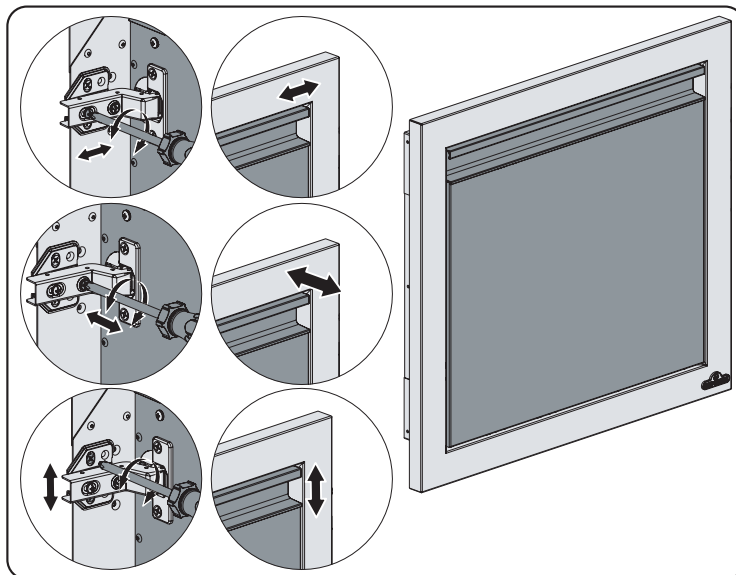
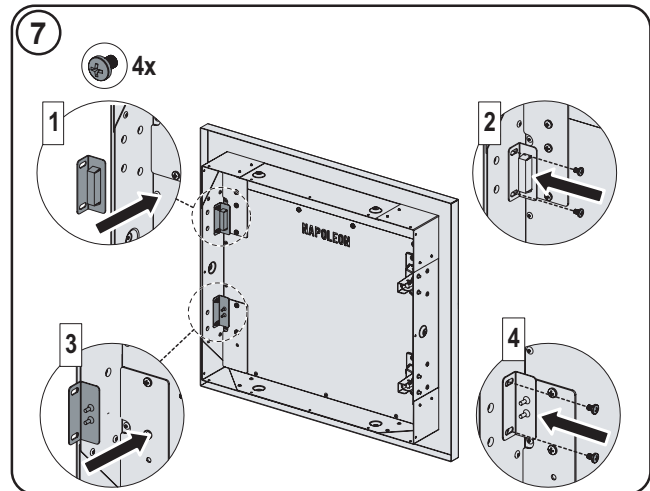
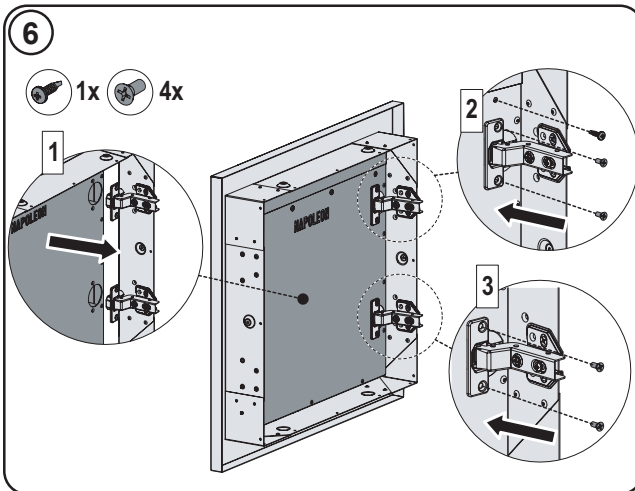
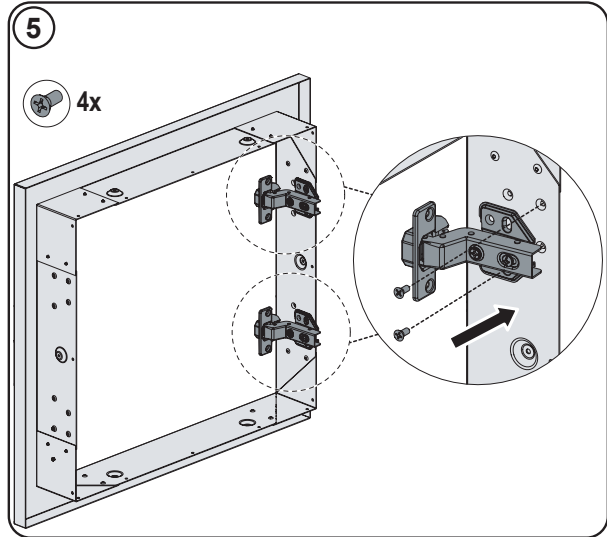
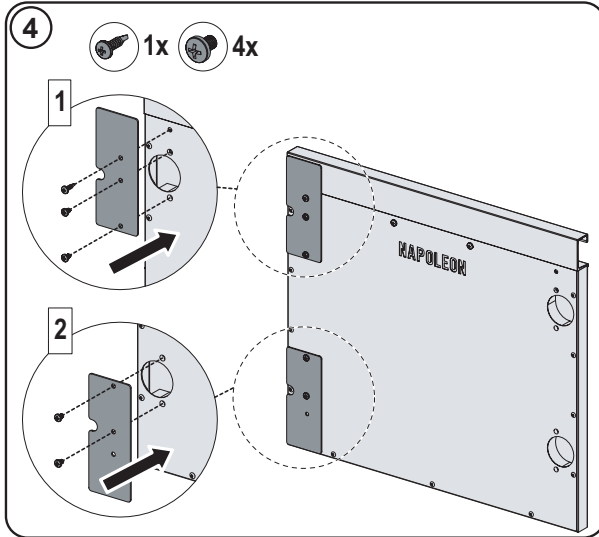
BI-1816-1D

BI-1824-1D

1

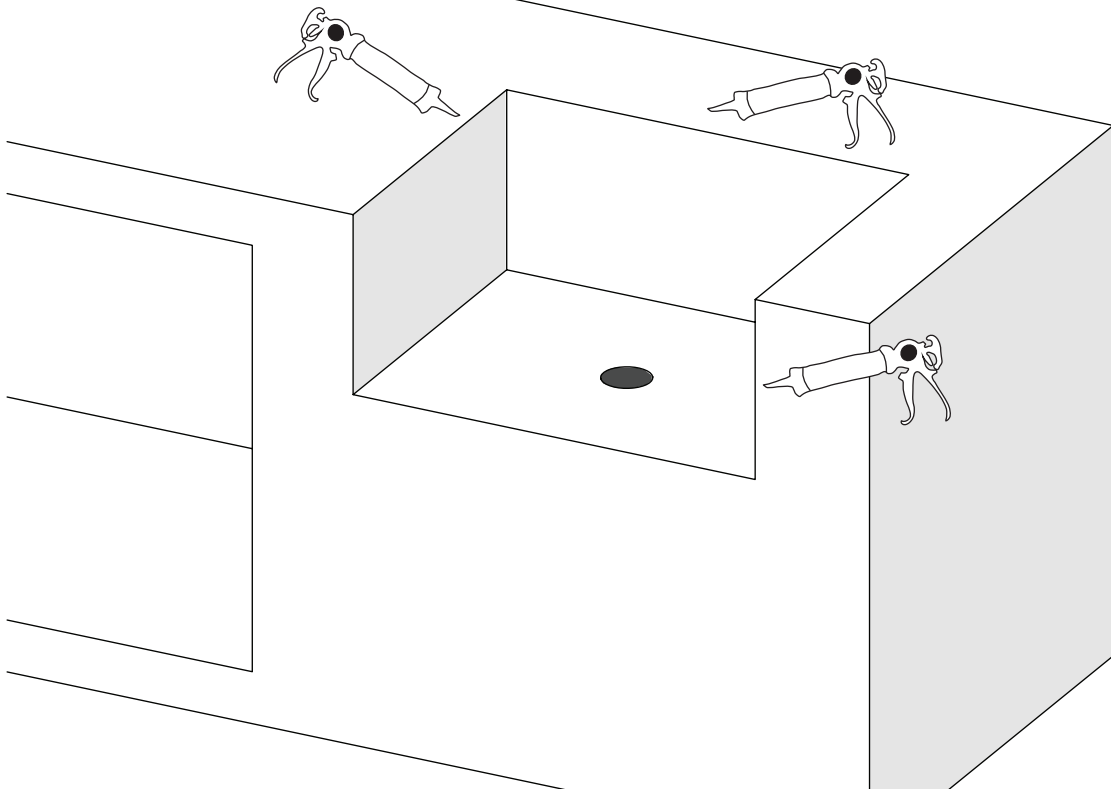
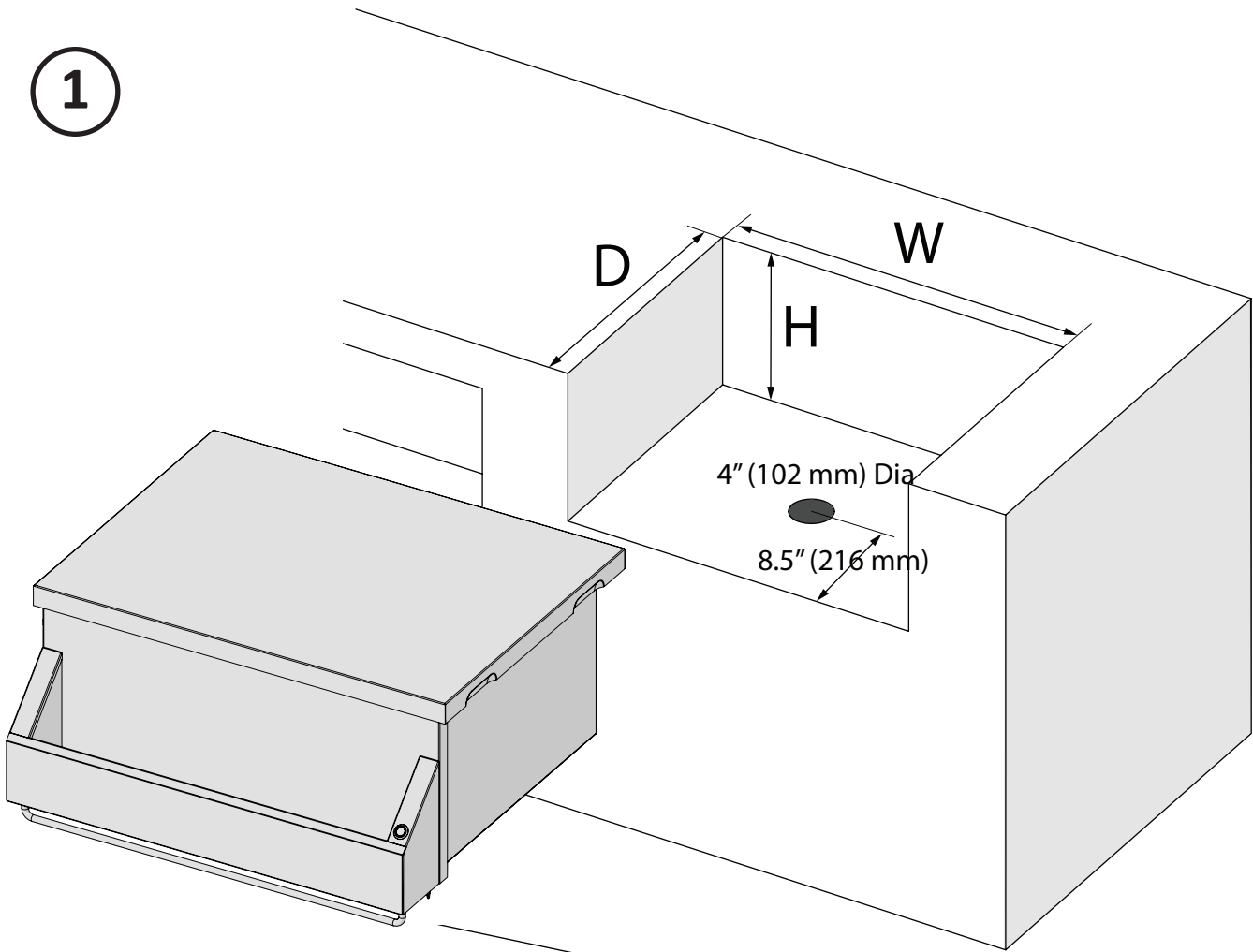


2



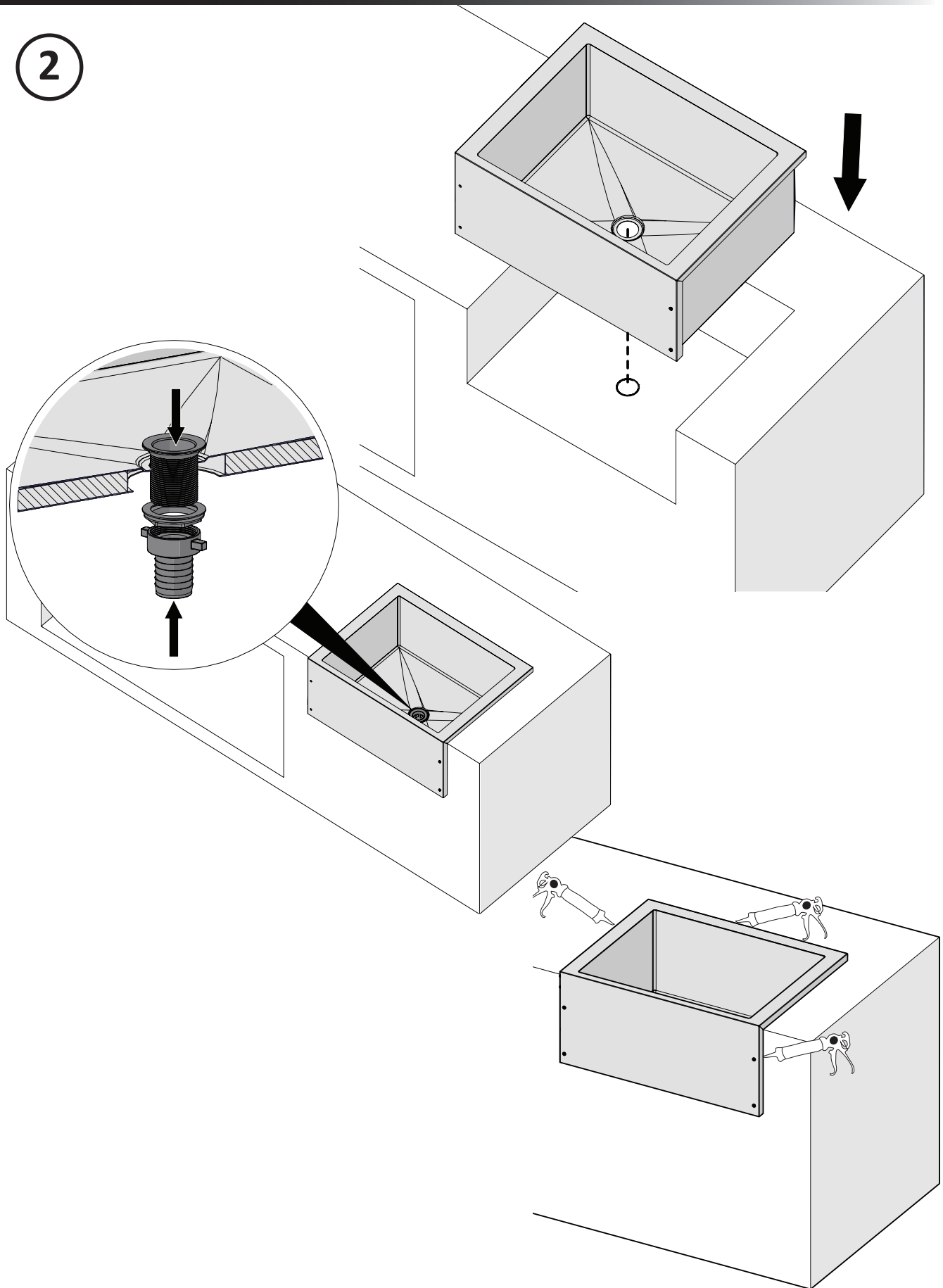
BI-2418-BEV

1



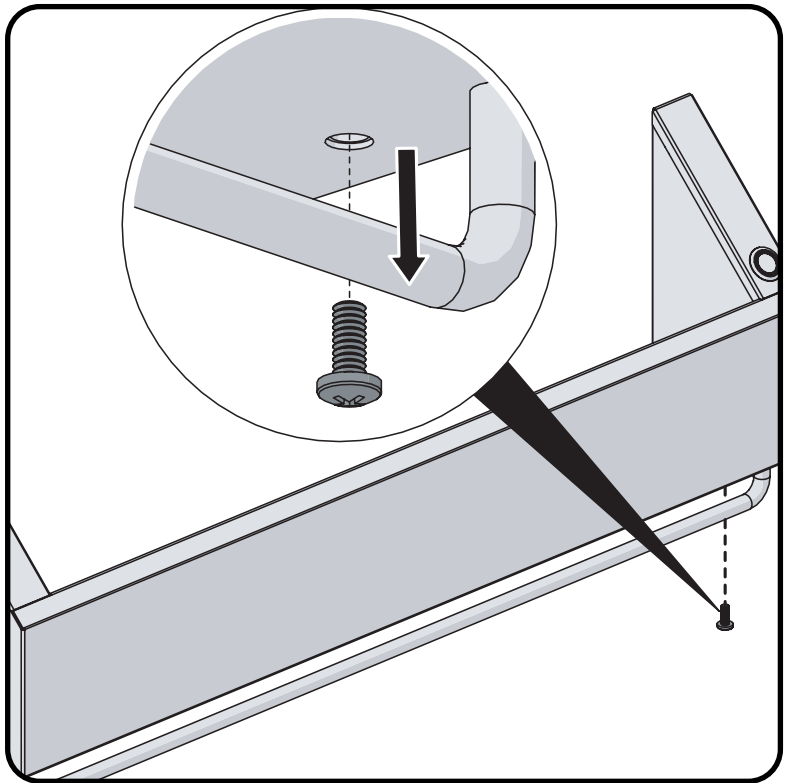
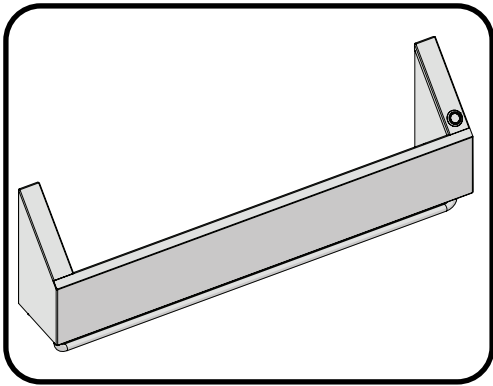


2

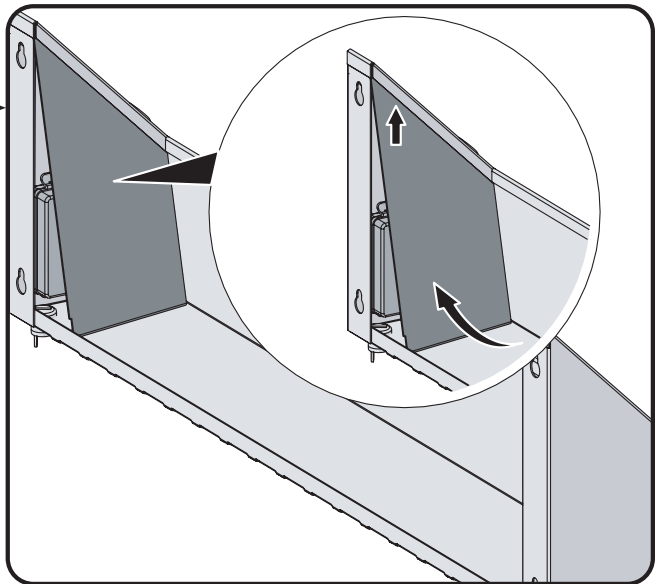
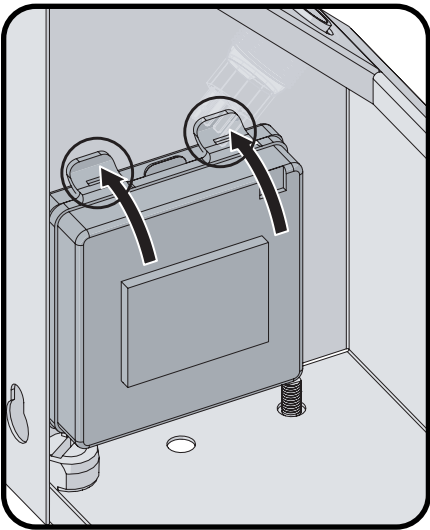
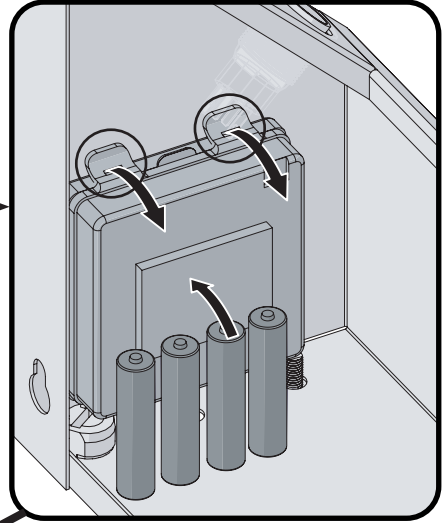
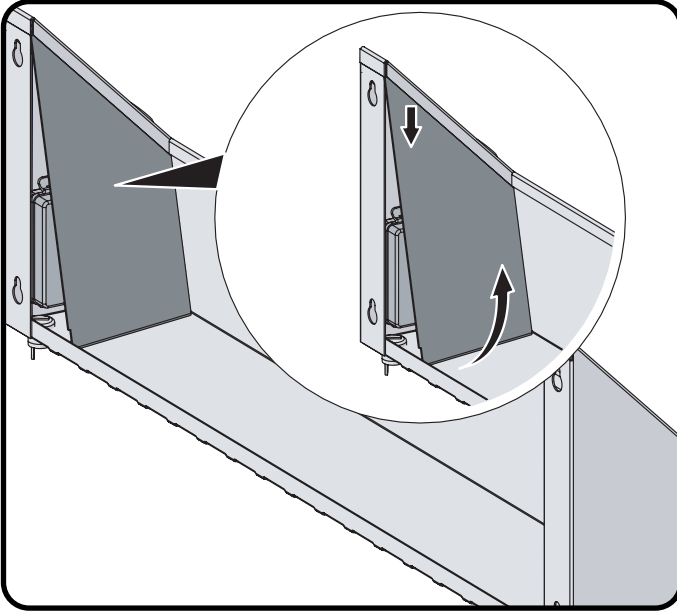




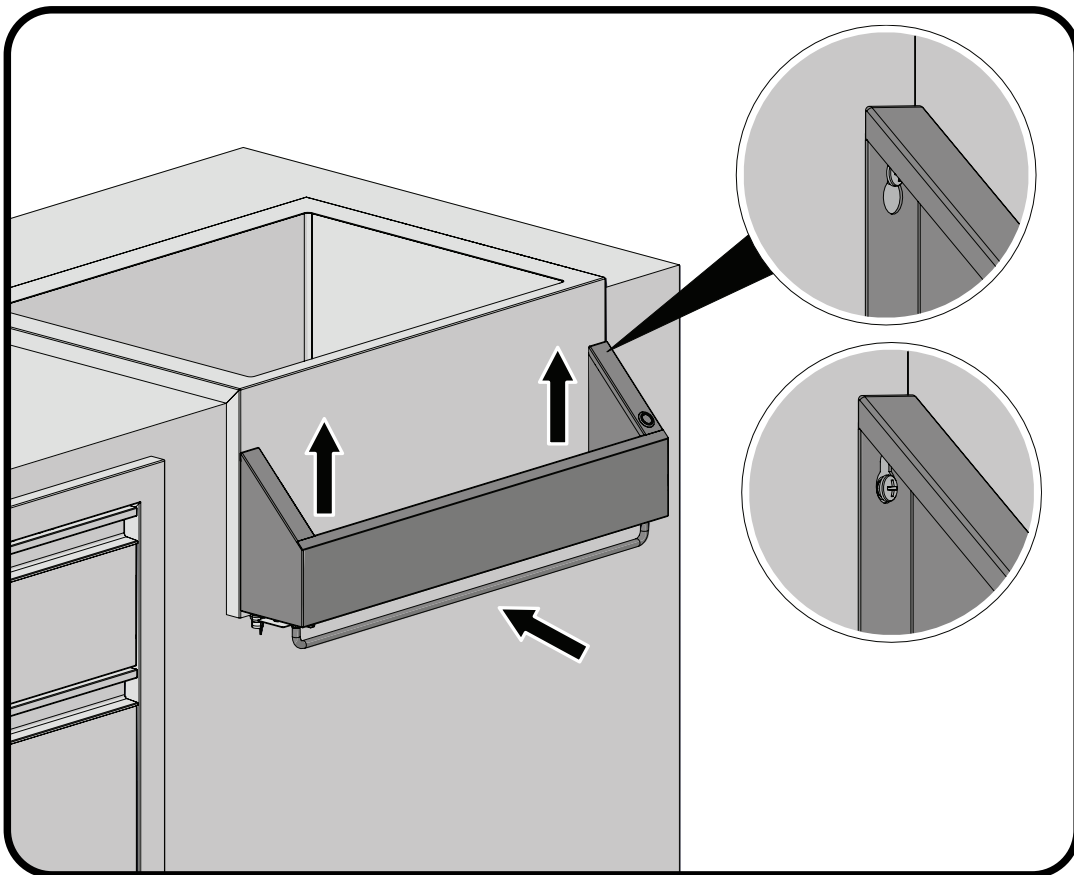
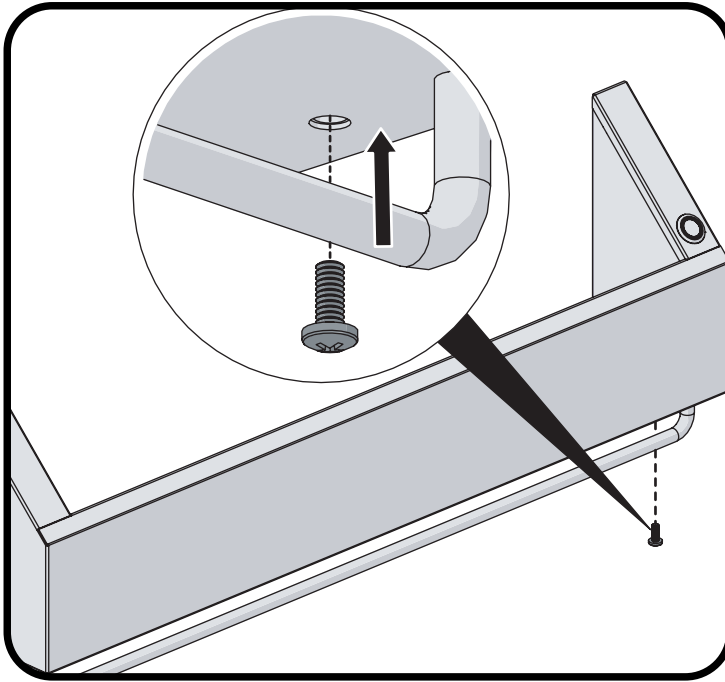
3



4

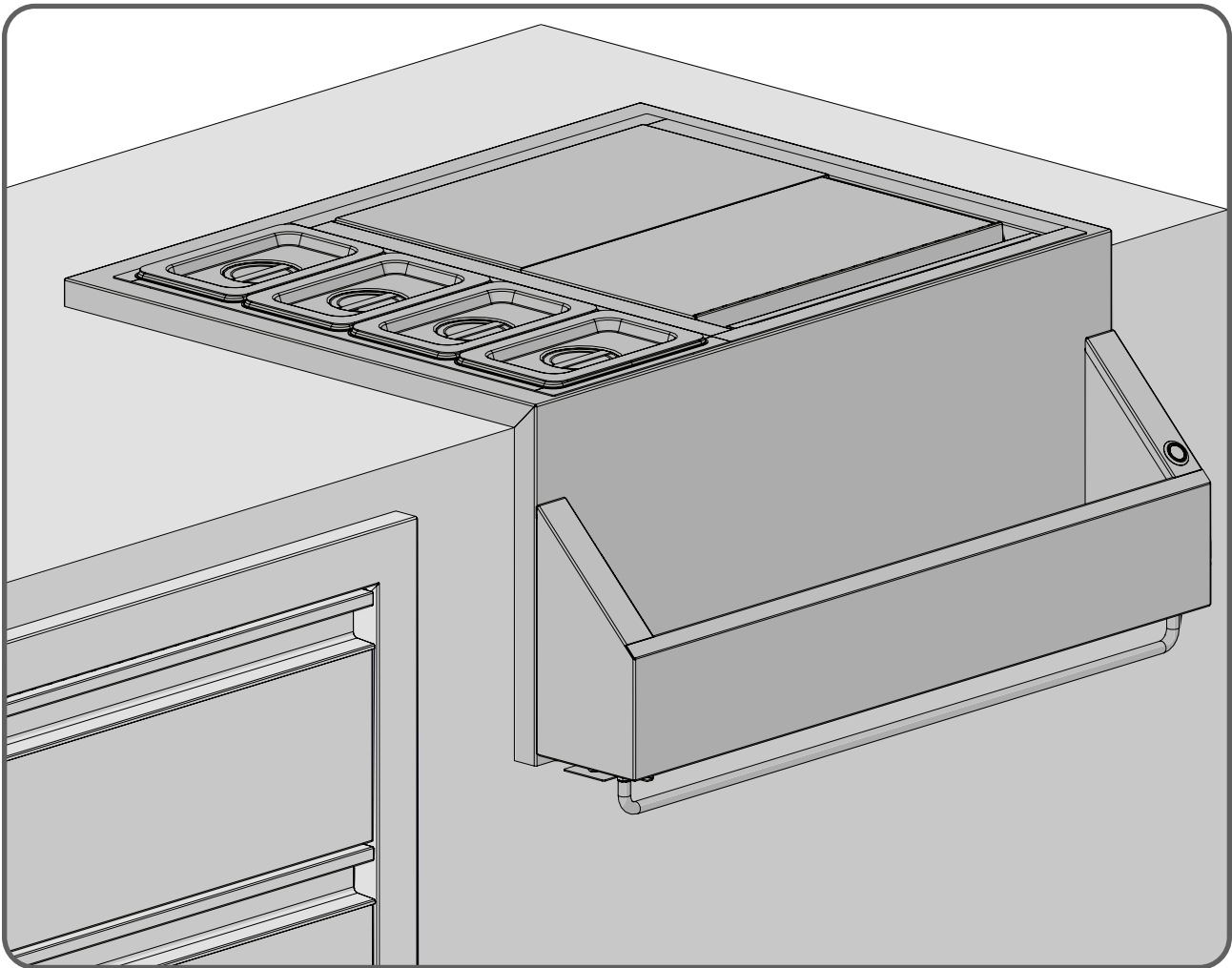


5



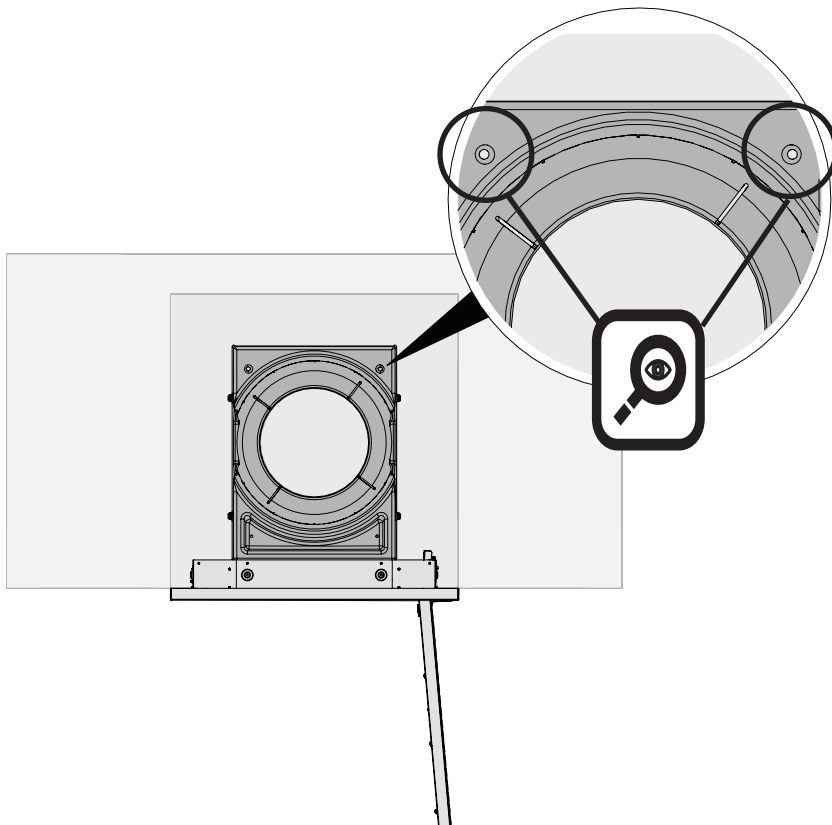
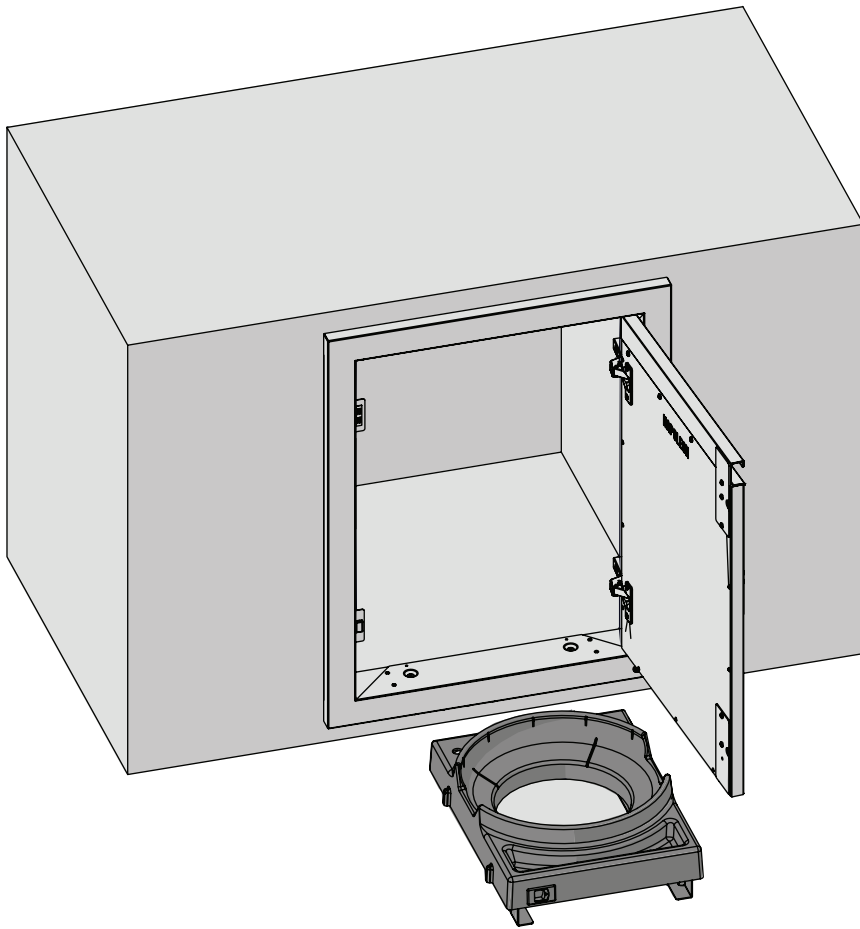


6



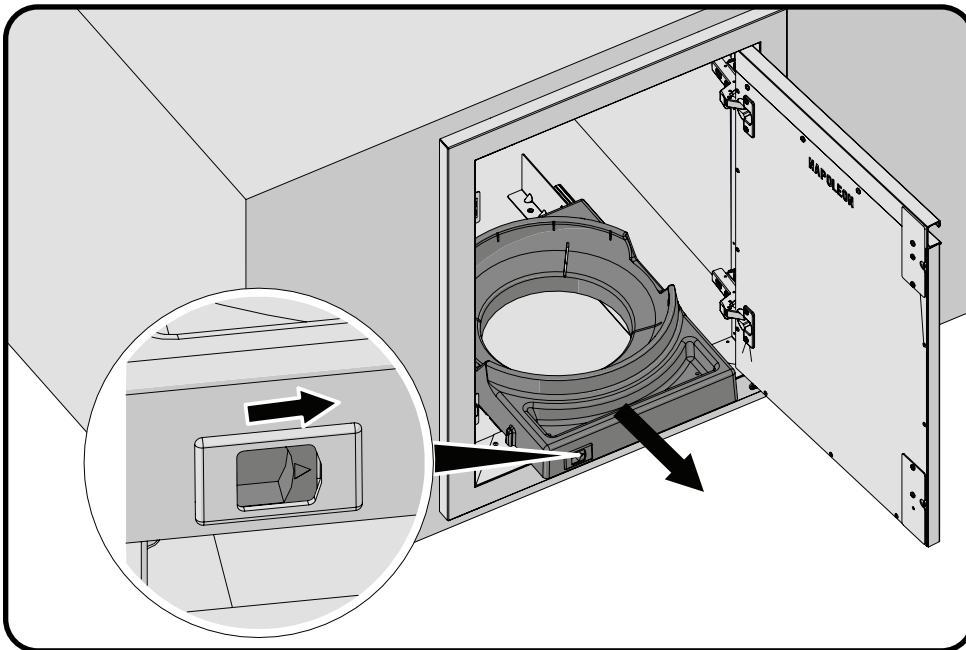
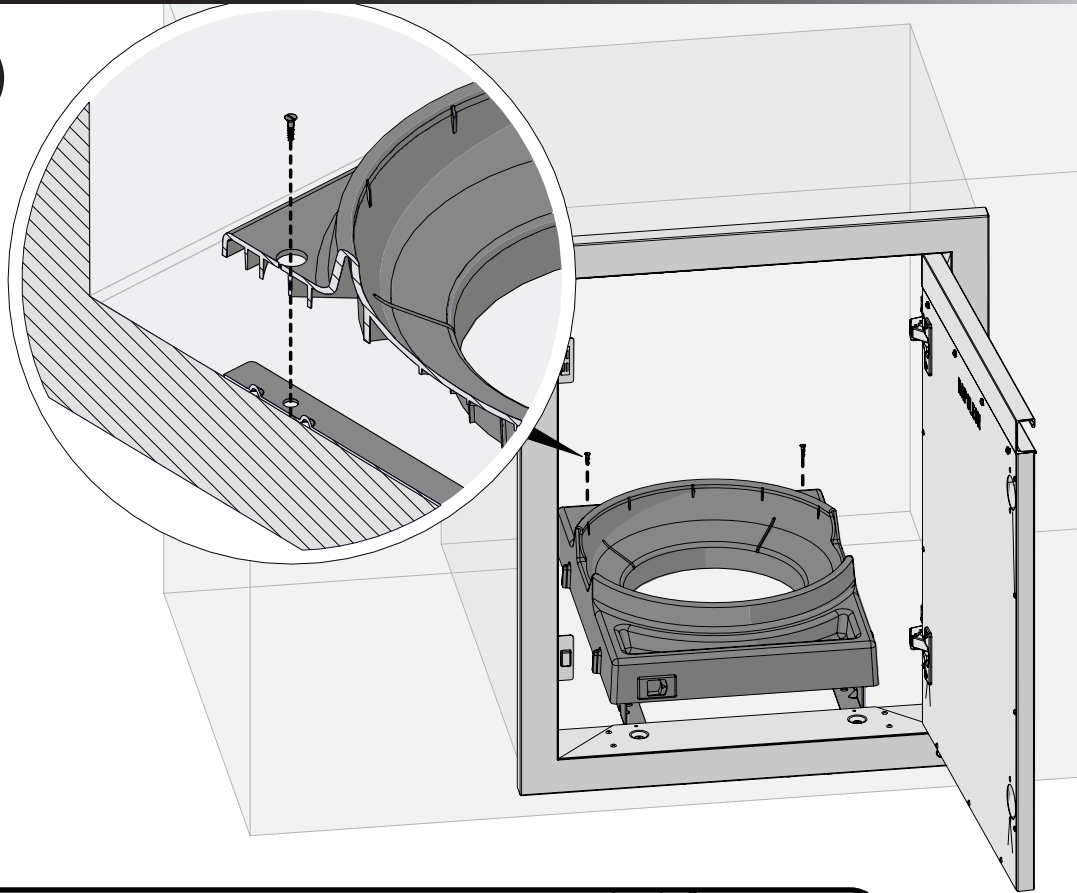
BI-TSK

1

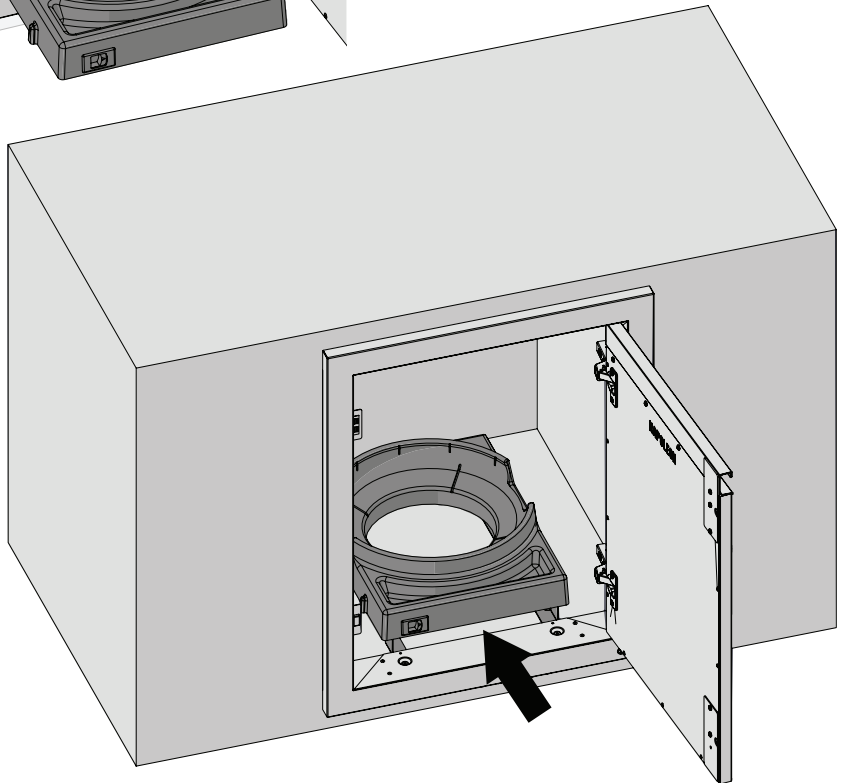
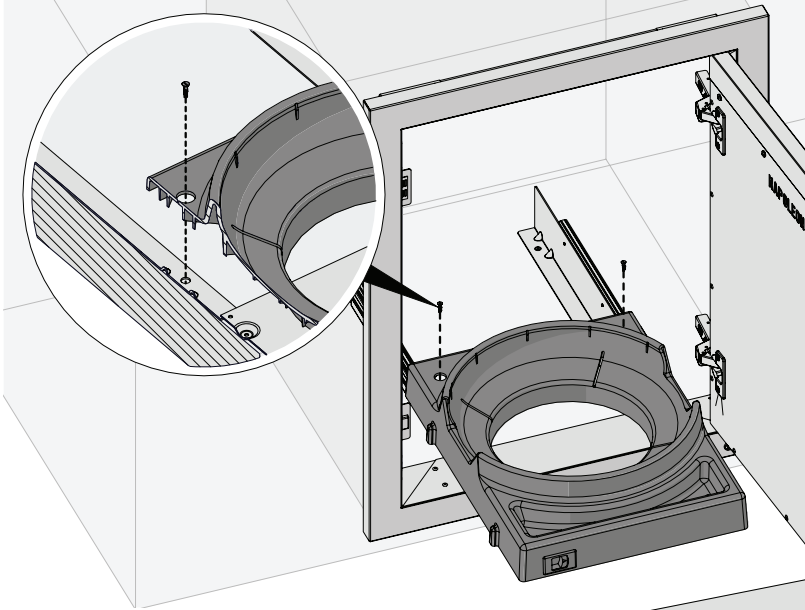
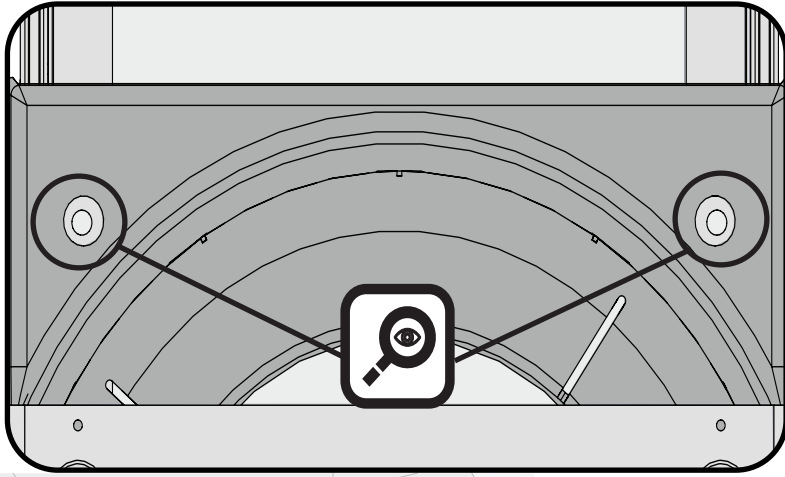




2



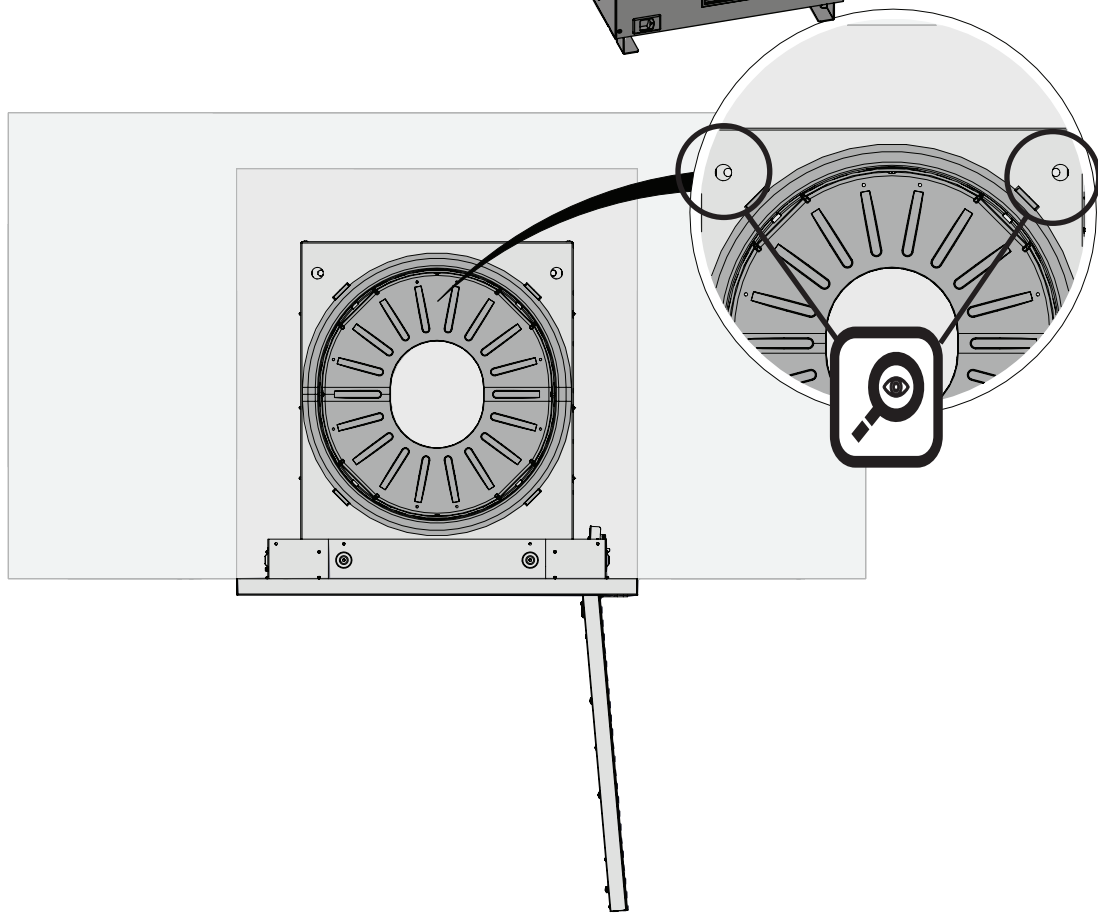
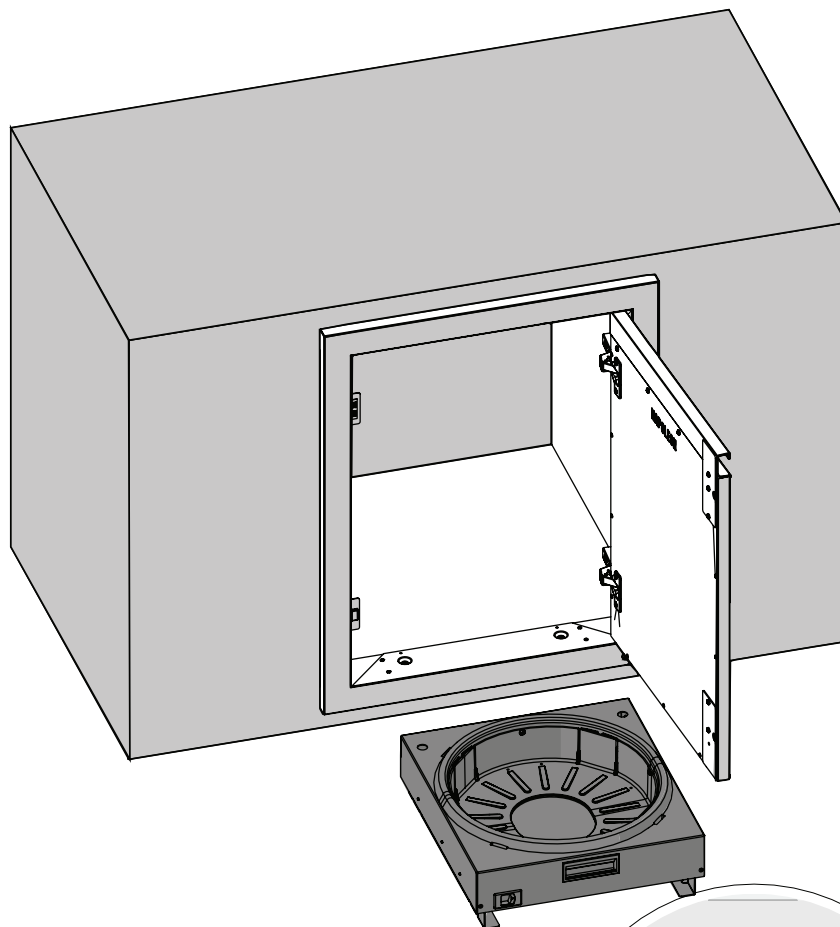
3



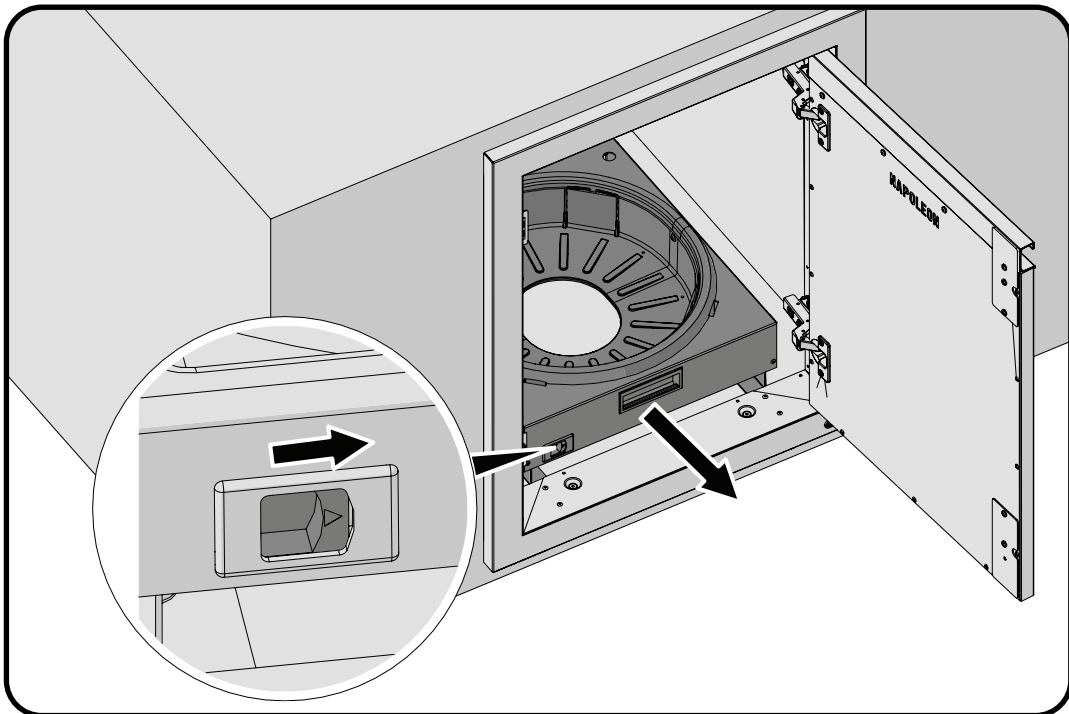
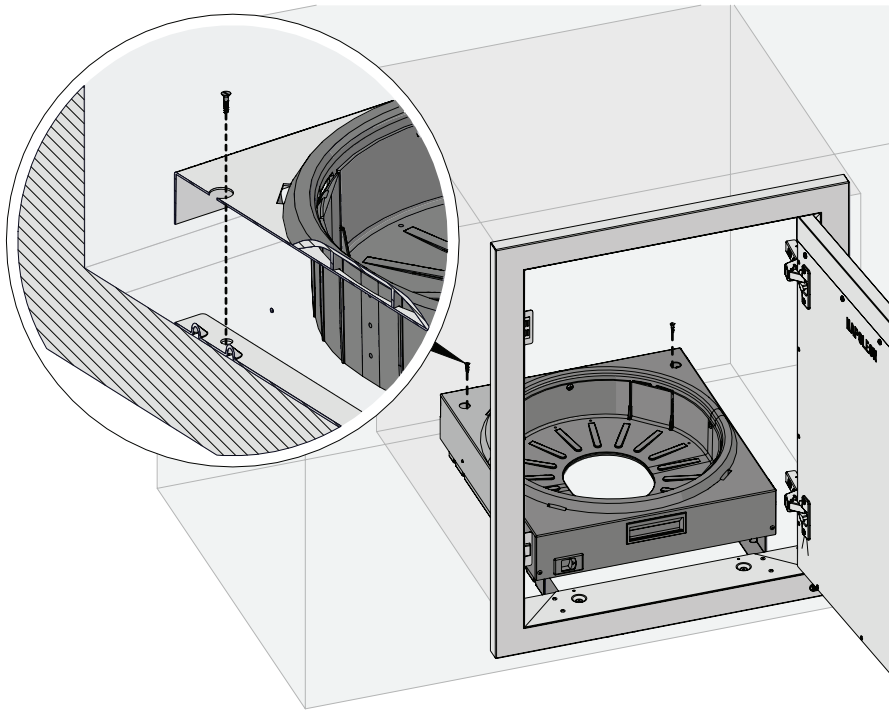


BI-TSK-CE

1

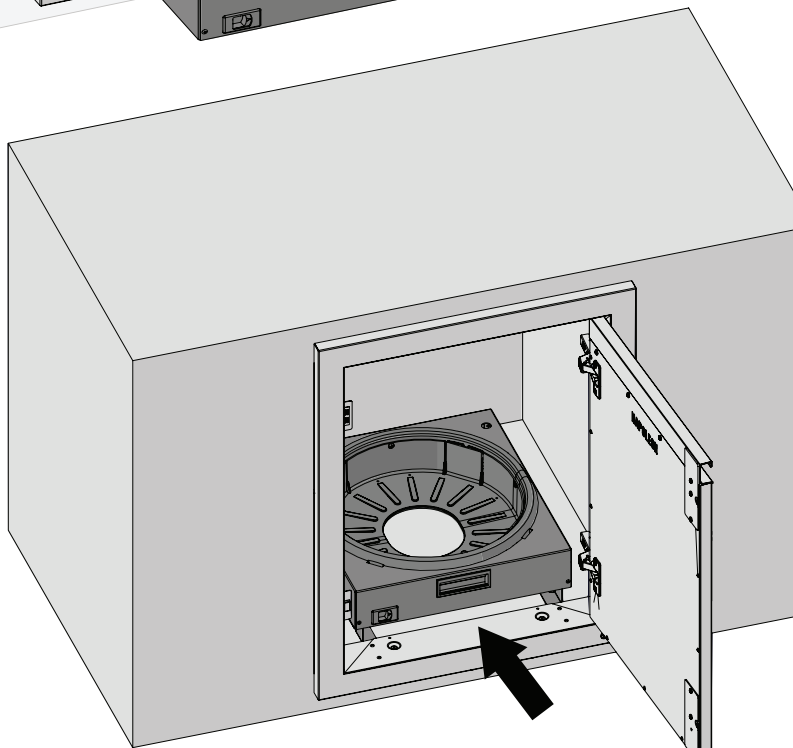
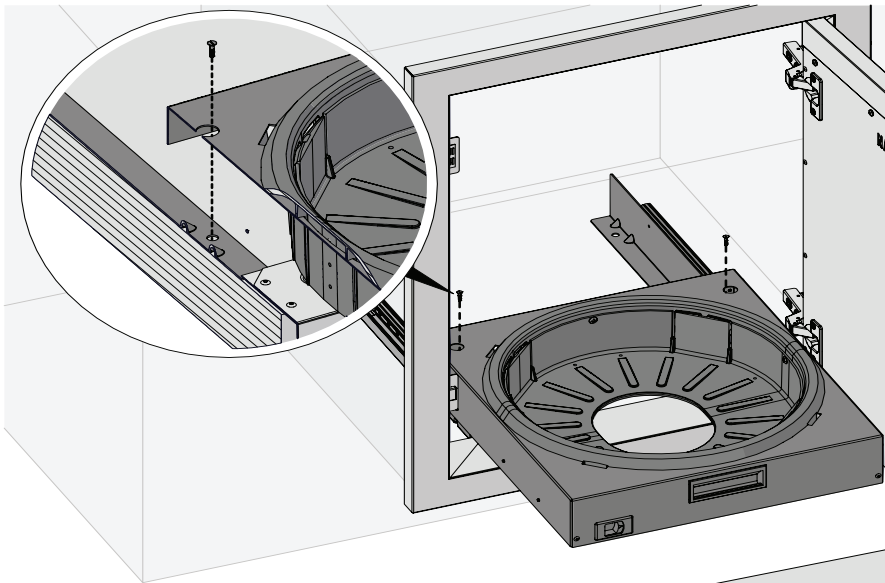
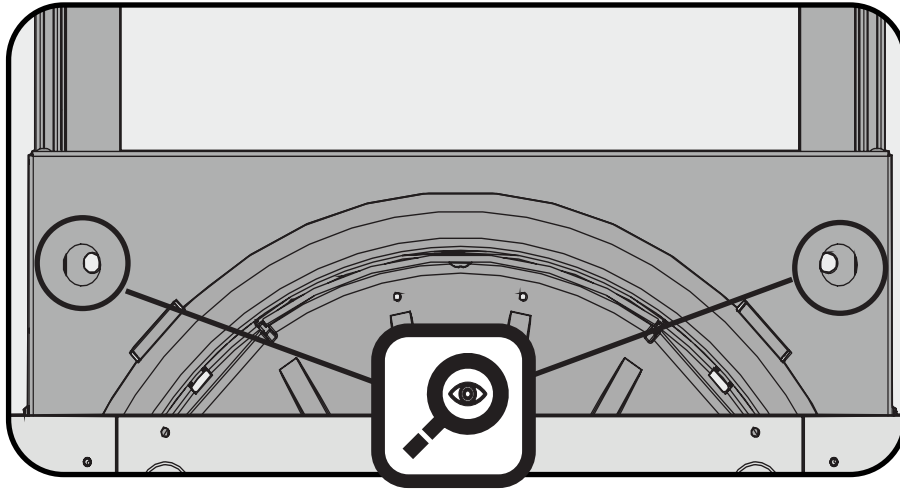


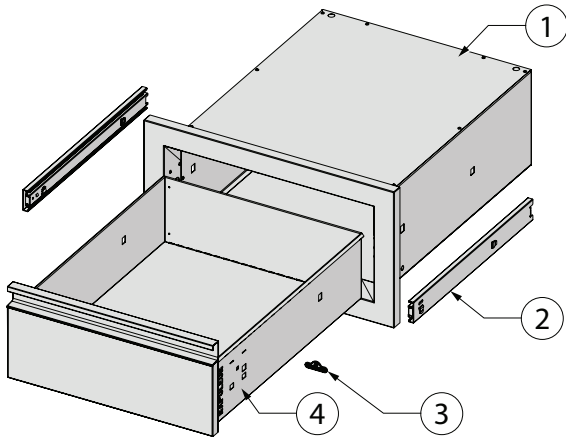
2



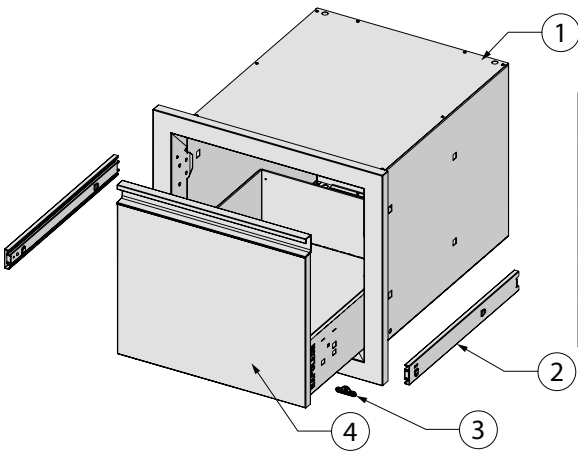


3

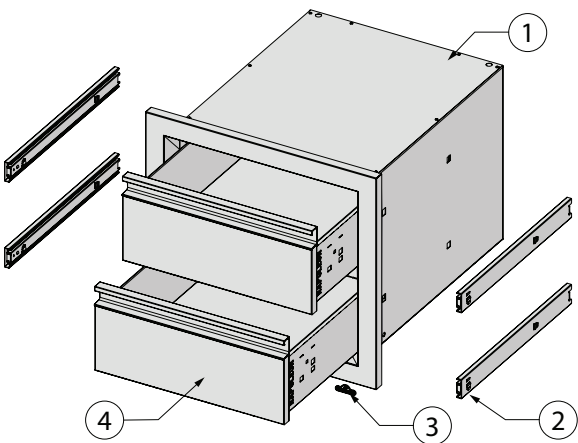




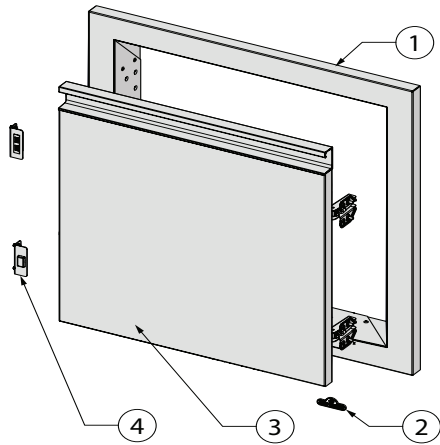
#	Part #	Description	BI-1808-1DR
1	N010-0163	DRAWER HOUSING ASSEMBLY 18" x 8"	x
2	N610-0013	SLIDES 45kg	x
3	W385-2010	NAPOLEON LOGO	x
4	N010-1062	DRAWER ASSEMBLY 18" x 8"	x



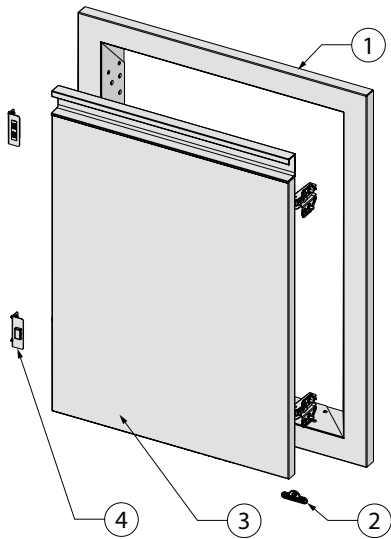
#	Part #	Description	BI-1816-1DR
1	N010-1064	DRAWER HOUSING ASSEMBLY, 18" x 16"	x
2	N610-0013	SLIDES 45kg	x
3	W385-2010	NAPOLEON LOGO	x
4	N010-1065	DRAWER ASSEMBLY 18" x 16"	x



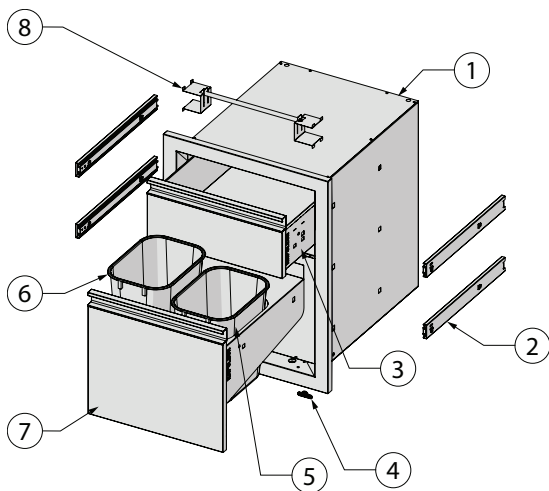
#	Part #	Description	BI-1816-2DR
1	N010-1064	DRAWER HOUSING ASSEMBLY, 18" x 16"	x
2	N610-0013	SLIDES 45kg	x
3	W385-2010	NAPOLEON LOGO	x
4	N010-1062	DRAWER ASSEMBLY 18" x 8"	x



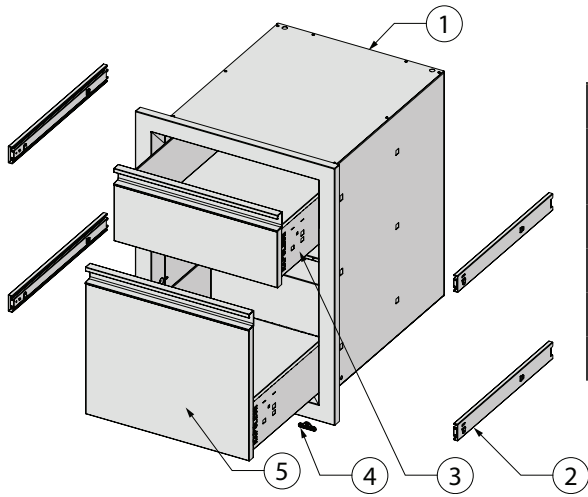
#	Part #	Description	BI-1816-1D
1	N010-1290	DOOR FRAME ASSEMBLY 18" x 16" (REVERSIBLE)	x
2	W385-2010	NAPOLEON LOGO	x
3	N010-1074-SER	DOOR ASSEMBLY 18" x 16" (REVERSIBLE)	x
4	N080-0428-SER	DOOR STOP MAGNET AND BUMPER BRACKET	x



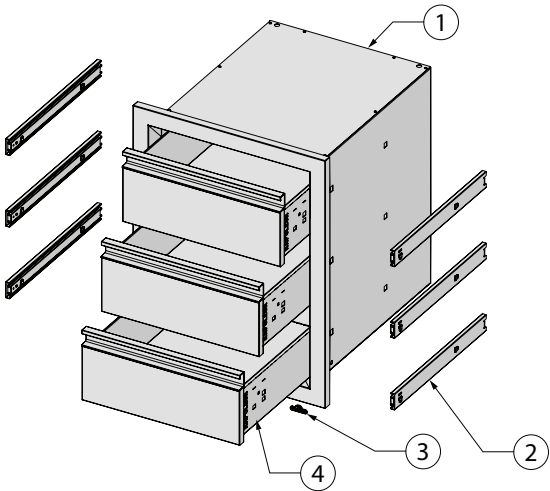
#	Part #	Description	BI-1824-1D
1	N010-1071	DOOR FRAME ASSEMBLY 18" x 24" (REVERSIBLE)	x
2	W385-2010	NAPOLEON LOGO	x
3	N010-1070-SER	DOOR ASSEMBLY 18" x 24" (REVERSIBLE)	x
4	N080-0428-SER	DOOR STOP MAGNET AND BUMPER BRACKET	x



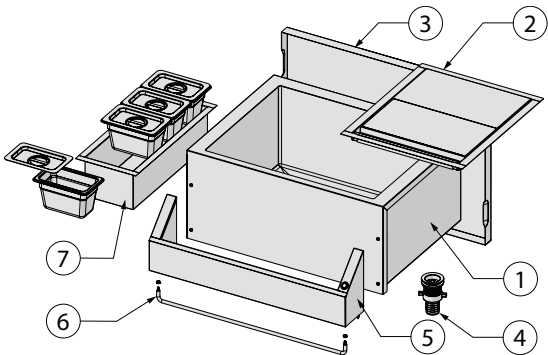
#	Part #	Description	BI-1824-1W
1	N010-1066	DRAWER HOUSING ASSEMBLY 18" x 24"	x
2	N610-0013	SLIDES 45kg	x
3	N010-1062	DRAWER ASSEMBLY 18" x 8"	x
4	W385-2010	NAPOLEON LOGO	x
5	N185-0006-BL	BLUE WASTE BIN	x
6	N185-0006-GY	GREY WASTE BIN	x
7	N010-1067	WASTE DRAWER ASSEMBLY 18" x 8"	x
8	N555-0093-SER	PAPER TOWEL ASSEMBLY	x



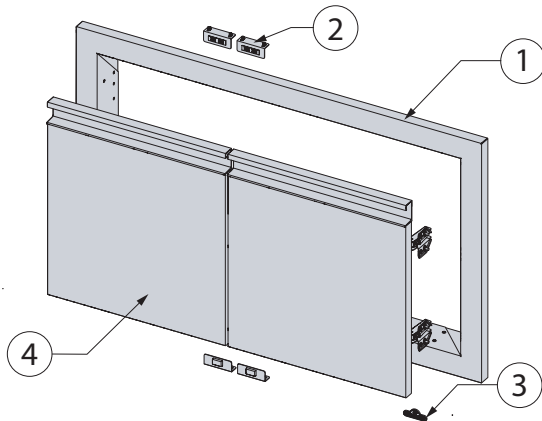
#	Part #	Description	BI-1824-2DR
1	N010-1066	DRAWER HOUSING ASSEMBLY 18" x 24"	x
2	N610-0013	SLIDES 45kg	x
3	N010-1062	DRAWER ASSEMBLY 18" x 8"	x
4	W385-2010	NAPOLEON LOGO	x
5	N010-1065	DRAWER ASSEMBLY 18" x 16"	x



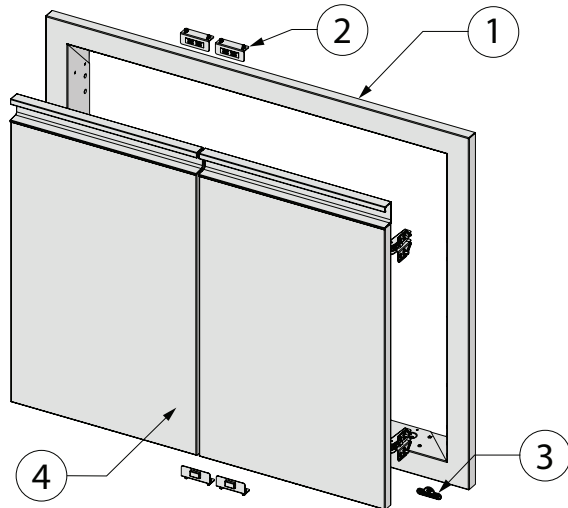
#	Part #	Description	BI-1824-3DR
1	N010-1066	DRAWER HOUSING ASSEMBLY, 18" x 24"	x
2	N610-0013	SLIDES 45kg	x
3	W385-2010	NAPOLEON LOGO	x
4	N010-1062	DRAWER ASSEMBLY, 18" x 8"	x



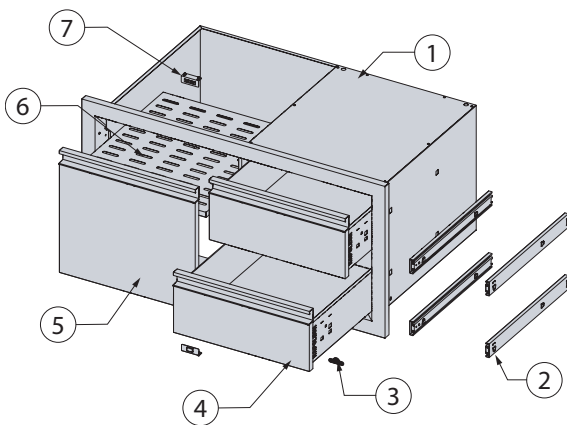
#	Part #	Description	BI-2418-BEV
1	N010-1082	BEVERAGE CENTER SINK	x
2	N010-1080-SER	INSULATED LID	x
3	N705-0048	UNIT COVER	x
4	N490-0001-SER	DRAIN	x
5	N710-0113-SER	BOTTLE TRAY	x
6	N555-0094-SER	TOWEL BAR	x
7	N010-1079-SER	CONDIMENT TRAY	x



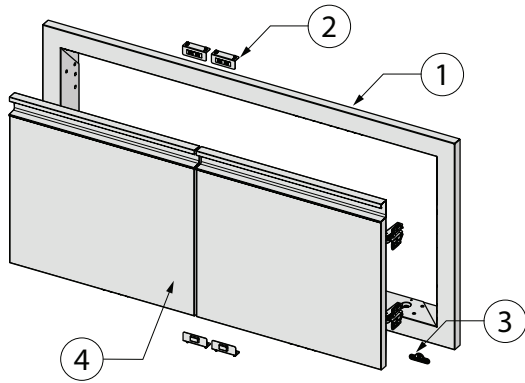
#	Part #	Description	BI-3016-2D
1	N010-1404	DOUBLE DOOR ASSEMBLY, 30" X 16"	x
2	N080-0428-SER	BRACKET, DOOR STOP MAGNET AND BUMPER	x
3	W385-2010	NAPOLEON LOGO	x
4	N010-1405	ASSEMBLY, DOOR 15" X 16"	x



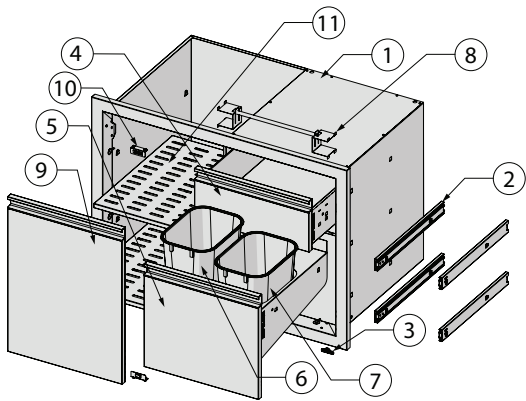
#	Part #	Description	BI-3024-2D
1	N010-1073	DOUBLE DOOR ASSEMBLY, 30" x 24"	x
2	N080-0428-SER	BRACKET, DOOR STOP MAGNET AND BUMPER	x
3	W385-2010	NAPOLEON LOGO	x
4	N010-1072-SER	ASSEMBLY, DOOR 15" x 24" (REVERSIBLE)	x



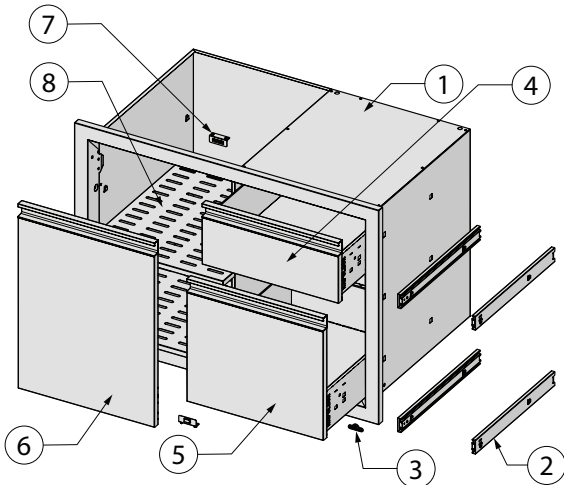
#	Part #	Description	BI-3616-1D2DR
1	N010-1406	COMBO FRAME ASSEMBLY, 36" X 16"	x
2	N610-0013	SLIDES, 45KG	x
3	W385-2010	NAPOLEON LOGO	x
4	N010-1062	DRAWER ASSEMBLY, 18" X 8"	x
5	N010-1074-SER	DOOR ASSEMBLY, 18" X 16"	x
6	N590-0307	COMBO SHELF, 36"	x
7	N080-0428-SER	BRACKET, DOOR STOP MAGNET AND BUMPER	x



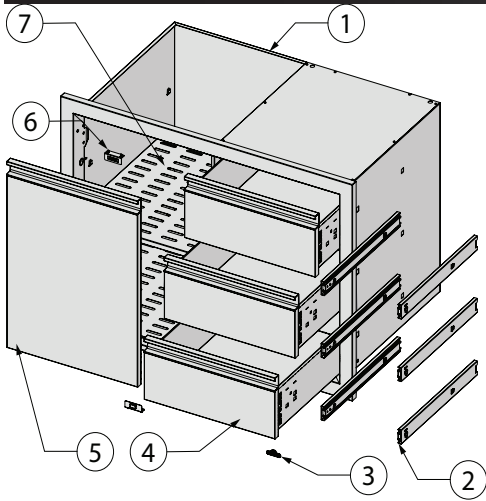
#	Part #	Description	BI-3616-2D
1	N010-1075	DOUBLE DOOR FRAME ASSEMBLY, 36" x 16"	x
2	N080-0428-SER	DOOR STOP MAGNET AND BUMPER BRACKET	x
3	W385-2010	NAPOLEON LOGO	x
4	N010-1074-SER	DOOR ASSEMBLY, 18" x 16" (REVERSIBLE)	x



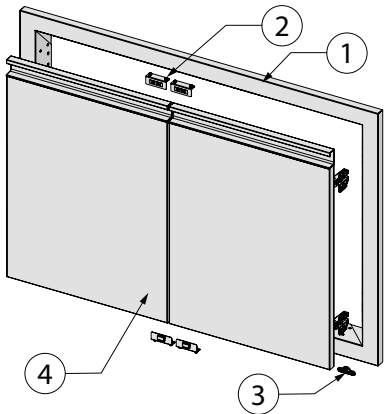
#	Part #	Description	BI-3624-1D1W
1	N010-1077	COMBO FRAME ASSEMBLY 36" x 24"	x
2	N610-0013	SLIDES 45kg	x
3	W385-2010	NAPOLEON LOGO	x
4	N010-1062	DRAWER ASSEMBLY 18" x 8"	x
5	N010-1067	WASTE BIN DRAWER ASSEMBLY 18" x 16"	x
6	N185-0006-BL	BLUE WASTE BIN	x
7	N185-0006-GY	BLACK WASTE BIN	x
8	N555-0093-SER	PAPER TOWEL ROD	x
9	N010-1070-SER	DOOR ASSEMBLY, 18" x 24" (REVERSIBLE)	x
10	N080-0428-SER	DOOR STOP MAGNET AND BUMPER BRACKET	x
11	N590-0307	COMBO SHELF, 36"	x



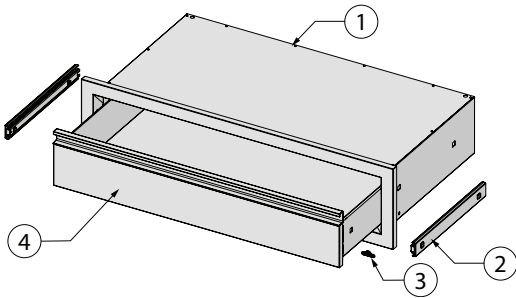
#	Part #	Description	BI-3624-1D2DR
1	N010-1077	COMBO FRAME ASSEMBLY, 36" x 24"	x
2	N610-0013	SLIDES 45kg	x
3	W385-2010	NAPOLEON LOGO	x
4	N010-1062	DRAWER ASSEMBLY, 18" x 8"	x
5	N010-1065	DRAWER ASSEMBLY, 18" x 16"	x
6	N010-1070-SER	DOOR ASSEMBLY, 18" x 24" (REVERSIBLE)	x
7	N080-0428-SER	DOOR STOP MAGNET AND BUMPER BRACKET	x
8	N590-0307	COMBO SHELF, 36"	x



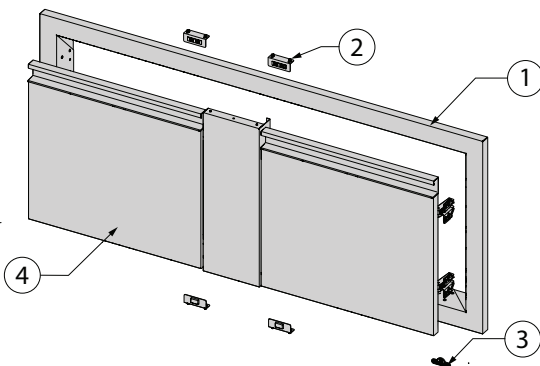
#	Part #	Description	BI-3624-1D3DR
1	N010-1077	COMBO FRAME ASSEMBLY, 36" x 24"	x
2	N610-0013	SLIDES 45kg	x
3	W385-2010	NAPOLEON LOGO	x
4	N010-1062	DRAWER ASSEMBLY, 18" x 8"	x
5	N010-1070-SER	DOOR ASSEMBLY, 18" x 24" (REVERSIBLE)	x
6	N080-0428-SER	DOOR STOP MAGNET AND BUMPER BRACKET	x
7	N590-0307	COMBO SHELF, 36"	x



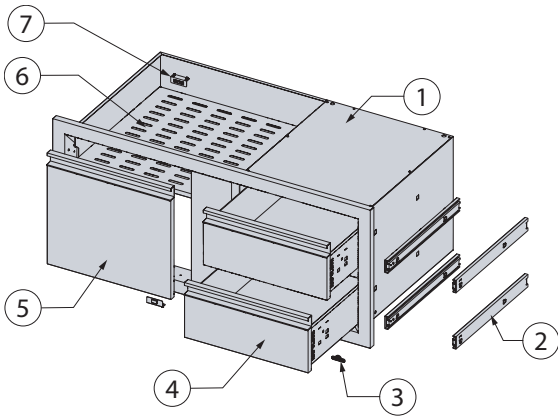
#	Part #	Description	BI-3624-2D
1	N010-1076	DOUBLE DOOR FRAME ASSEMBLY, 36" x 24"	x
2	N080-0428-SER	DOOR STOP MAGNET AND BUMPER BRACKET	x
3	W385-2010	NAPOLEON LOGO	x
4	N010-1070-SER	DOOR ASSEMBLY, 18" x 24" (REVERSIBLE)	x



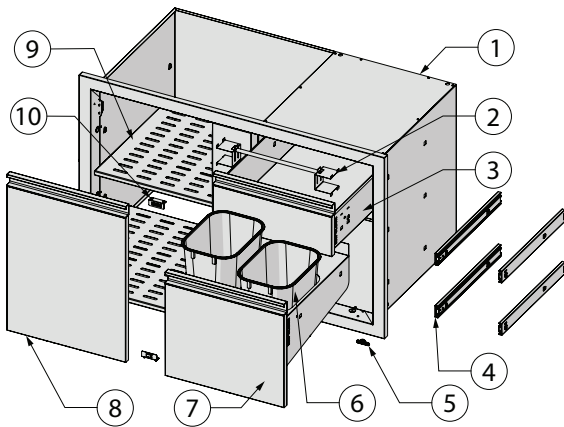
#	Part #	Description	BI-4208-1DR
1	N010-1068	DRAWER HOUSING ASSEMBLY, 42" x 8"	x
2	N610-0014	SLIDES 90kg	x
3	W385-2010	NAPOLEON LOGO	x
4	N010-1069	DRAWER ASSEMBLY, 42" x 8"	x



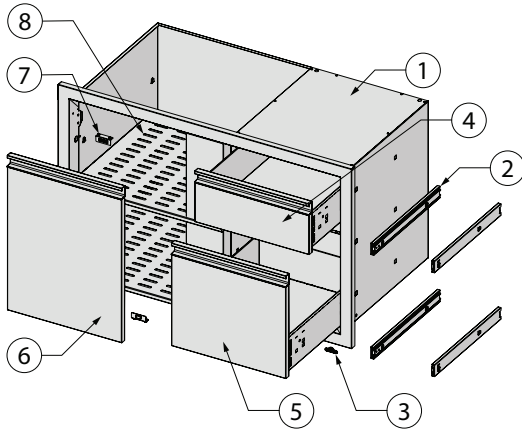
#	Part #	Description	BI-4216-2D
1	N010-1408	ASSEMBLY, DOOR FRAME 42 X 16	x
2	N080-0428-SER	DOOR STOP MAGNET AND BUMPER BRACKET	x
3	W385-2010	NAPOLEON LOGO	x
4	N010-1074-SER	DOOR ASSEMBLY, 18" x 16"	x



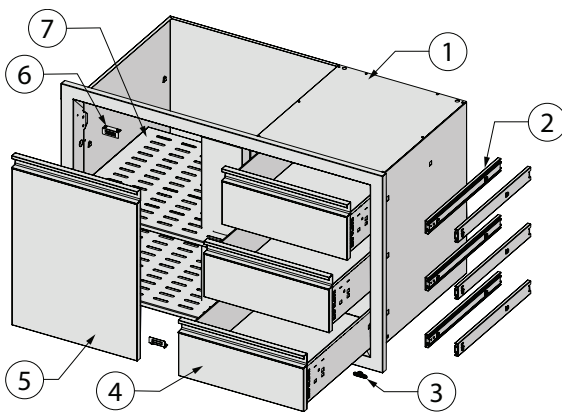
#	Part #	Description	BI-4216-1D2DR
1	N010-1407	COMBO FRAME ASSEMBLY, 42" x 16"	x
2	N610-0013	SLIDES 45kg	x
3	W385-2010	NAPOLEON LOGO	x
4	N010-1062	DRAWER ASSEMBLY, 18" x 8"	x
5	N010-1074-SER	DOOR ASSEMBLY, 18" x 16"	x
6	N590-0308	COMBO SHELF, 42"	x
7	N080-0428-SER	DOOR STOP MAGNET AND BUMPER BRACKET	x



#	Part #	Description	BI-4224-1D1W
1	N010-1078	COMBO FRAME ASSEMBLY, 42" x 24"	x
2	N555-0093-SER	PAPER TOWEL ROD	x
3	N010-1062	DRAWER ASSEMBLY, 18" x 8"	x
4	N610-0013	SLIDES 45kg	x
5	W385-2010	NAPOLEON LOGO	x
6	N185-0006-BL	BLUE WASTE BIN	x
	N185-0006-GY	GREY WASTE BIN	x
7	N010-1067	WASTE BIN DRAWER ASSEMBLY 18" x 16"	x
8	N010-1070-SER	DOOR ASSEMBLY, 18" x 24" (REVERSIBLE)	x
9	N590-0308	COMBO SHELF, 42"	x
10	N080-0428-SER	DOOR STOP MAGNET AND BUMPER BRACKET	x



#	Part #	Description	BI-4224-1D2DR
1	N010-1078	COMBO FRAME ASSEMBLY, 42" x 24"	x
2	N610-0013	SLIDES 45kg	x
3	W385-2010	NAPOLEON LOGO	x
4	N010-1062	DRAWER ASSEMBLY, 18" x 8"	x
5	N010-1065	DRAWER ASSEMBLY, 18" x 16"	x
6	N010-1070-SER	DOOR ASSEMBLY, 18" x 24" (REVERSIBLE)	x
7	N080-0428-SER	DOOR STOP MAGNET AND BUMPER BRACKET	x
8	N590-0308	COMBO SHELF, 42"	x



#	Part #	Description	BI-4224-1D3DR
1	N010-1078	COMBO FRAME ASSEMBLY, 42" x 24"	x
2	N610-0013	SLIDES 45kg	x
3	W385-2010	NAPOLEON LOGO	x
4	N010-1062	DRAWER ASSEMBLY, 18" x 8"	x
5	N010-1070-SER	DOOR ASSEMBLY, 18" x 24" (REVERSIBLE)	x
6	N080-0428-SER	DOOR STOP MAGNET AND BUMPER BRACKET	x
7	N590-0308	COMBO SHELF, 42"	x