



BUILT-IN SERIES

Owner's Manual BIB18, BIB12 & BIB10 BI12 & BI10

Apply Serial Number

Have access to the entire overview of the
Built-In Series
Visit: <https://www.napoleon.com>

Please read this Owner's Manual before using the appliance to avoid property damage, personal injury, or death.
OUTDOOR GAS BARBECUE. USE OUTDOORS ONLY IN A WELL-VENTILATED SPACE.

DANGER!

IF YOU SMELL GAS:

- Shut off gas to the appliance
- Extinguish any open flame
- Open lid
- If odor continues, keep away from the appliance and immediately call your gas supplier, or fire department.



WARNING!

Do not try to light this appliance without reading the "LIGHTING" instructions section of this manual

Do not store or use gasoline, or other flammable liquids or vapors in the vicinity of this or any other appliance

A gas cylinder not connected for use must not be stored in the vicinity of this or any other appliance

If the information in these instructions is not followed exactly, a fire or explosion may result and cause property damage, personal injury, or death



Alert adults and children about the hazard of hot surface temperatures. Accessible parts may be very hot. Keep young children away.
NOTICE TO INSTALLER: Leave these instructions with the grill owner for future reference.
NOTICE TO CONSUMER: Keep these instructions for future reference.



WARNING! General Information

This grill should be installed in conformity with local codes.



WARNING! Installation & Assembly

Perform the required Leak Test before operating the grill. Do not modify this grill under any circumstances.



WARNING! Storage & Disuse

Turn off gas at the supply valve. Disconnect the hose between the gas cylinder and grill. Remove the gas cylinder and store outdoors in a well-ventilated space away from children.

DO NOT store gas cylinders in a building, garage, shed, or any other enclosed space.



WARNING! Correct Product Disposal

This marking indicates that this product should not be disposed with other household wastes throughout the EU. To prevent possible harm to the environment or human health from uncontrolled waste disposal, recycle it responsibly to promote the sustainable reuse of material resources. To return your used device, please use the return and collection systems or contact the retailer where the product was purchased. They can take this product for environmental safe recycling.



IMPORTANT! Damage resulting from by failure to follow these instructions is NOT covered by your grill warranty.



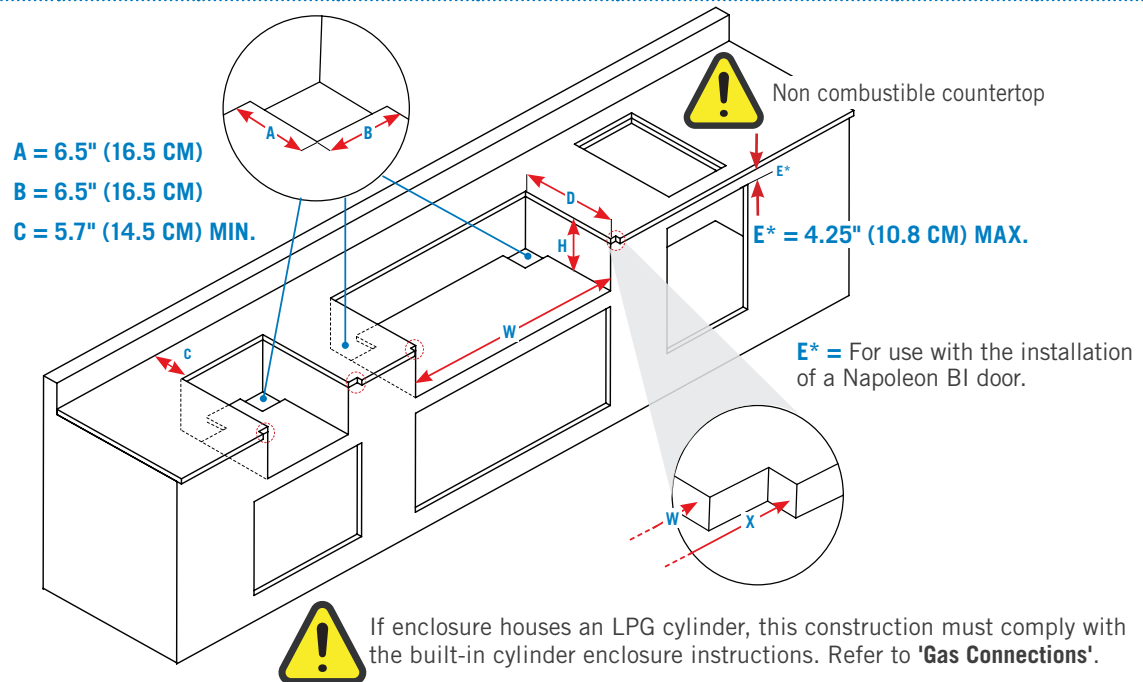
Getting Started

ADDITIONAL SAFE OPERATING PRACTICES

- Do not route the hose underneath the drip pan. Maintain proper hose clearance to the bottom of the unit.
- Burner controls must be off when turning the gas supply valve on.
- Do not light burners with the lid closed.
- Do not close the side burner lid when operating or hot.
- Do not deep fry food on the side burner.
- Do not adjust the cooking grids when operating or hot.
- Do not move the appliance during use.
- Turn off the gas supply at the gas cylinder after use.
- Do not modify the appliance.
- Maintenance should only be done when the grill is cool.
- Keep all electrical supply cords and fuel supply hoses away from all heated surfaces.
- Clean the grease tray, and drip pan regularly to avoid build-up and grease fires.
- Keep the infrared burner and main burner venturi tubes free from spider webs and other obstructions by inspecting and cleaning it regularly.
- Do not operate appliance under any combustible construction.
- Never cover more than 75% of the cooking surface with solid metal.
- This appliance must be kept away from flammable materials while in use.
- Always maintain a minimum wall distance to combustibles of 17" (431mm) to the rear and 9" (228.6mm) to the sides.
- Always maintain a minimum distance of 17" (431mm) between other additional appliances.

CUT-OUT DIMENSIONS

| MODEL | | OPENING DIMENSIONS (INCH / CM) | | | | OPENING DIMENSIONS (INCH / CM) INSTALLING ZERO CLEARANCE LINER | | | |
|--------------|------|--------------------------------|--------------|--------------|--------------|---|--------------|--------------|--------------|
| | | W | X | D | H | W | X | D | H |
| BIB18 | Min. | 18 / 45.7 | 21.50 / 54.6 | 19.4 / 49.3 | 10.25 / 26.0 | 22 / 55.9 | 23.38 / 59.4 | 21.38 / 54.3 | 10.38 / 26.4 |
| | Max. | 20 / 50.8 | - | 19.75 / 50.2 | - | - | -- | - | - |
| BIB12 / B112 | Min. | 12 / 30.5 | 15.50 / 39.4 | 19.4 / 49.3 | 10.25 / 26.0 | 16 / 40.6 | 17.38 / 44.1 | 21.38 / 54.3 | 10.38 / 26.4 |
| | Max. | 14 / 35.6 | - | 19.75 / 50.2 | - | - | - | - | - |
| BIB10 / B110 | Min. | 10 / 25.4 | - | 18.75 / 47.6 | 6 / 15.2 | - | - | - | - |
| | Max. | 12 / 30.5 | - | 20.75 / 52.7 | - | - | - | - | - |



WARNING! The cabinet frame and the cabinet MUST be made from non-combustible material when the appliance is not installed with the Zero Clearance Liner corresponding to your unit. Refer to the parts list in your Assembly Guide for specific information. **NOTE:** Not all models have a Zero Clearance Liner.

GAS CONNECTIONS

Gas Cylinder

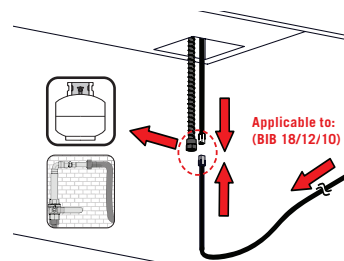
This grill is equipped with an internal regulator that must not be modified or adjusted. Use a propane cylinder of minimum 6 kg or a butane cylinder of 13 kg constructed and marked in accordance with national and regional codes.

Only cylinders connected to the appliance may be stored in the enclosure. Only place cylinders within the maximum width and height dimensions in the built-in enclosure. Spare cylinders must not be stored in the enclosure, or in close proximity with an operating unit.

Gas Hose

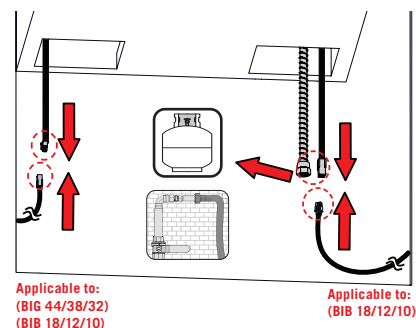
Use a gas pressure regulator and hose supplied by Napoleon; if not included, use a regulator and hose that meet national and regional codes. The hose must never be longer than 1.5 m. Check the hose regularly for rips melting or wear. Replace if needed.

Note: The hose should be replaced before the expiry date printed on it.



Hook-up and Installation

1. Check the cylinder for dents or rust, and have it inspected by your propane supplier. Never use a cylinder with a damaged valve.
2. Place the cylinder in its designated area in the enclosure.
3. Ensure the gas regulator hose has no twists or kinks.
4. Remove the cap or plug from the cylinder fuel valve.
5. Tighten the regulator to the cylinder valve.
6. Ensure the cylinder is not left exposed to extreme heat or direct sunlight.
7. Leak test all joints prior to operating the grill. See “Leak Test”.

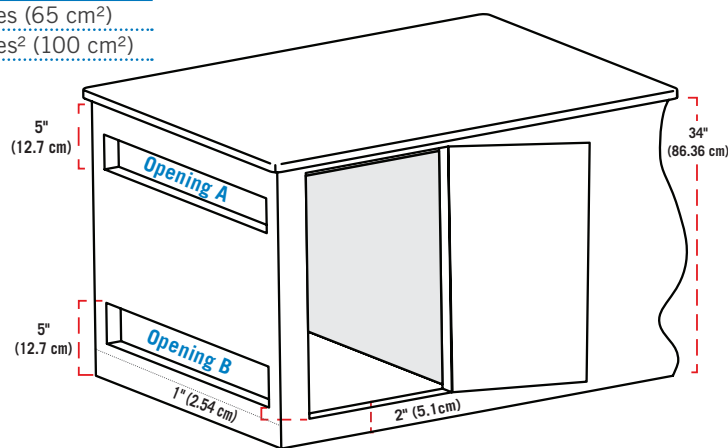
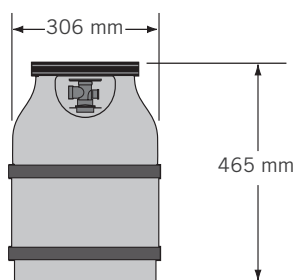


Built-in Enclosure

- The design of the enclosure should allow for the gas cylinder to be connected, disconnected, and the connections inspected and tested outside of it. The connections that could possibly be disturbed when installing the cylinder in the enclosure can be leak tested inside.
- The cylinder must be isolated from the grill enclosure, and protected from radiation, flames, hot drippings, and other foreign or hazardous materials.
- Do not obstruct the flow of ventilation and combustion air.
- Keep the cylinder enclosure ventilation openings clear from debris around all sides of the enclosure.
- A door on the enclosure to access the cylinder is acceptable if it is non-locking and can be opened without using tools.
- Ensure there are at least two unobstructed ventilation openings on the exposed exterior side of enclosure, one within 5 inches (12.7 cm) of the top of the enclosure, and another within 1 inch (2.54 cm) of the cylinder opening's bottom surface.
- The opening must have a free area depending on the cylinder size:

| Cylinder size | Opening A area | Opening B area |
|-----------------|---|---|
| 20 lb (9.1 kg) | 20 inches ² (130 cm ²) | 10 inches (65 cm ²) |
| 30 lb (13.6 kg) | 30 inches ² (195 cm ²) | 15 inches ² (100 cm ²) |

Maximum Cylinder Dimensions



CAUTION! Ensure the hoses do not contact any high temperature surfaces of the grill.



LEAK TEST

If you find a leak

1. Tighten any loose joints.
2. If the leak cannot be stopped, immediately shut off the gas supply.
3. Have the grill inspected by a certified installer, or dealer.
4. Do not use the grill until the leak has been fixed.

LIGHTING YOUR GRILL

Side Burner Lighting (if equipped)

1. Open burner cover.
2. Push and slowly turn side burner knob counter clockwise to HIGH position.
3. Press and hold igniter button until the burner lights, or light by match.
4. If the burner will not ignite – turn burner control knob clockwise to the OFF position. Wait 5 minutes. Repeat step 2 and 3.

Lighting with a match

1. Clip the match into the supplied lighting rod.
2. Insert the lit match through the cooking grids and sear plates.
3. While turning the corresponding burner knob to high.

Flame Side Burner (if equipped)

The recommended pot or pan diameter is 10" (25 cm).

Cleaning and Maintenance Instructions

Stainless Steel Grids

- Stainless steel cooking grids can be cleaned by preheating the grill and using a wire brush to remove residue.
- Stainless steel grids will permanently discolor from regular use because of high temperatures when grilling.

Infrared Side Burner

- Do not clean the ceramic tile with a wire brush.
- Do not use water or other liquids to clean the ceramic tile. An immediate change in temperature will cause cracking

Drip Pan

- Clean frequently to avoid grease build-up – approximately every 4-5 uses.

Control Panel

- ONLY use warm soapy water.
- Text is printed directly on the control panel and will gradually rub off if abrasive or stainless steel cleaners are used.
- Proper cleaning of the control panel will ensure the text remains dark and legible.

WARNING! A leak test must be performed annually and when any component of the gas train is replaced, or when the smell of gas is present.

WARNING! Never use an open flame to check for gas leaks. Sparks or flames will cause a fire, explosion, damage to property, serious physical injury, or death.

WARNING! Never grill food directly on the flame side burner. It is designed for use with pots and pans only.

WARNING! Always wear protective gloves and safety glasses when cleaning your grill.

WARNING! It is very important the valve/orifice enters the burner tube when reinstalling the burner after cleaning and before lighting your grill, or a fire or explosion could occur.



Orifice Sizes

The following table lists the orifice size corresponding to each burner. Use this as reference when servicing the grill.

| | | MAIN |
|-------------------------|-------------|--------|
| BIB10RT / BI10RT | Propane | #64 |
| | Natural gas | #55 |
| BIB10IR | Propane | #64 |
| | Natural gas | 1.27mm |
| BIB12RT / BI12RT | Propane | 1.2mm |
| | Natural gas | 1.7mm |
| BIB18RT | Propane | 1.2mm |
| | Natural gas | 1.7mm |
| BIB18IR | Propane | 1.15mm |
| | Natural gas | #52 |
| BIB18PB (outer ring) | Propane | 1.75mm |
| | Natural gas | 2.4mm |
| BIB18PB (inner ring) | Propane | 1.4mm |
| | Natural gas | 2.05mm |

Built-In Series Overview

To access more information on:

- Cut out dimensions
- Cleaning
- Maintenance
- Warranty

Visit <https://www.napoleon.com> for the complete overview of the Napoleon **Built-In Series**.