

**24 INCH COUNTER DEPTH 11.43 cu. ft. BOTTOM FREEZER REFRIGERATOR****BRFB1045WH****Duo-Cycle Cooling**

Ingenious Blomberg refrigerators are equipped with advanced multi-cycle, no-frost, silent cooling technology. Independently zoned and controlled cooling systems maintain even air temperature and humidity in separate freezer and fresh-food compartments, delivering enhanced food preservation and maximum energy efficiency. No air transfer between compartments means food in the freezer section freezes faster, items in the refrigerator stay fresher longer, and odors don't circulate.

Freezer Storage Bins

Four separate freezer storage bins with glass shelving under bins. When a freezer storage bin is removed, a fully functional glass shelf is under the bin, providing more flexible storage options.

Interior LED Lighting

Never forget what's in the refrigerator again! Blomberg brilliantly illuminates every corner with white LED lights for better aesthetics and less energy consumption.

Reversible Door

Field reversible door makes it easier to fit the refrigerator into the kitchen design.

CONTROLS

Cooling System	Duo Cycle No Frost Cooling
Control System	Electronic Control

CAPACITIES

Total Net Volume	11.43 Cu. Ft.
Fresh Food Net Volume	8.08 Cu. Ft.
Freezer Food Net Volume	3.35 Cu. Ft.

REFRIGERATOR FEATURES

Inner Display Type	Digital
Auto Defrost	Yes
Inner Illumination	LED Lighting- Left Wall
Shelves	3 Safety Glass
Crispers	1
Door Racks	3
Door Alarm	Yes
Compressor	Variable Speed
Fan Ventilation	Yes

FREEZER FEATURES

Auto Defrost	Yes
Number of Freezer Drawers	3
Ice Cube Tray	Yes

TECHNICAL INFORMATION

Supply Voltage, V/Hz	120V / 60 Hz
Noise Level	39 dBA

PERFORMANCE

Energy Star Qualified	Yes - Most Efficient 2020
Annual Energy Consumption	286 kWh/year

2020 ENERGY STAR®
Emerging Technology Award

For the Advance Adaptive Compressors which help protect the environment while offering the consumer new ways to save energy while using low GWP refrigerant and foam

Cooling Gas	R600a
-------------	-------

DIMENSIONS

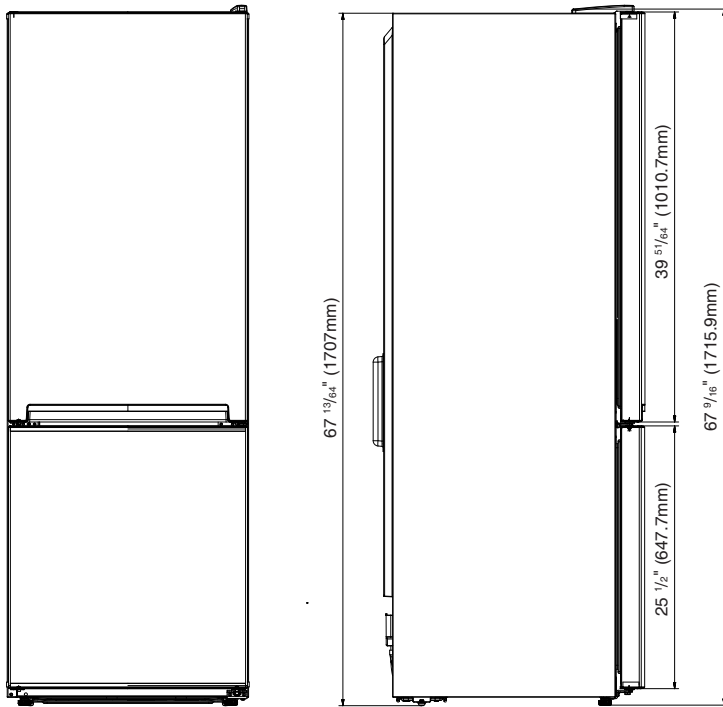
H x W x D (without handles)	67 ⁹ / ₁₆ " x 23 ⁷ / ₁₆ " x 24 ⁷ / ₁₆ " (171.59 x 59.5 x 62 cm)
Product Weight	141 lbs. (64 kg)
Packed Weight	154 lbs. (70 kg)

ENERGY STAR 2020
Emerging Technology Award

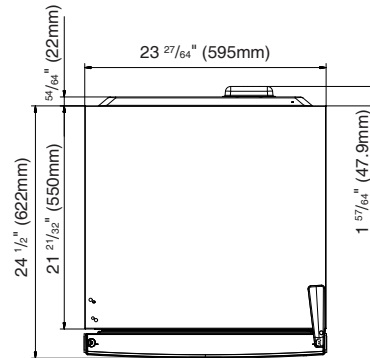
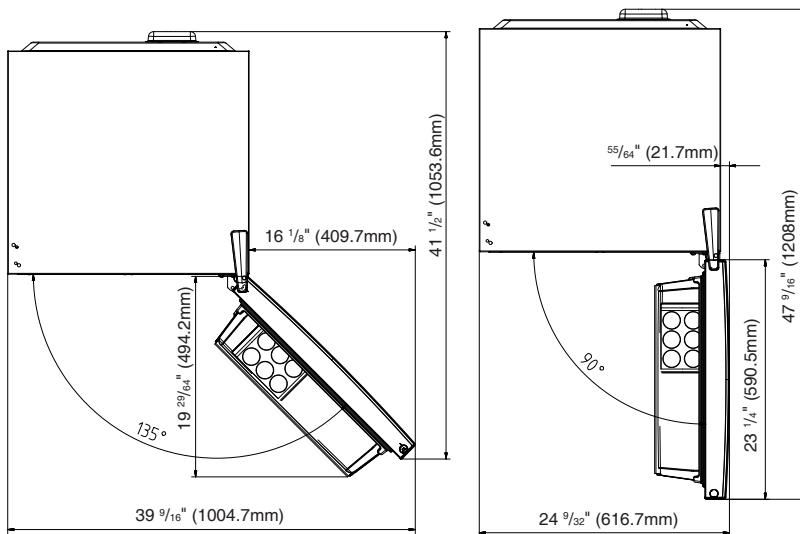
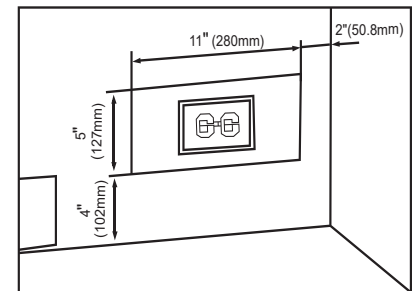
Most Efficient 2020
ENERGY STAR www.energystar.gov

**24 INCH COUNTER DEPTH 11.43 cu. ft. BOTTOM FREEZER REFRIGERATOR**

BRFB1045WH

Dimensions and Installation

DIMENSIONS	
Height to top of door	67 9/16" (1715.9 mm)
Height to top of hinge	67 9/16" (1715.9 mm)
Height to top of case	67 13/64" (1707 mm)
Case depth without door	21 21/32" (550 mm)
Case depth less door handle	24 7/16" (621 mm)
Depth with fresh door open 90°	47 9/16" (1208 mm)
Width	23 7/16" (595mm)
Width with door open 90°	24 9/32" (616.7 mm)
AIR GAP CLEARANCES	
Each Side	1 3/16" (20.3 mm)
Top	1" (25.4 mm)
Back	1" (25.4 mm)

**Electrical**

NOTE TO THE INSTALLER: All height, width and depth dimensions are shown in inches (as well as metric). Beko US Inc. reserves the absolute and unrestricted right to change product materials and specifications, at any time, without notice. Please visit our website www.blombergappliances.com or call 888-352-2356 to verify the latest specifications with final dimensional data and other details prior to installation and making a cutout. Applicable product limited warranty information may be found in accompanying product materials or you may contact your account manager for further details. Proper installation is the responsibility of the installer. Product failure due to improper installation is not covered under the Limited Warranty.